



**Count on it.**

**Parts Catalog**

**Z Master® Professional 7000  
Series Riding Mower**

**With 132cm TURBO FORCE® Side Discharge  
Mower**

Model No. 74264TE—Serial No. 40000000 and Up



# Ordering Replacement Parts

To order replacement parts, please supply the part number, the quantity, and the description of each part desired.

## Understanding Reference Numbers

Each identified part in an illustration has a reference number. The reference number for a part also appears in the parts list, along with other information about the part.

This catalog uses two special reference number formats, one to indicate parts in a service assembly and another to indicate the quantity of a given part in an illustration.

## Service Assembly Reference Numbers

Parts in service assemblies have reference numbers in the form a:b. The a represents the reference number of the entire service assembly and the b represents a sequential number unique to each part within the service assembly.

For example, a wheel assembly might be identified by reference number 6, the tire by 6:1, the valve by 6:2, and the wheel by 6:3. When you order the assembly identified by reference number 6, you receive all parts identified by reference numbers 6:1, 6:2, and 6:3. However, you may also order any part individually. Reference numbers of this type appear in illustration and in parts lists.

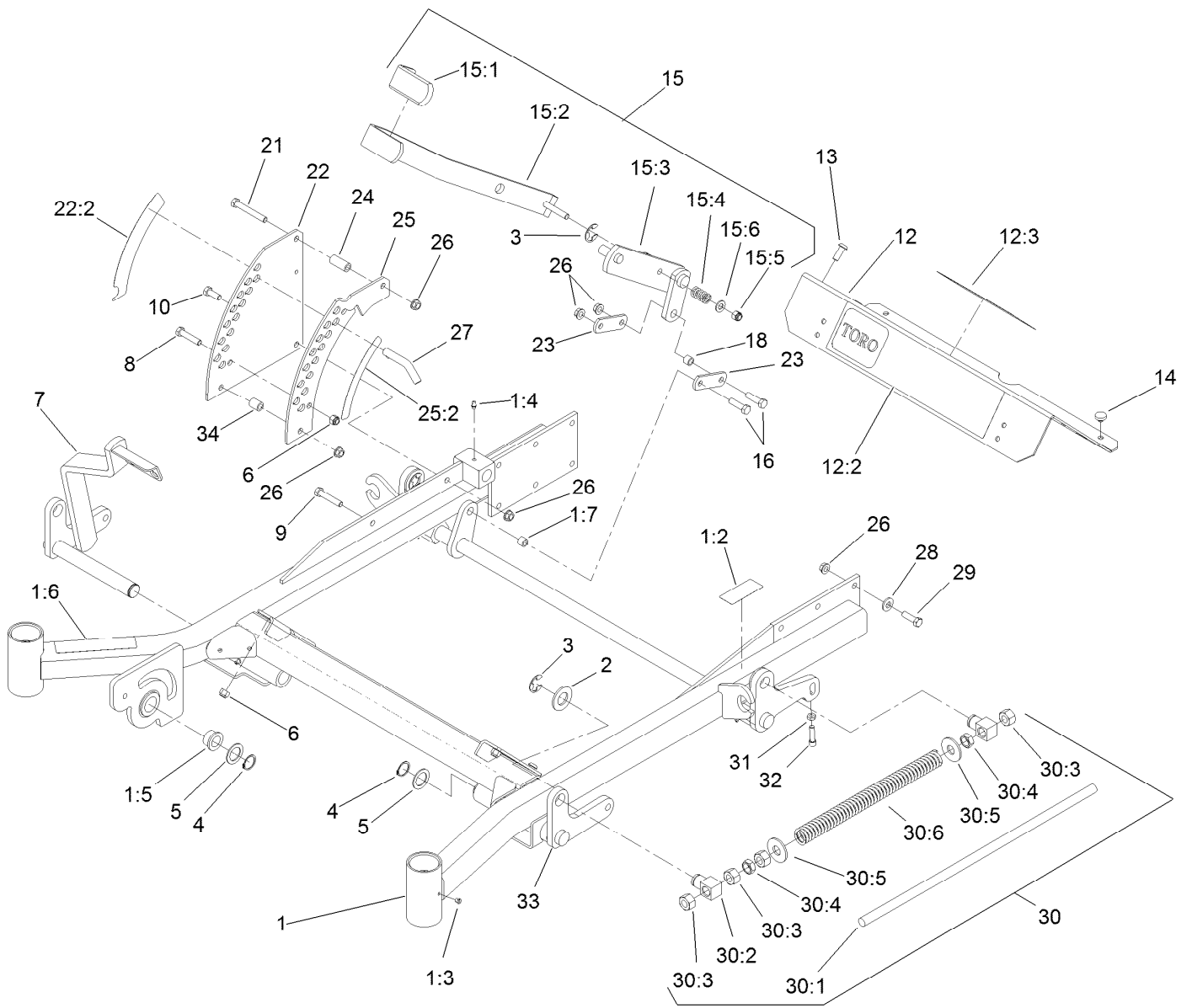
## Reference Numbers Indicating Quantity

In an illustration, if a reference number indicates more than one part, the reference number has the form nX y. The n represents the quantity of the part, the X is the multiplication symbol, and the y represents the reference number.

For example, in an illustration, the reference number 2X 37 means that two of the parts identified by reference number 37 are indicated.

# Contents

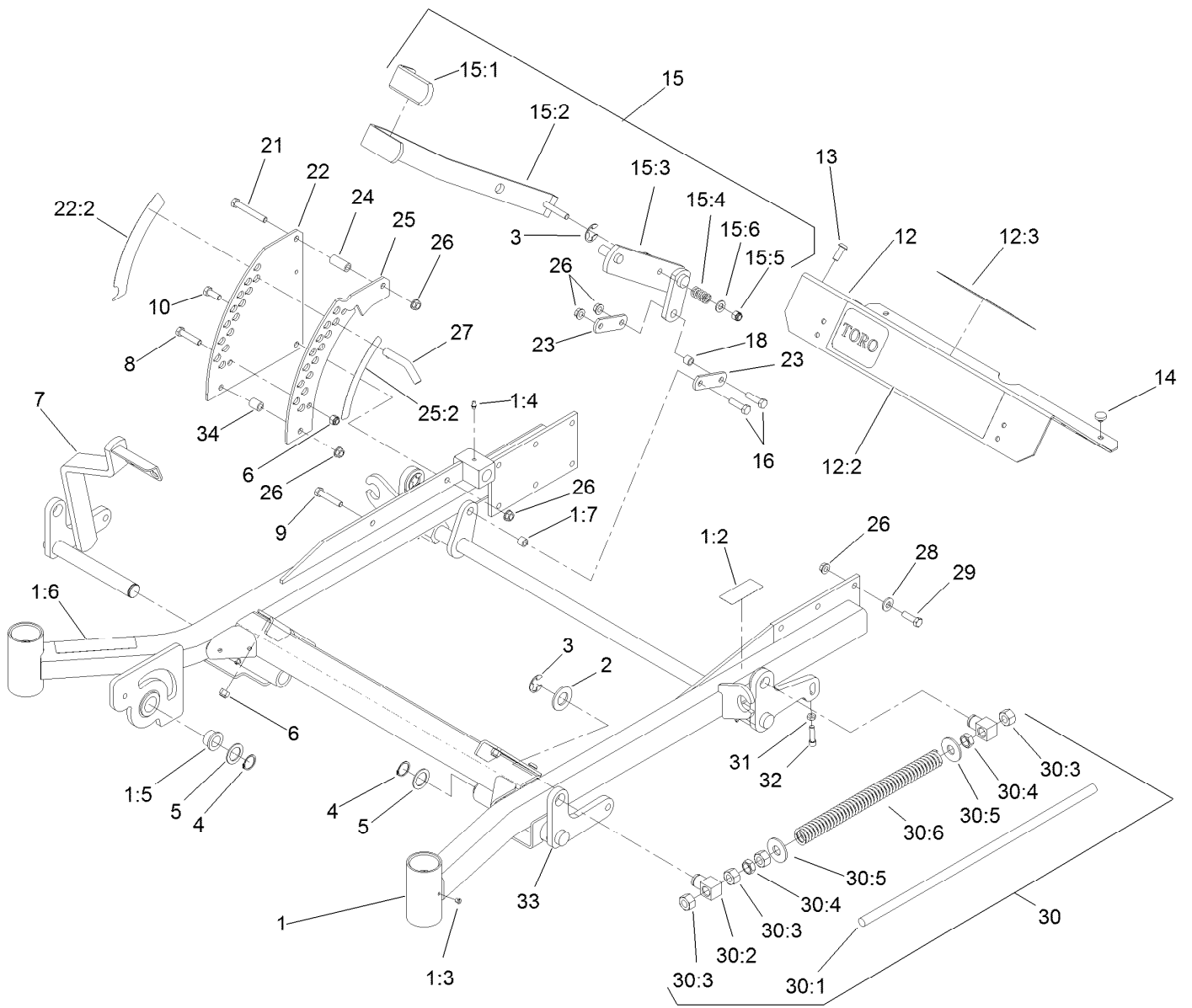
Front Frame Assembly	4
Fork, Caster Wheel and Z Stand Assembly	6
Traction Frame and Floor Pan Assembly	7
Seat and Roll-Over Protection System Assembly	8
Seat Assembly No. 125-3107	9
Roll-Over Protection System Assembly No. 110-0877	10
Main Frame and Rear Wheel Assembly	11
Hydro Control Assembly	13
Engine, Exhaust and Air Intake Assembly	15
Air Cleaner Assembly No. 93-2190	16
Hydro and Gearbox Assembly	17
Gearbox Assembly No. 107-9887	19
Hydraulic Tank, Pump and Motor Assembly	20
Tandem Pump Assembly No. 107-9885	22
Hydraulic Motor Assembly No. 112-8358 (CW)	23
Hydraulic Motor Assembly No. 112-8357 (CCW)	24
Hydraulic Hose System Assembly	25
Fuel System and Throttle Control Assembly	26
Fuel Line Assembly	27
Engine Housing Assembly	28
Cooling System Assembly	30
Hood Assembly	31
Electrical Assembly	32
Deck Connection Assembly	33
Deck Assembly	34
Spindle Assembly No. 127-0560	36
Deck Decal Assembly No. 131-7716	37
Rubber Deflector Assembly No. 108-2792	38
Crankcase Assembly	39
Oil Pan, Oil Pump and Dipstick Assembly	40
Cylinder Head Assembly	41
Gear Case and Oil Filter Cartridge Assembly	42
Cylinder Head Cover Assembly	43
Main Bearing Case Assembly	44
Camshaft and Idle Gear Shaft Assembly	45
Piston and Crankshaft Assembly	46
Fuel Camshaft Assembly	47
Idle Apparatus and Fuel Pump Cover Assembly	48
Stop Solenoid and Speed Control Plate Assembly	49
Injection Pump Assembly	50
Governor Assembly	51
Nozzle Holder and Glow Plug Assembly	52
Nozzle Holder Assembly	53
Alternator and Pulley Assembly	56
Alternator Components Assembly	57
Starter and Flywheel Assembly	58
Starter Component Assembly	59
Water Flange and Thermostat Assembly	60
Water Pump and Water Pipe Assembly	61
Valve and Rocker Arm Assembly	62
Inlet and Exhaust Manifold Assembly	63
Miscellaneous Engine Parts	64
Upper Engine Gasket Kit	65
Lower Engine Gasket Kit	66
Attachments and Accessories	67



## Front Frame Assembly

Ref.	Part Number	Qty.	Description	Ref.	Part Number	Qty.	Description
1	110-0800	1	Frame ASM	12:3	132-0871	1	Decal-Danger
1:2	107-3968	1	Decal-Brake, Parking	13	3274-94	4	Screw-HSBH
1:3	1-811010	2	Plug	14	1-513658	2	Bumper
1:4	302-19	5	Fitting-Grease	15	110-5860	1	Deck Lift Handle ASM
1:5	94-1291	2	Bushing	15:1	1-633295	1	Grip-Lever, Lift
1:6	107-3969	1	Decal-Warning	15:2	103-2083-03	1	Lever-Lift
1:7	103-1918	1	Bushing	15:3	103-2064-03	1	Arm-Lift, Deck
2	3256-29	4	Washer-Flat	15:4	1-633325	1	Spring-Compression
3	32151-103	5	Ring-Retaining, EXT	15:5	3296-39	1	Nut-Lock, NI
4	32151-29	2	Ring-Retaining	15:6	3256-24	1	Washer-Flat
5	1-523157	2	Washer-Spacer	16	323-29	2	Screw-HH
6	3296-39	5	Nut-Lock, NI	18	103-1918	1	Bushing
7	108-7786-01	1	Lift-Deck, RH Front	21	323-11	1	Screw-HH
8	323-9	1	Screw-HH	22	117-0367	1	Plate-HOC, Outer
9	323-10	1	Screw-HH	22:2	107-3961	1	Decal-Height, Deck
10	323-6	1	Screw-HH	23	1-633068	2	Arm-Lift, Deck
12	107-3976	1	Footrest	24	1-633082	1	Bushing-Lever, Lift
12:2	136-5521	1	Decal	25	117-0370	1	Plate-HOC, Inner

● Not serviced separately

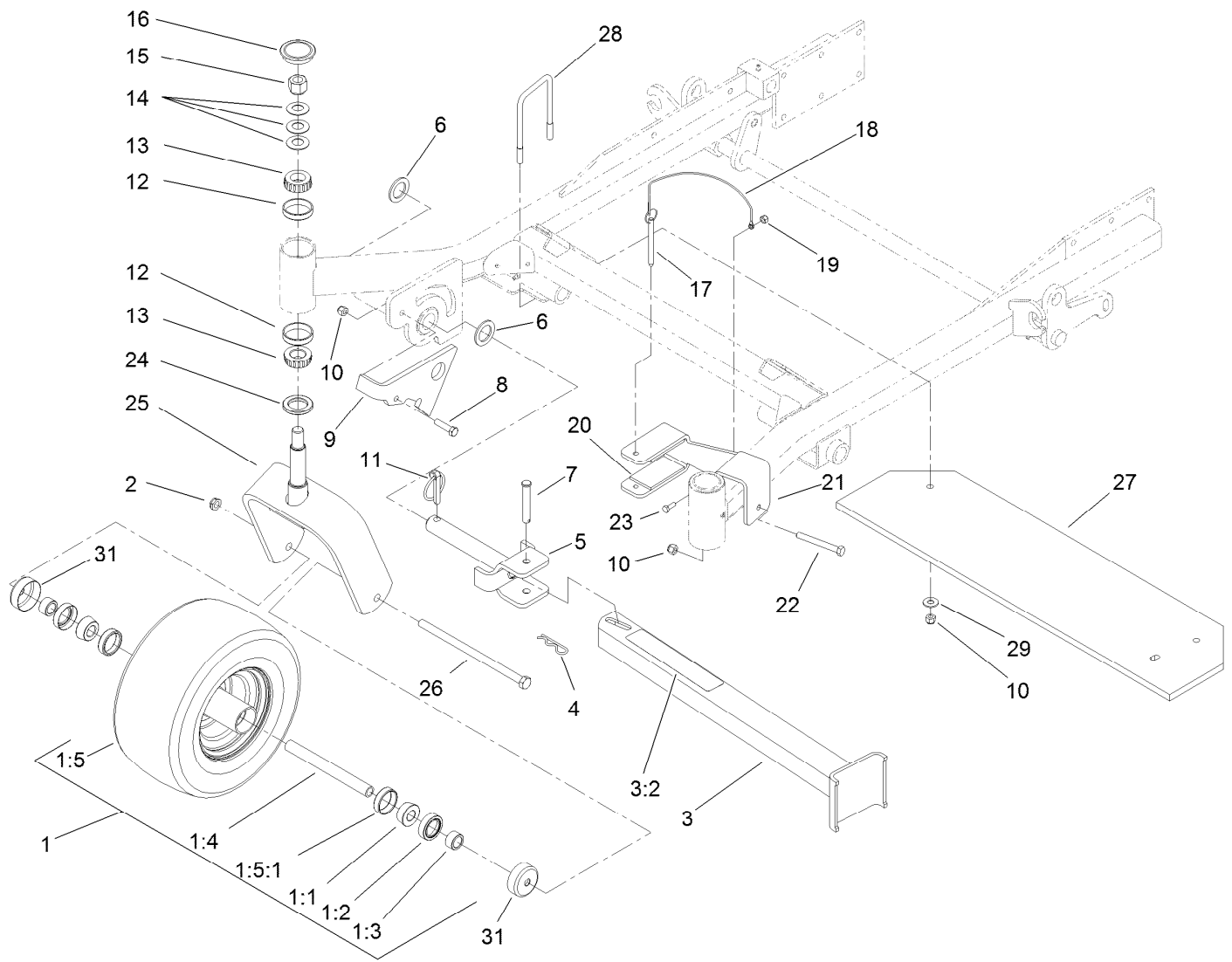


## Front Frame Assembly (continued)

Ref.	Part Number	Qty.	Description
25:2	107-3962	1	Decal-Height, Deck
26	3290-357	17	Nut-HHF, Whiz
27	109-8757	1	Pin-HOC
28	98-5975	12	Washer-Belleville
29	323-7	12	Screw-HH
30		2	Front Frame Spring ASM ●
30:1	1-633096	1	Rod-Lift, Deck
30:2	1-633441	2	Swivel-Deck Mount, Rear

Ref.	Part Number	Qty.	Description
30:3	3217-11	4	Nut-Hex
30:4	3218-6	2	Nut-Jam
30:5	3256-7	2	Washer-Flat
30:6	1-633064	1	Spring-Support, Deck
31	3218-2	2	Nut-Jam
32	3274-18	2	Screw-HSH
33	106-8984-01	1	Lift-Deck, LH
34	1-633080	1	Bushing-Lever, Lift

● Not serviced separately

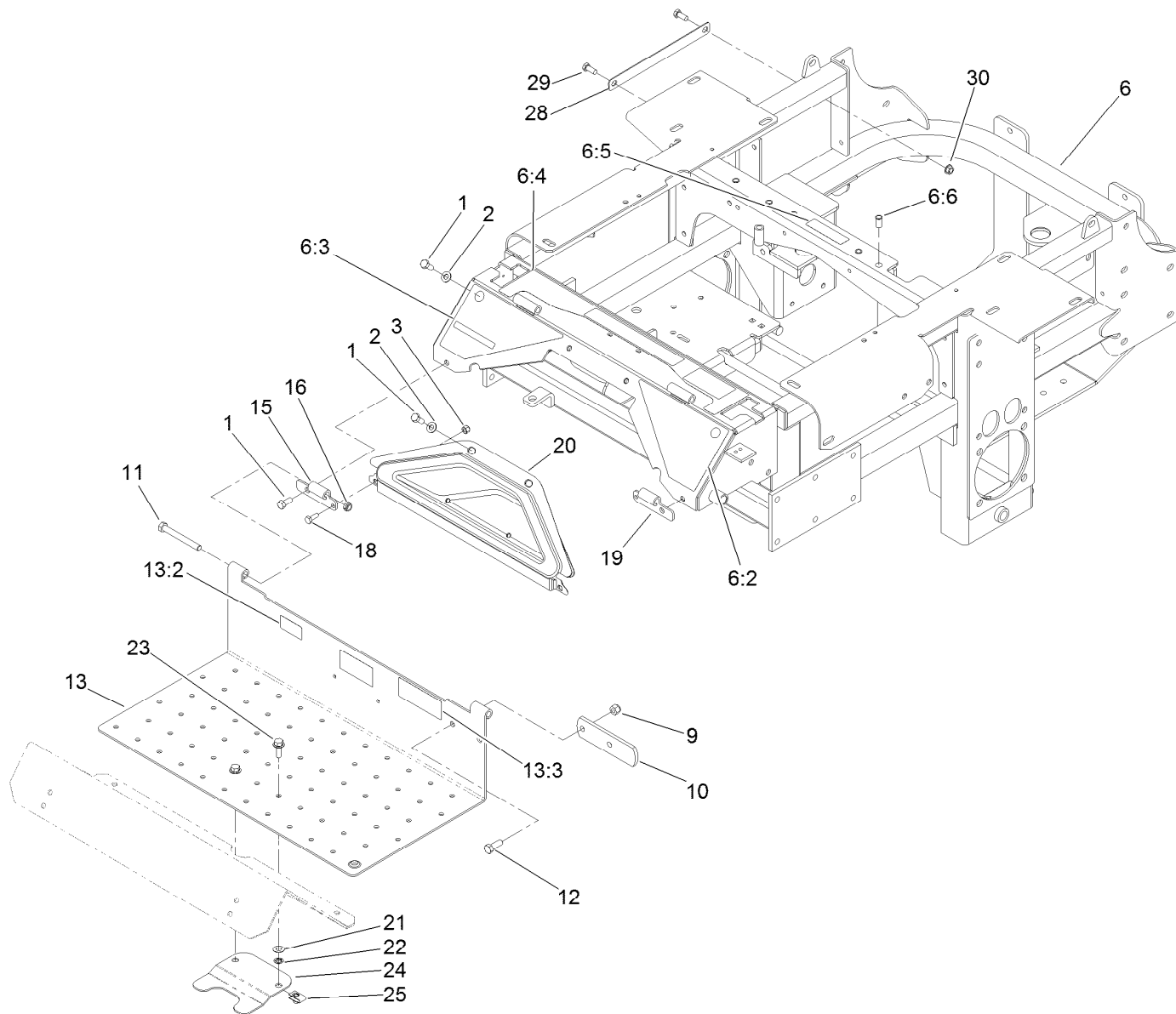


## Fork, Caster Wheel and Z Stand Assembly

Ref.	Part Number	Qty.	Description	Ref.	Part Number	Qty.	Description
1	109-9125	2	Wheel And Tire ASM	13	254-94	4	Bearing-Cone, Tapered
1:1	1-633585	2	Bearing-Cone, Taper	14	1-633508	6	Washer-Bellville
1:2	103-0063	2	Seal-Caster	15	3296-51	2	Nut-Lock, NI
1:3	103-3051	1	Spacer-Nut ■	16	103-4882	2	Cap-Grease
1:4	126-5361	1	Axle Caster ASM	17	105-1647	1	Pin-Hitch, Cotterless
1:5		1	Wheel And Tire ASM ●	18	100-9385	1	Lanyard-Nylon
1:5:1	1-633584	2	Bearing-Cup	19	3296-42	1	Nut-Lock, NI
2	3296-23	2	Nut-Lock, NI	20	100-6547	2	Cushion-Rubber
3	107-1874	1	Leg ASM	21	100-6542-01	1	Bracket-Cradle
3:2	106-7464	1	Decal-Z Stand	22	323-20	1	Screw-HH
4	3290-355	1	Pin-Hair	23	321-4	1	Screw-HH
5	100-9692-01	1	Pin-Pivot	24	116-5647	2	Seal-Grease
6	3-6781	2	Washer-Thrust	25	116-6705-01	2	Caster
7	283-55	1	Pin-Clevis	26	325-24	2	Screw-HH
8	323-8	1	Screw-HH	27	107-9874-01	1	Weight
9	136-1657-01	1	Plate-Latch	28	110-0817	2	U-Bolt, 3In
10	3296-39	6	Nut-Lock, NI	29	3256-4	4	Washer-Flat
11	283-71	1	Pin-Lynch	31	103-2768	4	Guard-Seal
12	254-72	4	Bearing-Cup, Tapered				

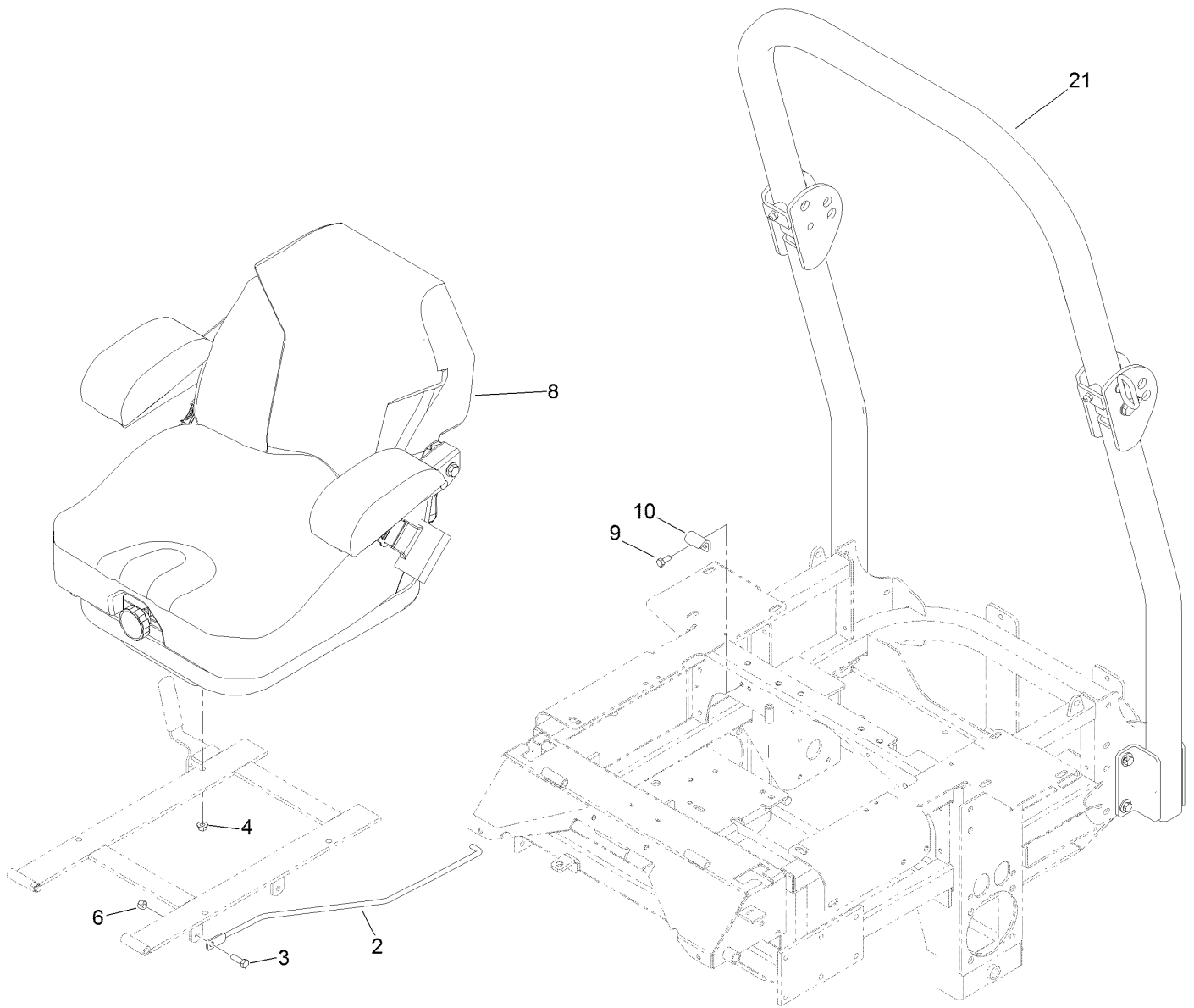
● Not serviced separately

■ Use Pro-Lock, Nut Type (P/N 1-840022, .5ml tube) on threads.



## Traction Frame and Floor Pan Assembly

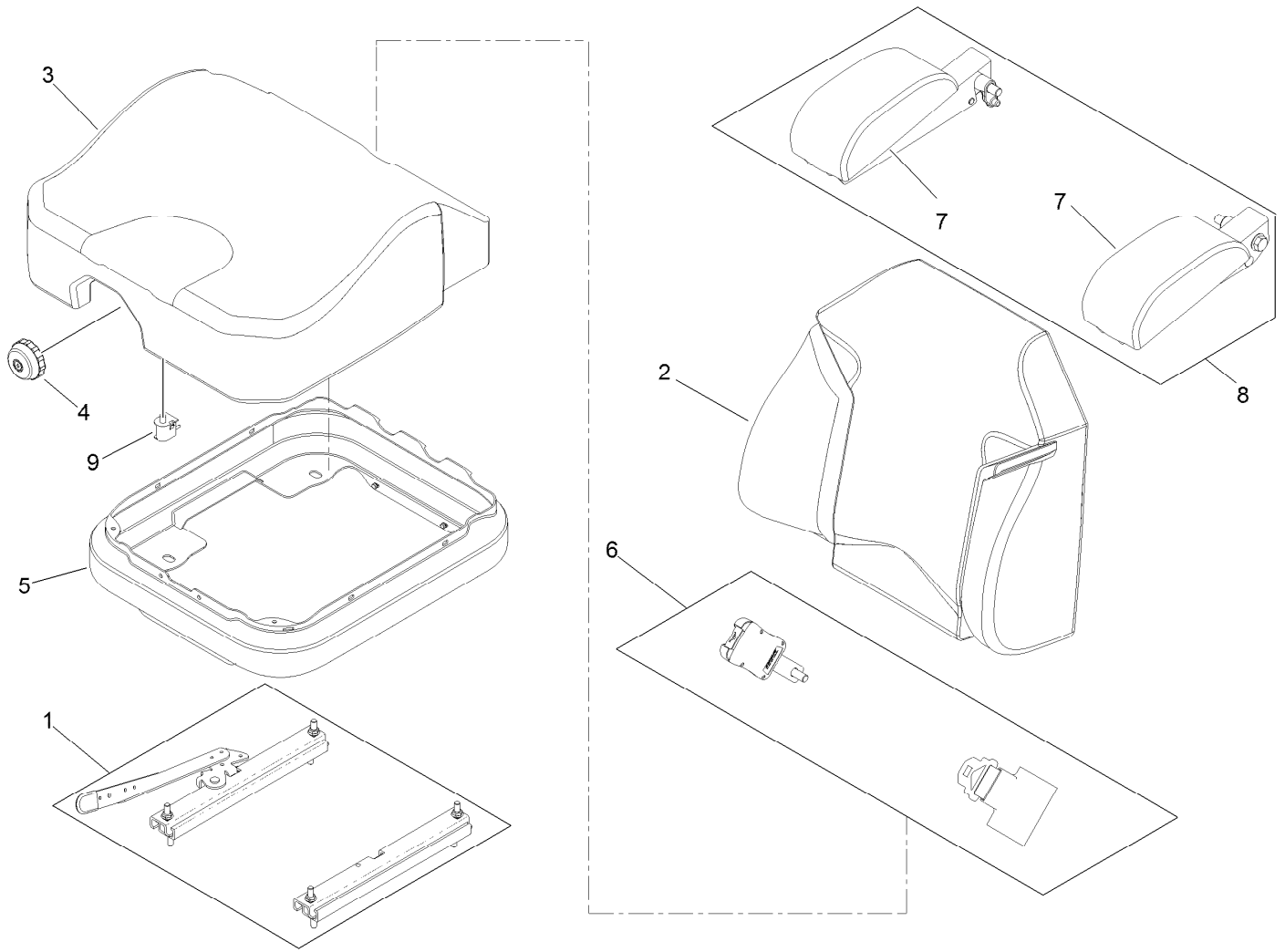
Ref.	Part Number	Qty.	Description	Ref.	Part Number	Qty.	Description
1	322-43	6	Screw-HH	13:3	121-7559	1	Decal-Diesel, Bio-Ready
2	3256-70	4	Washer-Flat	15	106-7488-03	1	Hinge-Floorpan, LH
3	3296-42	2	Nut-Lock, NI	16	3296-59	2	Nut-Lock, NI
6	131-7712	1	Traction Frame ASM	18	321-4	2	Screw-HH
6:2	107-3963	1	Decal-Danger, Left	19	106-7489-03	1	Hinge-Floorpan, RH
6:3	107-3964	1	Decal-Warning, Right	20	106-7498	1	Pocket
6:4	110-0820	1	Decal-Console, Top (CE)	21	73-0041	2	Washer-Thrust
6:5	112-9028	1	Decal-Missing, Cover	22	117-2749	2	Nut-Push
6:6	32148-11	5	Insert-Threaded	23	3234-29	2	Screw-HHF
9	3296-39	2	Nut-Lock, NI	24	119-0395-03	1	Adapter-Captive
10	1-633964-03	1	Stop-Brake, Park	25	94-2413	2	Nut-U
11	323-20	2	Screw-HH	28	131-8671-03	1	Strip
12	323-6	2	Screw-HH	29	323-5	2	Screw-HH
13	115-3851	1	Floor PAN ASM	30	3290-357	2	Nut-HHF, Whiz
13:2	98-4387	1	Decal-Protection, Ear				



## Seat and Roll-Over Protection System Assembly

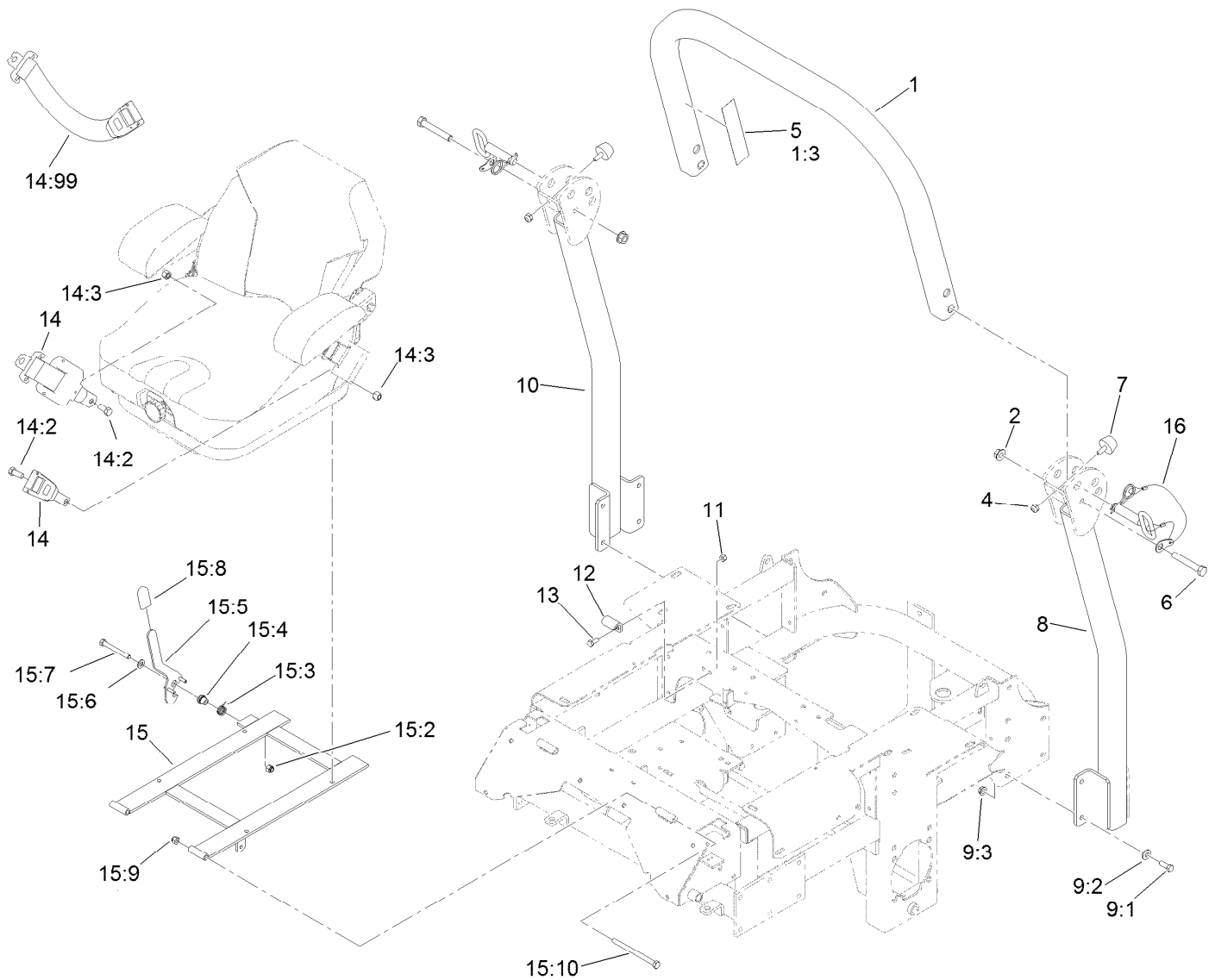
<i>Ref.</i>	<i>Part Number</i>	<i>Qty.</i>	<i>Description</i>
2	108-5341	1	Rod-Prop, Seat
3	322-5	1	Screw-HH
4	32128-20	4	Nut-HF
6	3296-29	3	Nut-Lock, NI
8	125-3107	1	Suspension Seat ASM
9	322-3	2	Screw-HH
10	107-3058	1	Catch-Latch, Seat
21	110-0877	1	ROPS Kit





## Seat Assembly No. 125-3107

Ref.	Part Number	Qty.	Description
1	116-8910	1	Seat Track Set
2	125-3112	1	Cover-Back
3	125-3111	1	Cover-Cushion
4	116-8911	1	Knob-Adjuster
5	116-5659	1	Cover-Suspension Bellows
6	126-2061	1	Seat Belt Service Kit
7	109-9802	1	Arm Rest Pad Set
8	109-9803	1	Arm Rest Set
9	82-2190	1	Switch-Bail

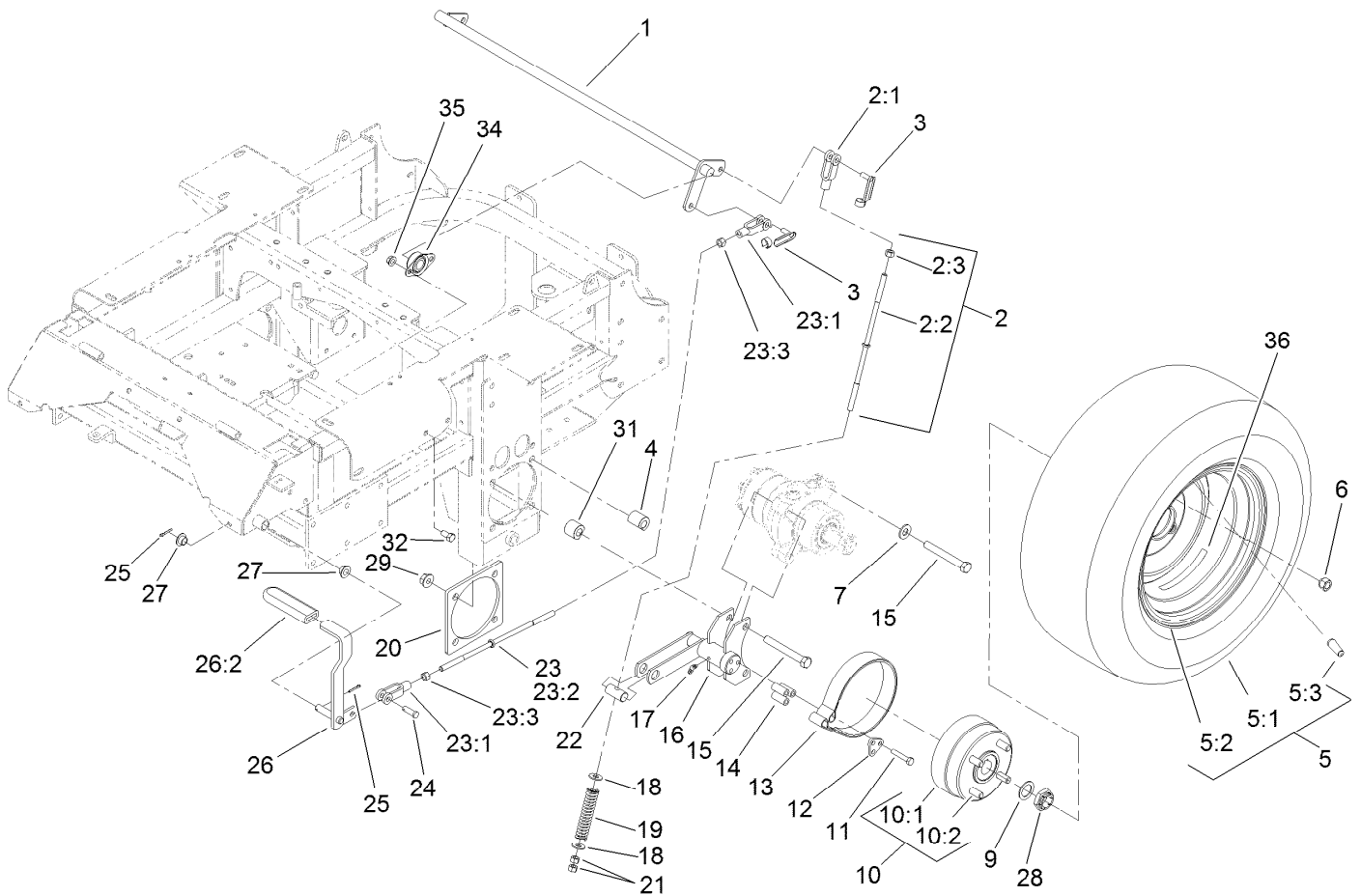


## Roll-Over Protection System Assembly No. 110-0877

Ref.	Part Number	Qty.	Description	Ref.	Part Number	Qty.	Description
1		1	Upper Tube ASM ■	13	322-3	2	Screw-HH
1:3	107-2102	1	Decal-Warning, Folding ROPS	14	110-0883	1	Retractable Seatbelt Kit
2	32128-23	2	Nut-HF	14:2	3212-4	2	Screw-HH
4	3296-73	2	Nut-Lock, NI	14:3	3296-7	2	Nut-Lock
5	107-3069	1	Decal-Warning	14:99	109-6226	1	Seat Belt Extension Kit
6	325-13	2	Screw-HH	15	110-0874	1	Seatframe ASM
7	109-2365	2	Bumper-Rubber	15:2	3296-39	1	Nut-Lock, NI
8		1	Tube-Support, LH ■	15:3	107-0076	1	Spring-Torsion
9		1	Bag-Bolt, ROPS ● ■	15:4	107-0075	1	Bushing-Latch, Seat
9:1	323-6	8	Screw-HH	15:5	107-3083	1	Latch ASM
9:2	98-5975	8	Washer-Belleville	15:6	3256-24	1	Washer-Flat
9:3	3290-357	8	Nut-HHF, Whiz	15:7	323-20	1	Screw-HH
10		1	Tube-Support, RH ■	15:8	103-4434	1	Grip-Lever
11	3296-29	2	Nut-Lock, NI	15:9	3296-39	2	Nut-Lock, NI
12	107-3058	1	Catch-Latch, Seat	15:10	323-39	2	Screw-HH
				16	103-4553	2	Pin-Fold, ROPS

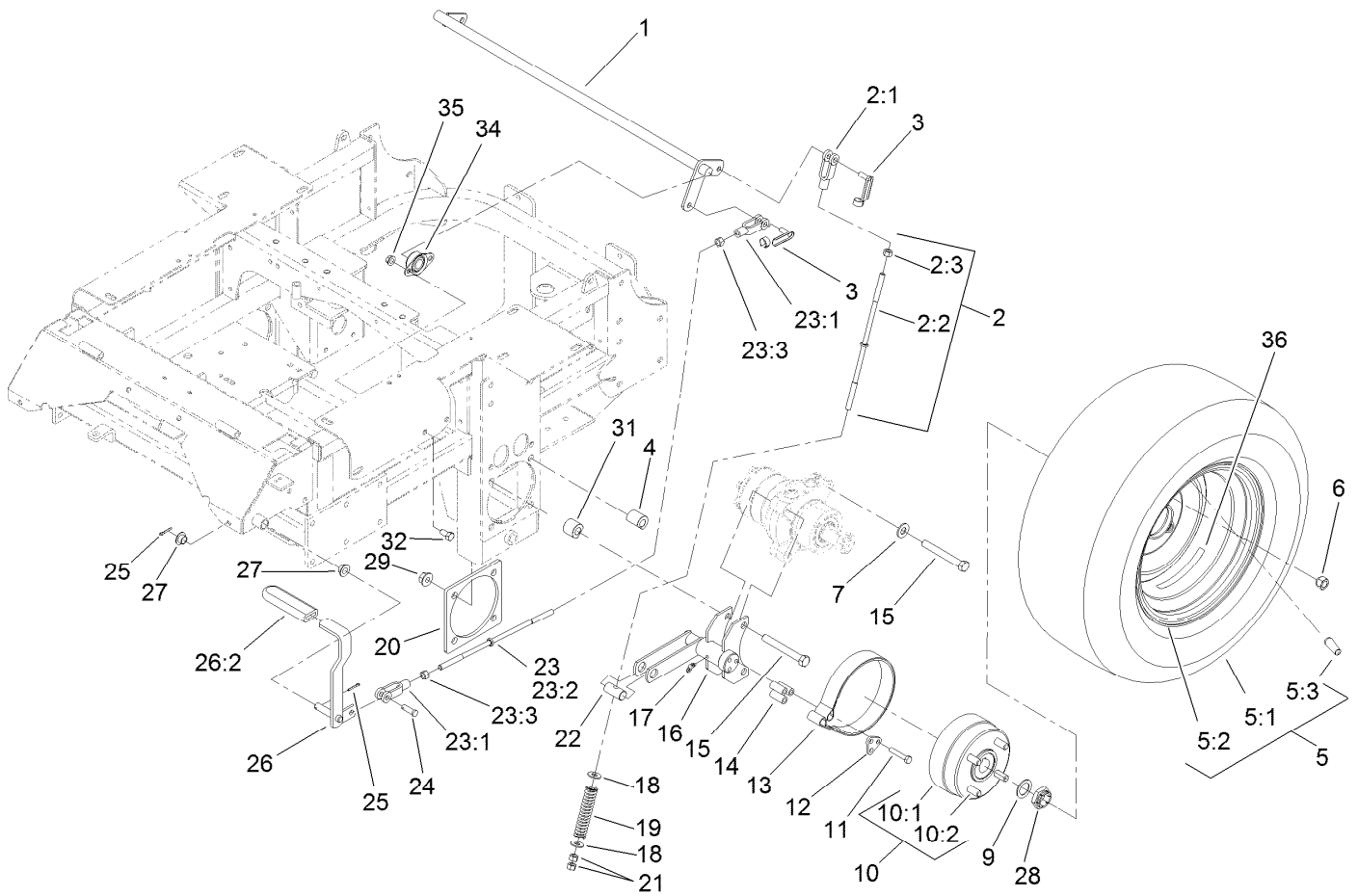
● Not illustrated

■ Not serviced separately



## Main Frame and Rear Wheel Assembly

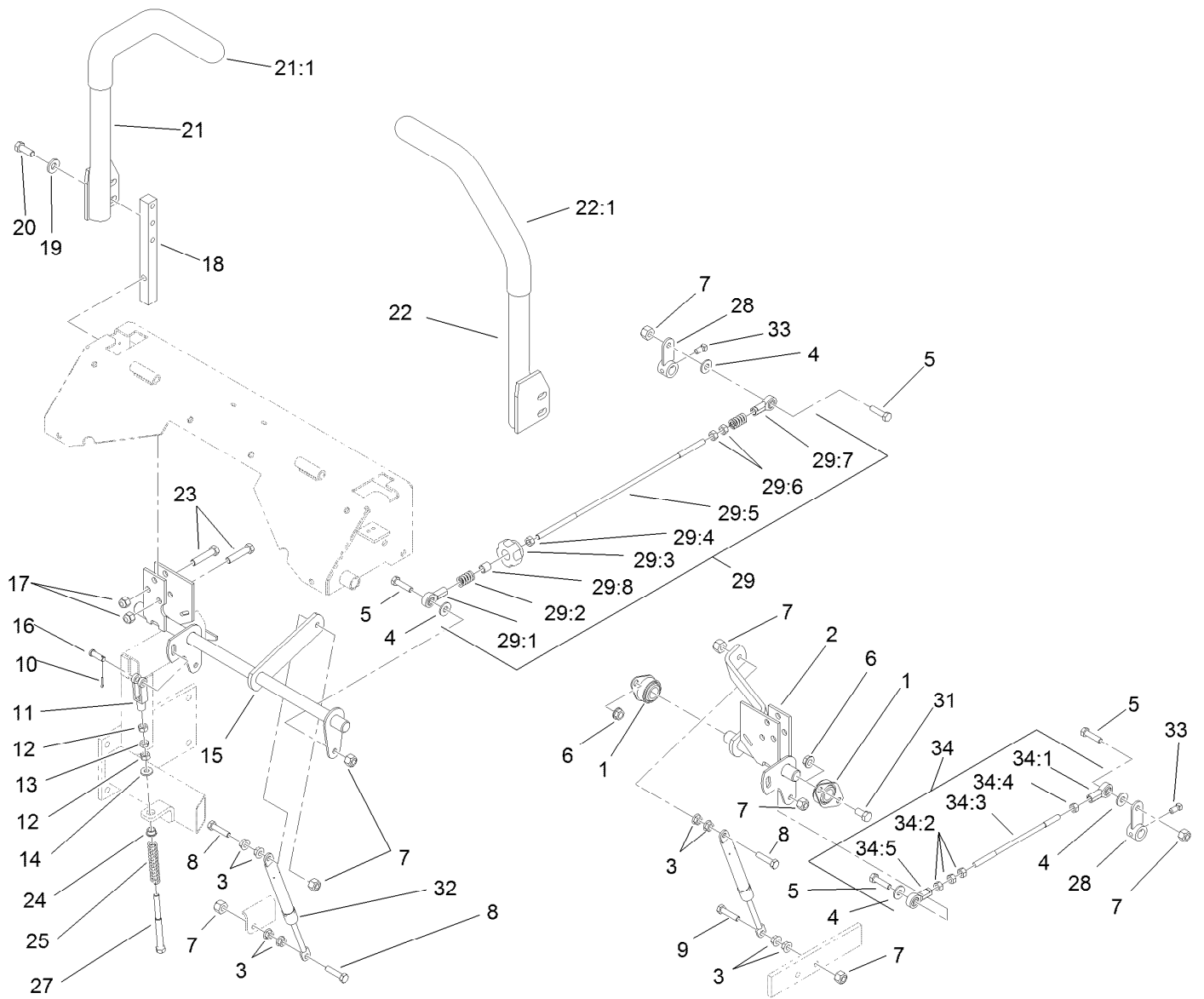
Ref.	Part Number	Qty.	Description	Ref.	Part Number	Qty.	Description
1	1-632217-03	1	Shaft-Brake	15	325-18	8	Screw-HH
2	108-5963	2	Brake Rod ASM	16	103-0352-03	2	Bracket-Brake
2:1	1-633131	1	Yoke-Linkage, Brake	17	1481	2	Fitting-Grease
2:2	108-5980	1	Rod-Brake	18	3256-4	4	Washer-Flat
2:3	3219-3	1	Nut-Hex	19	1-633454	2	Spring-Brake
3	103-2399	3	Pin-Spring, Clevis	20	103-3271-03	2	Plate-Reinforcement
4	114-1185	4	Spacer-Wheel, Long	21	3219-3	4	Nut-Hex
5	1-653010	2	Wheel And Tire ASM	22	1-633144	2	Pin-Trunion
5:1	1-653160	1	Tire	23	108-5962	1	Brake Rod ASM
5:2	1-653158	1	Wheel	23:1	1-633131	2	Yoke-Linkage, Brake
5:3	232-27	1	Stem-Valve	23:2	1-633477	1	Rod-Brake
6	242-50	8	Nut-Lug	23:3	3219-3	2	Nut-Hex
7	87-7270	4	Washer-Thrust	24	1-808285	1	Pin-Clevis
9	1-523157	2	Washer-Spacer	25	3272-10	2	Pin-Cotter
10	103-0590	2	Wheel Hub ASM	26	1-634500	1	Brake Lever ASM
10:1	103-0589	1	Hub-Wheel	26:2	1-633268	1	Grip-Lever
10:2	1-633926	4	Stud-Wheel	27	1-513140	2	Bearing-Control
11	322-9	6	Screw-HH	28	116-1399	2	Locknut
12	103-0374	2	Retainer-Band, Brake	29	32128-49	8	Nut-HHF
13	103-0355	2	Band-Brake	31	114-1184	4	Spacer-Wheel, Short
14	103-0384	6	Spacer	32	323-4	4	Screw-HH



## Main Frame and Rear Wheel Assembly (continued)

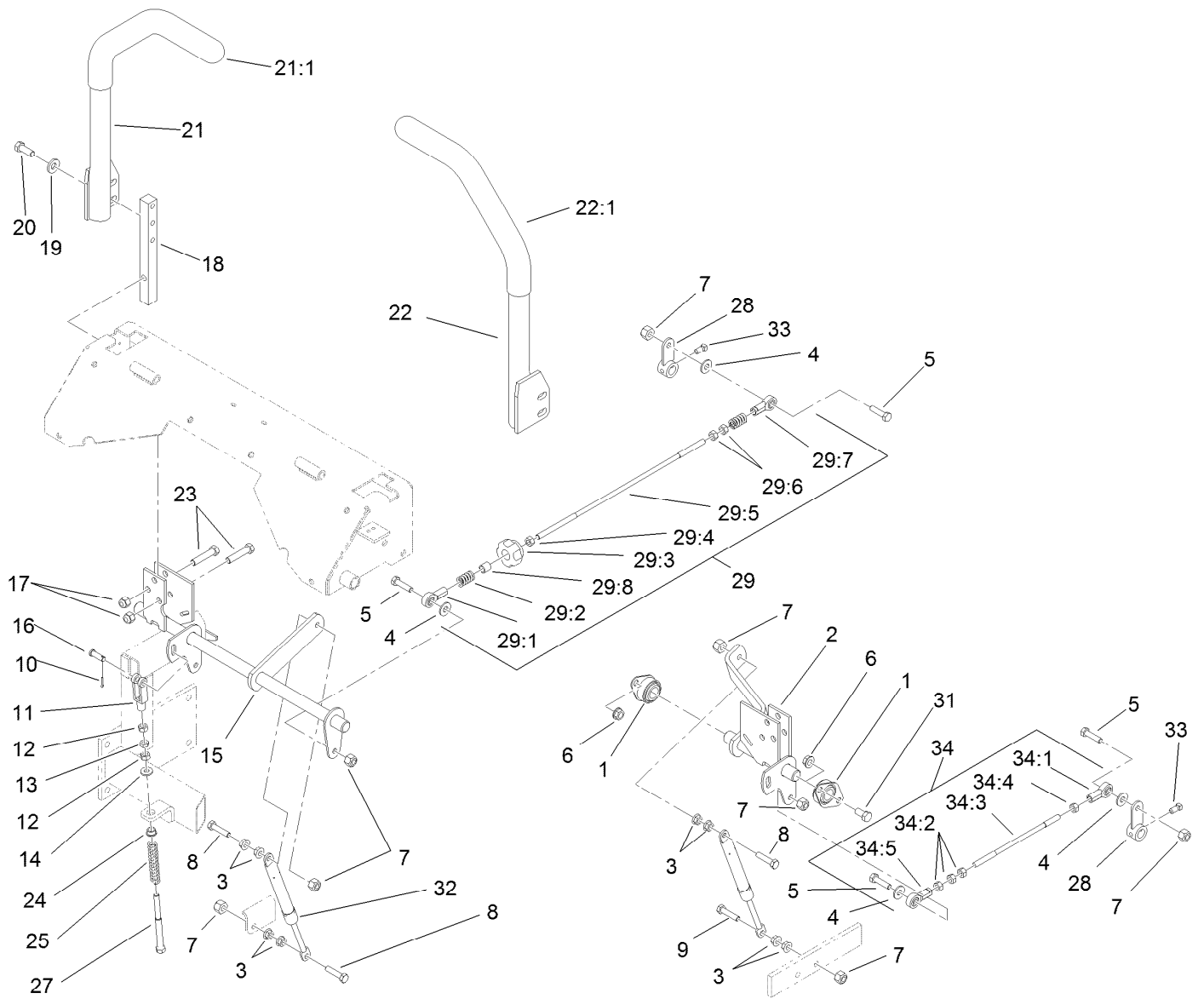
Ref.	Part Number	Qty.	Description
34	1-633102	2	Bearing-Flange, Side

Ref.	Part Number	Qty.	Description
35	3290-357	4	Nut-HHF, Whiz
36	126-2055	2	Decal-Torque, Wheel Hub Lug



## Hydro Control Assembly

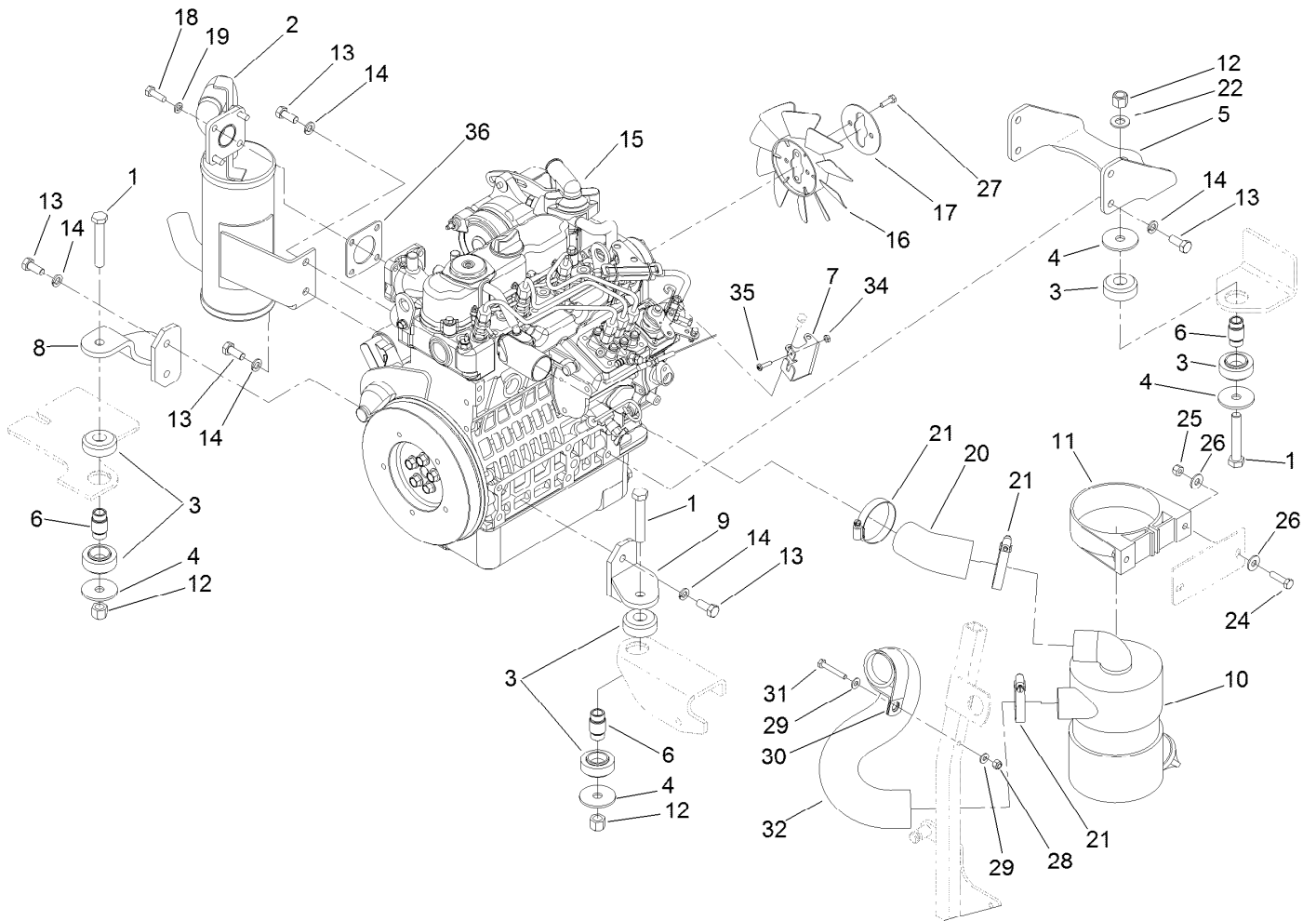
Ref.	Part Number	Qty.	Description	Ref.	Part Number	Qty.	Description
1	1-633102	4	Bearing-Flange, Side	21:1	106-9987	1	Grip-Control, Motion
2	107-3480	1	Control-Motion, LH	22	108-7238	1	LH Lever ASM
3	32128-20	10	Nut-HF	22:1	106-9987	1	Grip-Control, Motion
4	3256-3	4	Washer-Flat	23	323-9	6	Screw-HH
5	322-6	4	Screw-HH	24	1-603735	2	Bushing-Flanged
6	3290-357	6	Nut-HHF, Whiz	25	1-603807	2	Spring-Return, Neutral
7	3296-29	8	Nut-Lock, NI	27	1-603737	2	Bolt-Return, Neutral
8	1-403180	3	Screw-HH	28	107-3470-03	2	Arm-Control, Hydraulic
9	322-41	1	Screw-HH	29	107-3474	1	RH Control Rod ASM
10	3272-5	2	Pin-Cotter	29:1	1-543017	1	Balljoint-RH
11	1-303105	2	Yoke-Adjustable	29:2	1-323245	2	Spring-Compression
12	3219-2	4	Nut-Hex	29:3	103-3060	1	Knob-Tracking
13	3220-2	2	Nut-Jam	29:4	3219-2	1	Nut-Hex
14	3256-2	2	Washer-Flat	29:5	107-3472	1	Rod-Control, RH
15	107-3481	1	Control-Motion, RH	29:6	1-804524	2	Nut
16	1-808280	2	Pin-Clevis	29:7	1-633152	1	Balljoint-LH
17	3296-39	6	Nut-Lock, NI	29:8	103-1166	1	Spacer-Tube, Pump Link
18	103-0407	2	Arm-Shaft, Control	31	323-4	6	Screw-HH
19	98-5975	4	Washer-Belleville	32	109-2339	2	Damper-Control, Motion
20	323-6	4	Screw-HH	33	1-803022	2	Screw-Set
21	108-7237	1	RH Lever ASM	34	107-3475	1	LH Control Rod ASM



## Hydro Control Assembly (continued)

<i>Ref.</i>	<i>Part Number</i>	<i>Qty.</i>	<i>Description</i>
34:1	1-543017	1	Balljoint-RH
34:2	3219-2	3	Nut-Hex
34:3	107-3473	1	Rod-Control, LH

<i>Ref.</i>	<i>Part Number</i>	<i>Qty.</i>	<i>Description</i>
34:4	1-804524	1	Nut
34:5	1-633152	1	Balljoint-LH



## Engine, Exhaust and Air Intake Assembly

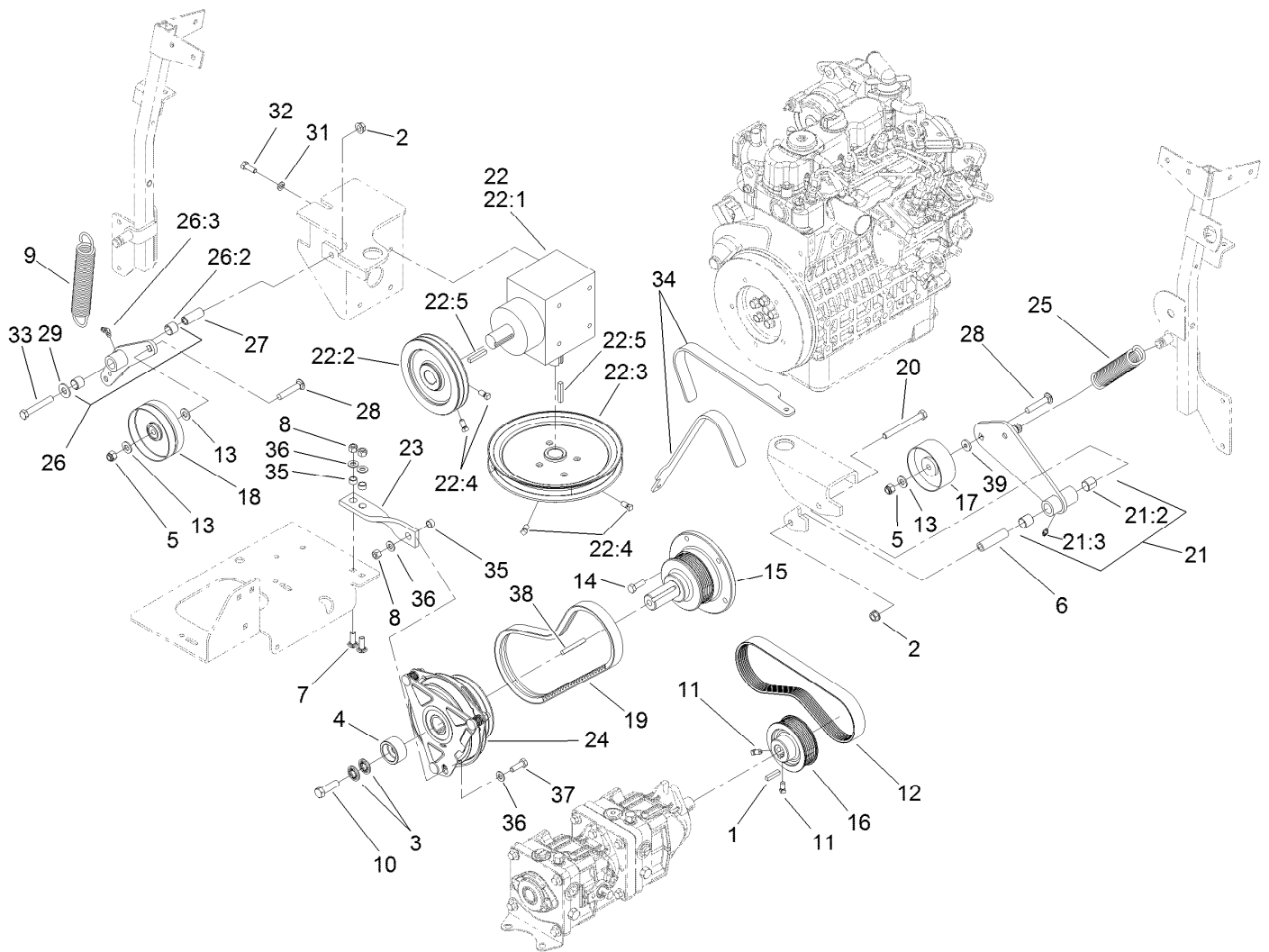
Ref.	Part Number	Qty.	Description	Ref.	Part Number	Qty.	Description
1	325-12	3	Screw-HH	18	33114-025	4	Screw-HH
2	107-9909	1	Muffler	19	3253-4	4	Washer-Lock
3	107-9914	3	Mount-Isolation ASM	20	108-5371	1	Hose-Intake, Air Cleaner
4	55-7960	4	Washer-Large	21	1-643009	3	Clamp-Hose
5	107-9917-03	1	Bracket-Engine Mount, Rear	22	3256-26	1	Washer-Flat
6	110-0300	3	Spacer	24	322-6	2	Screw-HH
7	108-5922	1	Bracket-Support, Throttle	25	3296-29	2	Nut-Lock, NI
8	107-9920-03	1	Support-Engine, RH	26	3256-23	4	Washer-Flat
9	107-9930-03	1	Support-Engine, LH	27	33113-020	2	Screw-HH
10	93-2190	1	Air Cleaner ASM	28	3296-42	1	Nut-Lock, NI
11	95-5806	1	Bracket-Mounting	29	3256-22	2	Washer-Flat
12	3296-23	3	Nut-Lock, NI	30	1-643241	1	Clip-Loom
13	43-0090	10	Screw-HH	31	321-10	1	Screw-HH
14	42-9600	10	Washer-Lock, Spring	32	108-5370	1	Hose-Intake, Engine
15	127-9652	1	Engine-Kubota, D902-E4B-Tor-1	34	3217-26	1	Nut-Hex
16	110-0814	1	Fan	35	110-0863	1	Screw-Torx
17	110-0816	1	Plate-Reatainer, Fan	36	99-8343	1	Gasket-Muffler



## Air Cleaner Assembly No. 93-2190

<i>Ref.</i>	<i>Part Number</i>	<i>Qty.</i>	<i>Description</i>
2	108-3811	1	Filter-Air
3	94-3652	1	Cover ASM
3:1	1-643283	2	Latch-Cleaner, Air
4	87-9400	1	Valve-Vacuator
5	285-17	1	Plug-Pipe

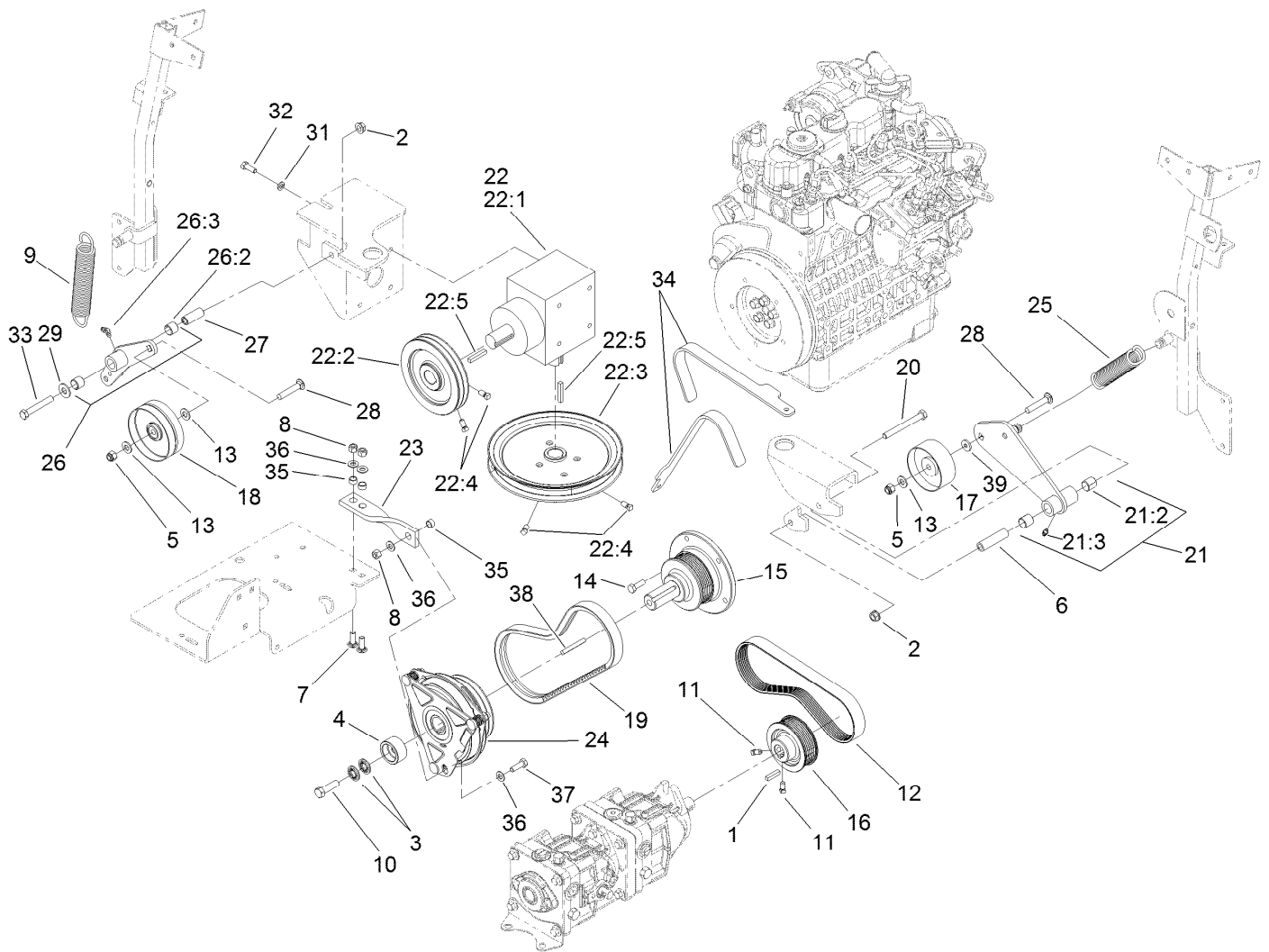




## Hydro and Gearbox Assembly

Ref.	Part Number	Qty.	Description	Ref.	Part Number	Qty.	Description
1	5-0698	1	Key	19	110-0805	1	Belt-V
2	3290-357	2	Nut-HHF, Whiz	20	323-15	1	Screw-HH
3	1-603610	2	Washer-Spring	21	108-5939	1	Pump Idler Arm ASM
4	114-8152	1	Retainer-Clutch	21:2	1-513034	2	Sleeve-Bearing
5	3296-39	2	Nut-Lock, NI	21:3	302-5	1	Fitting-Grease
6	1-603384	1	Bushing-Pivot, Idler	22		1	Gearbox ASM ●
7	3230-22	2	Screw-CARR	22:1	107-9887	1	Gearbox-90 DEG
8	3296-29	3	Nut-Lock, NI	22:2	108-5912	1	Pulley
9	119-0392	1	Spring-Extension	22:3	110-0893	1	Pulley
10	3212-6	1	Screw-HH	22:4	1-803022	4	Screw-Set
11	1-803022	2	Screw-Set	22:5	67-7490	2	Key-Square
12	107-9910	1	Belt-V	23	112-1781	1	Strap-Stop, Clutch
13	3256-24	4	Washer-Flat	24	112-2320	1	Clutch-Magnetic
14	33114-025	5	Screw-HH	25	119-0394	1	Spring-Extension
15	112-2335	1	Shaft-Stub	26	112-2354	1	Gearbox Idler ASM (W/Bearings)
16	108-5976	1	Pulley	26:2	103-4681	2	Sleeve-Bearing
17	108-5910	1	Pulley-Flat	26:3	1481	1	Fitting-Grease
18	110-0803	1	Pulley-Flat				

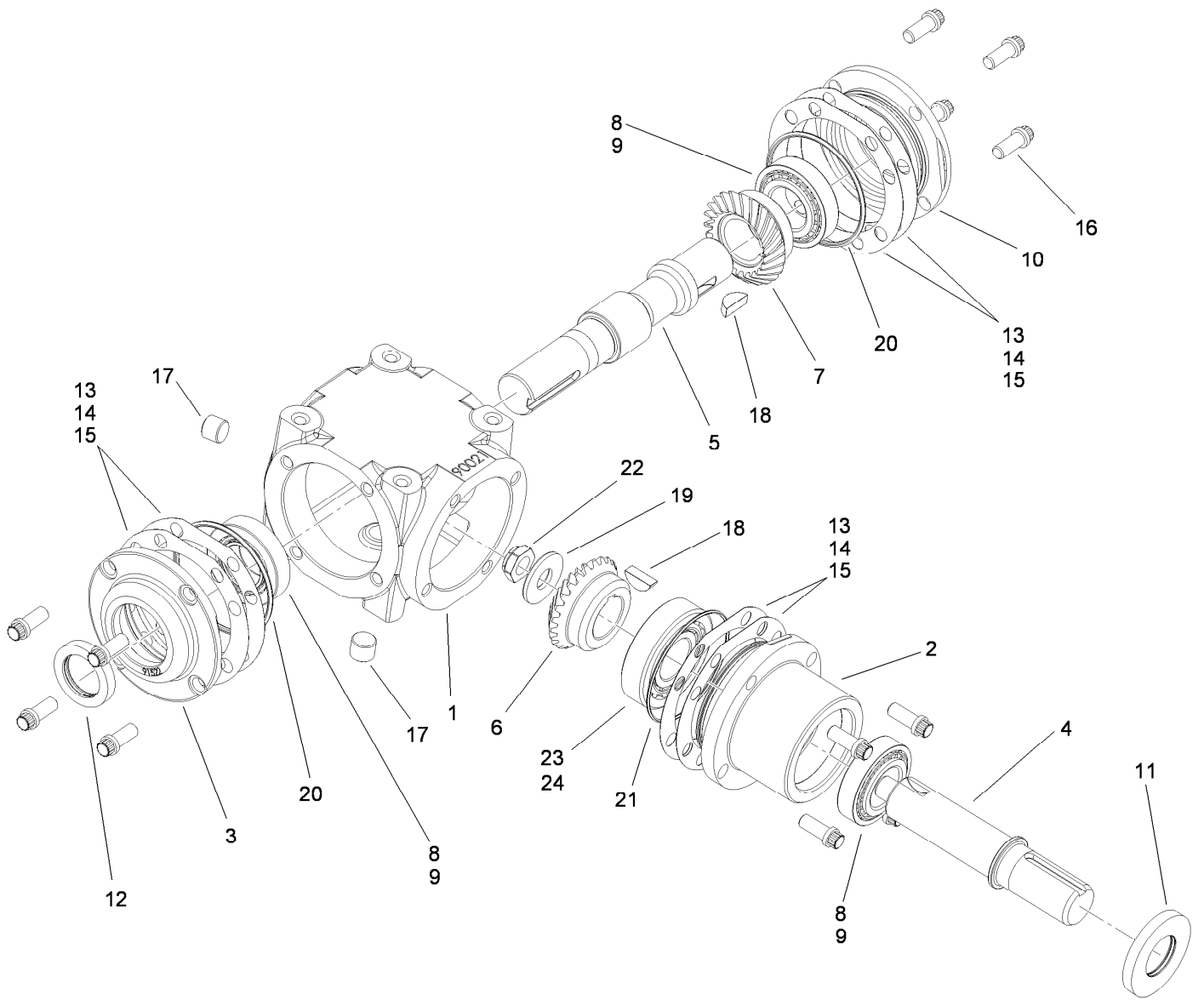
● Not serviced separately



## Hydro and Gearbox Assembly (continued)

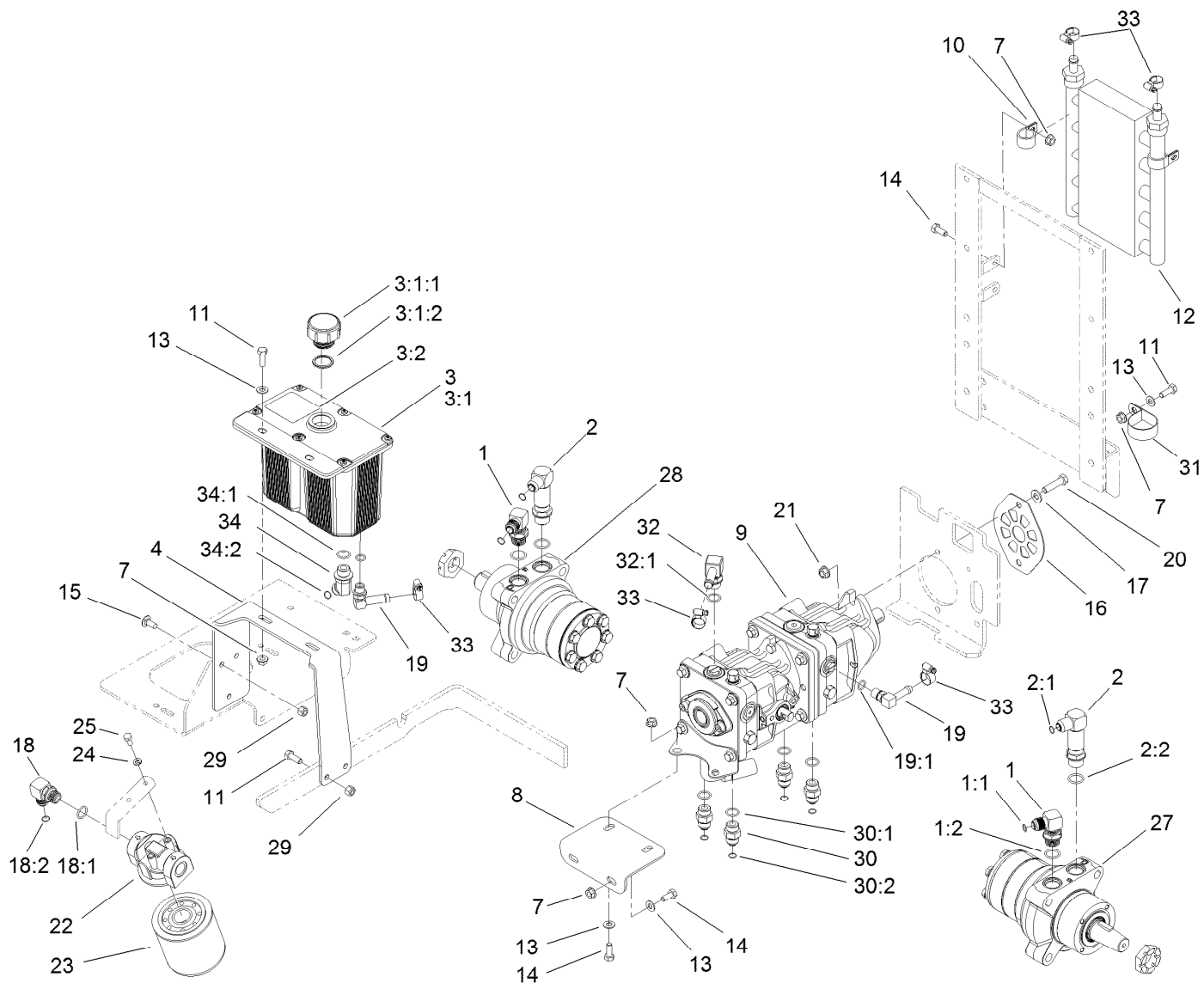
<i>Ref.</i>	<i>Part Number</i>	<i>Qty.</i>	<i>Description</i>	<i>Ref.</i>	<i>Part Number</i>	<i>Qty.</i>	<i>Description</i>
27	1-603044	1	Bushing	34	110-0876	1	Tool-Alignment, Pulley
28	3231-6	2	Screw-CARR	35	65-9820	3	Spacer
29	3256-4	1	Washer-Flat	36	3256-23	4	Washer-Flat
31	3253-4	4	Washer-Lock	37	322-5	1	Screw-HH
32	322-4	4	Screw-HH	38	5-1336	1	Key-Square
33	323-12	1	Screw-HH	39	1-373034	1	Washer

● Not serviced separately



## Gearbox Assembly No. 107-9887

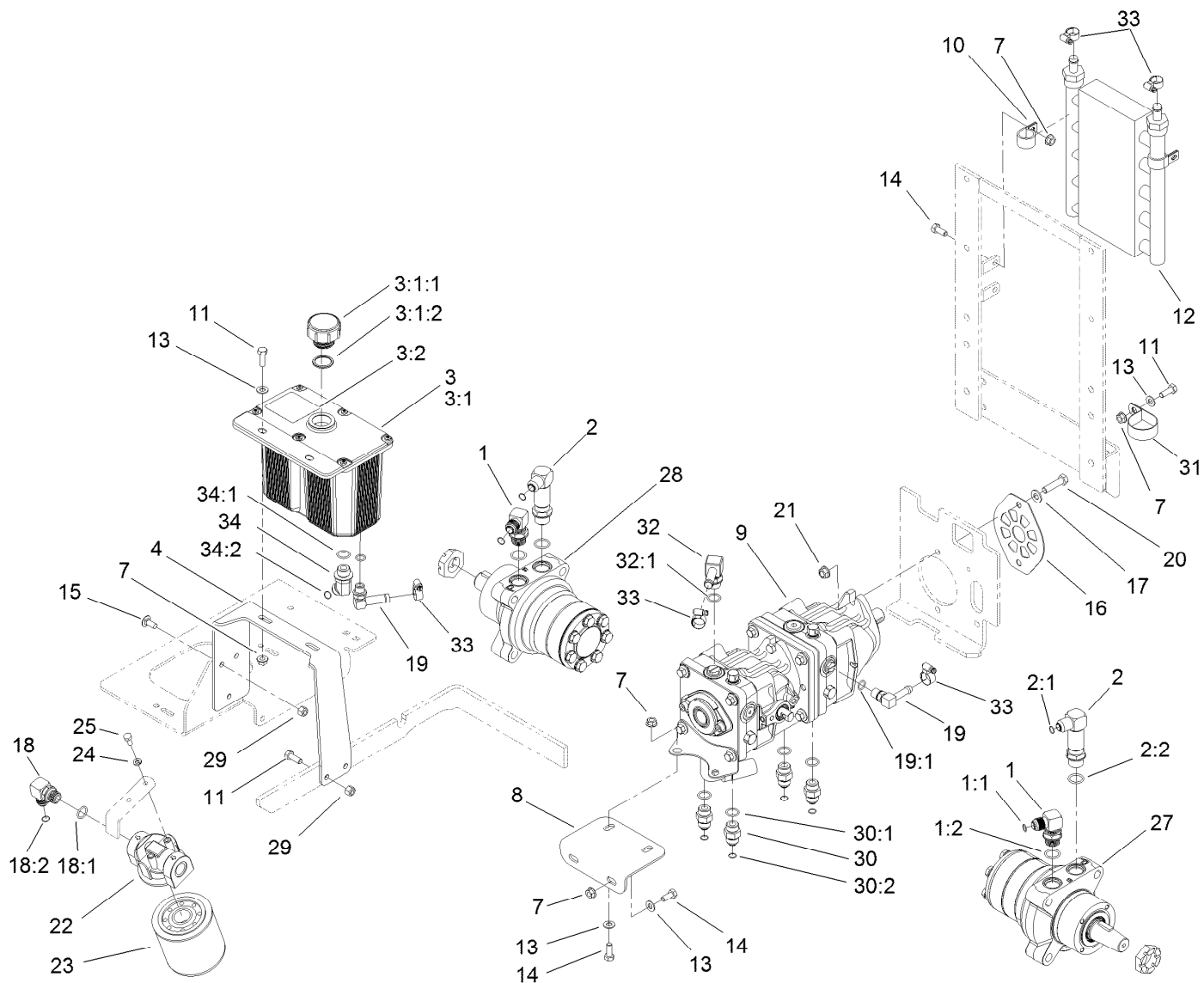
<i>Ref.</i>	<i>Part Number</i>	<i>Qty.</i>	<i>Description</i>	<i>Ref.</i>	<i>Part Number</i>	<i>Qty.</i>	<i>Description</i>
1	110-0843	1	Case	13	100-4591	1	Shim-Brown, .010In
2	110-0853	1	Housing-Pinion	14	100-4592	1	Shim-Blue, .005In
3	100-4566	1	Cap-End, Open	15	100-4593	1	Shim-Green, .003In
4	110-0844	1	Shaft-Pinion	16	100-4578	12	Screw
5	110-0845	1	Shaft-Cross	17	100-4579	2	Plug
6	110-0847	1	Gear-Shaft, Cross	18	3257-33	2	Key-Woodruff
7	110-0846	1	Gear-Pinion	19	100-4581	1	Washer
8	110-0848	3	Bearing-Cup	20	100-4582	2	O-Ring
9	110-0849	3	Bearing-Cone	21	110-0851	1	O-Ring
10	100-4574	1	Cap-End, Closed	22	110-0852	1	Nut Lock
11	100-4575	1	Seal	23	100-5817	1	Bearing-Cup
12	110-0850	1	Seal-Shaft, Cross	24	100-5816	1	Bearing-Cone



## Hydraulic Tank, Pump and Motor Assembly

Ref.	Part Number	Qty.	Description	Ref.	Part Number	Qty.	Description
1	1-633605	2	Fitting-HYD, 90 DEG	13	3256-23	7	Washer-Flat
1:1	1-603992	1	O-Ring	14	322-3	8	Screw-HH
1:2	237-80	1	O-Ring	15	3230-23	3	Screw-CARR
2	108-5323	2	Fitting-Elbow-90	16	108-5367-03	1	Plate-Shield, Pump
2:1	1-603992	1	O-Ring	17	3256-24	2	Washer-Flat
2:2	237-80	1	O-Ring	18	103-2153	1	Fitting-90 DEG
3	108-5320	1	Hydraulic Tank ASM	18:1	1-603920	1	O-Ring
3:1		1	Tank-Hydraulic ●	18:2	1-603992	1	O-Ring
3:1:1	103-1948	1	Cap-Reservoir, HYD	19	109-6449	2	Fitting-Elbow, 90
3:1:2	103-1949	1	Gasket-Cap	19:1	237-42	1	O-Ring
3:2	115-4212	1	Decal-Warning	20	323-8	2	Screw-HH
4	108-5352-03	1	Bracket-Tank, Hydraulic	21	3290-357	2	Nut-HHF, Whiz
7	32128-20	11	Nut-HF	22	86-9080	1	Head-Filter
8	107-3462-03	1	Bracket-Pump, Front	23	67-8110	1	Cartridge-Filter, Oil
9	107-9885	1	Tandem Pump ASM	24	1-805004	2	Washer-Lock
10	110-0824	4	R-Clamp	25	321-3	2	Screw-HH
11	322-5	4	Screw-HH	27	112-8357	1	HYD Motor ASM (CCW)
12	114-8168	1	Cooler-Oil, Hydro	28	112-8358	1	HYD Motor ASM (CW)

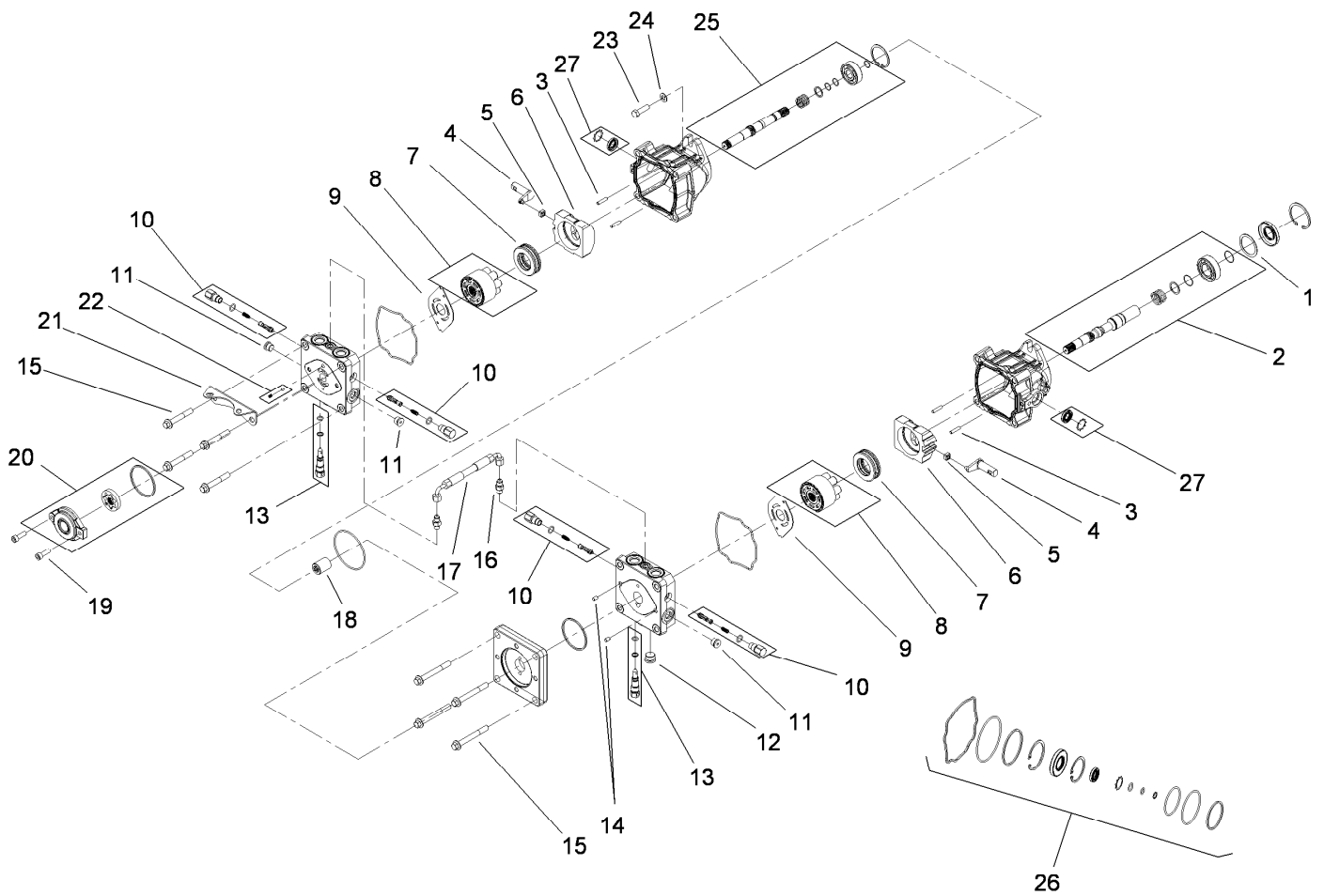
● Not serviced separately



## Hydraulic Tank, Pump and Motor Assembly (continued)

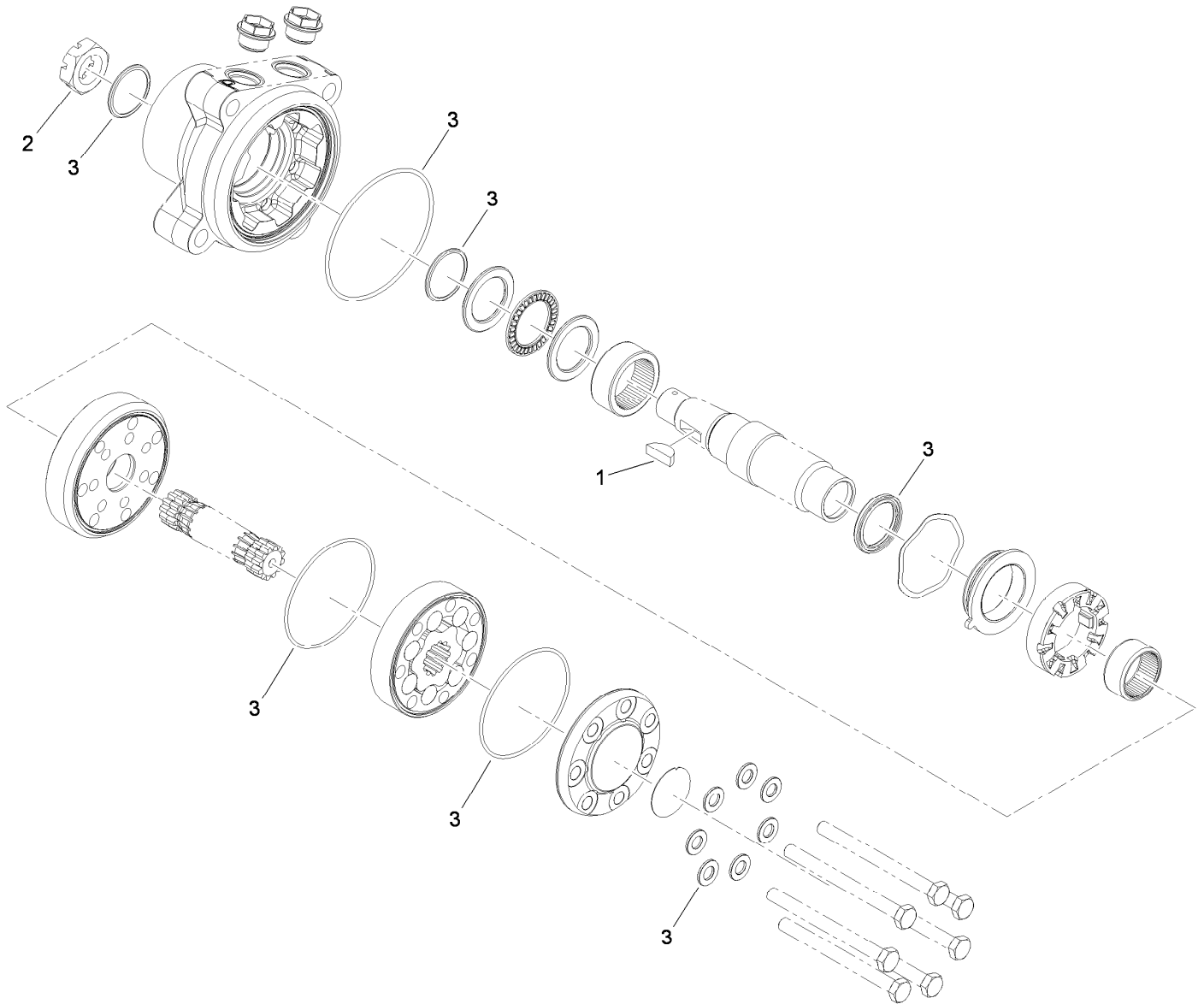
<i>Ref.</i>	<i>Part Number</i>	<i>Qty.</i>	<i>Description</i>	<i>Ref.</i>	<i>Part Number</i>	<i>Qty.</i>	<i>Description</i>
29	3296-29	4	Nut-Lock, NI	32:1	237-79	1	O-Ring
30	1-603990	4	Fitting-Straight	33	109-6801	5	Clamp-Hose
30:1	1-603920	1	O-Ring	34	1-523221	1	Fitting-HYD, 45 DEG
30:2	1-603992	1	O-Ring	34:1	1-603920	1	O-Ring
31	2412-147	1	Clamp-R	34:2	1-603992	1	O-Ring
32	108-5316	1	Fitting-Elbow, 90 DEG				

● Not serviced separately



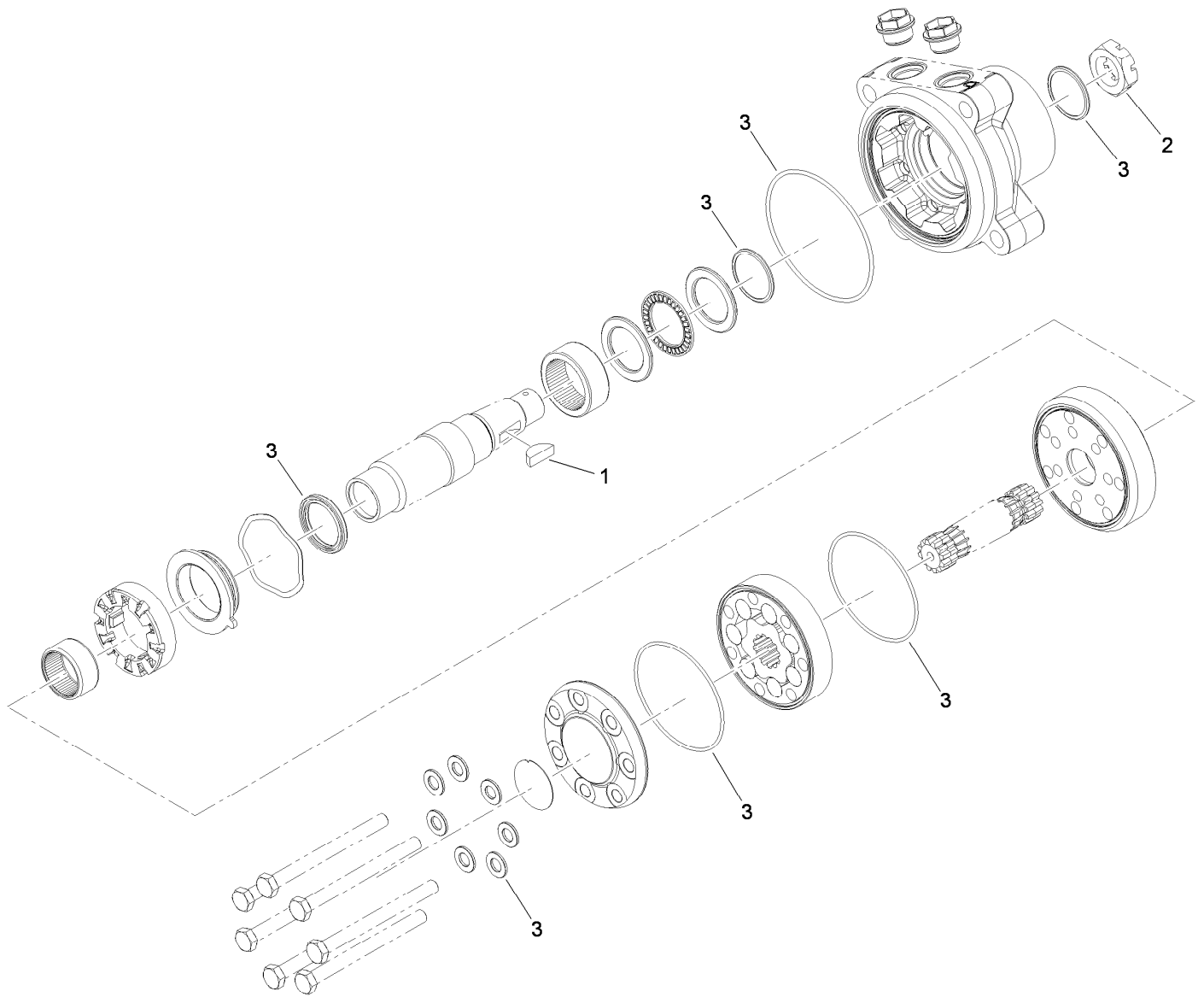
## Tandem Pump Assembly No. 107-9885

Ref.	Part Number	Qty.	Description	Ref.	Part Number	Qty.	Description
1	112-4168	1	Spacer	15	112-4157	8	Bolt
2	112-4151	1	Input Pump Shaft Kit	16	117-7842	2	Fitting-Straight
3	106-8753	4	Pin-Headless, Straight	17	117-7843	1	Hose ASM
4	112-4152	2	Arm-Trunnion	18	112-4160	1	Coupling
5	94-1910	2	Guide-Slot	19	112-4161	2	Bolt
6	112-4153	2	Swashplate	20	112-4162	1	Charge Pump Kit
7	112-4154	2	Bearing-Thrust	21	112-4163	1	Bracket-Support, Pump
8	108-2112	2	Cylinder Block Kit	22	112-4164	1	Charge Relief Kit
9	108-6801	2	Plate-Valve	23	112-4165	2	Bolt-HSH
10	112-4155	4	Shock Valve Kit	24	112-4166	2	Washer
11	104-2189	3	Plug-Thread, Straight	25	112-4167	1	Second Pump Shaft Kit
12	112-4156	1	Plug-Steel	26	112-4150	1	Overhaul Seal Kit
13	106-8759	2	Bypass Valve Kit	27	114-8155	1	Trunnion Seal Kit
14	104-2170	2	Pin				



## Hydraulic Motor Assembly No. 112-8358 (CW)

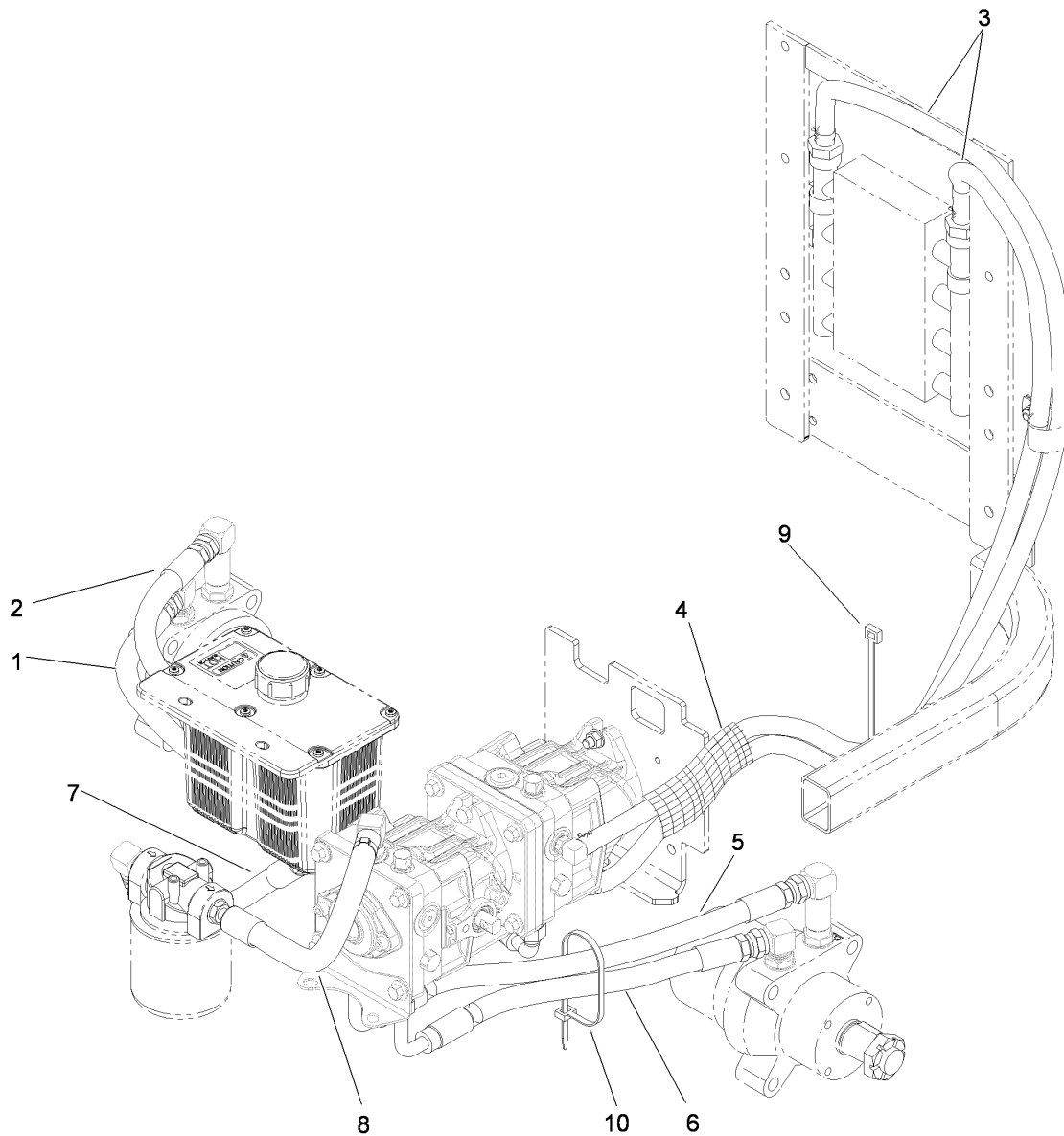
<i>Ref.</i>	<i>Part Number</i>	<i>Qty.</i>	<i>Description</i>
1	3257-42	1	Key-Woodruff
2	1-809036	1	Nut-HH
3	109-5966	1	Wheel Motor Seal Kit



## Hydraulic Motor Assembly No. 112-8357 (CCW)

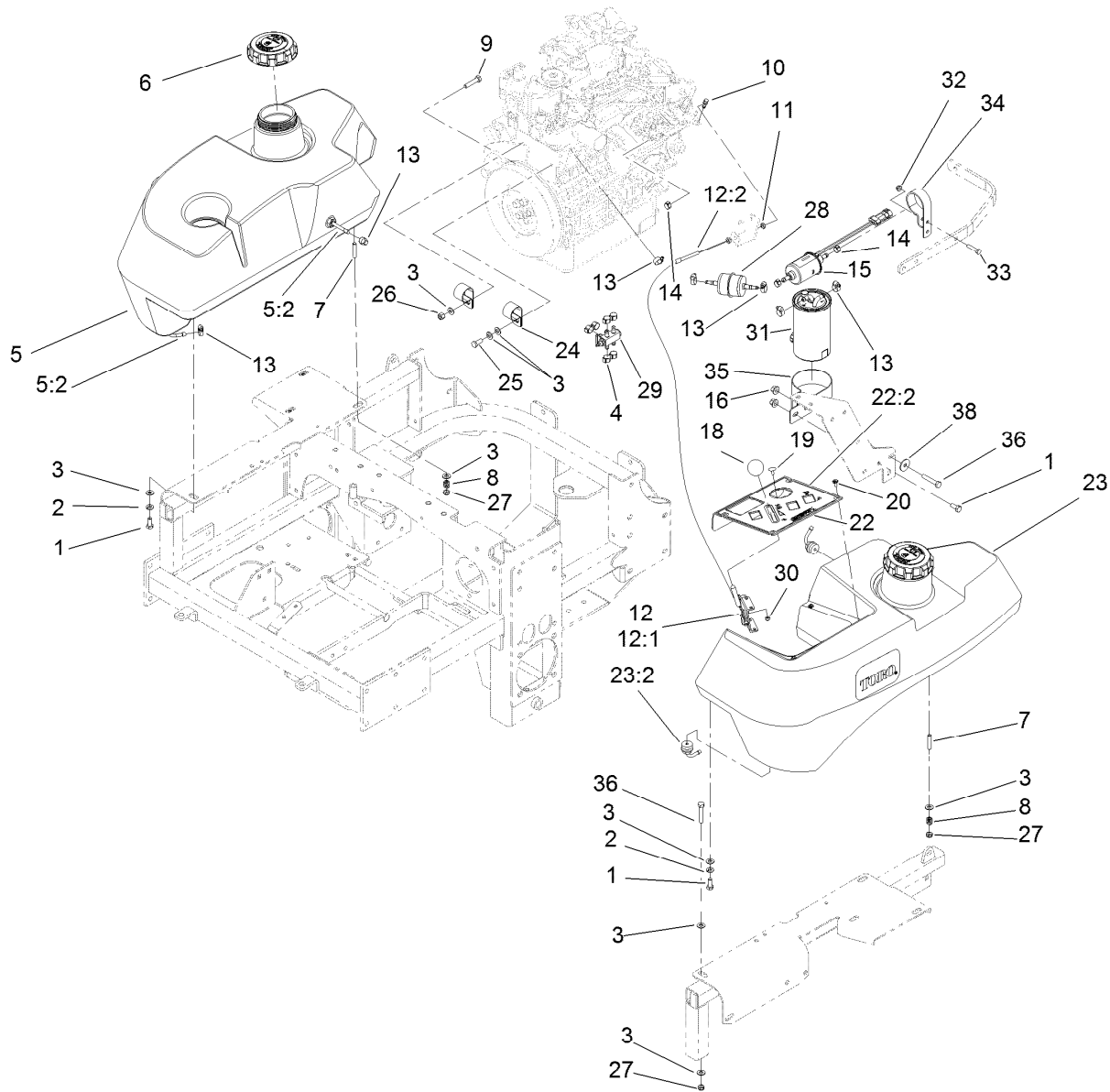
<i>Ref.</i>	<i>Part Number</i>	<i>Qty.</i>	<i>Description</i>
1	3257-42	1	Key-Woodruff
2	1-809036	1	Nut-HH
3	109-5966	1	Wheel Motor Seal Kit





## Hydraulic Hose System Assembly

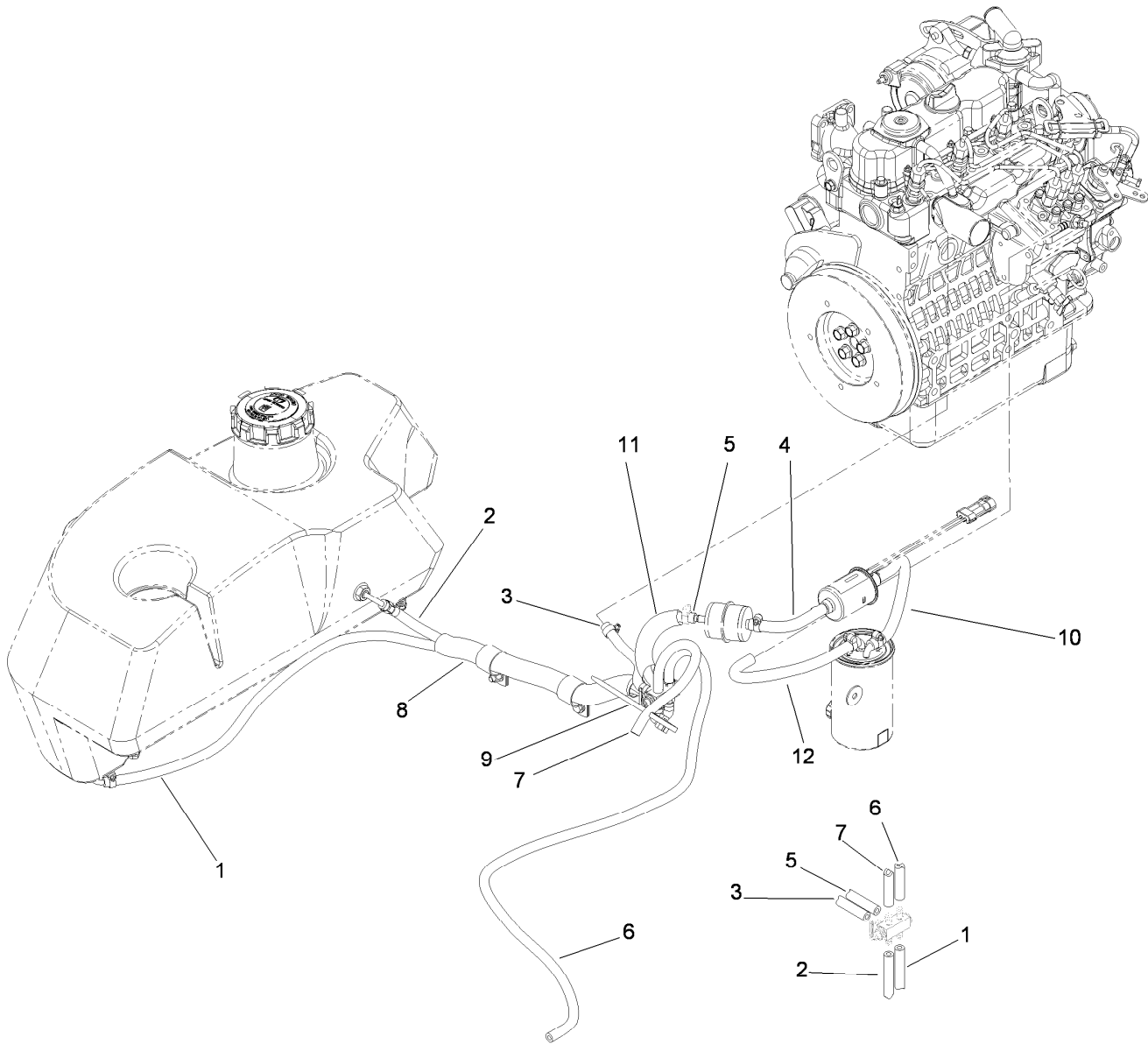
<i>Ref.</i>	<i>Part Number</i>	<i>Qty.</i>	<i>Description</i>
1	107-3495	1	Hydraulic Hose ASM
2	107-3490	1	Hydraulic Hose ASM
3	114-8169	2	Hose-Hydraulic
4	114-8201	1	Sleeve-Fabric
5	108-5318	1	Hydraulic Hose ASM
6	107-3491	1	Hydraulic Hose ASM
7	110-3854	1	Hydraulic Hose ASM
8	108-5374	1	Hydraulic Hose ASM
9	1-303335	1	Tie-Plastic
10	1-809066	1	Cable Tie-Plastic



## Fuel System and Throttle Control Assembly

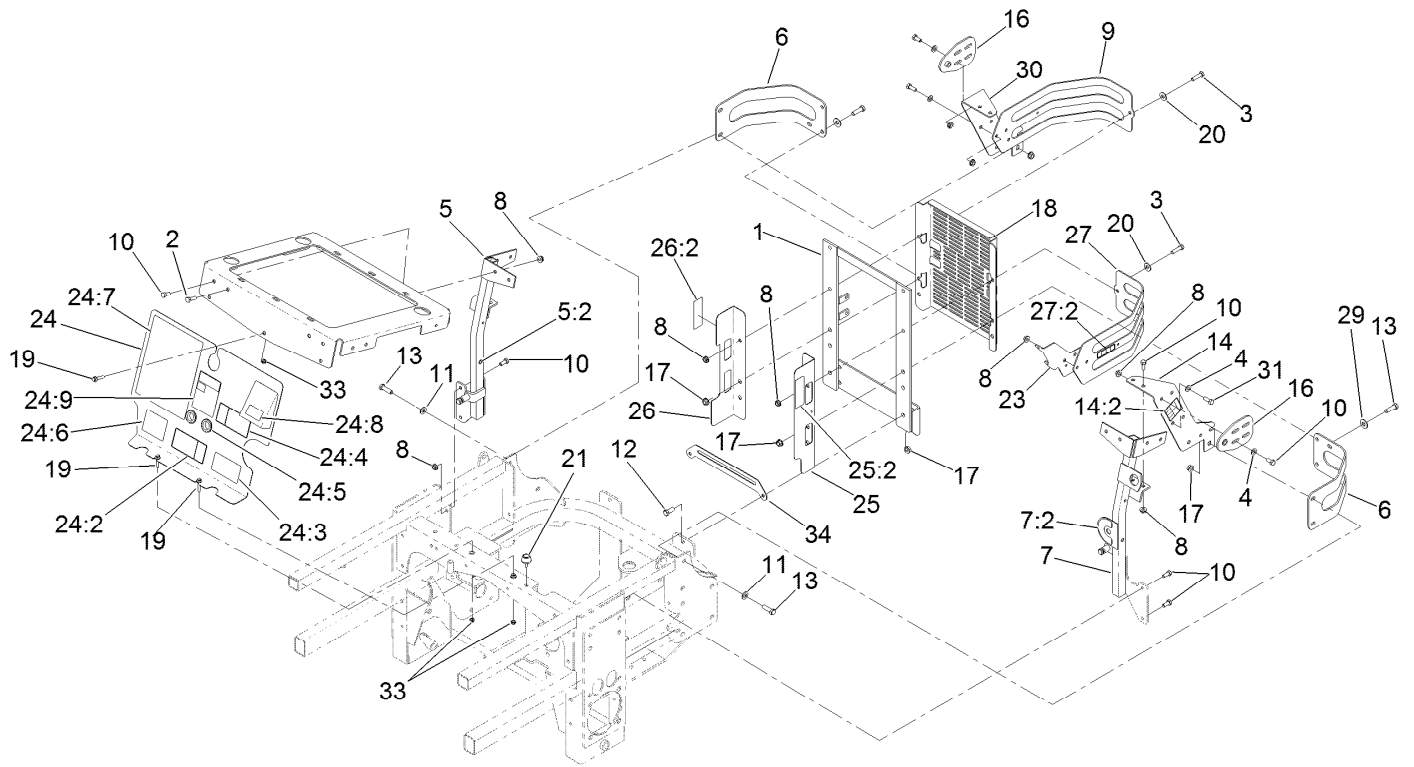
Ref.	Part Number	Qty.	Description
1	322-3	3	Screw-HH
2	1-805005	2	Washer-Lock
3	3256-23	11	Washer-Flat
4	1-643293	6	Clamp-Hose, Fuel
5	114-8221	1	RH Fuel Tank ASM
5:2	103-2615	2	Fitting-Fuel, Bulkhead
6	114-5062	2	Cap-Biodiesel
7	1-633023	6	Stud
8	1-633349	6	Spring-Tank, Fuel
9	322-7	1	Screw-HH
10	108-5928	1	Swivel-Stop, Cable
11	3220-1	2	Nut-Jam
12	108-5927	1	Cable-Control, Throttle
12:1	112-2333	1	Lever-Cable, Throttle
12:2	108-6337	1	Cable-Throttle
13	2412-108	9	Clamp-Worm
14	1-643277	3	Clamp-Hose, Fuel
15	110-8806	1	Pump-Fuel
16	3296-58	2	Nut-Lock, NI
18	1-603175	1	Knob-Ball

Ref.	Part Number	Qty.	Description
19	1-807513	2	Bolt-CARR
20	109-2661	4	Screw-PPH
22	117-0913	1	Control Panel ASM
22:2	121-7562	1	Decal-Panel, Control
23	114-8222	1	LH Fuel Tank ASM
23:2	103-2615	2	Fitting-Fuel, Bulkhead
24	1-643312	2	Clip-Loom
25	33114-020	1	Screw-HH
26	3296-29	1	Nut-Lock, NI
27	3296-47	6	Nut-Lock, NI
28	112-7836	1	Filter-Inline
29	1-643234	1	Valve-Fuel, Dual Flow
30	3296-2	2	Nut-Lock, NI
31	112-9188	1	Element-Filter, Fuel/Water
32	104-7201	1	Nut-Flange, NI
33	321-8	1	Screw-HH
34	110-8817	1	Bracket-Pump, Fuel
35	110-8807	1	Bracket-Filter, Fuel
36	322-9	1	Screw-HH
38	3256-82	1	Washer-Flat



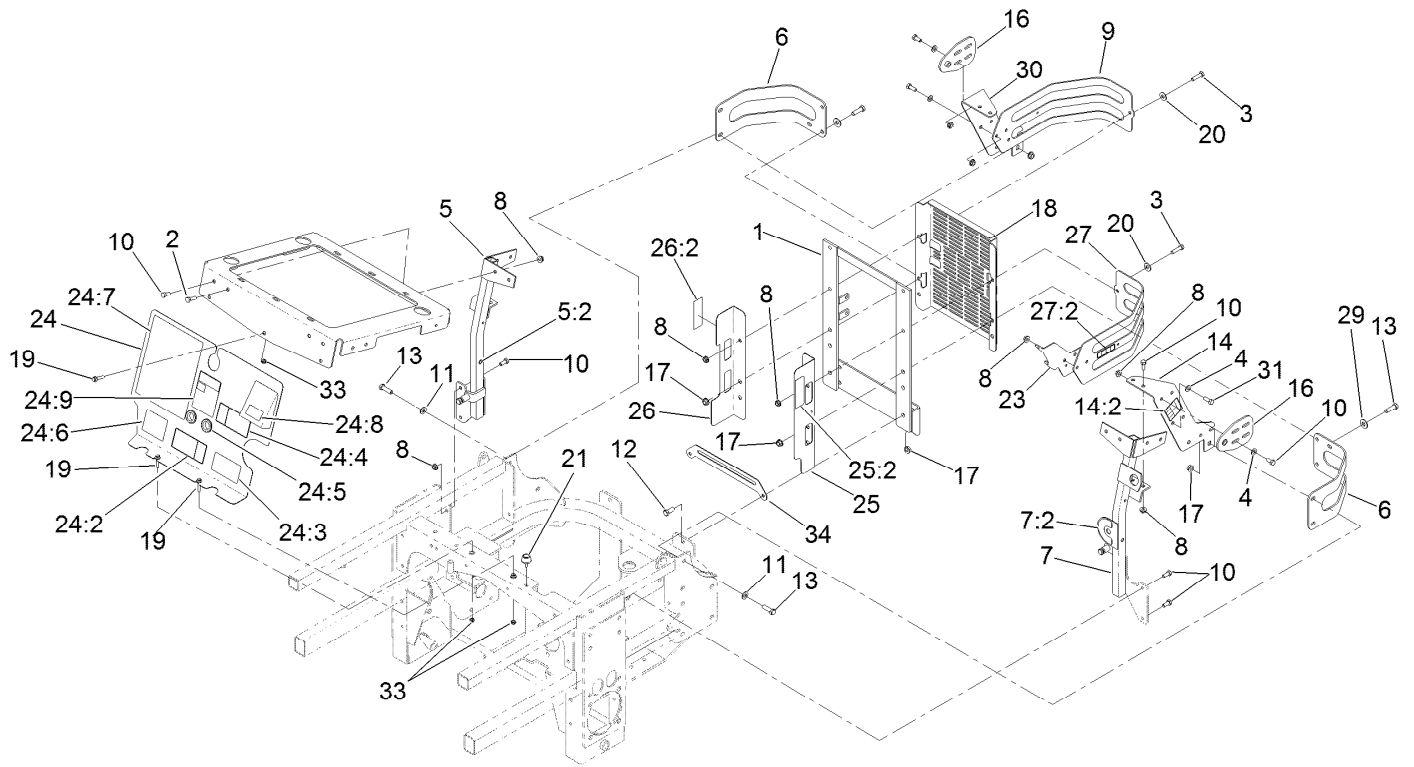
## Fuel Line Assembly

Ref.	Part Number	Qty.	Description
1	108-5376	1	Hose-Fuel
2	109-0301	1	Hose-Fuel
3	109-0306	1	Hose-Fuel
4	108-3283	1	Hose-Fuel
5	109-0303	1	Hose-Fuel
6	109-0275	1	Hose-Fuel
7	109-0297	1	Hose-Fuel
8	108-5377	1	Sleeve-Fabric
9	1-303335	1	Tie-Plastic
10	110-4124	1	Hose-Fuel
11	114-8224	1	Conduit-Fuel Line
12	110-4105	1	Hose-Fuel



## Engine Housing Assembly

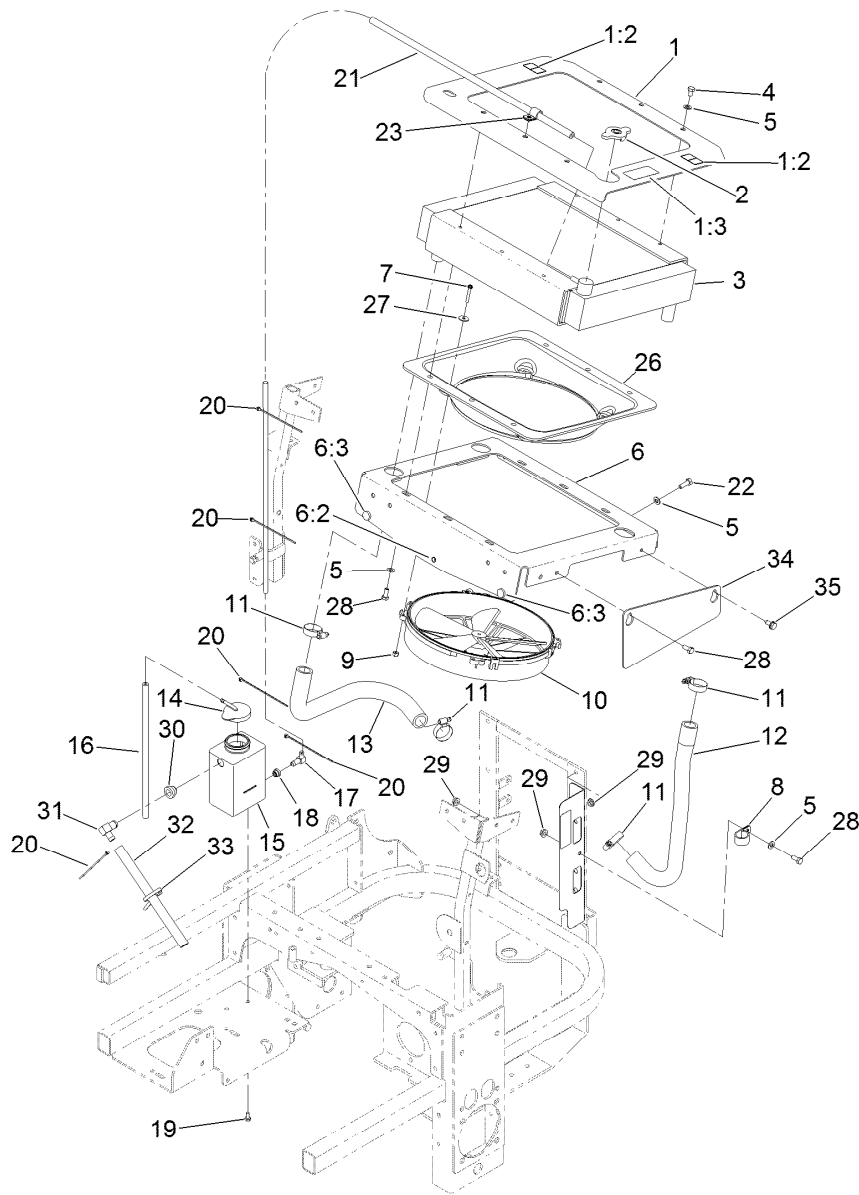
<i>Ref.</i>	<i>Part Number</i>	<i>Qty.</i>	<i>Description</i>	<i>Ref.</i>	<i>Part Number</i>	<i>Qty.</i>	<i>Description</i>
1	107-9934-03	1	Support-Radiator, Rear	20	3256-3	2	Washer-Flat
2	322-5	2	Screw-HH	21	109-2365	2	Bumper-Rubber
3	322-6	2	Screw-HH	23	119-0393-03	1	Bracket-Relay, Fuse
4	3256-23	8	Washer-Flat	24	136-5518	1	Front Engine Shield ASM
5	114-1170	1	RH Radiator Brace ASM	24:2	110-3853	1	Decal-Danger, Rotating Devices
5:2	32148-11	1	Insert-Threaded	24:3	108-5955	1	Decal-Routing, Hydro Belt
6	131-8670-03	2	Guard-Lower, Rear	24:4	110-3852	1	Decal- Warning, Buzzer
7	110-3870	1	LH Radiator Brace ASM	24:5	100-3815	2	Grommet-Rubber
7:2	107-2114	1	Decal-Valve, Fuel	24:6	108-5957	1	Decal-Routing, Clutch Belt
8	32128-20	22	Nut-HF	24:7	136-5510	1	Decal-Check, Service
9	131-8669-03	1	Guard-Upper, Rear	24:8	110-0806	1	Decal-Caution
10	322-3	14	Screw-HH	24:9	104-2449	1	Decal-Coolant
11	3256-24	3	Washer-Flat	25	110-0879	1	Guard-Fan, LH (CE)
12	323-6	3	Screw-HH	25:2	107-7719	1	Decal-Danger
13	323-7	4	Screw-HH	26	110-0888	1	Guard-Fan, RH (CE)
14	119-6650	1	LH Support Bracket ASM	26:2	107-7719	1	Decal-Danger
14:2	119-0398	1	Decal-Fuse	27	131-8738	1	Guard-Upper Rear W/Decal
16	108-5345-03	2	Plate-Pivot, Hood	27:2	119-0397	1	Decal-Relay
17	3290-357	7	Nut-HHF, Whiz	29	3256-4	2	Washer-Flat
18	112-8302-03	1	Shield-Cooler	30	108-5339-03	1	Bracket-Support, RH
19	3234-21	3	Screw-HHF				



## Engine Housing Assembly (continued)

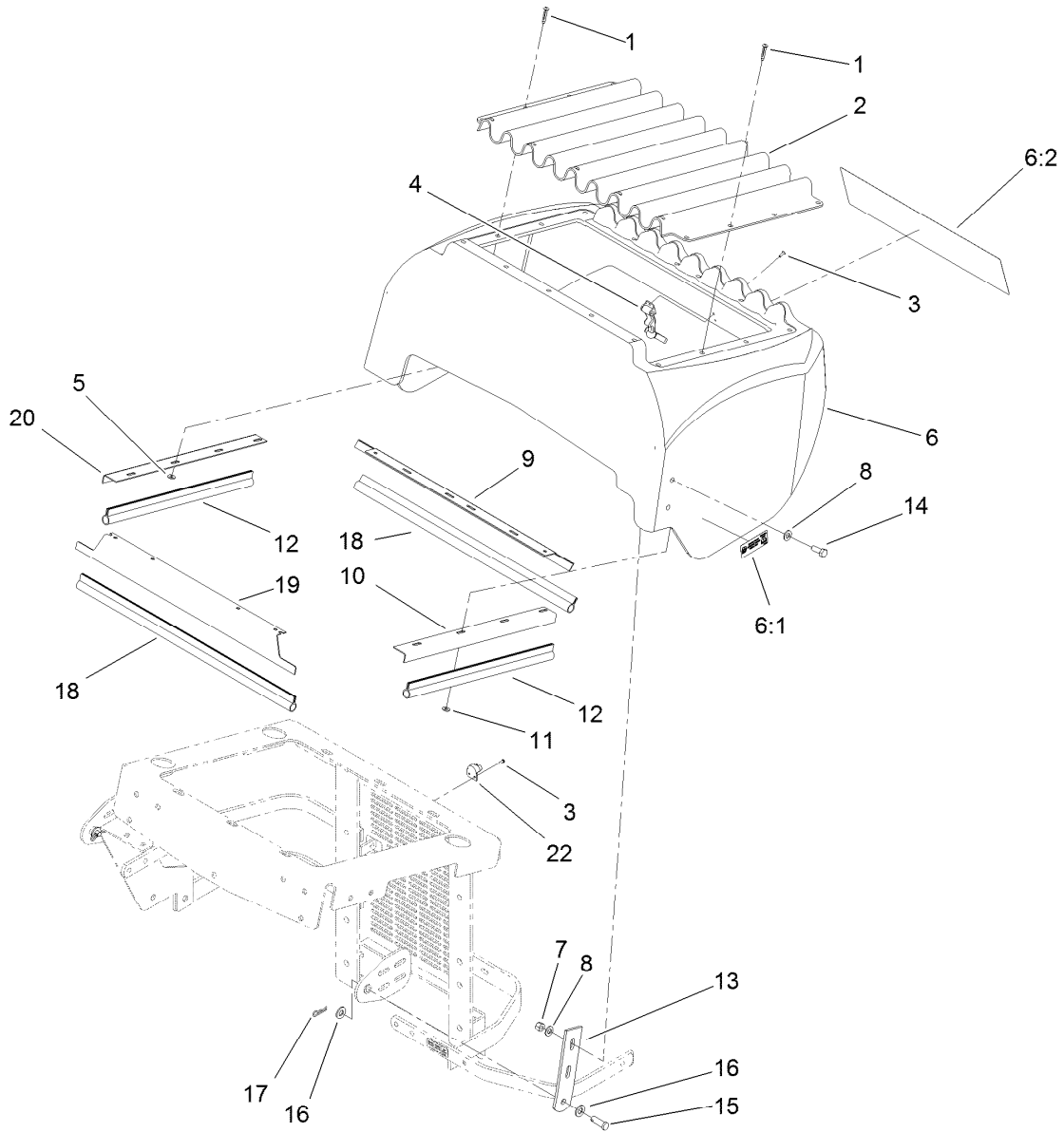
<i>Ref.</i>	<i>Part Number</i>	<i>Qty.</i>	<i>Description</i>
31	322-4	4	Screw-HH

<i>Ref.</i>	<i>Part Number</i>	<i>Qty.</i>	<i>Description</i>
33	3296-56	3	Nut-Lock, NI
34	131-8679-03	1	Shield-Fan



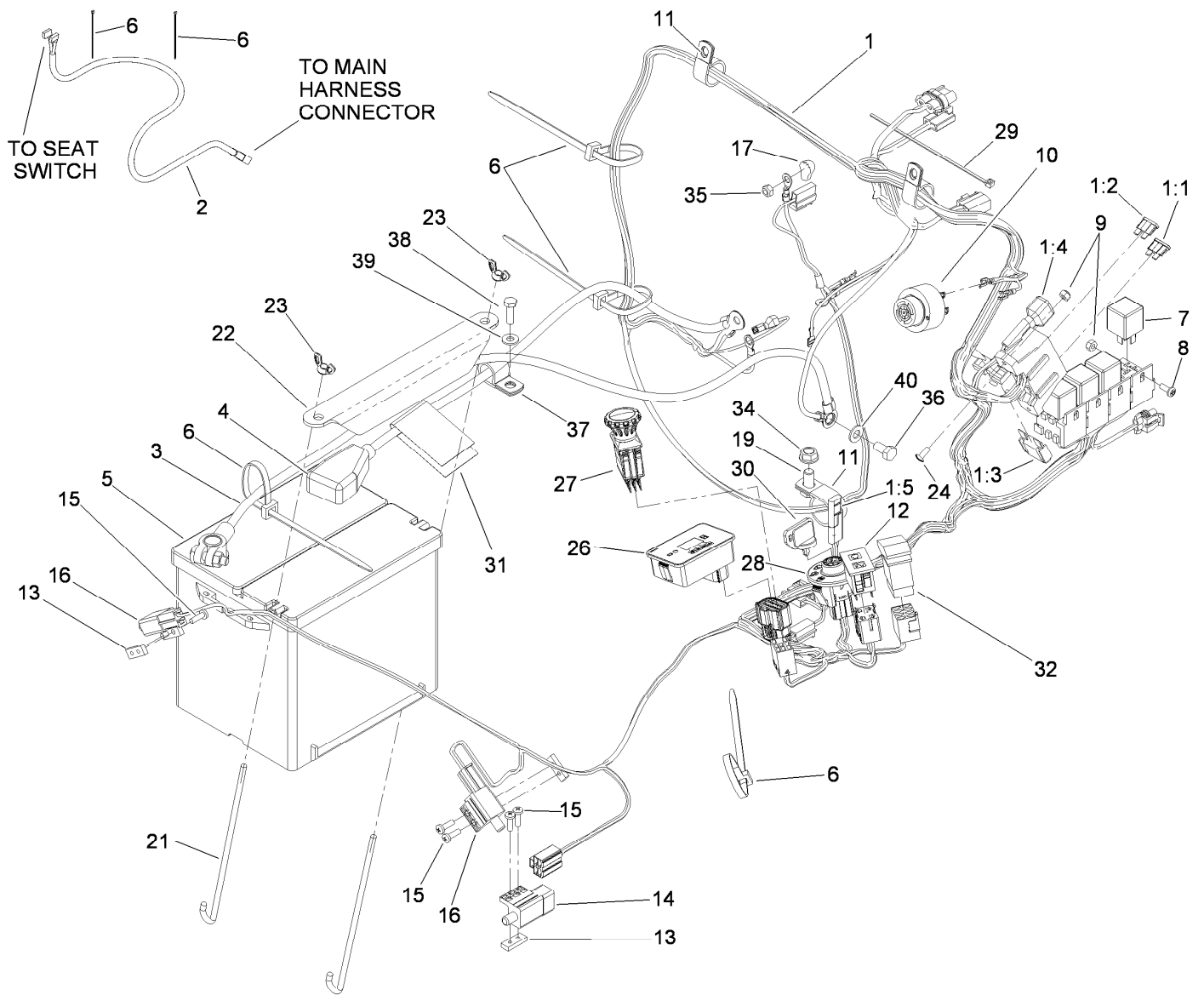
## Cooling System Assembly

<i>Ref.</i>	<i>Part Number</i>	<i>Qty.</i>	<i>Description</i>	<i>Ref.</i>	<i>Part Number</i>	<i>Qty.</i>	<i>Description</i>
1	110-3845	1	Top Radiator Plate ASM	16	1-603954	1	Hose-Line, Fuel
1:2	93-8069	2	Decal-Surface, Hot	17	46-6550	1	Fitting-Elbow, 90 DEG
1:3	110-3842	1	Decal-Antifreeze	18	1-513645	1	Bushing-Valve, Fuel
2	1-643161	1	Cap-Radiator	19	321-2	2	Screw-HH
3	107-9932	1	Radiator	20	1-303287	6	Tie-Cable
4	322-1	6	Screw-HH	21	103-1428	1	Hose-Overflow
5	3256-23	16	Washer-Flat	22	322-5	5	Screw-HH
6	131-8748	1	Bottom Radiator Plate ASM	23	1-603727	1	Clip-Loom
6:2	32148-6	1	Insert-Nut	26	108-5971	1	Shroud-Cooling, Engine
6:3	1-513658	2	Bumper	27	3256-67	4	Washer-Flat
7	108-5988	4	Screw-HWH	28	322-3	8	Screw-HH
8	1-643312	1	Clip-Loom	29	32128-20	3	Nut-HF
9	1-804254	4	Nut-Lock, HH	30	104-0790	1	Bushing
10	1-633831	1	Fan	31	117-0943	1	Fitting-Elbow
11	2412-34	4	Clamp-Hose	32	115-4969	1	Hose-Overflow
12	108-5372	1	Hose-Radiator, LH	33	1-303335	1	Tie-Plastic
13	108-5904	1	Hose-Outlet, Engine	34	131-8678-03	2	Shield-Radiator
14	1-643164	1	Cap-Tank, Overflow	35	32144-70	2	Screw-HWHTF
15	117-0941	1	Tank-Overflow				



## Hood Assembly

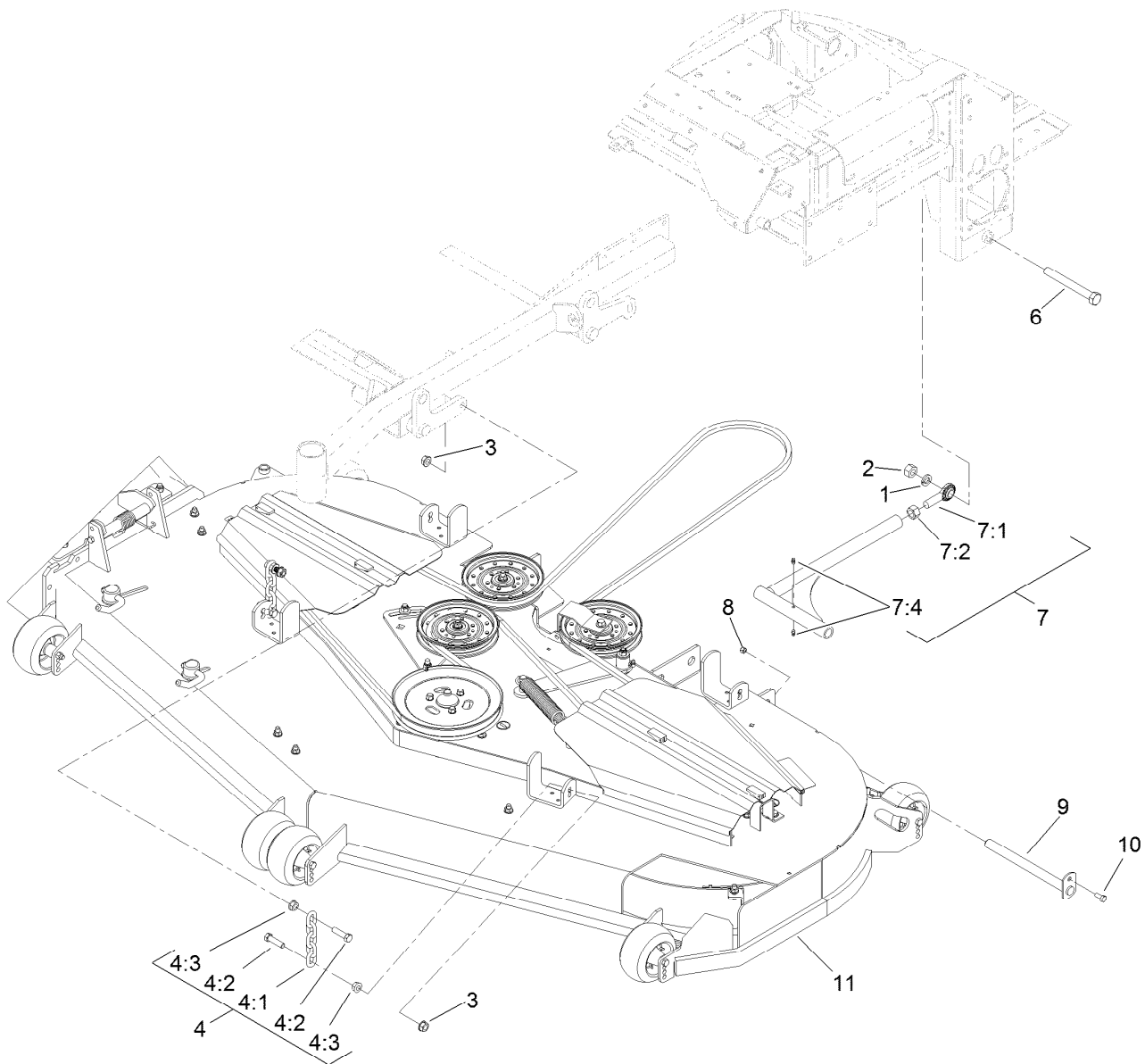
<i>Ref.</i>	<i>Part Number</i>	<i>Qty.</i>	<i>Description</i>	<i>Ref.</i>	<i>Part Number</i>	<i>Qty.</i>	<i>Description</i>
1	1-803072	17	Rivet	11	3256-14	12	Washer-Flat
2	1-633864-03	1	Screen-Radiator	12	1-643186	2	Seal-Trim
3	923786	4	Rivet	13	108-5337-03	2	Plate-Hinge, Hood
4	1-643188	1	Latch-Rubber	14	322-4	4	Screw-HH
5	1-303435	4	Washer-Spring	15	1-808285	2	Pin-Clevis
6	114-8225	1	Hood ASM	16	3256-24	4	Washer-Flat
6:1	114-9600	2	Decal-Low Sulfur	17	1-806003	2	Pin-Cotter
6:2	136-5521	1	Decal	18	1-643187	2	Seal-Trim
7	3296-29	4	Nut-Lock, NI	19	1-643107-03	1	Angle-Radiator, Top
8	3256-23	8	Washer-Flat	20	1-643106-03	1	Angle-Radiator, RH
9	1-643108-03	1	Angle-Radiator, Bottom	22	1-643189	1	Keeper-Latch, Rubber
10	1-643105-03	1	Angle-Radiator, LH				



## Electrical Assembly

Ref.	Part Number	Qty.	Description	Ref.	Part Number	Qty.	Description
1	119-0351	1	Harness-Wire	17	1-643178	1	Cap-Insulator, Red
1:1	218-578	1	Fuse-Blade, 10 Amp	19	323-4	1	Screw-HH
1:2	109103	1	Fuse-Blade, 30 Amp	21	103-1312	2	Bolt-Holddown
1:3	94-8002	1	Fuse-Blade, 50 Amp	22	103-1311-03	1	Holddown-Battery
1:4	100-4918	1	Diode	23	1-543792	2	Wingnut
1:5	116-0053	1	Cap-Plug	24	1-803075	2	Screw-Head, Truss
2	103-1227	1	Harness-Wiring, Seat	26	116-5609	1	Module ASM
3	110-0303	1	Cable-Battery, Negative	27	116-0124	1	Switch-PTO, 10 Amp
4	110-0304	1	Cable-Battery, Positive	28	117-2221	1	Switch-Ignition
5	106-5187	1	Battery-Dry	29	1-303287	1	Tie-Cable
6	1-303335	7	Tie-Plastic	30	63-8360	2	Key-Ignition
7	1-643275	4	Relay	31	107-9309	1	Decal-Instructions, Charging
8	1-803071	2	Screw	32	110-0811	1	Switch-Rocker
9	3296-2	4	Nut-Lock, NI	34	3290-357	1	Nut-HHF, Whiz
10	103-0205	1	Alarm-Tone, Dual	35	33023-00	1	Nut-Lock
11	1-643312	3	Clip-Loom	36	33114-016	1	Screw-HH
12	100-8071	1	Lamp-Warning	37	1-633396	2	Clip-Loom
13	1-633181	3	Plate-Tapped	38	321-5	2	Screw-HH
14	1-633111	1	Switch	39	3256-22	2	Washer-Flat
15	3290-500	6	Screw-PPH	40	3256-23	1	Washer-Flat
16	1-513051	2	Switch-Open, Normally				



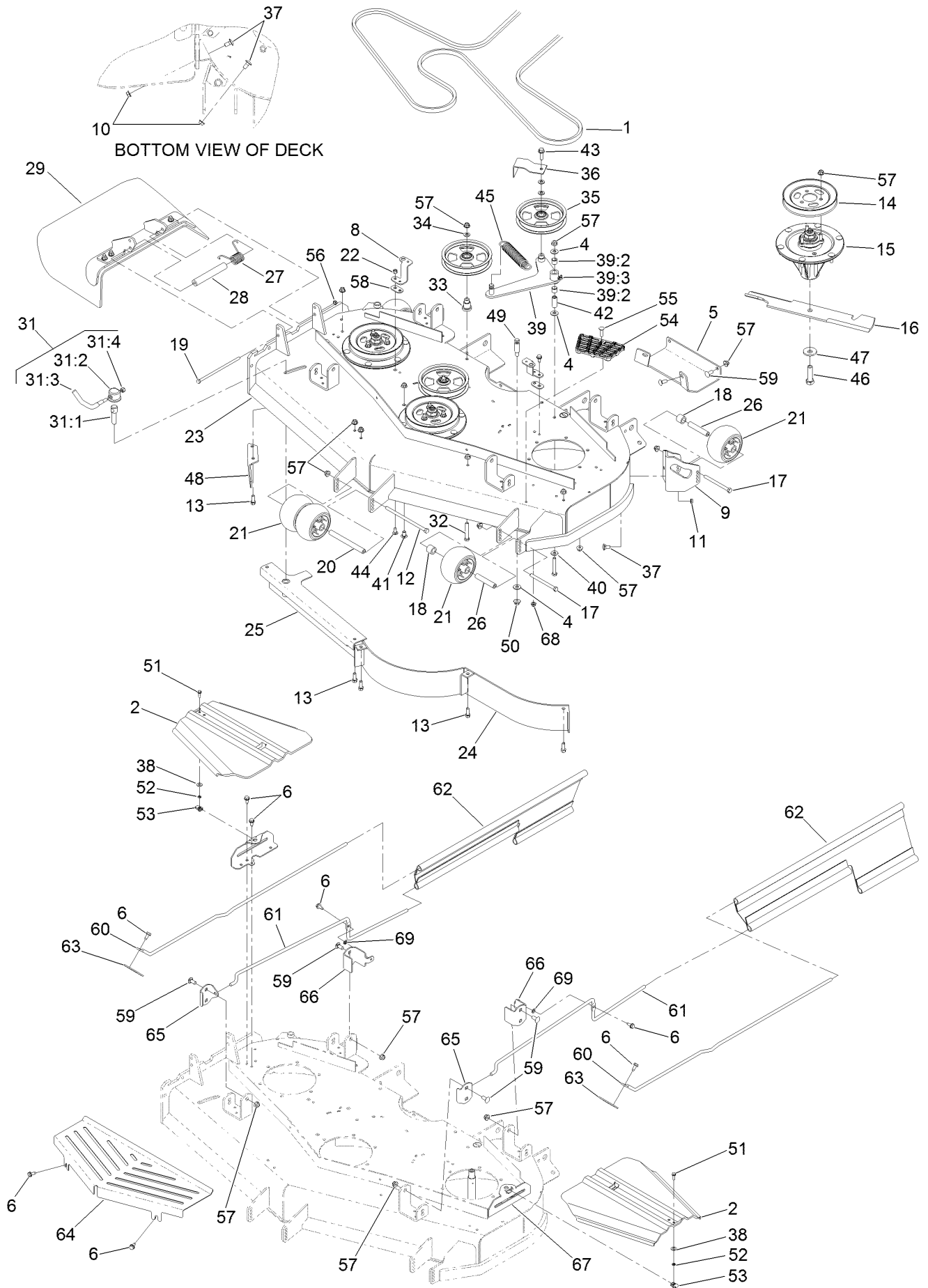


## Deck Connection Assembly

Ref.	Part Number	Qty.	Description	Ref.	Part Number	Qty.	Description
1	3253-8	2	Washer-Lock	7	108-5969	2	Strut ASM
2	3217-11	2	Nut-Hex	7:1	1-633029	1	Balljoint-Spherical
3	32128-37	8	Nut-HF	7:2	3219-6	1	Nut-Hex
4	103-9792	4	Deck Chain ASM	7:4	109-1380	1	Fitting-Grease
4:1	1-633447	1	Chain-Lift, Deck	8	3296-29	2	Nut-Lock, NI
4:2	103-1898	2	Screw-HH	9	1-632199-01	2	Pin-Strut
4:3	32128-37	2	Nut-HF	10	322-3	2	Screw-HH
6	327-28	2	Screw-HH	11		1	Deck ASM ●

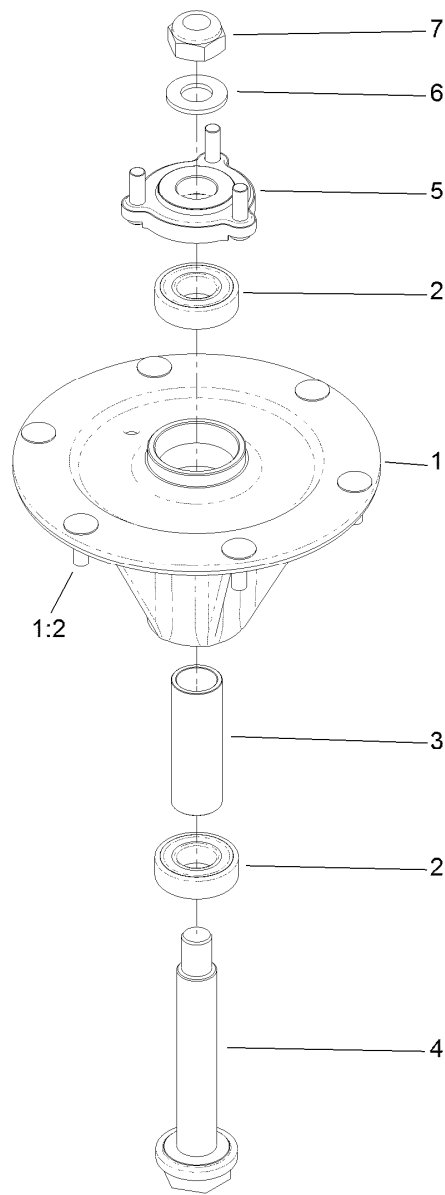
● Not serviced separately

# Deck Assembly



## Deck Assembly (continued)

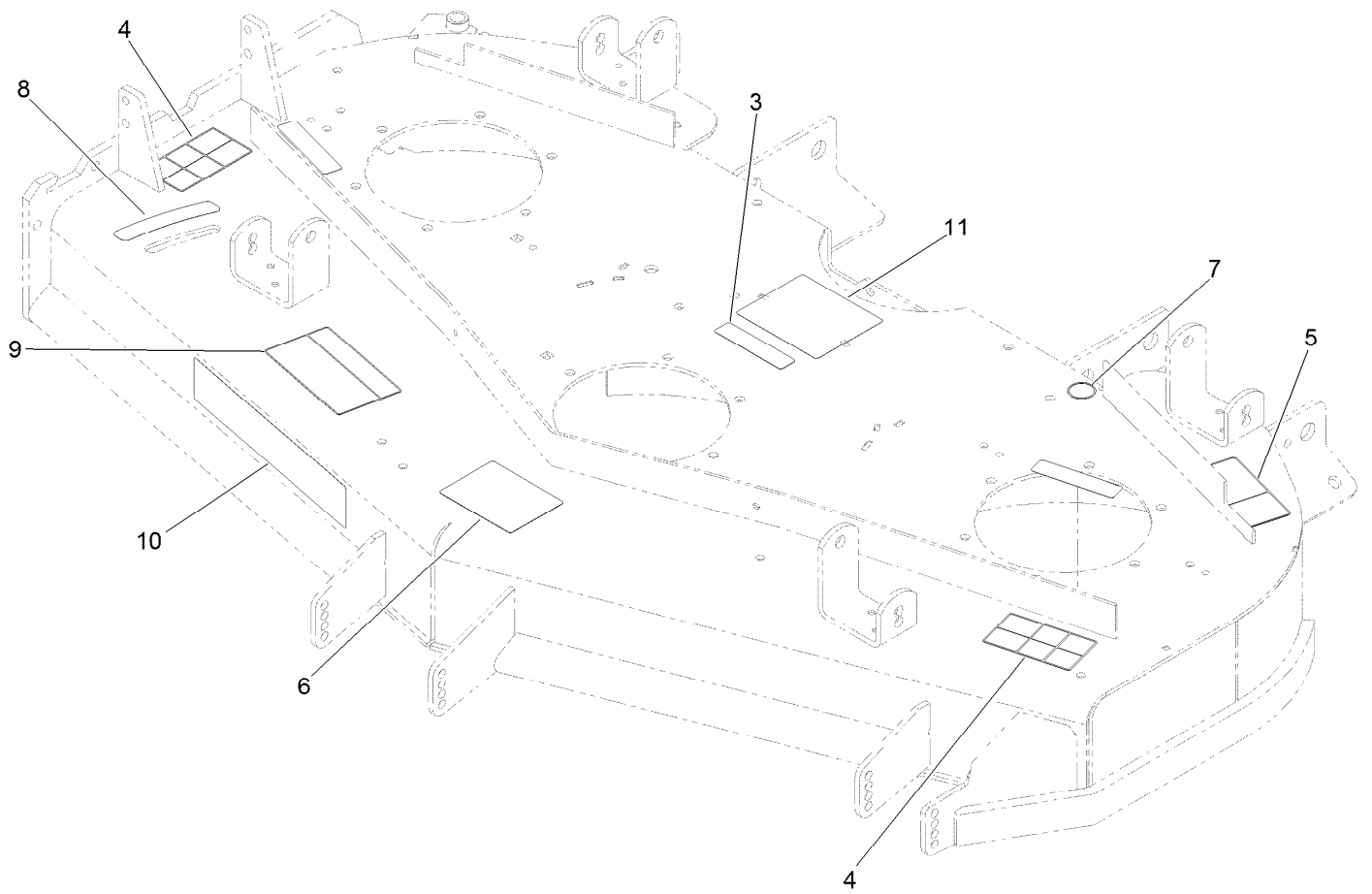
<i>Ref.</i>	<i>Part Number</i>	<i>Qty.</i>	<i>Description</i>	<i>Ref.</i>	<i>Part Number</i>	<i>Qty.</i>	<i>Description</i>
1	108-5951	1	Belt-V	38	73-0041	2	Washer-Thrust
2	107-8536	2	Cover-Belt	39	108-5949	1	Deck Idler Arm ASM
4	3256-4	3	Washer-Flat	39:2	103-4681	2	Sleeve-Bearing
5	106-7358-01	1	Plate-Skid	39:3	302-40	1	Fitting-Grease, 90 DEG
6	32144-70	11	Screw-HWHTF	40	98-5975	1	Washer-Belleville
8	108-2177-01	2	Bracket-Cover, Tall	41	3231-21	1	Screw-CARR
9	106-7354-01	1	Mount-Wheel, LH	42	1-603044	1	Bushing
10	3290-357	4	Nut-HHF, Whiz	43	3234-24	1	Screw-HHF
11	3296-59	3	Nut-Lock, NI	44	3230-23	1	Screw-CARR
12	108-5388	1	Screw-HH	45	110-0822	1	Spring-Extension
13	92-1624	6	Screw-HWH	46	51-4060	3	Screw-Blade
14	108-5979	3	Pulley-B Section	47	103-0865	3	Washer-Blade Bolt, Heavy
15	127-0560	3	Spindle ASM	48	106-3216-01	1	Baffle-Discharge
16	105-7781-03	3	Blade-18In, Hi Flow	49	110-0801	1	Pin-Threaded, Spring Anchor
17	323-23	3	Screw-HH	50	32128-19	1	Nut-HF
18	98-7913	3	Tube-Spacer	51	32105-15	2	Screw-HWH
19	322-50	1	Screw-HH	52	106-8737	2	Nut-Retainer
20	98-5967	1	Spacer-Wheel	53	107069	2	Clip
21	1-603299	5	Roller-Scalp, Anti	54	126-4781-03	1	Step-Deck
22	3296-29	1	Nut-Lock, NI	55	3230-3	1	Screw-CARR
23	131-7716	1	Deck Decal ASM	56	3296-47	1	Nut-Lock, NI
24	105-7754-01	1	Baffle	57	104-8301	49	Nut-Flange, NI
25	105-7755-01	1	Baffle	58	119-4222-01	2	Spacer-Belt Cover
26	98-7912	3	Tube-Spanner	59	3231-27	8	Screw-CARR
27	108-4052	1	Spring-Torsion	60	131-4004	2	Rod-Support, Upper
28	105-4622	1	Spacer	61	131-4006	2	Rod-Support, Lower
29	108-2792	1	Rubber Deflector ASM	62	131-4029	2	Guard-Side
31	107-1664	1	Lever ASM	63	131-4003-03	2	Bracket-Mounting, Upper Rod
31:1	106-3239	1	Screw-Lock	64	131-3983-03	1	Shield-Front
31:2	107-1644	1	Cap-Lock	65	131-4198-03	2	Bracket-Mounting, Front
31:3	106-3241	1	Lever-Lock	66	131-4199-03	2	Bracket-Mounting, Rear
31:4	3296-29	1	Nut-Lock, NI	67	131-4002-03	2	Bracket-Support, Spindle Cover
32	323-12	3	Screw-HH	68	104-8300	1	Nut-Flange, NI
33	106-3214	2	Mount-Pulley	69	117-2749	2	Nut-Push
34	3256-24	4	Washer-Flat				
35	132-9424	3	Pulley-Idler, Flat				
36	108-7220-01	1	Guide-Belt				
37	3231-1	7	Screw-CARR				



## Spindle Assembly No. 127-0560

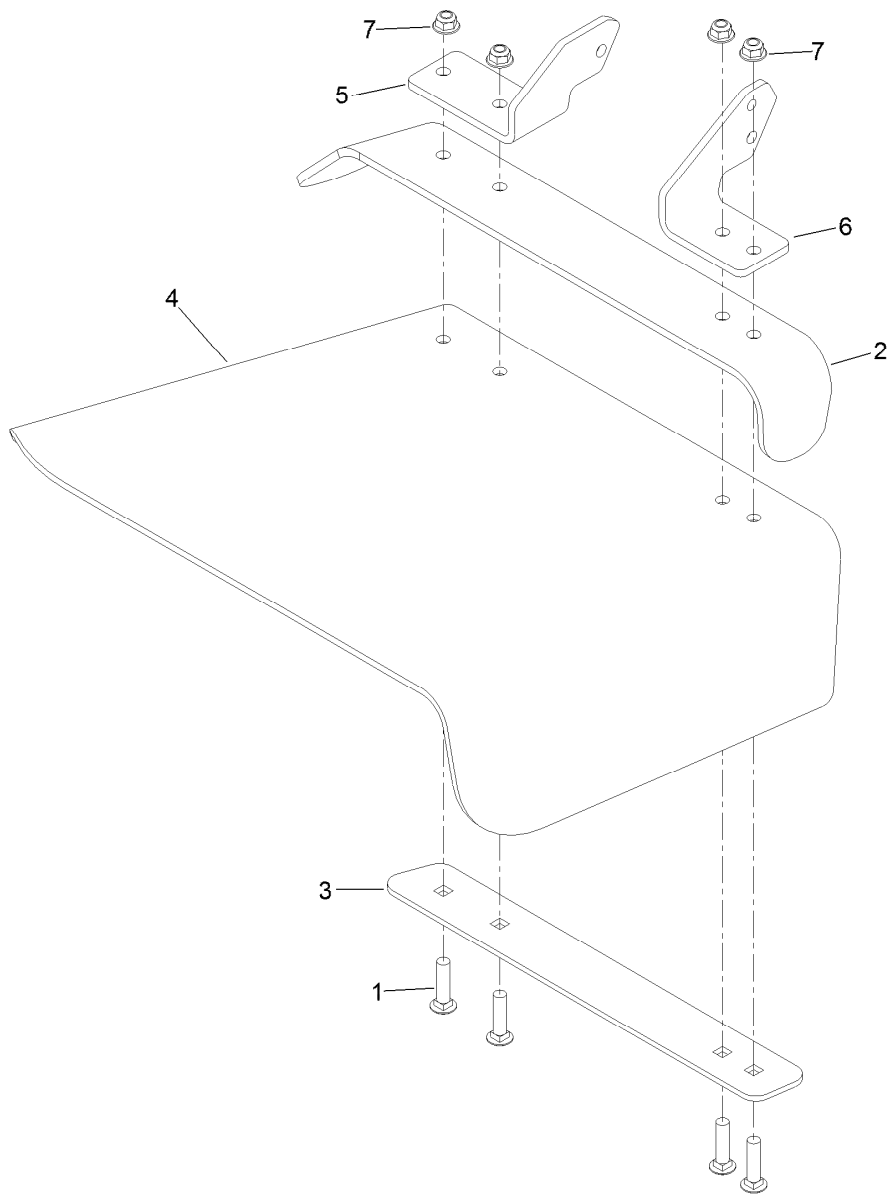
<i>Ref.</i>	<i>Part Number</i>	<i>Qty.</i>	<i>Description</i>
1		1	Spindle Housing ASM W/Studs ●
1:2	114-8195	6	Bolt-Ribbed Neck
2	116-0720	2	Bearing-Ball
3	127-0554	1	Spacer-Bearing
4	127-0556	1	Shaft-Spindle, Ball Bearing
5	127-0557	1	Hub-Spindle (W/Studs)
6	92-5836	1	Washer
7	3296-67	1	Nut-Lock, NI

● Not serviced separately



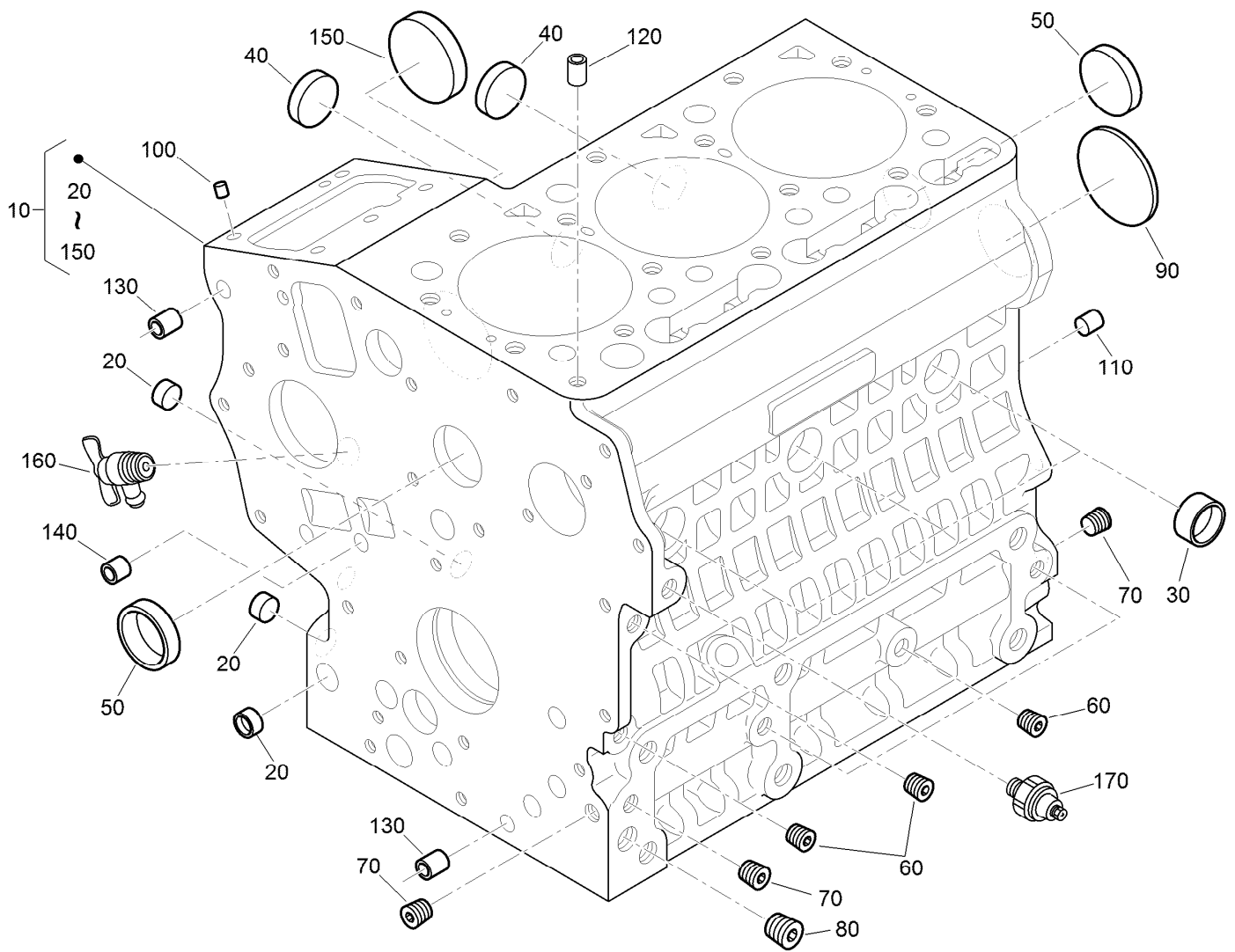
## Deck Decal Assembly No. 131-7716

<i>Ref.</i>	<i>Part Number</i>	<i>Qty.</i>	<i>Description</i>
3	98-1977	3	Decal-Warning
4	93-7010	2	Decal-Danger
5	93-7818	1	Decal-Torque, Blade Bolt
6	127-0326	1	Decal-Anti Scalp
7	58-6520	1	Decal-Grease
8	110-2067	1	Decal-Setting, Baffle
9	110-2068	1	Decal-Adjustment, Baffle
10	107-1618	1	Decal
11	108-5981	1	Decal-Routing, Belt



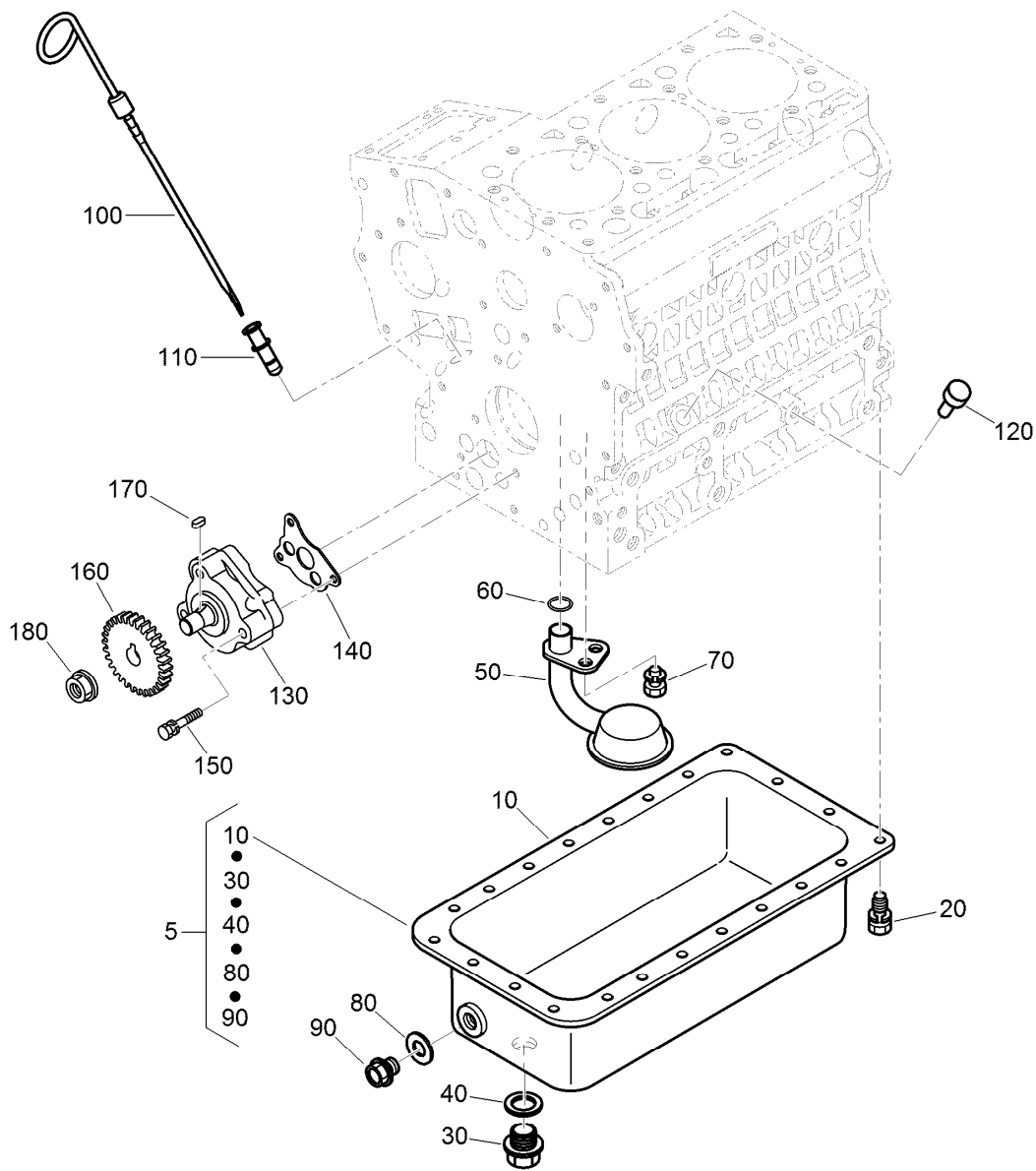
## Rubber Deflector Assembly No. 108-2792

<i>Ref.</i>	<i>Part Number</i>	<i>Qty.</i>	<i>Description</i>
1	3231-4	4	Screw-CARR
2	106-3246-01	1	Deflector
3	106-3248-03	1	Strap-Discharge
4	108-5029	1	Deflector-Rubber
5	108-4059-01	1	Plate-Hinge, Rear
6	106-3253-01	1	Plate-Hinge, Front
7	104-8301	4	Nut-Flange, NI



## Crankcase Assembly

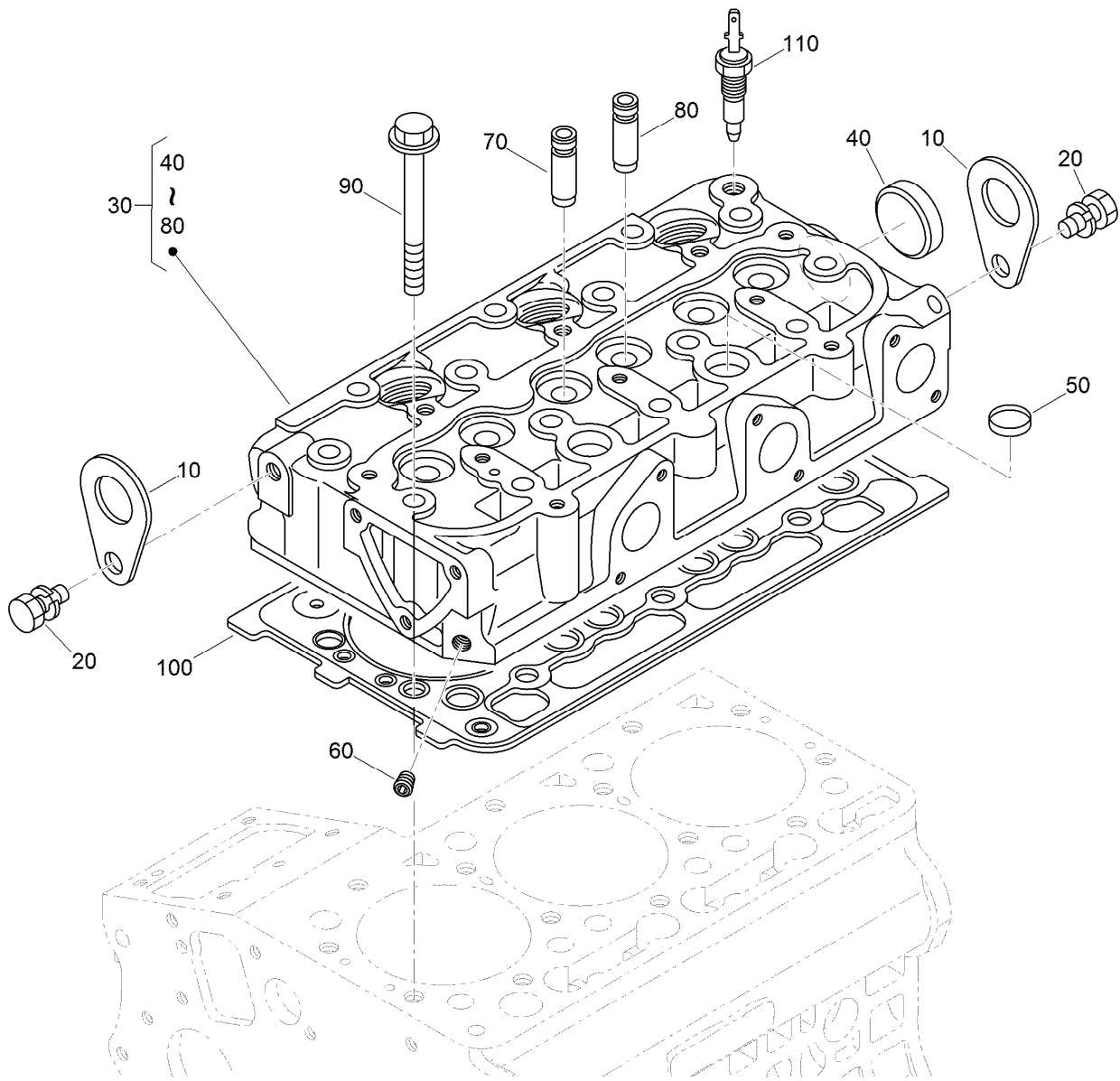
<i>Ref.</i>	<i>Part Number</i>	<i>Qty.</i>	<i>Description</i>	<i>Ref.</i>	<i>Part Number</i>	<i>Qty.</i>	<i>Description</i>
10	120-3120	1	Crankcase ASM	100	98-9375	2	Pin-Straight
20	100-2019	3	Cap-Sealing	110	98-9377	2	Pin-Straight
30	100-2020	3	Cap-Sealing	120	98-7506	1	Pin-Pipe
40	110-3702	2	Cap-Sealing	130	100-2051	2	Pin-Pipe
50	98-9398	2	Cap-Sealing	140	100-2051	2	Pin-Pipe
60	98-9687	5	Plug	150	100-1991	1	Cover-Fuel, Camshaft
70	98-7487	3	Plug	160	120-3121	1	Draincock ASM
80	98-7488	1	Plug	170	100-2230	1	Switch-Oil
90	100-1851	1	Plug-Expansion				



## Oil Pan, Oil Pump and Dipstick Assembly

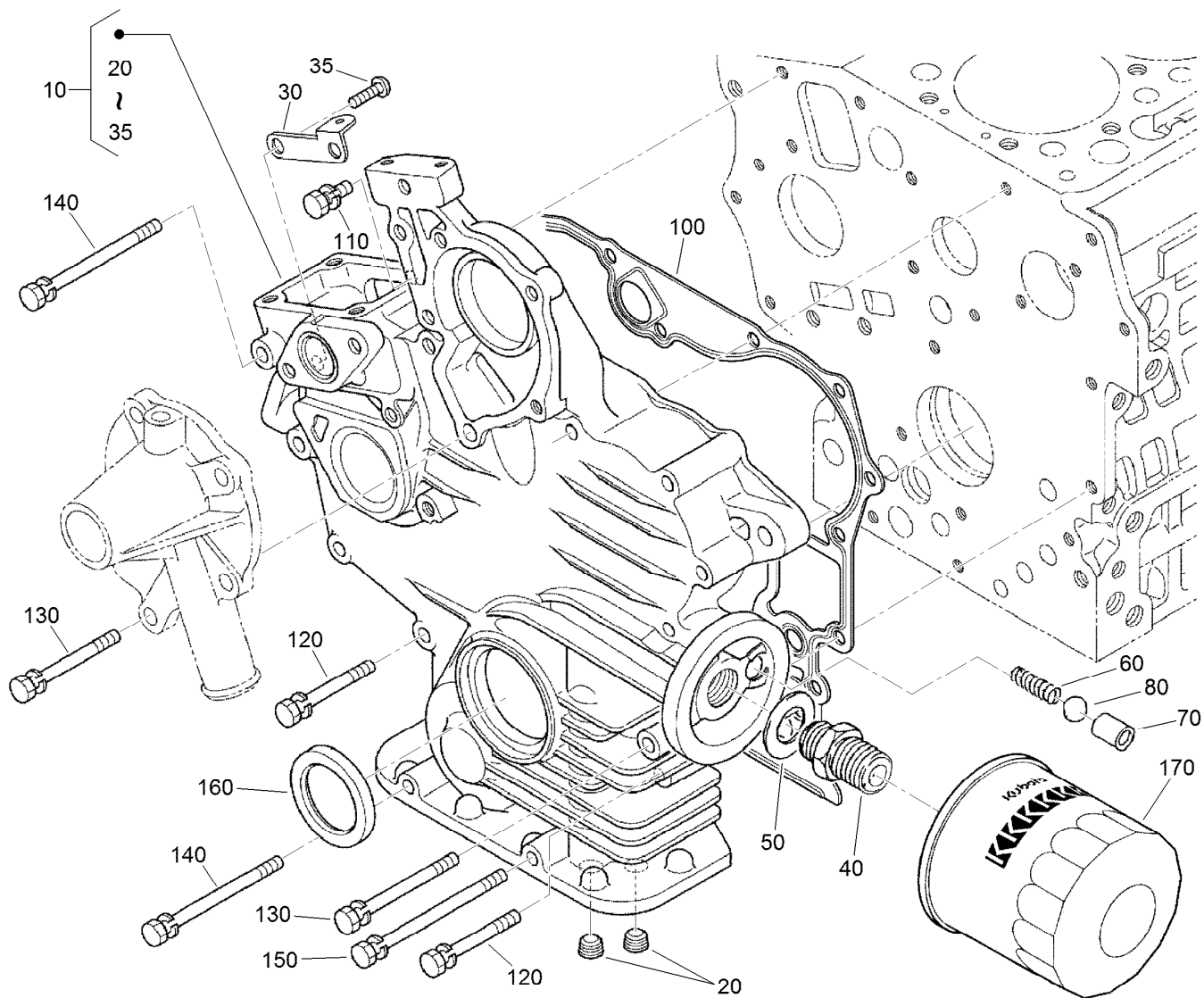
Ref.	Part Number	Qty.	Description	Ref.	Part Number	Qty.	Description
5	112-8327	1	Oil PAN Kit	100	110-3719	1	Gauge-Oil
10	112-2523	1	PAN-Oil	110	105-4580	1	Guide-Gauge, Oil
20	98-9350	22	Bolt	120	110-3720	1	Plug-Gauge, Oil
30	114-8151	1	Plug-Drain	130	100-2002	1	Oil Pump ASM
40	110-9715	1	Gasket-PAN, Oil	140	100-2003	1	Gasket-Pump, Oil
50	100-2001	1	Strainer-Pickup, Oil	150	100-1923	3	Bolt
60	105-3776	1	O-Ring	160	130-1419	1	Gear-Drive, Oil Pump
70	100-9195	1	Bolt	170	98-7658	1	Key-Feather
80	98-7524	1	Gasket	180	100-1779	1	Nut-Flange
90	98-9686	1	Plug-Drain				





## Cylinder Head Assembly

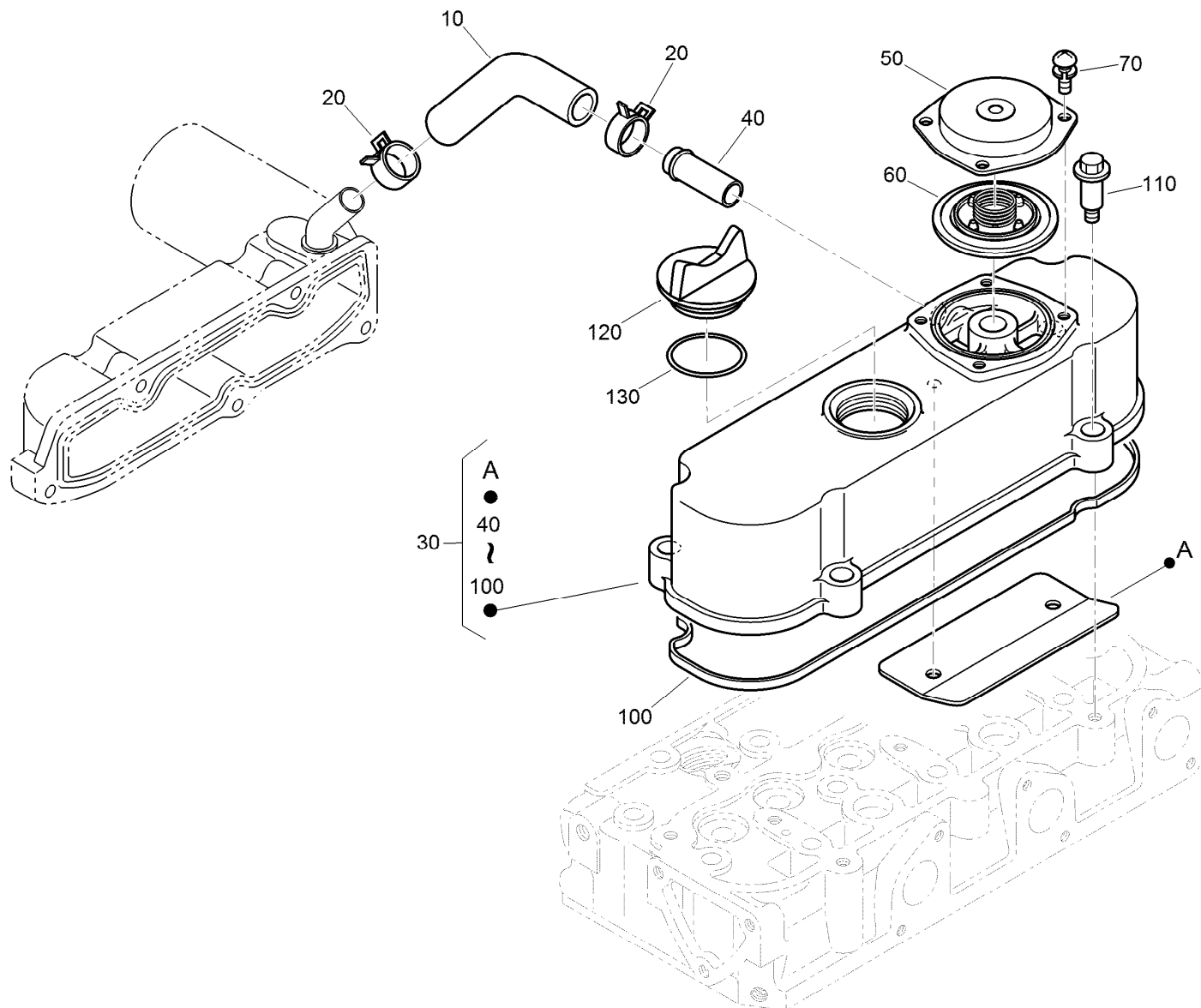
<b>Ref.</b>	<b>Part Number</b>	<b>Qty.</b>	<b>Description</b>
10	98-7531	2	Hook-Engine
20	98-7526	2	Bolt
30	130-1504	1	Cylinder Head ASM
40	105-3705	1	Cap-Sealing
50	98-9389	2	Cap-Sealing
60	98-9687	1	Plug
70	100-1882	3	Guide-Valve, Inlet
80	100-1883	3	Guide-Valve, Exhaust
90	100-1820	14	Bolt-Head, Cylinder
100	112-2520	1	Gasket-Head, Cylinder
110	99-3582	1	Thermoswitch



## Gear Case and Oil Filter Cartridge Assembly

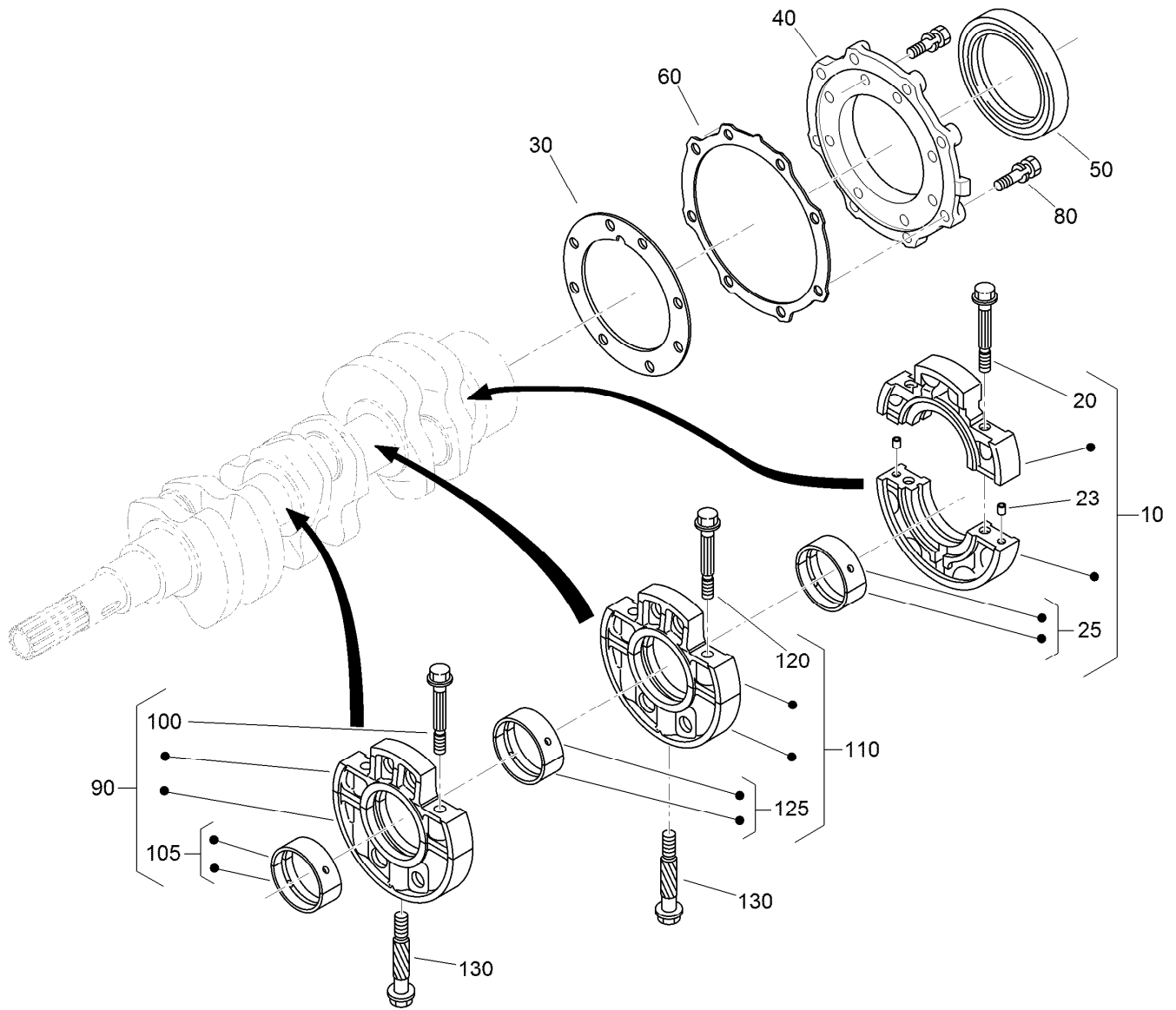
Ref.	Part Number	Qty.	Description
10	110-3707	1	Case-Gear
20	98-7488	2	Plug
30	110-3708	1	Stay-Spring, Start
35	100-2040	2	Screw
40	98-9388	1	Joint-Pipe
50	100-1926	1	Washer-Plain
60	100-2004	1	Spring
70	100-1894	1	Seat-Valve
80	100-1792	1	Ball

Ref.	Part Number	Qty.	Description
100	117-0327	1	Gasket-Case, Gear
110	127-0403	1	Bolt-Flange
120	125-9063	9	Bolt-Sems
130	100-1922	2	Bolt
140	98-9357	2	Bolt
150	110-3710	1	Bolt
160	120-7852	1	Seal-Oil
170	115-8189	1	Filter-Oil, Engine



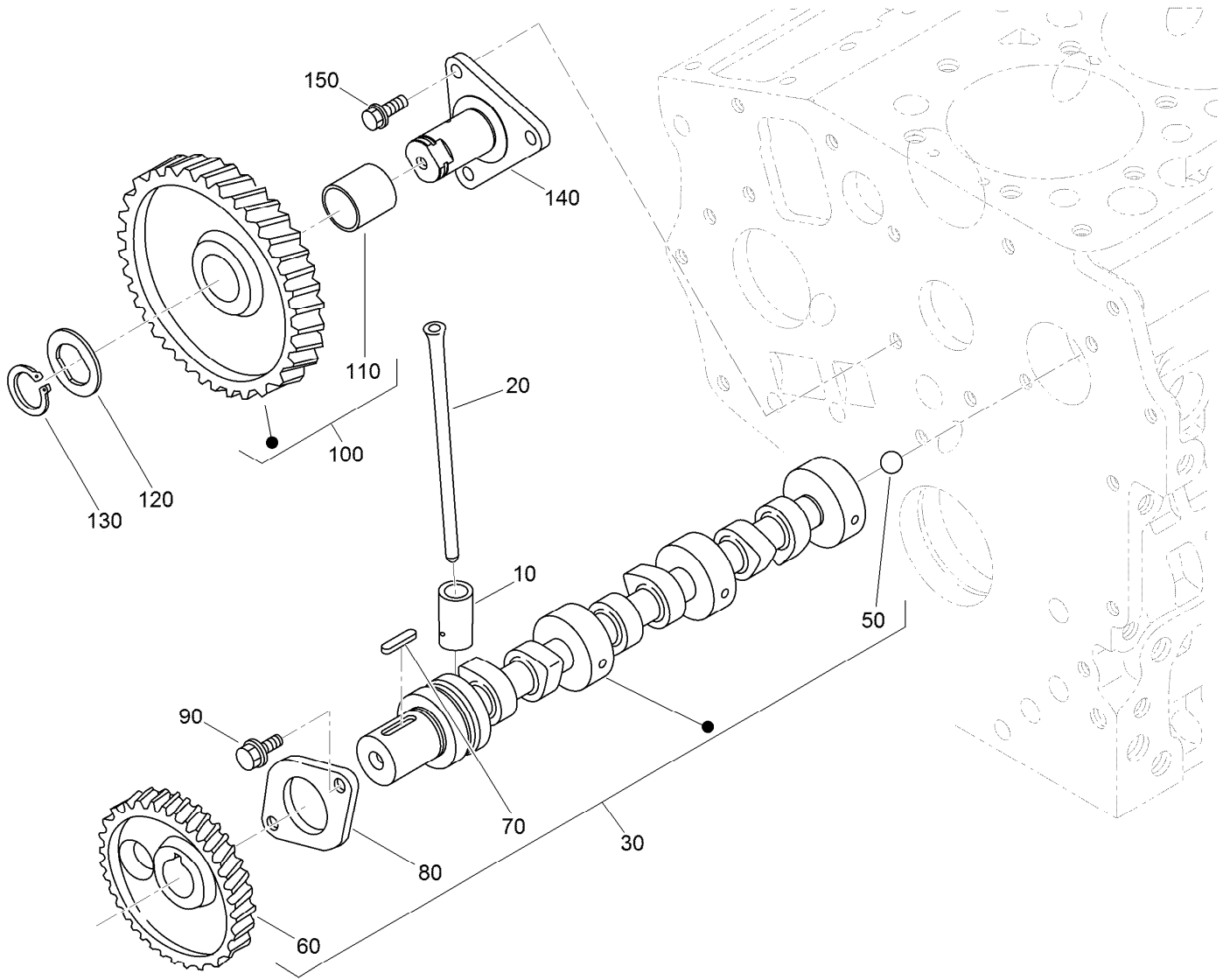
## Cylinder Head Cover Assembly

Ref.	Part Number	Qty.	Description
10	120-3139	1	Tube-Breather
20	110-3712	2	Clamp-Hose
30	112-8332	1	Cylinder Head Cover ASM
40	98-9580	1	Pipe-Return, Water
50	110-3714	1	Cover-Breather
60	110-3715	1	Valve-Breather
70	98-9364	4	Screw (With Washer)
100	112-2521	1	Gasket-Cover, Head
110	108-7063	4	Bolt
120	107-9075	1	Plug-Filler, Oil
130	99-3446	1	O-Ring



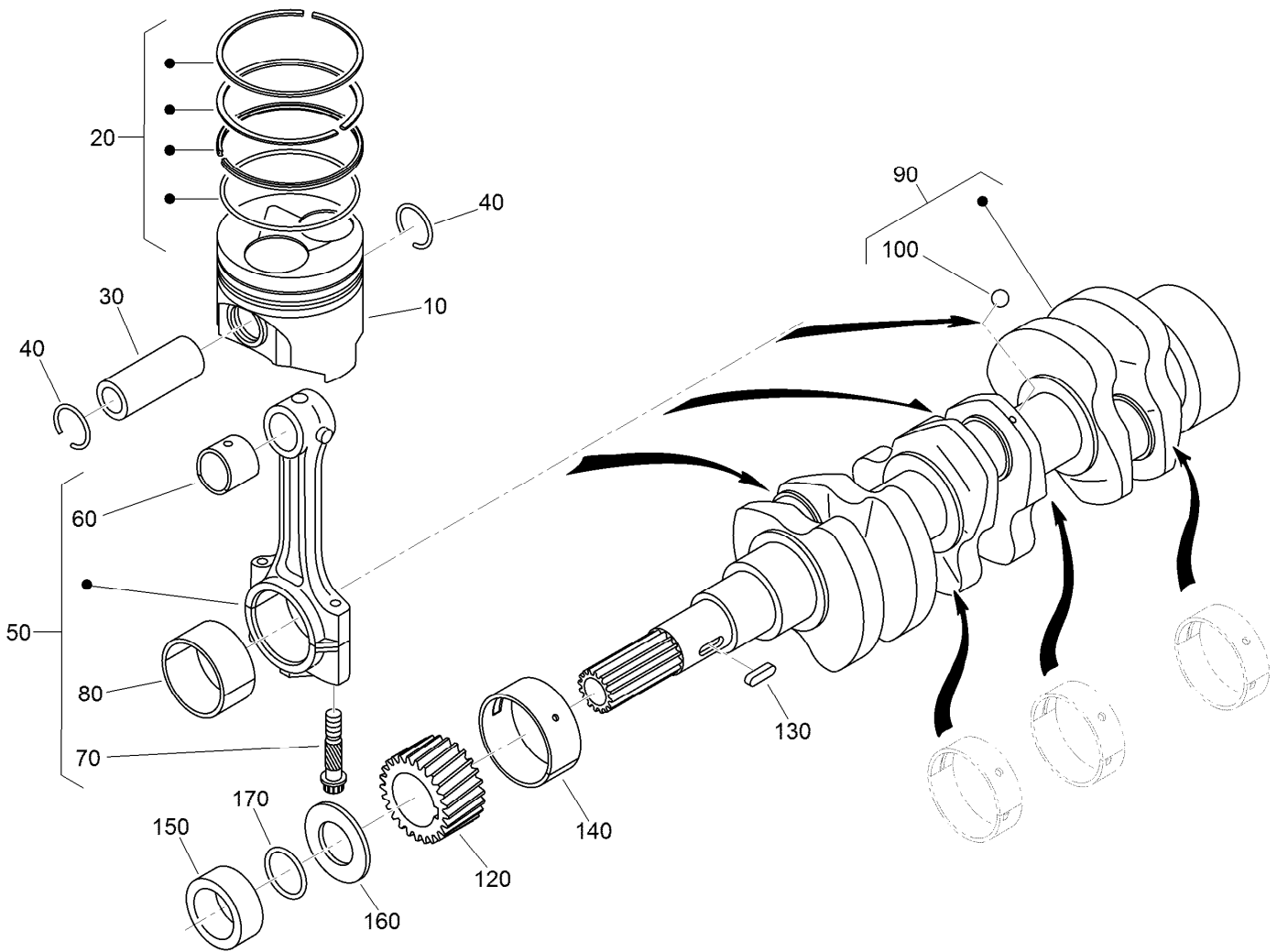
## Main Bearing Case Assembly

Ref.	Part Number	Qty.	Description	Ref.	Part Number	Qty.	Description
10	125-9064	1	Wheel Bearing Case ASM	105	110-3741	1	Crankshaft Metal ASM (STD)
20	125-9065	2	Bolt-Flange	105	125-9083	1	Crankshaft Metal ASM (-0.20Mm)
23	125-9082	2	Pin-Straight	105	110-3743	1	Crankshaft Metal ASM (-0.40Mm)
25	125-9066	1	Crankshaft Metal ASM (STD)	110	125-9069	1	Main Case Bearing ASM
25	125-9067	1	Crankshaft Metal ASM (-0.20Mm)	120	110-3723	2	Bolt-Case, Bearing
25	125-9068	1	Crankshaft Metal ASM (-0.40Mm)	125	110-3741	1	Crankshaft Metal ASM (STD)
30	100-1873	1	Gasket-Case, Bearing	125	125-9083	1	Crankshaft Metal ASM (-0.20Mm)
40	112-8334	1	Cover-Case, Bearing	125	110-3743	1	Crankshaft Metal ASM (-0.40Mm)
50	110-3724	1	Seal-Oil	130	100-1874	2	Bolt-Case, Bearing
60	100-1876	1	Gasket-Cover, Case				
80	100-1750	16	Bolt				
90	110-3725	1	Main Bearing Case ASM				
100	110-3723	2	Bolt-Case, Bearing				



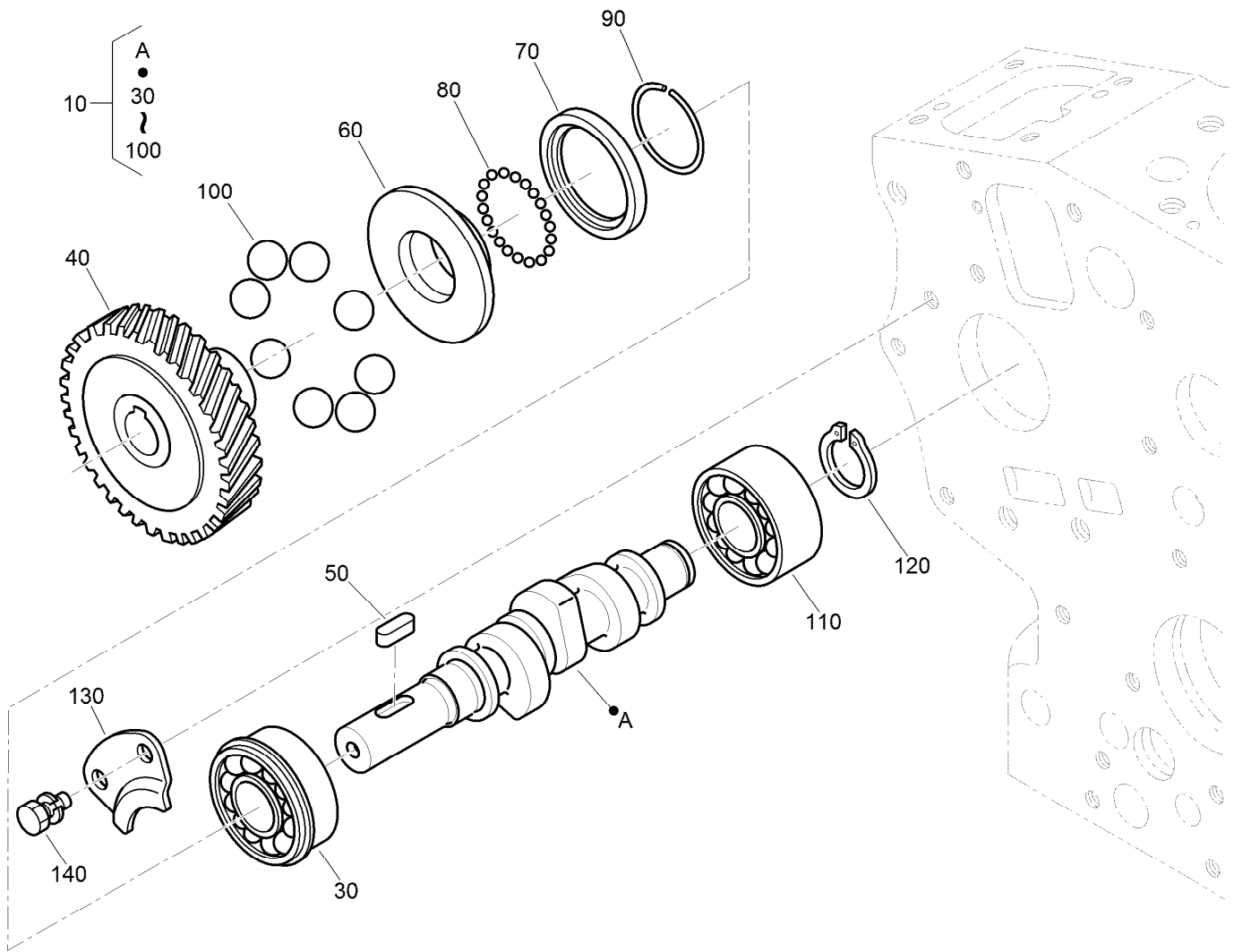
## Camshaft and Idle Gear Shaft Assembly

<i>Ref.</i>	<i>Part Number</i>	<i>Qty.</i>	<i>Description</i>
10	110-3727	6	Tappet
20	100-1989	6	Rod-Push
30	120-3126	1	Camshaft ASM
50	110-3729	1	Ball
60	130-1534	1	Gear-Cam
70	98-9378	1	Key-Feather
80	100-1887	1	Stopper-Camshaft
90	98-9350	2	Bolt
100	121-2421	1	Idle Gear ASM
110	121-2422	1	Bushing
120	100-1970	1	Collar-Gear, Idle
130	100-1969	1	Ring-Snap
140	100-1967	1	Shaft-Gear, Idle
150	100-1774	3	Bolt-Flange



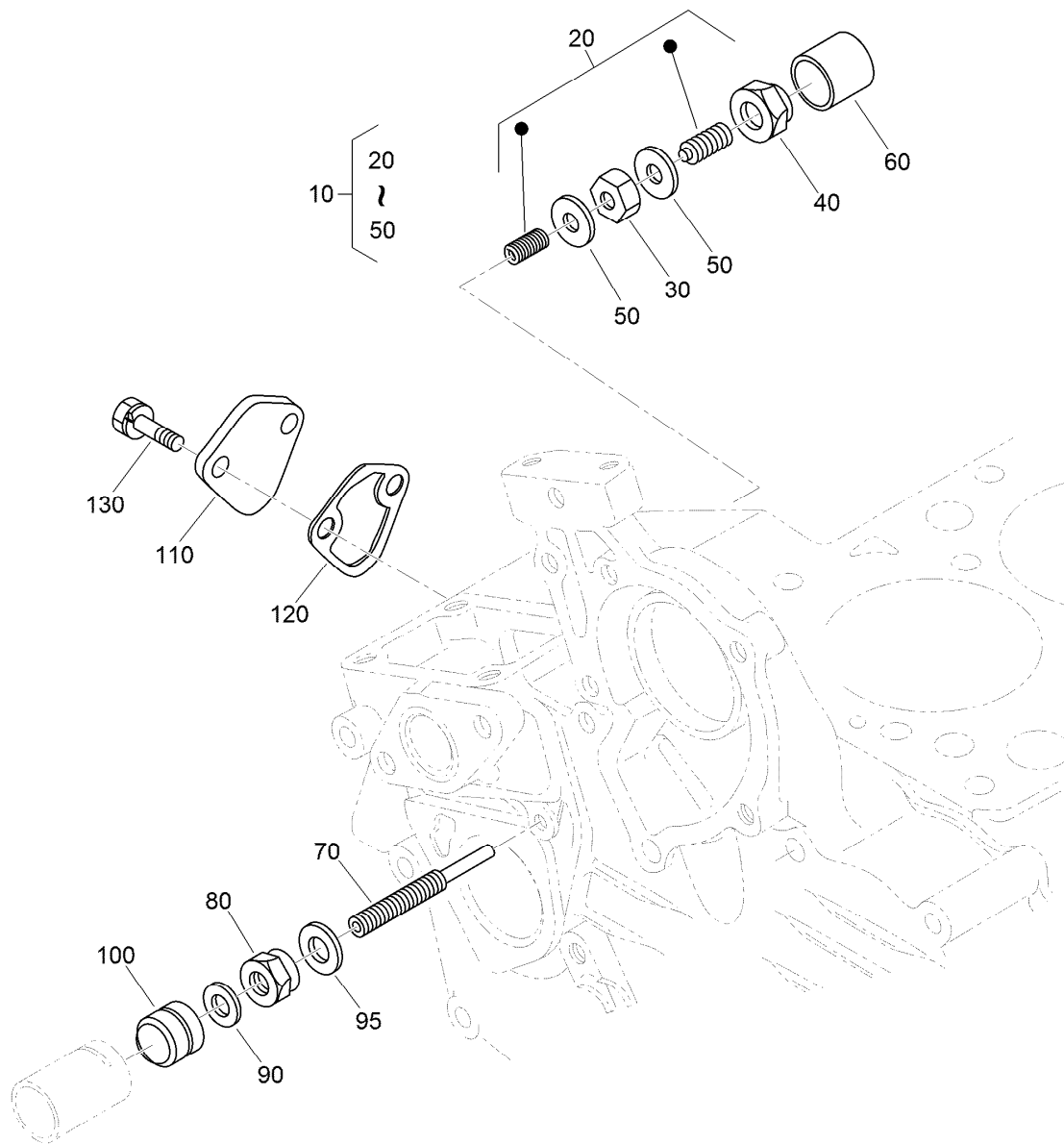
## Piston and Crankshaft Assembly

<i>Ref.</i>	<i>Part Number</i>	<i>Qty.</i>	<i>Description</i>	<i>Ref.</i>	<i>Part Number</i>	<i>Qty.</i>	<i>Description</i>
10	130-1518	3	Piston	80	121-2420	3	Metal-Crankpin (-.40Mm)
10	130-1520	3	Piston	90	117-0308	1	Crankshaft
20	130-1516	3	Piston Ring ASM	100	100-1791	3	Ball
20	130-1517	3	Piston Ring ASM	120	100-1891	1	Gear-Crankshaft
30	110-3734	3	Pin-Piston	130	100-1752	1	Key-Feather
40	100-1835	6	Circlip-Internal	140	110-3738	1	Metal-Crankshaft (STD)
50	125-9070	3	Connecting Rod ASM	140	121-2424	1	Metal-Crankshaft (-.20Mm)
60	110-3736	3	Bushing-Pin, Piston	140	121-2425	1	Metal-Crankshaft (-.40Mm)
70	100-1999	6	Bolt-Rod, Connecting	150	100-1890	1	Collar-Crankshaft
80	100-2000	3	Metal-Crankpin (STD)	160	100-1974	1	Slinger-Oil
80	121-3849	3	Metal-Crankpin (-.20Mm)	170	100-2209	1	O-Ring



## Fuel Camshaft Assembly

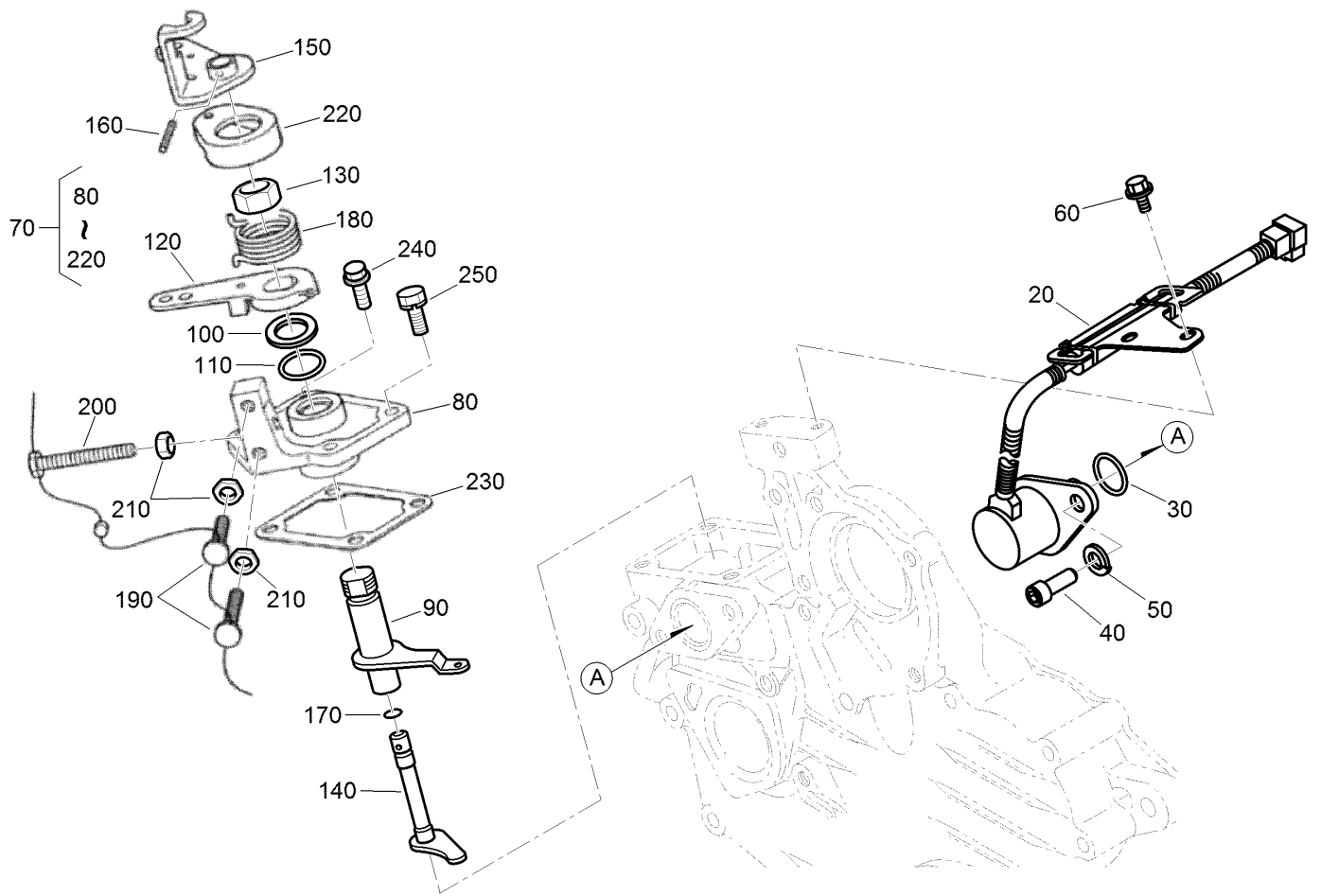
Ref.	Part Number	Qty.	Description
10	125-9075	1	Fuel Camshaft ASM
30	100-1795	1	Bearing-Ball
40	100-2006	1	Gear-Pump, Injection
50	100-1752	1	Key-Feather
60	112-8336	1	Sleeve-Governor
70	100-1904	1	Case-Ball, Governor
80	100-1790	32	Ball
90	100-1843	1	Circ-Clip
100	100-1793	8	Ball
110	110-3757	1	Bearing-Ball
120	100-1784	1	Circ-Clip, External
130	100-1888	1	Stopper-Fuel, Camshaft
140	98-9350	2	Bolt



## Idle Apparatus and Fuel Pump Cover Assembly

Ref.	Part Number	Qty.	Description
10	100-1898	1	Idle Apparatus ASM
20	100-1899	1	Adjusting Bolt ASM
30	100-1846	1	Nut
40	100-1901	1	Nut-Cap
50	98-7428	2	Gasket
60	100-1902	1	Cap
70	110-3758	1	Bolt-Adjusting
80	100-2175	1	Nut-Lock
90	98-7654	1	Gasket
95	107-9081	1	Gasket
100	99-8387	1	Nut-Cap
110	99-3514	1	Cover
120	98-9636	1	Gasket-Pump, Fuel
130	98-7692	2	Bolt

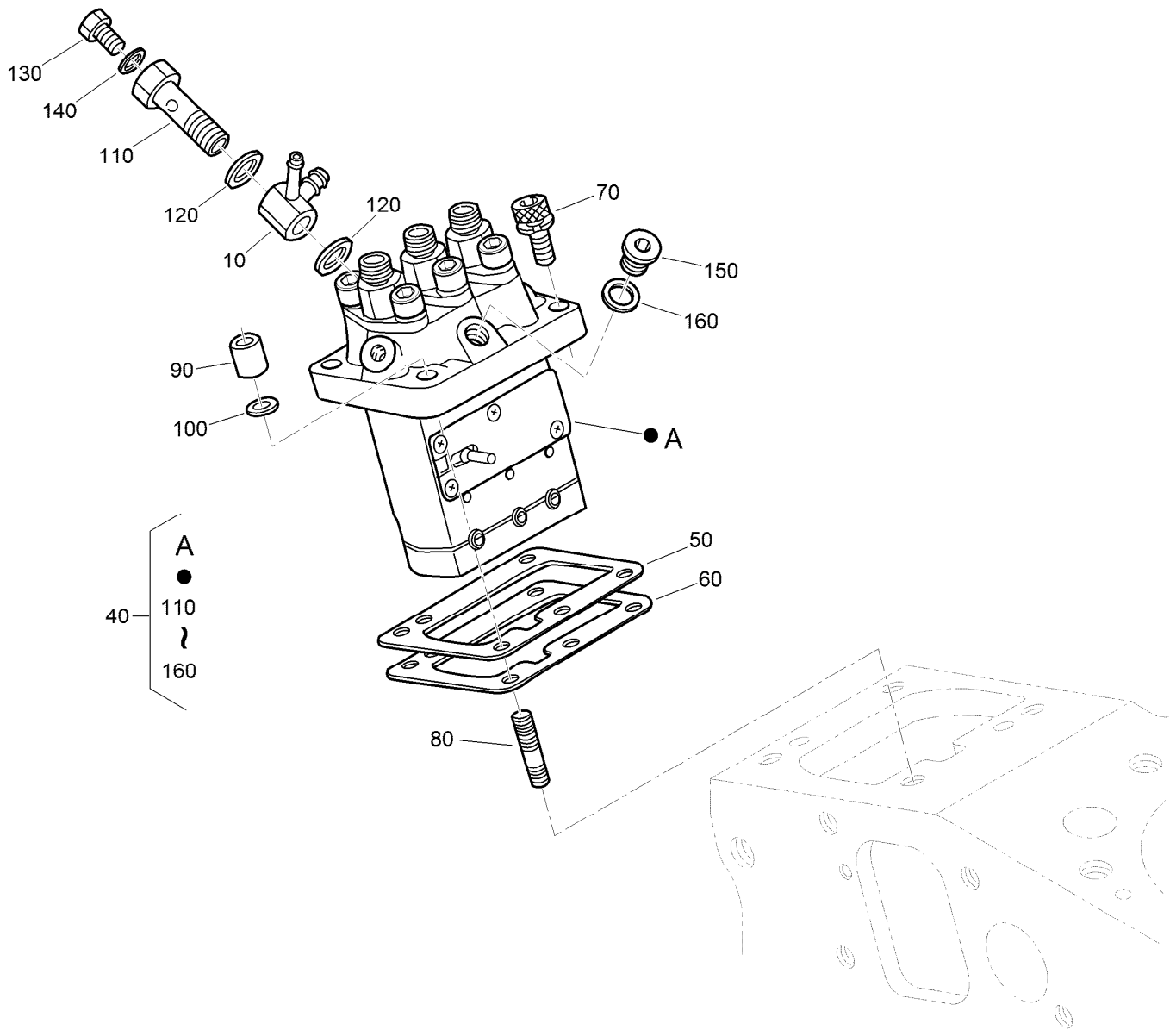




## Stop Solenoid and Speed Control Plate Assembly

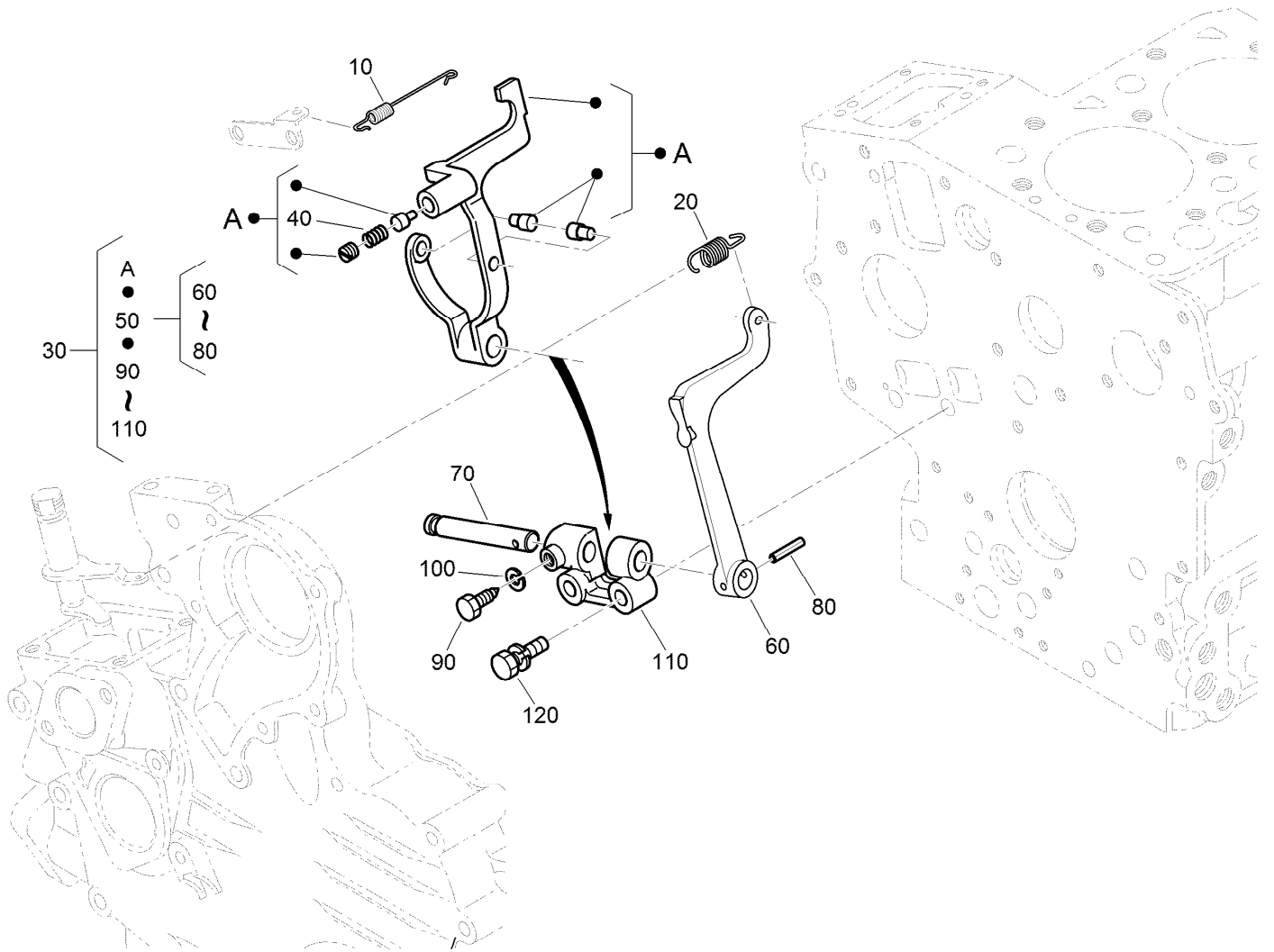
Ref.	Part Number	Qty.	Description
20	117-2719	1	Solenoid Stop ASM
30	110-3762	1	O-Ring
40	110-3763	2	Bolt-HSH
50	98-7699	2	Washer-Spring
60	100-1774	2	Bolt-Flange
70	110-3769	1	Speed Control Plate ASM
80	110-3770	1	Plate-Control, Speed
90	110-3771	1	Lever-Governor
100	110-3772	1	Collar
110	100-2208	1	O-Ring
120	110-3773	1	Lever-Control, Speed
130	110-3774	1	Nut-Control, Speed

Ref.	Part Number	Qty.	Description
140	110-3775	1	Shaft-Lever
150	110-3776	1	Lever-Stop, Engine
160	110-3777	1	Pin-Spring
170	100-2207	1	O-Ring
180	110-3778	1	Spring-Return
190	120-3133	2	Screw-Stopper
200	120-3134	1	Bolt
210	98-7572	3	Nut
220	110-3779	1	Cap
230	100-1962	1	Gasket-Plate, Control
240	127-0403	2	Bolt-Flange
250	112-2507	2	Bolt



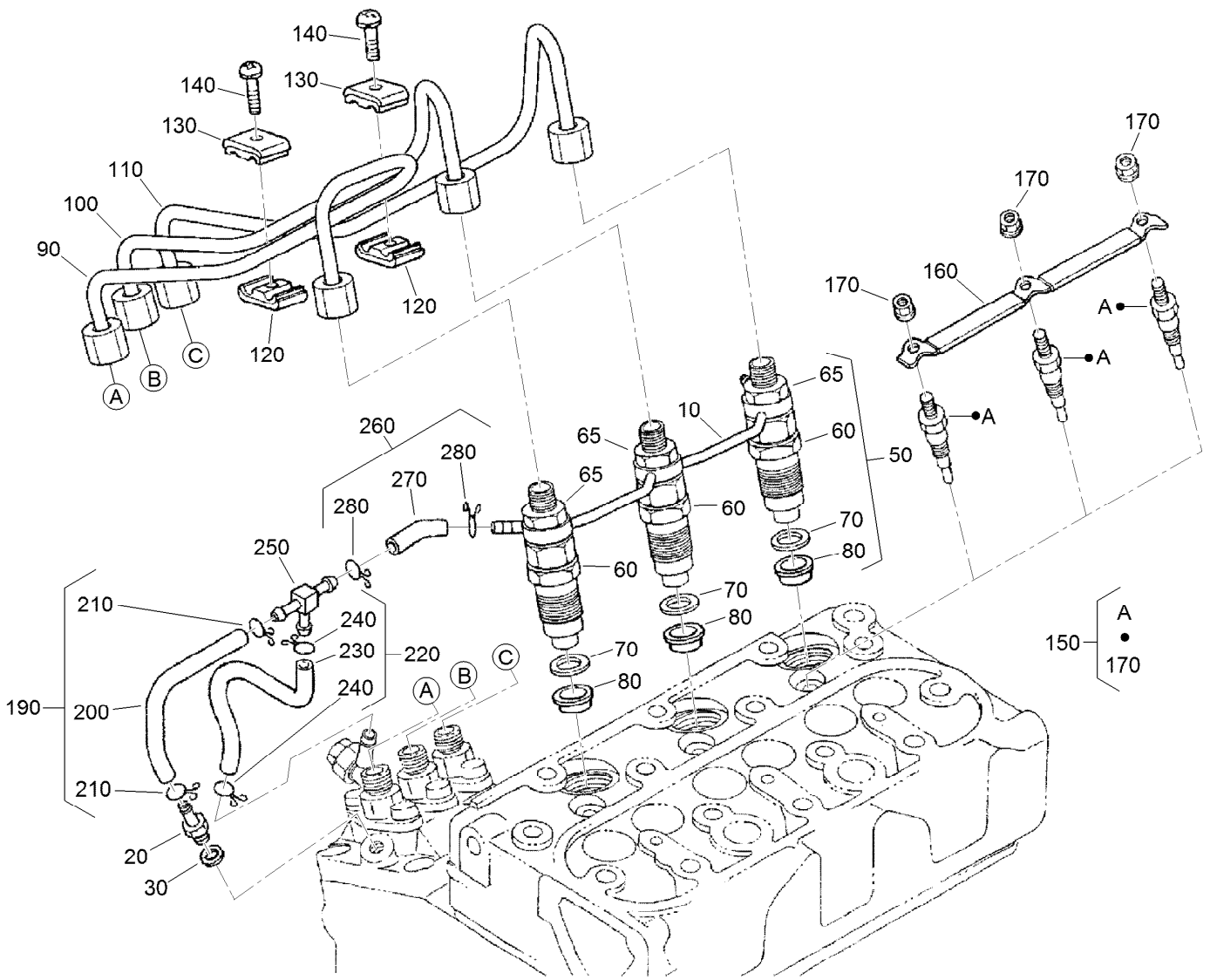
## Injection Pump Assembly

<i>Ref.</i>	<i>Part Number</i>	<i>Qty.</i>	<i>Description</i>	<i>Ref.</i>	<i>Part Number</i>	<i>Qty.</i>	<i>Description</i>
10	110-3764	1	Joint	90	98-9440	2	Nut-Cap
40	110-3765	1	Injection Pump ASM	100	98-7699	2	Washer-Spring
50	115-3045	1	Shim-Injection (0.175Mm)	110	100-1896	1	Screw-Hollow
50	98-9456	1	Shim-Injection (0.20Mm)	120	98-9445	2	Gasket
50	98-9457	1	Shim-Injection (0.25Mm)	130	98-9430	1	Screw
60	98-9458	1	Shim-Injection (0.30Mm)	140	98-9446	1	Gasket
60	115-3046	1	Shim-Injection (0.35Mm)	150	98-9466	1	Plug
70	117-7564	2	Bolt-Hex Soc HD	160	98-9451	1	Gasket
80	98-9438	2	Stud				



## Governor Assembly

<i>Ref.</i>	<i>Part Number</i>	<i>Qty.</i>	<i>Description</i>
10	110-3766	1	Spring-Start
20	110-3767	1	Spring-Governor
30	130-1367	1	Fork Lever ASM
40	121-3803	1	Spring
50	100-1905	1	Fork Lever ASM
60	100-1907	1	Lever-Fork
70	100-1908	1	Shaft-Lever, Fork
80	100-1751	1	Pin-Spring
90	100-1845	1	Bolt
100	127-0408	1	Washer-Lock, Spring
110	100-1909	1	Holder-Lever, Fork
120	100-1763	2	Bolt



## Nozzle Holder and Glow Plug Assembly

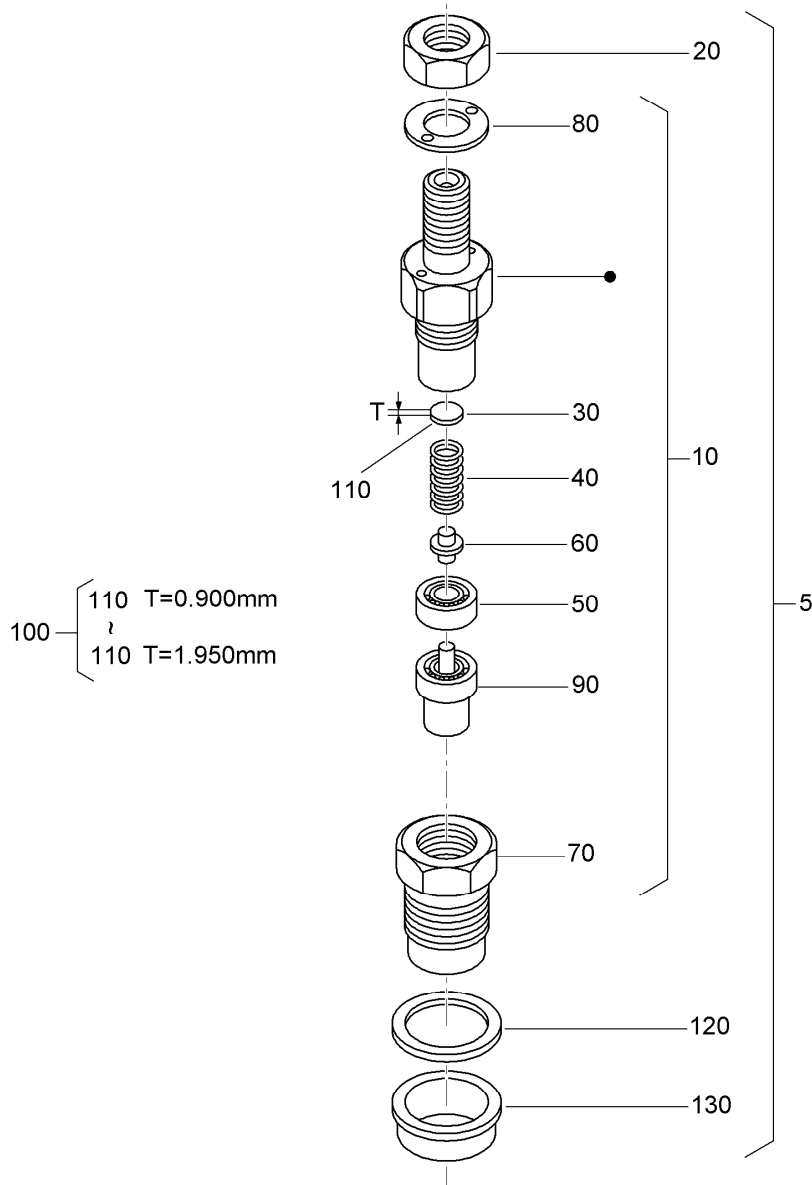
Ref.	Part Number	Qty.	Description
10	110-3780	1	Over Flow Pipe ASM
20	98-9431	1	Screw-Bleeder, Air
30	98-7654	1	Gasket
50	130-1305	3	Nozzle Holder Kit
60	130-1303	3	Nozzle Holder ASM
65	121-2411	3	Nut
70	98-7676	3	Gasket
80	98-7677	3	Seal-Heat
90	130-1522	1	Pipe-Injection
100	130-1523	1	Pipe-Injection
110	130-1541	1	Pipe-Injection
120	98-7682	2	Clamp-Pipe
130	98-7683	2	Clamp-Pipe
140	98-7684	2	Screw (W/Washer)

Ref.	Part Number	Qty.	Description
150	130-1411	3	Plug-Glow
160	110-3784	1	Cord-Plug, Glow
170	99-8377	3	Nut-Flange
190	110-3785	1	Fuel Tube ASM
200	110-3786	1	Tube-Fuel
210	98-7671	2	Clip-Pipe
220	110-3787	1	Fuel Tube ASM
230	110-3788	1	Tube-Fuel
240	98-7671	2	Clip-Pipe
250	112-8338	1	Pipe-Joint, T
260	110-3790	1	Fuel Tube ASM
270	110-3791	1	Tube-Fuel
280	98-7671	2	Clip-Pipe



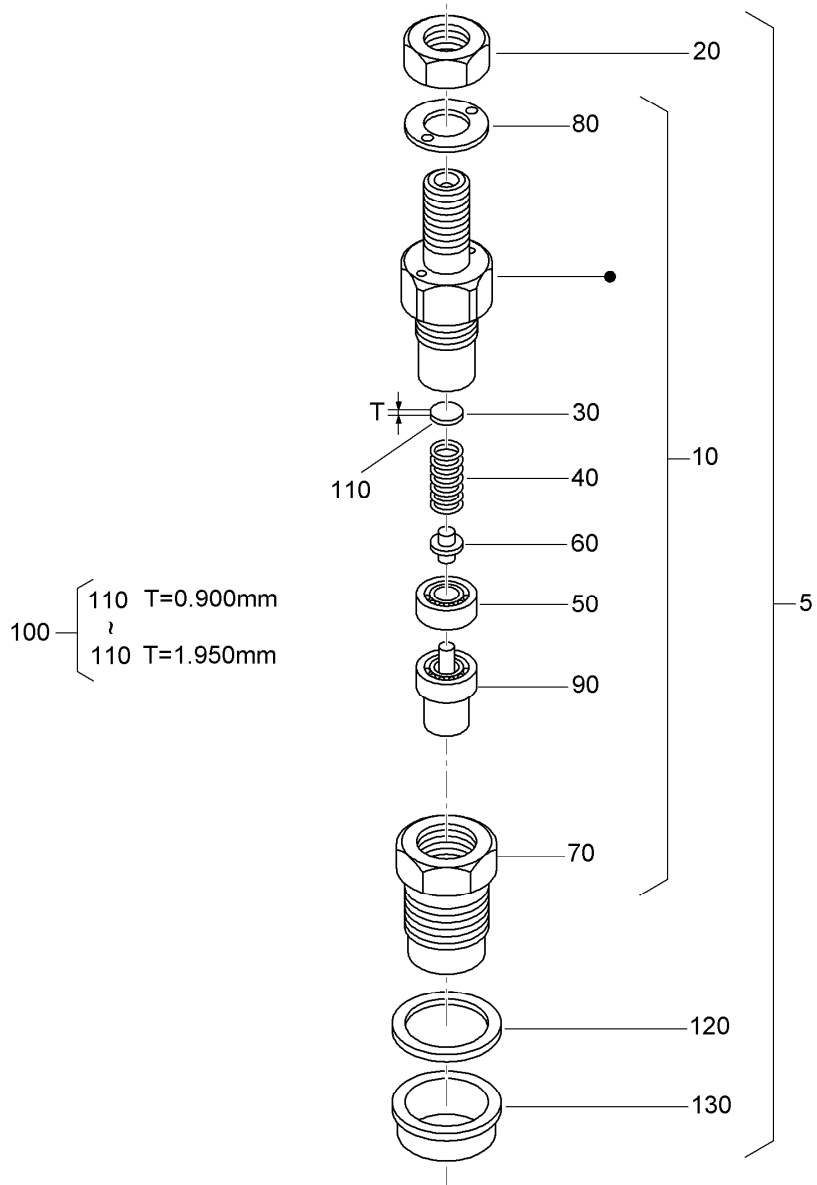
## Nozzle Holder Assembly

Ref.	Part Number	Qty.	Description	Ref.	Part Number	Qty.	Description
5	130-1305	3	Nozzle Holder Kit	110	98-7845	3	Washer-Adjusting (1.025Mm)
10	130-1303	3	Nozzle Holder ASM	110	98-7846	3	Washer-Adjusting (1.050Mm)
20	121-2411	3	Nut	110	98-7847	3	Washer-Adjusting (1.075Mm)
30	99-8302	3	Washer-Adjusting	110	98-7848	3	Washer-Adjusting (1.100Mm)
40	99-8303	3	Spring-Nozzle	110	98-7849	3	Washer-Adjusting (1.125Mm)
50	99-8304	3	Spacer-Distance	110	98-7850	3	Washer-Adjusting (1.150Mm)
60	99-8305	3	Rod-Push	110	98-7851	3	Washer-Adjusting (1.175Mm)
70	130-1304	3	Nut-Nozzle	110	98-7852	3	Washer-Adjusting (1.200Mm)
80	99-8307	3	Washer-Plain	110	98-7853	3	Washer-Adjusting (1.225Mm)
90	130-1497	3	Nozzle-Piece	110	98-7854	3	Washer-Adjusting (1.250Mm)
100	98-9448	3	Adjusting Washer ASM				
110	98-7642	3	Washer-Adjusting (0.900Mm)				
110	98-7841	3	Washer-Adjusting (0.925Mm)				
110	98-7842	3	Washer-Adjusting (0.950Mm)				
110	98-7843	3	Washer-Adjusting (0.975Mm)				
110	98-7844	3	Washer-Adjusting (1.000Mm)				



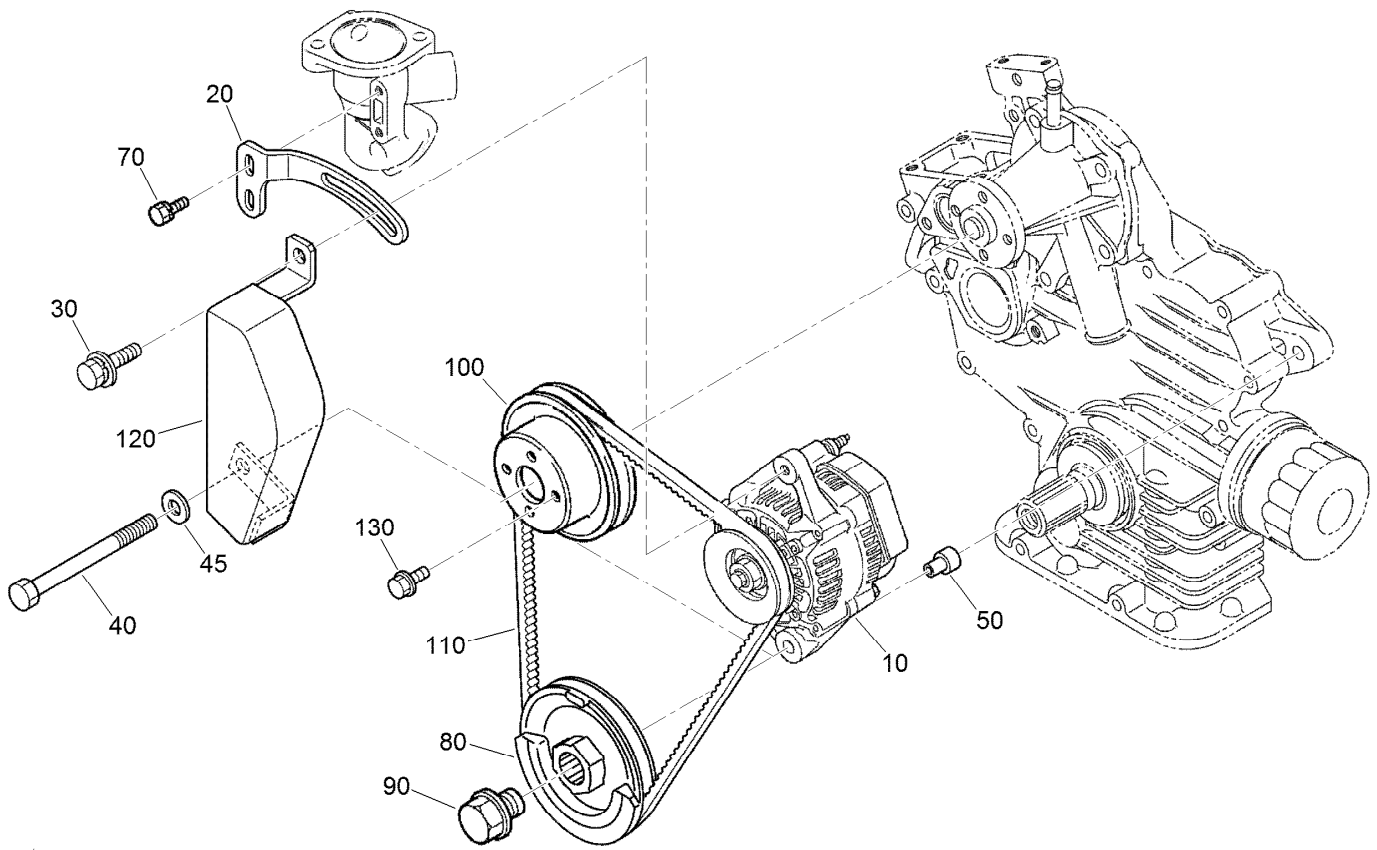
## Nozzle Holder Assembly (continued)

<i>Ref.</i>	<i>Part Number</i>	<i>Qty.</i>	<i>Description</i>	<i>Ref.</i>	<i>Part Number</i>	<i>Qty.</i>	<i>Description</i>
110	98-7855	3	Washer-Adjusting (1.275Mm)	110	98-7865	3	Washer-Adjusting (1.525Mm)
110	98-7856	3	Washer-Adjusting (1.300Mm)	110	98-7866	3	Washer-Adjusting (1.550Mm)
110	98-7857	3	Washer-Adjusting (1.325Mm)	110	98-7867	3	Washer-Adjusting (1.575Mm)
110	98-7858	3	Washer-Adjusting (1.350Mm)	110	98-7868	3	Washer-Adjusting (1.600Mm)
110	98-7859	3	Washer-Adjusting (1.375Mm)	110	98-7869	3	Washer-Adjusting (1.625Mm)
110	98-7860	3	Washer-Adjusting (1.400Mm)	110	98-7870	3	Washer-Adjusting (1.650Mm)
110	98-7861	3	Washer-Adjusting (1.425Mm)	110	98-7871	3	Washer-Adjusting (1.675Mm)
110	98-7862	3	Washer-Adjusting (1.450Mm)	110	98-7872	3	Washer-Adjusting (1.700Mm)
110	98-7863	3	Washer-Adjusting (1.475Mm)	110	98-7873	3	Washer-Adjusting (1.725Mm)
110	98-7864	3	Washer-Adjusting (1.500Mm)	110	98-7874	3	Washer-Adjusting (1.750Mm)



## Nozzle Holder Assembly (continued)

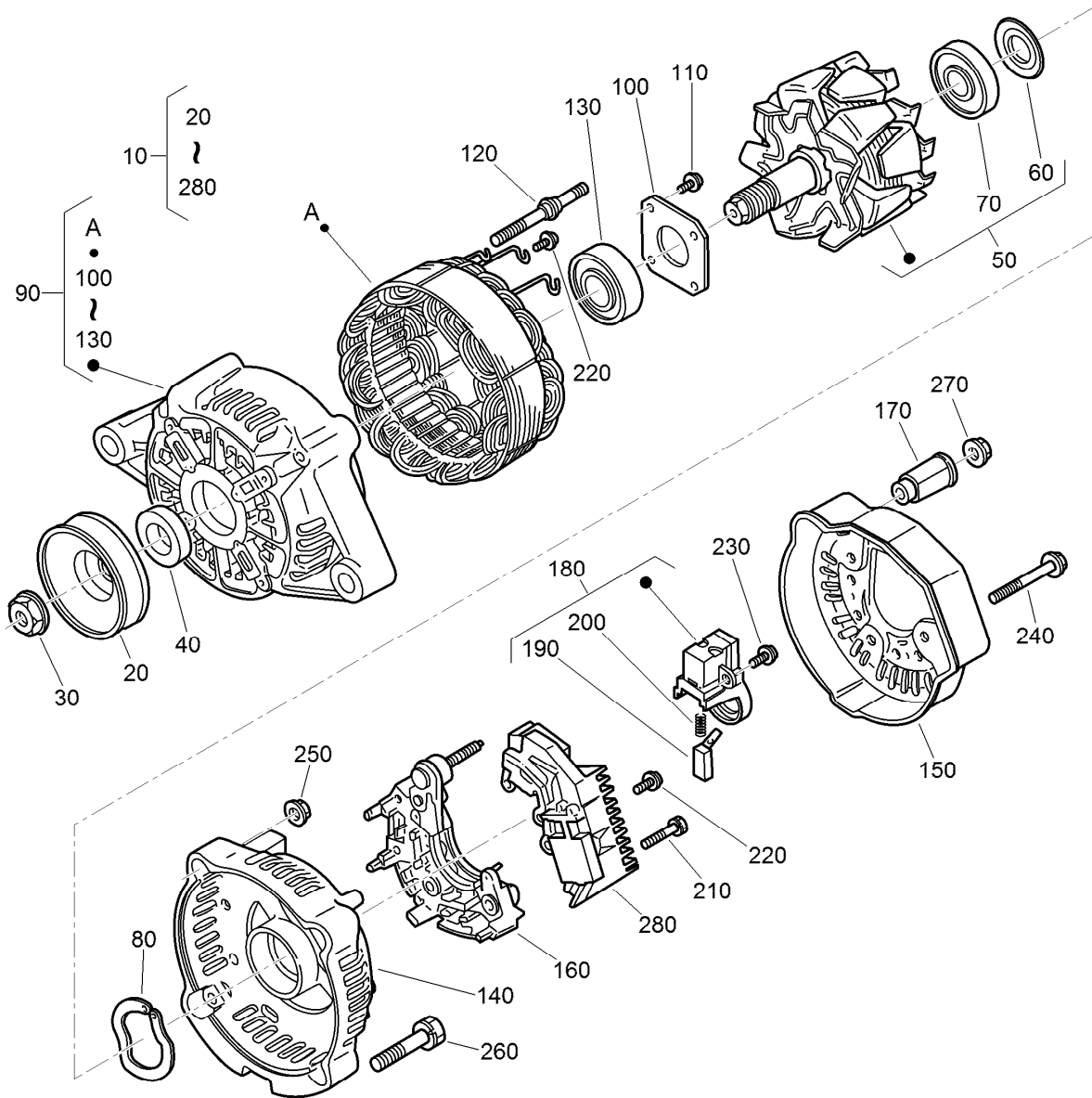
<i>Ref.</i>	<i>Part Number</i>	<i>Qty.</i>	<i>Description</i>	<i>Ref.</i>	<i>Part Number</i>	<i>Qty.</i>	<i>Description</i>
110	98-7875	3	Washer-Adjusting (1.775Mm)	110	98-7880	3	Washer-Adjusting (1.900Mm)
110	98-7876	3	Washer-Adjusting (1.800Mm)	110	98-7881	3	Washer-Adjusting (1.925Mm)
110	98-7877	3	Washer-Adjusting (1.825Mm)	110	98-7882	3	Washer-Adjusting (1.950Mm)
110	98-7878	3	Washer-Adjusting (1.850Mm)	120	98-7676	3	Gasket
110	98-7879	3	Washer-Adjusting (1.875Mm)	130	98-7677	3	Seal-Heat



## Alternator and Pulley Assembly

<i>Ref.</i>	<i>Part Number</i>	<i>Qty.</i>	<i>Description</i>
10	98-9474	1	Alternator ASM
20	110-3792	1	Stay-Alternator
30	121-3800	1	Bolt-Sems
40	110-3793	1	Bolt
45	120-5832	1	Washer-Plain
50	110-3794	1	Collar
70	98-7692	2	Bolt
80	110-3795	1	Pulley-Drive, Fan
90	100-1978	1	Bolt
100	100-1921	1	Pulley-Fan
110	110-3796	1	Belt-V
120	110-3797	1	Cover
130	99-8363	4	Bolt-Flange

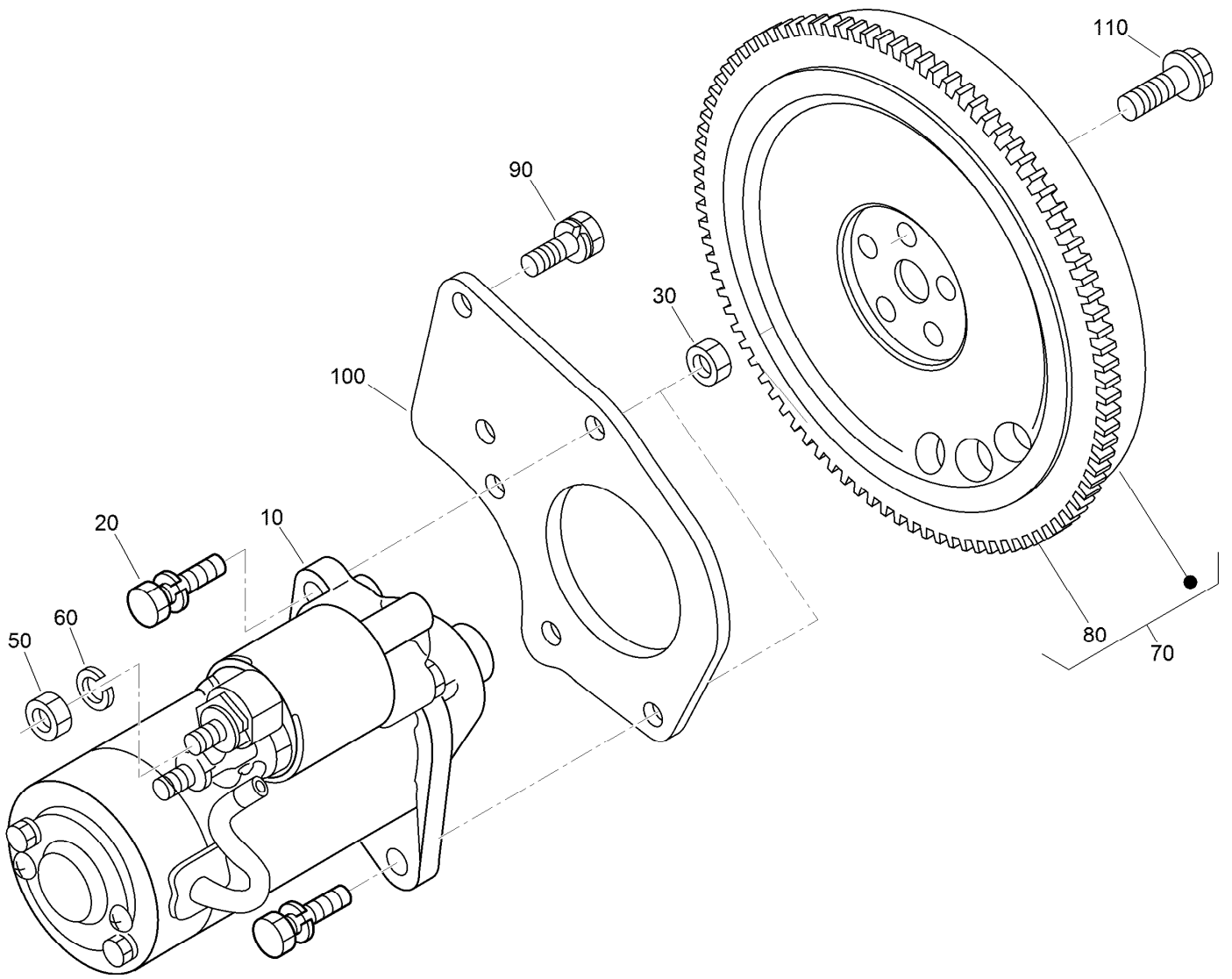




## Alternator Components Assembly

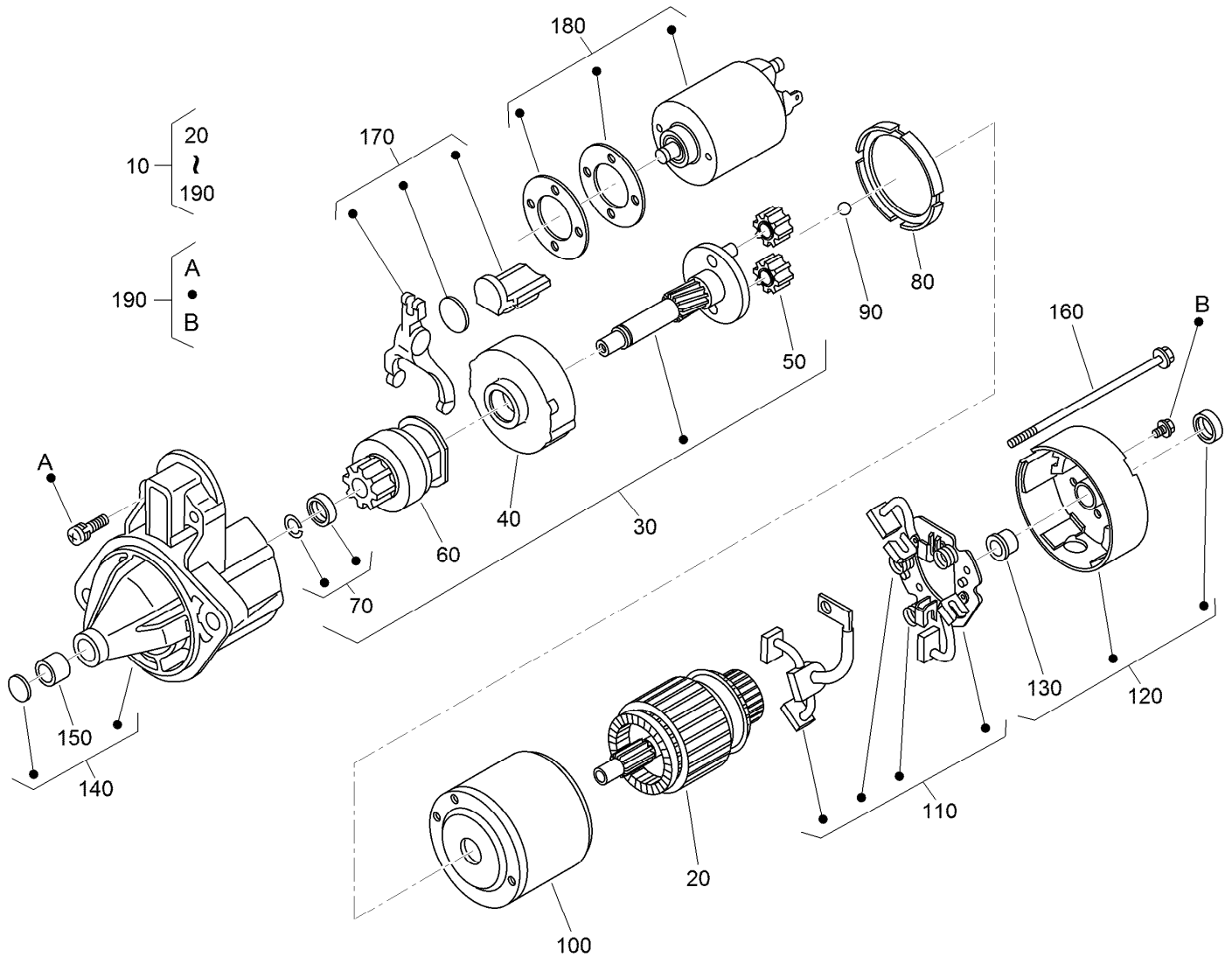
Ref.	Part Number	Qty.	Description
10	98-9474	1	Alternator ASM
20	98-9453	1	Pulley-Dynamo
30	98-7708	1	Nut
40	98-7709	1	Collar
50	107-0136	1	Rotor ASM
60	98-7711	1	Cover-Bearing
70	107-0138	1	Bearing-Ball
80	98-7713	1	Washer-Thrust
90	107-0139	1	Drive End Frame ASM
100	98-7715	1	Plate-Retainer
110	98-7716	4	Screw-Head, Round
120	98-7717	2	Bolt-Through
130	107-0137	1	Bearing-Ball
140	107-9087	1	Frame-End

Ref.	Part Number	Qty.	Description
150	107-0140	1	Cover-End
160	127-1612	1	Rectifier ASM
170	98-7722	1	Bushing-Insulation
180	107-0141	1	Brush Holder ASM
190	98-7724	2	Brush
200	98-7725	2	Spring-Brush
210	98-7726	2	Screw-Head, Round
220	98-7727	6	Screw-Head, Round
230	98-7728	1	Screw-Head, Round
240	98-7729	3	Bolt
250	98-7730	2	Nut
260	98-7731	2	Bolt
270	98-7732	1	Nut
280	110-3799	1	Regulator ASM



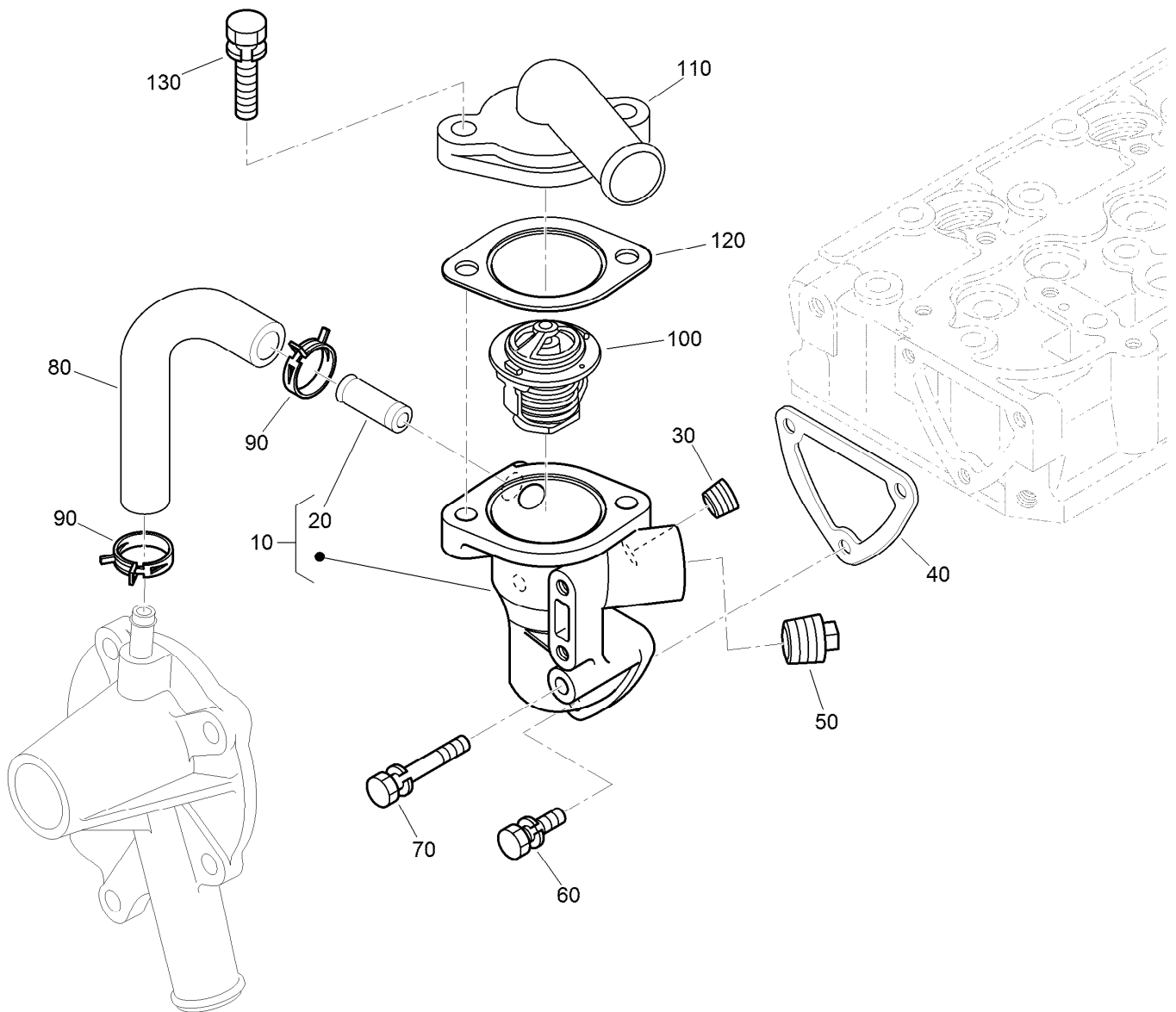
## Starter and Flywheel Assembly

Ref.	Part Number	Qty.	Description
10	110-3800	1	Starter ASM
20	98-7697	2	Bolt
30	98-7534	2	Nut
50	98-7534	1	Nut
60	105-2893	1	Washer-Spring
70	130-1496	1	Flywheel ASM
80	127-1604	1	Gear-Ring
90	100-1930	5	Bolt-Flywheel
100	117-0323	1	Plate-End, Rear
110	110-3754	3	Bolt



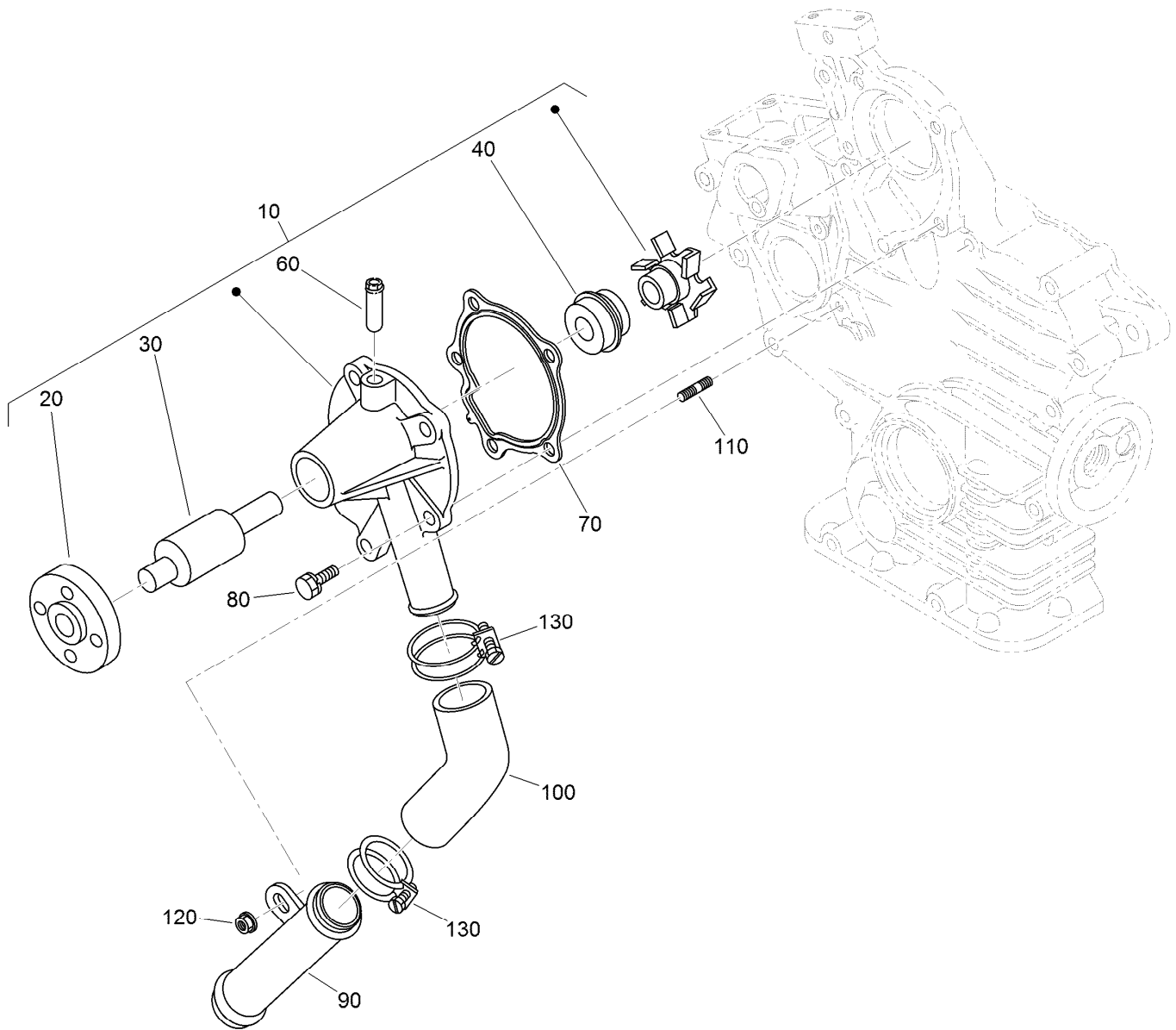
## Starter Component Assembly

Ref.	Part Number	Qty.	Description	Ref.	Part Number	Qty.	Description
10	110-3800	1	Starter ASM	110	110-3810	1	Brush Holder ASM
20	110-3801	1	Armature	120	110-3811	1	Rear Bracket ASM
30	110-3802	1	Shaft ASM	130	110-3812	1	Bushing
40	120-3142	1	Gear-Internal	140	110-3813	1	Front Bracket ASM
50	110-3804	3	Gear-Planetary	150	110-3814	1	Bushing
60	110-3805	1	Clutch-Running, Over	160	110-3815	2	Bolt
70	110-3806	1	Stopper	170	110-3816	1	Fork Lever ASM
80	120-3143	1	Gasket	180	125-9099	1	Switch-Magnetic
90	110-3808	1	Ball	190	110-3818	1	Screws (Set Of 4)
100	130-1295	1	Yoke				



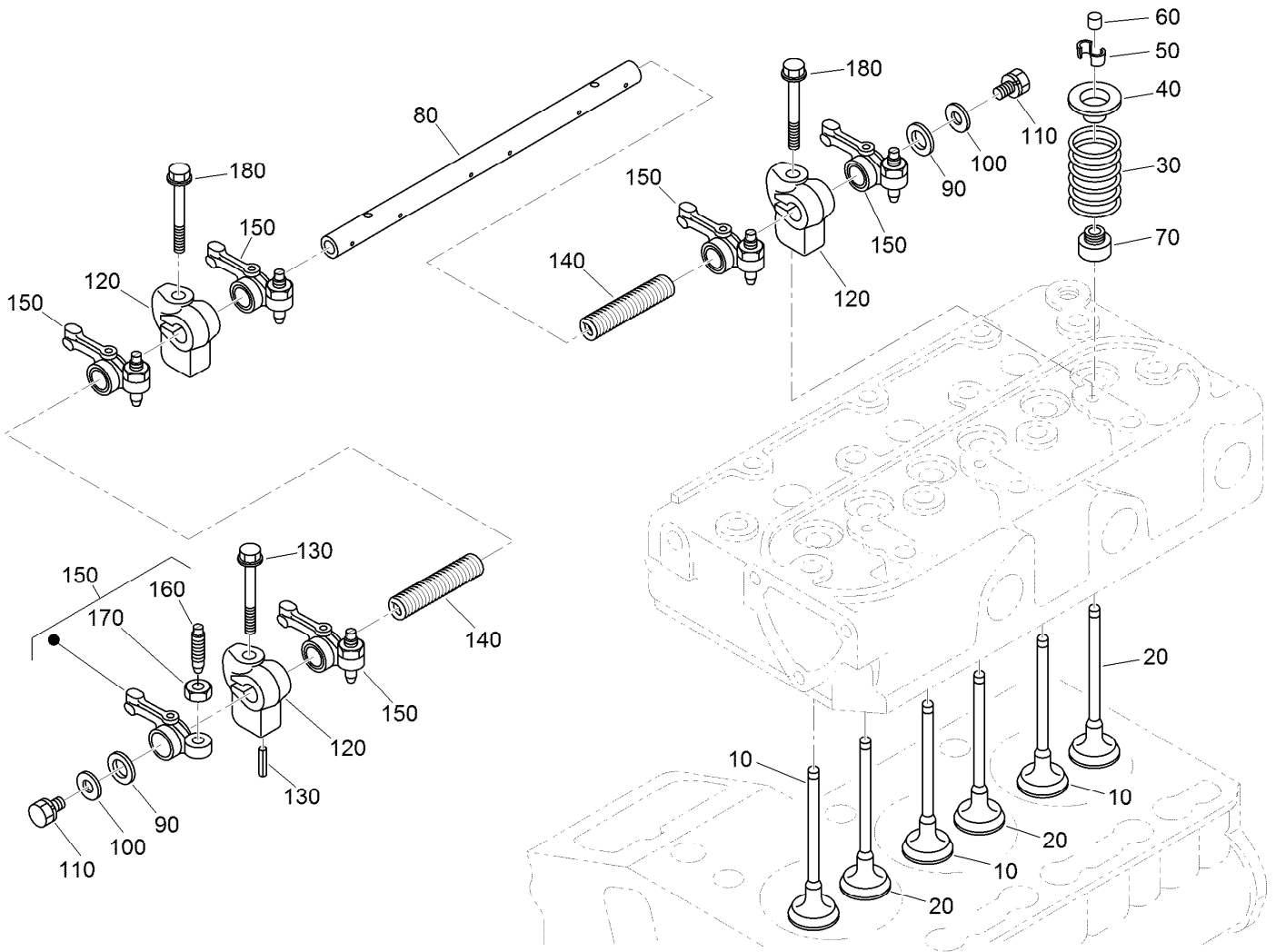
## Water Flange and Thermostat Assembly

Ref.	Part Number	Qty.	Description
10	110-3819	1	Water Flange ASM
20	98-9580	1	Pipe-Return, Water
30	98-9444	1	Plug
40	110-3820	1	Gasket-Flange, Water
50	110-3821	1	Plug
60	98-7692	2	Bolt
70	125-9063	1	Bolt-Sems
80	110-3822	1	Pipe-Return, Water
90	125-9078	2	Clamp-Hose
100	98-7778	1	Thermostat ASM
110	110-3823	1	Cover-Thermostat
120	105-3748	1	Gasket-Thermostat
130	98-7777	2	Bolt



## Water Pump and Water Pipe Assembly

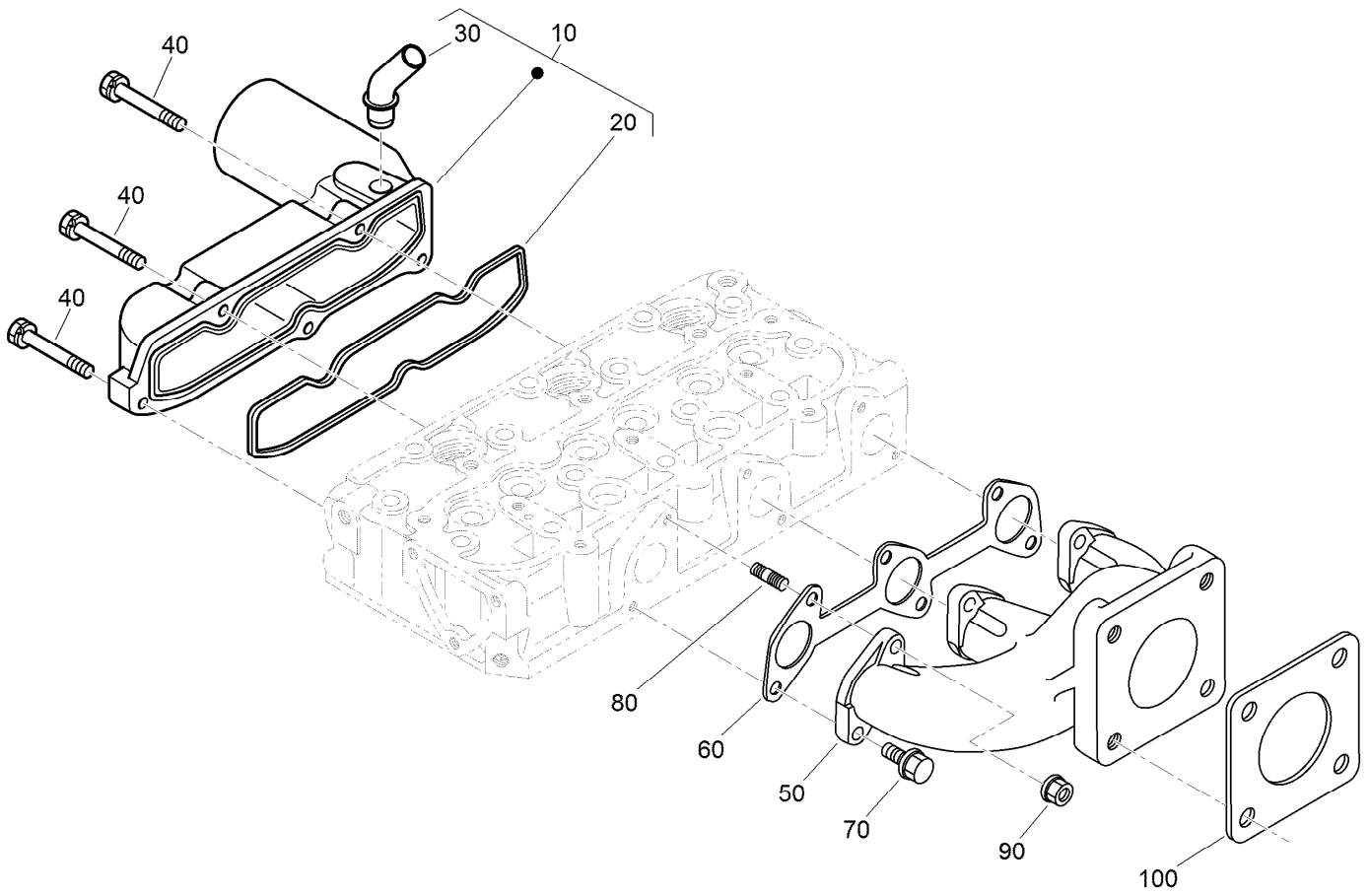
<i>Ref.</i>	<i>Part Number</i>	<i>Qty.</i>	<i>Description</i>
10	110-3824	1	Water Pump ASM
20	125-9081	1	Flange-Pump, Water
30	100-1934	1	Bearing-Ball
40	99-3518	1	Water Pump Seal ASM
60	100-1932	1	Pipe-Return, Water
70	117-0330	1	Gasket-Pump, Water
80	100-1750	4	Bolt
90	100-1918	1	Pipe-Water
100	110-3827	1	Pipe-Water
110	100-1924	1	Stud
120	100-2203	1	Nut-Flange
130	110-3828	2	Band-Pipe



## Valve and Rocker Arm Assembly

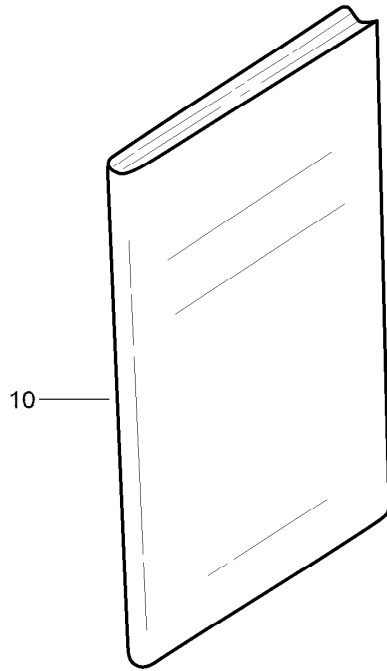
Ref.	Part Number	Qty.	Description
10	112-2514	3	Valve-Inlet
20	112-2515	3	Valve-Exhaust
30	100-1823	6	Spring-Valve
40	100-1825	6	Retainer-Spring, Valve
50	120-3136	6	Collet-Spring, Valve
60	100-2155	6	Cap-Valve
70	100-1797	6	Seal-Stem, Valve
80	112-8341	1	Shaft-Arm, Rocker
90	100-2044	2	Washer

Ref.	Part Number	Qty.	Description
100	110-3832	2	Washer-Plain
110	100-1762	2	Bolt
120	110-3833	3	Bracket-Arm, Rocker
130	98-7602	1	Pin-Spring
140	112-8342	2	Spring
150	100-1884	6	Rocker Arm ASM
160	100-1885	6	Screw-Adjusting
170	100-1827	6	Nut
180	110-3834	3	Bolt-Flange



## Inlet and Exhaust Manifold Assembly

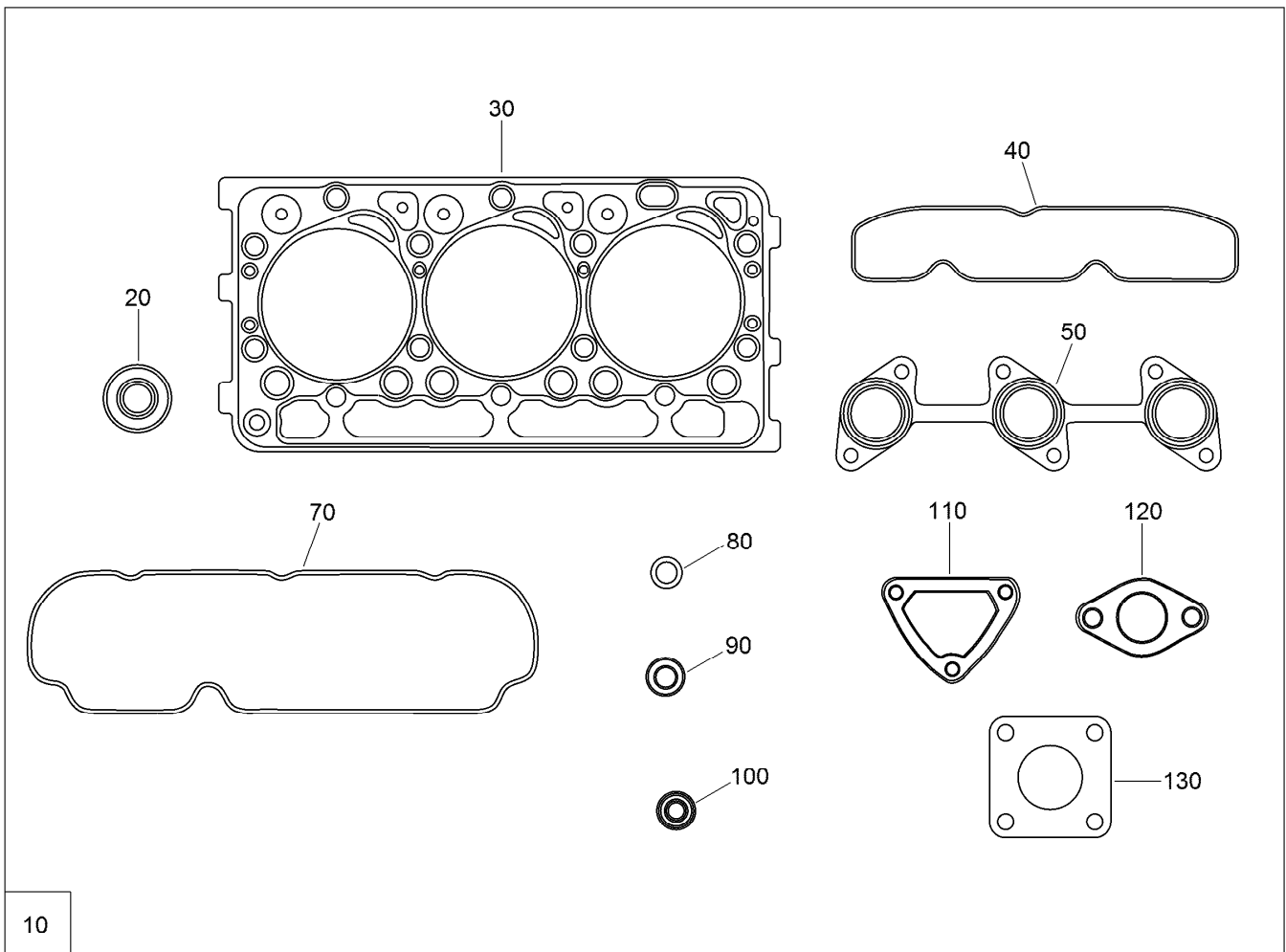
<i>Ref.</i>	<i>Part Number</i>	<i>Qty.</i>	<i>Description</i>
10	120-3141	1	Intake Manifold ASM
20	110-3838	1	Gasket-Manifold, Intake
30	121-2417	1	Pipe-Breather
40	98-9352	5	Bolt
50	110-3839	1	Manifold-Exhaust
60	110-3840	1	Gasket-Manifold, Exhaust
70	130-1154	3	Screw-Hex HD
80	130-1156	3	Bolt-Stud
90	100-1778	3	Nut
100	99-8343	1	Gasket-Muffler



## Miscellaneous Engine Parts

<i>Ref.</i>	<i>Part Number</i>	<i>Qty.</i>	<i>Description</i>
10	130-1513	1	Manual-Operator

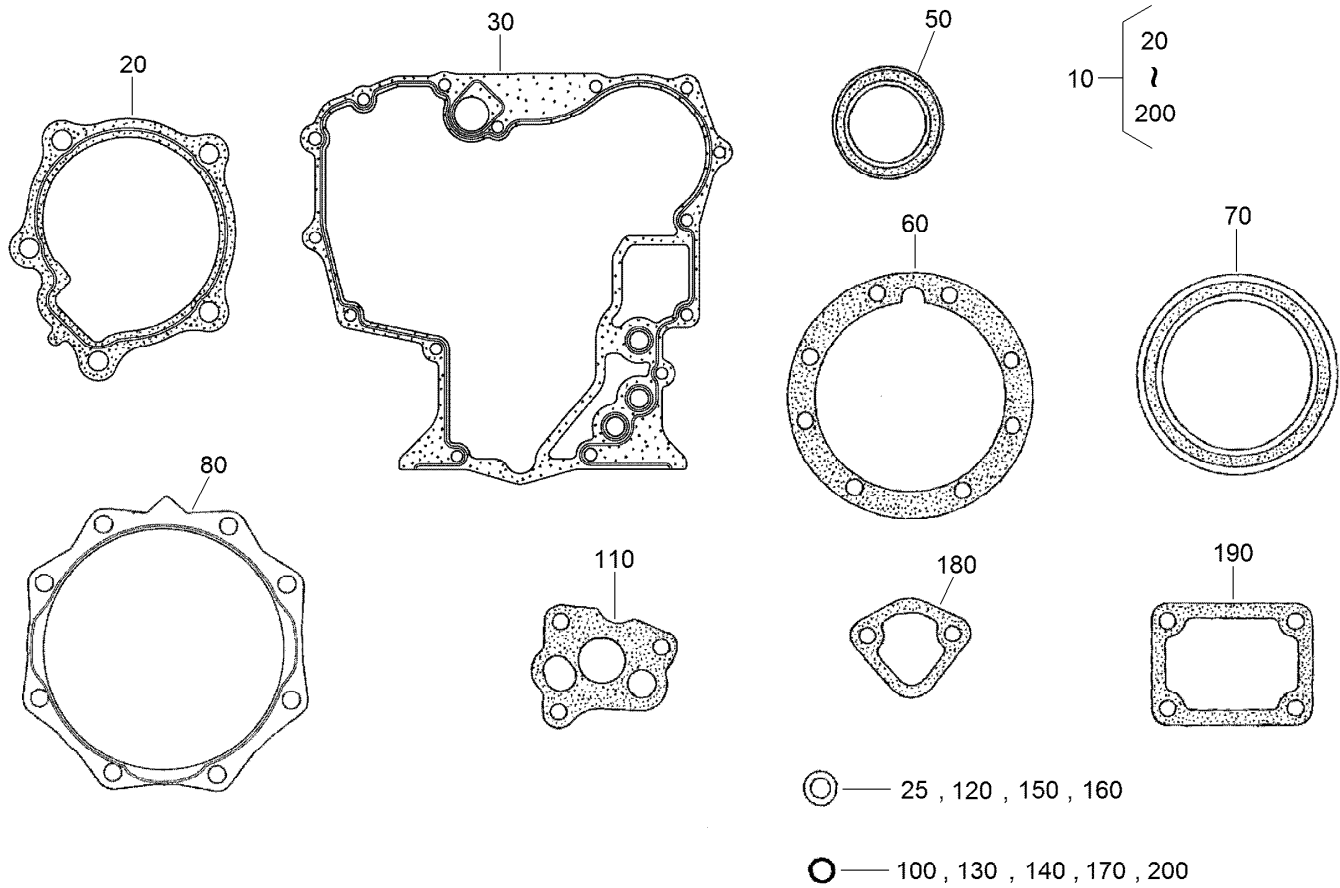




10

## Upper Engine Gasket Kit

Ref.	Part Number	Qty.	Description
10	112-2518	1	Upper Gasket Kit
20	100-1797	6	Seal-Stem, Valve
30	112-2520	1	Gasket-Head, Cylinder
40	110-3838	1	Gasket-Manifold, Intake
50	110-3840	1	Gasket-Manifold, Exhaust
70	112-2521	1	Gasket-Cover, Head
80	99-3446	1	O-Ring
90	98-7676	3	Gasket
100	98-7677	3	Seal-Heat
110	110-3820	1	Gasket-Flange, Water
120	105-3748	1	Gasket-Thermostat
130	99-8343	1	Gasket-Muffler



## Lower Engine Gasket Kit

<i>Ref.</i>	<i>Part Number</i>	<i>Qty.</i>	<i>Description</i>	<i>Ref.</i>	<i>Part Number</i>	<i>Qty.</i>	<i>Description</i>
10	117-0331	1	Lower Gasket Kit	120	98-7654	1	Gasket
20	117-0330	1	Gasket-Pump, Water	130	105-3776	1	O-Ring
25	98-7524	1	Gasket	140	100-2207	1	O-Ring
30	117-0327	1	Gasket-Case, Gear	150	98-7654	2	Gasket
50	120-7852	1	Seal-Oil	160	110-9715	1	Gasket-PAN, Oil
60	100-1873	1	Gasket-Case, Bearing	170	100-2208	1	O-Ring
70	110-3724	1	Seal-Oil	180	98-9636	1	Gasket-Pump, Fuel
80	100-1876	1	Gasket-Cover, Case	190	100-1962	1	Gasket-Plate, Control
100	100-2209	1	O-Ring	200	110-3762	1	O-Ring
110	100-2003	1	Gasket-Pump, Oil				

# Attachments and Accessories

## For 74264TE Z Master Professional 7000 Series Riding Mower With 132cm TURBO FORCE Side Discharge Mower

<b>Product Name</b>	<b>Model/Part</b>
Blade-Atomic, 18in .....	105-7796-03
Blade-Recycler, 18in.....	105-7779-03
Blade-Low Flow, 18in.....	105-7795-03
Blade-Med Flow, 18in .....	105-7794-03
Blade-Hi Flow, 18in.....	105-7781-03
Blade-Atomic, 18in (6 Pack) .....	108-1118
Bimini Folding Shade Assembly .....	115-4510
Seat Cover W/arm rest .....	117-0095
Roller Striping Kit.....	108-2162
Blade-Recycler, 18in (6 Pack).....	110-0408
Recycler Kit .....	107-1610
Blade-Lo Flow, 18in (6 Pack) .....	110-0406
Turbo Baffle Kit .....	107-1634
Blade-Med Flow, 18in (6 Pack) .....	110-0409
Striping Kit .....	107-1630
Blade-Hi Flow, 18in (6 Pack).....	108-1117
Light Kit.....	107-9880
Hitch Kit .....	99-8925
Chute Gate Kit .....	78521
Hypr-Oil 500 (quart).....	114-4713
Hypr-Oil 500 (gallon).....	114-4714
Hypr-Oil 500-5 (5 gallon).....	114-4715
1.25in Spark Arrester Kit.....	105-1672
Filter Minder Gauge .....	99-4664



**Count on it.**