



Count on it.

Parts Catalog

TimeMaster 30in Lawn Mower

Model No. 20199—Serial No. 312017873 and Up



Ordering Replacement Parts

To order replacement parts, please supply the part number, the quantity, and the description of each part desired.

Understanding Reference Numbers

Each identified part in an illustration has a reference number. The reference number for a part also appears in the parts list, along with other information about the part.

This catalog uses two special reference number formats, one to indicate parts in a service assembly and another to indicate the quantity of a given part in an illustration.

Service Assembly Reference Numbers

Parts in service assemblies have reference numbers in the form a:b. The a represents the reference number of the entire service assembly and the b represents a sequential number unique to each part within the service assembly.

For example, a wheel assembly might be identified by reference number 6, the tire by 6:1, the valve by 6:2, and the wheel by 6:3. When you order the assembly identified by reference number 6, you receive all parts identified by reference numbers 6:1, 6:2, and 6:3. However, you may also order any part individually. Reference numbers of this type appear in illustration and in parts lists.

Reference Numbers Indicating Quantity

In an illustration, if a reference number indicates more than one part, the reference number has the form nX y. The n represents the quantity of the part, the X is the multiplication symbol, and the y represents the reference number.

For example, in an illustration, the reference number 2X 37 means that two of the parts identified by reference number 37 are indicated.

List of Abbreviations

AR: as required

ASM: assembly

BBC: blade brake control

BHTF: button head thread forming

CARR: carriage

CCW: counter clockwise

CW: clockwise

DEG: degrees

DPA: Dual Point Adjustment

ECM: electronic control module

EXT: external

FH: flat head

GA: gauge

HD: heavy-duty

HF: hex flange

HH: hex head

HHF: hex head flange

HHFTF: hex head flange thread forming

HJ: hex jam

HLH: hex lag head

HOC: height-of-cut

HP: high pressure

HSBH: hex socket button head

HSFH: hex socket flat head

HSH: hex socket head

HWH: hex washer head

HWHTF: hex washer head thread forming

HYD: hydraulic

LH: left hand

LP: low pressure

LPG: Liquefied Petroleum Gas

NI: nylon insert

NPTF: national pipe thread fine

PFH: phillips flat head

PPH: phillips pan head

PPHTF: phillips pan head thread forming

PRH: phillips round head

PTH: phillips truss head

PTO: power-take-off

RH: right hand

ROPS: roll-over protection system

RRB: rear roller brush

SFH: slotted fillister head

SHH: slotted hex head

SHWH: slotted hex washer head

SPH: slotted pan head

SQH: square head

SRH: slotted round head

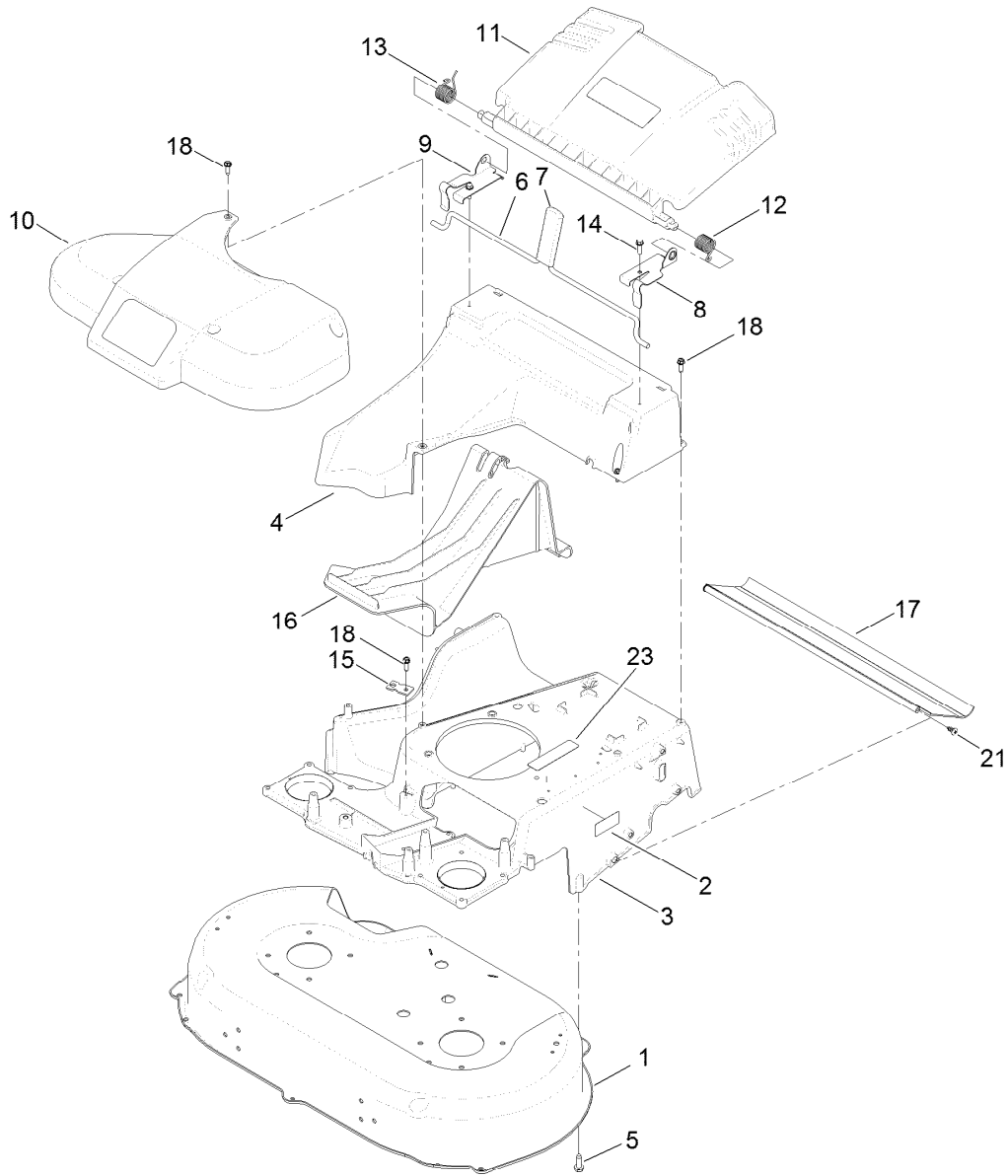
STD: standard

TAP: self tapping

TTH: torx truss head

Contents

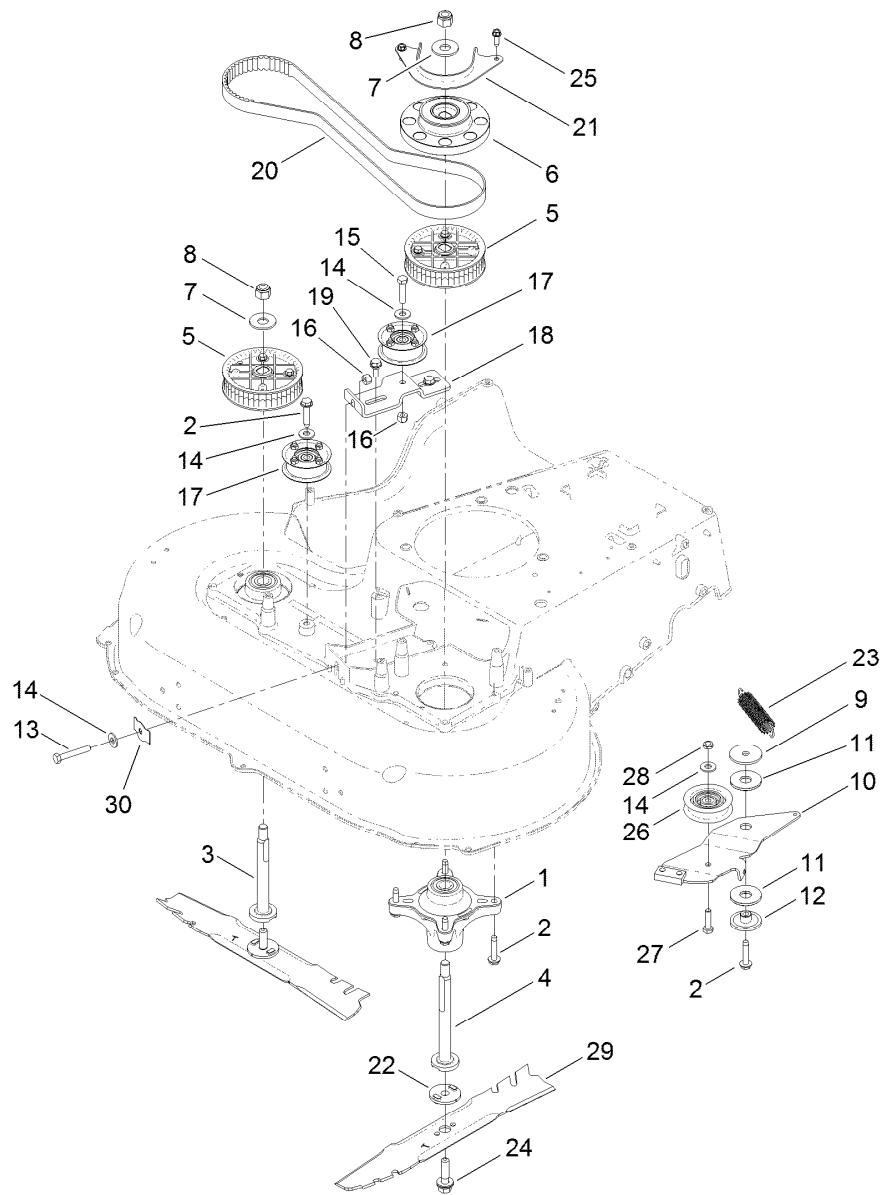
Deck and Frame Assembly	4
Belt, Spindle and Blade Assembly	5
Side Discharge Chute Assembly	6
Bag Assembly	7
Engine and Pulley Assembly	8
Front Wheel and Axle Assembly	9
Transmission, Rear Wheel and Height-of-Cut Assembly	10
Handle Assembly	11
Attachments and Accessories	12



Deck and Frame Assembly

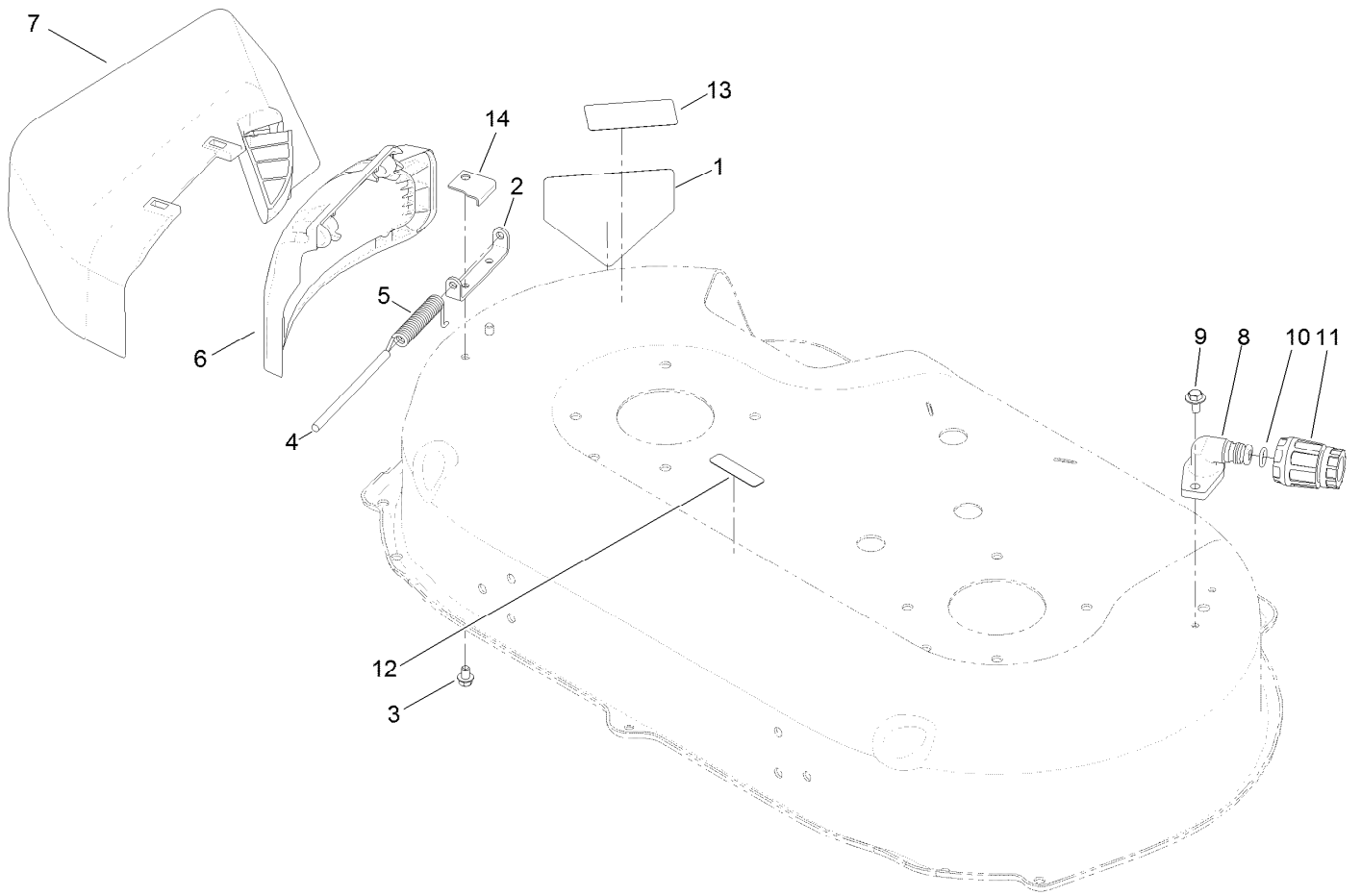
Ref.	Part Number	Qty.	Description	Ref.	Part Number	Qty.	Description
1	121-9170	1	Housing ASM	11	120-7048	1	Rear Deflector ASM
2	121-5684	1	Decal-Location, Service Dealer	12	115-2859	1	Spring-Torsion
3	120-3318-01	1	Frame	13	114-7924	1	Spring-Torsion
4	120-3336	1	Chute	14	46-8091	2	Screw-HWH
5	701243	2	Screw-HWHTF	15	107-7497	1	Bracket-Cable, Traction
6	120-3344	1	Rod-Release, Handle	16	120-5225	1	Plug-Mulch
7	120-7018	1	Grip-Lever	17	120-6241	1	Shield-Trailing
8	121-9114	1	Bracket-Door, LH	18	49-2040	9	Screw-HWHTF
9	121-9115	1	Bracket-Door, RH	21	117-1092	2	Screw-PTH
10	120-7049	1	Belt Cover ASM	23	117-2718	1	Decal-Arrester, Spark
				99	125-5072	1	Frame Plate Kit (Service) ●

● Not illustrated



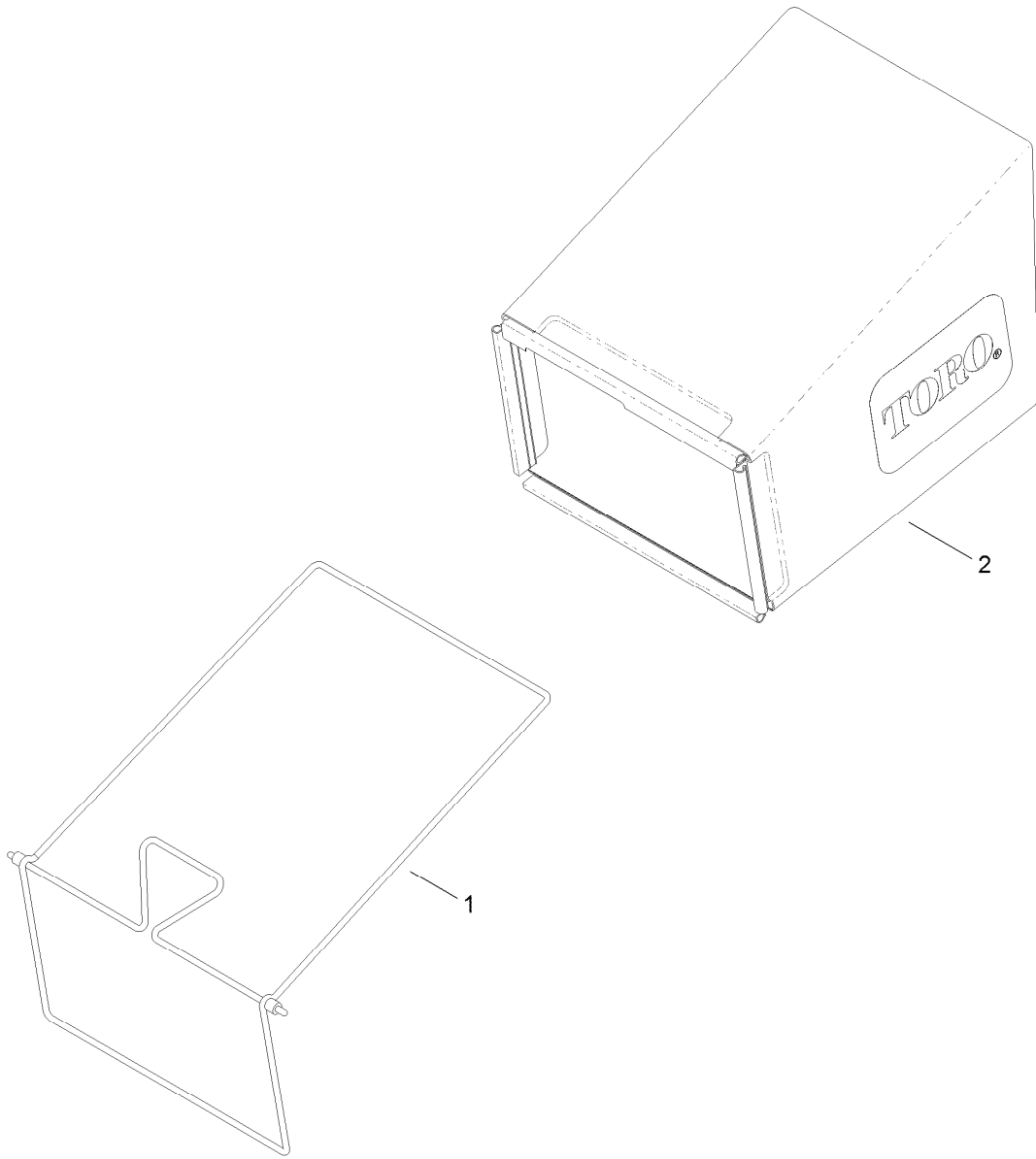
Belt, Spindle and Blade Assembly

<i>Ref.</i>	<i>Part Number</i>	<i>Qty.</i>	<i>Description</i>	<i>Ref.</i>	<i>Part Number</i>	<i>Qty.</i>	<i>Description</i>
1	120-6234	2	Spindle ASM	16	3296-29	2	Nut-Lock, NI
2	32144-57	10	Screw	17	121-5763	2	Pulley
3	120-5234	1	Shaft-Spindle	18	120-3348	1	Bracket-Idler
4	120-5235	1	Shaft-Spindle	19	120-7024	2	Screw-Shoulder, HHF
5	120-7042	2	Sprocket ASM	20	120-3335	1	Belt-Synchronous
6	120-3334	1	Pulley-Brake, Spindle	21	120-5245-03	1	Guide-Belt, Spindle
7	109-9505	2	Washer-Spring	22	120-5236	2	Adapter-Blade
8	3296-19	2	Nut-Hex	23	120-9458	1	Spring-Extension, Brake
9	63-7400	1	Washer-Rebound	24	105-8579	2	Bolt-Blade
10	120-6242	1	Arm-Brake	25	49-2040	2	Screw-HWHTF
11	121-2305	2	Washer-Friction, Composite	26	120-7082	1	Pulley-Idler
12	120-9490	1	Spacer	27	322-6	1	Screw-HH
13	9114524	1	Bolt-TAP, HH	28	3296-47	1	Nut-Lock, NI
14	3256-3	4	Washer-Flat	29	120-9500-03	2	Blade-Atomic, 15.4In
15	322-7	1	Screw-HH	30	121-2336	1	Spring-Flat



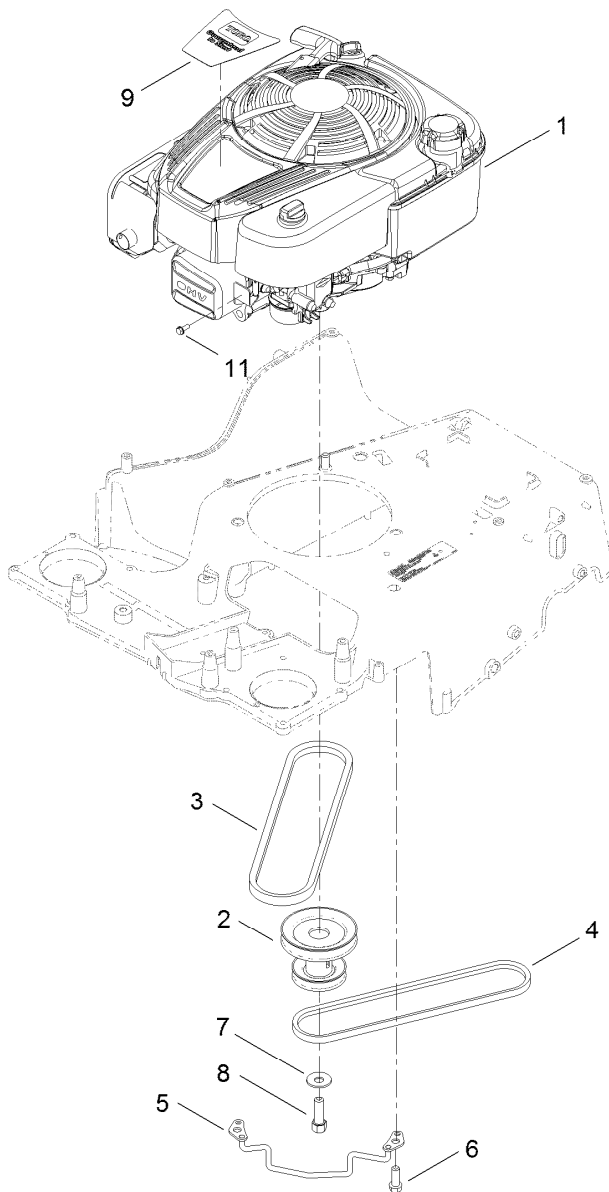
Side Discharge Chute Assembly

Ref.	Part Number	Qty.	Description
1	94-8072	1	Decal-Danger
2	112-6416	1	Bracket-Cover
3	99-8445	2	Screw-HWH
4	99-5291	1	Rod-Cover
5	121-5843	1	Spring-Torsion, Cover
6	121-9197	1	Deflector-Side
7	121-2319	1	Chute-Discharge, Side
8	95-2747	1	Fitting-Washout
9	46-8560	2	Screw-HHFTF
10	46-6290	1	O-Ring
11	95-3270	1	Connector-Hose
12	120-9570	1	Decal-Warning
13	108-8117	1	Decal-Placement, Foot
14	121-5842	1	Plate-Spring



Bag Assembly

<i>Ref.</i>	<i>Part Number</i>	<i>Qty.</i>	<i>Description</i>
1	121-5766-03	1	Frame-Bag
2	121-5770	1	Bag-Grass

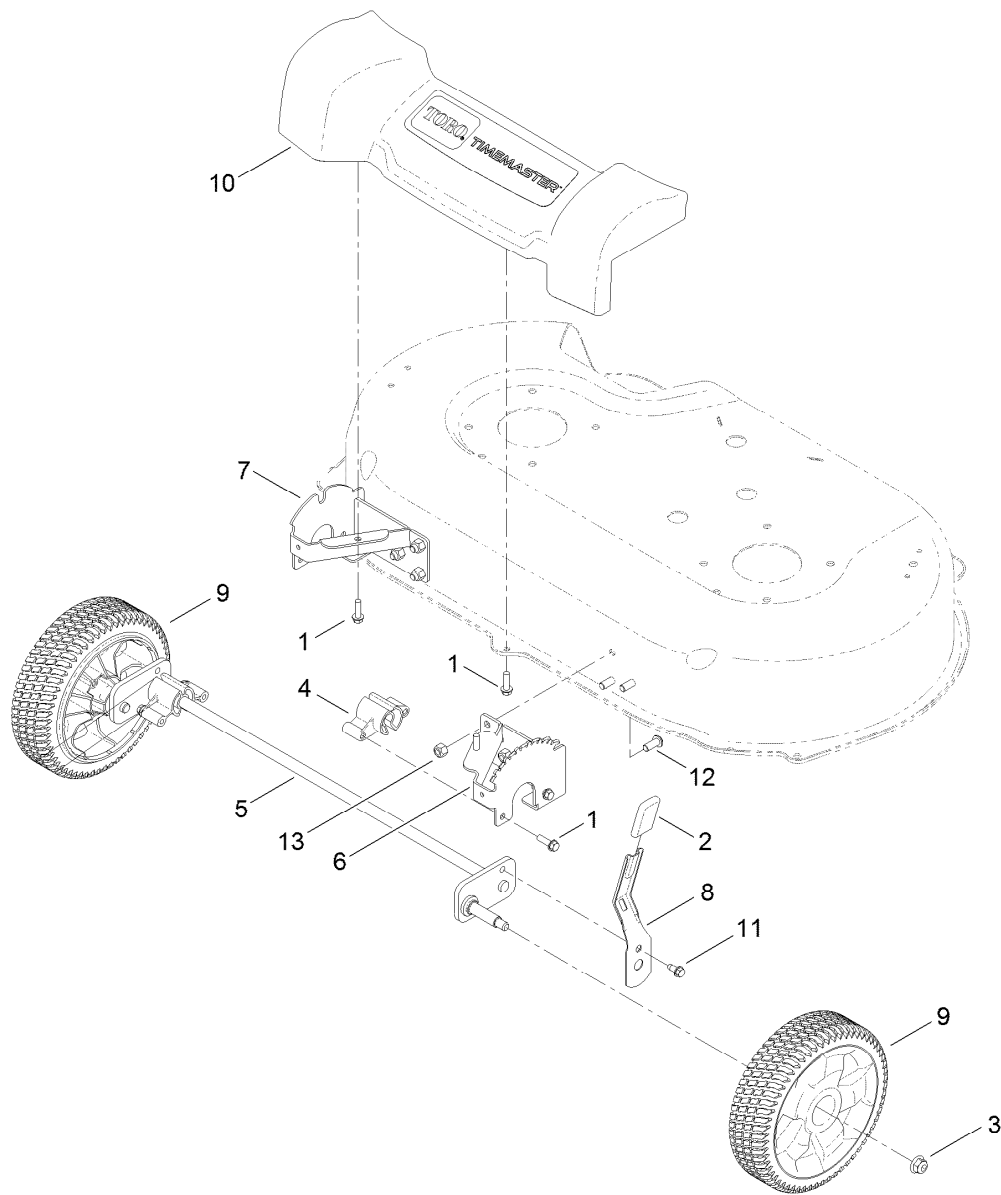


Engine and Pulley Assembly

Ref.	Part Number	Qty.	Description
1		1	Engine-Briggs, 121S020130F1 ●■
2	120-3333	1	Pulley-Engine
3	121-5765	1	V-Belt
4	120-9470	1	V-Belt, Traction
5	120-7077	1	Guide-Belt
6	95-1726	3	Screw-Taptite
7	3290-465	1	Washer-Belleville
8	26-0671	1	Screw-HH
9	121-2318	1	Decal-Shroud
11	32144-1	1	Screw-Taptite

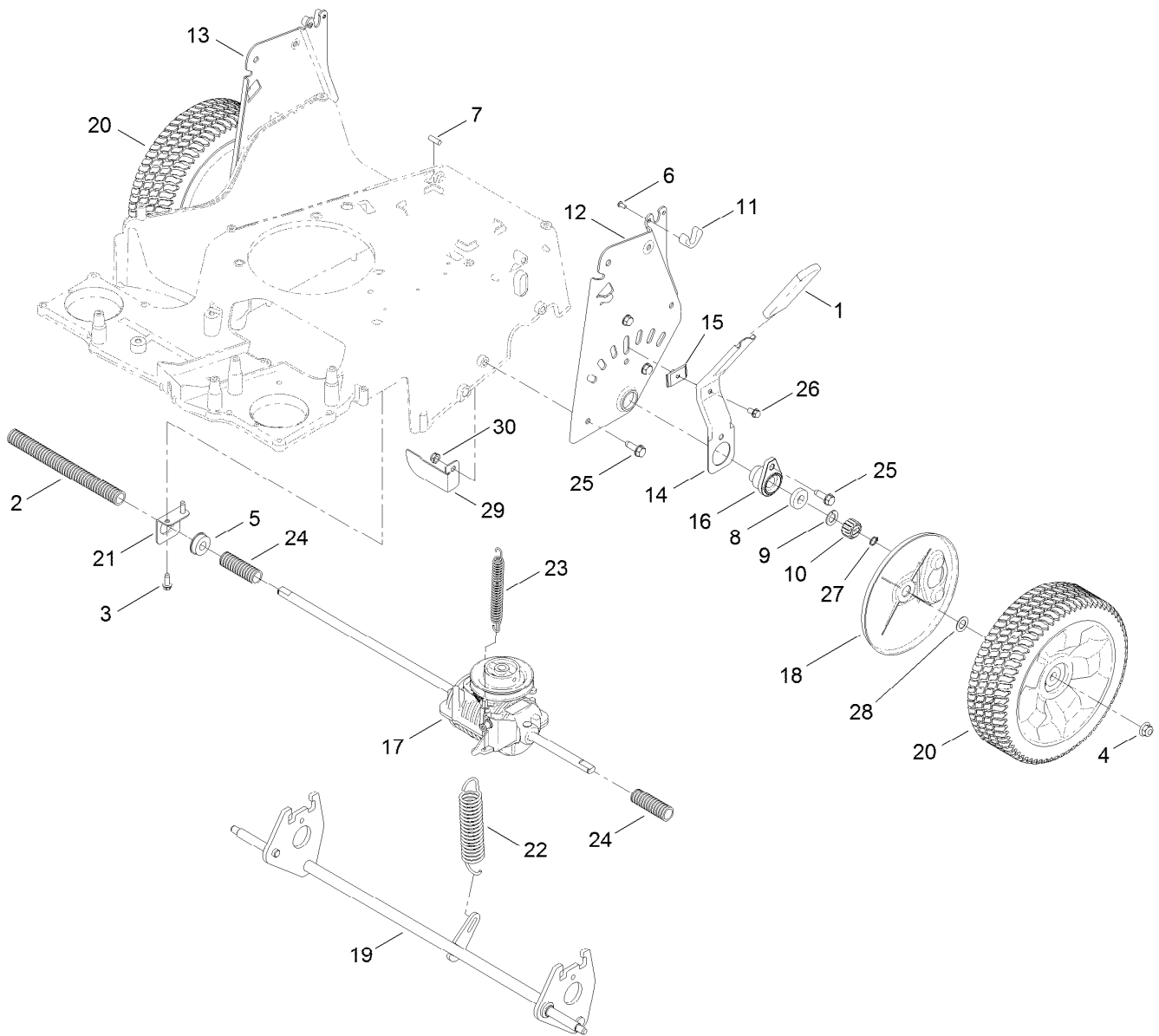
● Not serviced separately

■ Obtain parts from www.briggsandstratton.com



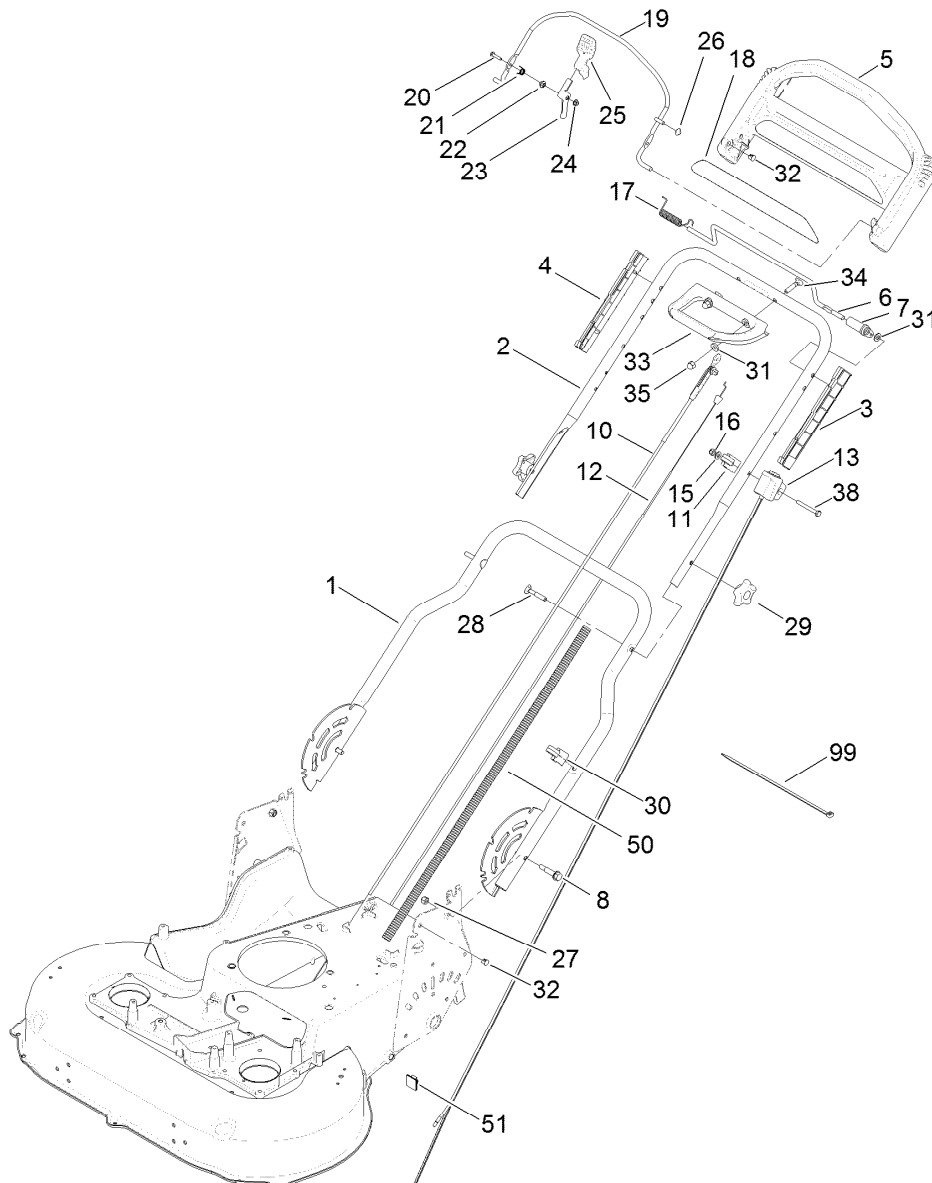
Front Wheel and Axle Assembly

Ref.	Part Number	Qty.	Description
1	46-8091	7	Screw-HWH
2	120-9535	1	Grip-Lever
3	104-8301	2	Nut-Flange, NI
4	114-7913	2	Bushing-Pivot, Front
5	120-6238	1	Axle-Front
6	120-7037-03	1	Plate-HOC, LH
7	120-7038-03	1	Plate-HOC, RH
8	120-7043	1	Arm-Spring
9	120-7045	2	8 Inch Wheel ASM
10	120-7061	1	Front Cover ASM
11	700057	1	Screw-HWH
12	3274-55	6	Screw-HSBH 5/16-18 X .75 Alo Blk Ecoat
13	3296-29	6	Nut-Lock, NI



Transmission, Rear Wheel and Height-of-Cut Assembly

Ref.	Part Number	Qty.	Description	Ref.	Part Number	Qty.	Description
1	1-633295	1	Grip-Lever, Lift	16	120-5210	2	Retainer-Bearing
2	121-5799	1	Conduit-Convolved	17	120-5211	1	Transmission-Msv2 Gt
3	49-2040	2	Screw-HWHTF	18	120-6233	2	Cover-Gear
4	104-8301	2	Nut-Flange, NI	19	120-6237	1	Axle-Rear
5	104-8699	1	Bearing-Ball	20	120-7006	2	10 Inch Wheel Gear ASM
6	105-9437	2	Screw-PPH	21	120-7008	1	Mount-Bearing
7	106-5681	1	Pin-Stop	22	120-7026	1	Spring-Extension
8	109-8020	2	Bearing-Ball	23	120-7027	1	Spring-Extension
9	110-7191	2	Washer-Thrust	24	121-5800	2	Conduit-Convolved
10	110-9417	2	Gear-Pinion, 15T	25	701243	8	Screw-HWHTF
11	115-8406	2	Anchor-Bag	26	32144-4	1	Screw-HWH
12	120-3342-03	1	Plate-HOC, LH	27	32151-61	2	Ring-Retaining
13	120-3343-03	1	Plate-HOC, RH	28	36-4780	2	Washer-Plain
14	120-5208	1	Arm-Spring, Rear	29	121-5821	1	Bracket-Stop
15	120-5209	1	Key-Springarm	30	3296-47	1	Nut-Lock, NI



Handle Assembly

Ref.	Part Number	Qty.	Description	Ref.	Part Number	Qty.	Description
1	120-5204-05	1	Handle-Lower	22	107-7463	1	Spacer
2	121-5783-05	1	Handle-Upper	23	106-6802	1	Lever
3	105-6842	1	Guide-LH	24	32128-17	1	Nut-Lock, Flange
4	105-6841	1	Guide-RH	25	112-8884	1	Knob-BBC
5	104-8678	1	Handle-Control	26	3290-337	1	Nut-Speed
6	99-1588	1	Bar-Control, Traction	27	3296-29	2	Nut-Lock, NI
7	99-1589	1	Lever-Traction	28	112-8876	2	Screw-Handle
8	120-7025	2	Bolt-Shoulder, HHF	29	117-5976	2	Knob-Handle
10	120-6243	1	Cable-Brake, BBC	30	114-7988	1	Guide-Cable
11	99-5239	1	Anchor-Cable	31	3256-23	1	Washer-Flat
12	120-6244	1	Cable-Traction	32	104-9368	3	Plug-Dome
13	117-5975	1	Switch Housing ASM	33	120-7087	1	Handle-Assist, Traction
15	3256-1	1	Washer-Flat	34	99-6005	2	Bolt-Carriage
16	3296-73	1	Nut-Lock, NI	35	32111-8	2	Nut-Lock, Cap
17	121-9118	1	Spring-Torsion	38	321-50	1	Screw-HH
18	117-1019	1	Decal	50	121-5801	1	Conduit-Convuluted
19	108-3788-03	1	Bail-Brake	51	121-5836	1	Guide-Cable
20	106-9169	1	Screw-HWH	99	614249	2	Tie-Cable
21	107-7462	1	Spring-Torsion				

Attachments and Accessories

For 20199 TimeMaster 30in Lawn Mower

Product Name	Model/Part
High-Lift Blade and Baffle Kit	127-6879
Replacement Blade Kit	20120

Notes:

Notes:

Notes:



Count on it.