



Count on it.

Parts Catalog

TimeMaster 30in Lawn Mower

Model No. 20200—Serial No. 312000001 and Up



Ordering Replacement Parts

To order replacement parts, please supply the part number, the quantity, and the description of each part desired.

Understanding Reference Numbers

Each identified part in an illustration has a reference number. The reference number for a part also appears in the parts list, along with other information about the part.

This catalog uses two special reference number formats, one to indicate parts in a service assembly and another to indicate the quantity of a given part in an illustration.

Service Assembly Reference Numbers

Parts in service assemblies have reference numbers in the form a:b. The a represents the reference number of the entire service assembly and the b represents a sequential number unique to each part within the service assembly.

For example, a wheel assembly might be identified by reference number 6, the tire by 6:1, the valve by 6:2, and the wheel by 6:3. When you order the assembly identified by reference number 6, you receive all parts identified by reference numbers 6:1, 6:2, and 6:3. However, you may also order any part individually. Reference numbers of this type appear in illustration and in parts lists.

Reference Numbers Indicating Quantity

In an illustration, if a reference number indicates more than one part, the reference number has the form nX y. The n represents the quantity of the part, the X is the multiplication symbol, and the y represents the reference number.

For example, in an illustration, the reference number 2X 37 means that two of the parts identified by reference number 37 are indicated.

List of Abbreviations

AR: as required

ASM: assembly

BBC: blade brake control

BHTF: button head thread forming

CARR: carriage

CCW: counter clockwise

CW: clockwise

DEG: degrees

DPA: Dual Point Adjustment

ECM: electronic control module

EXT: external

FH: flat head

GA: gauge

HD: heavy-duty

HF: hex flange

HH: hex head

HHF: hex head flange

HHFTF: hex head flange thread forming

HJ: hex jam

HLH: hex lag head

HOC: height-of-cut

HP: high pressure

HSBH: hex socket button head

HSFH: hex socket flat head

HSH: hex socket head

HWH: hex washer head

HWHTF: hex washer head thread forming

HYD: hydraulic

LH: left hand

LP: low pressure

LPG: Liquefied Petroleum Gas

NI: nylon insert

NPTF: national pipe thread fine

PFH: phillips flat head

PPH: phillips pan head

PPHTF: phillips pan head thread forming

PRH: phillips round head

PTH: phillips truss head

PTO: power-take-off

RH: right hand

ROPS: roll-over protection system

RRB: rear roller brush

SFH: slotted fillister head

SHH: slotted hex head

SHWH: slotted hex washer head

SPH: slotted pan head

SQH: square head

SRH: slotted round head

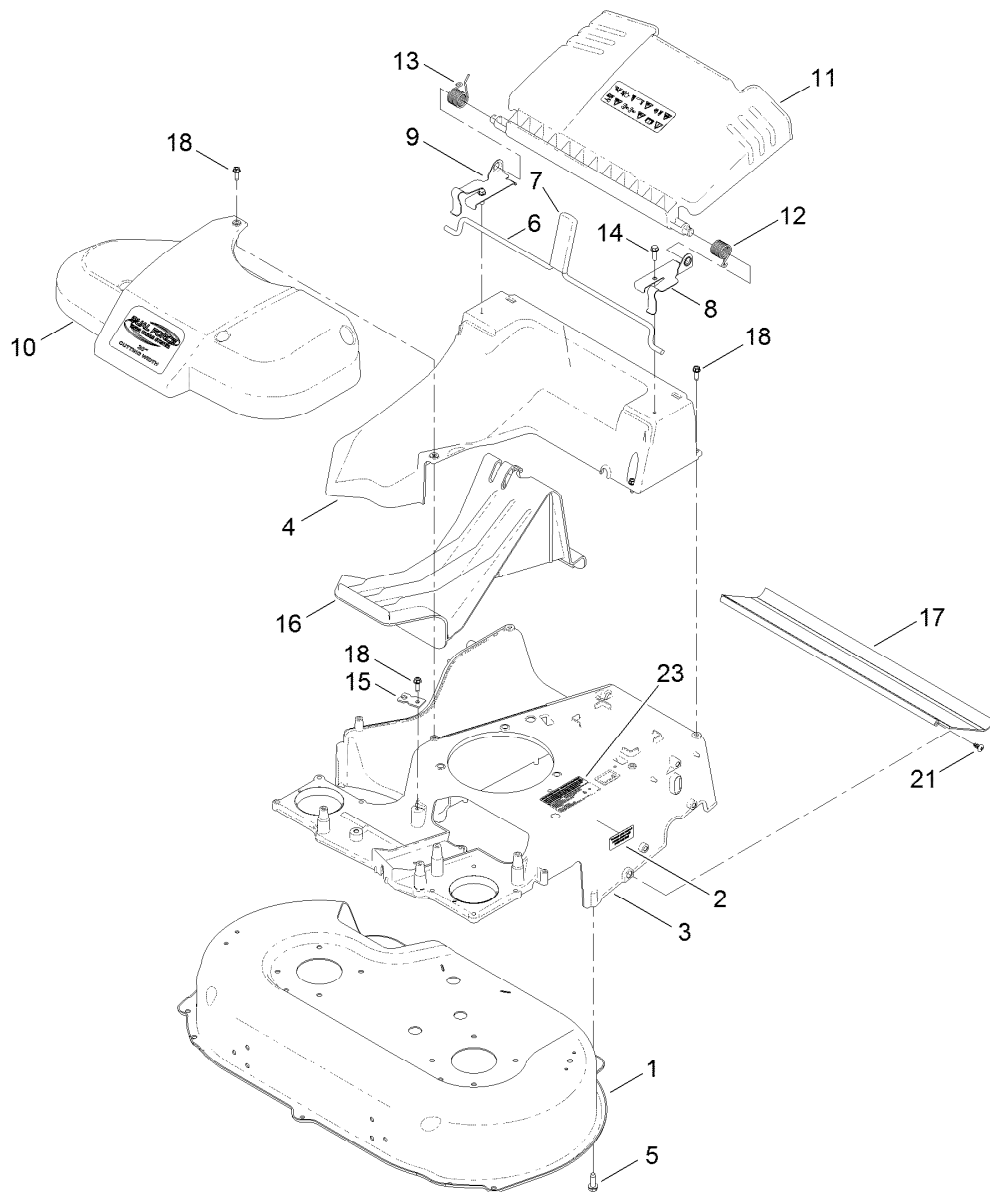
STD: standard

TAP: self tapping

TTH: torx truss head

Contents

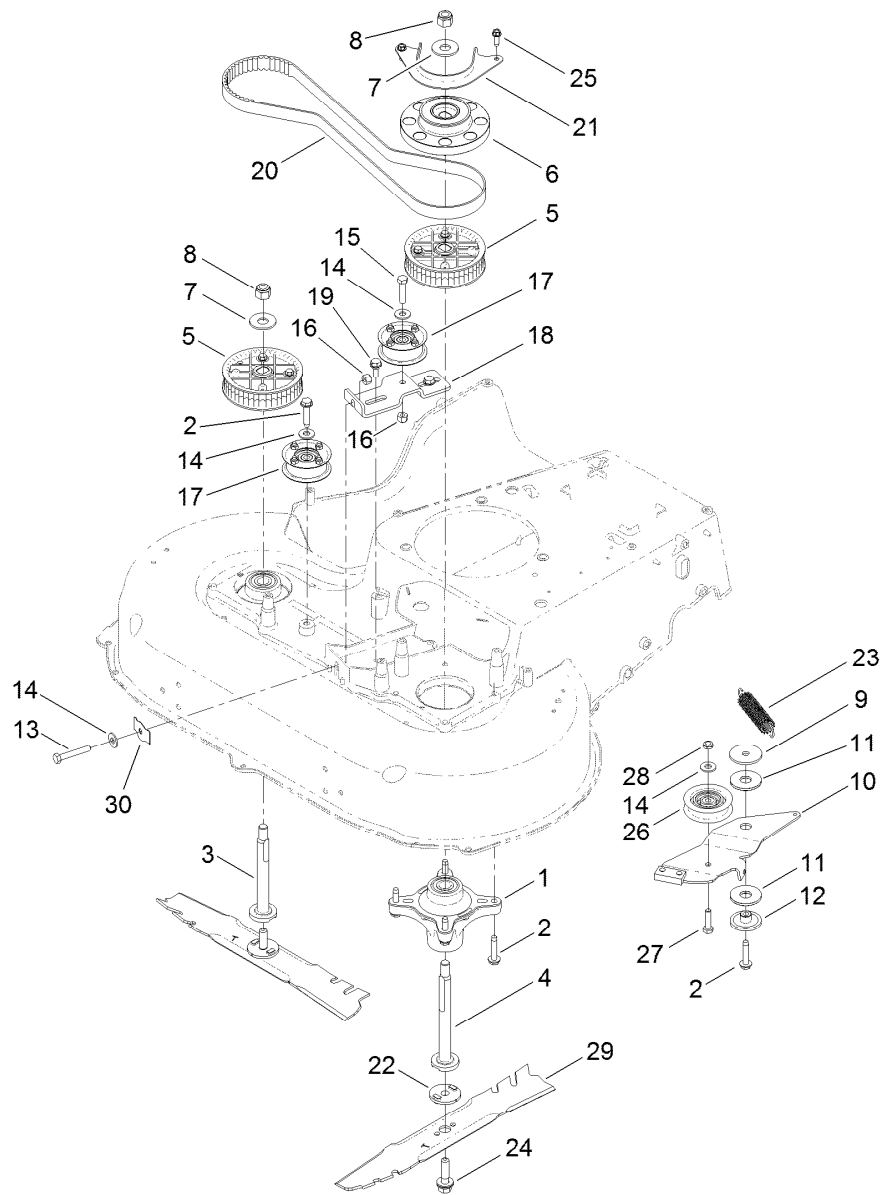
Deck and Frame Assembly	4
Belt, Spindle and Blade Assembly	5
Side Discharge Shute Assembly	6
Engine and Pulley Assembly	7
Front Wheel and Axle Assembly	8
Transmission, Rear Wheel and Height-of-Cut Assembly	9
Handle and Electrical Assembly	10
Bag Assembly	12
Attachments and Accessories	13



Deck and Frame Assembly

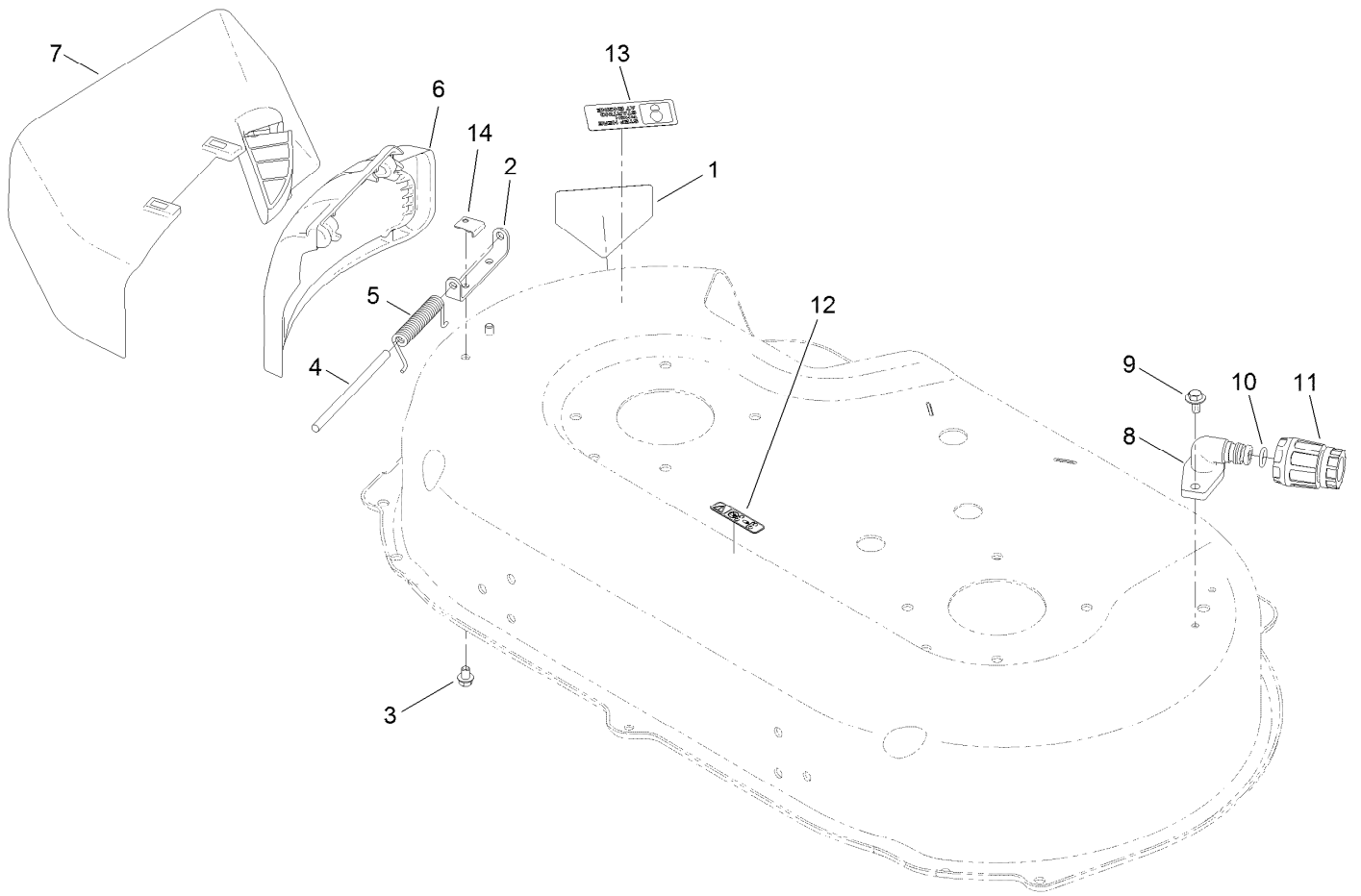
<i>Ref.</i>	<i>Part Number</i>	<i>Qty.</i>	<i>Description</i>	<i>Ref.</i>	<i>Part Number</i>	<i>Qty.</i>	<i>Description</i>
1	125-5087	1	Housing ASM	11	120-7048	1	Rear Deflector ASM
2	121-5684	1	Decal-Location, Service Dealer	12	115-2859	1	Spring-Torsion
3	120-3318-01	1	Frame	13	114-7924	1	Spring-Torsion
4	120-3336	1	Chute	14	46-8091	2	Screw-HWH
5	701243	2	Screw-HWHTF	15	107-7497	1	Bracket-Cable, Traction
6	120-3344	1	Rod-Release, Handle	16	120-5225	1	Plug-Mulch
7	120-7018	1	Grip-Lever	17	120-6241	1	Shield-Trailing
8	120-3345	1	Bracket-Door, LH	18	49-2040	9	Screw-HWHTF
9	120-3346	1	Bracket-Door, RH	21	117-1092	2	Screw-PTH
10	120-7049	1	Belt Cover ASM	23	117-2718	1	Decal-Arrester, Spark
				99	125-5072	1	Frame Plate Kit (Service)●

● Not illustrated



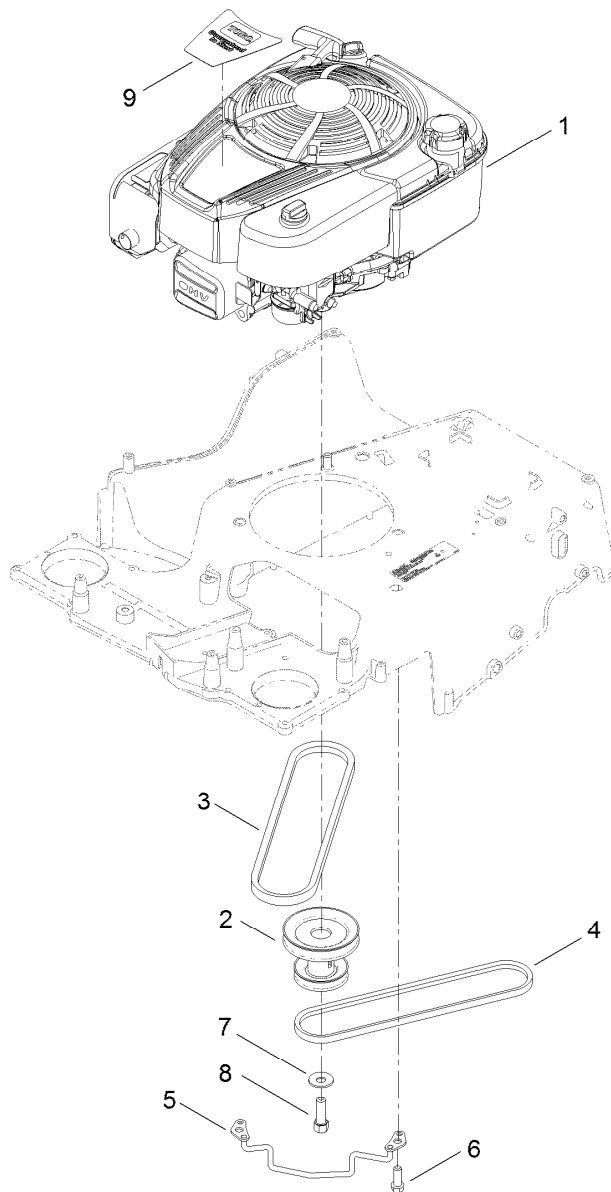
Belt, Spindle and Blade Assembly

<i>Ref.</i>	<i>Part Number</i>	<i>Qty.</i>	<i>Description</i>	<i>Ref.</i>	<i>Part Number</i>	<i>Qty.</i>	<i>Description</i>
1	120-6234	2	Spindle ASM	16	3296-29	2	Nut-Lock, NI
2	32144-57	10	Screw	17	121-5763	2	Pulley
3	120-5234	1	Shaft-Spindle	18	120-3348	1	Bracket-Idler
4	120-5235	1	Shaft-Spindle	19	120-7024	2	Screw-Shoulder, HHF
5	120-7042	2	Sprocket ASM	20	120-3335	1	Belt-Synchronous
6	120-3334	1	Pulley-Brake, Spindle	21	120-5245-03	1	Guide-Belt, Spindle
7	109-9505	2	Washer-Spring	22	120-5236	2	Adapter-Blade
8	3296-19	2	Nut-Hex	23	120-9458	1	Spring-Extension, Brake
9	63-7400	1	Washer-Rebound	24	105-8579	2	Bolt-Blade
10	120-6242	1	Arm-Brake	25	49-2040	2	Screw-HWHTF
11	121-2305	2	Washer-Friction, Composite	26	120-7082	1	Pulley-Idler
12	120-9490	1	Spacer	27	322-6	1	Screw-HH
13	9114524	1	Bolt-TAP, HH	28	3296-47	1	Nut-Lock, NI
14	3256-3	4	Washer-Flat	29	120-9500-03	2	Blade-Atomic, 15.4In
15	322-7	1	Screw-HH	30	121-2336	1	Spring-Flat



Side Discharge Shute Assembly

Ref.	Part Number	Qty.	Description
1	94-8072	1	Decal-Danger
2	112-6416	1	Bracket-Cover
3	99-8445	2	Screw-HWH
4	99-5291	1	Rod-Cover
5	121-5843	1	Spring-Torsion, Cover
6	120-5247	1	Deflector-Side
7	121-2319	1	Chute-Discharge, Side
8	95-2747	1	Fitting-Washout
9	46-8560	2	Screw-HHFTF
10	46-6290	1	O-Ring
11	95-3270	1	Connector-Hose
12	120-9570	1	Decal-Warning
13	108-8117	1	Decal-Placement, Foot
14	121-5842	1	Plate-Spring

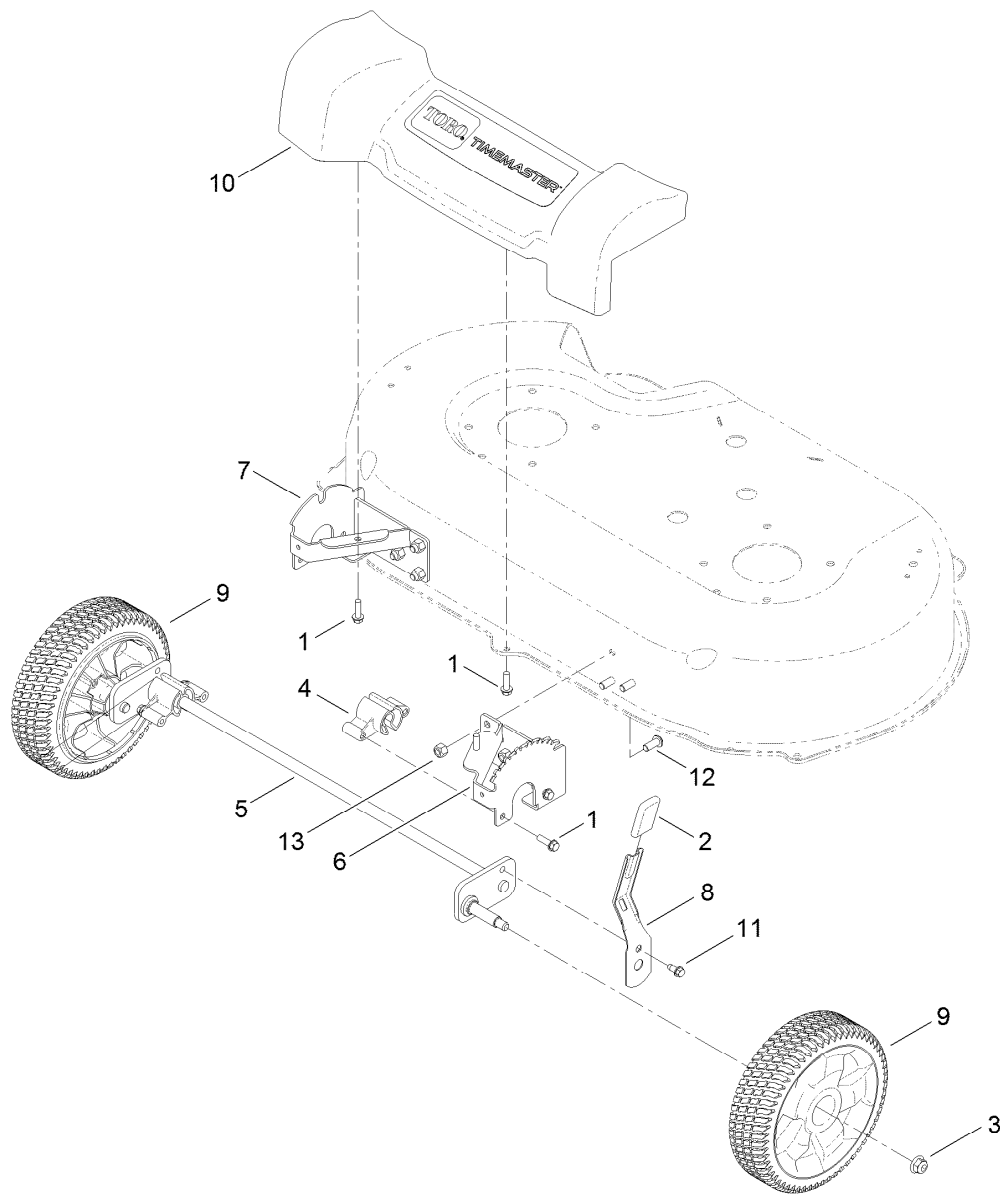


Engine and Pulley Assembly

Ref.	Part Number	Qty.	Description
1		1	Engine-Briggs, 121S170127F1 ●■
2	120-3333	1	Pulley-Engine
3	121-5765	1	V-Belt
4	120-9470	1	V-Belt, Traction
5	120-7077	1	Guide-Belt
6	95-1726	3	Screw-Taptite
7	3290-465	1	Washer-Belleville
8	26-0671	1	Screw-HH
9	121-2318	1	Decal-Shroud

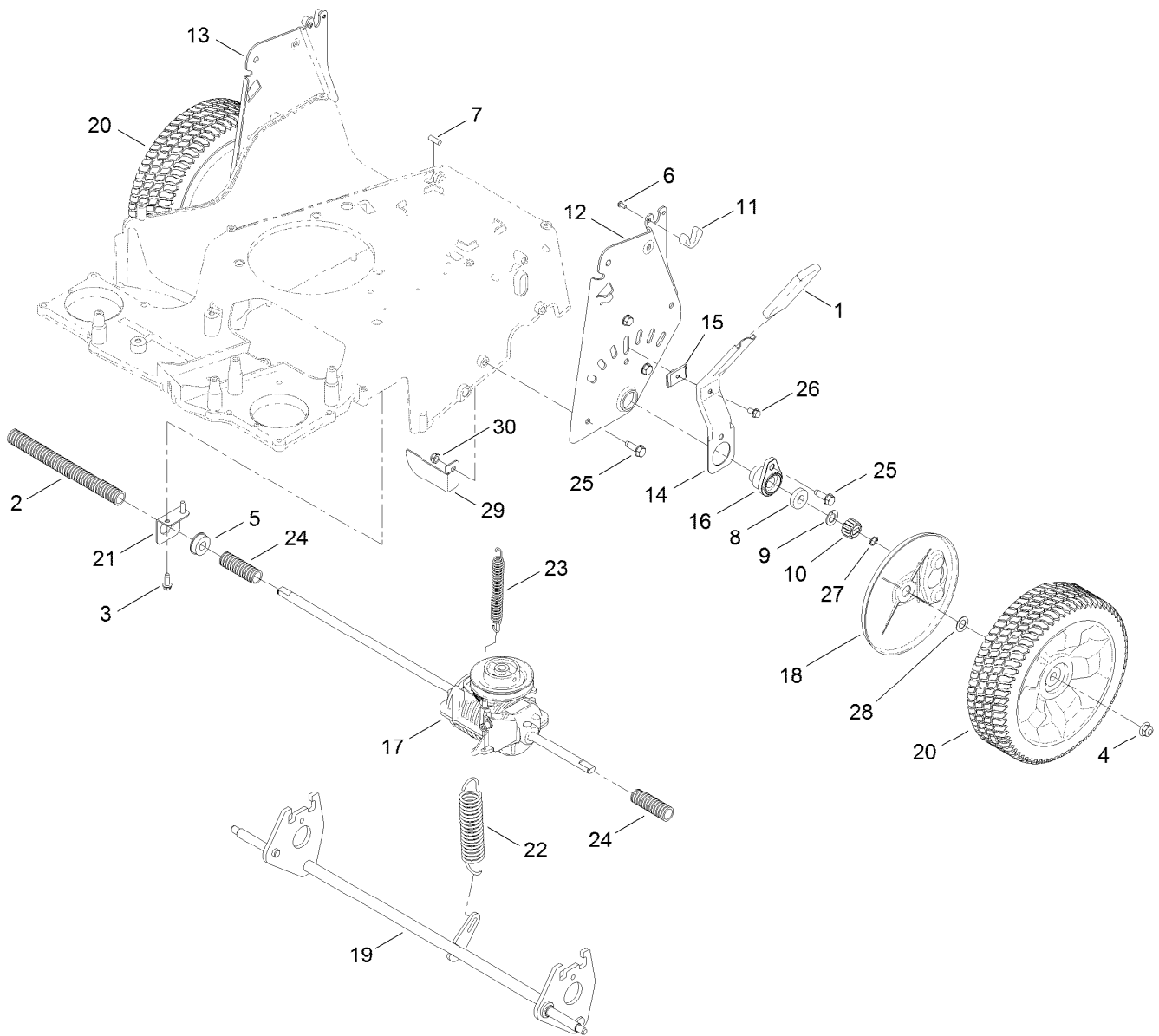
● Not serviced separately

■ Obtain parts from www.briggsandstratton.com



Front Wheel and Axle Assembly

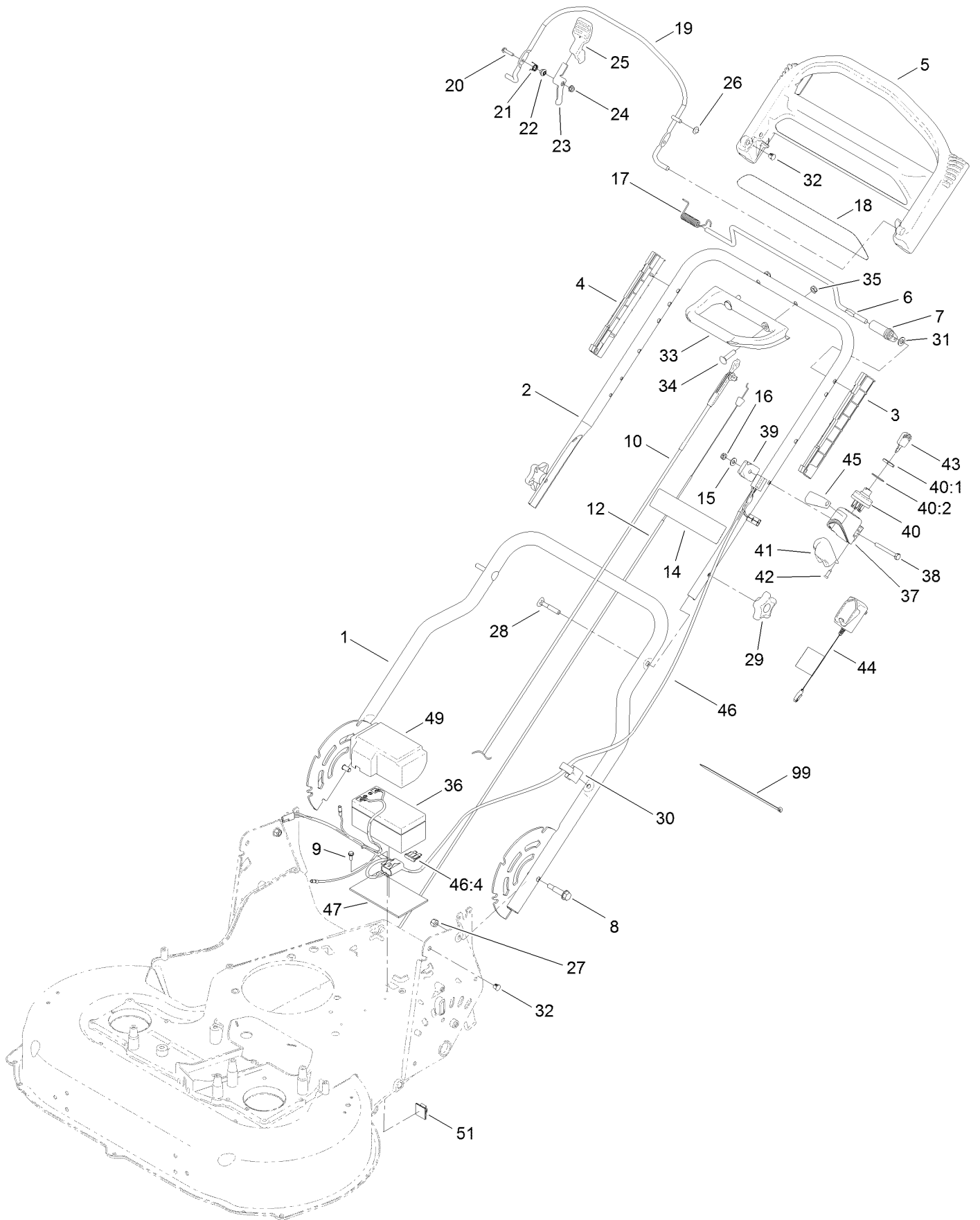
Ref.	Part Number	Qty.	Description
1	46-8091	7	Screw-HWH
2	120-9535	1	Grip-Lever
3	104-8301	2	Nut-Flange, NI
4	114-7913	2	Bushing-Pivot, Front
5	120-6238	1	Axle-Front
6	120-7037-03	1	Plate-HOC, LH
7	120-7038-03	1	Plate-HOC, RH
8	120-7043	1	Arm-Spring
9	120-7045	2	8 Inch Wheel ASM
10	120-7061	1	Front Cover ASM
11	700057	1	Screw-HWH
12	3274-55	6	Screw-HSBH 5/16-18 X .75 Alo Blk Ecoat
13	3296-29	6	Nut-Lock, NI



Transmission, Rear Wheel and Height-of-Cut Assembly

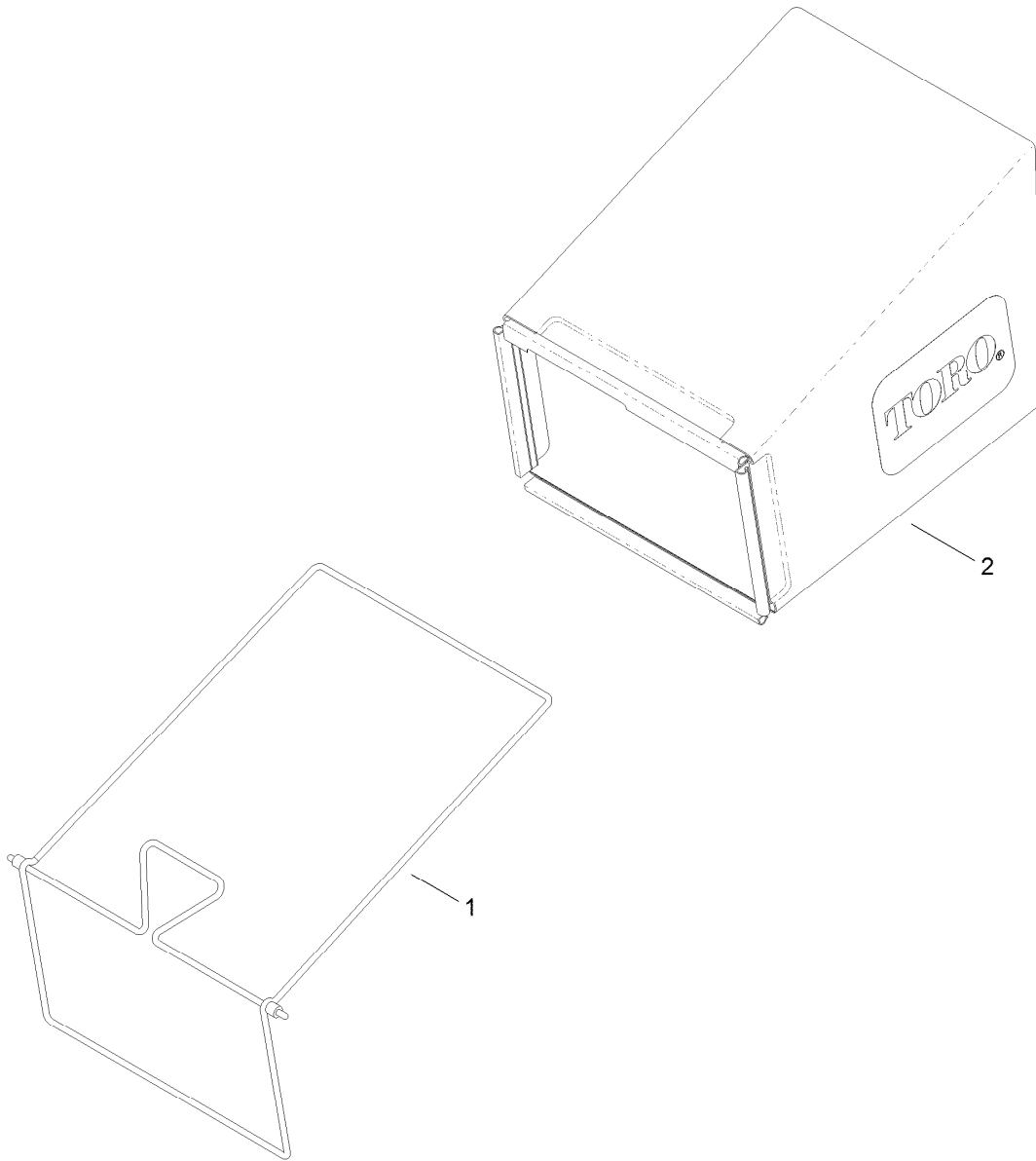
Ref.	Part Number	Qty.	Description	Ref.	Part Number	Qty.	Description
1	1-633295	1	Grip-Lever, Lift	16	120-5210	2	Retainer-Bearing
2	121-5799	1	Conduit-Convolved	17	120-5211	1	Transmission-Msv2 Gt
3	49-2040	2	Screw-HWHTF	18	120-6233	2	Cover-Gear
4	104-8301	2	Nut-Flange, NI	19	120-6237	1	Axle-Rear
5	104-8699	1	Bearing-Ball	20	120-7006	2	10 Inch Wheel Gear ASM
6	105-9437	2	Screw-PPH	21	120-7008	1	Mount-Bearing
7	106-5681	1	Pin-Stop	22	120-7026	1	Spring-Extension
8	109-8020	2	Bearing-Ball	23	120-7027	1	Spring-Extension
9	110-7191	2	Washer-Thrust	24	121-5800	2	Conduit-Convolved
10	110-9417	2	Gear-Pinion, 15T	25	701243	8	Screw-HWHTF
11	115-8406	2	Anchor-Bag	26	32144-4	1	Screw-HWH
12	120-3342-03	1	Plate-HOC, LH	27	32151-61	2	Ring-Retaining
13	120-3343-03	1	Plate-HOC, RH	28	36-4780	2	Washer-Plain
14	120-5208	1	Arm-Spring, Rear	29	121-5821	1	Bracket-Stop
15	120-5209	1	Key-Springarm	30	3296-47	1	Nut-Lock, NI

Handle and Electrical Assembly



Handle and Electrical Assembly (continued)

<i>Ref.</i>	<i>Part Number</i>	<i>Qty.</i>	<i>Description</i>	<i>Ref.</i>	<i>Part Number</i>	<i>Qty.</i>	<i>Description</i>
1	120-5204-05	1	Handle-Lower	29	117-5976	2	Knob-Handle
2	121-5783-05	1	Handle-Upper	30	114-7988	1	Guide-Cable
3	105-6842	1	Guide-LH	31	3256-23	1	Washer-Flat
4	105-6841	1	Guide-RH	32	104-9368	3	Plug-Dome
5	104-8678	1	Handle-Control	33	120-7087	1	Handle-Assist, Traction
6	99-1588	1	Bar-Control, Traction	34	99-6005	2	Bolt-Carriage
7	99-1589	1	Lever-Traction	35	99-6007	2	Nut-Lock, NI
8	120-7025	2	Bolt-Shoulder, HHF	36	106-8397	1	Battery-Wet
9	32144-1	1	Screw-Taptite	37	108-3795	1	Housing-Switch, Key
10	120-6243	1	Cable-Brake, BBC	38	321-50	1	Screw-HH
12	120-6244	1	Cable-Traction	39	92-7729	1	Anchor-Cable, Upper
14	104-7953	1	Decal	40	23-0660	1	Switch-Starter
15	3256-1	1	Washer-Flat	40:1	218-461	1	Nut-HH
16	3296-56	1	Nut-Lock, NI	40:2	3254-5	1	Washer-Tooth, Internal
17	121-9118	1	Spring-Torsion	41	108-3796	1	Cover-Swtch
18	117-1019	1	Decal	42	32144-111	2	Screw-PPH
19	108-3788-03	1	Bail-Brake	43	700918	1	Key
20	106-9169	1	Screw-HWH	44	114-1588	1	Charger-Battery
21	107-7462	1	Spring-Torsion	45	108-9751	1	Decal-Switch, Ignition
22	107-7463	1	Spacer	46	117-0070	1	Harness-Wire
23	106-6802	1	Lever	46:4	99-6124	1	Fuse-40 Amp
24	32128-17	1	Nut-Lock, Flange	47	108-0987	1	Foam-Battery
25	112-8884	1	Knob-BBC	49	120-3329	1	Cover-Battery
26	3290-337	1	Nut-Speed	51	121-5836	1	Guide-Cable
27	3296-29	2	Nut-Lock, NI	99	614249	2	Tie-Cable
28	112-8876	2	Screw-Handle				



Bag Assembly

<i>Ref.</i>	<i>Part Number</i>	<i>Qty.</i>	<i>Description</i>
1	121-5766-03	1	Frame-Bag
2	121-5770	1	Bag-Grass

Attachments and Accessories

For 20200 TimeMaster 30in Lawn Mower

Product Name	Model/Part
High-Lift Blade and Baffle Kit	127-6879
Replacement Blade Kit	20120

Notes:

Notes:



Count on it.