



Count on it.

Parts Catalog

Topdresser 2500

Model No. 44507—Serial No. 40000000 and Up



Ordering Replacement Parts

To order replacement parts, please supply the part number, the quantity, and the description of each part desired.

Understanding Reference Numbers

Each identified part in an illustration has a reference number. The reference number for a part also appears in the parts list, along with other information about the part.

This catalog uses two special reference number formats, one to indicate parts in a service assembly and another to indicate the quantity of a given part in an illustration.

Service Assembly Reference Numbers

Parts in service assemblies have reference numbers in the form a:b. The a represents the reference number of the entire service assembly and the b represents a sequential number unique to each part within the service assembly.

For example, a wheel assembly might be identified by reference number 6, the tire by 6:1, the valve by 6:2, and the wheel by 6:3. When you order the assembly identified by reference number 6, you receive all parts identified by reference numbers 6:1, 6:2, and 6:3. However, you may also order any part individually. Reference numbers of this type appear in illustration and in parts lists.

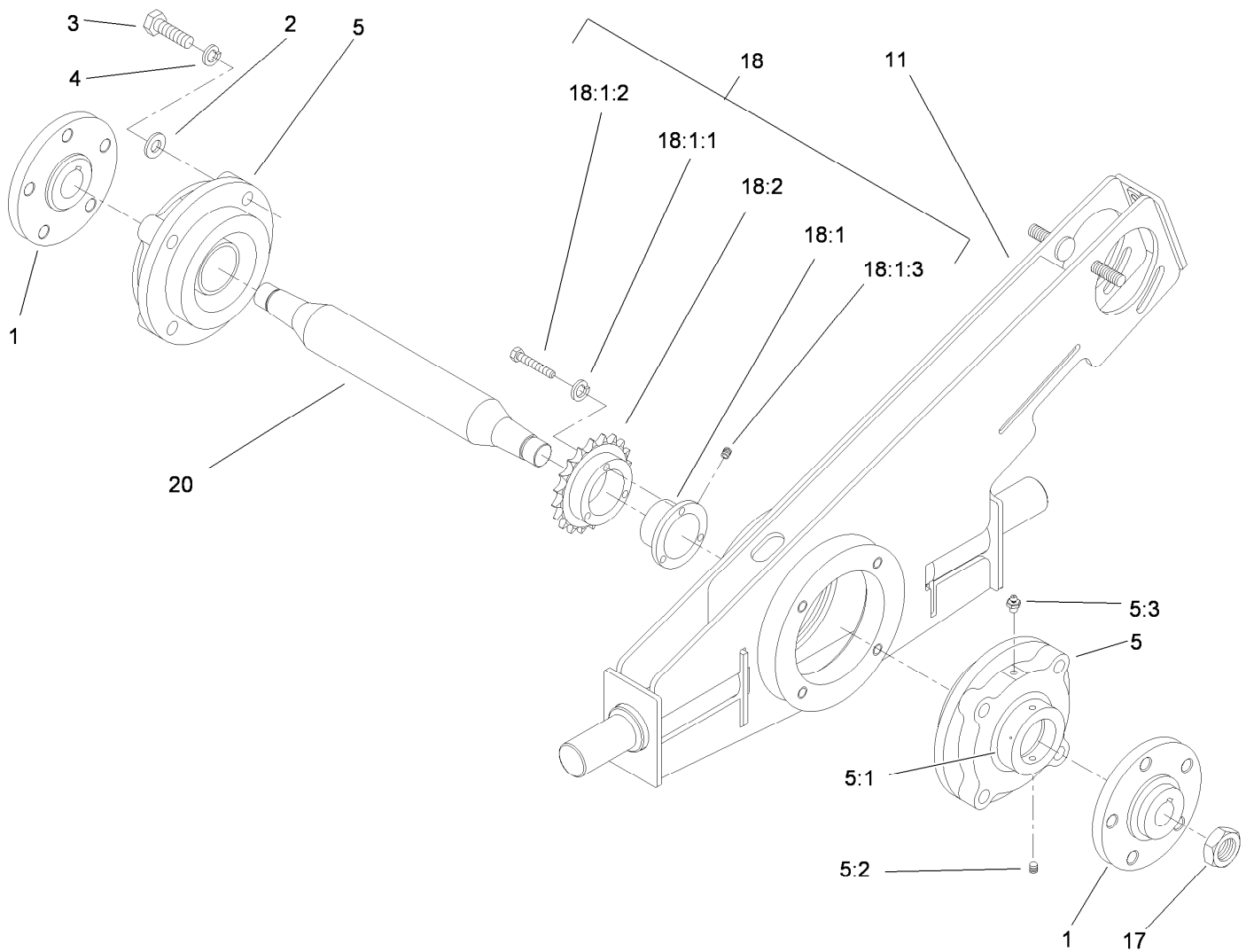
Reference Numbers Indicating Quantity

In an illustration, if a reference number indicates more than one part, the reference number has the form nX y. The n represents the quantity of the part, the X is the multiplication symbol, and the y represents the reference number.

For example, in an illustration, the reference number 2X 37 means that two of the parts identified by reference number 37 are indicated.

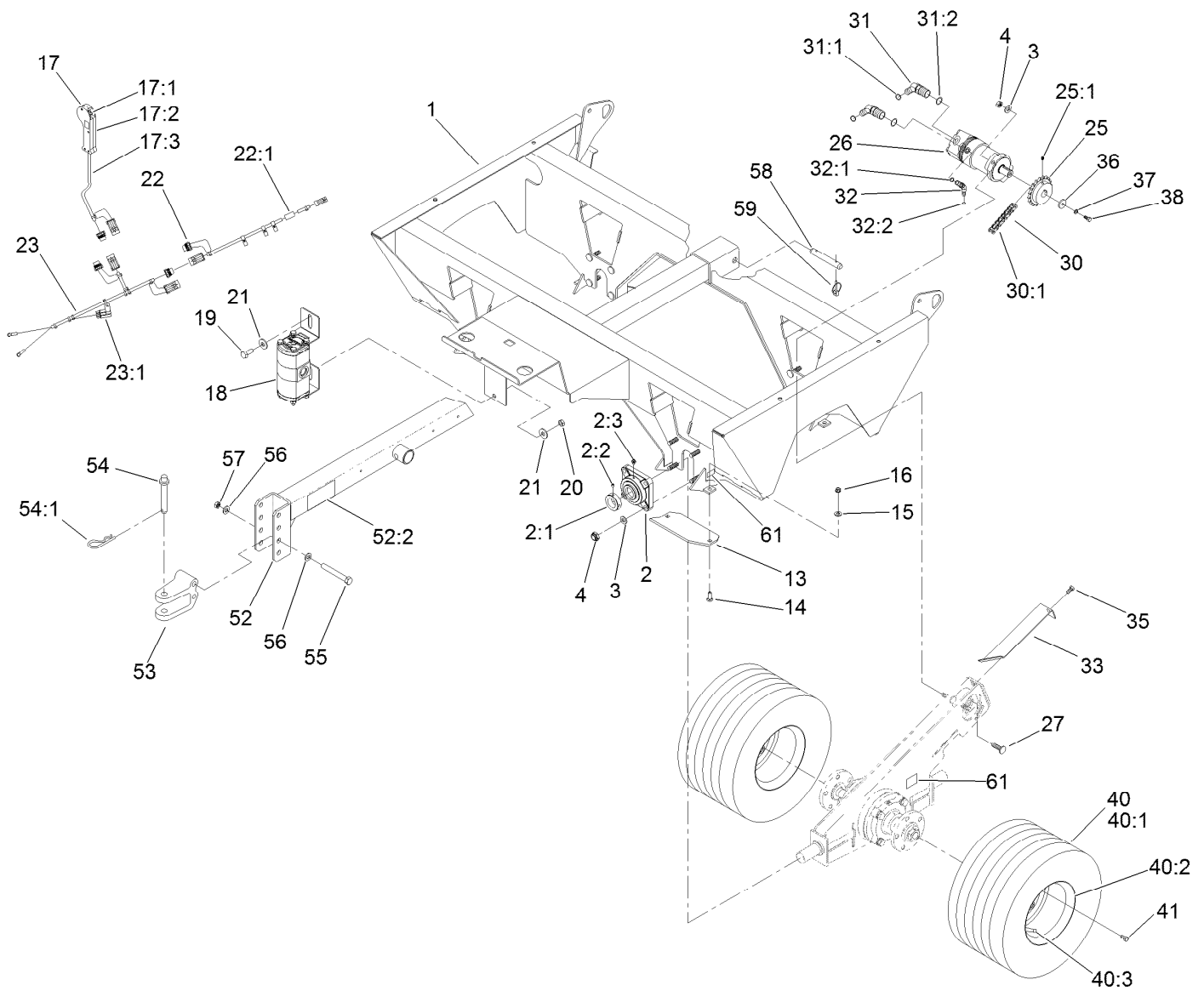
Contents

| | |
|---|----|
| Cradle Assembly | 4 |
| Cradle and Trailer Assembly | 5 |
| Hydraulic Motor Assembly No. 100-1459 | 7 |
| Hydraulic Manifold Assembly | 8 |
| Hydraulic Installation Assembly | 9 |
| Slider Bed and Roller Assembly | 10 |
| Gate Assembly | 11 |
| Brush and Motor Assembly | 12 |
| Hopper Assembly | 14 |
| Gate Slide and Brush Guard Assembly | 15 |
| Chain, Sprocket and Guard Assembly | 16 |



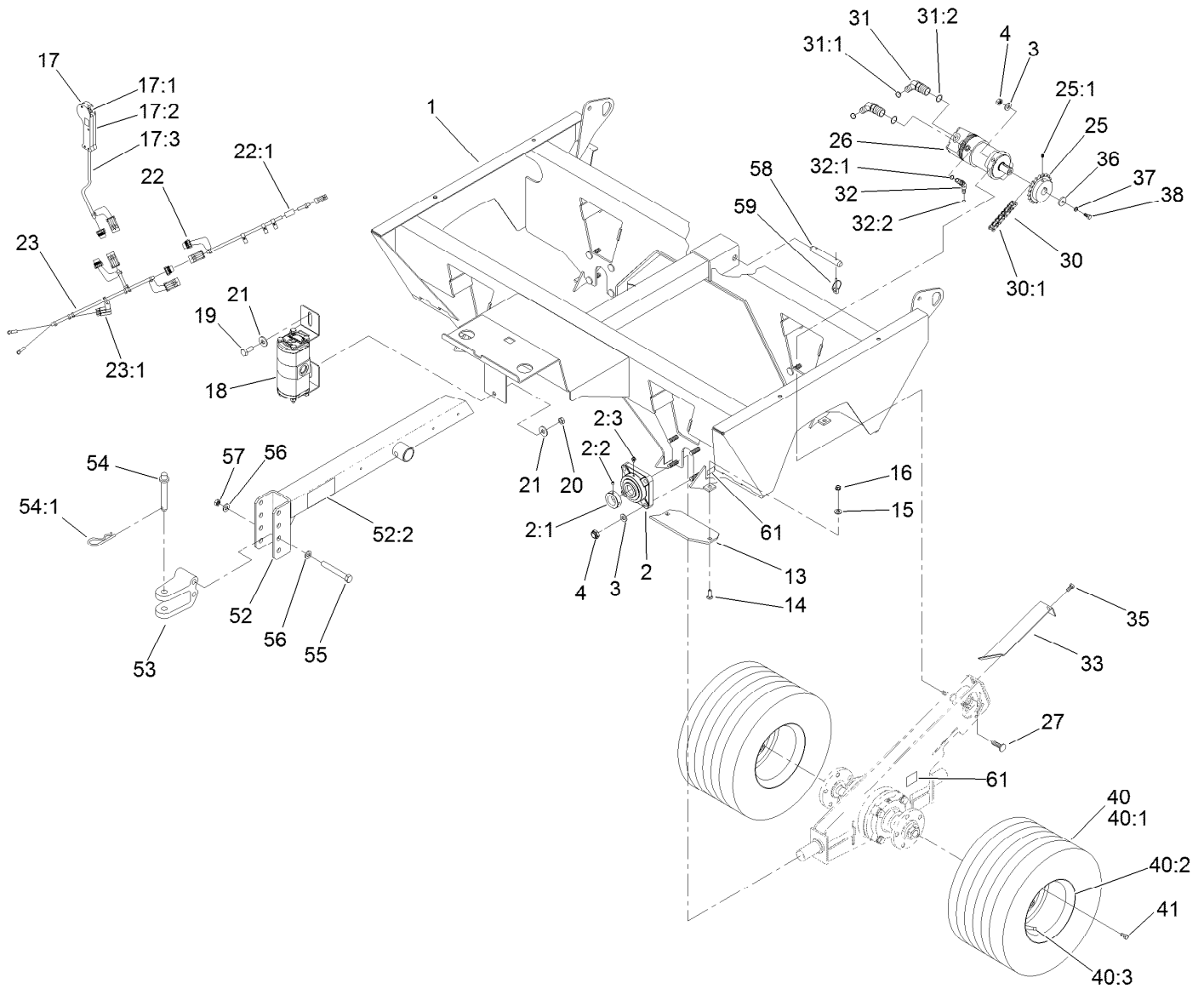
Cradle Assembly

| <i>Ref.</i> | <i>Part Number</i> | <i>Qty.</i> | <i>Description</i> | <i>Ref.</i> | <i>Part Number</i> | <i>Qty.</i> | <i>Description</i> |
|-------------|--------------------|-------------|--------------------|-------------|--------------------|-------------|---------------------------|
| 1 | 100-1418-03 | 4 | Hub | 17 | 26-3790 | 4 | Nut-Lock |
| 2 | 3256-26 | 16 | Washer-Flat | 18 | 100-7690 | 2 | Sprocket And Hub ASM |
| 3 | 325-7 | 16 | Screw-HH | 18:1 | 100-7730 | 1 | Bushing |
| 4 | 3253-7 | 16 | Washer-Lock | 18:1:1 | 3253-18 | 3 | Washer-Lock |
| 5 | 100-1455 | 4 | Bearing | 18:1:2 | 32104-96 | 3 | Screw-HH |
| 5:1 | 99-0194 | 1 | Collar-Locking | 18:1:3 | 3245-9 | 1 | Screw-Set, HSH |
| 5:2 | 99-0195 | 1 | Screw-Set, HSH | 18:2 | 100-7731 | 1 | Sprocket-Driven, 20 Tooth |
| 5:3 | 302-2 | 1 | Fitting-Grease | 20 | 100-1490 | 2 | Axle-Cradle |
| 11 | 100-1488-03 | 2 | Cradle | | | | |



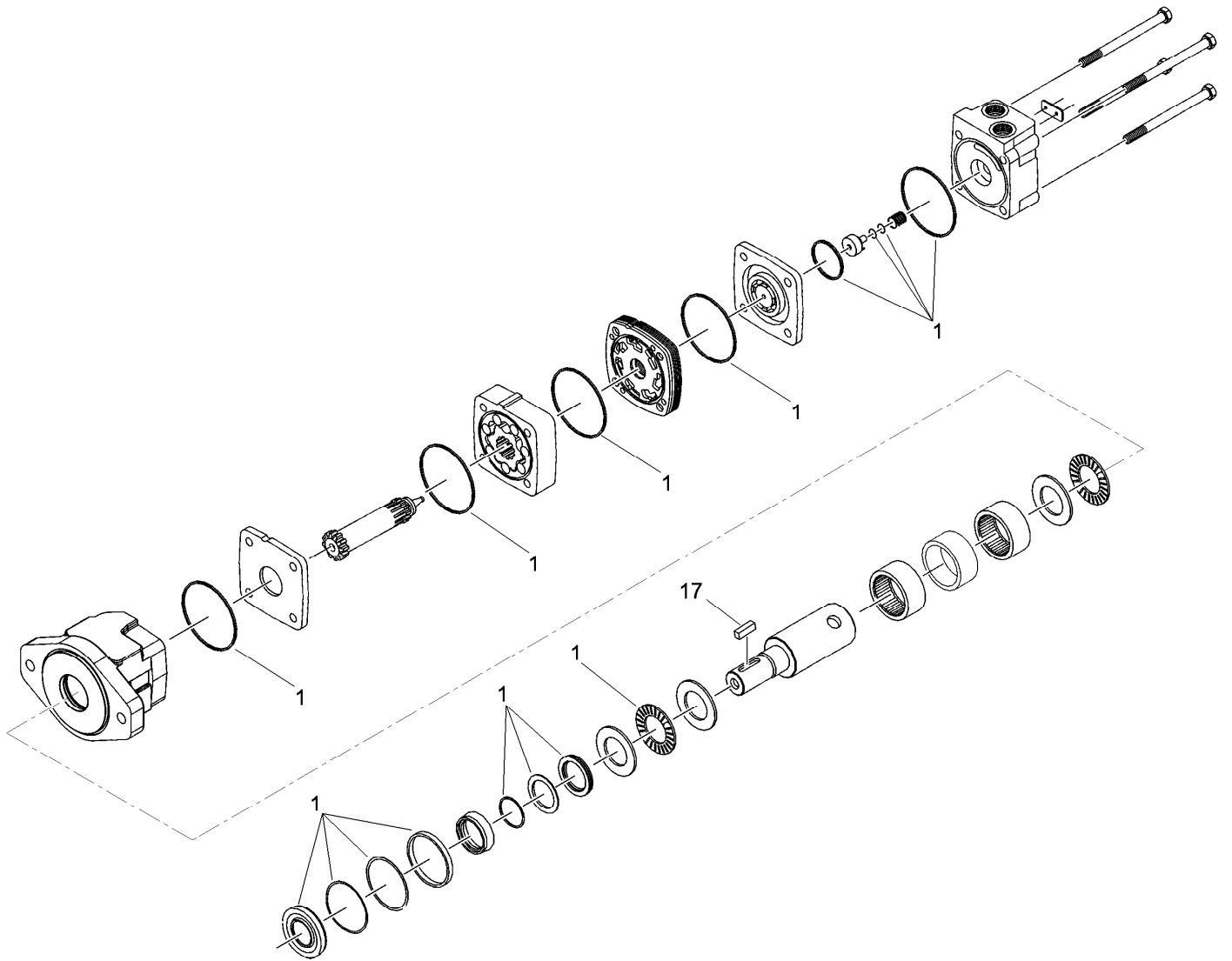
Cradle and Trailer Assembly

| Ref. | Part Number | Qty. | Description | Ref. | Part Number | Qty. | Description |
|------|-------------|------|-----------------------|------|-------------|------|------------------------|
| 1 | 106-9671-01 | 1 | Frame-Trailer | 23 | 99-0198 | 1 | Harness-Wire, Battery |
| 2 | 100-1456 | 4 | Bearing | 23:1 | 110928 | 1 | Fuse-Blade, 5 Amp |
| 2:1 | 01-172-0090 | 1 | Collar-Lock | 25 | 100-7691 | 2 | Sprocket-Chain, Roller |
| 2:2 | 3246-16 | 1 | Screw-Set | 25:1 | 3246-3 | 2 | Screw-HSH |
| 2:3 | 302-2 | 1 | Fitting-Grease | 26 | 100-1459 | 2 | Motor-HYD |
| 3 | 3256-26 | 20 | Washer-Flat | 27 | 100-7698 | 2 | Bolt-Carriage |
| 4 | 3296-23 | 20 | Nut-Lock, NI | 30 | 100-1472 | 2 | Chain-Cradle, Roller |
| 13 | 100-7678-01 | 4 | Plate-Skid | 30:1 | 2710-16 | 1 | Link-Chain |
| 14 | 3231-25 | 8 | Bolt-CARR | 31 | 340-14 | 4 | Fitting-HYD, 45 DEG |
| 15 | 3256-25 | 8 | Washer-Flat | 31:1 | 237-65 | 1 | O-Ring |
| 16 | 3296-39 | 8 | Nut-Lock, NI | 31:2 | 237-80 | 1 | O-Ring |
| 17 | 106-9694 | 1 | Handle-Control | 32 | 340-103 | 2 | Fitting-HYD, 45 DEG |
| 17:1 | 106-9696 | 1 | Switch-Rocker | 32:1 | 237-78 | 1 | O-Ring |
| 17:2 | 106-9697 | 1 | Handle | 32:2 | 237-21 | 1 | O-Ring |
| 17:3 | 106-9695 | 1 | Harness-Wire, Switch | 33 | 100-1452-03 | 2 | Cover-Cradle, Top |
| 18 | 121-6441 | 1 | Pump-Charge | 35 | 3234-1 | 2 | Screw-HHF |
| 19 | 325-5 | 2 | Screw-HH | 36 | 71-5320 | 2 | Washer-Support, Engine |
| 20 | 3296-45 | 2 | Nut-Lock, NI | 37 | 3253-4 | 2 | Washer-Lock |
| 21 | 3256-6 | 4 | Washer-Flat | 38 | 322-3 | 2 | Screw-HH |
| 22 | 99-0008 | 1 | Harness-Wire, Trailer | 40 | 106-9690 | 4 | Tire And Wheel ASM |
| 22:1 | 100-4918 | 1 | Diode-Over Molded | 40:1 | 106-9691 | 1 | Tire-4-Ply |



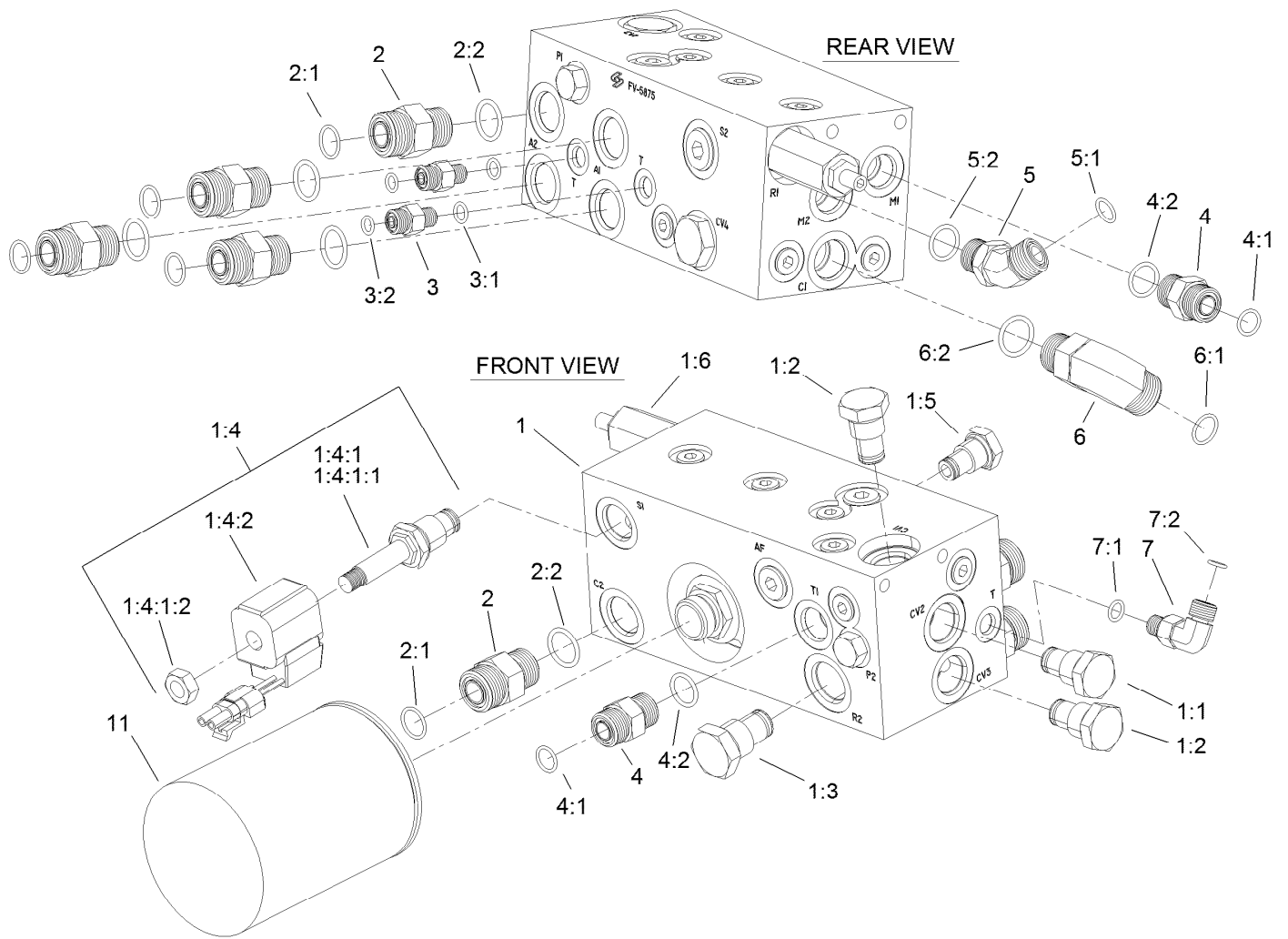
Cradle and Trailer Assembly (continued)

| <i>Ref.</i> | <i>Part Number</i> | <i>Qty.</i> | <i>Description</i> | <i>Ref.</i> | <i>Part Number</i> | <i>Qty.</i> | <i>Description</i> |
|-------------|--------------------|-------------|--------------------|-------------|--------------------|-------------|--------------------|
| 40:2 | 99-0174 | 1 | Rim | 54:1 | 3290-343 | 1 | Pin-Hair |
| 40:3 | 232-27 | 1 | Stem-Valve | 55 | 327-12 | 2 | Screw-HH |
| 41 | 71-4450 | 20 | Bolt-Lug | 56 | 3256-7 | 4 | Washer-Flat |
| 52 | 100-7686 | 1 | Tongue ASM | 57 | 3296-53 | 2 | Nut-Lock, NI |
| 52:2 | 100-7679 | 1 | Decal-Warning | 58 | 100-7694 | 2 | Pin-Clevis |
| 53 | 47-3550-01 | 1 | Clevis-Hitch | 59 | 92-1298 | 4 | Pin-Lynch |
| 54 | 13-6200 | 1 | Pin-Hitch, Pointed | 61 | 58-6520 | 8 | Decal-Grease |



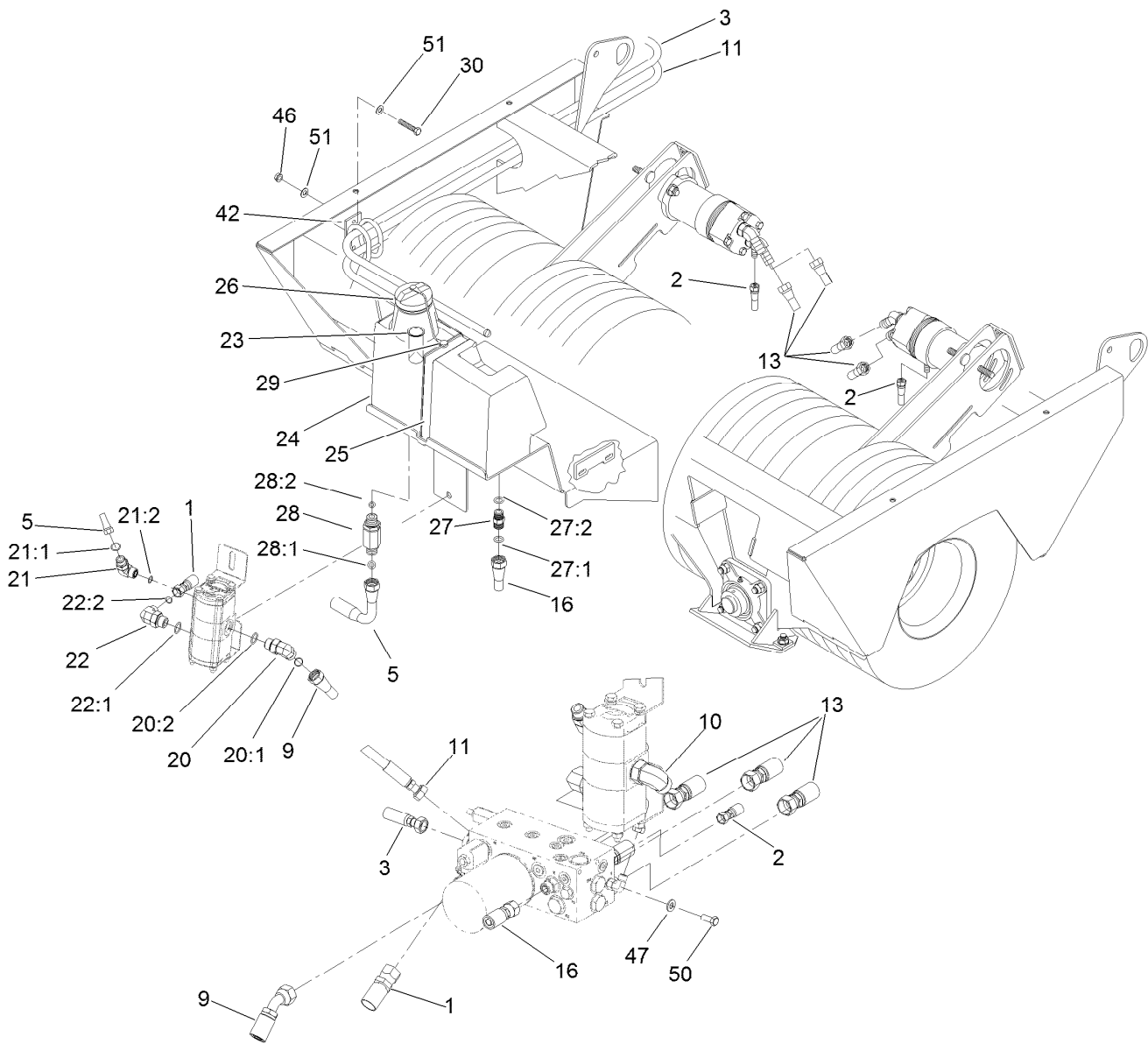
Hydraulic Motor Assembly No. 100-1459

| <i>Ref.</i> | <i>Part Number</i> | <i>Qty.</i> | <i>Description</i> |
|-------------|--------------------|-------------|--------------------|
| 1 | 100-1466 | 1 | Seal Kit |
| 17 | 5-7280 | 1 | Key |



Hydraulic Manifold Assembly

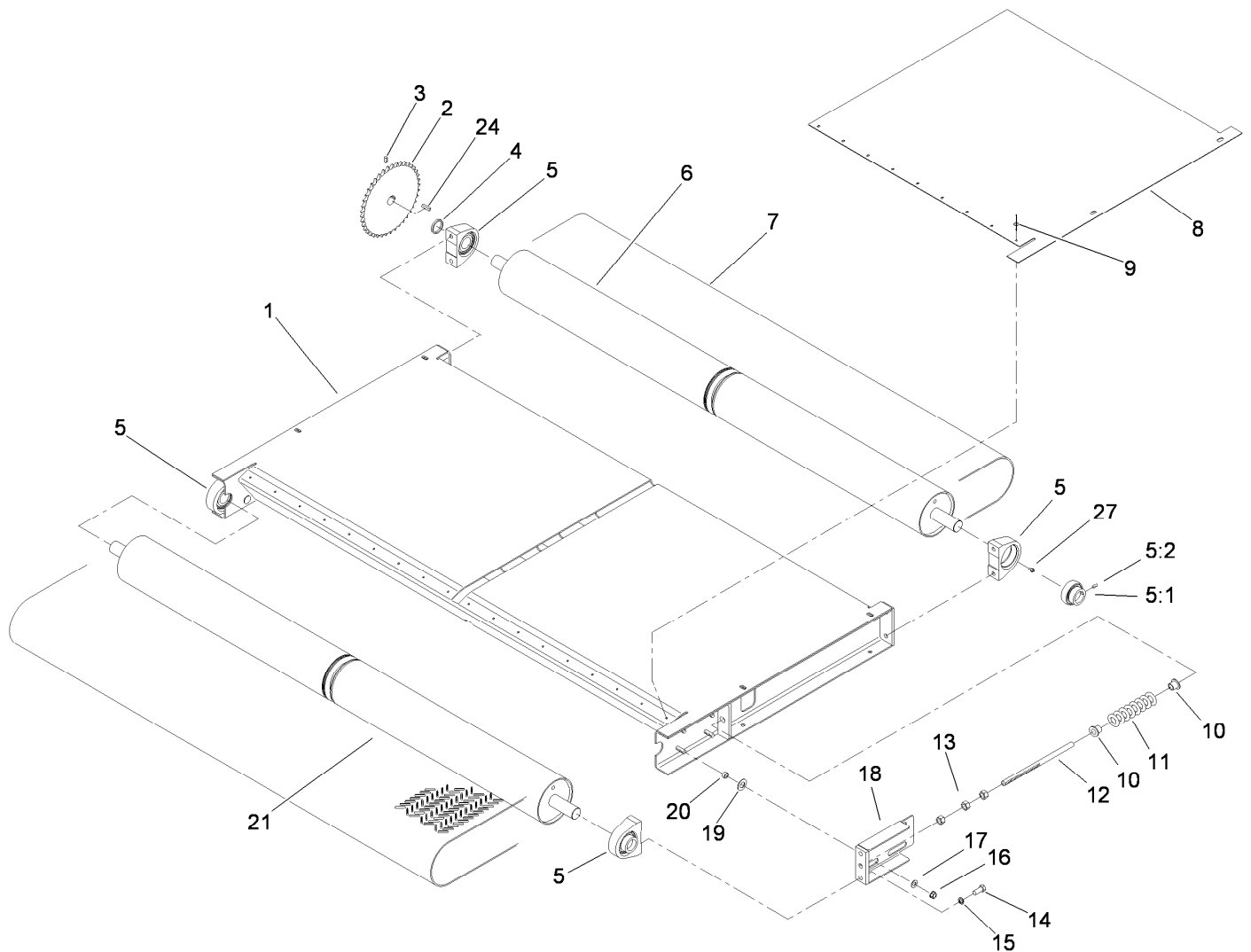
| Ref. | Part Number | Qty. | Description | Ref. | Part Number | Qty. | Description |
|---------|-------------|------|-----------------------|------|-------------|------|-----------------------|
| 1 | 106-9667 | 1 | HYD Manifold ASM | 3:2 | 237-21 | 1 | O-Ring |
| 1:1 | 100-7723 | 1 | Valve-Check | 4 | 340-4 | 2 | Fitting-HYD, Straight |
| 1:2 | 106-9669 | 2 | Valve-Check | 4:1 | 237-30 | 1 | O-Ring |
| 1:3 | 106-9670 | 1 | Valve-Check | 4:2 | 237-79 | 1 | O-Ring |
| 1:4 | 100-7699 | 1 | Solenoid Valve ASM | 5 | 340-101 | 1 | Fitting-HYD, 45 DEG |
| 1:4:1 | 100-7718 | 1 | Valve-Solenoid | 5:1 | 237-30 | 1 | O-Ring |
| 1:4:1:1 | 95-1237 | 1 | Seal Kit | 5:2 | 237-79 | 1 | O-Ring |
| 1:4:1:2 | 121-6403 | 1 | Nut-Solenoid Valve | 6 | 340-17 | 1 | Fitting-HYD, 90 DEG |
| 1:4:2 | 100-7720 | 1 | Coil-Solenoid | 6:1 | 237-65 | 1 | O-Ring |
| 1:5 | 106-9668 | 1 | Valve-Check | 6:2 | 237-80 | 1 | O-Ring |
| 1:6 | 100-7740 | 1 | Valve-Relief | 7 | 340-132 | 1 | Fitting-HYD, 90 DEG |
| 2 | 340-7 | 5 | Adapter | 7:1 | 237-78 | 1 | O-Ring |
| 2:1 | 237-65 | 1 | O-Ring | 7:2 | 237-21 | 1 | O-Ring |
| 2:2 | 237-80 | 1 | O-Ring | 11 | 86-3010 | 1 | Filter-Oil |
| 3 | 340-92 | 2 | Fitting-HYD, Straight | | | | |
| 3:1 | 237-78 | 1 | O-Ring | | | | |



Hydraulic Installation Assembly

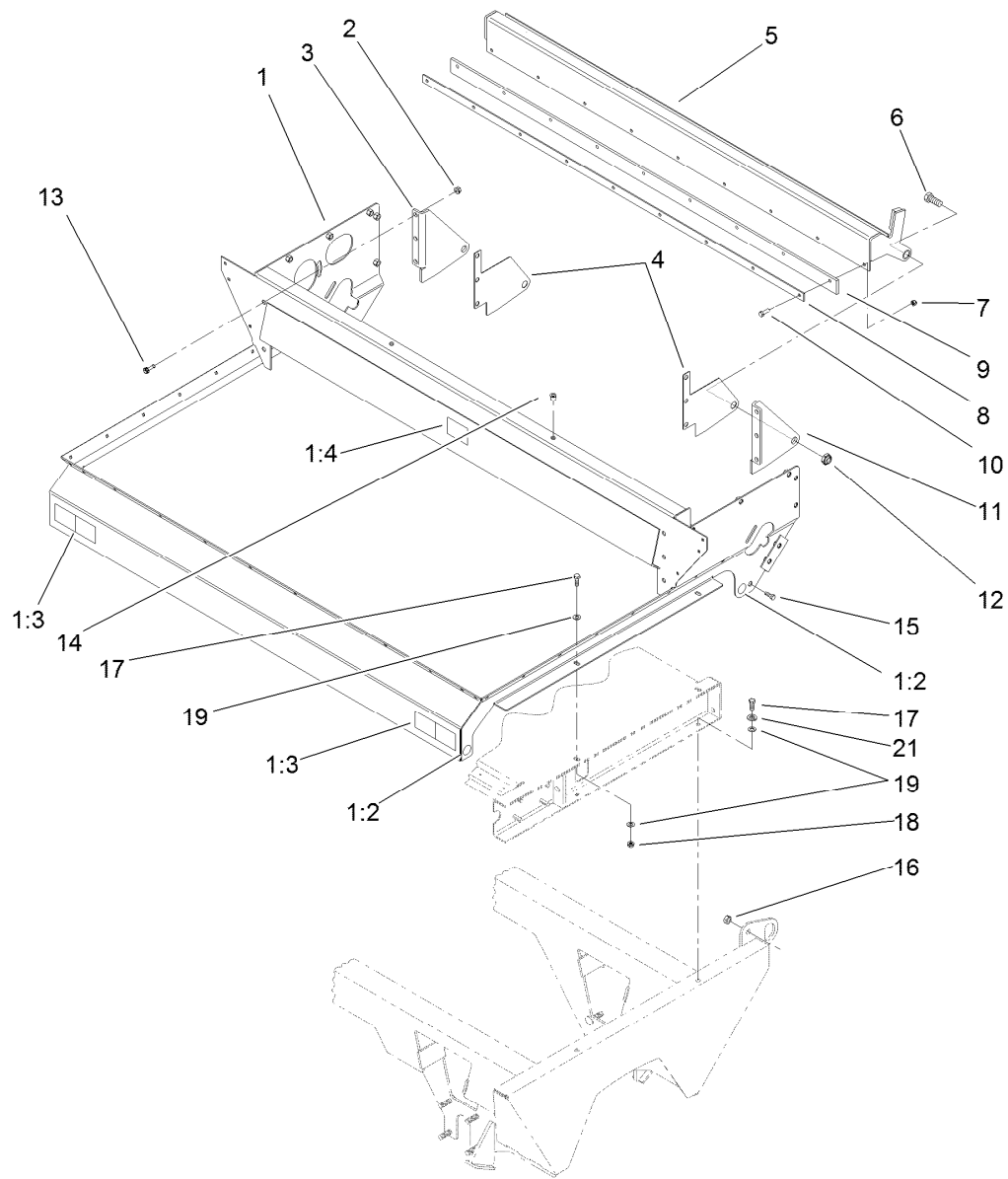
| Ref. | Part Number | Qty. | Description | Ref. | Part Number | Qty. | Description |
|------|-------------|------|---------------------|------|-------------|------|--|
| 1 | 105-0639 | 1 | HYD Hose ASM | 24 | 133-5499 | 1 | Tank-Hydraulic |
| 2 | 106-9674 | 2 | Hose-HYD | 25 | 100-7693 | 1 | Clamp-Tank |
| 3 | 104-0304 | 1 | HYD Hose ASM | 26 | 93-7160 | 1 | Cap-Oil, HYD |
| 5 | 100-7657 | 1 | HYD Hose ASM | 27 | 340-4 | 1 | Fitting-HYD, Straight |
| 9 | 106-9675 | 1 | HYD Hose ASM | 27:1 | 237-30 | 1 | O-Ring |
| 10 | 106-9677 | 1 | HYD Hose ASM | 27:2 | 237-79 | 1 | O-Ring |
| 11 | 104-0303 | 1 | HYD Hose ASM | 28 | 340-7 | 1 | Adapter |
| 13 | 106-9678 | 4 | HYD Hose ASM | 28:1 | 237-65 | 1 | O-Ring |
| 16 | 106-9676 | 1 | HYD Hose ASM | 28:2 | 237-80 | 1 | O-Ring |
| 20 | 340-142 | 1 | Fitting-HYD, 90 DEG | 29 | 32105-23 | 1 | Screw |
| 20:1 | 237-58 | 1 | O-Ring | 30 | 322-5 | 2 | Screw-HH |
| 20:2 | 237-81 | 1 | O-Ring | 42 | 99-5621 | 1 | Guide-Hose |
| 21 | 340-17 | 1 | Fitting-HYD, 90 DEG | 46 | 3296-29 | 2 | Nut-Lock, NI |
| 21:1 | 237-65 | 1 | O-Ring | 47 | 3256-24 | 4 | Washer-Flat |
| 21:2 | 237-80 | 1 | O-Ring | 50 | 323-5 | 4 | Screw-HH |
| 22 | 340-139 | 1 | Fitting-HYD, 90 DEG | 51 | 3256-23 | 4 | Washer-Flat |
| 22:1 | 237-81 | 1 | O-Ring | 99 | 100-7674 | 1 | Premium Bio-Degradable HYD Fluid Pail ● |
| 22:2 | 237-65 | 1 | O-Ring | | | | |
| 23 | 92-1705 | 1 | Filter-Screen | | | | |

● Not illustrated



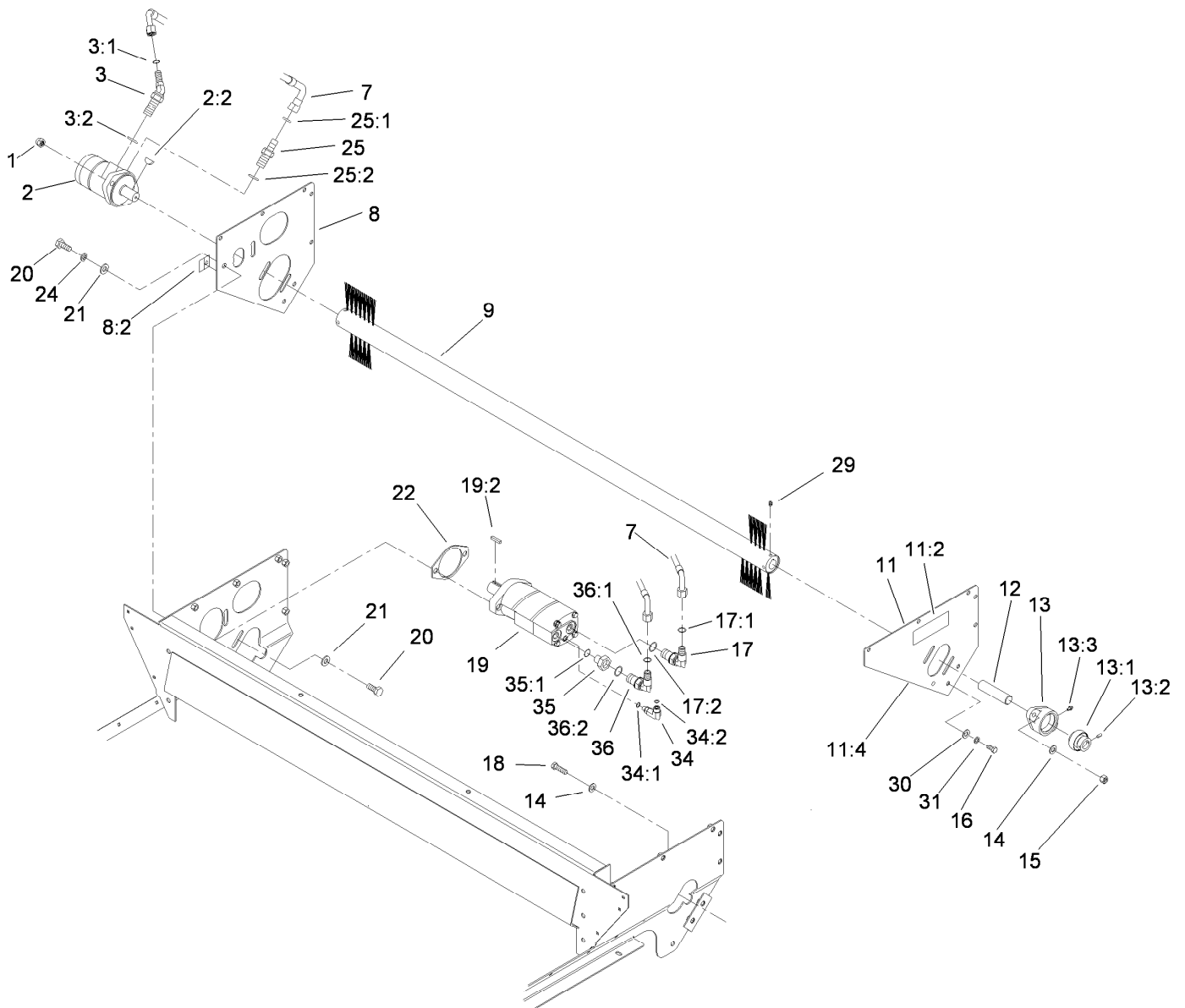
Slider Bed and Roller Assembly

| Ref. | Part Number | Qty. | Description | Ref. | Part Number | Qty. | Description |
|------|-------------|------|----------------------|------|-------------|------|-------------------------|
| 1 | 99-0038-01 | 1 | Frame-Bed, Slider | 12 | 99-0118 | 2 | Pin-Spring |
| 2 | 99-0166-03 | 1 | Sprocket-Driven | 13 | 3217-9 | 6 | Nut-HH |
| 3 | 3246-3 | 2 | Screw-HSH | 14 | 100-1438 | 8 | Screw-Socket Head, Torx |
| 4 | 99-0017 | 1 | Spacer-Sprocket | 15 | 3253-6 | 8 | Washer-Lock |
| 5 | 99-0158 | 4 | Bearing-Base, Tapped | 16 | 3296-39 | 8 | Nut-Lock, NI |
| 5:1 | 251-246 | 1 | Collar W/Set Screws | 17 | 3256-4 | 8 | Washer-Flat |
| 5:2 | 106-9662 | 1 | Screw-Set, HSH | 18 | 99-0050-01 | 2 | Spring Plate ASM |
| 6 | 99-0046 | 1 | Roller-Rear | 19 | 99-0052 | 8 | Washer-Slide |
| 7 | 100-1425 | 1 | Belt Kit | 20 | 100-1401 | 8 | Spacer-Slide, Spring |
| 8 | 99-0047 | 2 | Plate-Wear | 21 | 99-0044 | 1 | Roller-Front |
| 9 | 3269-28 | 18 | Rivet-Pop | 24 | 10-7070 | 1 | Key-Square |
| 10 | 100-1414 | 4 | Holder-Spring | 27 | 302-60 | 4 | Fitting-Grease |
| 11 | 99-0163 | 2 | Spring-Compression | | | | |



Gate Assembly

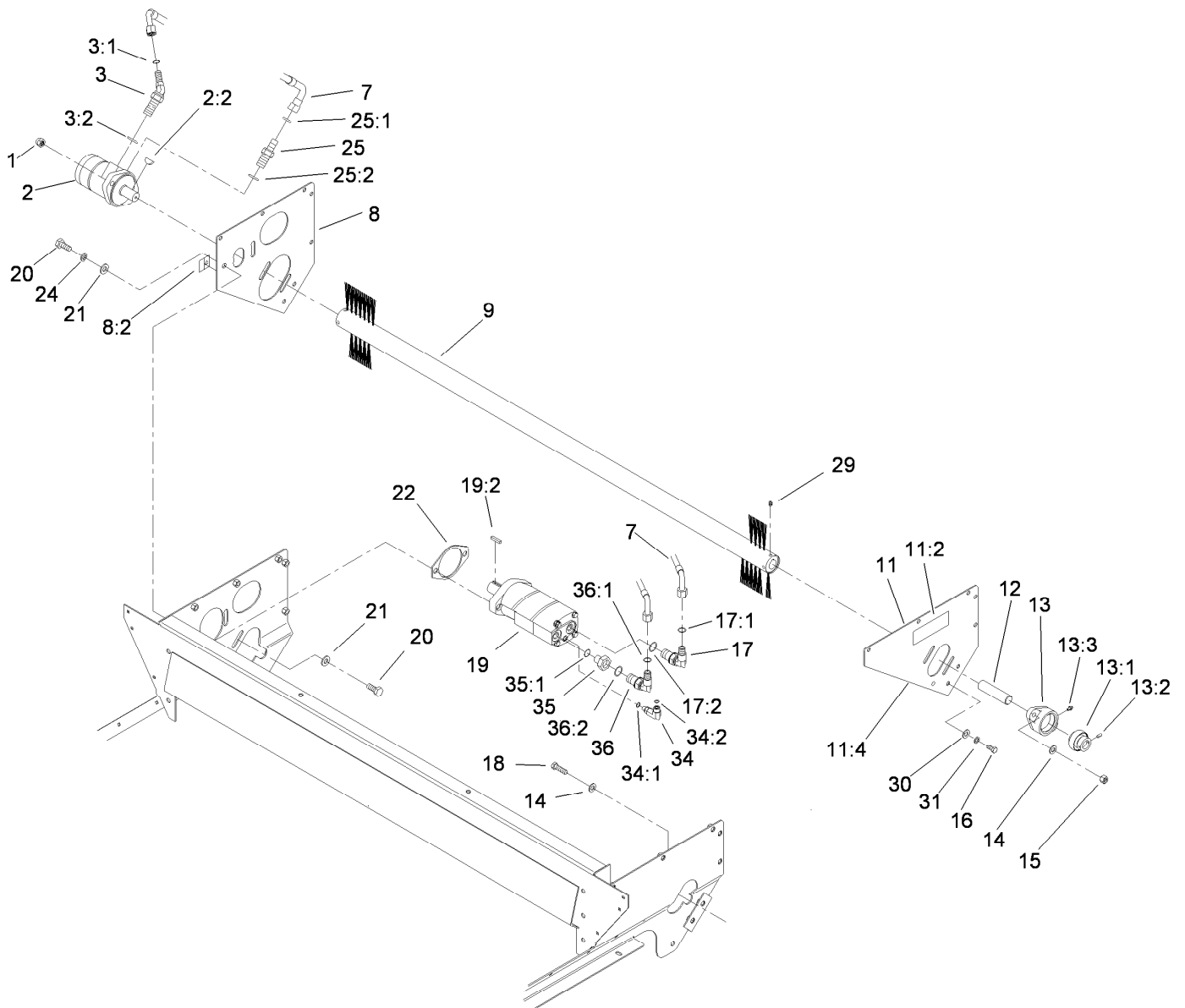
| <i>Ref.</i> | <i>Part Number</i> | <i>Qty.</i> | <i>Description</i> | <i>Ref.</i> | <i>Part Number</i> | <i>Qty.</i> | <i>Description</i> |
|-------------|--------------------|-------------|------------------------|-------------|--------------------|-------------|------------------------|
| 1 | 100-1435 | 1 | Hopper Frame ASM | 10 | 322-6 | 9 | Screw-HH |
| 1:2 | 58-6520 | 4 | Decal-Grease | 11 | 99-0078-01 | 1 | Bracket-Gate Pivot, LH |
| 1:3 | 93-9092 | 2 | Decal-Warning | 12 | 3296-51 | 2 | Nut-Lock, NI |
| 1:4 | 105-4586 | 1 | Decal-Shield | 13 | 324-4 | 6 | Screw-HH |
| 2 | 32128-37 | 6 | Nut-HF | 14 | 32148-9 | 2 | Insert-Nut |
| 3 | 99-0079-01 | 1 | Bracket-Gate Pivot, RH | 15 | 3234-38 | 2 | Screw-HHF |
| 4 | 99-0117 | 2 | Wareplate-Gate | 16 | 99-5107 | 2 | Nut-Lock |
| 5 | 99-0068-01 | 1 | Gate ASM | 17 | 323-7 | 8 | Screw-HH |
| 6 | 328-24 | 2 | Screw-HH | 18 | 3296-39 | 4 | Nut-Lock, NI |
| 7 | 3296-29 | 9 | Nut-Lock, NI | 19 | 3256-24 | 12 | Washer-Flat |
| 8 | 99-0089-01 | 1 | Plate-Backing | 21 | 3253-21 | 4 | Washer-Lock |
| 9 | 99-0074 | 1 | Seal-Gate | | | | |



Brush and Motor Assembly

| Ref. | Part Number | Qty. | Description | Ref. | Part Number | Qty. | Description |
|------|-------------|------|---------------------|------|-------------|------|------------------------|
| 1 | 3296-23 | 2 | Nut-Lock, NI | 13:3 | 302-2 | 1 | Fitting-Grease |
| 2 | 99-0156 | 1 | HYD Motor ASM | 14 | 3256-25 | 4 | Washer-Flat |
| 2:1 | 100-1446 | 1 | Seal Kit ● | 15 | 3296-48 | 2 | Nut-Lock, NI |
| 2:2 | 3257-8 | 1 | Key-Woodruff | 16 | 323-4 | 4 | Screw-HH |
| 3 | 340-89 | 1 | Fitting-HYD, 45 DEG | 17 | 340-105 | 1 | Fitting-HYD, 90 DEG |
| 3:1 | 237-30 | 1 | O-Ring | 17:1 | 237-80 | 1 | O-Ring |
| 3:2 | 237-80 | 1 | O-Ring | 17:2 | 237-30 | 1 | O-Ring |
| 7 | 99-0177 | 1 | Hose-HYD | 18 | 324-6 | 2 | Screw-HH |
| 8 | 100-1431 | 1 | RH Motor Brace ASM | 19 | 99-0155 | 1 | HYD Motor Conveyor ASM |
| 8:2 | 105-4586 | 1 | Decal-Shield | 19:1 | 56-6890 | 1 | Seal Kit ● |
| 9 | 99-0162 | 1 | Brush | 19:2 | 10-7070 | 1 | Key-Square |
| 11 | 100-1430 | 1 | LH Motor Brace ASM | 20 | 325-7 | 4 | Screw-HH |
| 11:2 | 106-7750 | 1 | Decal-Danger | 21 | 3256-26 | 4 | Washer-Flat |
| 11:4 | 58-6520 | 1 | Decal-Grease | 22 | 99-0116 | 1 | Plate-Spacer |
| 12 | 99-0041 | 1 | Shaft-Brush | 24 | 3253-7 | 2 | Washer-Lock |
| 13 | 99-0160 | 1 | Bearing | 25 | 340-6 | 1 | Fitting-HYD, Straight |
| 13:1 | 251-249 | 1 | Collar W/Set Screws | 25:1 | 237-30 | 1 | O-Ring |
| 13:2 | 3245-35 | 1 | Screw-Set, HSH | 25:2 | 237-80 | 1 | O-Ring |

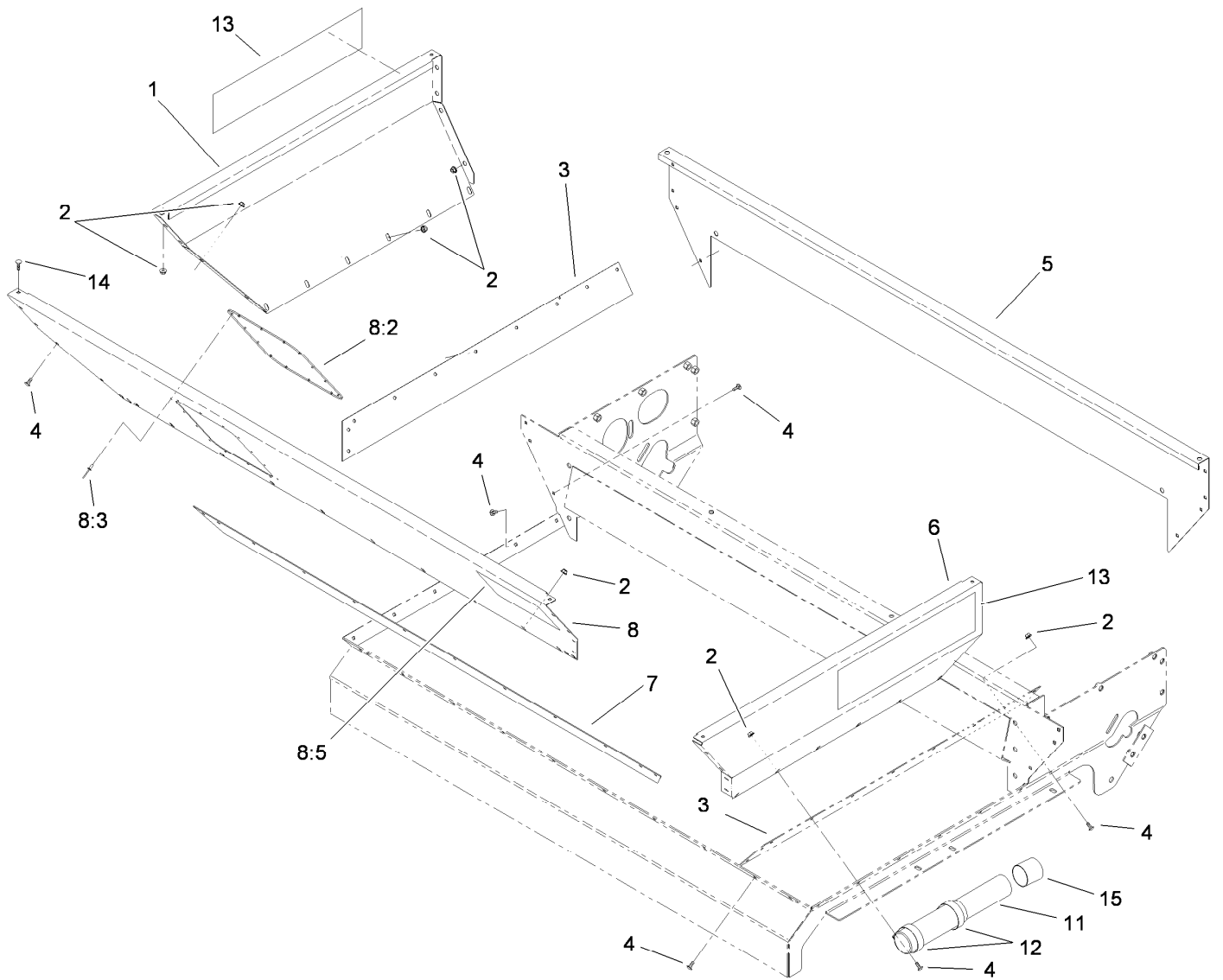
● Not illustrated



Brush and Motor Assembly (continued)

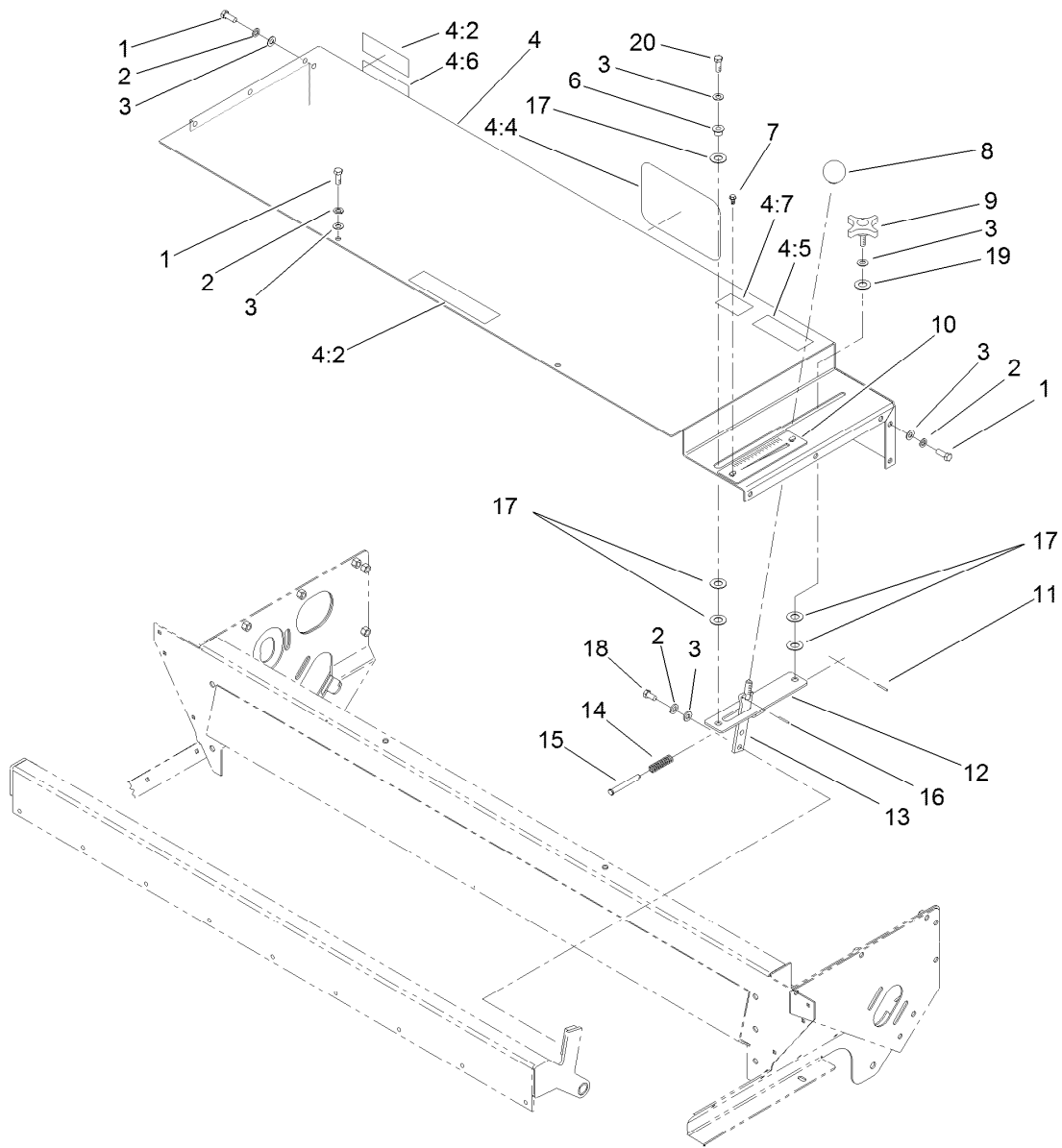
| Ref. | Part Number | Qty. | Description | Ref. | Part Number | Qty. | Description |
|------|-------------|------|-------------|------|-------------|------|-----------------------|
| 29 | 3246-3 | 4 | Screw-HSH | 35 | 100-4617 | 1 | Adapter-HYD |
| 30 | 3256-24 | 4 | Washer-Flat | 35:1 | 237-80 | 1 | O-Ring |
| 31 | 3253-21 | 4 | Washer-Lock | 36 | 99-6160 | 1 | Fitting-Elbow, 90 DEG |
| 34 | 100-7695 | 1 | Adapter-HYD | 36:1 | 237-30 | 1 | O-Ring |
| 34:1 | 237-78 | 1 | O-Ring | 36:2 | 237-79 | 1 | O-Ring |
| 34:2 | 237-21 | 1 | O-Ring | 99 | 3290-379 | 6 | Tie-Cable ● |

● Not illustrated



Hopper Assembly

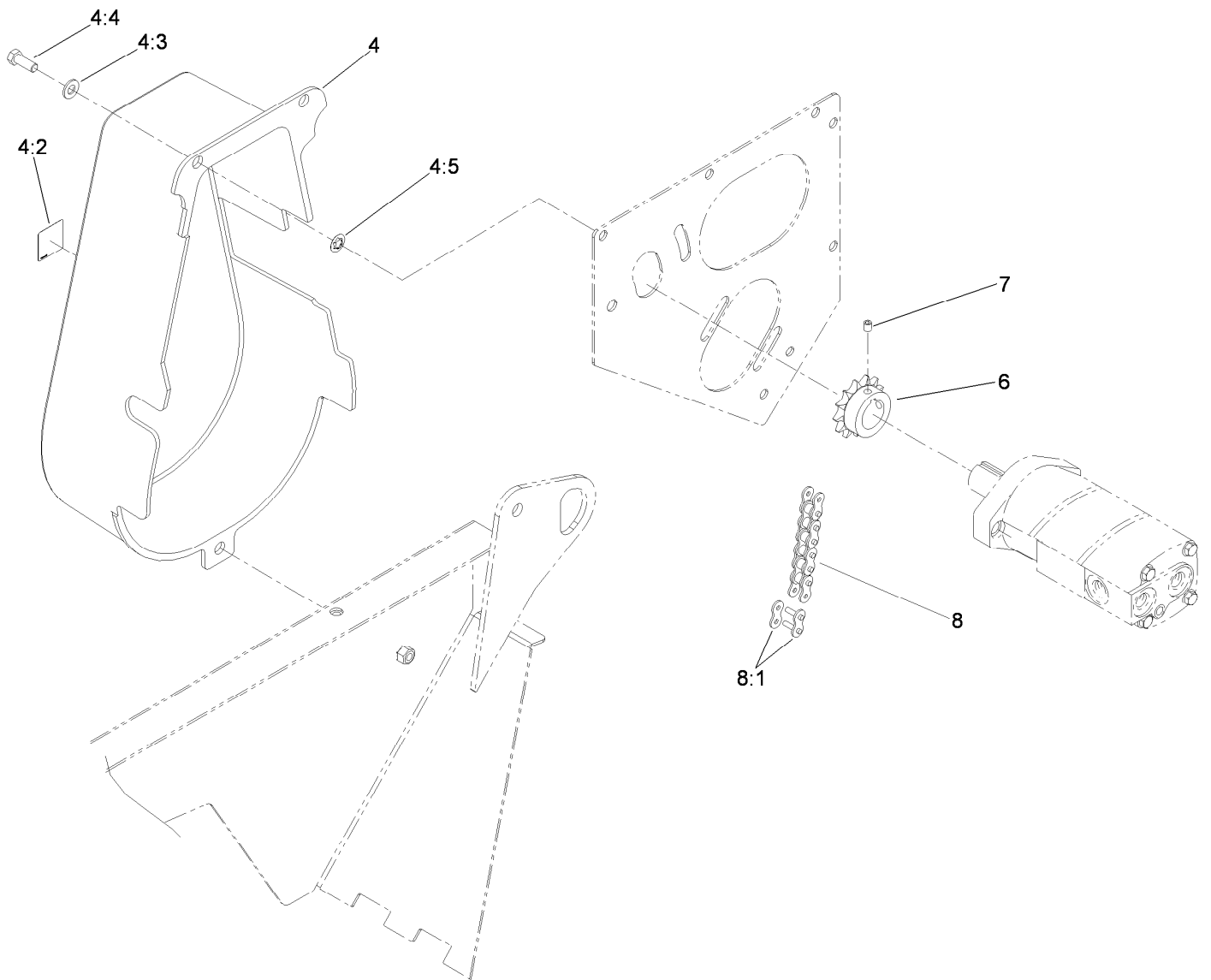
| <i>Ref.</i> | <i>Part Number</i> | <i>Qty.</i> | <i>Description</i> | <i>Ref.</i> | <i>Part Number</i> | <i>Qty.</i> | <i>Description</i> |
|-------------|--------------------|-------------|------------------------|-------------|--------------------|-------------|--------------------|
| 1 | 99-0123 | 1 | Panel-Hopper, RH | 8:2 | 99-0120 | 1 | Hopper-Window |
| 2 | 32128-33 | 48 | Nut-HF | 8:3 | 3269-28 | 14 | Rivet-Pop |
| 3 | 99-0142 | 2 | Seal-Sand, Side | 8:5 | 99-0016 | 1 | Decal-Danger |
| 4 | 3229-25 | 44 | Screw-CARR | 11 | 104-7050 | 1 | Tube-Manual |
| 5 | 99-0121 | 1 | Panel-Hopper, Back | 12 | 2412-133 | 2 | R-Clamp |
| 6 | 99-0124 | 1 | Panel-Hopper, LH | 13 | 99-0012 | 2 | Decal |
| 7 | 99-0143 | 1 | Seal-Sand, Front | 14 | 321-4 | 4 | Screw-HH |
| 8 | 100-1465 | 1 | Front Hopper Panel ASM | 15 | 104-7048 | 1 | Cap-Housing |



Gate Slide and Brush Guard Assembly

| Ref. | Part Number | Qty. | Description |
|------|-------------|------|-----------------|
| 1 | 323-7 | 10 | Screw-HH |
| 2 | 3253-21 | 12 | Washer-Lock |
| 3 | 3256-24 | 14 | Washer-Flat |
| 4 | 100-1432 | 1 | Brush Guard ASM |
| 4:2 | 106-7750 | 2 | Decal-Danger |
| 4:4 | 92-1242 | 1 | Decal |
| 4:5 | 105-0707 | 1 | Decal-Warning |
| 4:6 | 105-0708 | 1 | Decal-Danger |
| 4:7 | 98-3114 | 1 | Decal-Warning |
| 6 | 256-259 | 1 | Bushing-Flange |
| 7 | 93-6083 | 2 | Screw-HWH |
| 8 | 233-48 | 1 | Knob |

| Ref. | Part Number | Qty. | Description |
|------|-------------|------|-----------------------|
| 9 | 100-1449 | 1 | Knob |
| 10 | 100-1416 | 1 | Scale-Gate |
| 11 | 32121-45 | 1 | Pin-Spring |
| 12 | 99-0073-03 | 1 | Slide Block Plate ASM |
| 13 | 100-1406-03 | 1 | Gate Handle ASM |
| 14 | 100-1448 | 1 | Spring-Gate |
| 15 | 100-1413 | 1 | Pin-Clevis |
| 16 | 32121-40 | 1 | Pin-Spring |
| 17 | 99-0052 | 5 | Washer-Slide |
| 18 | 323-4 | 2 | Screw-HH |
| 19 | 95-4896 | 1 | Washer-Nylon |
| 20 | 3274-63 | 1 | Screw-HSBH |



Chain, Sprocket and Guard Assembly

| <i>Ref.</i> | <i>Part Number</i> | <i>Qty.</i> | <i>Description</i> |
|-------------|--------------------|-------------|--------------------|
| 4 | 119-2860 | 1 | Chain Guard ASM |
| 4:2 | 98-3114 | 1 | Decal-Warning |
| 4:3 | 3256-24 | 3 | Washer-Flat |
| 4:4 | 323-7 | 3 | Screw-HH |
| 4:5 | 107-3154 | 3 | Nut-Push |
| 6 | 99-0165-03 | 1 | Sprocket-Drive |
| 7 | 3246-3 | 2 | Screw-HSH |
| 8 | 99-0164 | 1 | Chain-Roller |
| 8:1 | 2710-16 | 1 | Link-Chain |

Notes:

Notes:

Notes:



Count on it.