



Count on it.

Parts Catalog

Groundsmaster® 360
2-Wheel Drive Multi-Purpose Machine

Model No. 31230—Serial No. 40000000 and Up



Ordering Replacement Parts

To order replacement parts, please supply the part number, the quantity, and the description of each part desired.

Understanding Reference Numbers

Each identified part in an illustration has a reference number. The reference number for a part also appears in the parts list, along with other information about the part.

This catalog uses two special reference number formats, one to indicate parts in a service assembly and another to indicate the quantity of a given part in an illustration.

Service Assembly Reference Numbers

Parts in service assemblies have reference numbers in the form a:b. The a represents the reference number of the entire service assembly and the b represents a sequential number unique to each part within the service assembly.

For example, a wheel assembly might be identified by reference number 6, the tire by 6:1, the valve by 6:2, and the wheel by 6:3. When you order the assembly identified by reference number 6, you receive all parts identified by reference numbers 6:1, 6:2, and 6:3. However, you may also order any part individually. Reference numbers of this type appear in illustration and in parts lists.

Reference Numbers Indicating Quantity

In an illustration, if a reference number indicates more than one part, the reference number has the form nX y. The n represents the quantity of the part, the X is the multiplication symbol, and the y represents the reference number.

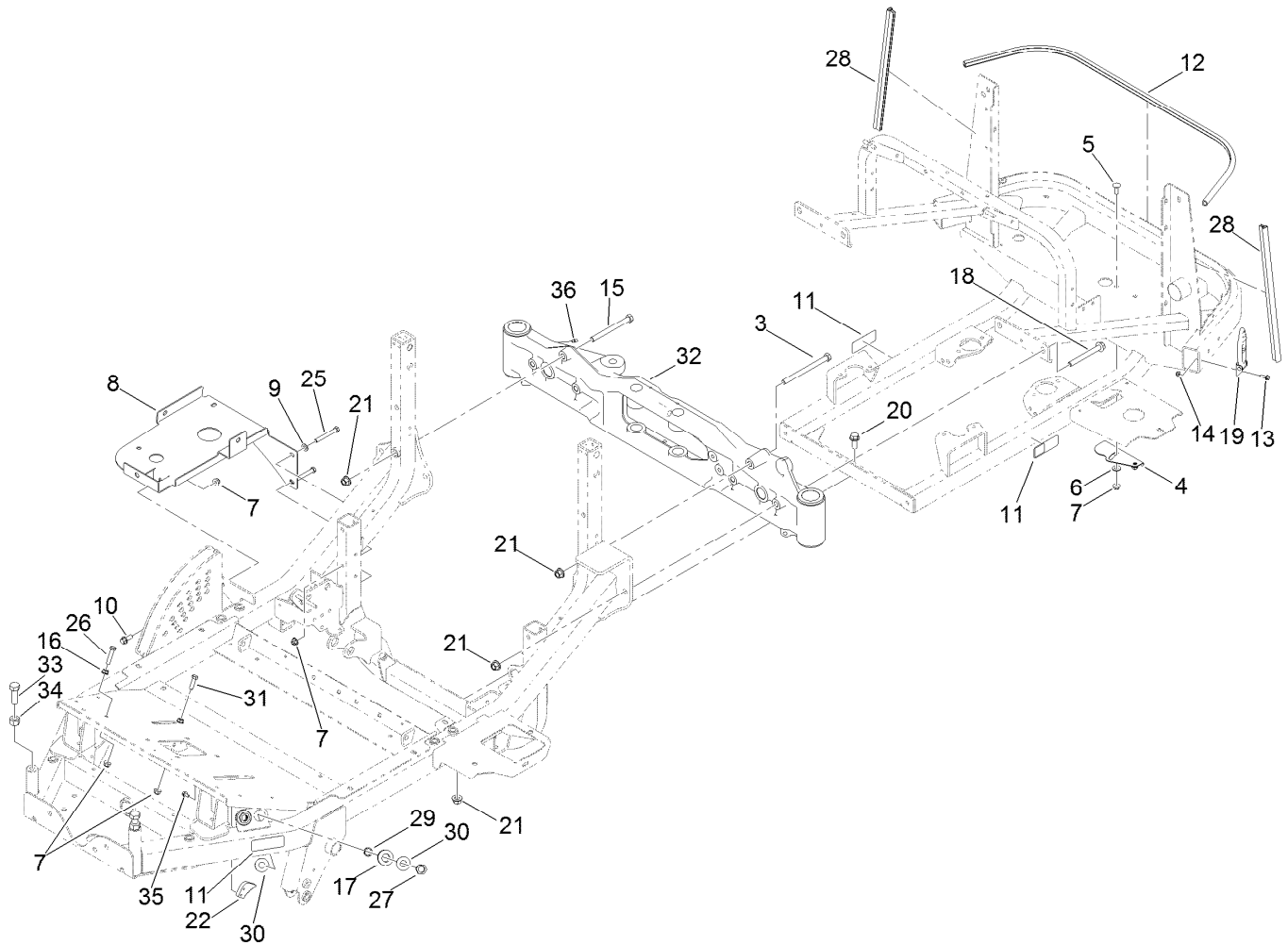
For example, in an illustration, the reference number 2X 37 means that two of the parts identified by reference number 37 are indicated.

Contents

| | |
|--|----|
| Frame and Rear Axle Assembly | 5 |
| Lift Shaft and Linkage Assembly | 6 |
| Hydraulic Cylinder Assembly No. 110-9834 | 7 |
| Platform and Roll-Over Protection System Assembly | 8 |
| 2 Wheel Drive Steering Assembly | 10 |
| Front Cover Assembly | 11 |
| Front Axle and Tie Rod Assembly | 12 |
| Front Axle Assembly No. 125-2825 | 14 |
| Hydraulic Cylinder Assembly No. 125-2835 | 15 |
| Rear Steering Assembly | 16 |
| Engine Component Assembly | 18 |
| Transmission Component Assembly | 19 |
| Charge Pump Housing Assembly Transmission Assembly No. 125-9290 | 20 |
| Center Section Assembly Transmission Assembly No. 125-9290 | 22 |
| Gear Case and Clutch Assembly Transmission Assembly No. 125-9290 | 24 |
| Driveshaft Assembly No. 110-3575 | 26 |
| Radiator Component Assembly | 27 |
| Radiator and Cooler Assembly | 28 |
| Muffler Assembly | 29 |
| Battery and Fuel Delivery Assembly | 30 |
| Air Cleaner Assembly | 31 |
| Fan Spacer and Thermostat Assembly | 32 |
| Steering Column Assembly | 33 |
| Steering Column Assembly No. 117-3371 | 34 |
| Steering Valve Assembly No. 130-7948 | 35 |
| Fuel Tank and Control Panel Component Assembly | 36 |
| Fuel Tank Assembly No. 120-0255 | 37 |
| Seat Plate Assembly | 38 |
| Module Control and Relay Assembly | 39 |
| Seat Assembly | 40 |
| Seat Assembly No. 107-2286 | 41 |
| Seat Platform Assembly | 42 |
| Brake Pedal Assembly | 43 |
| Wheel and Brake Assembly | 44 |
| Left Hand Brake Assembly No. 120-0235 | 45 |
| Right Hand Brake Assembly No. 120-0233 | 46 |
| Wheel Motor and Spindle Assembly | 47 |
| Hydraulic Motor Assembly No. 117-3284 (CCW) | 48 |
| Hydraulic Motor Assembly No. 117-3285 (CW) | 49 |
| Hood Assembly | 50 |
| Storage Compartment Assembly | 51 |
| Deck Lift Valve and Hydraulic Fitting Assembly | 52 |
| Hydraulic Gear Pump Assembly No. 115-0375 | 54 |
| Valve Assembly No. 131-1934 | 55 |
| Hydraulic Tube and Hose Assembly | 56 |
| Hydraulic Valve Assembly | 58 |
| Steering Selector Valve Assembly No. 115-0280 | 59 |
| 2 Wheel Drive Hydraulic Hose Assembly | 60 |
| Electrical Assembly | 61 |
| Neutral System Assembly | 62 |
| Traction Pedal Assembly | 64 |
| Crankcase Assembly | 66 |
| Oil Pan Assembly | 67 |
| Cylinder Head Assembly | 68 |

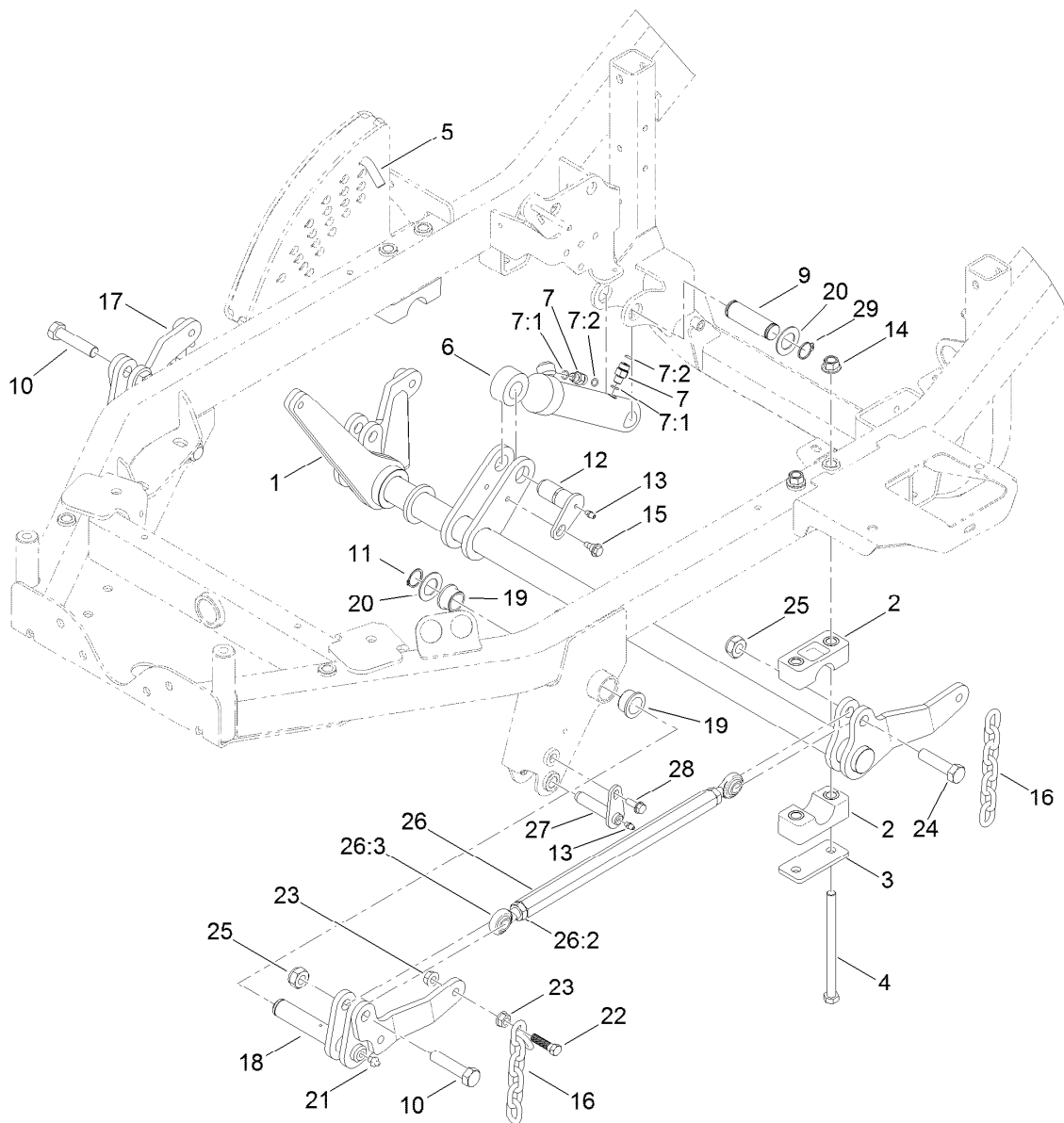
Contents (continued)

| | |
|---|----|
| Gear Case Assembly | 69 |
| Cylinder Head Cover Assembly | 70 |
| Dipstick and Guide Assembly | 71 |
| Main Bearing Case Assembly | 72 |
| Cam Shaft and Idle Gear Assembly | 73 |
| Piston and Crankshaft Assembly | 74 |
| Flywheel Assembly | 75 |
| Fuel Camshaft and Governor Shaft Assembly | 76 |
| Idle Apparatus Assembly | 77 |
| Injection Pump Assembly | 78 |
| Governor Assembly | 79 |
| Speed Control Plate Assembly | 80 |
| Nozzle Holder and Glow Plug Assembly | 81 |
| Nozzle Holder Component Assembly | 82 |
| Alternator and Pulley Assembly | 83 |
| Alternator Components | 84 |
| Starter Assembly | 85 |
| Starter (Component Part) Assembly | 86 |
| Water Flange Assembly | 87 |
| Water Pump Assembly | 88 |
| Valve and Rocker Arm Assembly | 89 |
| Intake and Exhaust Manifold Assembly | 90 |
| Muffler Gasket and Operator Manual | 91 |
| Attachments and Accessories | 92 |



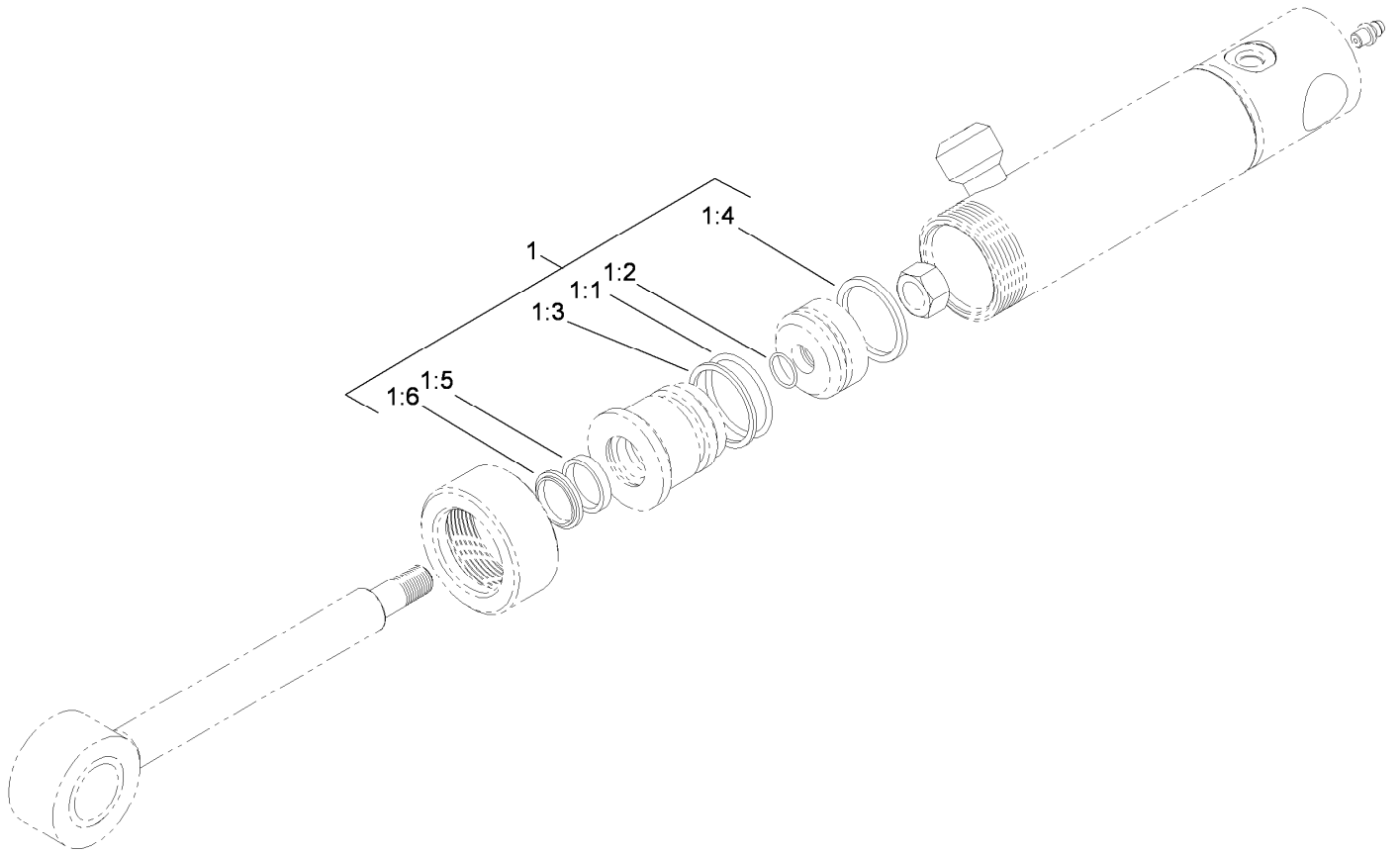
Frame and Rear Axle Assembly

| Ref. | Part Number | Qty. | Description | Ref. | Part Number | Qty. | Description |
|------|-------------|------|---------------------|------|-------------|------|----------------|
| 3 | 325-33 | 1 | Screw-HH | 19 | 103-2898 | 2 | Latch-Rubber |
| 4 | 117-3190 | 1 | Cover-Lower | 20 | 3234-38 | 3 | Screw-HHF |
| 5 | 3231-22 | 2 | Screw-CARR | 21 | 99-5107 | 9 | Nut-Lock |
| 6 | 66-2920 | 2 | Washer-Friction | 22 | 99-7214 | 1 | Pawl-Brake |
| 7 | 104-8301 | 7 | Nut-Flange, NI | 25 | 323-14 | 2 | Screw-HH |
| 8 | 117-3385-03 | 1 | Bracket-Tank, HYD | 26 | 323-53 | 1 | Screw-HH |
| 9 | 3256-24 | 2 | Washer-Flat | 27 | 340-70 | 2 | Nut-Lock |
| 10 | 3234-24 | 1 | Screw-HHF | 28 | 107-2269 | 2 | Seal-Bulb |
| 11 | 106-9206 | 4 | Decal-Torque, Wheel | 29 | 69-8970 | 2 | Spacer |
| 12 | 117-3311 | 1 | Seal-Bulb | 30 | 69-8940 | 4 | Washer |
| 13 | 3234-4 | 2 | Screw-HHF | 31 | 323-7 | 1 | Screw-HH |
| 14 | 104-7201 | 2 | Nut-Flange, NI | 32 | 131-1931 | 1 | Rear Axle ASM |
| 15 | 325-22 | 1 | Screw-HH | 33 | 327-6 | 2 | Screw-HH |
| 16 | 3290-357 | 2 | Nut-HHF, Whiz | 34 | 3217-11 | 2 | Nut-Hex |
| 17 | 240-4 | 2 | Grommet-Rubber | 35 | 3234-13 | 2 | Screw-HHF |
| 18 | 117-3176 | 4 | Screw-HHF | 36 | 302-5 | 2 | Fitting-Grease |



Lift Shaft and Linkage Assembly

| Ref. | Part Number | Qty. | Description | Ref. | Part Number | Qty. | Description |
|------|-------------|------|----------------------|------|-------------|------|---------------------|
| 1 | 115-0190-03 | 1 | Shaft-Lift | 16 | 119-1385 | 4 | Chain-HOC |
| 2 | 115-0491 | 4 | Cap-Bearing | 17 | 119-1380-03 | 1 | Lift-RH |
| 3 | 117-2903 | 2 | Plate-Bearing | 18 | 119-1383-03 | 1 | Lift-LH |
| 4 | 325-37 | 4 | Screw-HH | 19 | 114-5680 | 4 | Bushing-Flange |
| 5 | 112-9544 | 1 | Pin-HOC | 20 | 69-9010 | 4 | Washer |
| 6 | 110-9834 | 1 | HYD Cylinder ASM | 21 | 302-2 | 2 | Fitting-Grease |
| 7 | 340-92 | 2 | Fitting-Str | 22 | 103-1898 | 4 | Screw-HH |
| 7:1 | 237-78 | 1 | O-Ring | 23 | 32128-37 | 8 | Nut-HF |
| 7:2 | 237-21 | 1 | O-Ring | 24 | 327-7 | 2 | Screw-HH |
| 9 | 115-0183 | 1 | Shaft-Cylinder, Lift | 25 | 3296-61 | 4 | Nut-Lock |
| 10 | 327-8 | 2 | Screw-HH | 26 | 114-4059 | 2 | Link ASM |
| 11 | 32151-29 | 2 | Ring-Retaining | 26:2 | 3220-6 | 2 | Nut-Jam |
| 12 | 125-1910 | 1 | Pin-Pivot | 26:3 | 1-633029 | 2 | Balljoint-Spherical |
| 13 | 302-5 | 3 | Fitting-Grease | 27 | 112-1602 | 2 | Pin-Retainer |
| 14 | 99-5107 | 4 | Nut-Lock | 28 | 32144-41 | 2 | Screw-Taptite |
| 15 | 99-5105 | 1 | Bolt-Shoulder | 29 | 32151-36 | 2 | Ring-Retaining |

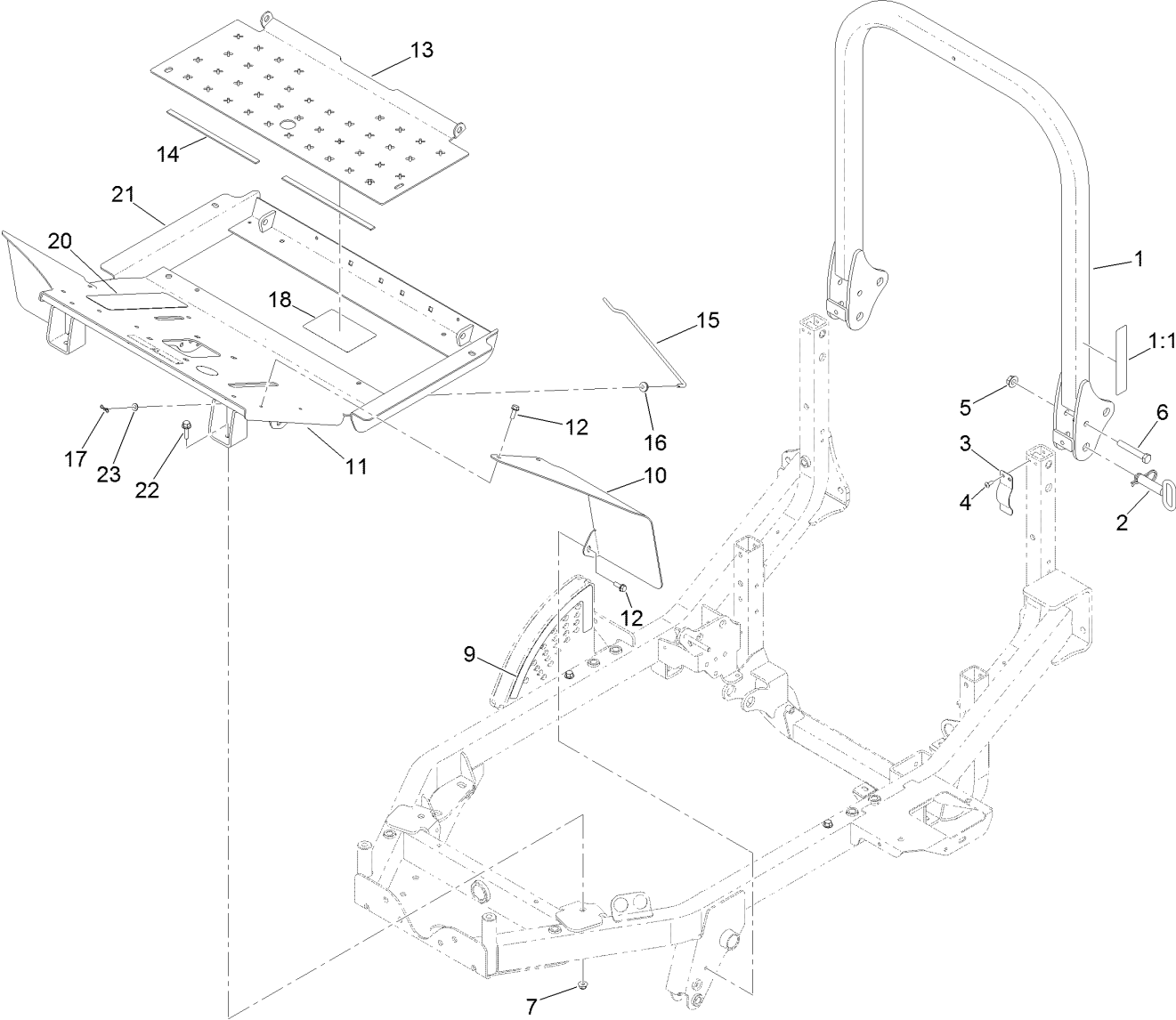


Hydraulic Cylinder Assembly No. 110-9834

| <i>Ref.</i> | <i>Part Number</i> | <i>Qty.</i> | <i>Description</i> |
|-------------|--------------------|-------------|--------------------|
| 1 | 112-6353 | 1 | Seal Kit |
| 1:1 | | 1 | O-Ring ● |
| 1:2 | | 1 | O-Ring ● |
| 1:3 | | 1 | Backup ● |
| 1:4 | | 1 | Seal-Bp ● |
| 1:5 | | 1 | Seal-Rod ● |
| 1:6 | | 1 | Seal-Dust ● |

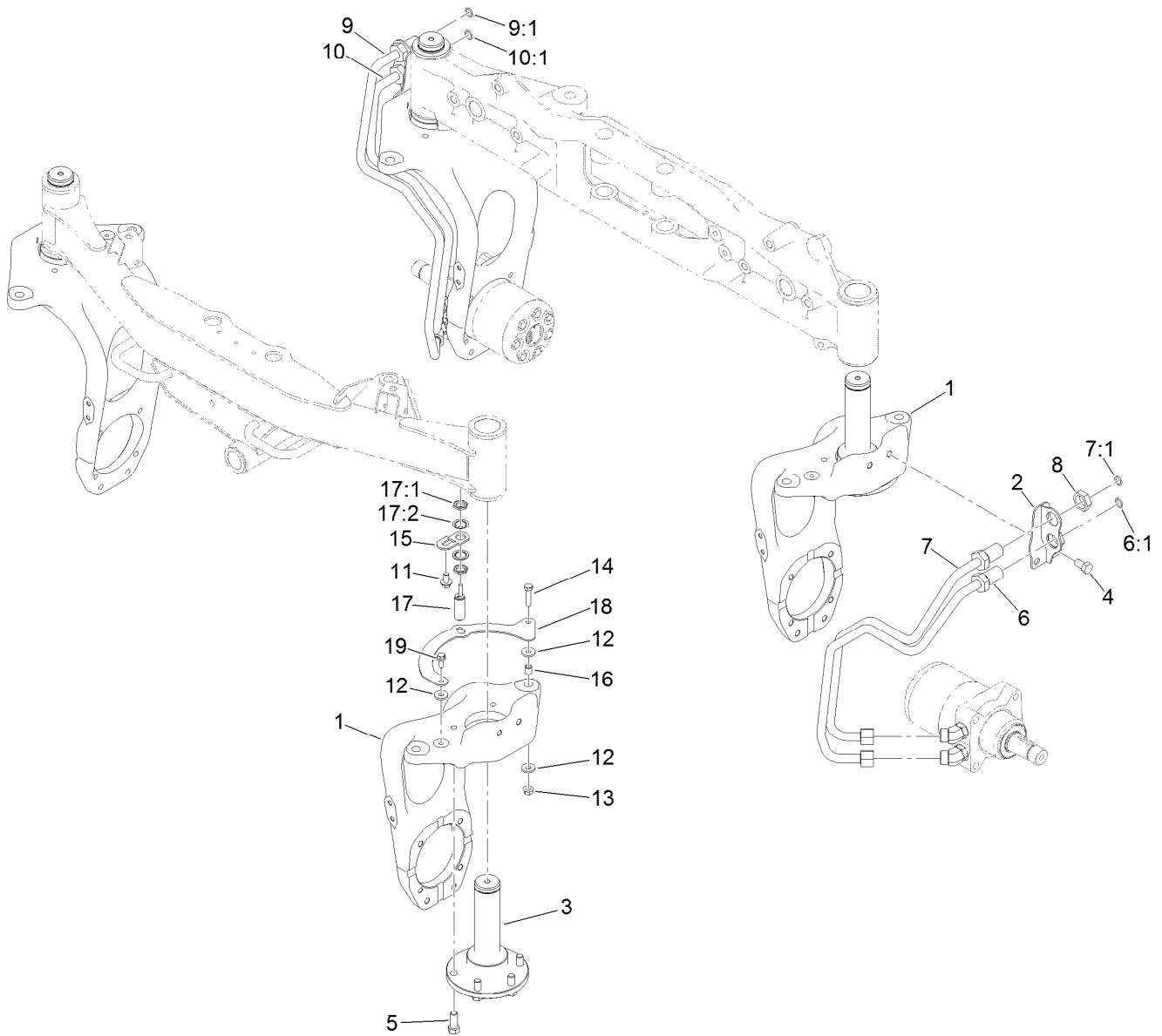
● Not serviced separately

Platform and Roll-Over Protection System Assembly



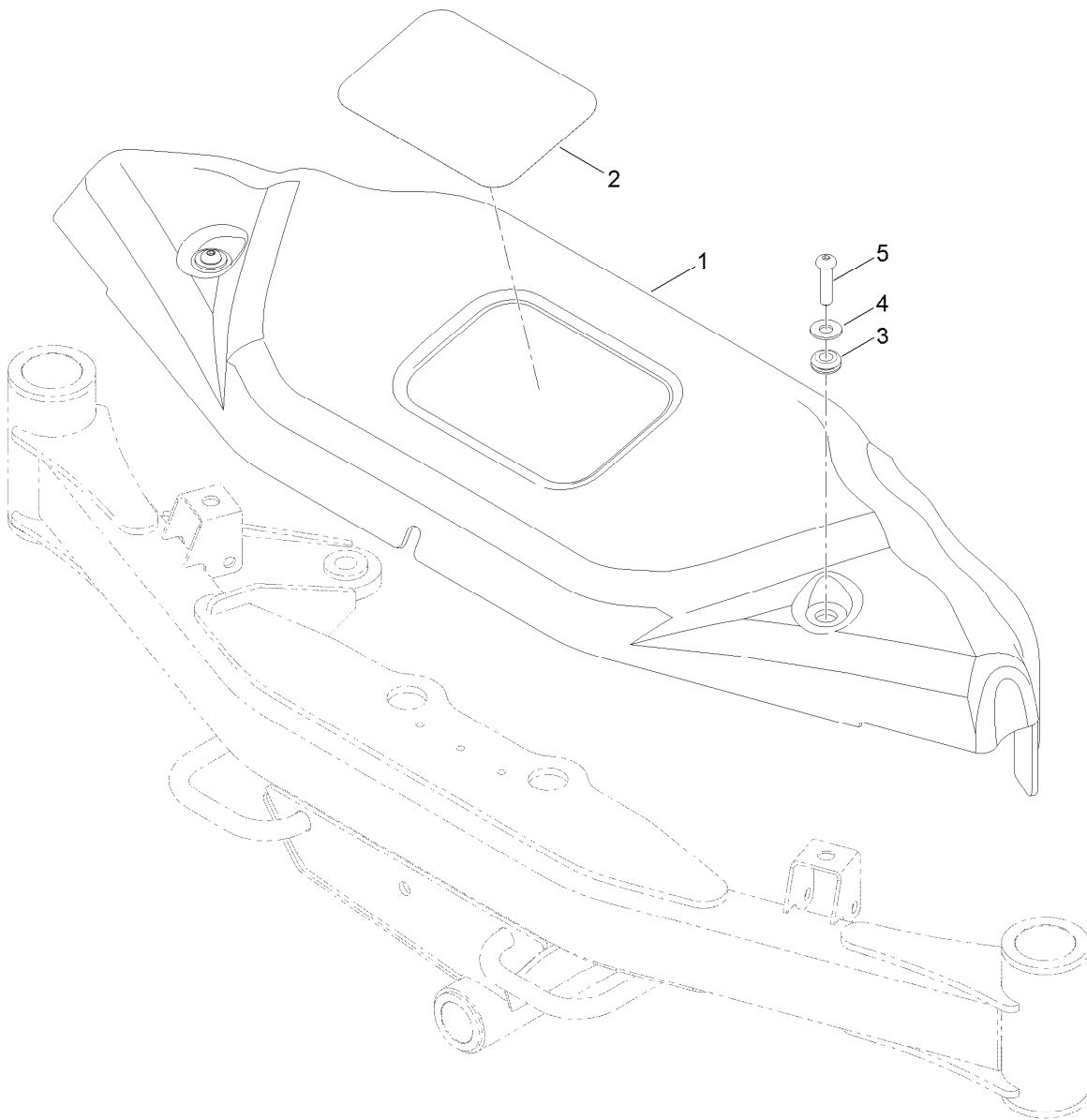
Platform and Roll-Over Protection System Assembly (continued)

| <i>Ref.</i> | <i>Part Number</i> | <i>Qty.</i> | <i>Description</i> | <i>Ref.</i> | <i>Part Number</i> | <i>Qty.</i> | <i>Description</i> |
|-------------|--------------------|-------------|--------------------|-------------|--------------------|-------------|---------------------|
| 1 | 127-6520 | 1 | ROPS ASM | 12 | 32144-41 | 6 | Screw-Taptite |
| 1:1 | 117-3272 | 1 | Decal-Danger, ROPS | 13 | 117-3204-03 | 1 | Plate-Floor |
| 2 | 103-4553 | 2 | Pin-Fold, ROPS | 14 | 115-8827 | 2 | Foam-Strip |
| 3 | 110-5696 | 2 | Spring-Leaf | 15 | 110-9847 | 1 | Rod-Prop |
| 4 | 3290-412 | 4 | Rivet | 16 | 237-141 | 1 | Grommet-Rubber |
| 5 | 32128-23 | 2 | Nut-HF | 17 | 119-1414 | 1 | Pin-Cotter, Locking |
| 6 | 112-7264 | 2 | Screw-HH | 18 | 112-1461 | 1 | Decal-Routing, Belt |
| 7 | 104-8301 | 2 | Nut-Flange, NI | 20 | 71-0440 | 1 | Abrasive-Pedal |
| 9 | 132-6552 | 1 | Decal-HOC | 21 | 119-1398-01 | 1 | Platform |
| 10 | 117-3203-03 | 1 | Fender-Front, LH | 22 | 3234-24 | 4 | Screw-HHF |
| 11 | 117-3202-03 | 1 | Fender-Front, RH | 23 | 3256-22 | 1 | Washer-Flat |



2 Wheel Drive Steering Assembly

| Ref. | Part Number | Qty. | Description | Ref. | Part Number | Qty. | Description |
|------|-------------|------|--------------------|------|-------------|------|-----------------------------|
| 1 | 117-2951 | 4 | Base-Fork, Steer | 10:1 | 237-65 | 1 | O-Ring |
| 2 | 132-6556-03 | 2 | Bracket-Bulkhead | 11 | 110-9380 | 1 | Screw-HWH |
| 3 | 117-3361 | 4 | Spindle-Steer | 12 | 5-0838 | 3 | Washer |
| 4 | 325-3 | 4 | Screw-HH | 13 | 32128-21 | 1 | Nut-HF |
| 5 | 117-3266 | 20 | Screw-HH | 14 | 323-8 | 1 | Screw-HH |
| 6 | 117-2948 | 1 | Upper Tube ASM | 15 | 119-1413 | 1 | Bracket-Sensor |
| 6:1 | 237-65 | 1 | O-Ring | 16 | 103-1166 | 1 | Spacer-Tube, Pump Link |
| 7 | 117-2949 | 1 | Lower Tube ASM | 17 | 115-5300 | 1 | Proximity Switch ASM |
| 7:1 | 237-65 | 1 | O-Ring | 17:1 | 117-3207 | 2 | Nut-Hex |
| 8 | 340-74 | 4 | Nut-Lock, Bulkhead | 17:2 | 117-3208 | 2 | Washer-Lock, Internal Tooth |
| 9 | 117-2946 | 1 | Upper Tube ASM | 18 | 117-2216-03 | 1 | Bracket-Target |
| 9:1 | 237-65 | 1 | O-Ring | 19 | 3234-47 | 1 | Screw-HHF |
| 10 | 117-2947 | 1 | Lower Tube ASM | | | | |



Front Cover Assembly

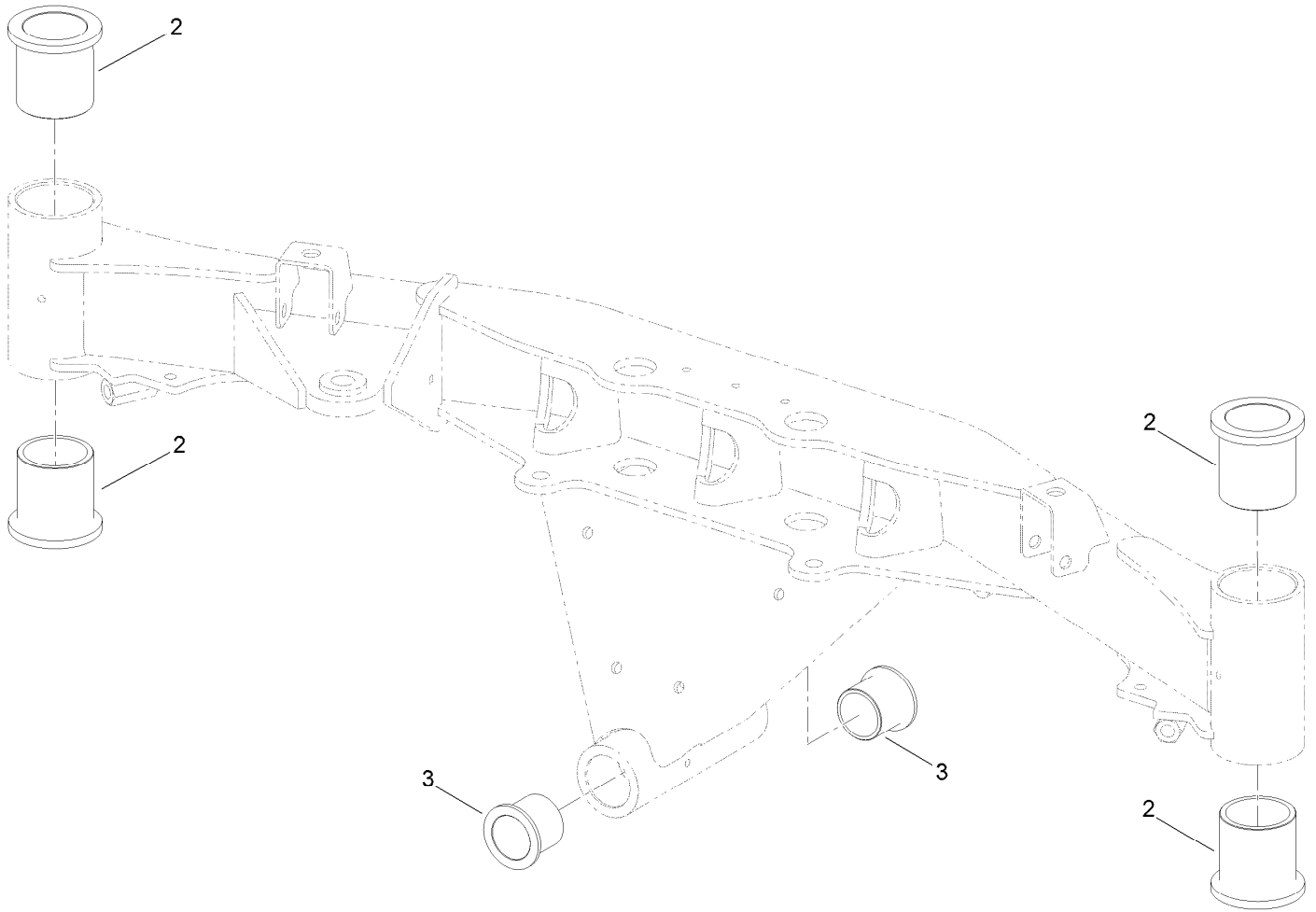
| <i>Ref.</i> | <i>Part Number</i> | <i>Qty.</i> | <i>Description</i> |
|-------------|--------------------|-------------|--------------------|
| 1 | 125-2828 | 1 | Cover-Front |
| 2 | 104-7213 | 1 | Decal |
| 3 | 1-633630 | 2 | Grommet |
| 4 | 100-7403 | 2 | Washer-Flat |
| 5 | 95-3857 | 2 | Screw-HSBH |

Front Axle and Tie Rod Assembly (continued)

| <i>Ref.</i> | <i>Part Number</i> | <i>Qty.</i> | <i>Description</i> | <i>Ref.</i> | <i>Part Number</i> | <i>Qty.</i> | <i>Description</i> |
|-------------|--------------------|-------------|--------------------------|-------------|--------------------|-------------|--------------------|
| 1 | 125-2825 | 1 | Front Axle ASM | 19 | 100-2508 | 2 | Washer-Thrust |
| 2 | 119-1376 | 1 | Shaft-Pivot | 20 | 302-2 | 2 | Fitting-Grease |
| 3 | 32121-110 | 1 | Pin-Roll, Slotted | 21 | 100-4196 | 2 | Ring-Retaining |
| 4 | 120-0238 | 1 | Spacer-Cylinder | 22 | 115-0169 | 2 | Washer-Thrust |
| 5 | 98-1452 | 3 | Washer-Thrust | 23 | 100-3362 | 2 | Cap-Spindle |
| 6 | 3296-68 | 1 | Nut-Lock, NI | 24 | 3234-12 | 2 | Screw-HHF |
| 7 | 117-2920-03 | 1 | Support-Axle | 25 | 302-5 | 4 | Fitting-Grease |
| 8 | 3234-38 | 6 | Screw-HHF | 26 | 117-2986 | 1 | Centerlink |
| 9 | 99-5107 | 6 | Nut-Lock | 27 | 3218-5 | 2 | Nut-Jam |
| 10 | 302-60 | 2 | Fitting-Grease | 28 | 3272-12 | 6 | Pin-Cotter |
| 11 | 32136-3 | 2 | Nut-SHH | 29 | 120-0391 | 1 | Front LH Arm ASM |
| 12 | 125-2835 | 1 | HYD Cylinder ASM | 29:2 | 94-8947 | 2 | Bushing-Flange |
| 13 | 340-2 | 2 | Fitting-Str | 30 | 325-6 | 2 | Screw-HH |
| 13:1 | 237-22 | 1 | O-Ring | 31 | 117-3167 | 2 | Front Pin ASM |
| 13:2 | 237-42 | 1 | O-Ring | 32 | 120-0390 | 1 | Front RH Arm ASM |
| 14 | 32151-104 | 3 | Ring-Retaining, External | 32:2 | 94-8947 | 2 | Bushing-Flange |
| 15 | 84-5300 | 1 | Nut-Jam | 33 | 99-5105 | 2 | Bolt-Shoulder |
| 16 | 71-4740-03 | 1 | RH Tie Rod End ASM | 34 | 117-2983 | 2 | Rod-Tie, Front |
| 16:1 | | 1 | End-Rod, Tie (RH) ●■ | 34:1 | 42-9650 | 1 | Nut-Hex, Jam |
| 16:1:1 | 105-7941 | 1 | Nut-Hex, Slotted ● | 34:2 | 117-3287 | 1 | Dust Boot |
| 16:1:2 | 105-7835 | 1 | Seal ● | 34:5 | 302-5 | 1 | Fitting-Grease |
| 16:1:3 | 302-5 | 1 | Fitting-Grease | 35 | 93-4628 | 1 | Washer |
| 17 | 106-6774 | 3 | Joint-Ball | 36 | 105-4886 | 2 | Nut-Tinnerman |
| 18 | 32136-2 | 3 | Nut-SHH | | | | |

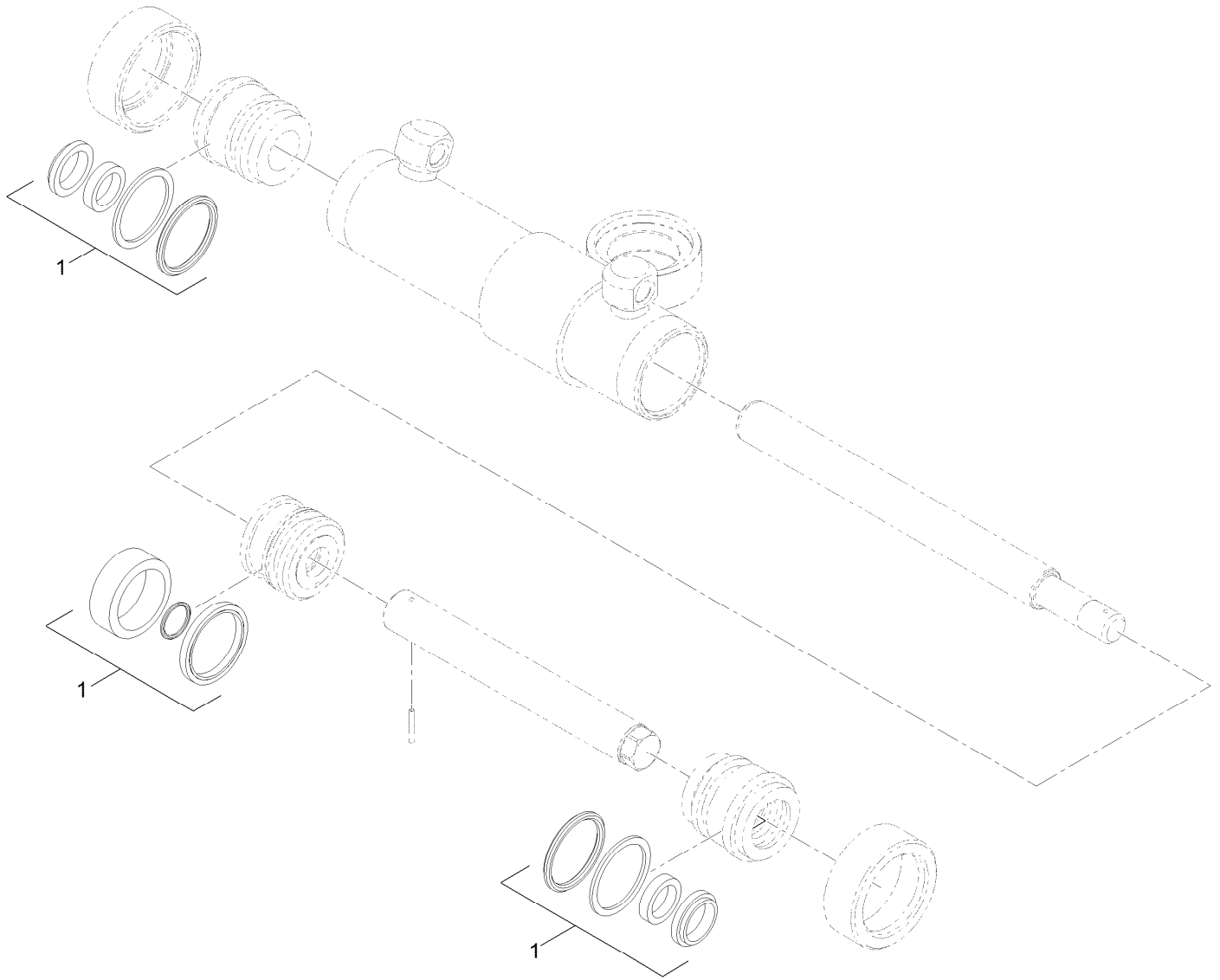
● Not illustrated

■ Not serviced separately



Front Axle Assembly No. 125-2825

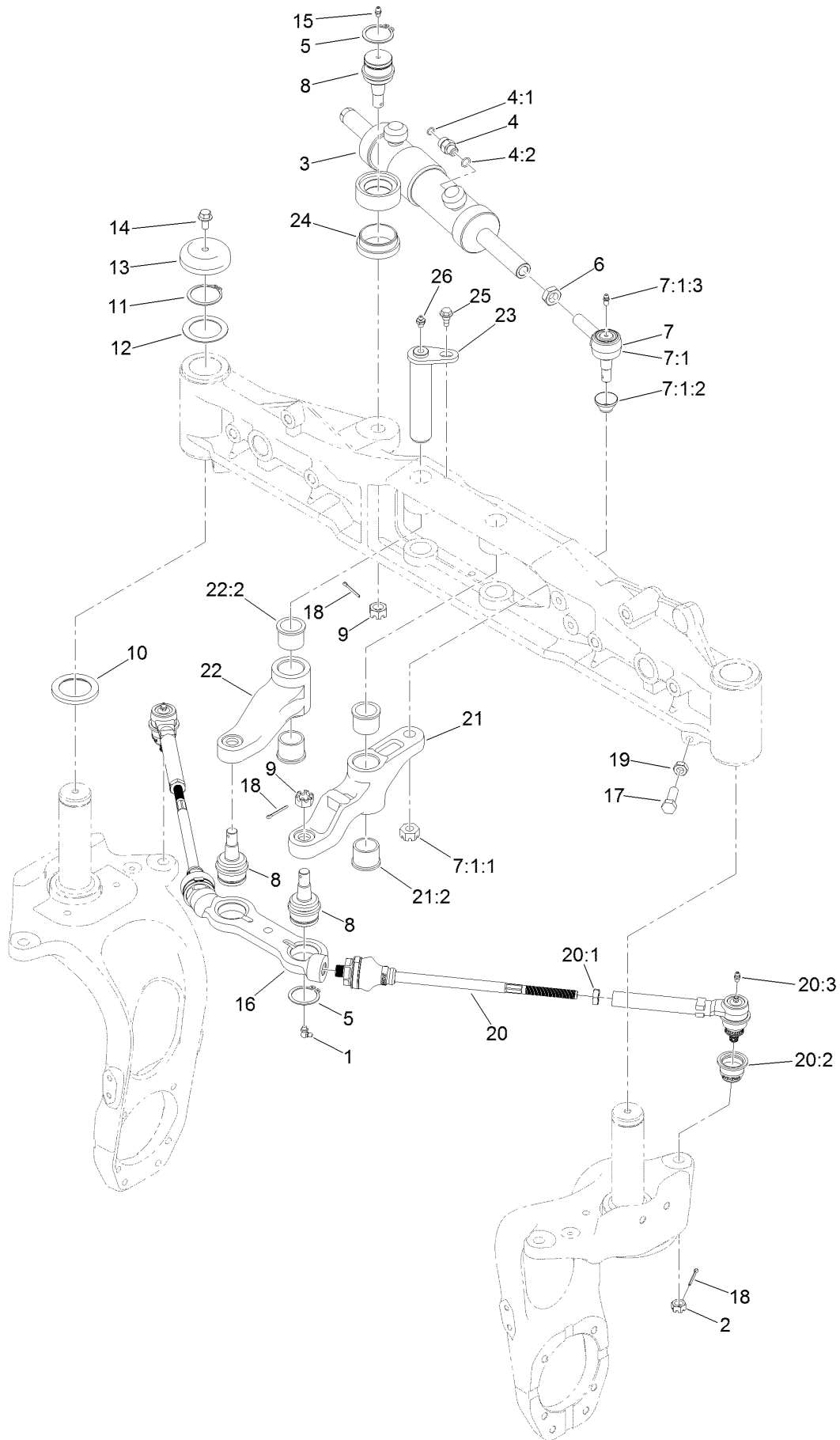
| <i>Ref.</i> | <i>Part Number</i> | <i>Qty.</i> | <i>Description</i> |
|-------------|--------------------|-------------|--------------------|
| 2 | 125-4386 | 4 | Bushing-Castor |
| 3 | 69-6470 | 2 | Bushing-Castor |



Hydraulic Cylinder Assembly No. 125-2835

| <i>Ref.</i> | <i>Part Number</i> | <i>Qty.</i> | <i>Description</i> |
|-------------|--------------------|-------------|--------------------|
| 1 | 120-2557 | 1 | Seal Kit |

Rear Steering Assembly

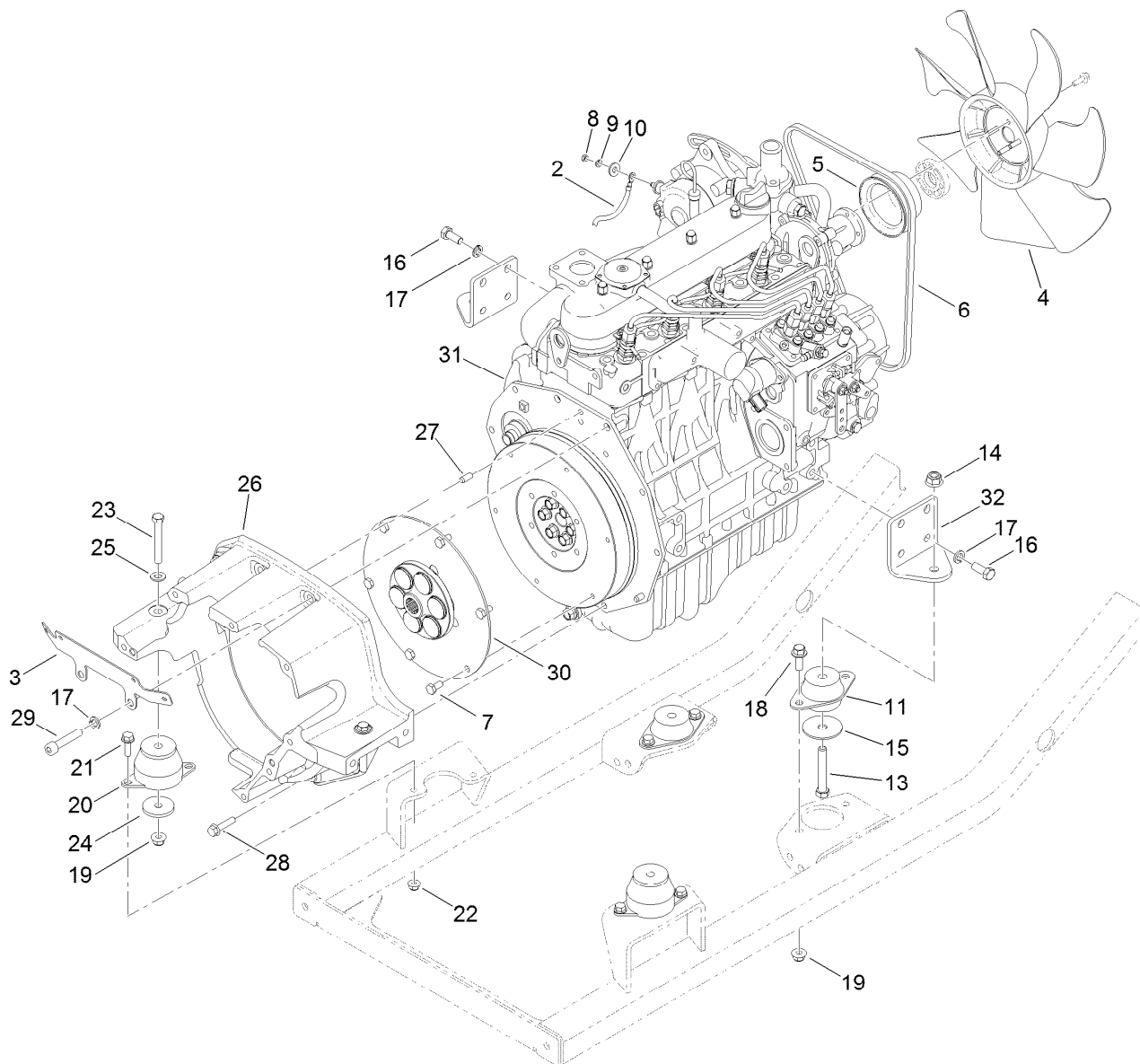


Rear Steering Assembly (continued)

| <i>Ref.</i> | <i>Part Number</i> | <i>Qty.</i> | <i>Description</i> | <i>Ref.</i> | <i>Part Number</i> | <i>Qty.</i> | <i>Description</i> |
|-------------|--------------------|-------------|--------------------------|-------------|--------------------|-------------|--------------------|
| 1 | 302-60 | 2 | Fitting-Grease | 14 | 3234-12 | 2 | Screw-HHF |
| 2 | 32136-3 | 2 | Nut-SHH | 15 | 302-5 | 1 | Fitting-Grease |
| 3 | 125-2835 | 1 | HYD Cylinder ASM | 16 | 117-2986 | 1 | Centerlink |
| 4 | 340-2 | 2 | Fitting-Str | 17 | 325-6 | 2 | Screw-HH |
| 4:1 | 237-22 | 1 | O-Ring | 18 | 3272-12 | 6 | Pin-Cotter |
| 4:2 | 237-42 | 1 | O-Ring | 19 | 3218-5 | 2 | Nut-Jam |
| 5 | 32151-104 | 3 | Ring-Retaining, External | 20 | 117-2984 | 2 | Rod-Tie, Rear |
| 6 | 84-5300 | 1 | Nut-Jam | 20:1 | 42-9650 | 1 | Nut-Hex, Jam |
| 7 | 71-4740-03 | 1 | RH Tie Rod End ASM | 20:2 | 117-3287 | 1 | Dust Boot |
| 7:1 | | 1 | End-Rod, Tie (RH) ●■ | 20:3 | 302-5 | 1 | Fitting-Grease |
| 7:1:1 | 105-7941 | 1 | Nut-Hex, Slotted ● | 21 | 125-2832 | 1 | Rear LH Arm ASM |
| 7:1:2 | 105-7835 | 1 | Seal ● | 21:2 | 94-8947 | 2 | Bushing-Flange |
| 7:1:3 | 302-5 | 1 | Fitting-Grease | 22 | 120-0392 | 1 | Rear RH Arm ASM |
| 8 | 106-6774 | 3 | Joint-Ball | 22:2 | 94-8947 | 2 | Bushing-Flange |
| 9 | 32136-2 | 3 | Nut-SHH | 23 | 117-3137 | 2 | Pin ASM |
| 10 | 100-2508 | 2 | Washer-Thrust | 24 | 120-0238 | 1 | Spacer-Cylinder |
| 11 | 100-4196 | 2 | Ring-Retaining | 25 | 99-5105 | 2 | Bolt-Shoulder |
| 12 | 115-0169 | 2 | Washer-Thrust | 26 | 302-2 | 2 | Fitting-Grease |
| 13 | 100-3362 | 2 | Cap-Spindle | | | | |

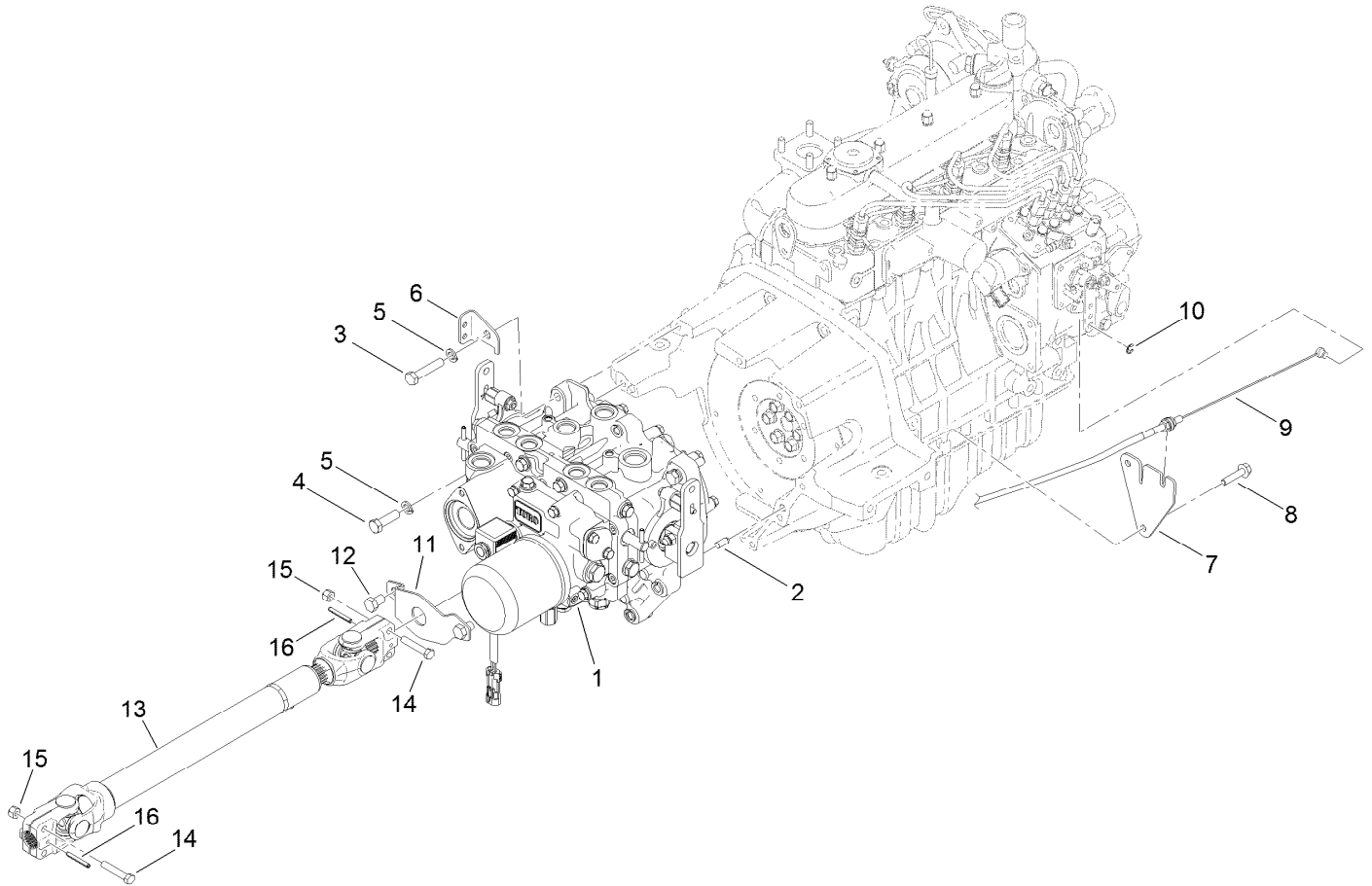
● Not illustrated

■ Not serviced separately



Engine Component Assembly

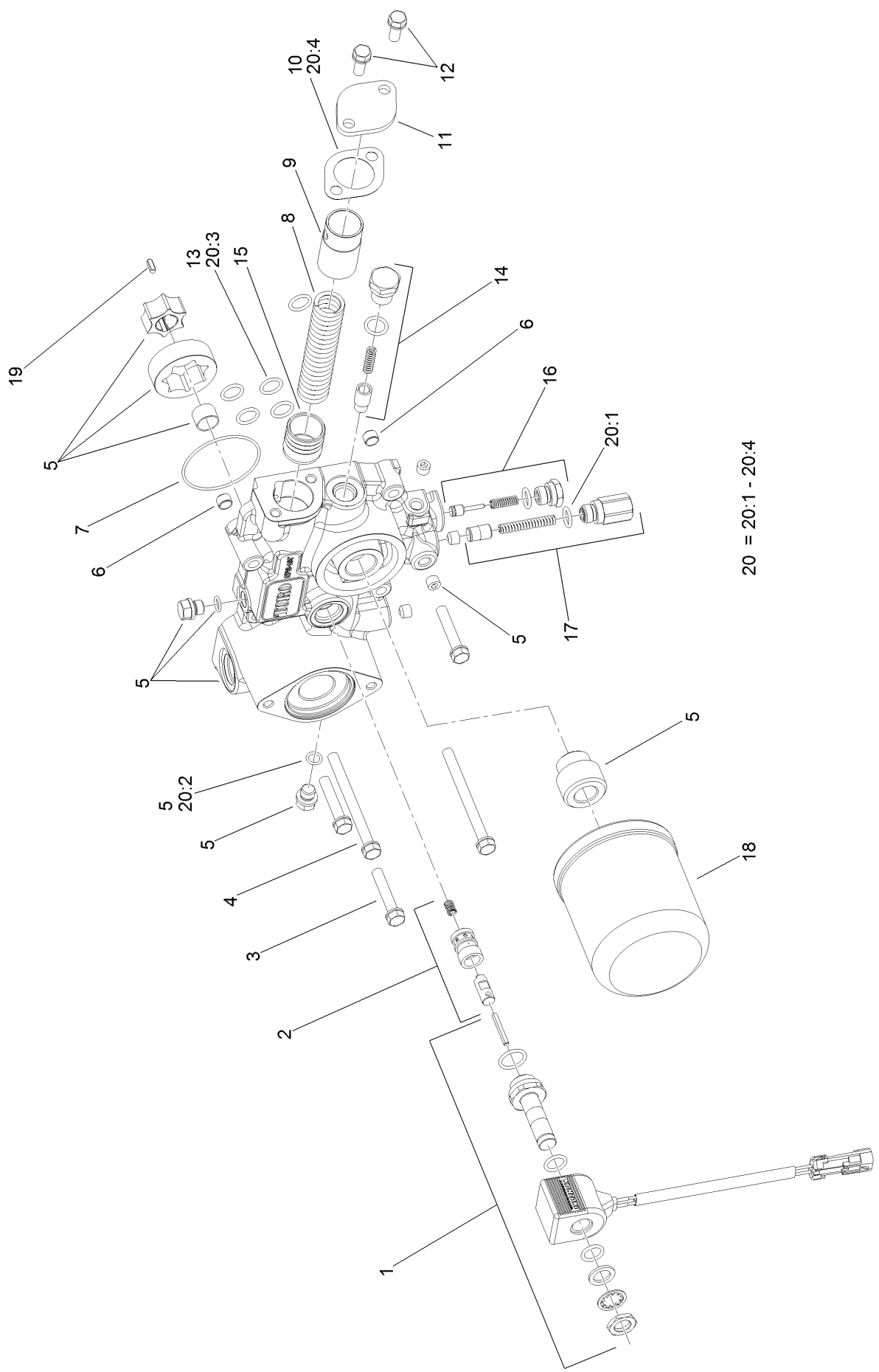
| <i>Ref.</i> | <i>Part Number</i> | <i>Qty.</i> | <i>Description</i> | <i>Ref.</i> | <i>Part Number</i> | <i>Qty.</i> | <i>Description</i> |
|-------------|--------------------|-------------|---------------------|-------------|--------------------|-------------|----------------------|
| 2 | 100-5552 | 1 | Harness-Wire | 18 | 3234-42 | 4 | Screw-HHF |
| 3 | 117-3173-03 | 1 | Support-Cable | 19 | 104-8301 | 6 | Nut-Flange, NI |
| 4 | 107-9096 | 1 | Fan-Cooling | 20 | 107-2289 | 2 | Mount-Motor |
| 5 | 99-3453 | 1 | Pulley-Fan | 21 | 3234-17 | 4 | Screw-HHF |
| 6 | 115-0123 | 1 | V-Belt | 22 | 104-8300 | 4 | Nut-Flange, NI |
| 7 | 99-5132 | 6 | Bolt | 23 | 323-13 | 2 | Screw-HH |
| 8 | 33013-00 | 1 | Nut-Hex | 24 | 80-8560 | 2 | Washer-Hardened |
| 9 | 43-5930 | 1 | Washer-Lock, Spring | 25 | 3256-24 | 2 | Washer-Flat |
| 10 | 3256-2 | 1 | Washer-Flat | 26 | 125-9219 | 1 | Housing-Flywheel |
| 11 | 53-9681 | 2 | Mount-Engine | 27 | 87-1910 | 2 | Pin-Dowel |
| 13 | 324-11 | 2 | Screw-HH | 28 | 33104-035 | 6 | Screw-HHF |
| 14 | 114-8417 | 2 | Nut-HF, NI | 29 | 3274-106 | 2 | Screw-HSH |
| 15 | 87-5100 | 2 | Washer-Snubbing | 30 | 110-9729 | 1 | Coupling-Flywheel |
| 16 | 43-0090 | 8 | Screw-HH | 31 | 125-2171 | 1 | Engine-Kubota, V1505 |
| 17 | 48-9590 | 10 | Washer-Lock | 32 | 115-0059-03 | 2 | Plate-Mount, Motor |



Transmission Component Assembly

| <i>Ref.</i> | <i>Part Number</i> | <i>Qty.</i> | <i>Description</i> | <i>Ref.</i> | <i>Part Number</i> | <i>Qty.</i> | <i>Description</i> |
|-------------|--------------------|-------------|--------------------|-------------|--------------------|-------------|----------------------|
| 1 | 125-9290 | 1 | Transmisson ASM | 9 | 115-0339 | 1 | Cable-Throttle/Choke |
| 2 | 87-1910 | 2 | Pin-Dowel | 10 | 701197 | 1 | E-Ring |
| 3 | 33115-050 | 6 | Screw-HH | 11 | 114-4088 | 1 | Shield-Seal |
| 4 | 33115-035 | 1 | Screw-HH | 12 | 33115-016 | 2 | Screw-HH |
| 5 | 48-9590 | 7 | Washer-Lock | 13 | 110-3575 | 1 | Driveshaft ASM |
| 6 | 120-0239 | 1 | Support-Tube | 14 | 322-9 | 4 | Screw-HH |
| 7 | 114-4060 | 1 | Bracket-Throttle | 15 | 3296-29 | 4 | Nut-Lock, NI |
| 8 | 33104-035 | 2 | Screw-HHF | 16 | 32121-34 | 2 | Pin-Roll |

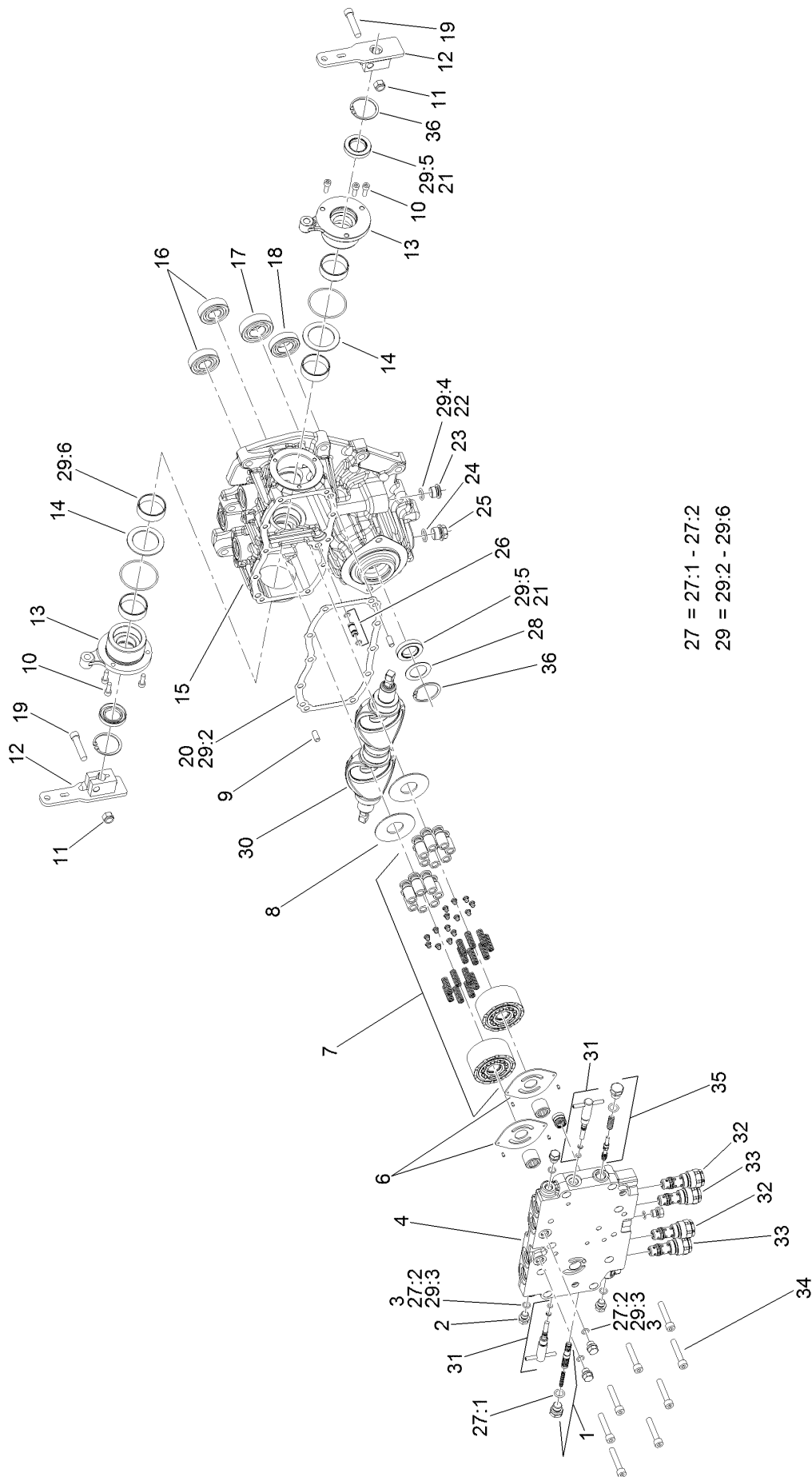
Charge Pump Housing Assembly Transmission Assembly No. 125-9290



Charge Pump Housing Assembly Transmission Assembly No. 125-9290 (continued)

| <i>Ref.</i> | <i>Part Number</i> | <i>Qty.</i> | <i>Description</i> | <i>Ref.</i> | <i>Part Number</i> | <i>Qty.</i> | <i>Description</i> |
|-------------|--------------------|-------------|---------------------|-------------|--------------------|-------------|-------------------------|
| 1 | 107-0851 | 1 | Solenoid ASM | 13 | 104-3298 | 1 | Packing |
| 2 | 107-0850 | 1 | Solenoid Valve ASM | 14 | 107-0843 | 1 | Filter Bypass Valve ASM |
| 3 | 107-0863 | 3 | Bolt | 15 | 107-0818 | 1 | Piston |
| 4 | 107-0864 | 2 | Bolt | 16 | 120-5153 | 1 | Charge Relief Valve ASM |
| 5 | 107-0840 | 1 | Pump Body ASM | 17 | 107-0841 | 1 | Pressure Valve ASM |
| 6 | 107-0848 | 2 | Pin | 18 | 108-5194 | 1 | Filter-Oil, HYD |
| 7 | 107-0856 | 1 | O-Ring | 19 | 107-0865 | 1 | Key |
| 8 | 107-0845 | 1 | Spring | 20 | 107-0855 | 1 | Charge Pump Seal Kit |
| 9 | 107-0844 | 1 | Collar | 20:1 | 93-0418 | 2 | O-Ring |
| 10 | 107-0847 | 1 | Gasket | 20:2 | 107-0817 | 2 | O Ring-Plug |
| 11 | 107-0846 | 1 | Cover | 20:3 | 104-3298 | 6 | Packing |
| 12 | 93-0457 | 2 | Bolt And Washer ASM | 20:4 | 107-0847 | 1 | Gasket |

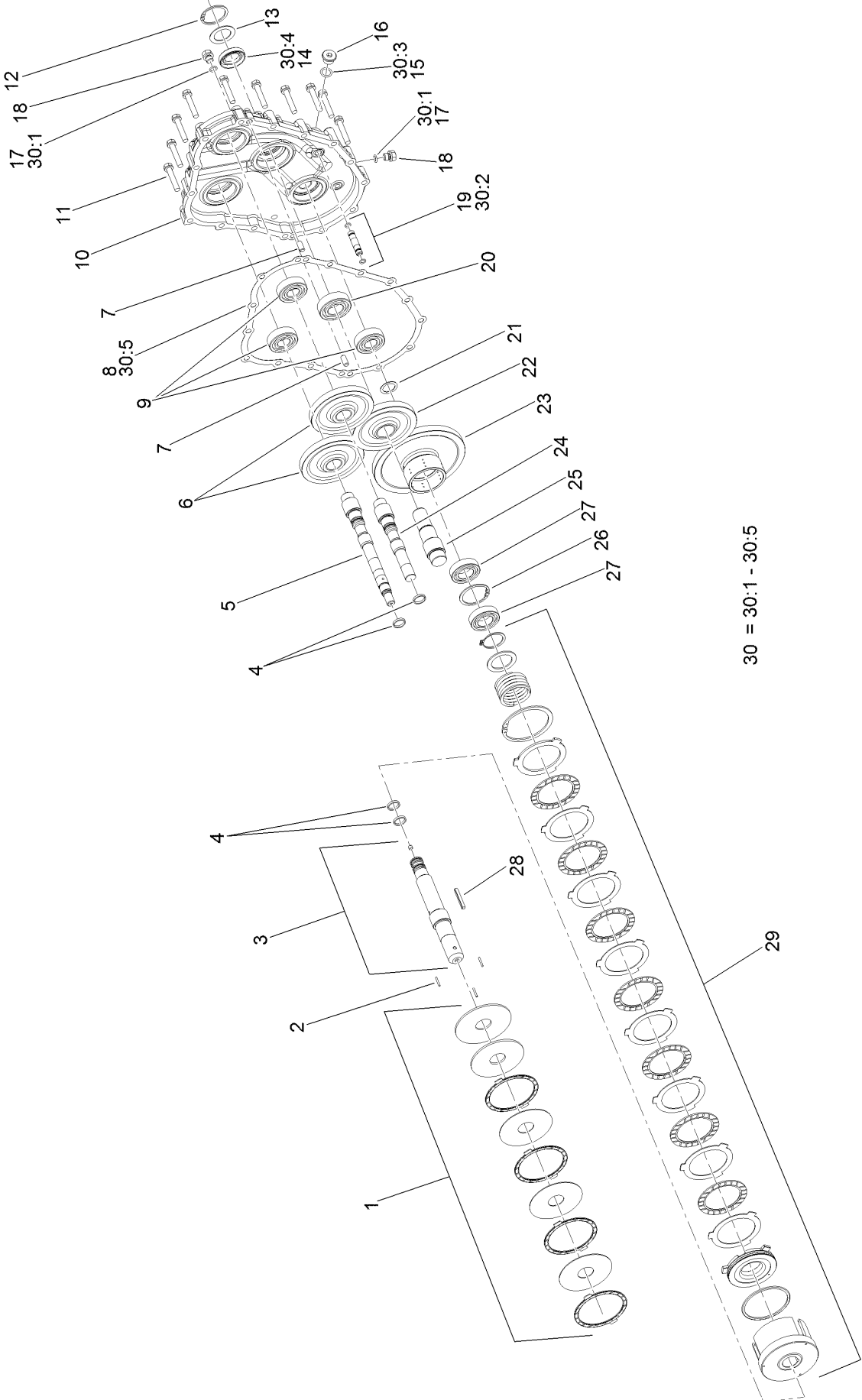
Center Section Assembly Transmission Assembly No. 125-9290



Center Section Assembly Transmission Assembly No. 125-9290 (continued)

| <i>Ref.</i> | <i>Part Number</i> | <i>Qty.</i> | <i>Description</i> | <i>Ref.</i> | <i>Part Number</i> | <i>Qty.</i> | <i>Description</i> |
|-------------|--------------------|-------------|---------------------|-------------|--------------------|-------------|-----------------------|
| 1 | 107-0807 | 1 | Valve-Flushing, RH | 23 | 107-0861 | 1 | Plug-NPTF |
| 2 | 107-0857 | 6 | Plug | 24 | 237-79 | 1 | O-Ring |
| 3 | 107-0817 | 6 | O Ring-Plug | 25 | 107-0867 | 1 | Plug |
| 4 | 120-5150 | 1 | Center Case ASM | 26 | 107-0812 | 1 | Pipe |
| 6 | 107-0805 | 2 | Plate-Valve | 27 | 107-0852 | 1 | Center Case Seal Kit |
| 7 | 107-0824 | 2 | Cylinder Block ASM | 27:1 | 93-0418 | 2 | O-Ring |
| 8 | 107-0830 | 2 | Plate-Thrust | 27:2 | 107-0817 | 6 | O Ring-Plug |
| 9 | 92-0765 | 4 | Pin-Parallel | 28 | 107-0813 | 1 | Spacer |
| 10 | 107-0859 | 6 | Bolt | 29 | 107-0853 | 1 | Pump Housing Seal Kit |
| 11 | 120-6681 | 2 | U-Nut | 29:2 | 107-0810 | 1 | Gasket-Case, Center |
| 12 | 131-5505 | 2 | Arm-Control | 29:3 | 107-0817 | 2 | O Ring-Plug |
| 13 | 107-0832 | 2 | Side Cover ASM | 29:4 | 104-3298 | 1 | Packing |
| 14 | 107-0829 | 2 | Washer | 29:5 | 107-0814 | 3 | Seal |
| 15 | 120-5151 | 1 | Pump Housing ASM | 29:6 | 107-0825 | 4 | Ring-Seal |
| 16 | 107-0826 | 2 | Bearing | 30 | 120-6679 | 2 | Plate-Swash |
| 17 | 107-0821 | 1 | Bearing | 31 | 107-0808 | 2 | Valve-Bypass |
| 18 | 107-0838 | 1 | Bearing | 32 | 107-0804 | 2 | Valve-Rear |
| 19 | 120-6682 | 2 | Bolt | 33 | 107-0803 | 2 | Valve-Front |
| 20 | 107-0810 | 2 | Gasket-Case, Center | 34 | 107-0863 | 8 | Bolt |
| 21 | 107-0814 | 1 | Seal | 35 | 107-0806 | 1 | Valve-Flushing, LH |
| 22 | 104-3298 | 1 | Packing | 36 | 92-0757 | 2 | Ring-Snap |

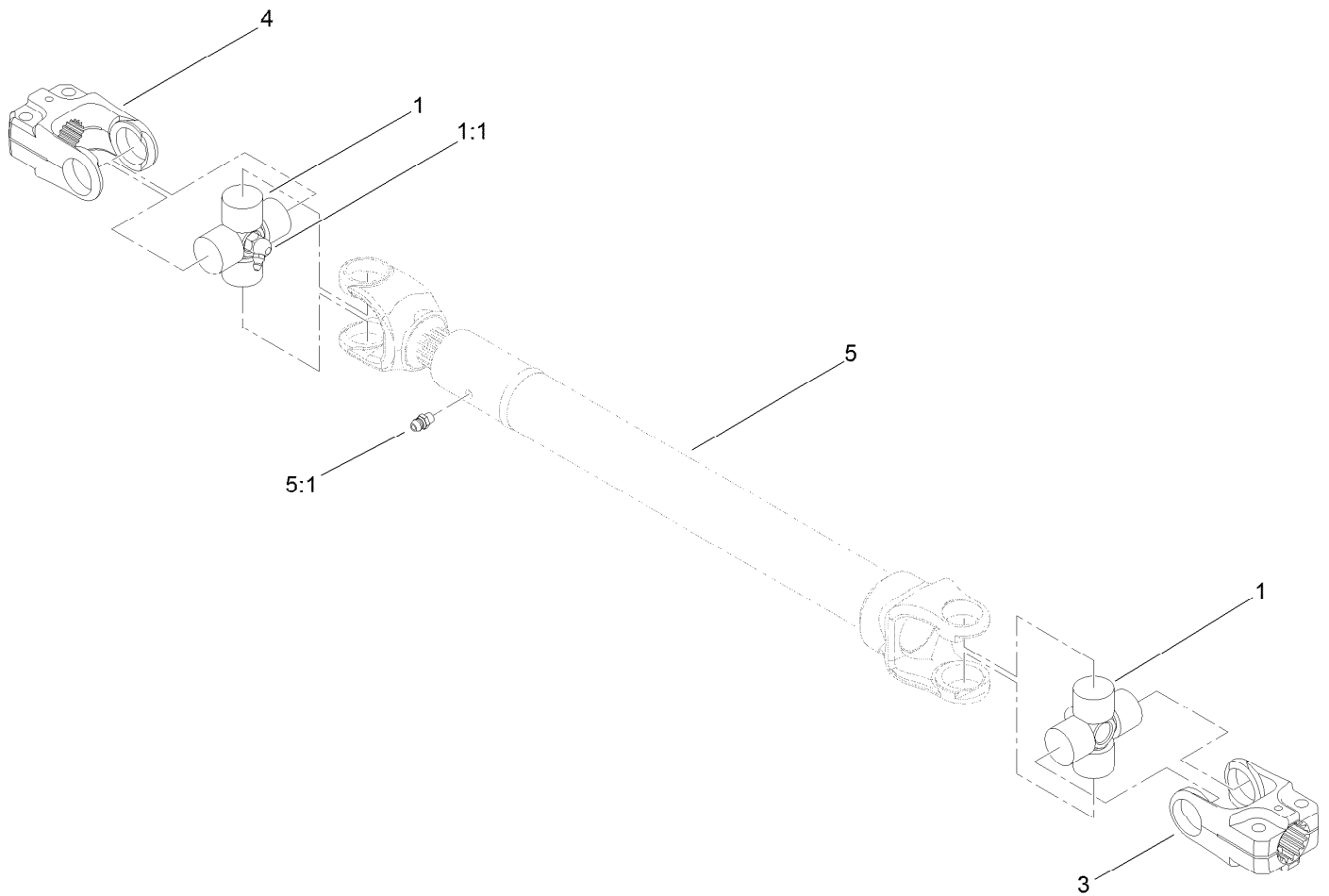
Gear Case and Clutch Assembly Transmission Assembly No. 125-9290



Gear Case and Clutch Assembly Transmission Assembly No. 125-9290 (continued)

| <i>Ref.</i> | <i>Part Number</i> | <i>Qty.</i> | <i>Description</i> | <i>Ref.</i> | <i>Part Number</i> | <i>Qty.</i> | <i>Description</i> |
|-------------|--------------------|-------------|----------------------|-------------|--------------------|-------------|-----------------------|
| 1 | 107-0839 | 1 | PTO Brake ASM | 19 | 107-0811 | 1 | Pipe |
| 2 | 107-0837 | 3 | Rod-Push | 20 | 107-0821 | 2 | Bearing |
| 3 | 107-0833 | 1 | PTO Shaft ASM | 21 | 107-0836 | 1 | Spacer |
| 4 | 107-0825 | 2 | Ring-Seal | 22 | 107-0820 | 1 | Gear-Input |
| 5 | 107-0827 | 1 | Shaft-Pump | 23 | 107-0834 | 1 | Gear-PTO |
| 6 | 107-0823 | 2 | Gear-Pump | 24 | 107-0822 | 1 | Shaft-Pump |
| 7 | 92-0765 | 4 | Pin-Parallel | 25 | 107-0819 | 1 | Shaft-Input |
| 8 | 107-0816 | 1 | Gasket-Housing, Gear | 26 | 92-0758 | 1 | Ring-Snap |
| 9 | 107-0826 | 4 | Bearing | 27 | 107-0838 | 3 | Bearing |
| 10 | 120-5152 | 1 | Housing-Case, Gear | 28 | 107-0866 | 1 | Key |
| 11 | 107-0863 | 13 | Bolt | 29 | 107-0835 | 1 | Clutch Cylinder ASM |
| 12 | 92-0757 | 1 | Ring-Snap | 30 | 107-0854 | 1 | Gear Housing Seal Kit |
| 13 | 107-0813 | 1 | Spacer | 30:1 | 107-0817 | 2 | O Ring-Plug |
| 14 | 107-0814 | 1 | Seal | 30:2 | | 2 | O-Ring ● |
| 15 | 104-3298 | 1 | Packing | 30:3 | 104-3298 | 1 | Packing |
| 16 | 107-0861 | 1 | Plug-NPTF | 30:4 | 107-0814 | 1 | Seal |
| 17 | 107-0817 | 6 | O Ring-Plug | 30:5 | 107-0816 | 1 | Gasket-Housing, Gear |
| 18 | 107-0857 | 6 | Plug | | | | |

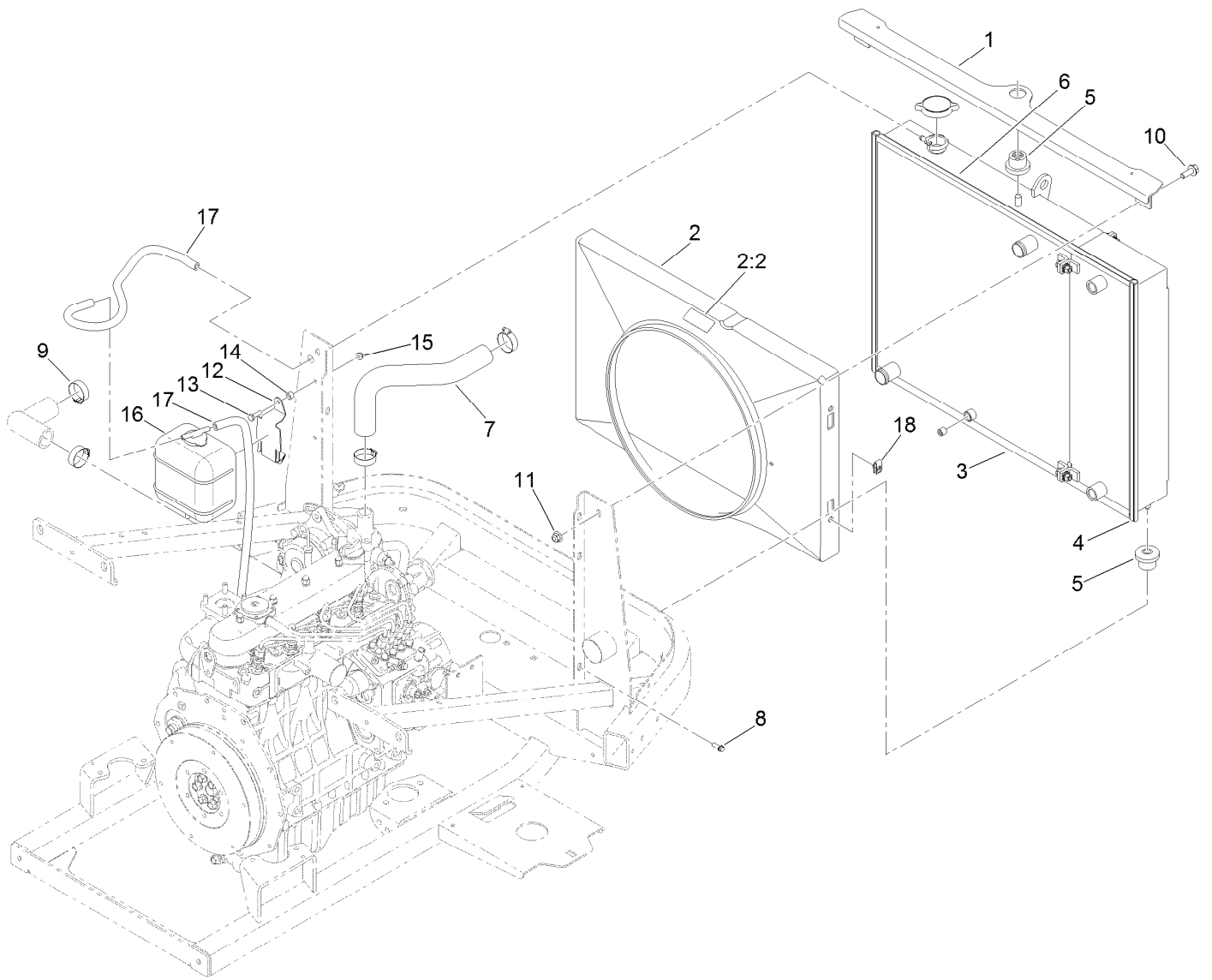
● Not serviced separately



Driveshaft Assembly No. 110-3575

| <i>Ref.</i> | <i>Part Number</i> | <i>Qty.</i> | <i>Description</i> |
|-------------|--------------------|-------------|-----------------------|
| 1 | 112-1687 | 2 | Cross And Bearing Kit |
| 1:1 | 62-3820 | 1 | Fitting-Grease |
| 3 | 54-9040 | 1 | Yoke-End |
| 4 | 54-9090 | 1 | Yoke-End |
| 5 | | 1 | Tube-Yoke, Slip ● |
| 5:1 | 302-22 | 1 | Fitting-Grease |

● Not serviced separately

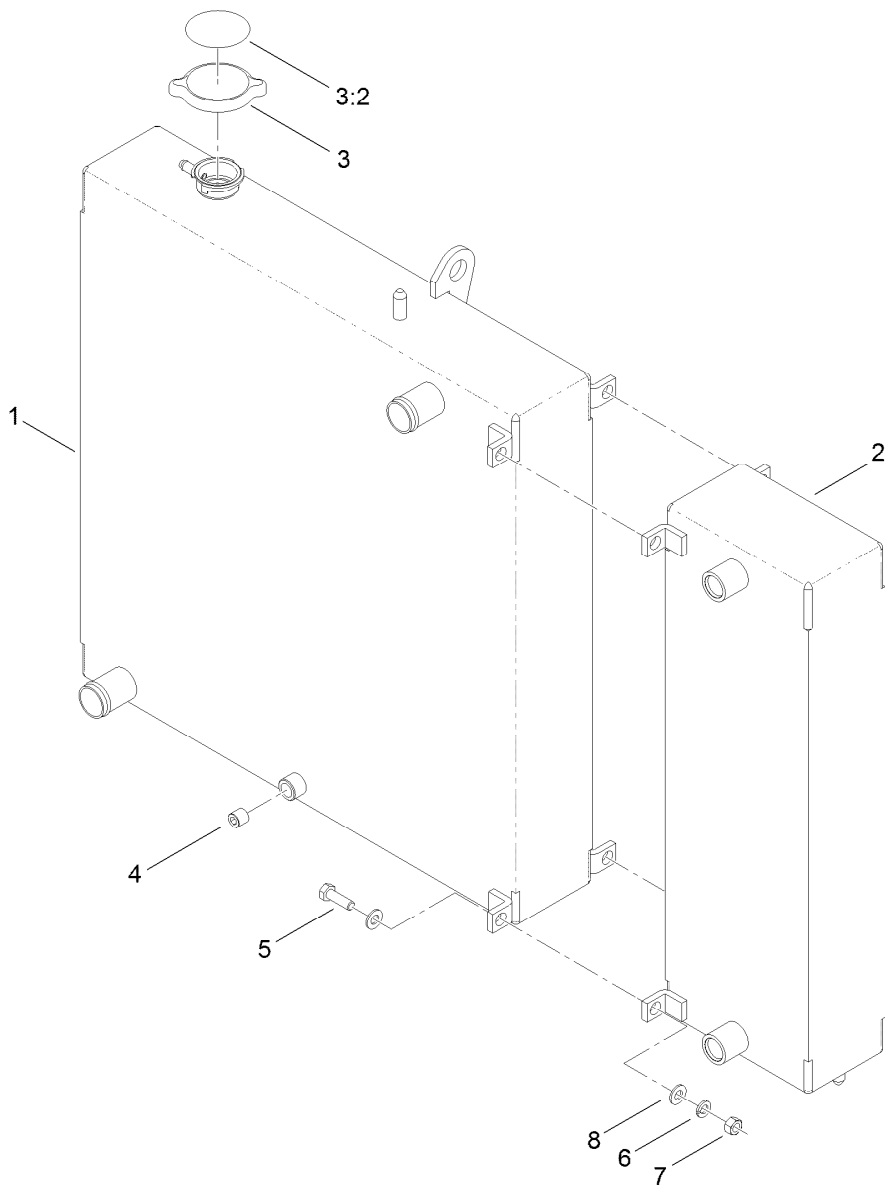


Radiator Component Assembly

| Ref. | Part Number | Qty. | Description |
|------|-------------|------|---------------------------|
| 1 | 133-4736-03 | 1 | Support-Radiator |
| 2 | 117-3268 | 1 | Shroud Fan ASM |
| 2:2 | 117-4766 | 1 | Decal-Warning, Fan |
| 3 | | 1 | Radiator And Cooler ASM ● |
| 4 | 119-1426 | 2 | Seal-Bulb |
| 5 | 119-1422 | 3 | Mount-Isolator |
| 6 | 119-1427 | 2 | Seal-Bulb |
| 7 | 115-0330 | 1 | Hose-Radiator, Upper |
| 8 | 32105-15 | 4 | Screw-HWH |
| 9 | 2412-34 | 4 | Clamp-Hose |

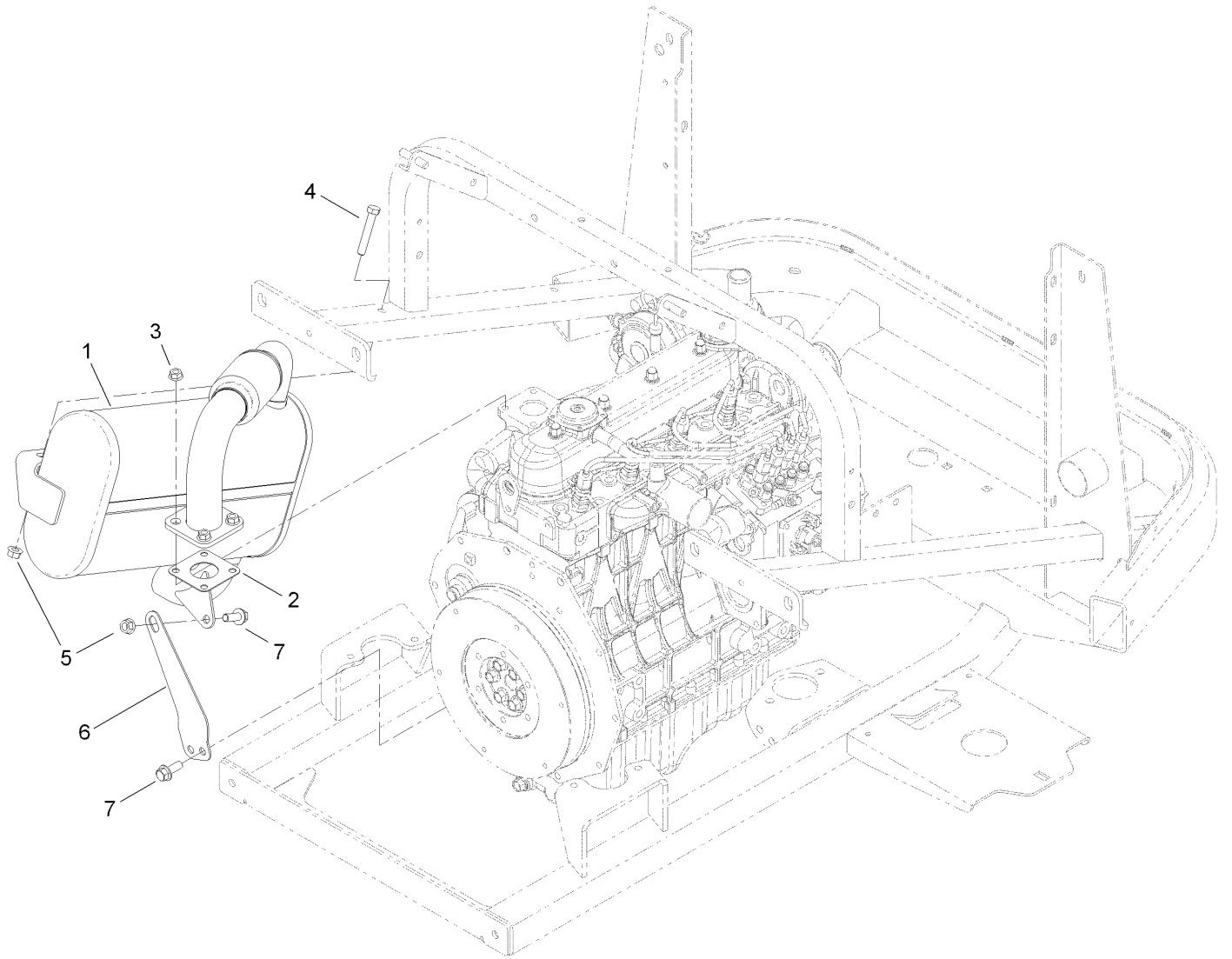
| Ref. | Part Number | Qty. | Description |
|------|-------------|------|-----------------|
| 10 | 3234-42 | 2 | Screw-HHF |
| 11 | 104-8301 | 2 | Nut-Flange, NI |
| 12 | 108-9930-03 | 1 | Bracket-Bottle |
| 13 | 321-5 | 2 | Screw-HH |
| 14 | 98-4799 | 2 | Spacer |
| 15 | 104-7201 | 2 | Nut-Flange, NI |
| 16 | 104-9318 | 1 | Bottle-Overflow |
| 17 | 108-3284 | 2 | Hose-Fuel |
| 18 | 107069 | 4 | Clip |

● Not serviced separately



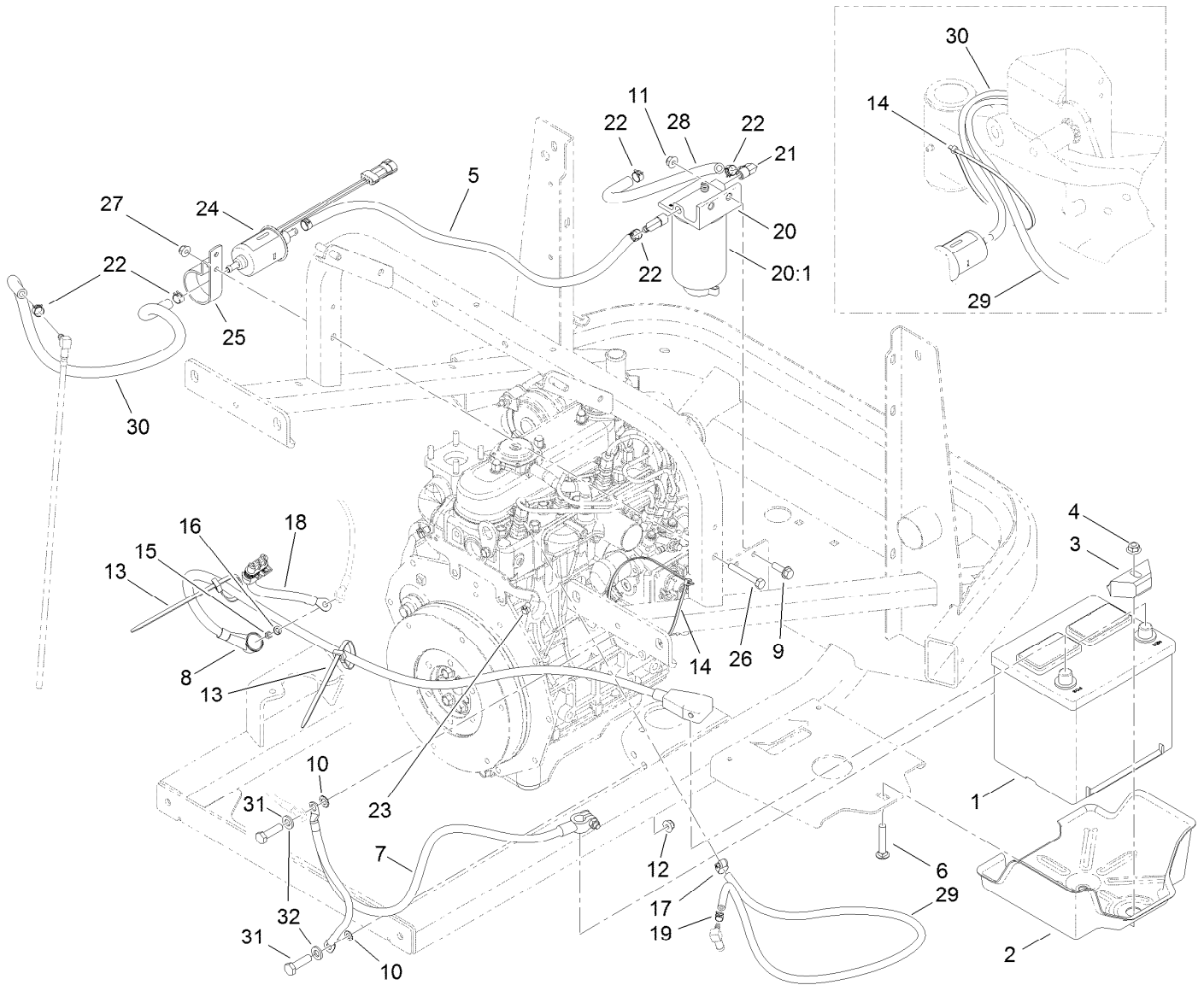
Radiator and Cooler Assembly

| <i>Ref.</i> | <i>Part Number</i> | <i>Qty.</i> | <i>Description</i> |
|-------------|--------------------|-------------|--------------------|
| 1 | 115-0050 | 1 | Radiator |
| 2 | 115-0051 | 1 | Cooler |
| 3 | 119-1430 | 1 | Radiator Cap ASM |
| 3:2 | 117-3276 | 1 | Decal-Danger |
| 4 | 99-8551 | 1 | Plug-Pipe |
| 5 | 322-5 | 4 | Screw-HH |
| 6 | 3253-4 | 4 | Washer-Lock |
| 7 | 3217-6 | 4 | Nut-Hex |
| 8 | 3256-23 | 8 | Washer-Flat |



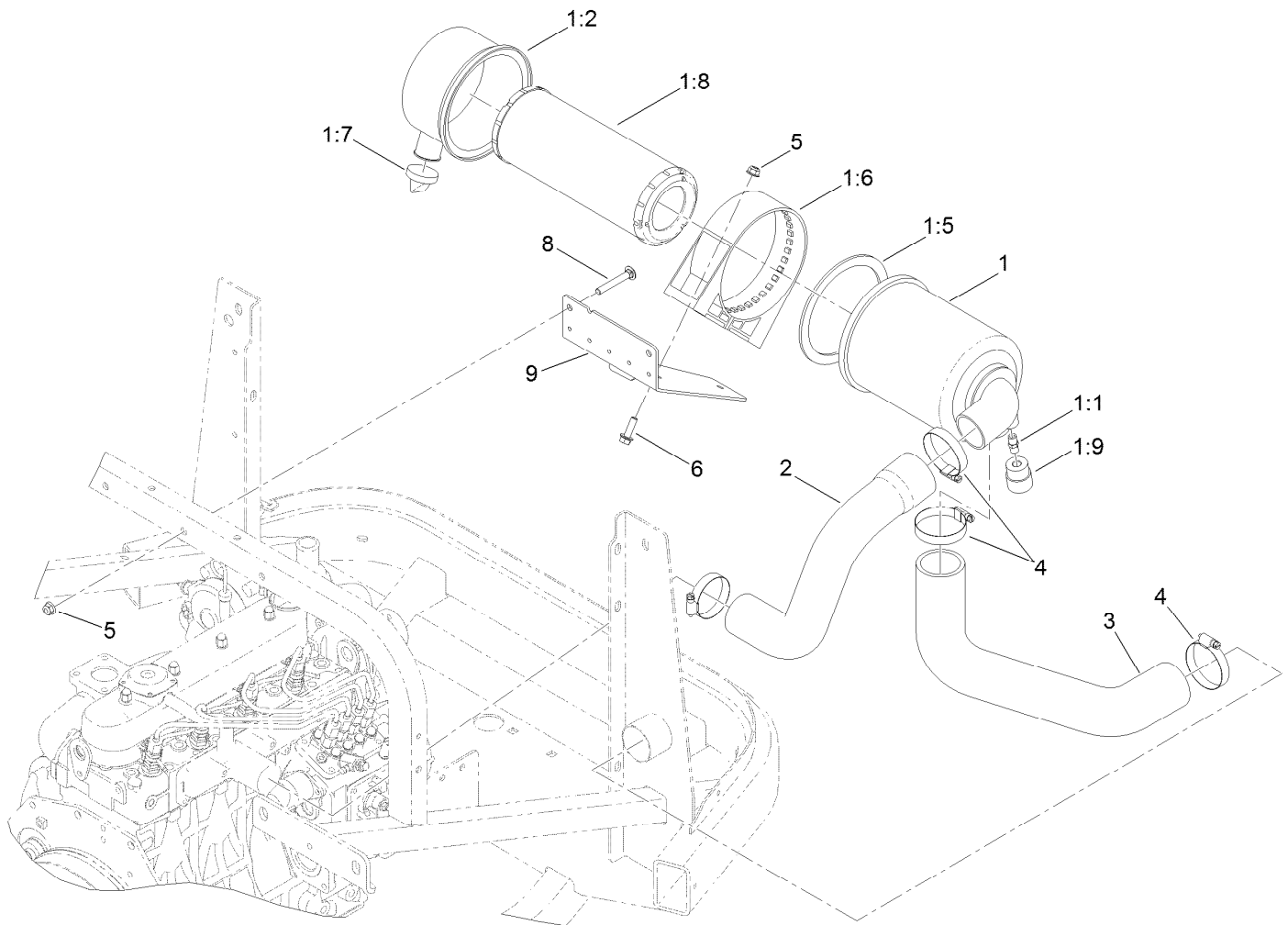
Muffler Assembly

| <i>Ref.</i> | <i>Part Number</i> | <i>Qty.</i> | <i>Description</i> |
|-------------|--------------------|-------------|--------------------|
| 1 | 115-0419 | 1 | Muffler |
| 2 | 98-9611 | 1 | Gasket |
| 3 | 33004-00 | 4 | Nut-HF |
| 4 | 323-11 | 2 | Screw-HH |
| 5 | 32128-21 | 5 | Nut-HF |
| 6 | 117-3033-03 | 1 | Support-Muffler |
| 7 | 3234-42 | 3 | Screw-HHF |



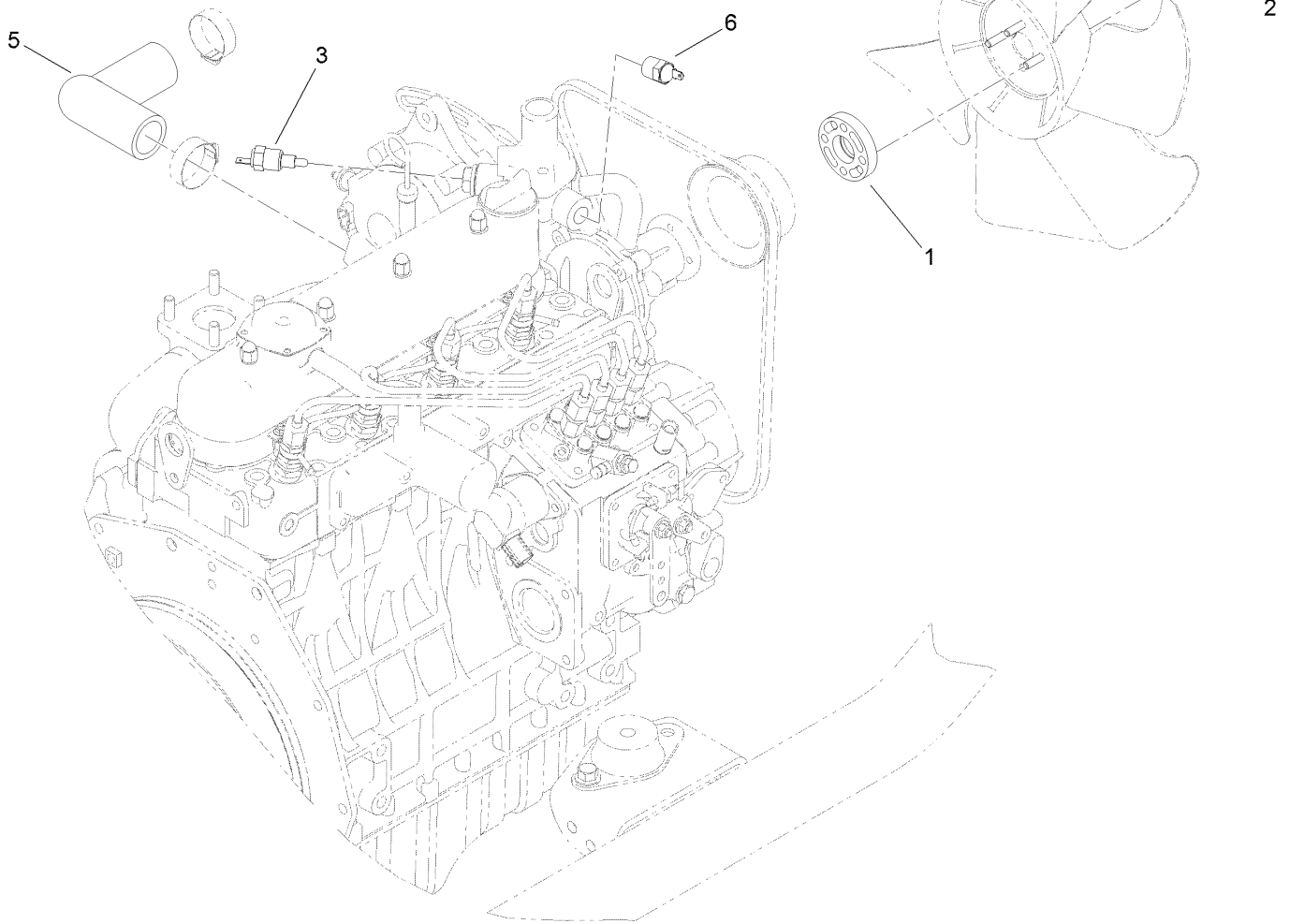
Battery and Fuel Delivery Assembly

| Ref. | Part Number | Qty. | Description | Ref. | Part Number | Qty. | Description |
|------|-------------|------|-------------------------|------|-------------|------|----------------------------|
| 1 | 106-5187 | 1 | Battery-Dry | 18 | 99-3441 | 1 | Harness-Wire, Fusible Link |
| 2 | 117-3027 | 1 | Tray-Battery | 19 | 2412-80 | 1 | Clamp-Hose |
| 3 | 66-2490 | 1 | Retainer-Battery | 20 | 110-9044 | 1 | Separator-Filter |
| 4 | 104-8301 | 1 | Nut-Flange, NI | 20:1 | 110-9049 | 1 | Filter-Spin On |
| 5 | 109-0274 | 1 | Hose-Fuel | 21 | 353-781 | 2 | Fitting-Elbow |
| 6 | 3231-6 | 1 | Screw-CARR | 22 | 92-2379 | 6 | Clamp-Hose |
| 7 | 105-0040 | 1 | Cable-Battery, Negative | 23 | 32180-030 | 2 | Clip-Tie |
| 8 | 104-0086 | 1 | Cable-Battery, Positive | 24 | 110-8806 | 1 | Pump-Fuel |
| 9 | 3234-17 | 2 | Screw-HHF | 25 | 110-8817 | 1 | Bracket-Pump, Fuel |
| 10 | 3255-8 | 2 | Washer-Lock | 26 | 321-15 | 1 | Screw-HH |
| 11 | 104-8300 | 2 | Nut-Flange, NI | 27 | 104-7201 | 1 | Nut-Flange, NI |
| 12 | 32128-25 | 2 | Nut-HF | 28 | 110-4105 | 1 | Hose-Fuel |
| 13 | 3290-378 | 2 | Tie-Cable | 29 | 110-3958 | 1 | Hose-Fuel |
| 14 | 3290-379 | 1 | Tie-Cable | 30 | 110-3257 | 1 | Hose-Fuel |
| 15 | 33014-00 | 1 | Nut-Hex | 31 | 322-6 | 2 | Screw-HH |
| 16 | 3253-4 | 1 | Washer-Lock | 32 | 3256-23 | 2 | Washer-Flat |
| 17 | 2412-108 | 1 | Clamp-Worm | | | | |



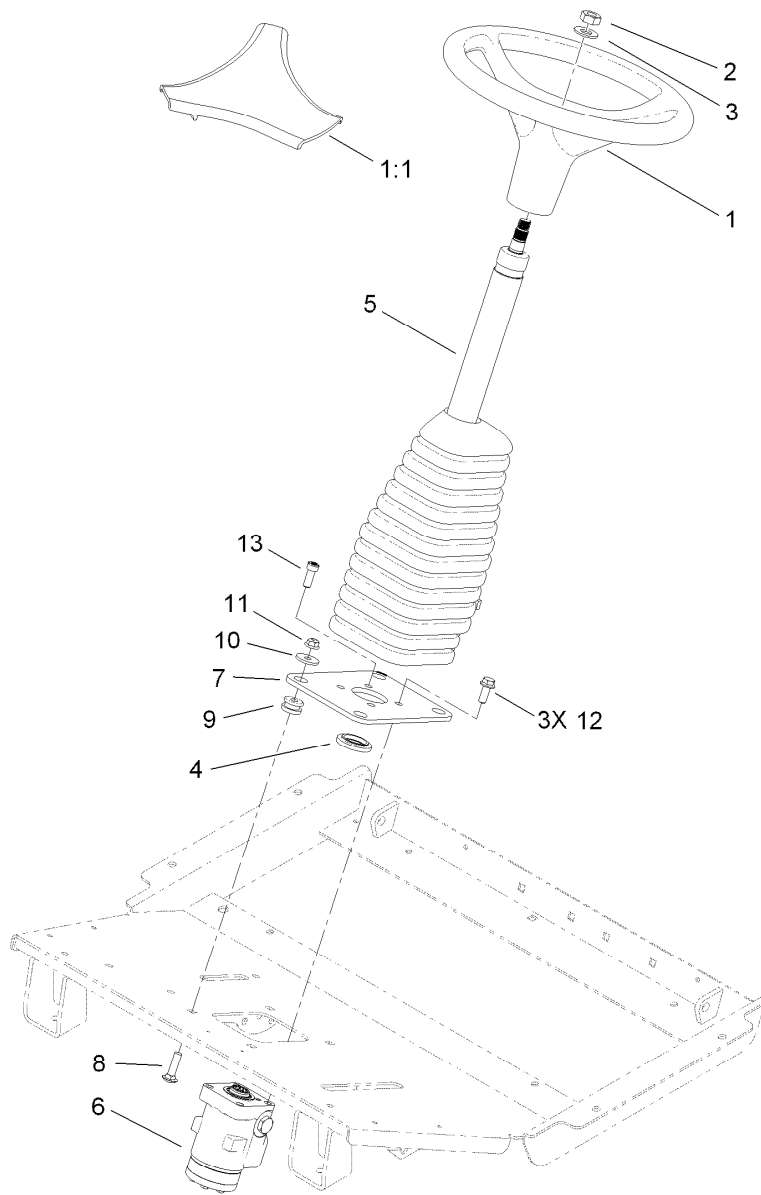
Air Cleaner Assembly

| Ref. | Part Number | Qty. | Description |
|-------------|--------------------|-------------|-------------------------|
| 1 | 104-3428 | 1 | Air Cleaner ASM |
| 1:1 | 105-4292 | 1 | Nipple-Pipe |
| 1:2 | 104-0497 | 1 | Cover |
| 1:5 | 104-4897 | 1 | Gasket |
| 1:6 | 98-4525 | 1 | Bracket-Cleaner, Air |
| 1:7 | 104-0498 | 1 | Valve-Vacuator |
| 1:8 | 108-3810 | 1 | Filter-Air |
| 1:9 | 93-9164 | 1 | Indicator-Mini |
| 2 | 117-3020 | 1 | Hose-Air Intake, Engine |
| 3 | 117-3021 | 1 | Hose-Inlet, Air |
| 4 | 2412-130 | 4 | Clamp-Hose |
| 5 | 104-8300 | 4 | Nut-Flange, NI |
| 6 | 3234-17 | 2 | Screw-HHF |
| 8 | 3230-7 | 2 | Bolt-CARR |
| 9 | 131-3399-03 | 1 | Plate-Cleaner, Air |



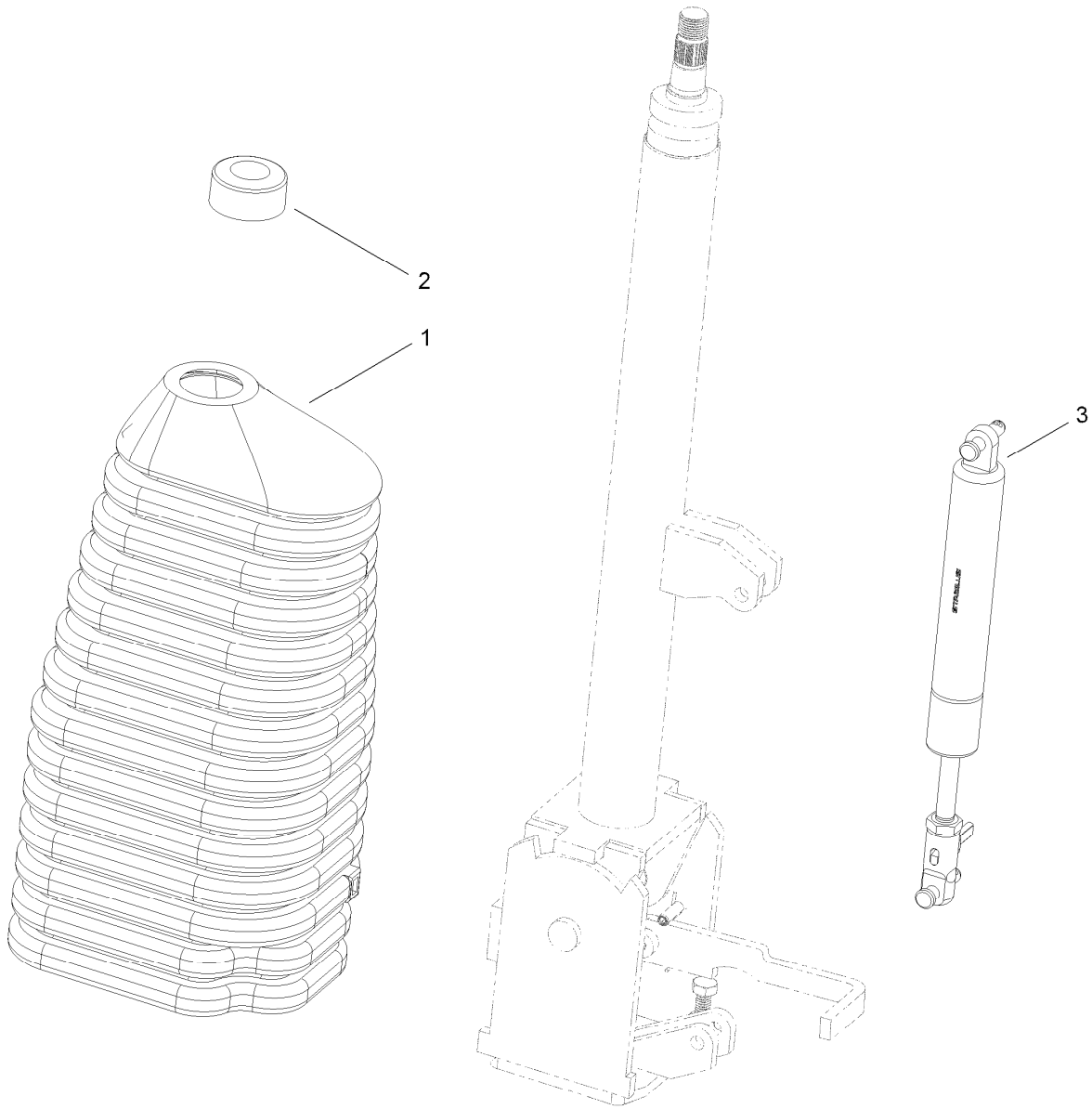
Fan Spacer and Thermoswitch Assembly

| <i>Ref.</i> | <i>Part Number</i> | <i>Qty.</i> | <i>Description</i> |
|-------------|--------------------|-------------|----------------------|
| 1 | 104-4247 | 1 | Spacer-Fan |
| 2 | 33103-020 | 4 | Screw-HHF |
| 3 | 98-9719 | 1 | Thermoswitch |
| 5 | 115-0331 | 1 | Hose-Radiator, Lower |
| 6 | 112-0183 | 1 | Switch-Thermometer |



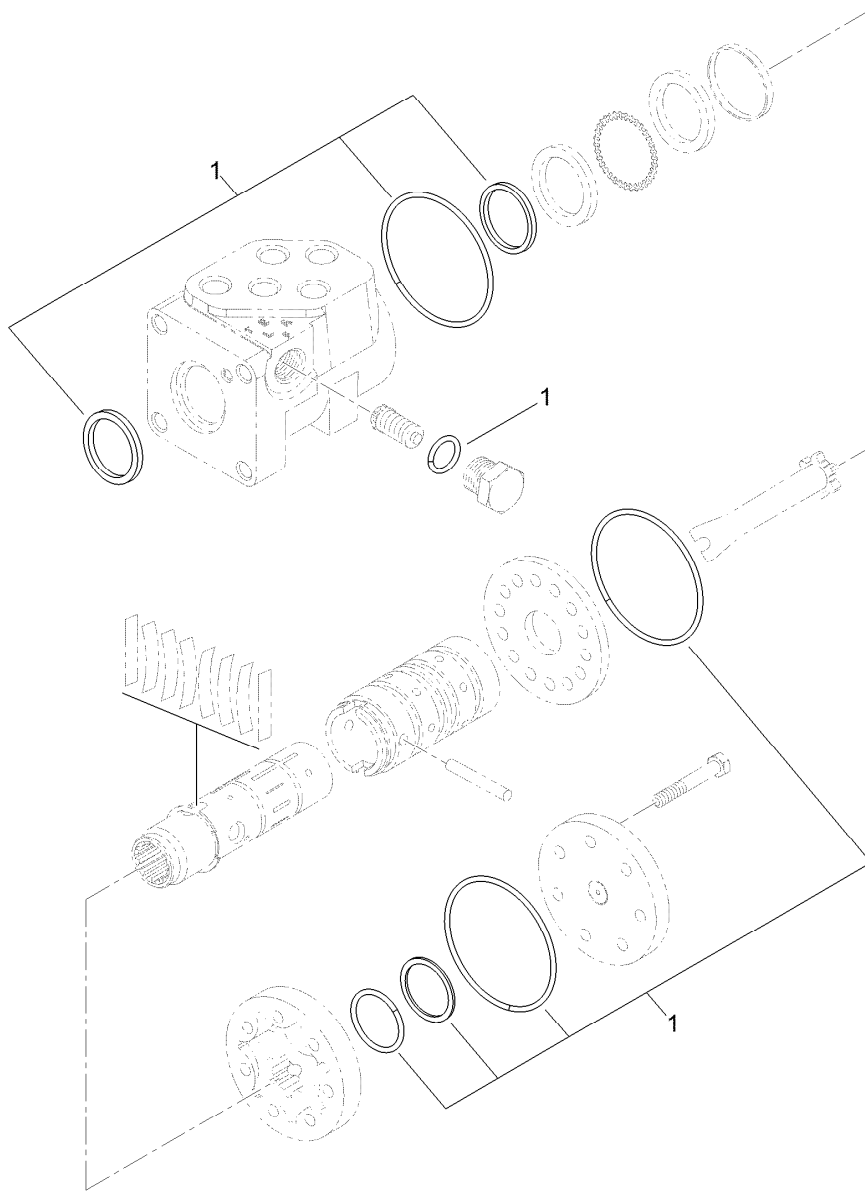
Steering Column Assembly

| Ref. | Part Number | Qty. | Description |
|------|-------------|------|-------------------------|
| 1 | 98-1471 | 1 | Wheel-Steering |
| 1:1 | 98-1468 | 1 | Cover-Wheel, Steering |
| 2 | 3296-33 | 1 | Nut-Lock, NI |
| 3 | 3256-27 | 1 | Washer-Flat |
| 4 | 117-3373 | 1 | Bushing-Alignment |
| 5 | 117-3371 | 1 | Column-Steering |
| 6 | 130-7948 | 1 | Valve-Control, Steering |
| 7 | 117-3234-03 | 1 | Plate-Steering |
| 8 | 3231-26 | 4 | Screw-CARR |
| 9 | 63-9750 | 4 | Mount |
| 10 | 63-8410 | 4 | Washer |
| 11 | 104-8301 | 4 | Nut-Flange, NI |
| 12 | 108-1531 | 3 | Screw-HHF |
| 13 | 3273-41 | 1 | Screw-HSH |



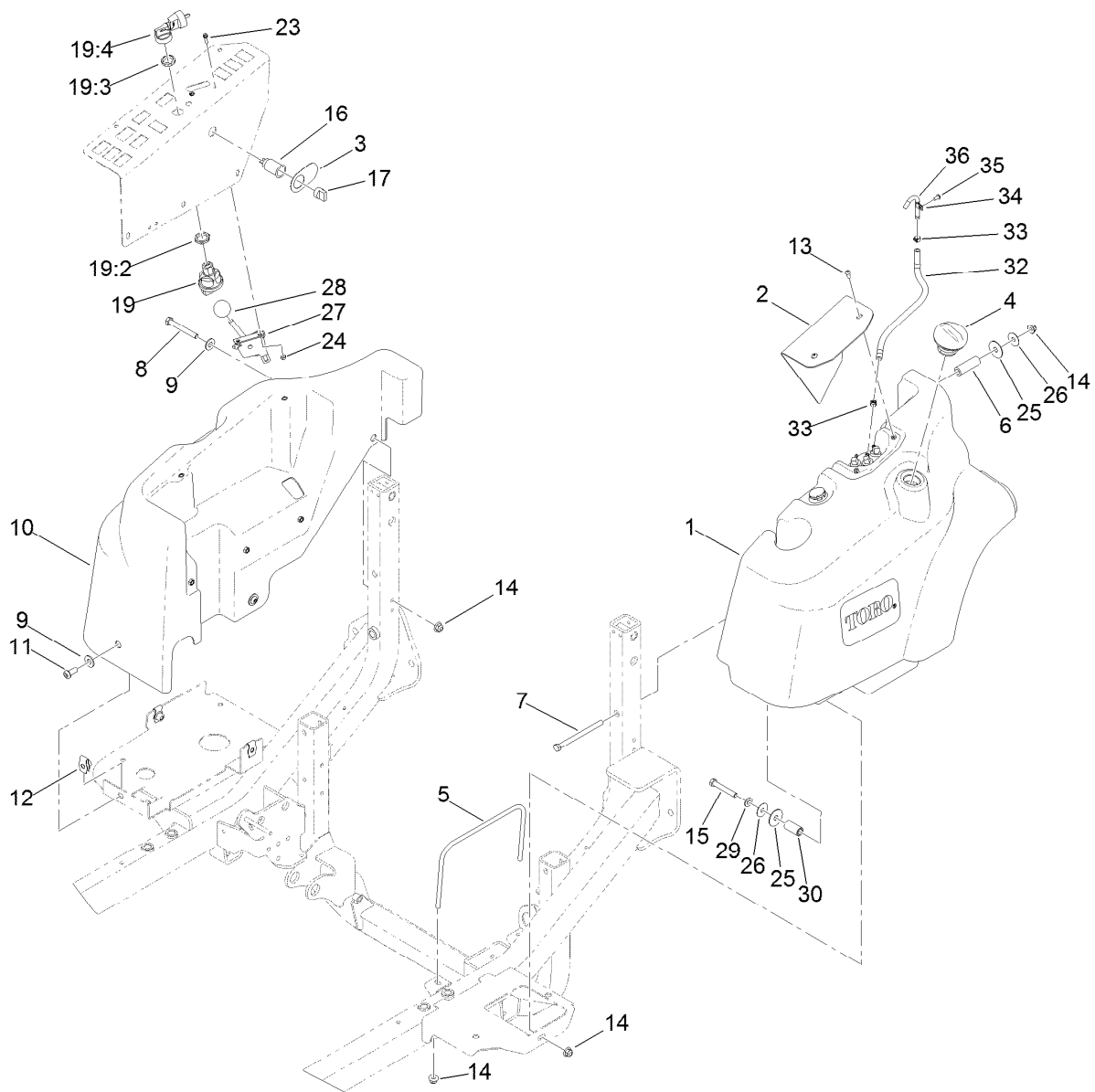
Steering Column Assembly No. 117-3371

| <i>Ref.</i> | <i>Part Number</i> | <i>Qty.</i> | <i>Description</i> |
|-------------|--------------------|-------------|----------------------|
| 1 | 120-2592 | 1 | Boot-Rubber, Column |
| 2 | 120-2593 | 1 | Boot-Rubber, Bearing |
| 3 | 120-2594 | 1 | Gas Spring ASM |



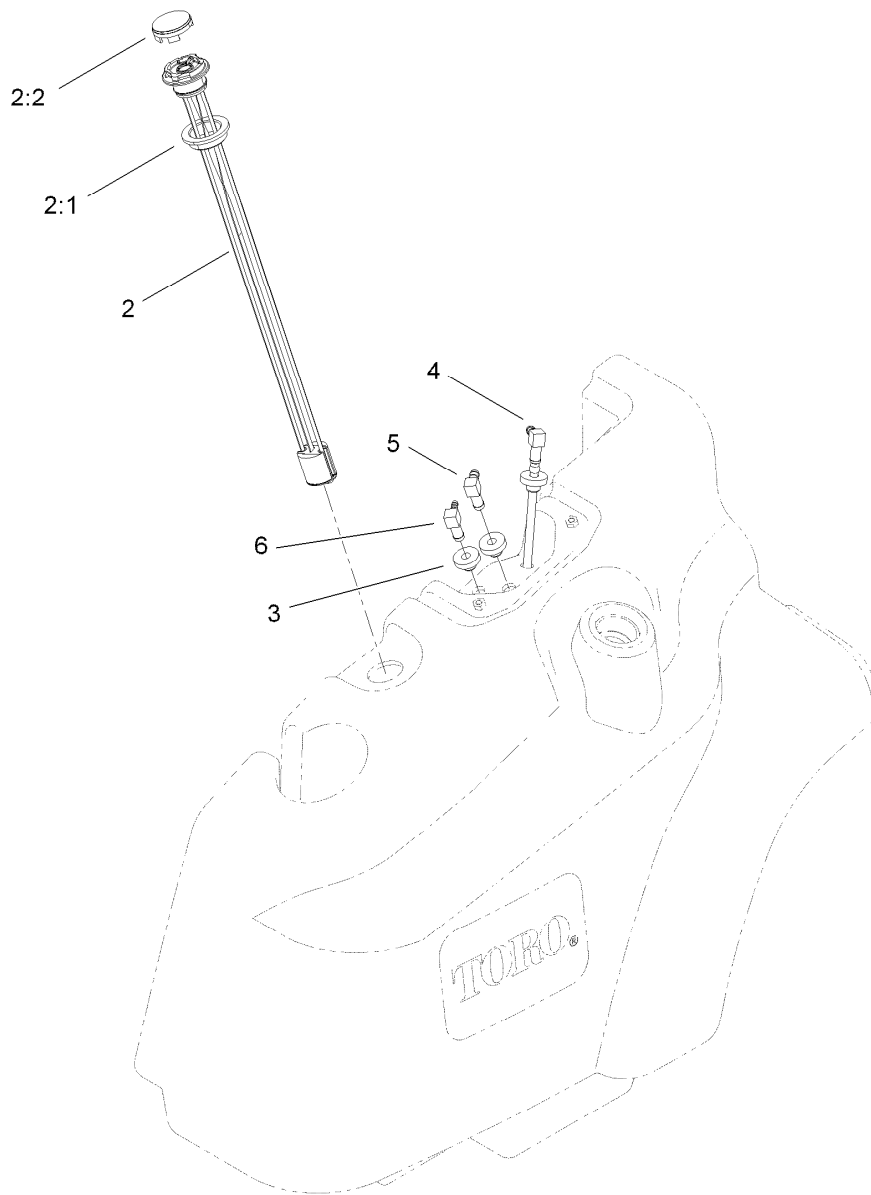
Steering Valve Assembly No. 130-7948

| <i>Ref.</i> | <i>Part Number</i> | <i>Qty.</i> | <i>Description</i> |
|-------------|--------------------|-------------|--------------------|
| 1 | 130-8357 | 1 | Seal Kit |



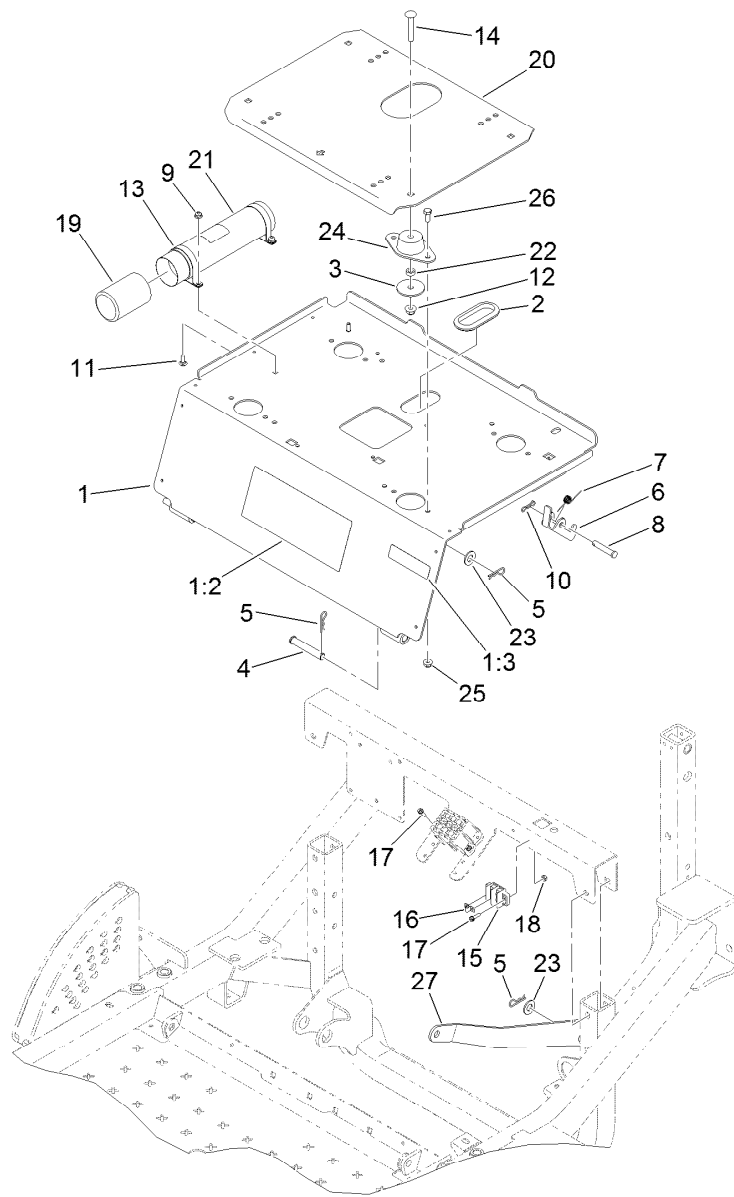
Fuel Tank and Control Panel Component Assembly

| Ref. | Part Number | Qty. | Description | Ref. | Part Number | Qty. | Description |
|------|-------------|------|------------------|------|-------------|------|---------------------|
| 1 | 120-0255 | 1 | Fuel Tank ASM | 19 | 121-5159 | 1 | Ignition Switch ASM |
| 2 | 117-3359-03 | 1 | Plate-Cover | 19:2 | 121-5160 | 1 | Nut-Hex |
| 3 | 106-2353 | 1 | Decal-Powerpoint | 19:3 | 121-5161 | 1 | Nut-Face |
| 4 | 115-5305 | 1 | Cap-Fuel | 19:4 | 121-5162 | 1 | Ignition Key Set |
| 5 | 117-3394 | 1 | Bracket-Tank | 23 | 32105-13 | 2 | Screw-HWH |
| 6 | 117-3387 | 1 | Tube-Spacer | 24 | 3296-2 | 2 | Nut-Lock, NI |
| 7 | 323-39 | 1 | Screw-HH | 25 | 95-1905 | 2 | Washer-Rubber |
| 8 | 323-14 | 1 | Screw-HH | 26 | 105-6814 | 2 | Washer-Plain |
| 9 | 100-7403 | 4 | Washer-Flat | 27 | 110-5547 | 1 | Lever-Control |
| 10 | 117-3353 | 1 | Cover-Tank, HYD | 28 | 233-42 | 1 | Knob |
| 11 | 3274-94 | 3 | Screw-HSBH | 29 | 3256-24 | 1 | Washer-Flat |
| 12 | 105-4886 | 3 | Nut-Tinnerman | 30 | 110-3726 | 1 | Spacer |
| 13 | 3274-31 | 2 | Screw-HSBH | 32 | 110-4101 | 1 | Hose-Fuel |
| 14 | 104-8301 | 5 | Nut-Flange, NI | 33 | 92-2379 | 2 | Clamp-Hose |
| 15 | 323-12 | 1 | Screw-HH | 34 | 2412-89 | 1 | Clamp-R |
| 16 | 99-7411 | 1 | Point-Power | 35 | 3290-412 | 1 | Rivet |
| 17 | 99-7416 | 1 | Cap | 36 | 120-6820 | 1 | Tube-Vent |



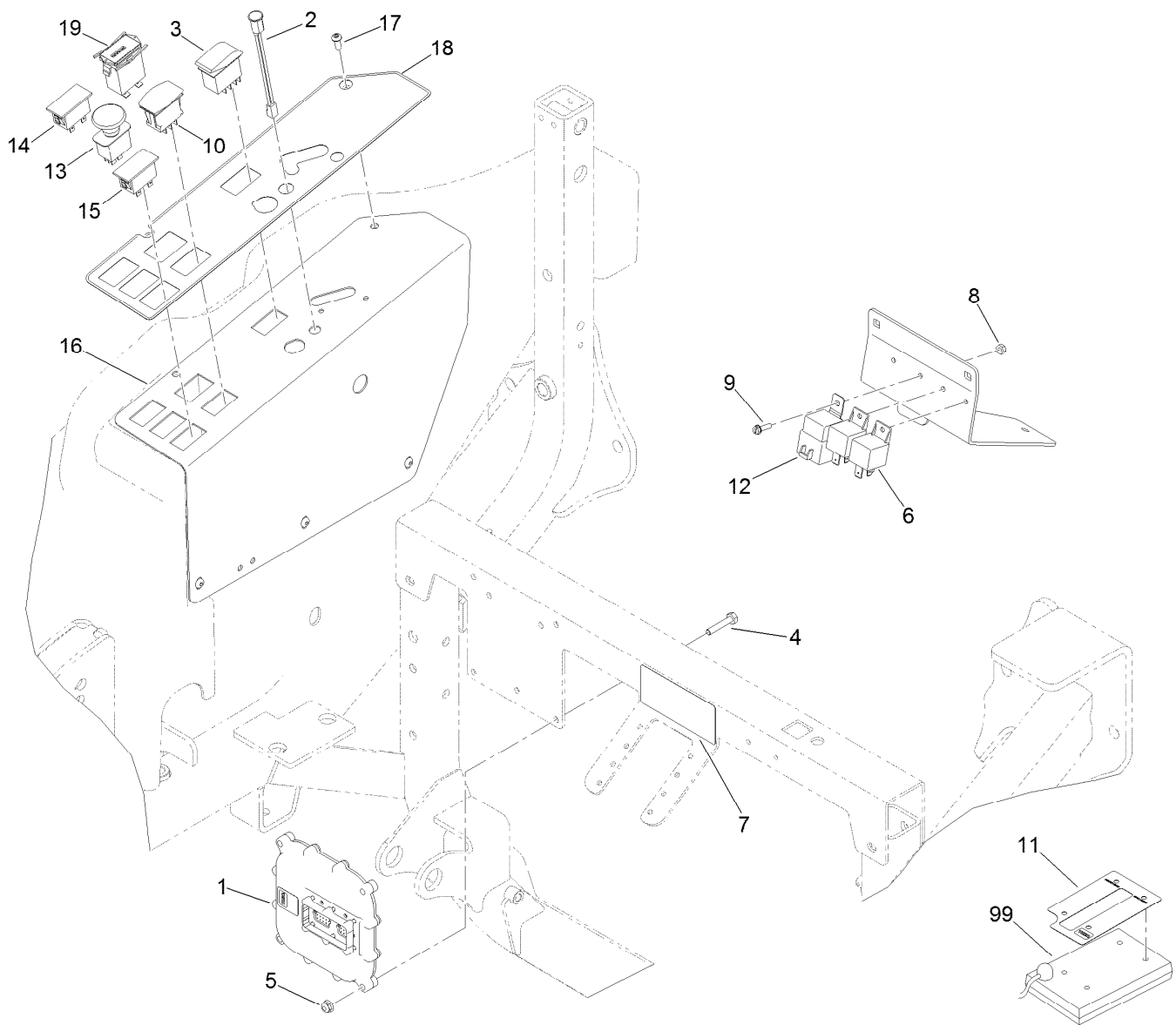
Fuel Tank Assembly No. 120-0255

| <i>Ref.</i> | <i>Part Number</i> | <i>Qty.</i> | <i>Description</i> |
|-------------|--------------------|-------------|-----------------------|
| 2 | 117-3238 | 1 | Gauge-Fuel |
| 2:1 | 119-0508 | 1 | Seal |
| 2:2 | 117-8404 | 1 | Dial-Gauge |
| 3 | 46-6560 | 3 | Bushing |
| 4 | 117-3370 | 1 | Pipe-Stand |
| 5 | 46-6550 | 1 | Fitting-Elbow, 90 DEG |
| 6 | 104-5228 | 1 | Fitting-Elbow, 90 DEG |



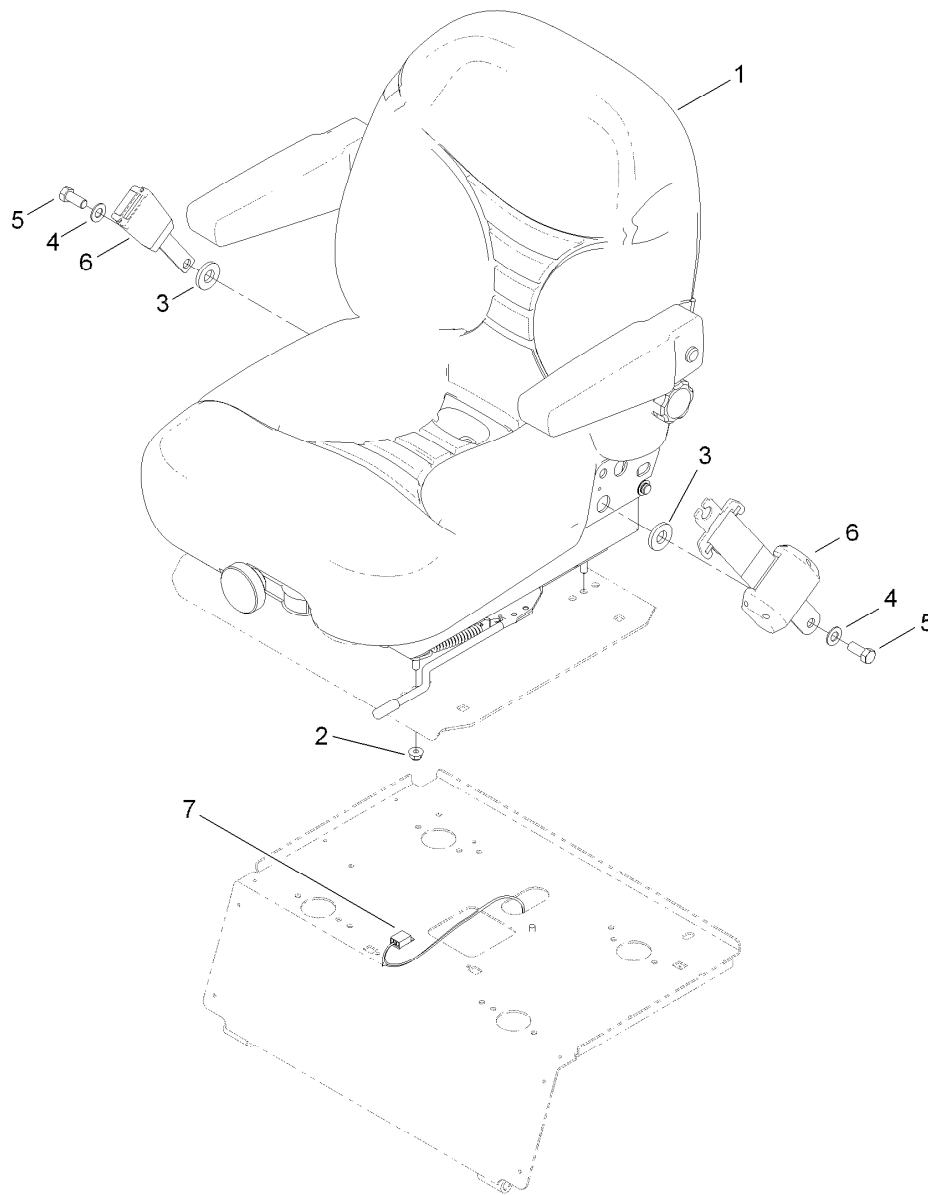
Seat Plate Assembly

| <i>Ref.</i> | <i>Part Number</i> | <i>Qty.</i> | <i>Description</i> | <i>Ref.</i> | <i>Part Number</i> | <i>Qty.</i> | <i>Description</i> |
|-------------|--------------------|-------------|--------------------------|-------------|--------------------|-------------|------------------------|
| 1 | 120-0244 | 1 | Seat Plate ASM | 14 | 3231-40 | 4 | Bolt-CARR, Short Neck |
| 1:2 | 117-3273 | 1 | Decal-Operation, Warning | 15 | 42862 | 1 | Block-Terminal, Ground |
| 1:3 | 117-2718 | 1 | Decal-Arrester, Spark | 16 | 42863 | 1 | Strip-Jumper |
| 2 | 237-164 | 1 | Grommet | 17 | 32105-13 | 4 | Screw-HWH |
| 3 | 83-1040 | 4 | Washer-Flat | 18 | 3296-2 | 4 | Nut-Lock, NI |
| 4 | 283-55 | 2 | Pin-Clevis | 19 | 104-7048 | 1 | Cap-Housing |
| 5 | 3290-467 | 4 | Pin-Hair | 20 | 117-3065-03 | 1 | Plate-Seat |
| 6 | 117-3067 | 1 | Latch-Seat | 21 | 104-7050 | 1 | Tube-Manual |
| 7 | 104-4821 | 1 | Spring-Torsion | 22 | 83-1050 | 4 | Spacer |
| 8 | 283-82 | 1 | Pin-Clevis | 23 | 3256-26 | 2 | Washer-Flat |
| 9 | 104-7201 | 2 | Nut-Flange, NI | 24 | 121-9076 | 4 | Mount-Engine |
| 10 | 119-1415 | 1 | Pin-Cotter, Locking | 25 | 104-8300 | 8 | Nut-Flange, NI |
| 11 | 3229-1 | 2 | Bolt-CARR | 26 | 322-3 | 8 | Screw-HH |
| 12 | 104-8301 | 4 | Nut-Flange, NI | 27 | 120-0242-01 | 1 | Strap-Prop |
| 13 | 107-1865 | 2 | R-Clamp | | | | |



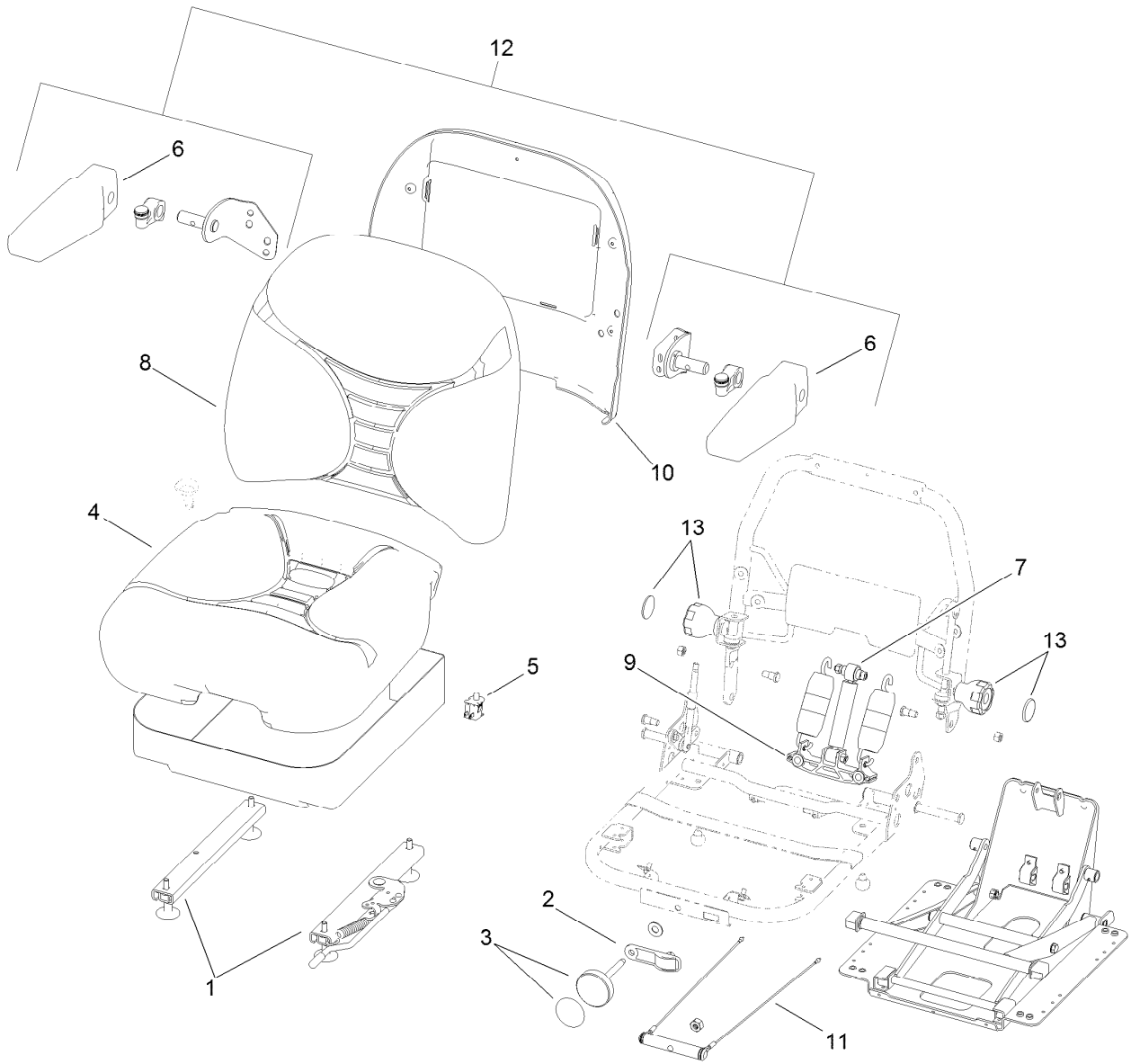
Module Control and Relay Assembly

| <i>Ref.</i> | <i>Part Number</i> | <i>Qty.</i> | <i>Description</i> | <i>Ref.</i> | <i>Part Number</i> | <i>Qty.</i> | <i>Description</i> |
|-------------|--------------------|-------------|--------------------|-------------|--------------------|-------------|--------------------------|
| 1 | 115-1900 | 1 | Controller | 11 | 120-0273 | 1 | Decal-Diagnostic, Master |
| 2 | 95-7652 | 1 | Light-Indicator | 12 | 99-7430 | 1 | Relay |
| 3 | 100-8490 | 1 | Switch-Rocker | 13 | 95-4108 | 1 | Switch-PTO,On-On-None |
| 4 | 321-13 | 4 | Screw-HH | 14 | 100-8070 | 1 | Lamp-Warning |
| 5 | 104-7201 | 4 | Nut-Flange, NI | 15 | 100-8071 | 1 | Lamp-Warning |
| 6 | 99-7435 | 2 | Relay-Power | 16 | 121-5352-03 | 1 | Panel-Control, Tank |
| 7 | 117-3233 | 1 | Decal-Fuseblock | 17 | 3274-31 | 5 | Screw-HSBH |
| 8 | 3296-2 | 3 | Nut-Lock, NI | 18 | 117-3277 | 1 | Decal-Control Panel, 4Wd |
| 9 | 32105-13 | 3 | Screw-HWH | 19 | 1-513374 | 1 | Meter-Hour |
| 10 | 100-1535 | 1 | Switch | 99 | 85-4750 | 1 | Box-Display, Diagnostic |



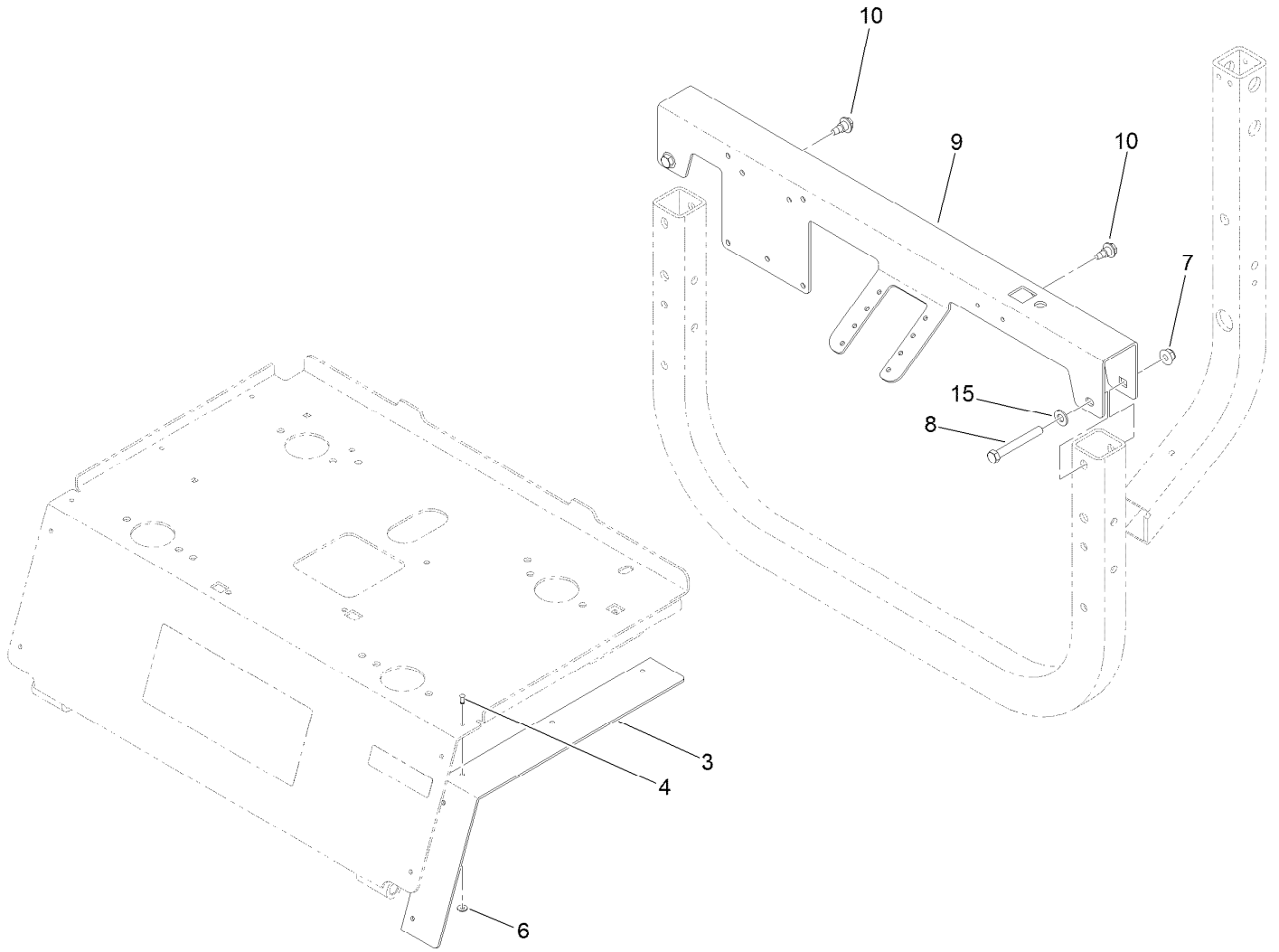
Seat Assembly

| <i>Ref.</i> | <i>Part Number</i> | <i>Qty.</i> | <i>Description</i> |
|-------------|--------------------|-------------|----------------------|
| 1 | 107-2286 | 1 | Seat |
| 2 | 104-8300 | 4 | Nut-Flange, NI |
| 3 | 99-7667 | 2 | Washer-Flat |
| 4 | 3256-25 | 2 | Washer-Flat |
| 5 | 3212-4 | 2 | Screw-HH |
| 6 | 110-0413 | 1 | Seatbelt-Retractable |
| 7 | 119-5786 | 1 | Harness-Wire |



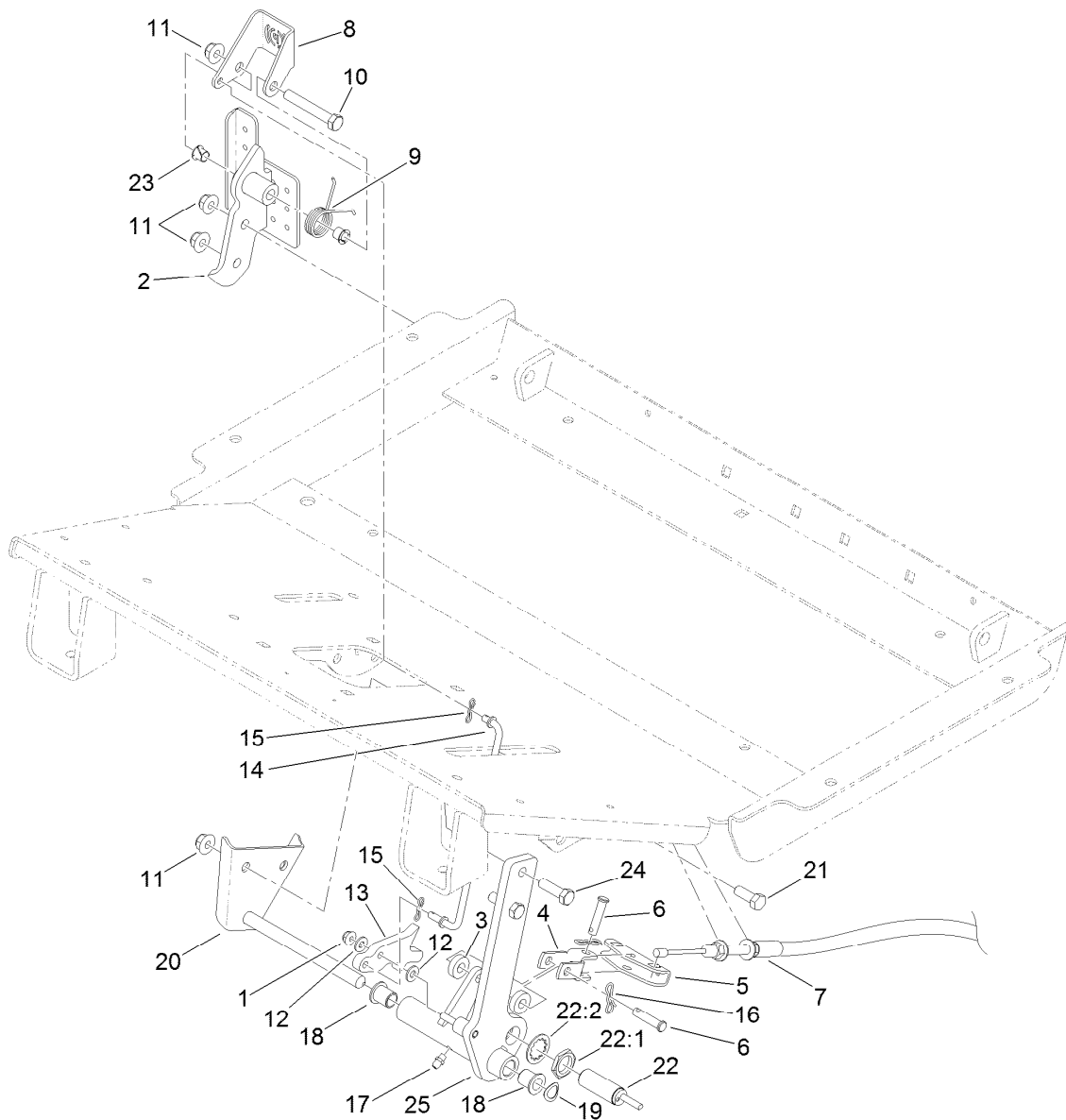
Seat Assembly No. 107-2286

| <i>Ref.</i> | <i>Part Number</i> | <i>Qty.</i> | <i>Description</i> |
|-------------|--------------------|-------------|-----------------------|
| 1 | 107-1880 | 1 | Seat Track Kit |
| 2 | 107-1885 | 1 | Weight Indicator Kit |
| 3 | 121-9431 | 1 | Knob Kit |
| 4 | 107-1883 | 1 | Bottom Cushion Kit |
| 5 | 82-2190 | 1 | Switch-Bail |
| 6 | 107-1887 | 2 | Pad-Armrest |
| 7 | 107-1884 | 1 | Shock Absorber Kit |
| 8 | 107-1882 | 1 | Back Cushion Kit |
| 9 | 109-3343 | 1 | Spring And Saddle Kit |
| 10 | 109-3344 | 1 | Back Panel Kit |
| 11 | 109-3345 | 1 | Weight Adjust Kit |
| 12 | 121-9415 | 1 | Armrest Kit |
| 13 | 121-9432 | 2 | Adjust Knob Kit |



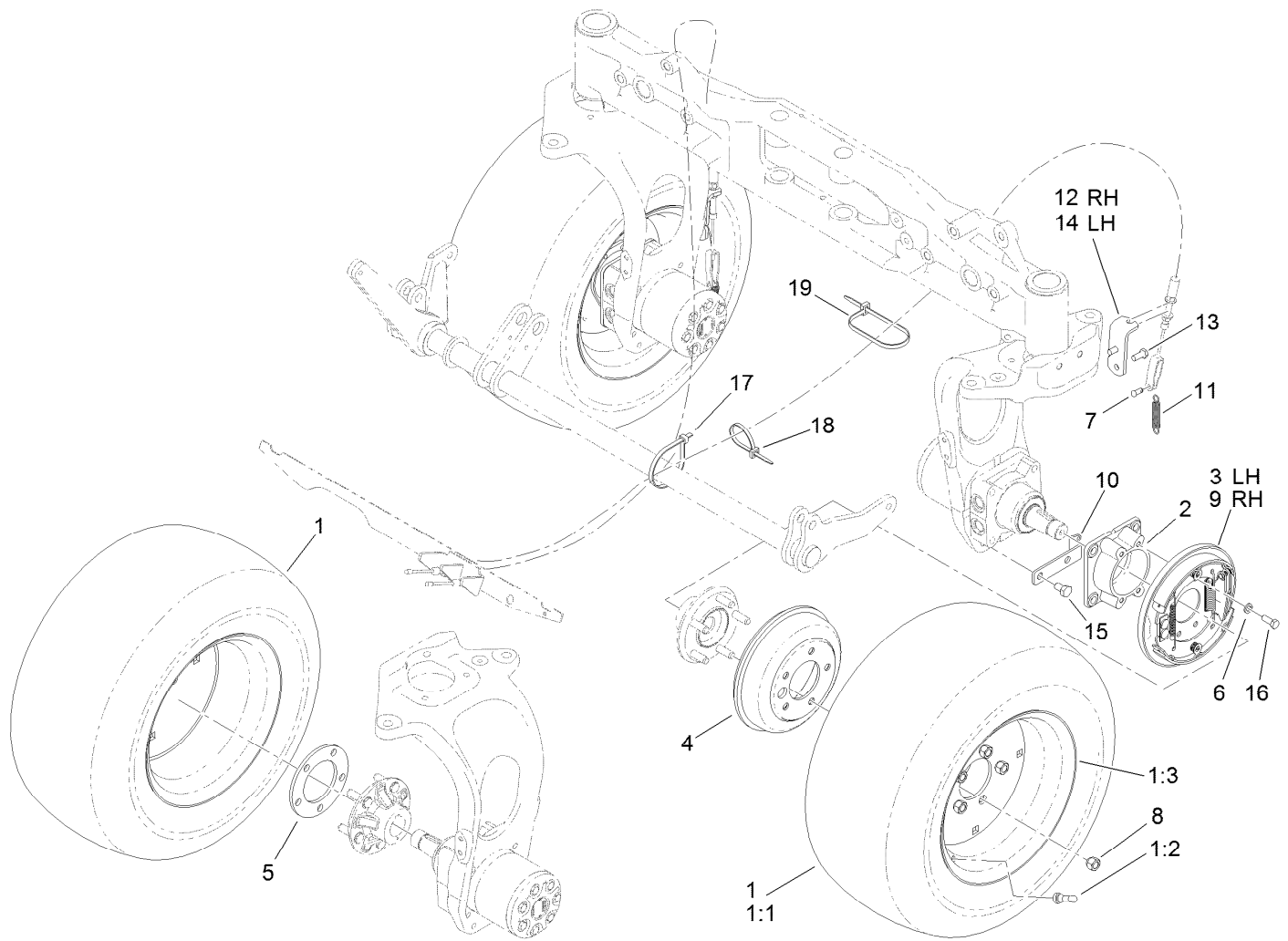
Seat Platform Assembly

| <i>Ref.</i> | <i>Part Number</i> | <i>Qty.</i> | <i>Description</i> |
|-------------|--------------------|-------------|--------------------|
| 3 | 117-3175 | 2 | Strap-Filler |
| 4 | 3290-282 | 10 | Rivet-Blind |
| 6 | 3269-26 | 10 | Washer-Plain |
| 7 | 104-8301 | 2 | Nut-Flange, NI |
| 8 | 323-14 | 2 | Screw-HH |
| 9 | 117-3064-03 | 1 | Channel-Seat |
| 10 | 99-5105 | 2 | Bolt-Shoulder |
| 15 | 3256-24 | 2 | Washer-Flat |



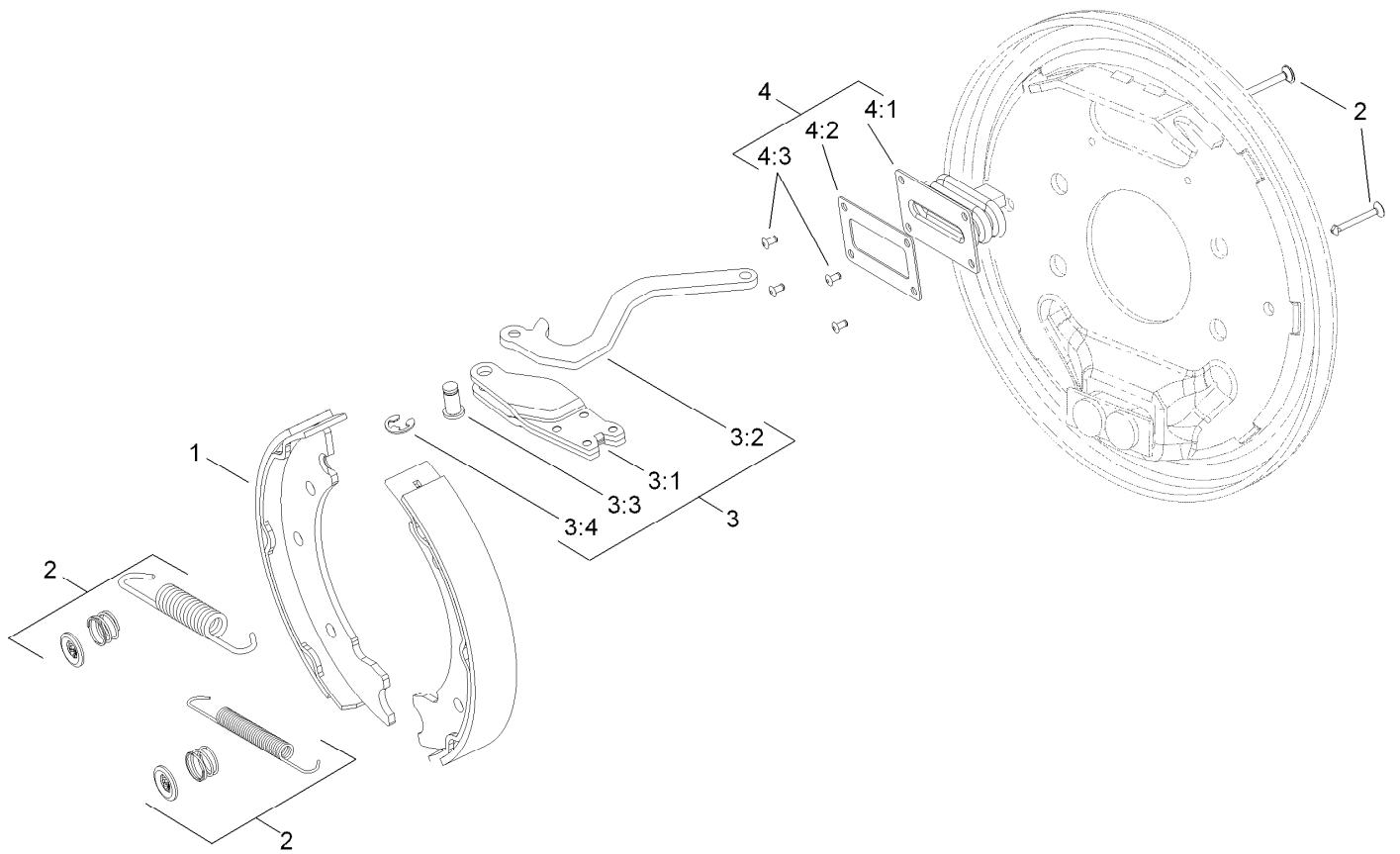
Brake Pedal Assembly

| <i>Ref.</i> | <i>Part Number</i> | <i>Qty.</i> | <i>Description</i> | <i>Ref.</i> | <i>Part Number</i> | <i>Qty.</i> | <i>Description</i> |
|-------------|--------------------|-------------|----------------------|-------------|--------------------|-------------|-----------------------------|
| 1 | 104-7201 | 1 | Nut-Flange, NI | 15 | 119-1414 | 2 | Pin-Cotter, Locking |
| 2 | 119-1403-03 | 1 | Pedal-Brake | 16 | 119-1415 | 2 | Pin-Cotter, Locking |
| 3 | 26-4840 | 2 | Spacer-Pin, Mounting | 17 | 302-5 | 1 | Fitting-Grease |
| 4 | 115-8060 | 1 | Clevis-Double | 18 | 125-8775 | 2 | Bushing-Flange |
| 5 | 115-8059 | 1 | Yoke-Cable | 19 | 3290-221 | 1 | Washer-Spring |
| 6 | 283-14 | 2 | Pin-Clevis | 20 | 119-1388 | 1 | Pin-Brake |
| 7 | 117-3214 | 2 | Cable-Brake | 21 | 323-6 | 2 | Screw-HH |
| 8 | 119-1407 | 1 | Pedal-Park | 22 | 115-5300 | 1 | Proximity Switch ASM |
| 9 | 99-7140 | 1 | Spring-Torsion | 22:1 | 117-3207 | 2 | Nut-Hex |
| 10 | 323-12 | 1 | Screw-HH | 22:2 | 117-3208 | 2 | Washer-Lock, Internal Tooth |
| 11 | 104-8301 | 5 | Nut-Flange, NI | 23 | 52-2891 | 2 | Bushing-Flanged, Nylon |
| 12 | 3256-22 | 2 | Washer-Flat | 24 | 323-7 | 2 | Screw-HH |
| 13 | 119-1406 | 1 | Detent-Brake | 25 | 119-1400-03 | 1 | Lever-Brake |
| 14 | 119-1405 | 1 | Rod-Brake Pawl | | | | |



Wheel and Brake Assembly

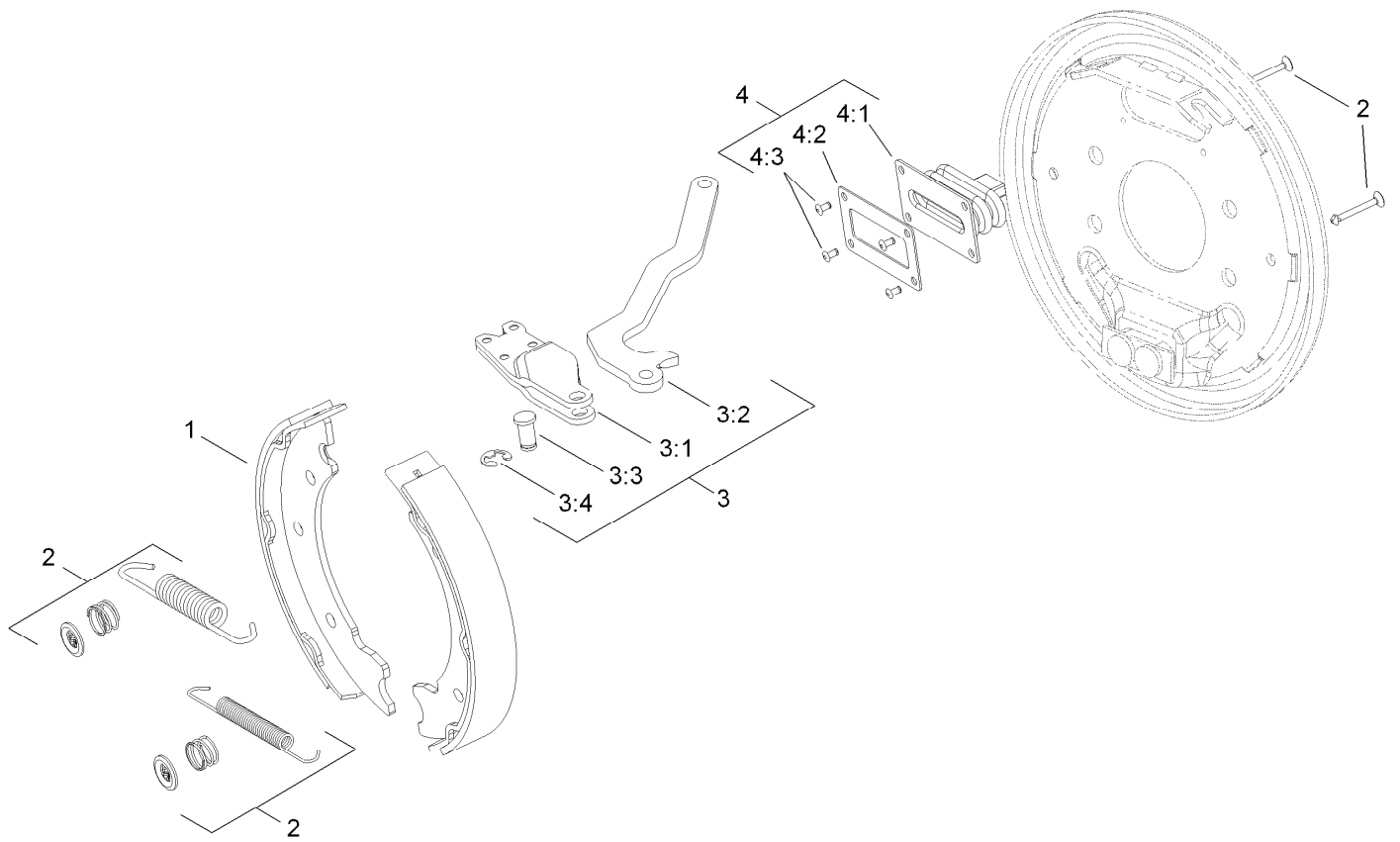
| Ref. | Part Number | Qty. | Description | Ref. | Part Number | Qty. | Description |
|------|-------------|------|--------------------|------|-------------|------|-------------------------|
| 1 | 117-2900 | 4 | Tire And Wheel ASM | 9 | 120-0233 | 1 | RH Brake ASM |
| 1:1 | 117-2901 | 1 | Tire | 10 | 115-0132 | 2 | Bracket-Spring, Return |
| 1:2 | 232-27 | 1 | Stem-Valve | 11 | 87-4020 | 2 | Spring-Extension |
| 1:3 | 117-2902 | 1 | Rim | 12 | 119-1352-03 | 1 | Bracket-Brake Cable, RH |
| 2 | 120-0248-03 | 2 | Adapter-Brake | 13 | 325-2 | 4 | Screw-HH |
| 3 | 120-0235 | 1 | LH Brake ASM | 14 | 119-1449-03 | 1 | Bracket-Brake Cable, LH |
| 4 | 114-8864 | 2 | Drum-Brake | 15 | 323-5 | 4 | Screw-HH |
| 5 | 115-0199-03 | 2 | Spacer-Wheel | 16 | 323-6 | 8 | Screw-HH |
| 6 | 3253-21 | 8 | Washer-Lock | 17 | 3334-945 | 1 | Tie-Cable |
| 7 | 283-62 | 2 | Pin-Clevis | 18 | 3290-378 | 1 | Tie-Cable |
| 8 | 242-50 | 10 | Nut-Lug | 19 | 250-5 | 1 | Tie-Cable |



Left Hand Brake Assembly No. 120-0235

| Ref. | Part Number | Qty. | Description |
|------|-------------|------|--------------------|
| 1 | 108-6981 | 1 | Brake Shoe Kit |
| 2 | 108-6983 | 1 | Brake Hardware Kit |
| 3 | 120-0236 | 1 | LH Actuator Kit |
| 3:1 | | 1 | Housing ● |
| 3:2 | | 1 | Lever-LH ● |
| 3:3 | | 1 | Pin-Pivot ● |
| 3:4 | | 1 | E-Ring ● |
| 4 | 110-8885 | 1 | Dust Boot Kit |
| 4:1 | | 1 | Boot ● |
| 4:2 | | 1 | Plate-Back Up ● |
| 4:3 | | 2 | Rivet ● |

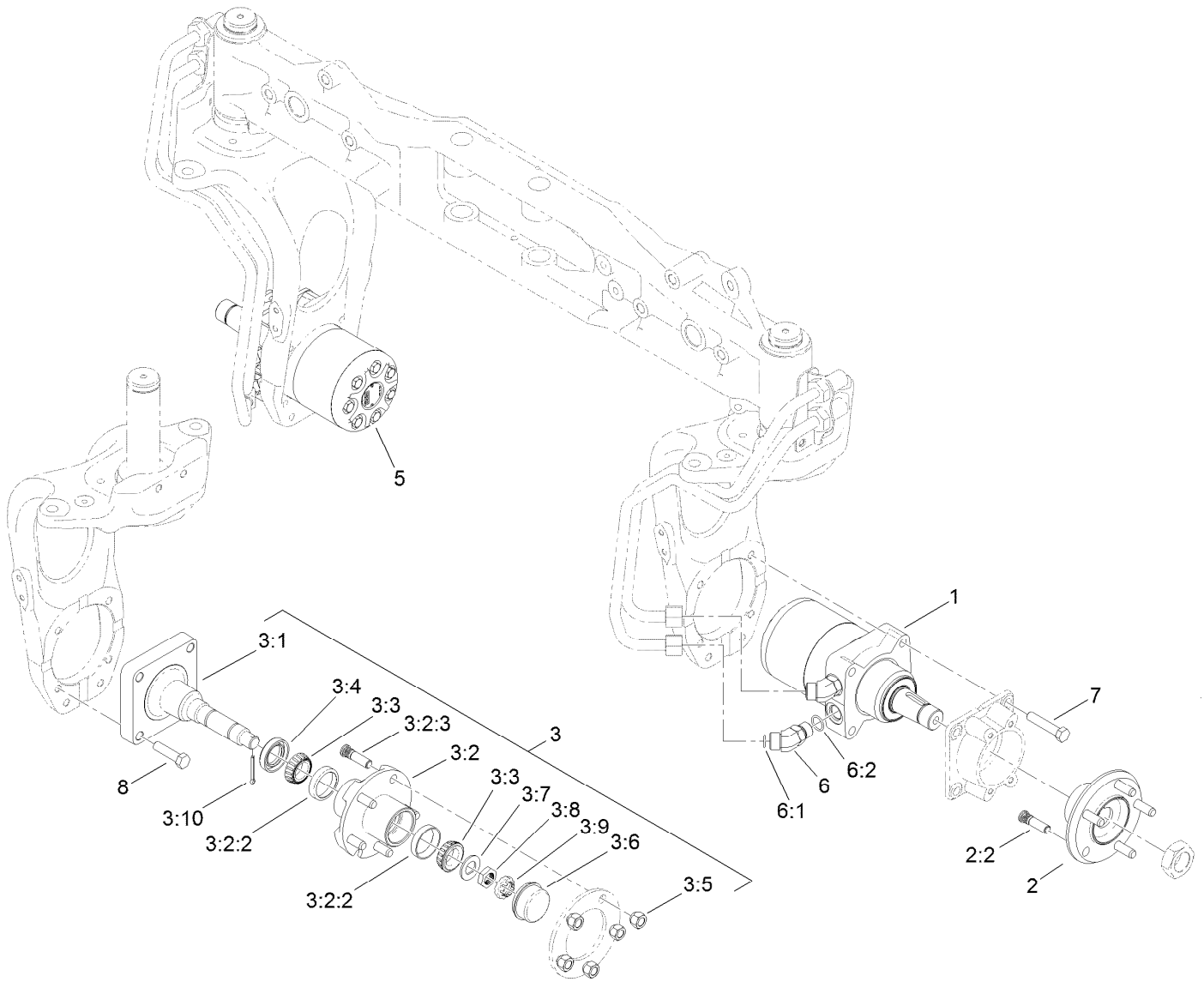
● Not serviced separately



Right Hand Brake Assembly No. 120-0233

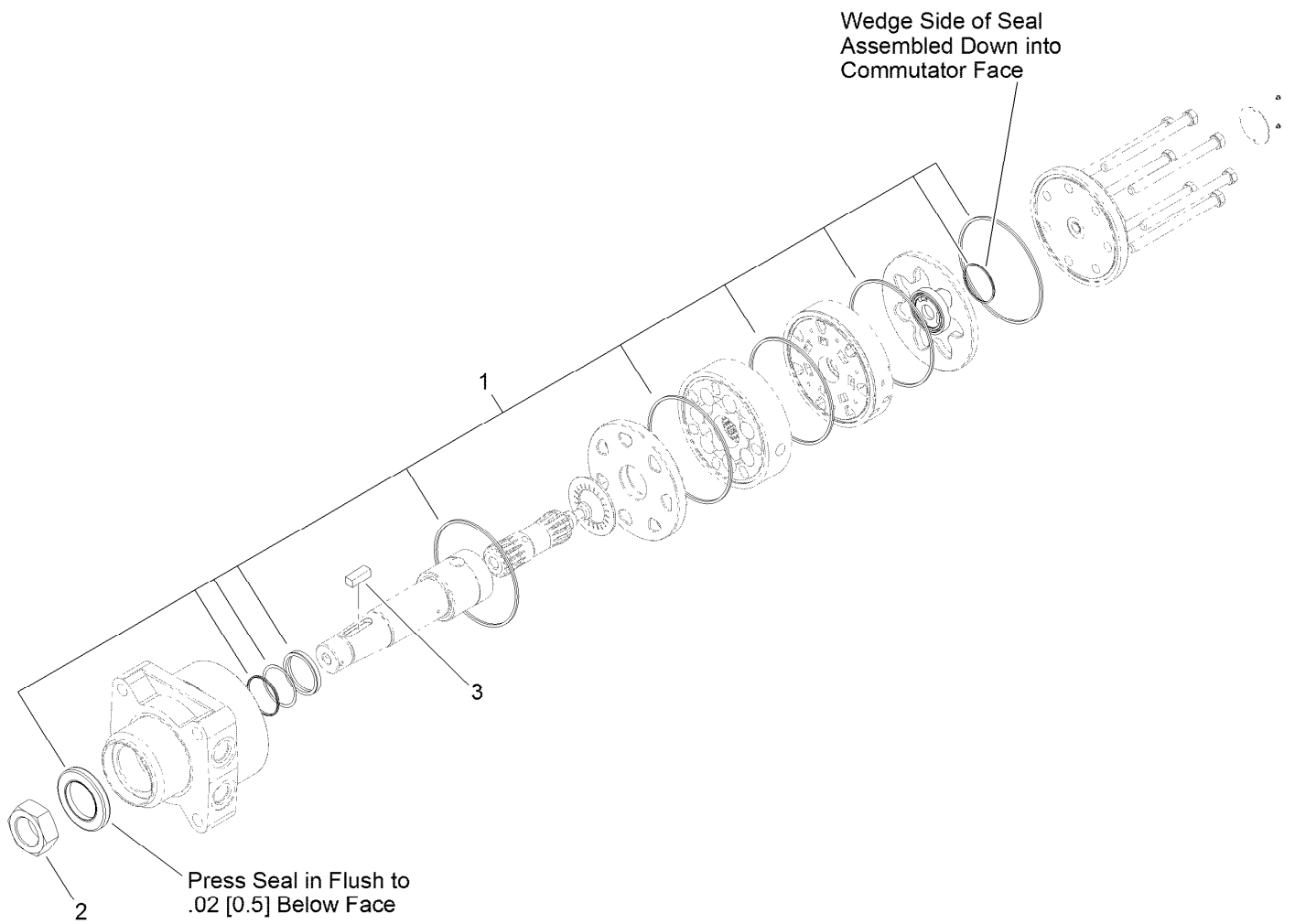
| Ref. | Part Number | Qty. | Description |
|------|-------------|------|--------------------|
| 1 | 108-6981 | 1 | Brake Shoe Kit |
| 2 | 108-6983 | 1 | Brake Hardware Kit |
| 3 | 120-0234 | 1 | RH Actuator Kit |
| 3:1 | | 1 | Housing ● |
| 3:2 | | 1 | Lever-RH ● |
| 3:3 | | 1 | Pin-Pivot ● |
| 3:4 | | 1 | E-Ring ● |
| 4 | 110-8885 | 1 | Dust Boot Kit |
| 4:1 | | 1 | Boot ● |
| 4:2 | | 1 | Plate-Back Up ● |
| 4:3 | | 2 | Rivet ● |

● Not serviced separately



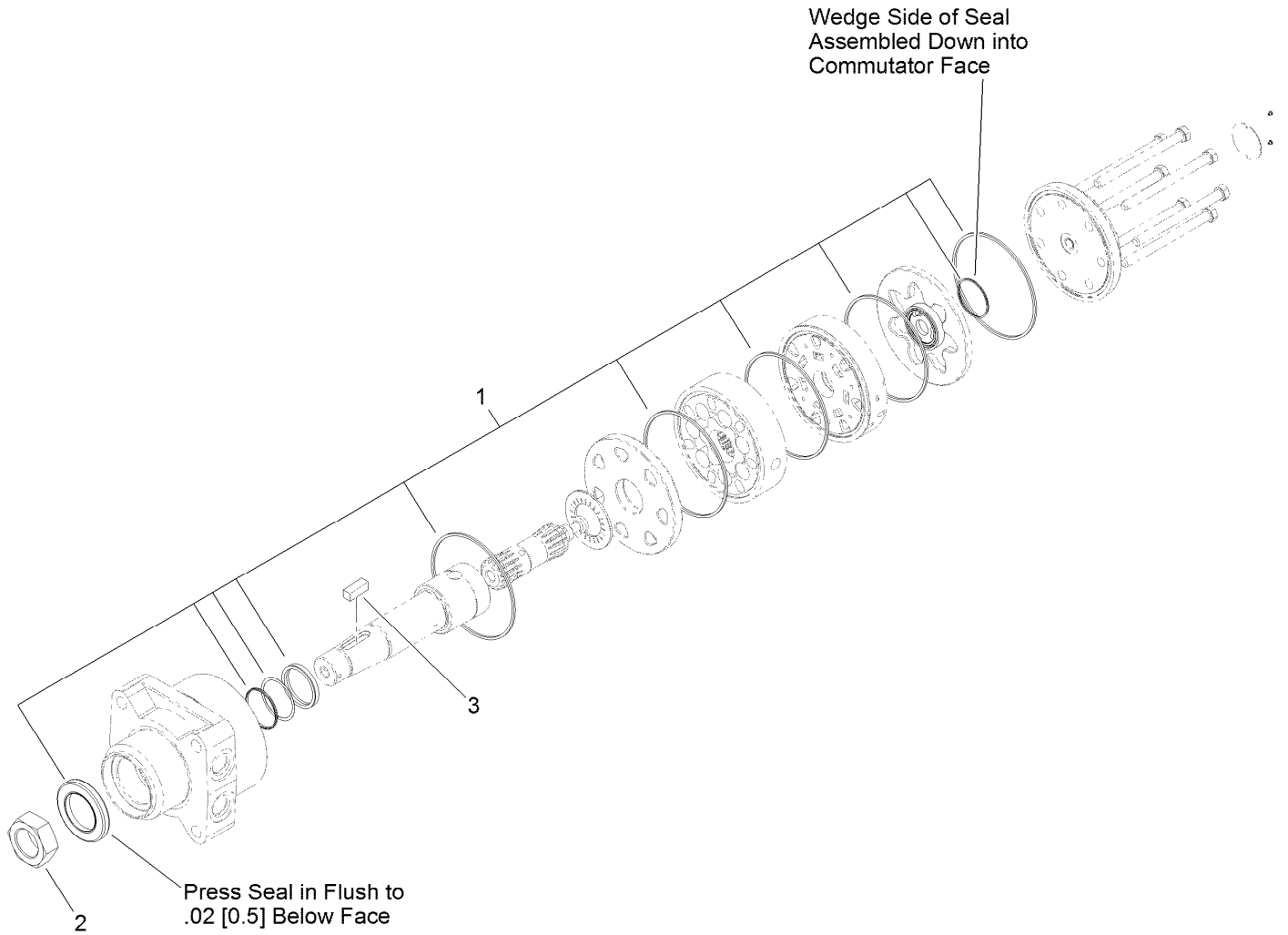
Wheel Motor and Spindle Assembly

| Ref. | Part Number | Qty. | Description | Ref. | Part Number | Qty. | Description |
|-------|-------------|------|-------------------------|------|-------------|------|------------------------|
| 1 | 117-3284 | 1 | HYD Motor ASM (280 CCW) | 3:6 | 241-119 | 1 | Cap-Dust |
| 2 | 121-5492 | 2 | Wheel Hub ASM | 3:7 | 117-8259 | 1 | Washer-Spindle |
| 2:2 | 114-3918 | 5 | Stud-Wheel | 3:8 | 117-8260 | 1 | Nut |
| 3 | 117-3237 | 2 | Hub And Spindle ASM | 3:9 | 93-0307 | 1 | Nut-Lock, Retainer |
| 3:1 | 112-7173 | 1 | Spindle | 3:10 | 3272-18 | 1 | Pin-Cotter |
| 3:2 | 117-8963 | 1 | Hub ASM | 5 | 117-3285 | 1 | HYD Motor ASM (280 CW) |
| 3:2:2 | 254-72 | 2 | Bearing-Cup, Tapered | 6 | 340-14 | 4 | Fitting-HYD, 45 DEG |
| 3:2:3 | 114-3918 | 5 | Stud-Wheel | 6:1 | 237-65 | 1 | O-Ring |
| 3:3 | 254-92 | 2 | Cone-Bearing, Outer | 6:2 | 237-80 | 1 | O-Ring |
| 3:4 | 112-1690 | 1 | Seal-Oil | 7 | 325-34 | 8 | Screw-HH |
| 3:5 | 242-50 | 5 | Nut-Lug | 8 | 60-9870 | 8 | Screw-HH |



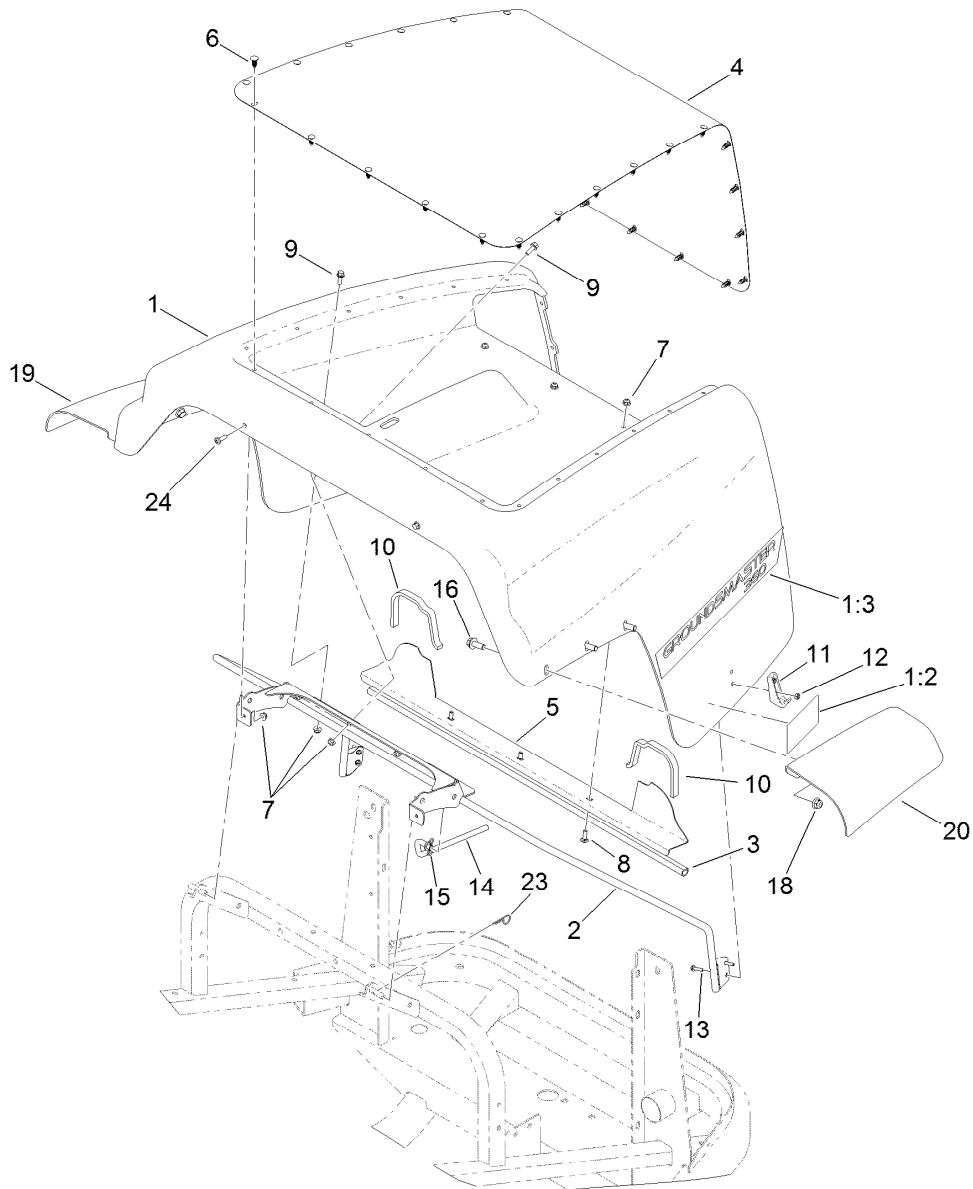
Hydraulic Motor Assembly No. 117-3284 (CCW)

| <i>Ref.</i> | <i>Part Number</i> | <i>Qty.</i> | <i>Description</i> |
|-------------|--------------------|-------------|--------------------|
| 1 | 107-9368 | 1 | Seal Kit |
| 2 | 117-3290 | 1 | Nut-Hex |
| 3 | 117-5198 | 1 | Key-Square |



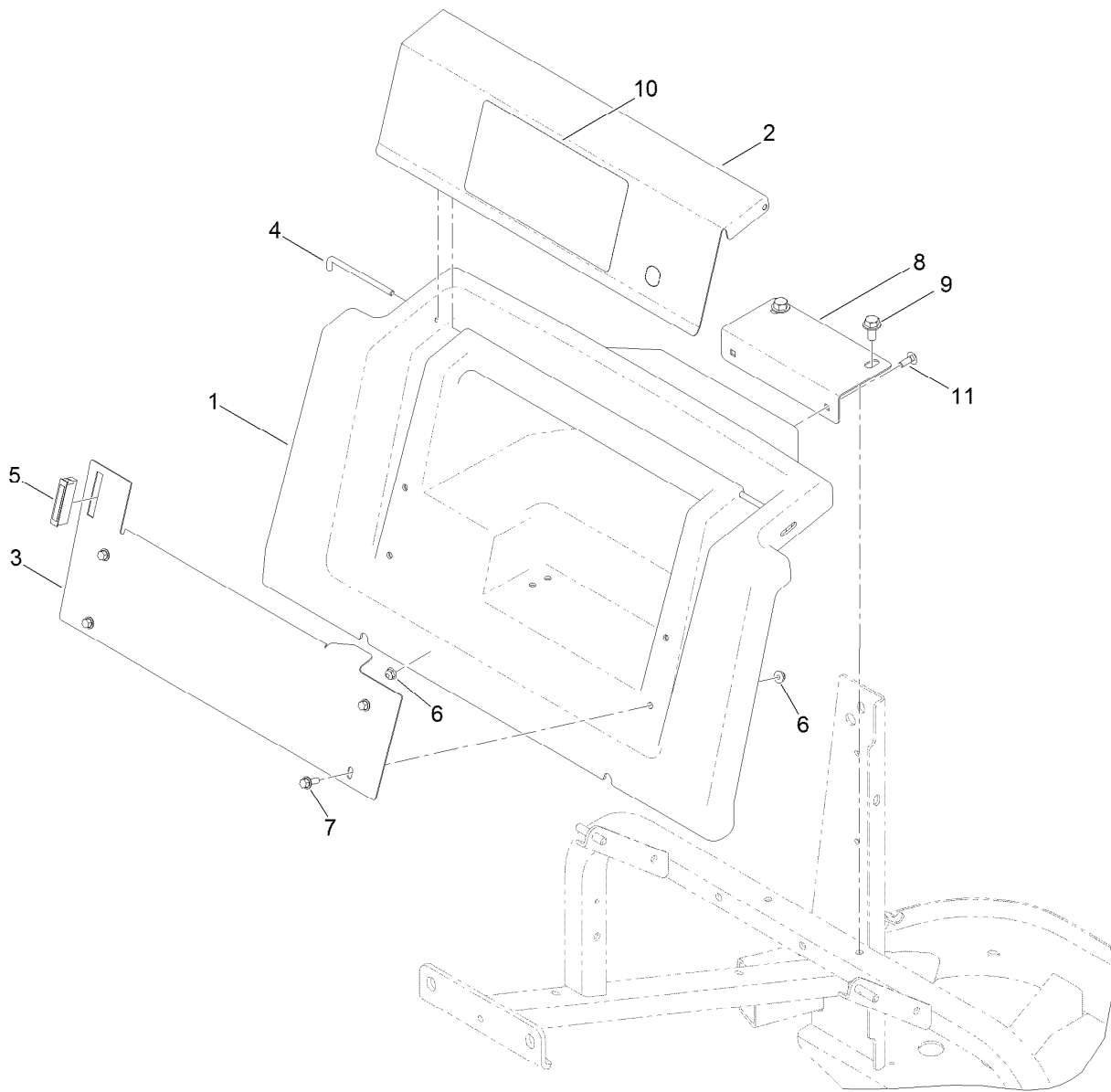
Hydraulic Motor Assembly No. 117-3285 (CW)

| <i>Ref.</i> | <i>Part Number</i> | <i>Qty.</i> | <i>Description</i> |
|-------------|--------------------|-------------|--------------------|
| 1 | 107-9368 | 1 | Seal Kit |
| 2 | 117-3290 | 1 | Nut-Hex |
| 3 | 117-5198 | 1 | Key-Square |



Hood Assembly

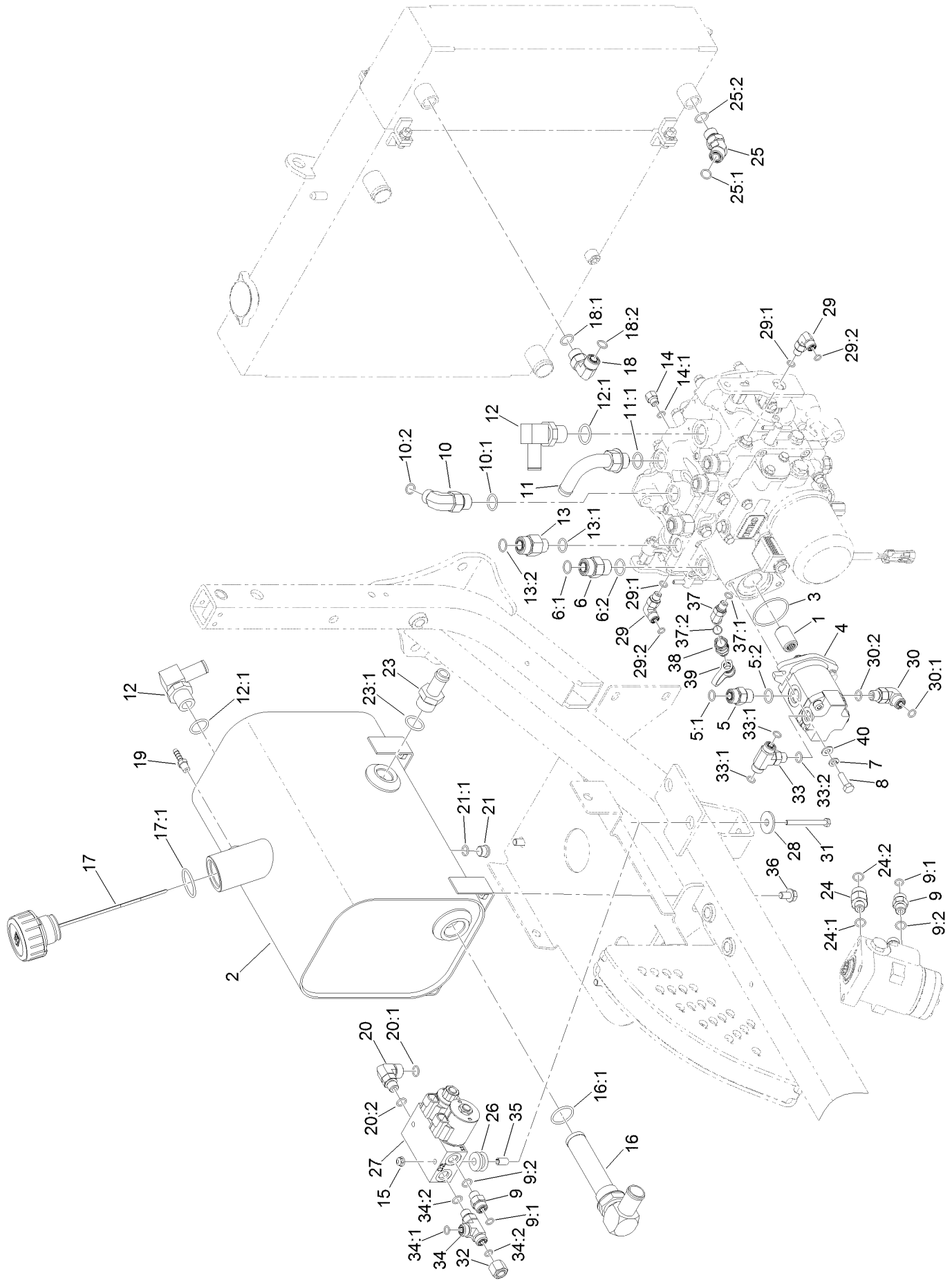
| <i>Ref.</i> | <i>Part Number</i> | <i>Qty.</i> | <i>Description</i> | <i>Ref.</i> | <i>Part Number</i> | <i>Qty.</i> | <i>Description</i> |
|-------------|--------------------|-------------|--------------------|-------------|--------------------|-------------|---------------------|
| 1 | 120-0266 | 1 | Hood ASM | 11 | 103-2897 | 2 | Latch-Catch |
| 1:2 | 117-3270 | 2 | Decal-Danger | 12 | 3296-2 | 4 | Nut-Lock, NI |
| 1:3 | 117-3279 | 2 | Decal-Hood | 13 | 32105-13 | 4 | Screw-HWH |
| 2 | 115-0364-03 | 1 | Mount-Hood | 14 | 117-3171 | 1 | Rod-Prop |
| 3 | 115-0423 | 1 | Seal-Bulb | 15 | 119-1415 | 1 | Pin-Cotter, Locking |
| 4 | 115-0370-03 | 1 | Screen | 16 | 3234-42 | 6 | Screw-HHF |
| 5 | 115-0422-03 | 1 | Seal-Hood | 18 | 104-8301 | 6 | Nut-Flange, NI |
| 6 | 117-2382 | 29 | Plug-Plastic | 19 | 117-3369 | 1 | Fender-Rear, RH |
| 7 | 104-7201 | 11 | Nut-Flange, NI | 20 | 117-3368 | 1 | Fender-Rear, LH |
| 8 | 3229-1 | 3 | Bolt-CARR | 23 | 9335054 | 1 | Pin-Hair |
| 9 | 3234-4 | 6 | Screw-HHF | 24 | 3250-32 | 2 | Screw-PPH |
| 10 | 110-8288 | 2 | Seal-Foam | | | | |



Storage Compartment Assembly

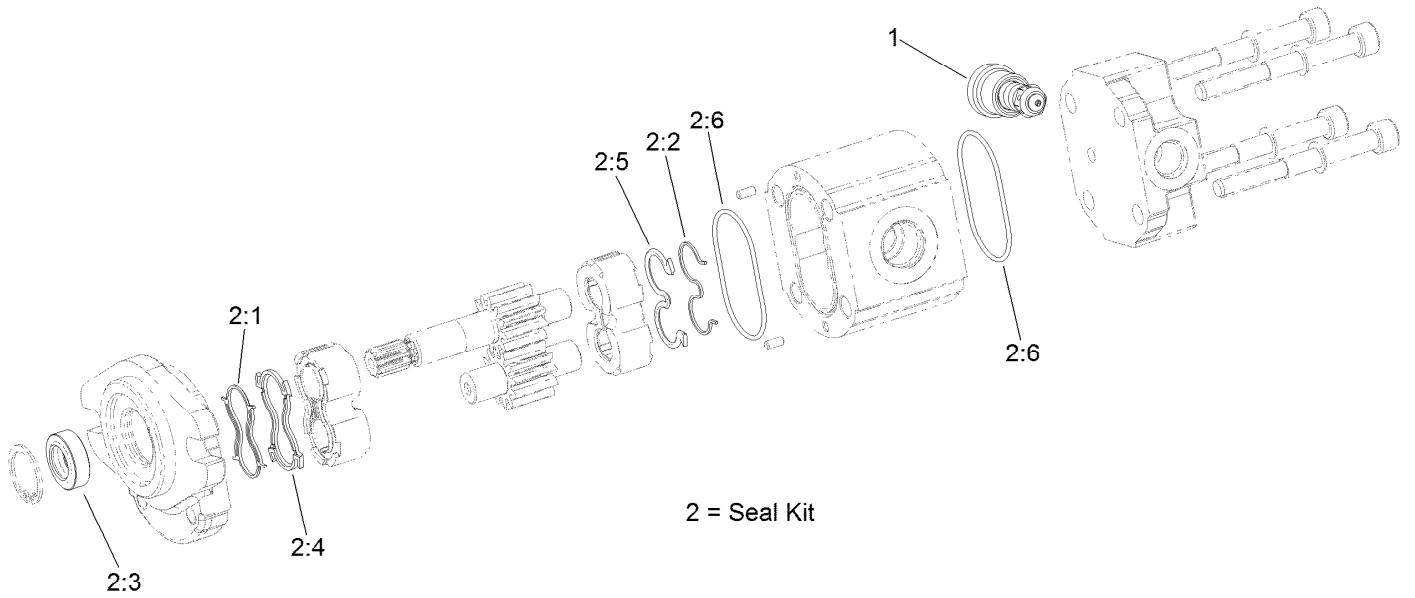
| <i>Ref.</i> | <i>Part Number</i> | <i>Qty.</i> | <i>Description</i> |
|-------------|--------------------|-------------|-----------------------------|
| 1 | 120-0222 | 1 | Housing ASM |
| 2 | 117-3185-03 | 1 | Cover-Storage |
| 3 | 117-3186-03 | 1 | Panel-Lower |
| 4 | 117-3189 | 2 | Rod-Hinge |
| 5 | 58-4250 | 1 | Catch-Magnetic |
| 6 | 104-7201 | 6 | Nut-Flange, NI |
| 7 | 3234-4 | 4 | Screw-HHF |
| 8 | 131-3362-03 | 1 | Support-Housing |
| 9 | 110-9380 | 2 | Screw-HWH |
| 10 | 120-0259 | 1 | Decal-Instructions, Service |
| 11 | 3229-1 | 2 | Bolt-CARR |

Deck Lift Valve and Hydraulic Fitting Assembly



Deck Lift Valve and Hydraulic Fitting Assembly (continued)

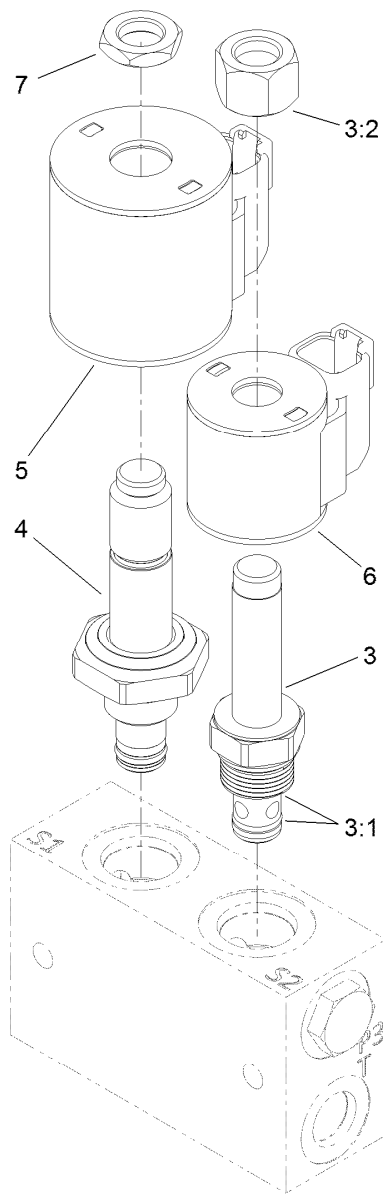
| <i>Ref.</i> | <i>Part Number</i> | <i>Qty.</i> | <i>Description</i> | <i>Ref.</i> | <i>Part Number</i> | <i>Qty.</i> | <i>Description</i> |
|-------------|--------------------|-------------|---------------------------------|-------------|--------------------|-------------|---------------------|
| 1 | 108-9920 | 1 | Coupler-Spline | 20:1 | 237-30 | 1 | O-Ring |
| 2 | 117-3372 | 1 | Tank-Hydraulic, Metal | 20:2 | 237-42 | 1 | O-Ring |
| 3 | 108-9919 | 1 | O-Ring | 21 | 353-989 | 1 | Plug-Hex, Hollow |
| 4 | 115-0375 | 1 | Gear Pump ASM | 21:1 | 237-42 | 1 | O-Ring |
| 5 | 340-4 | 1 | Fitting-Str | 23 | 354-73 | 1 | Fitting-Straight |
| 5:1 | 237-30 | 1 | O-Ring | 23:1 | 237-81 | 1 | O-Ring |
| 5:2 | 237-79 | 1 | O-Ring | 24 | 340-5 | 1 | Fitting-Straight |
| 6 | 340-7 | 1 | Adapter | 24:1 | 237-42 | 1 | O-Ring |
| 6:1 | 237-65 | 1 | O-Ring | 24:2 | 237-30 | 1 | O-Ring |
| 6:2 | 237-80 | 1 | O-Ring | 25 | 340-101 | 1 | Fitting-HYD, 45 DEG |
| 7 | 3253-4 | 2 | Washer-Lock | 25:1 | 237-30 | 1 | O-Ring |
| 8 | 33114-025 | 2 | Screw-HH | 25:2 | 237-79 | 1 | O-Ring |
| 9 | 340-2 | 5 | Fitting-Str | 26 | 63-9750 | 2 | Mount |
| 9:1 | 237-22 | 1 | O-Ring | 27 | 131-1934 | 1 | Deck Lift Valve ASM |
| 9:2 | 237-42 | 1 | O-Ring | 28 | 63-8410 | 2 | Washer |
| 10 | 340-105 | 1 | Fitting-Elbow 90 | 29 | 340-132 | 2 | Fitting-HYD, 90 DEG |
| 10:1 | 237-80 | 1 | O-Ring | 29:1 | 237-78 | 1 | O-Ring |
| 10:2 | 237-30 | 1 | O-Ring | 29:2 | 237-21 | 1 | O-Ring |
| 11 | 110-5522 | 1 | Fitting-Elbow, 90 | 30 | 340-77 | 1 | Fitting-Elbow 90 |
| 11:1 | 237-80 | 1 | O-Ring | 30:1 | 237-22 | 1 | O-Ring |
| 12 | 353-987 | 2 | Fitting-HYD, 90 DEG (Barbed) | 30:2 | 237-42 | 1 | O-Ring |
| 12:1 | 237-81 | 1 | O-Ring | 31 | 321-14 | 2 | Screw-HH |
| 13 | 340-155 | 4 | Fitting-HYD, Straight | 32 | 340-117 | 1 | Cap |
| 13:1 | 237-79 | 1 | O-Ring | 33 | 340-94 | 1 | Adapter |
| 13:2 | 237-151 | 1 | O-Ring | 33:1 | 237-22 | 2 | O-Ring |
| 14 | 110-5536 | 1 | Fitting-HYD, Adapter | 33:2 | 237-42 | 1 | O-Ring |
| 14:1 | 237-78 | 1 | O-Ring | 34 | 340-86 | 1 | Fitting-Tee |
| 15 | 104-7201 | 2 | Nut-Flange, NI | 34:1 | 237-22 | 2 | O-Ring |
| 16 | 105-0204 | 1 | Strainer Fitting ASM | 34:2 | 237-42 | 1 | O-Ring |
| 16:1 | 237-146 | 1 | O-Ring | 35 | 80-0650 | 2 | Spacer-Tubular |
| 17 | 117-3389 | 1 | Cap-Tank, Hydraulic | 36 | 32144-15 | 4 | Screw-HHFTF |
| 17:1 | 237-101 | 1 | O-Ring | 37 | 340-103 | 1 | Fitting-HYD, 45 DEG |
| 18 | 340-98 | 1 | Fitting-HYD, 90 DEG | 37:1 | 237-78 | 1 | O-Ring |
| 18:1 | 237-79 | 1 | O-Ring | 37:2 | 237-21 | 1 | O-Ring |
| 18:2 | 237-30 | 1 | O-Ring | 38 | 115-8886 | 1 | Nipple-Test |
| 19 | 304-73 | 1 | Fitting-Straight | 39 | 354-79 | 1 | Cap-Dust |
| 20 | 340-99 | 1 | Fitting-HYD, 90 DEG | 40 | 3256-23 | 2 | Washer-Flat |



Hydraulic Gear Pump Assembly No. 115-0375

| Ref. | Part Number | Qty. | Description |
|------|-------------|------|-----------------------|
| 1 | 115-0376 | 1 | Valve-Relief, 125 BAR |
| 2 | 112-0199 | 1 | Seal Kit |
| 2:1 | | 1 | Seal-Anti Extrusion ● |
| 2:2 | | 1 | Seal-Anti Extrusion ● |
| 2:3 | | 1 | Seal-Shaft ● |
| 2:4 | | 1 | Seal-Upper ● |
| 2:5 | | 1 | Seal ● |
| 2:6 | | 2 | O-Ring ● |

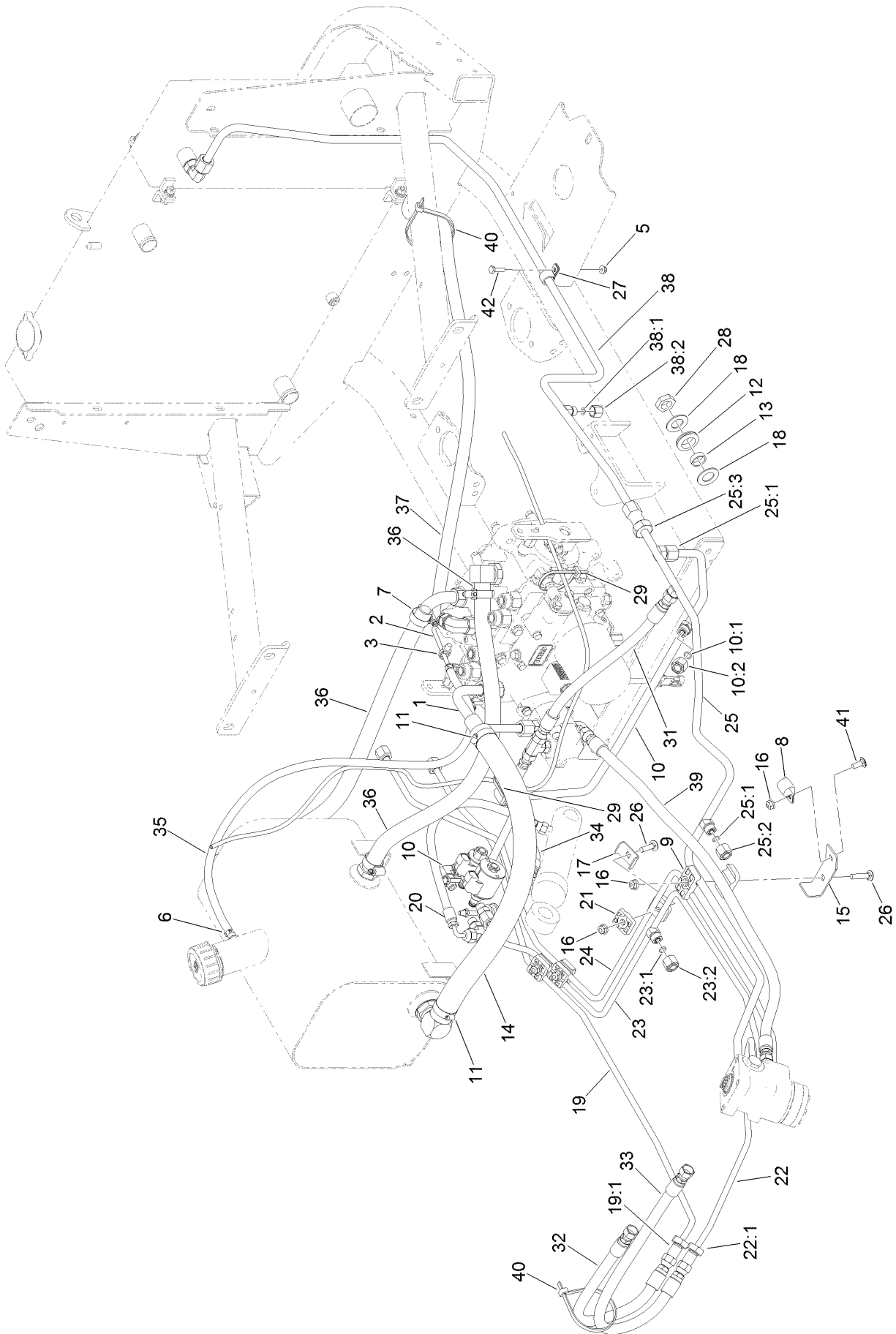
● Not serviced separately



Valve Assembly No. 131-1934

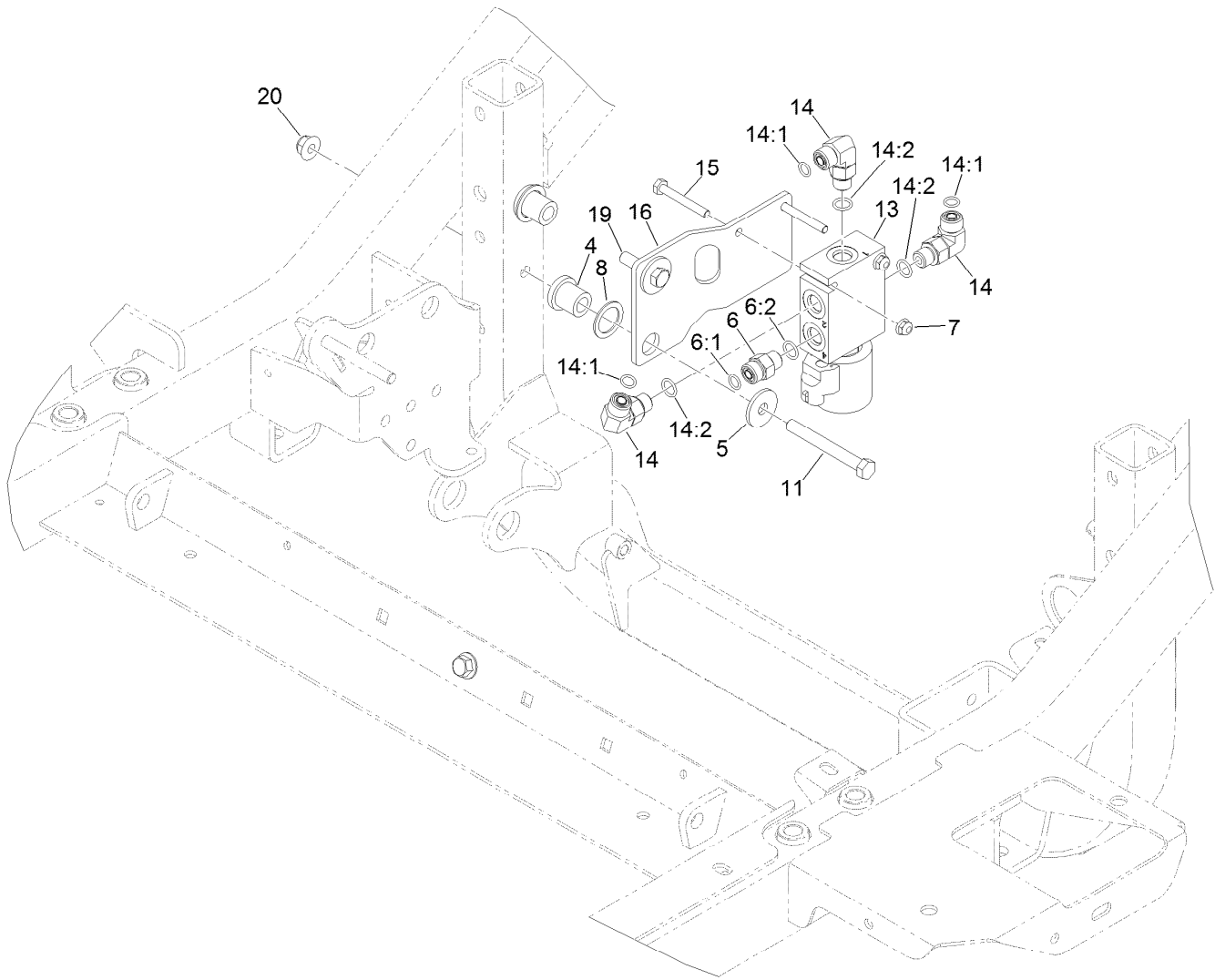
| <i>Ref.</i> | <i>Part Number</i> | <i>Qty.</i> | <i>Description</i> |
|-------------|--------------------|-------------|--------------------|
| 3 | 107-7517 | 1 | Valve-Solenoid |
| 3:1 | 105-9156 | 1 | Seal Kit |
| 3:2 | 107-7812 | 1 | Nut-Solenoid |
| 4 | 131-1935 | 1 | Valve-Solenoid |
| 5 | 115-3021 | 1 | Coil-12V |
| 6 | 119-8036 | 1 | Coil |
| 7 | 110-2634 | 1 | Nut-Coil |

Hydraulic Tube and Hose Assembly



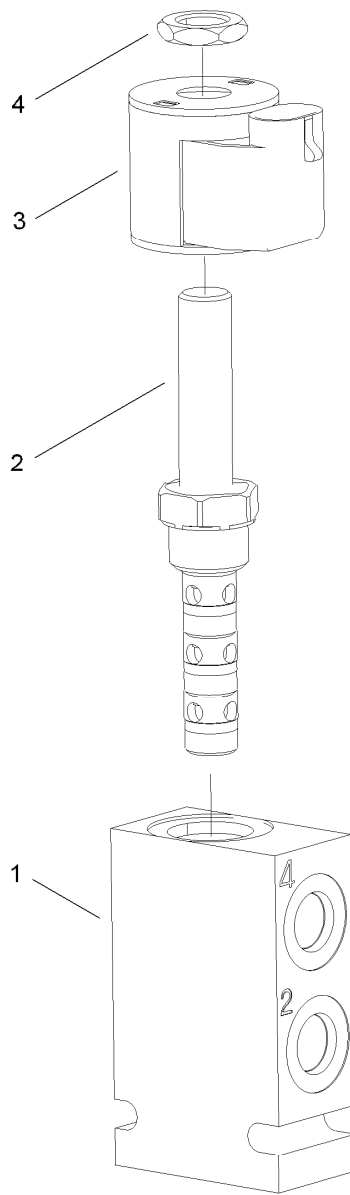
Hydraulic Tube and Hose Assembly (continued)

| <i>Ref.</i> | <i>Part Number</i> | <i>Qty.</i> | <i>Description</i> | <i>Ref.</i> | <i>Part Number</i> | <i>Qty.</i> | <i>Description</i> |
|-------------|--------------------|-------------|--------------------------------------|-------------|--------------------|-------------|----------------------------------|
| 1 | 115-0184 | 1 | Suction Tube ASM | 23:1 | 237-22 | 1 | O-Ring |
| 2 | 125-2891 | 1 | Tube ASM | 23:2 | 340-117 | 1 | Cap |
| 3 | 32180-030 | 1 | Clip-Tie | 24 | 131-3351 | 1 | Steer/Steer Manifold Tube ASM |
| 5 | 104-7201 | 1 | Nut-Flange, NI | 25 | 127-4872 | 1 | Steer/Drain Tube ASM |
| 6 | 2412-98 | 2 | Clamp-Hose | 25:1 | 237-22 | 2 | O-Ring |
| 7 | 2412-129 | 4 | Clamp-Hose | 25:2 | 340-117 | 1 | Cap |
| 8 | 2412-4 | 1 | Clamp | 25:3 | 237-30 | 2 | O-Ring |
| 9 | 56-7972 | 2 | Clamp-Tube | 26 | 3230-4 | 4 | Screw-CARR |
| 10 | 125-2893 | 1 | Tube ASM | 27 | 2412-87 | 1 | Clamp-Cable |
| 10:1 | 237-22 | 1 | O-Ring | 28 | 340-127 | 1 | Nut-Bulkhead |
| 10:2 | 340-117 | 1 | Cap | 29 | 3290-378 | 2 | Tie-Cable |
| 11 | 2412-34 | 2 | Clamp-Hose | 31 | 117-3122 | 1 | Hose ASM |
| 12 | 240-5 | 1 | Grommet | 32 | 119-1433 | 1 | Hose ASM |
| 13 | 69-8960 | 1 | Spacer | 33 | 100-5629 | 1 | Hose ASM |
| 14 | 117-3200 | 1 | Hose-Suction | 34 | 117-3123 | 1 | HYD Hose ASM |
| 15 | 120-0245 | 1 | Bracket-Support | 35 | 109-0275 | 1 | Hose-Fuel |
| 16 | 104-8300 | 5 | Nut-Flange, NI | 36 | 117-3121 | 2 | Hose ASM |
| 17 | 119-1418 | 6 | Plate-Clamp, Short | 37 | 105-4193 | 1 | HYD Hose ASM |
| 18 | 69-8930 | 2 | Washer | 38 | 117-3114 | 1 | Tube-Drain, Cooler |
| 19 | 131-3358 | 1 | Steer Manifold/Front CYL Tube ASM | 38:1 | 237-21 | 1 | O-Ring |
| 19:1 | 237-22 | 1 | O-Ring | 38:2 | 117-3297 | 1 | Fitting-Cap |
| 20 | 110-0928 | 1 | Hose-HYD | 39 | 119-8114 | 1 | HYD Hose ASM |
| 21 | 56-7973 | 6 | Clamp-Tube | 40 | 3334-945 | 2 | Tie-Cable |
| 22 | 125-2887 | 1 | Steer/Front Tube ASM | 41 | 3230-23 | 1 | Screw-CARR |
| 22:1 | 237-22 | 1 | O-Ring | 42 | 321-5 | 1 | Screw-HH |
| 23 | 125-2890 | 1 | Steer/Lift Tube ASM | | | | |



Hydraulic Valve Assembly

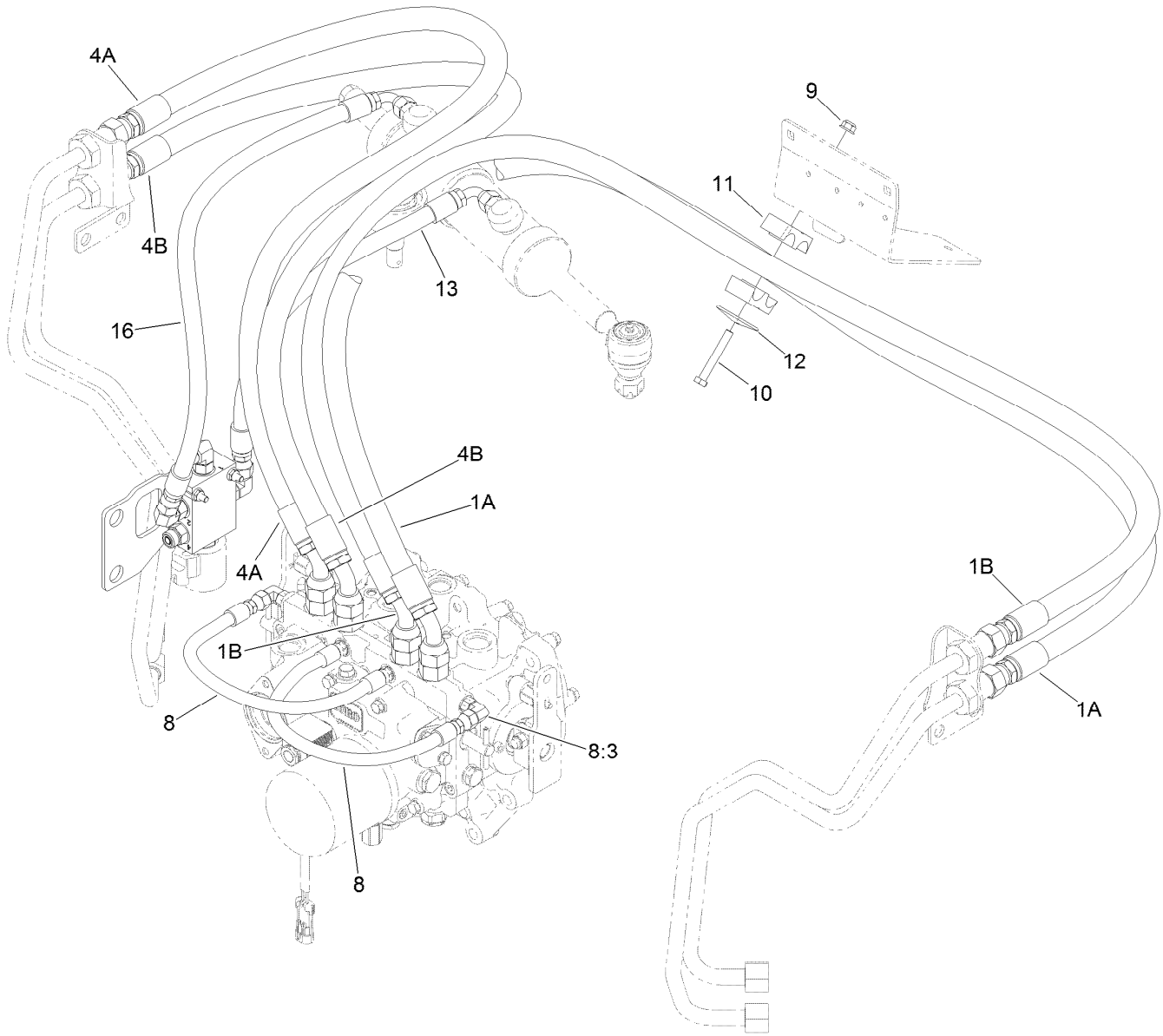
| <i>Ref.</i> | <i>Part Number</i> | <i>Qty.</i> | <i>Description</i> | <i>Ref.</i> | <i>Part Number</i> | <i>Qty.</i> | <i>Description</i> |
|-------------|--------------------|-------------|--------------------|-------------|--------------------|-------------|--------------------------|
| 4 | 63-9750 | 2 | Mount | 13 | 115-0280 | 1 | Steer Selector Valve ASM |
| 5 | 63-8410 | 2 | Washer | 14 | 340-77 | 3 | Fitting-Elbow 90 |
| 6 | 340-2 | 1 | Fitting-Str | 14:1 | 237-22 | 1 | O-Ring |
| 6:1 | 237-22 | 1 | O-Ring | 14:2 | 237-42 | 1 | O-Ring |
| 6:2 | 237-42 | 1 | O-Ring | 15 | 321-11 | 2 | Screw-HH |
| 7 | 104-7201 | 2 | Nut-Flange, NI | 16 | 131-3352-03 | 1 | Plate-Mount, Valve |
| 8 | 1-303352 | 2 | Washer-Spindle | 19 | 323-8 | 1 | Screw-HH |
| 11 | 323-20 | 1 | Screw-HH | 20 | 104-8301 | 2 | Nut-Flange, NI |



Steering Selector Valve Assembly No. 115-0280

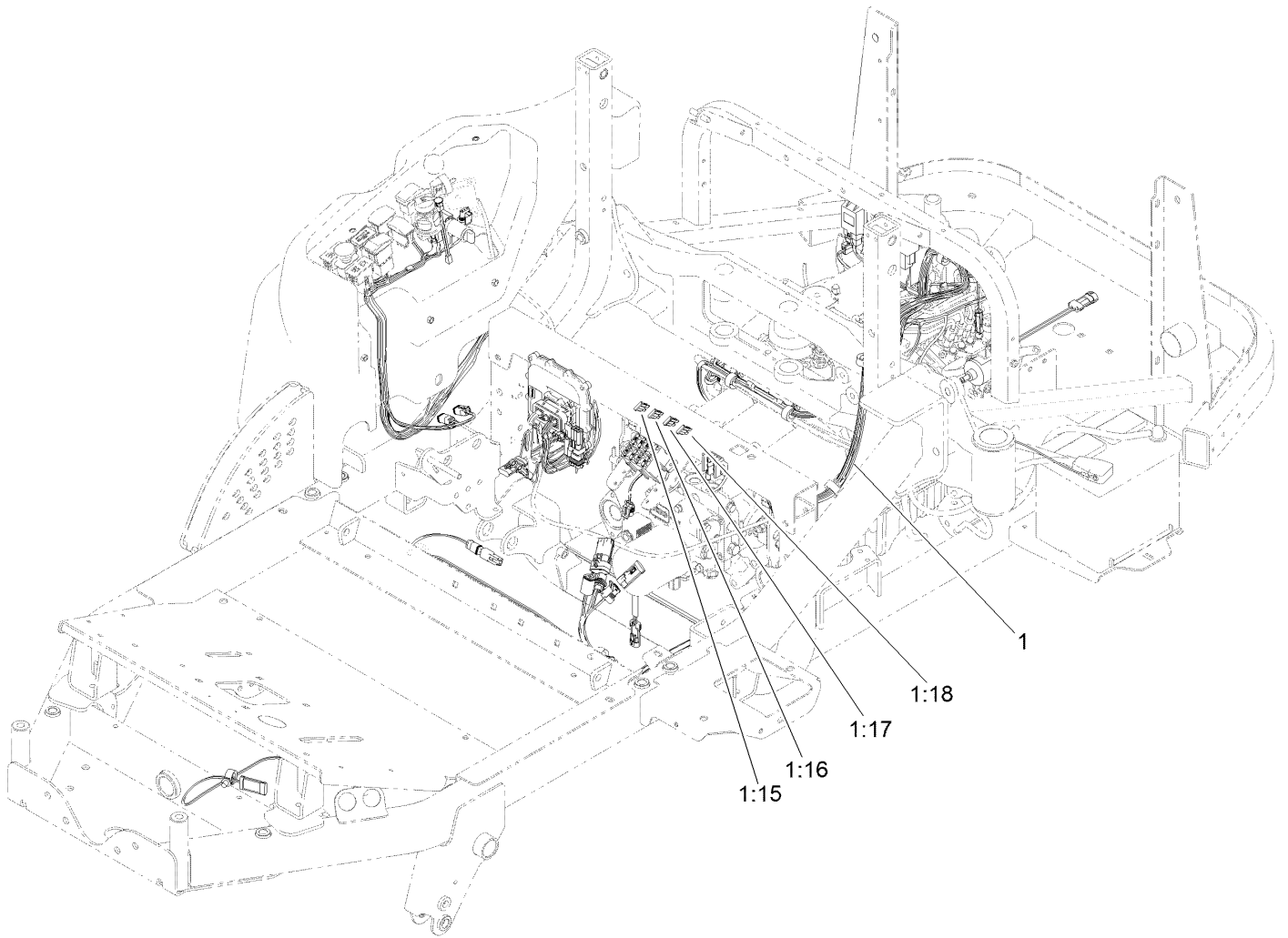
| <i>Ref.</i> | <i>Part Number</i> | <i>Qty.</i> | <i>Description</i> |
|-------------|--------------------|-------------|--------------------|
| 1 | | 1 | Block-Manifold ● |
| 2 | 119-8042 | 1 | Valve-Solenoid |
| 3 | 110-6344 | 1 | Coil-12V, Dc |
| 4 | 110-2634 | 1 | Nut-Coil |

● Not serviced separately



2 Wheel Drive Hydraulic Hose Assembly

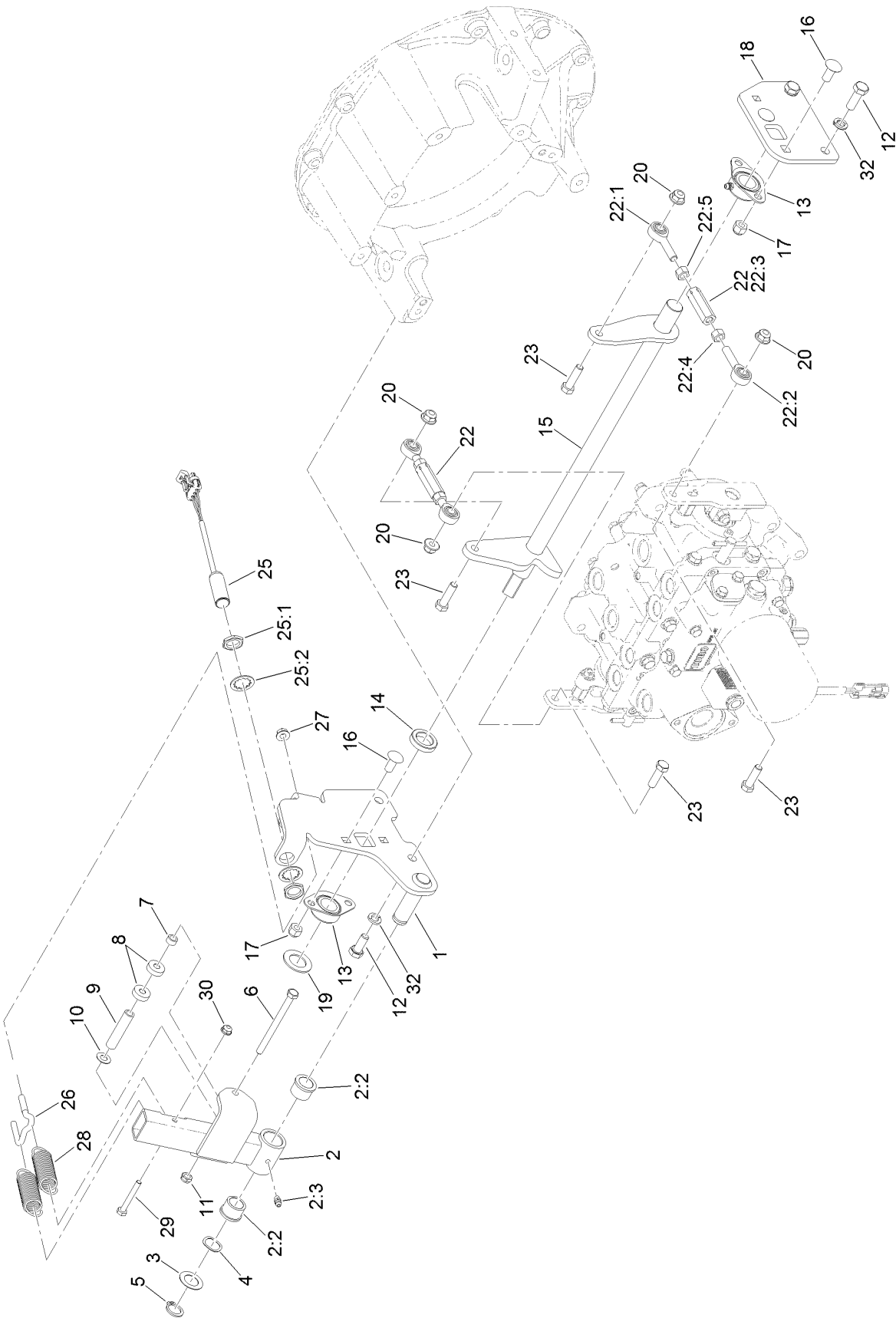
| <i>Ref.</i> | <i>Part Number</i> | <i>Qty.</i> | <i>Description</i> |
|-------------|--------------------|-------------|--------------------|
| 1 | 117-3249 | 2 | Hose ASM |
| 4 | 131-5506 | 2 | Hose ASM |
| 8 | 115-0377 | 2 | Hose ASM |
| 8:3 | 237-78 | 1 | O-Ring |
| 9 | 104-8300 | 1 | Nut-Flange, NI |
| 10 | 322-11 | 1 | Screw-HH |
| 11 | 56-7974 | 2 | Clamp-Tube |
| 12 | 69-9761 | 1 | Plate-Cover |
| 13 | 131-3353 | 1 | Hose ASM |
| 16 | 131-3354 | 1 | Hose ASM |



Electrical Assembly

| <i>Ref.</i> | <i>Part Number</i> | <i>Qty.</i> | <i>Description</i> |
|-------------|--------------------|-------------|---------------------|
| 1 | 122-0170 | 1 | Harness-Wire, 4Wd |
| 1:15 | 94-6710 | 1 | Fuse-2 Amp |
| 1:16 | 114241 | 3 | Fuse-Blade, 7.5 Amp |
| 1:17 | 218-578 | 4 | Fuse-Blade, 10 Amp |
| 1:18 | 109355 | 1 | Fuse-Blade, 15 Amp |

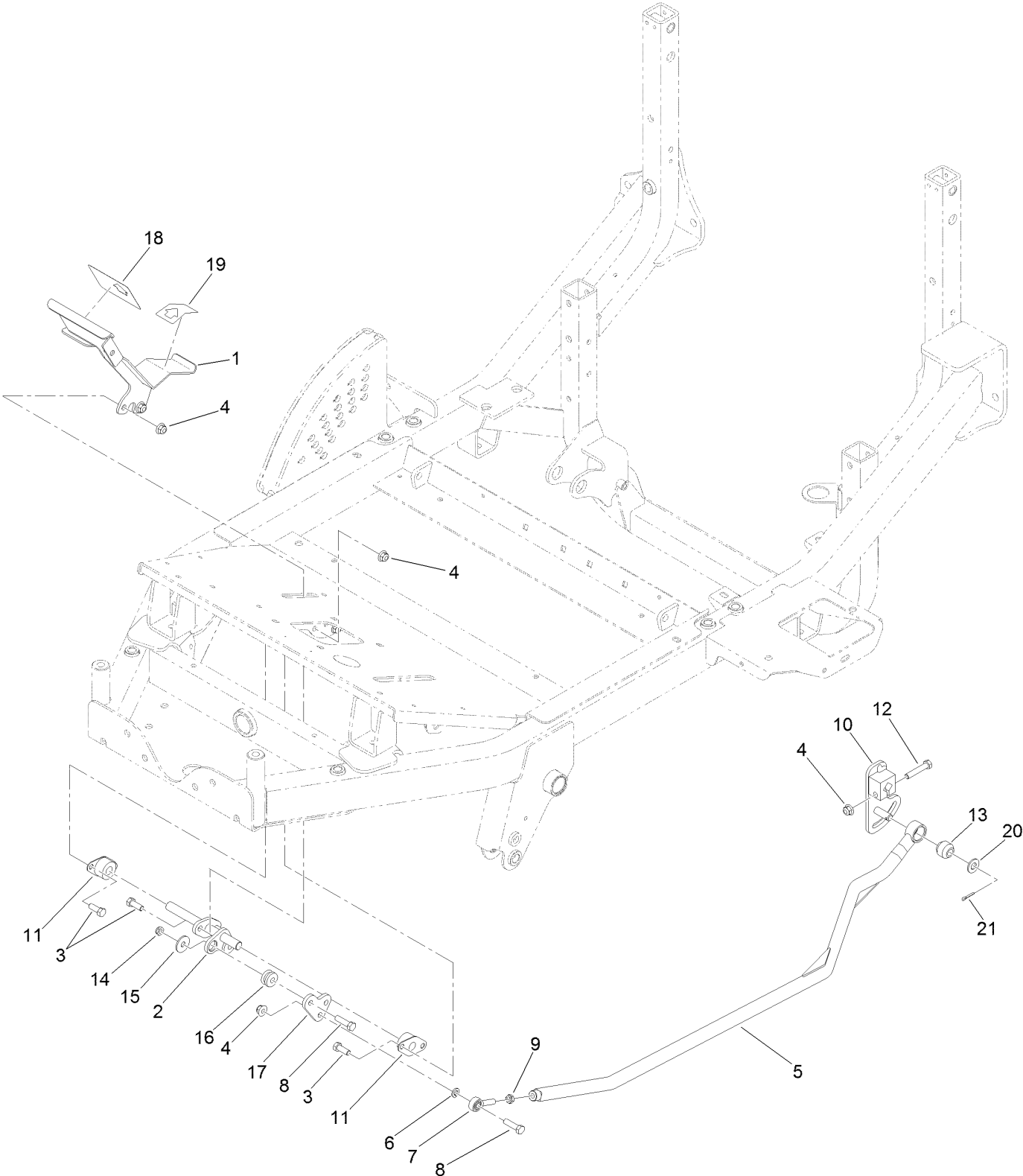
Neutral System Assembly



Neutral System Assembly (continued)

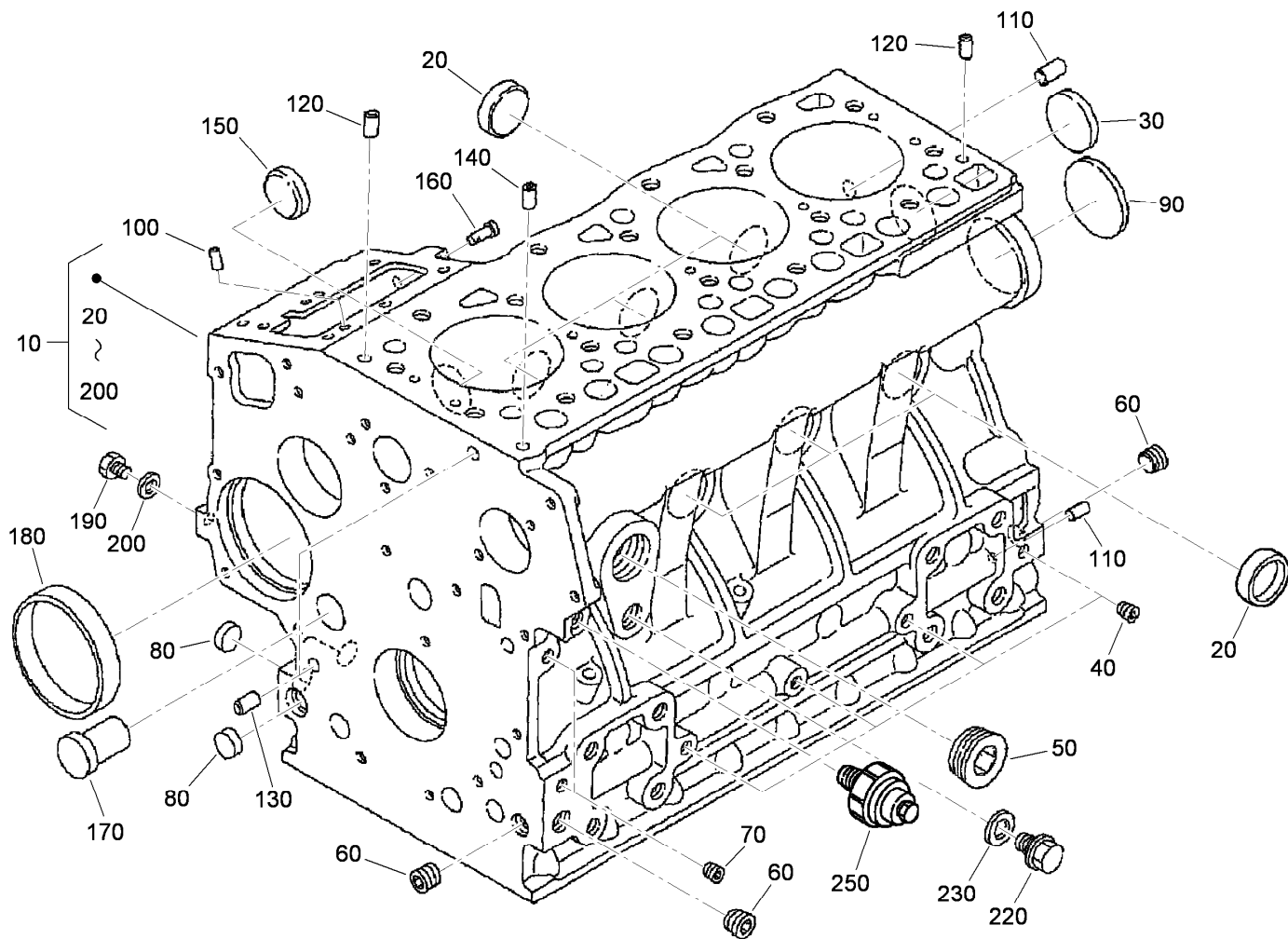
| <i>Ref.</i> | <i>Part Number</i> | <i>Qty.</i> | <i>Description</i> | <i>Ref.</i> | <i>Part Number</i> | <i>Qty.</i> | <i>Description</i> |
|-------------|--------------------|-------------|-----------------------|-------------|--------------------|-------------|-----------------------------|
| 1 | 136-4484-03 | 1 | Plate-End, Neutral | 18 | 125-9213-03 | 1 | Plate-End, Neutral |
| 2 | 125-4366 | 1 | Neutral Arm ASM | 19 | 119-2332 | 1 | Washer-Flat |
| 2:2 | 256-113 | 2 | Bushing-Flange | 20 | 104-8301 | 4 | Nut-Flange, NI |
| 2:3 | 302-5 | 1 | Fitting-Grease | 22 | 125-2870 | 2 | Link ASM |
| 3 | 3-6498 | 1 | Washer-Thrust | 22:1 | 125-4389 | 1 | Bearing-End, Rod |
| 4 | 119-4164 | 1 | Washer-Wave | 22:2 | 2411-36 | 1 | Bearing-End, Rod |
| 5 | 32120-93 | 1 | Ring-Retaining | 22:3 | 125-4390 | 1 | Hex-Adjustment |
| 6 | 322-19 | 1 | Screw-HH | 22:4 | 3219-3 | 1 | Nut-Hex |
| 7 | 136-4455 | 1 | Sleeve-Spacer | 22:5 | 3219-20 | 1 | Nut-Hex, LH |
| 8 | 121-6835 | 2 | Bearing-Ball | 23 | 323-29 | 4 | Screw-HH |
| 9 | 136-4454 | 1 | Sleeve-Spacer | 25 | 115-5300 | 1 | Proximity Switch ASM |
| 10 | 73-0041 | 1 | Washer-Thrust | 25:1 | 117-3207 | 2 | Nut-Hex |
| 11 | 3296-47 | 1 | Nut-Lock, NI | 25:2 | 117-3208 | 2 | Washer-Lock, Internal Tooth |
| 12 | 120-9635 | 4 | Screw-HH | 26 | 131-3376 | 1 | Hook-Spring, Dual |
| 13 | 131-5529 | 2 | Bearing, Side Flange | 27 | 32128-25 | 1 | Nut-HF |
| 14 | 125-2879 | 1 | Spacer-Shaft, Neutral | 28 | 131-3374 | 2 | Spring-Extension |
| 15 | 131-5547-03 | 1 | Shaft-Neutral | 29 | 321-11 | 1 | Screw-HH |
| 16 | 3231-27 | 4 | Screw-CARR | 30 | 104-7201 | 1 | Nut-Flange, NI |
| 17 | 3296-39 | 4 | Nut-Lock, NI | 32 | 48-9590 | 4 | Washer-Lock |

Traction Pedal Assembly



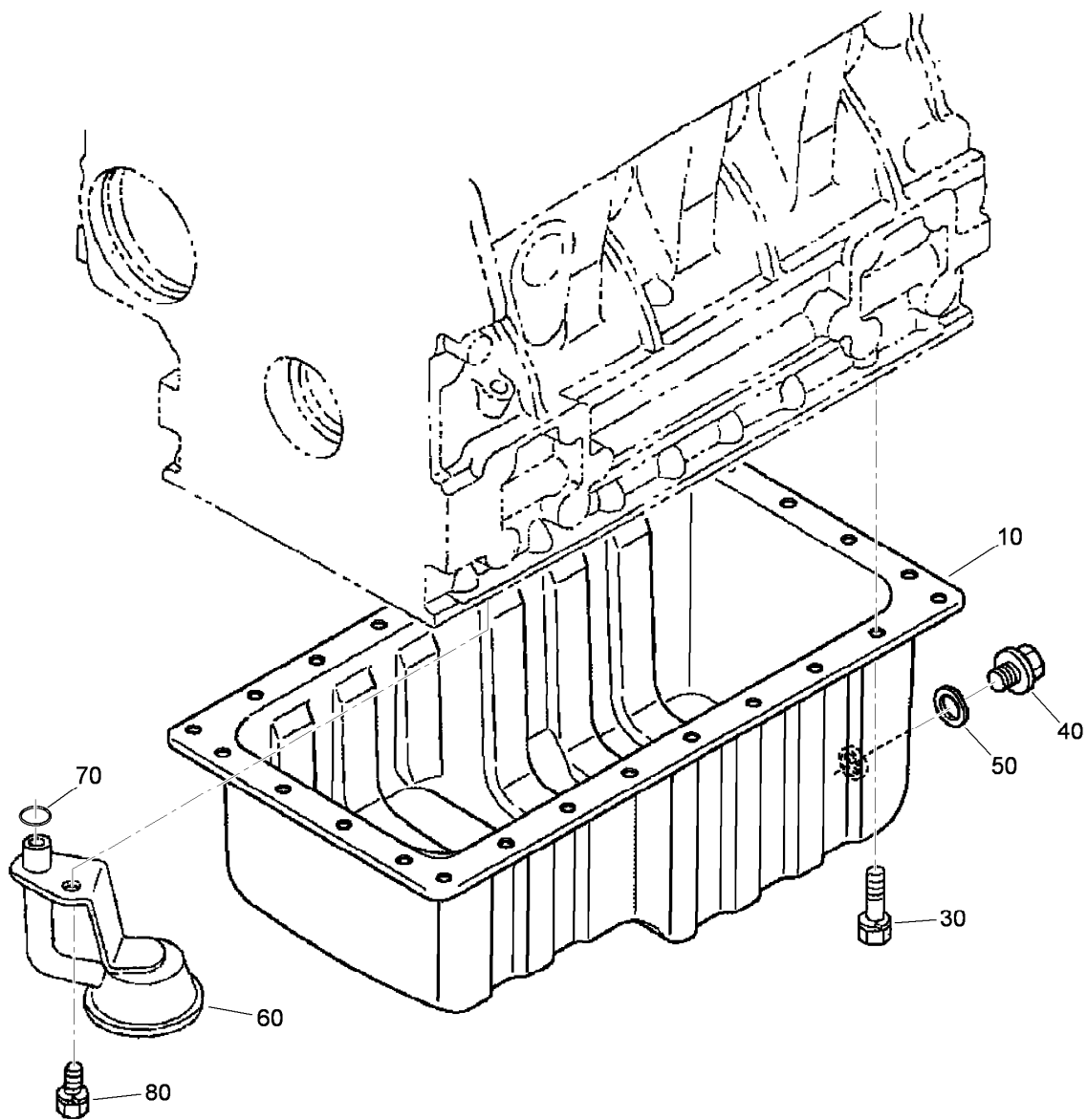
Traction Pedal Assembly (continued)

| <i>Ref.</i> | <i>Part Number</i> | <i>Qty.</i> | <i>Description</i> | <i>Ref.</i> | <i>Part Number</i> | <i>Qty.</i> | <i>Description</i> |
|-------------|--------------------|-------------|-----------------------|-------------|--------------------|-------------|-------------------------|
| 1 | 117-3070-01 | 1 | Pedal | 12 | 323-10 | 1 | Screw-HH |
| 2 | 125-4402 | 1 | Pivot-Pedal, Isolated | 13 | 23-2270 | 1 | Bushing-Rubber |
| 3 | 323-6 | 6 | Screw-HH | 14 | 3296-59 | 2 | Nut-Lock, NI |
| 4 | 104-8301 | 8 | Nut-Flange, NI | 15 | 93-8806 | 2 | Washer-Hardened |
| 5 | 136-4451-03 | 1 | Rod-Traction | 16 | 63-9750 | 2 | Mount |
| 6 | 3253-21 | 1 | Washer-Lock | 17 | 136-4453 | 1 | Plate-Linkage, Traction |
| 7 | 2411-36 | 1 | Bearing-End, Rod | 18 | 94-3307 | 1 | Pad-Pedal, Traction |
| 8 | 323-29 | 3 | Screw-HH | 19 | 94-3308 | 1 | Pad-Pedal, Traction |
| 9 | 3220-3 | 1 | Nut-HJ | 20 | 3256-26 | 1 | Washer-Flat |
| 10 | 131-5546-03 | 1 | Lever-Traction | 21 | 3272-10 | 1 | Pin-Cotter |
| 11 | 256-236 | 2 | Bearing-Mount, Flange | | | | |



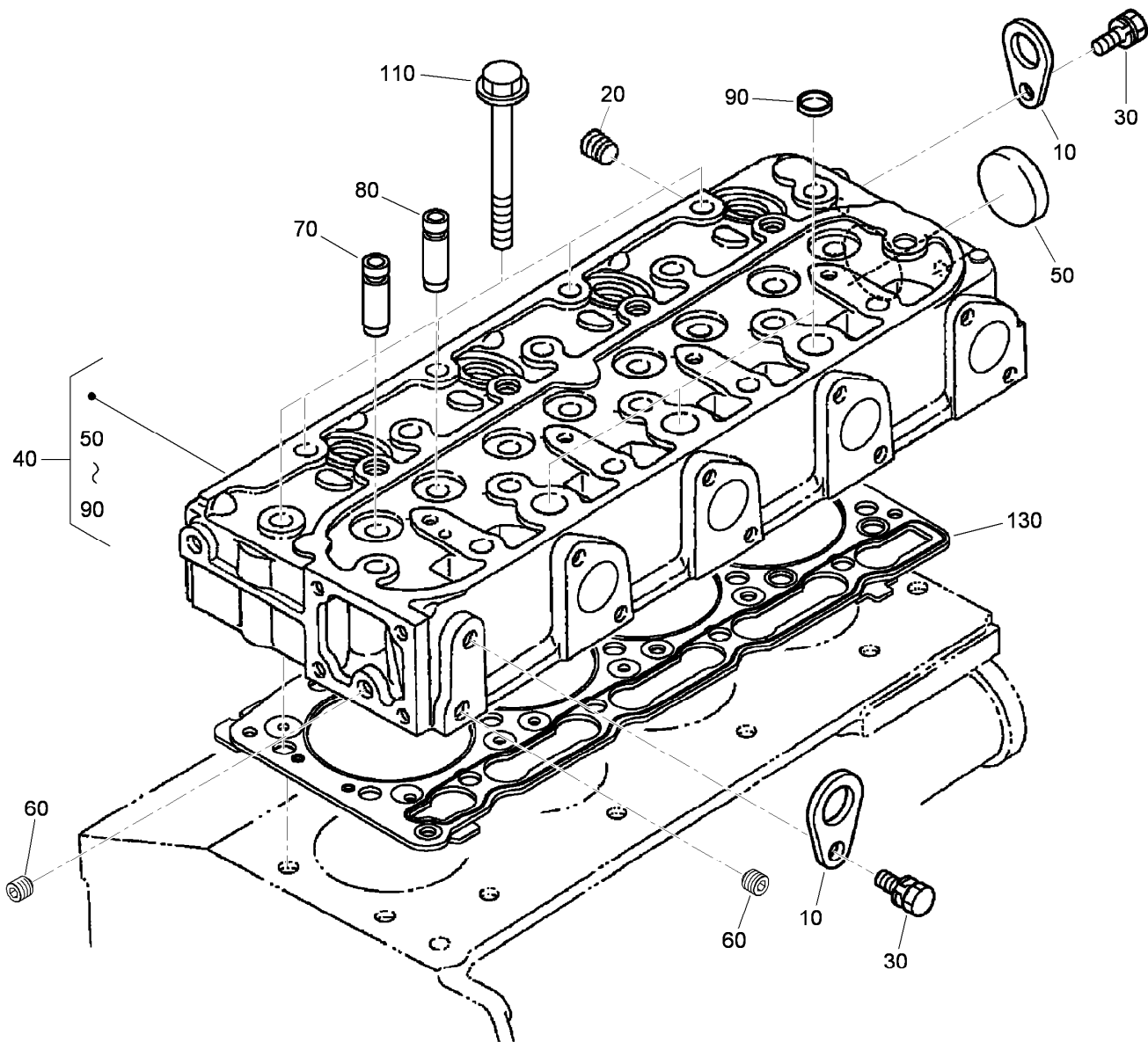
Crankcase Assembly

| <i>Ref.</i> | <i>Part Number</i> | <i>Qty.</i> | <i>Description</i> | <i>Ref.</i> | <i>Part Number</i> | <i>Qty.</i> | <i>Description</i> |
|-------------|--------------------|-------------|--------------------|-------------|--------------------|-------------|------------------------|
| 10 | 120-2558 | 1 | Crankcase ASM | 130 | 98-9387 | 2 | Pin-Pipe |
| 20 | 98-9398 | 6 | Cap-Sealing | 140 | 98-9539 | 1 | Pin-Pipe |
| 30 | 98-7539 | 1 | Cap-Sealing | 150 | 98-9599 | 1 | Plug |
| 40 | 98-7540 | 4 | Plug | 160 | 105-3796 | 1 | Pin-Spring, Start |
| 50 | 105-3779 | 1 | Plug | 170 | 98-9675 | 1 | Plug |
| 60 | 98-9597 | 3 | Plug | 180 | 98-9656 | 1 | Bushing-Governor, Gear |
| 70 | 98-7487 | 2 | Plug | 190 | 120-2559 | 1 | Plug |
| 80 | 98-9379 | 3 | Plug-Expansion | 200 | 98-7428 | 1 | Gasket |
| 90 | 98-9668 | 1 | Plug-Expansion | 220 | 99-3447 | 1 | Plug |
| 100 | 98-9375 | 2 | Pin-Straight | 230 | 106-7056 | 1 | Gasket |
| 110 | 98-9377 | 2 | Pin-Straight | 250 | 98-9416 | 1 | Switch-Oil |
| 120 | 98-9376 | 2 | Pin-Straight | | | | |



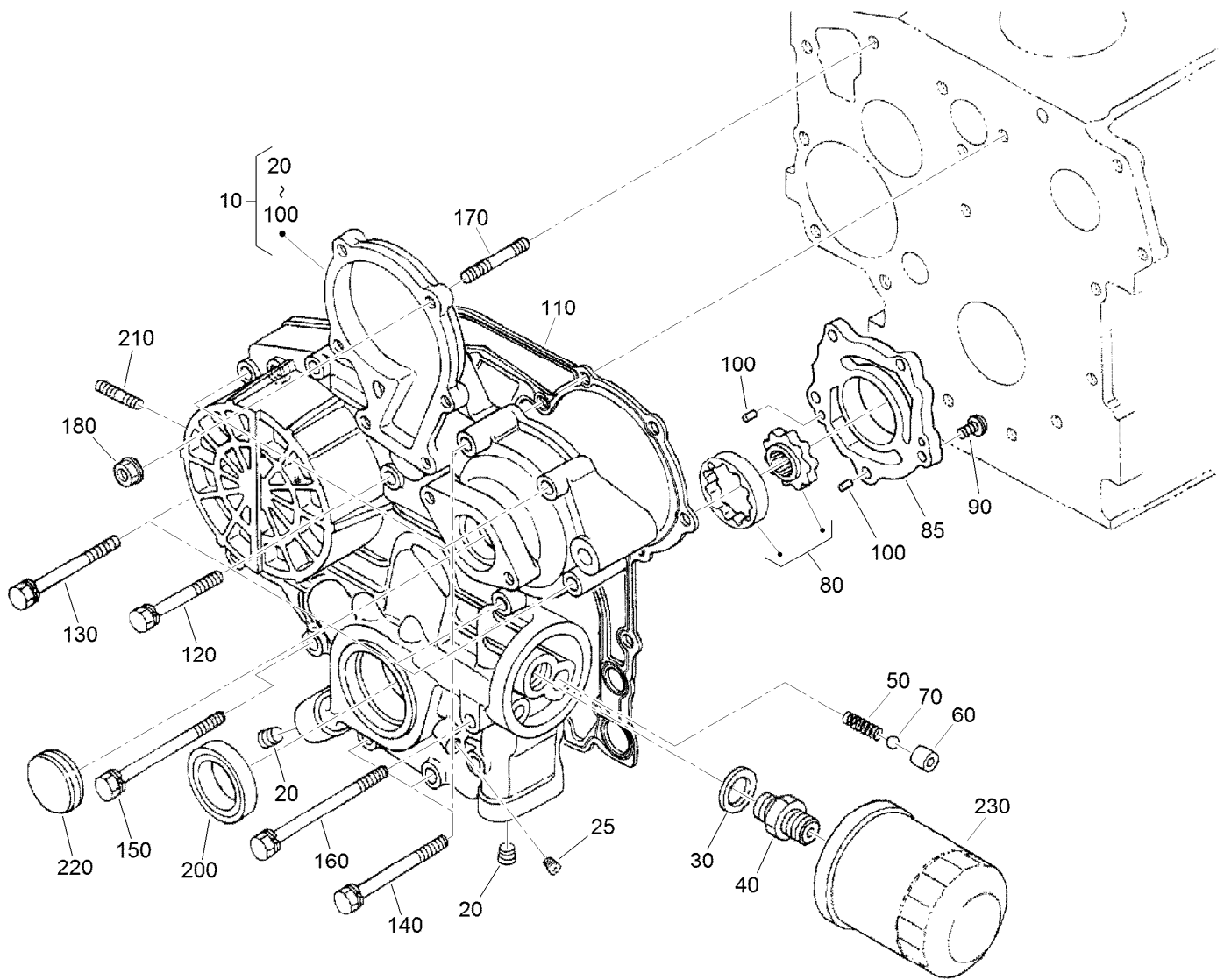
Oil Pan Assembly

| <i>Ref.</i> | <i>Part Number</i> | <i>Qty.</i> | <i>Description</i> |
|-------------|--------------------|-------------|--------------------|
| 10 | 112-0186 | 1 | Oil PAN ASM |
| 30 | 98-9351 | 26 | Bolt |
| 40 | 114-8151 | 1 | Plug-Drain |
| 50 | 98-7524 | 1 | Gasket |
| 60 | 112-7003 | 1 | Head-Filter, Oil |
| 70 | 105-3776 | 1 | O-Ring |
| 80 | 98-7526 | 1 | Bolt |



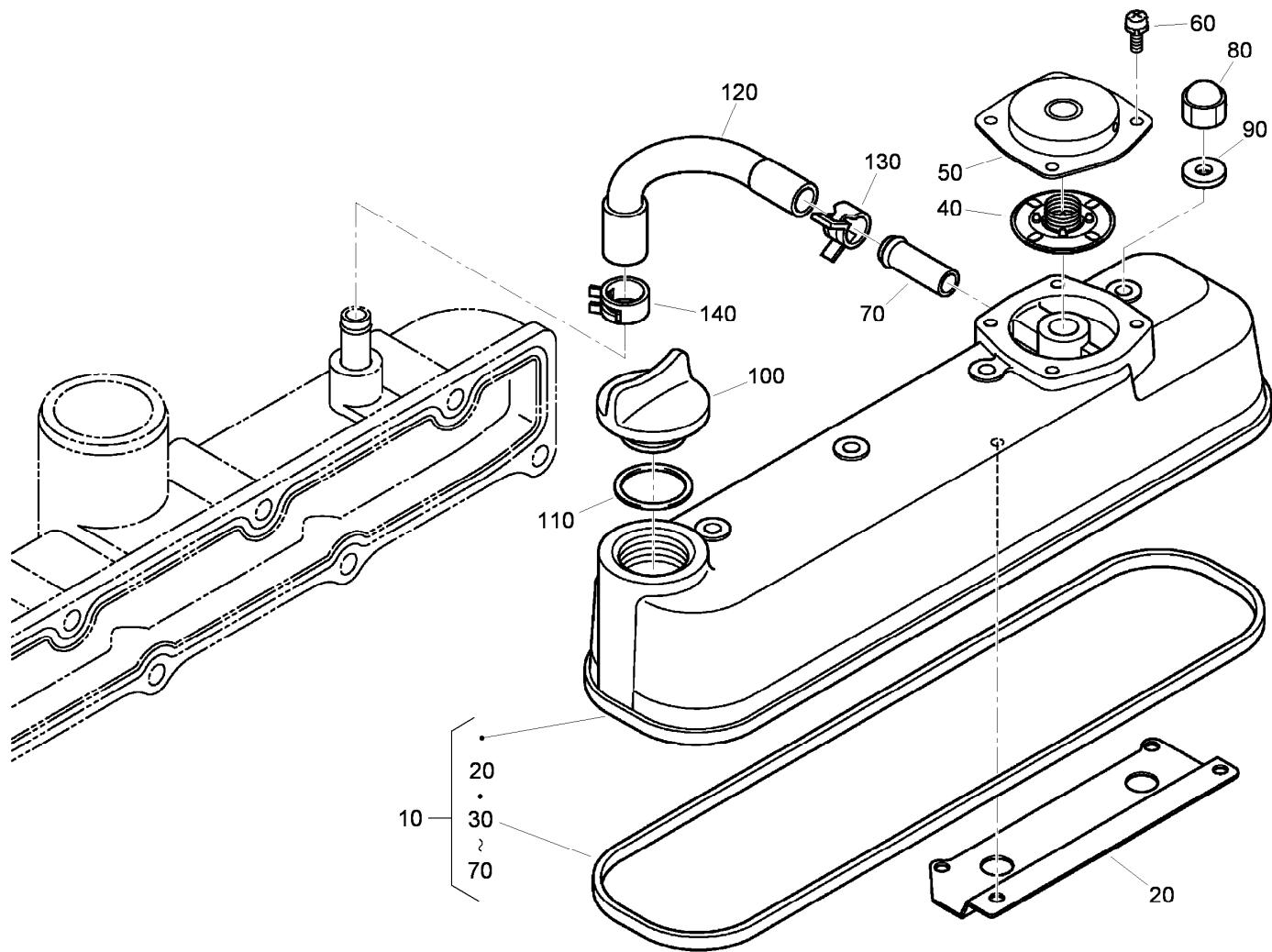
Cylinder Head Assembly

| Ref. | Part Number | Qty. | Description |
|------|-------------|------|-----------------------|
| 10 | 98-7531 | 2 | Hook-Engine |
| 20 | 98-9444 | 1 | Plug |
| 30 | 100-9195 | 2 | Bolt |
| 40 | 115-3012 | 1 | Cylinder Head ASM |
| 50 | 105-3705 | 1 | Cap-Sealing |
| 60 | 98-7540 | 2 | Plug |
| 70 | 107-9066 | 4 | Guide-Valve, Inlet |
| 80 | 107-9067 | 4 | Guide-Valve, Exhaust |
| 90 | 98-9389 | 3 | Cap-Sealing |
| 110 | 98-9479 | 18 | Bolt-Head, Cylinder |
| 130 | 108-2855 | 1 | Gasket-Head, Cylinder |



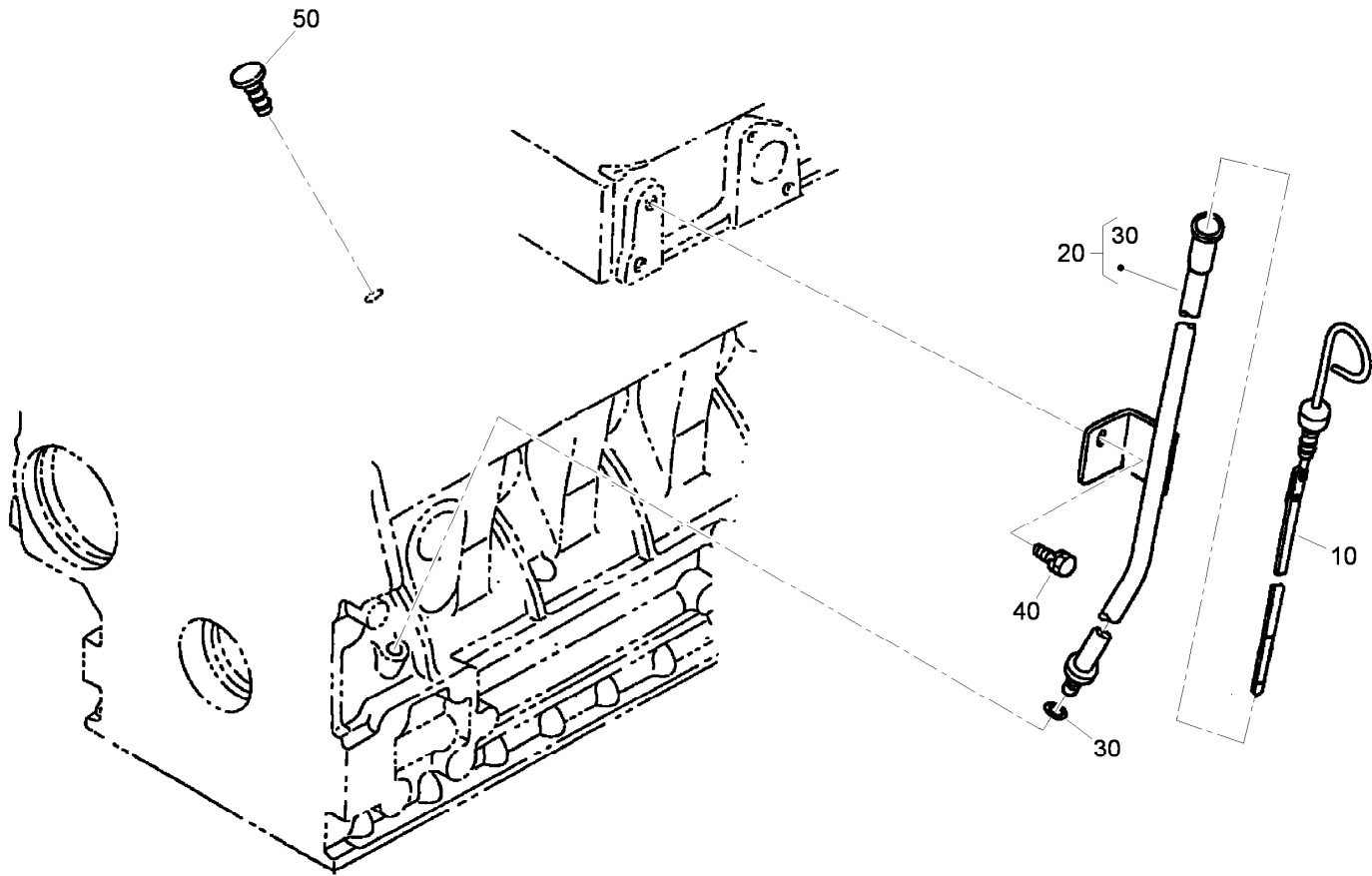
Gear Case Assembly

| Ref. | Part Number | Qty. | Description | Ref. | Part Number | Qty. | Description |
|------|-------------|------|--------------------|------|-------------|------|-------------------|
| 10 | 115-4105 | 1 | Gear Case ASM | 110 | 98-9633 | 1 | Gasket-Case, Gear |
| 20 | 127-0425 | 2 | Plug | 120 | 107-9073 | 3 | Bolt |
| 25 | 98-7487 | 1 | Plug | 130 | 105-3797 | 4 | Bolt |
| 30 | 98-7562 | 1 | Washer-Plain | 140 | 98-9356 | 4 | Bolt |
| 40 | 98-9388 | 1 | Joint-Pipe | 150 | 107-9074 | 1 | Bolt |
| 50 | 98-9544 | 1 | Spring | 160 | 98-9586 | 1 | Bolt |
| 60 | 98-9543 | 1 | Seat-Valve | 170 | 105-3709 | 1 | Stud |
| 70 | 98-9380 | 1 | Ball | 180 | 100-2203 | 1 | Nut-Flange |
| 80 | 98-9540 | 1 | Oil Pump Rotor ASM | 200 | 119-8038 | 1 | Seal-Oil |
| 85 | 107-9069 | 1 | Cover-Pump, Oil | 210 | 105-3710 | 2 | Stud |
| 90 | 107-9071 | 5 | Screw | 220 | 98-9641 | 1 | Cover-Case, Gear |
| 100 | 107-9072 | 2 | Pin-Straight | 230 | 108-3841 | 1 | Filter-Oil |



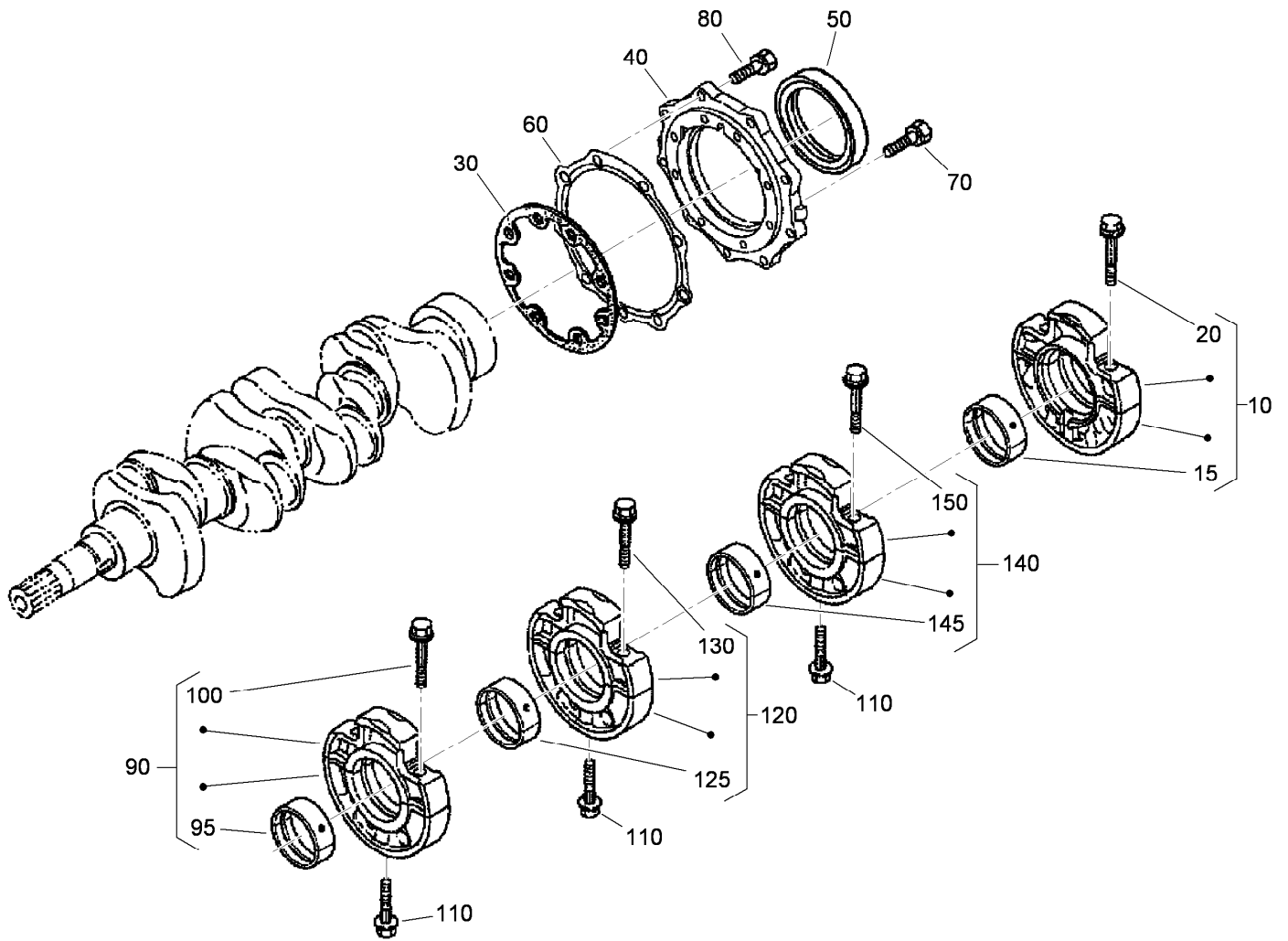
Cylinder Head Cover Assembly

| Ref. | Part Number | Qty. | Description |
|------|-------------|------|-------------------------|
| 10 | 115-4130 | 1 | Cylinder Head Cover ASM |
| 20 | 108-2857 | 1 | Shield-Breather |
| 30 | 105-3712 | 1 | Gasket-Cover, Head |
| 40 | 110-3715 | 1 | Valve-Breather |
| 50 | 110-3714 | 1 | Cover-Breather |
| 60 | 98-9364 | 4 | Screw (With Washer) |
| 70 | 98-7766 | 1 | Pipe-Return, Water |
| 80 | 98-9455 | 4 | Nut-Cap |
| 90 | 98-9454 | 4 | Gasket |
| 100 | 107-9075 | 1 | Plug-Filler, Oil |
| 110 | 120-2560 | 1 | O-Ring |
| 120 | 108-2858 | 1 | Tube-Breather |
| 130 | 108-2859 | 1 | Clamp-Hose |
| 140 | 108-2860 | 1 | Clamp-Hose |



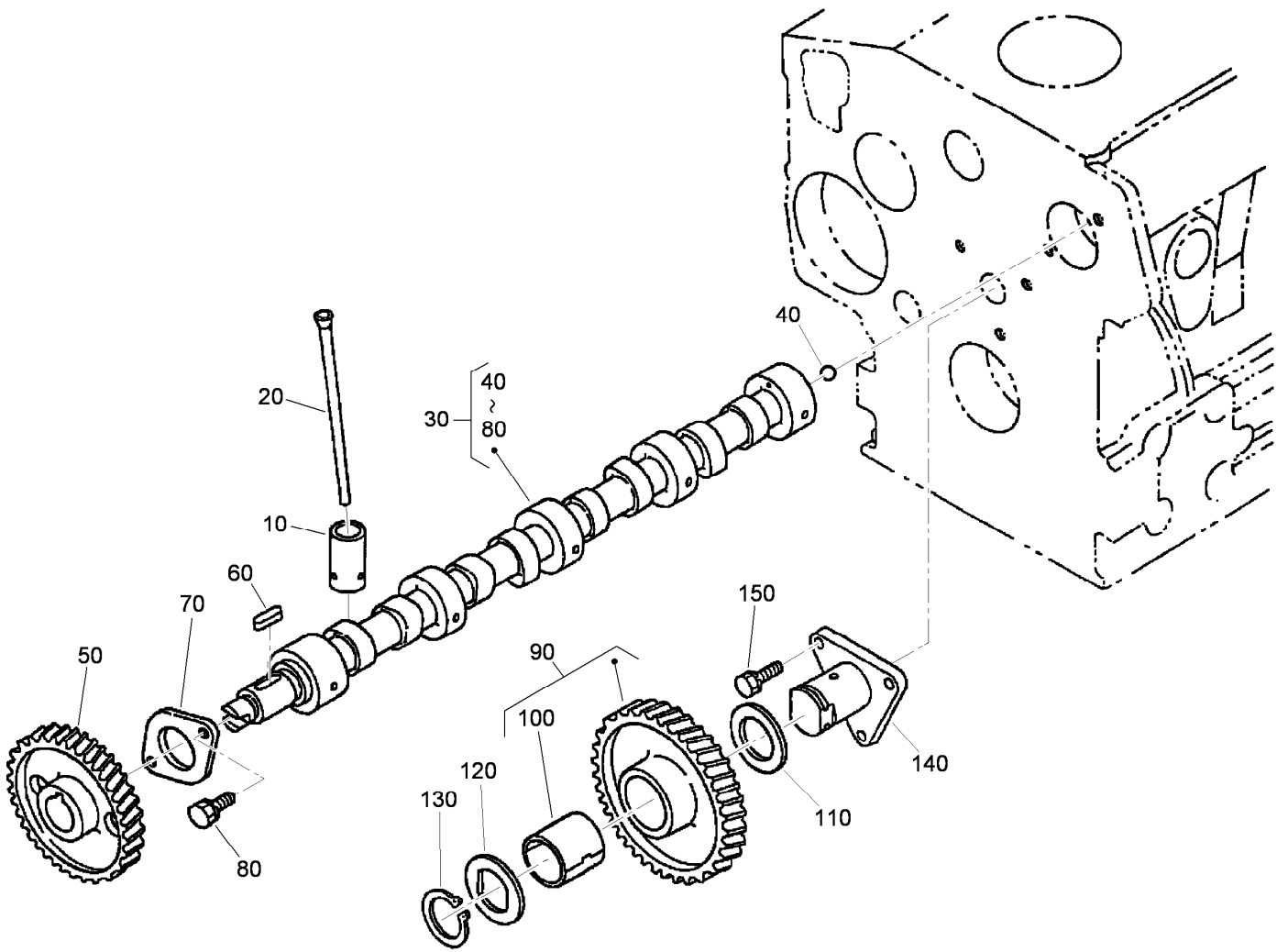
Dipstick and Guide Assembly

| <i>Ref.</i> | <i>Part Number</i> | <i>Qty.</i> | <i>Description</i> |
|-------------|--------------------|-------------|---------------------|
| 10 | 98-9670 | 1 | Gauge-Oil |
| 20 | 98-9672 | 1 | Oil Gauge Guide ASM |
| 30 | 98-9722 | 1 | O-Ring |
| 40 | 100-9195 | 1 | Bolt |
| 50 | 110-3720 | 1 | Plug-Gauge, Oil |



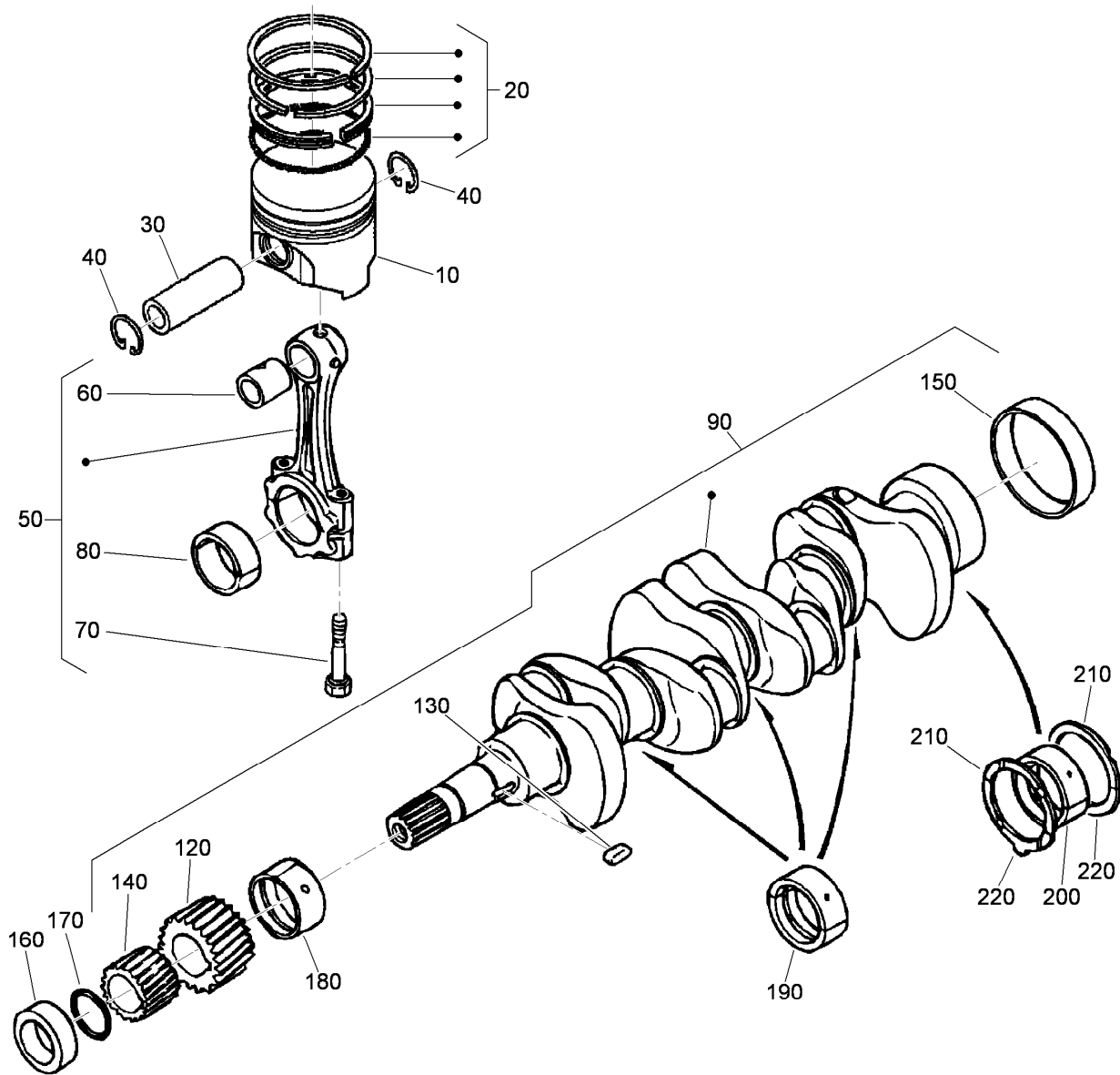
Main Bearing Case Assembly

| <i>Ref.</i> | <i>Part Number</i> | <i>Qty.</i> | <i>Description</i> | <i>Ref.</i> | <i>Part Number</i> | <i>Qty.</i> | <i>Description</i> |
|-------------|--------------------|-------------|------------------------|-------------|--------------------|-------------|----------------------------|
| 10 | 112-7026 | 1 | Wheel Bearing Case ASM | 95 | 98-9524 | 1 | Metal-Crankshaft (STD Set) |
| 15 | 115-4121 | 1 | Metal-Crankshaft (STD) | 100 | 98-9484 | 2 | Bolt-Case, Bearing |
| 20 | 98-9484 | 2 | Bolt-Case, Bearing | 110 | 98-9485 | 3 | Bolt-Case, Bearing |
| 30 | 98-9634 | 1 | Gasket-Case, Bearing | 120 | 115-4107 | 1 | Main Bearing Case ASM |
| 40 | 112-7046 | 1 | Cover-Case, Bearing | 125 | 98-9524 | 1 | Metal-Crankshaft (STD Set) |
| 50 | 112-0180 | 1 | Seal-Oil | 130 | 98-9484 | 2 | Bolt-Case, Bearing |
| 60 | 112-7037 | 1 | Gasket-Cover, Case | 140 | 115-4108 | 1 | Main Bearing Case ASM |
| 70 | 98-9352 | 8 | Bolt | 145 | 98-9524 | 1 | Metal-Crankshaft (STD Set) |
| 80 | 98-7568 | 9 | Bolt | 150 | 98-9484 | 2 | Bolt-Case, Bearing |
| 90 | 115-4106 | 1 | Main Bearing Case ASM | | | | |



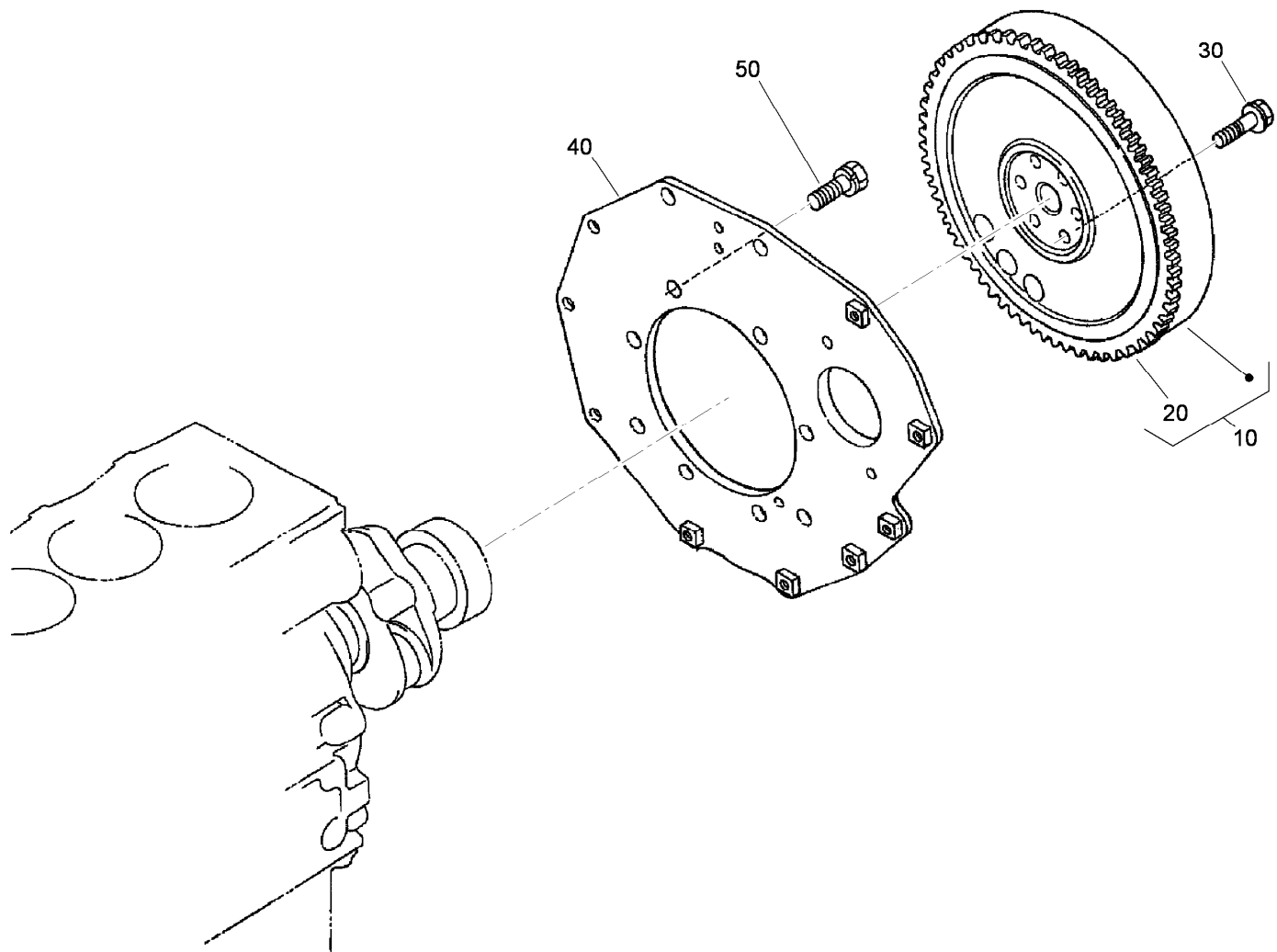
Cam Shaft and Idle Gear Assembly

| Ref. | Part Number | Qty. | Description |
|------|-------------|------|--------------------|
| 10 | 112-0185 | 8 | Tappet |
| 20 | 98-9509 | 8 | Rod-Push |
| 30 | 120-3116 | 1 | Camshaft ASM |
| 40 | 110-3729 | 1 | Ball |
| 50 | 98-9512 | 1 | Gear-Cam |
| 60 | 98-9378 | 1 | Key-Feather |
| 70 | 98-9510 | 1 | Stopper-Camshaft |
| 80 | 98-7692 | 2 | Bolt |
| 90 | 117-7584 | 1 | Idler Gear ASM |
| 100 | 117-7585 | 1 | Bushing-Gear, Idle |
| 110 | 98-9535 | 1 | Collar-Gear, Idle |
| 120 | 98-9536 | 1 | Collar-Gear, Idle |
| 130 | 98-9534 | 1 | Circlip-Gear, Idle |
| 140 | 98-9533 | 1 | Shaft-Gear, Idle |
| 150 | 98-7692 | 3 | Bolt |



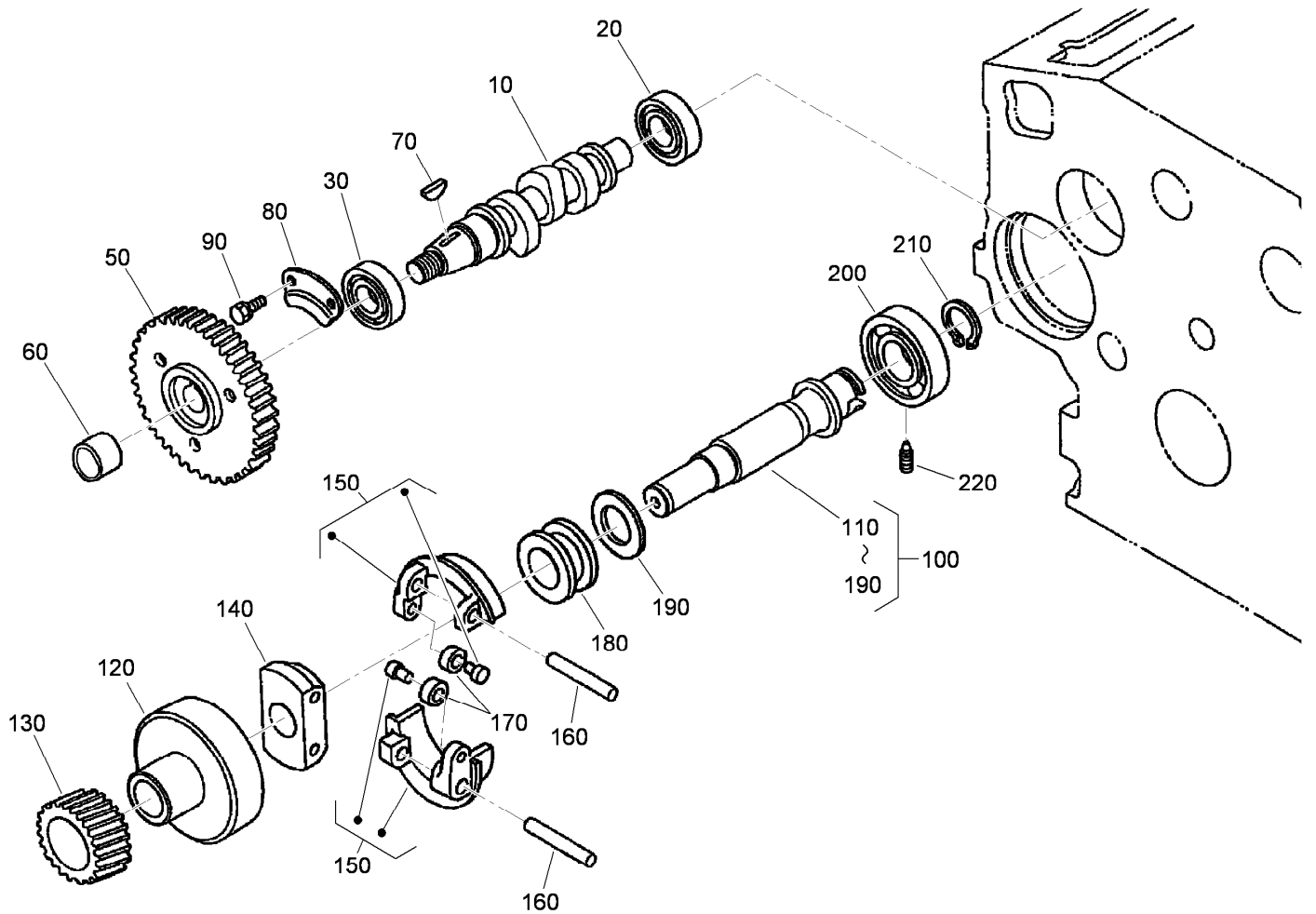
Piston and Crankshaft Assembly

| Ref. | Part Number | Qty. | Description | Ref. | Part Number | Qty. | Description |
|------|-------------|------|--------------------------|------|-------------|------|----------------------------|
| 10 | 112-8404 | 4 | Piston (STD) | 160 | 98-9521 | 1 | Collar-Crankshaft |
| 10 | 112-8414 | 4 | Piston (+0.5Mm) | 170 | 105-3783 | 1 | O-Ring |
| 20 | 98-9551 | 4 | Piston Ring ASM (STD) | 180 | 98-9523 | 1 | Metal Crankshaft (STD) |
| 20 | 108-1404 | 4 | Piston Ring ASM (+0.5Mm) | 180 | 98-9528 | 1 | Bearing-Main (-0.2Mm) |
| 30 | 98-9513 | 4 | Pin-Piston | 180 | 98-9529 | 1 | Bearing-Main (0.4Mm) |
| 40 | 98-9514 | 8 | Circlip-Pin, Piston | 190 | 98-9524 | 3 | Metal-Crankshaft (STD Set) |
| 50 | 117-7586 | 4 | Connecting Rod ASM | 190 | 98-9530 | 3 | Bearing-Main (0.2Mm) |
| 60 | 115-3014 | 4 | Bushing-Pin, Piston | 190 | 98-9531 | 3 | Bearing-Main (0.4Mm) |
| 70 | 98-9517 | 8 | Bolt-Rod, Connecting | 200 | 115-4121 | 1 | Metal-Crankshaft (STD) |
| 80 | 98-9520 | 4 | Bearing-Rod (0.4Mm) | 200 | 112-7039 | 1 | Metal-Crankshaft (0.2Mm) |
| 80 | 98-9519 | 4 | Bearing-Rod (-0.2Mm) | 200 | 112-7040 | 1 | Metal-Crankshaft (-0.4Mm) |
| 80 | 98-9518 | 4 | Metal-Crankpin (STD) | 210 | 98-9413 | 2 | Bearing-Thrust (STD) |
| 90 | 120-2561 | 1 | Crankshaft ASM | 210 | 98-9414 | 2 | Bearing-Thrust (0.2Mm) |
| 120 | 117-7561 | 1 | Gear-Crankshaft | 210 | 98-9415 | 2 | Bearing-Thrust (0.4Mm) |
| 130 | 98-9666 | 1 | Key | 220 | 98-9688 | 2 | Bearing-Thrust (STD) |
| 140 | 98-9542 | 1 | Gear-Drive, Oil Pump | 220 | 98-9689 | 2 | Bearing-Thrust (0.2Mm) |
| 150 | 98-9522 | 1 | Sleeve-Crankshaft | 220 | 98-9690 | 2 | Bearing-Thrust (0.4Mm) |



Flywheel Assembly

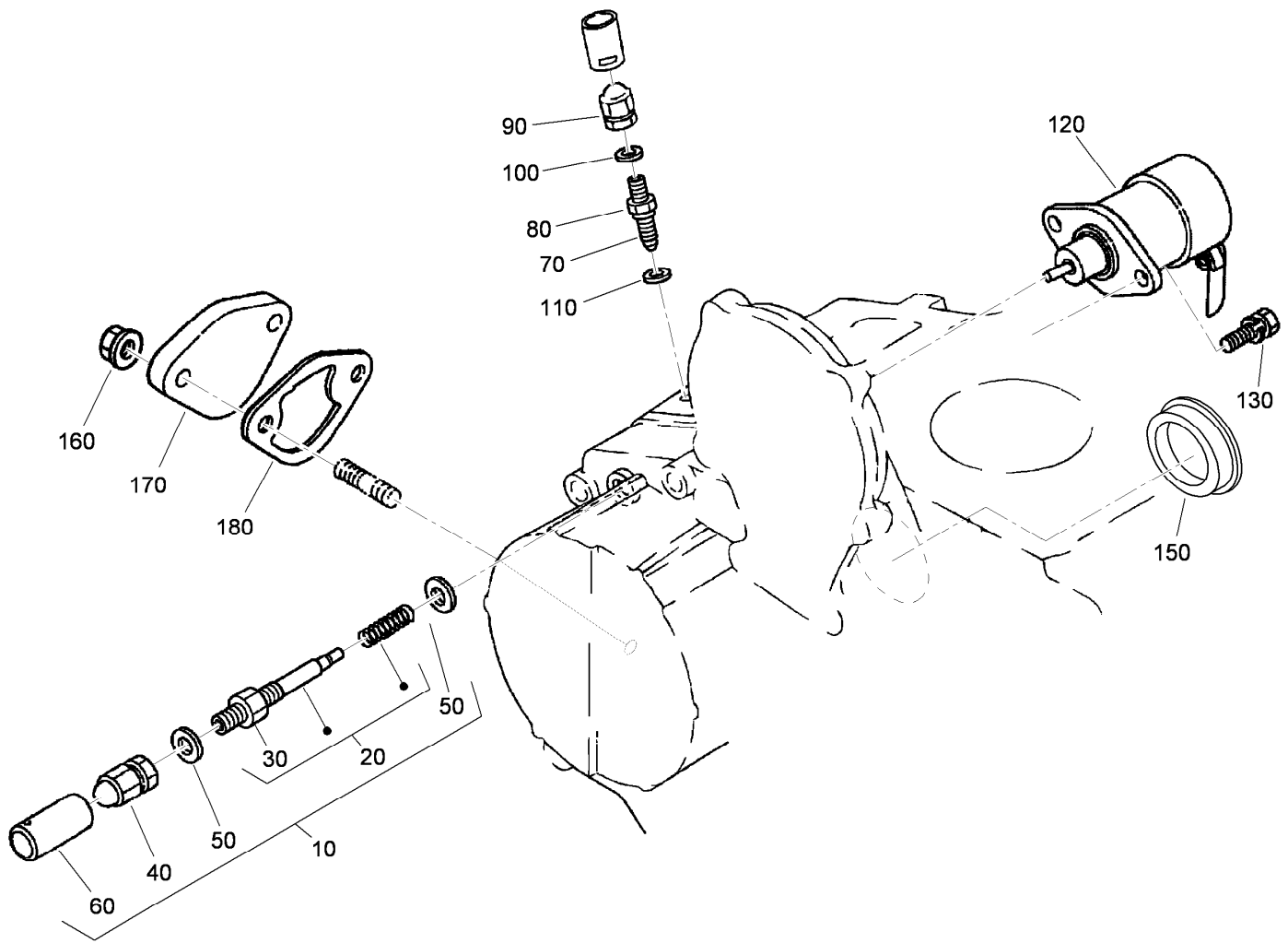
| <i>Ref.</i> | <i>Part Number</i> | <i>Qty.</i> | <i>Description</i> |
|-------------|--------------------|-------------|--------------------|
| 10 | 105-3721 | 1 | Flywheel ASM |
| 20 | 115-3015 | 1 | Gear-Ring |
| 30 | 98-9537 | 6 | Bolt-Flywheel |
| 40 | 98-9486 | 1 | Plate-End, Rear |
| 50 | 98-9392 | 8 | Bolt |



Fuel Camshaft and Governor Shaft Assembly

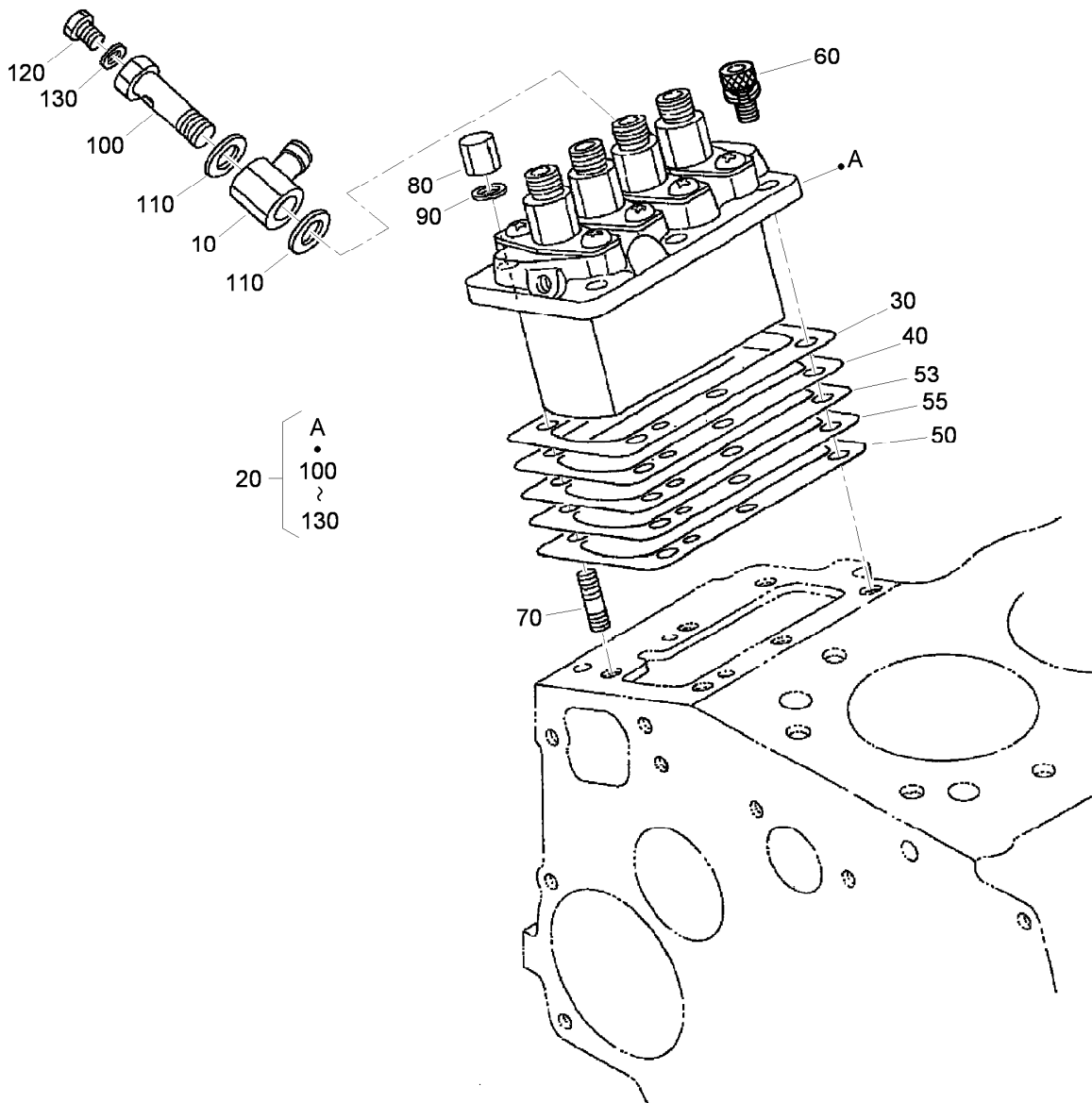
| Ref. | Part Number | Qty. | Description |
|------|-------------|------|------------------------|
| 10 | 105-3723 | 1 | Camshaft-Fuel |
| 20 | 107-9077 | 1 | Bearing-Ball |
| 30 | 107-9078 | 1 | Bearing-Ball |
| 50 | 120-2562 | 1 | Gear-Pump, Injection |
| 60 | 98-9590 | 1 | Nut-Cap |
| 70 | 98-9595 | 1 | Key-Woodruff |
| 80 | 98-9511 | 1 | Stopper-Fuel, Camshaft |
| 90 | 98-7692 | 2 | Bolt |
| 100 | 105-3724 | 1 | Governor Shaft ASM |
| 110 | 105-3725 | 1 | Shaft-Governor |
| 120 | 98-9562 | 1 | Holder-Gear, Governor |

| Ref. | Part Number | Qty. | Description |
|------|-------------|------|-------------------------|
| 130 | 98-9673 | 1 | Gear-Governor |
| 140 | 98-9561 | 1 | Holder-Weight, Governor |
| 150 | 98-9559 | 2 | Governor Weight ASM |
| 160 | 98-9560 | 2 | Shaft-Weight, Governor |
| 170 | 98-9692 | 2 | Roller |
| 180 | 98-9563 | 1 | Sleeve-Governor |
| 190 | 98-9564 | 1 | Washer-Thrust |
| 200 | 107-9079 | 1 | Bearing-Ball |
| 210 | 98-9657 | 1 | Circlip-Shaft, Governor |
| 220 | 98-9565 | 1 | Screw-Set |



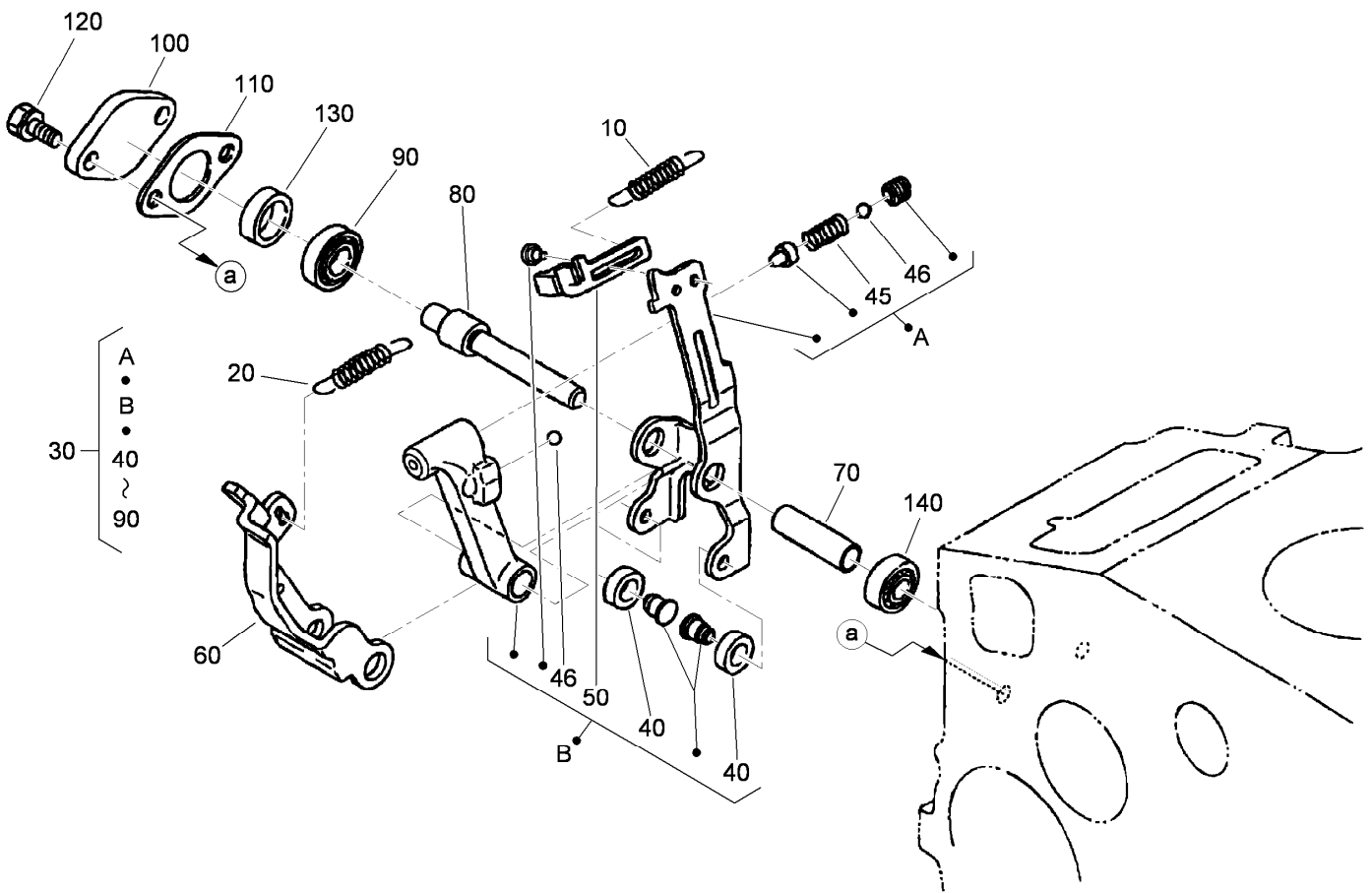
Idle Apparatus Assembly

| <i>Ref.</i> | <i>Part Number</i> | <i>Qty.</i> | <i>Description</i> | <i>Ref.</i> | <i>Part Number</i> | <i>Qty.</i> | <i>Description</i> |
|-------------|--------------------|-------------|--------------------|-------------|--------------------|-------------|--------------------|
| 10 | 98-9678 | 1 | Idle Apparatus ASM | 100 | 98-7654 | 1 | Gasket |
| 20 | 112-7014 | 1 | Adjusting Bolt ASM | 110 | 107-9081 | 1 | Gasket |
| 30 | 98-9439 | 1 | Nut | 120 | 104-5155 | 1 | Solenoid-Stop |
| 40 | 112-0181 | 1 | Nut | 130 | 115-3039 | 2 | Bolt-HSH |
| 50 | 98-7654 | 2 | Gasket | 150 | 112-7016 | 1 | Cover-Pump |
| 60 | 98-7656 | 1 | Cap | 160 | 100-2203 | 2 | Nut-Flange |
| 70 | 112-7015 | 1 | Bolt-Adjusting | 170 | 99-3514 | 1 | Cover |
| 80 | 100-2175 | 1 | Nut-Lock | 180 | 98-9636 | 1 | Gasket-Pump, Fuel |
| 90 | 112-0181 | 1 | Nut | | | | |



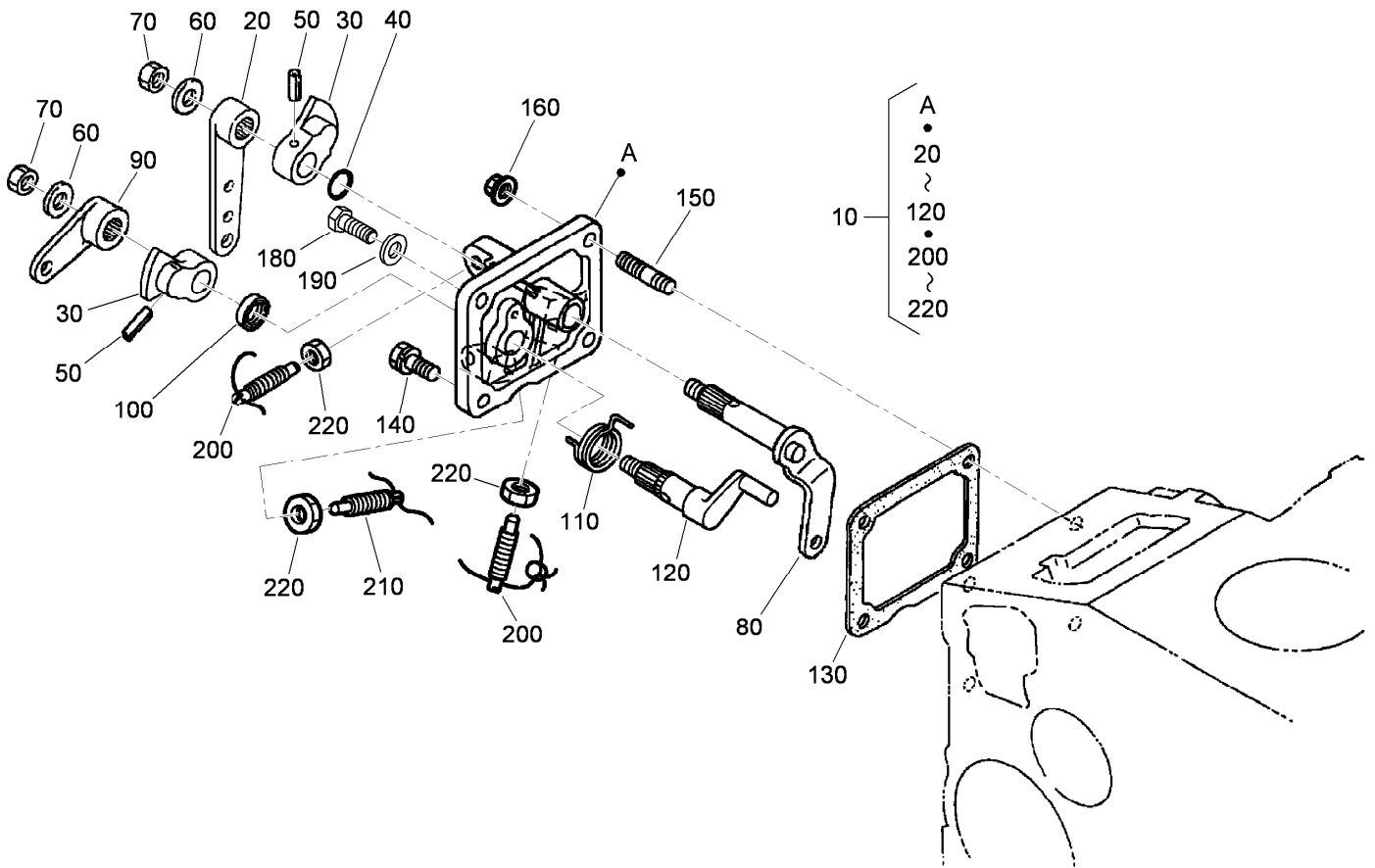
Injection Pump Assembly

| Ref. | Part Number | Qty. | Description |
|-------------|--------------------|-------------|-------------------------------|
| 10 | 98-9596 | 1 | Joint-Eye |
| 20 | 105-3727 | 1 | Injection Pump ASM |
| 30 | 105-3728 | 1 | Shim-Pump, Injection (.20Mm) |
| 40 | 105-3729 | 1 | Shim-Pump, Injection (.25Mm) |
| 50 | 105-3730 | 1 | Shim-Pump, Injection (.30Mm) |
| 53 | 115-3016 | 1 | Shim-Pump, Injection (.350Mm) |
| 55 | 115-3017 | 1 | Shim-Pump, Injection (.175Mm) |
| 60 | 117-7564 | 3 | Bolt-Hex Soc HD |
| 70 | 98-9438 | 3 | Stud |
| 80 | 98-9440 | 3 | Nut-Cap |
| 90 | 98-7699 | 6 | Washer-Spring |
| 100 | 98-9464 | 1 | Bolt-Joint |
| 110 | 98-9445 | 2 | Gasket |
| 120 | 98-9430 | 1 | Screw |
| 130 | 98-9446 | 1 | Gasket |



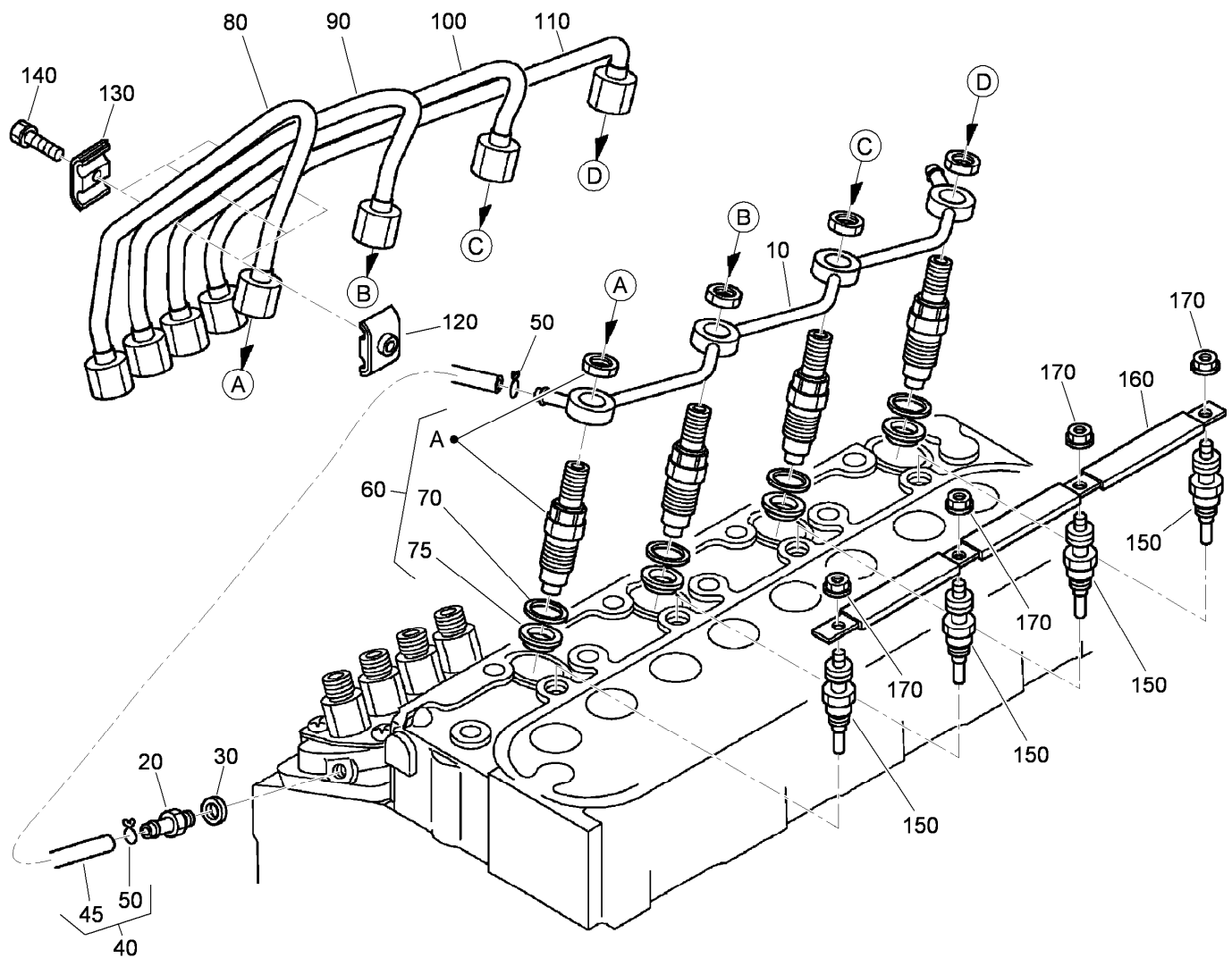
Governor Assembly

| <i>Ref.</i> | <i>Part Number</i> | <i>Qty.</i> | <i>Description</i> | <i>Ref.</i> | <i>Part Number</i> | <i>Qty.</i> | <i>Description</i> |
|-------------|--------------------|-------------|--------------------|-------------|--------------------|-------------|-------------------------|
| 10 | 105-3741 | 1 | Spring-Start | 70 | 107-9085 | 1 | Shaft-Lever, Fork |
| 20 | 98-9681 | 1 | Spring-Governor | 80 | 107-9086 | 1 | Shaft-Lever, Fork |
| 30 | 115-4502 | 1 | Fork Lever ASM | 90 | 98-9570 | 1 | Bearing-Miniaturize |
| 40 | 98-9692 | 2 | Roller | 100 | 115-4122 | 1 | Cover-Shaft, Fork Lever |
| 45 | 108-2867 | 1 | Spring | 110 | 98-9682 | 1 | Gasket |
| 46 | 98-7580 | 2 | Ball | 120 | 98-9350 | 2 | Bolt |
| 50 | 107-9083 | 1 | Lever-Thrust | 130 | 98-9567 | 1 | Collar |
| 60 | 107-9084 | 1 | Lever-Fork | 140 | 98-9571 | 1 | Bearing-Miniaturize |



Speed Control Plate Assembly

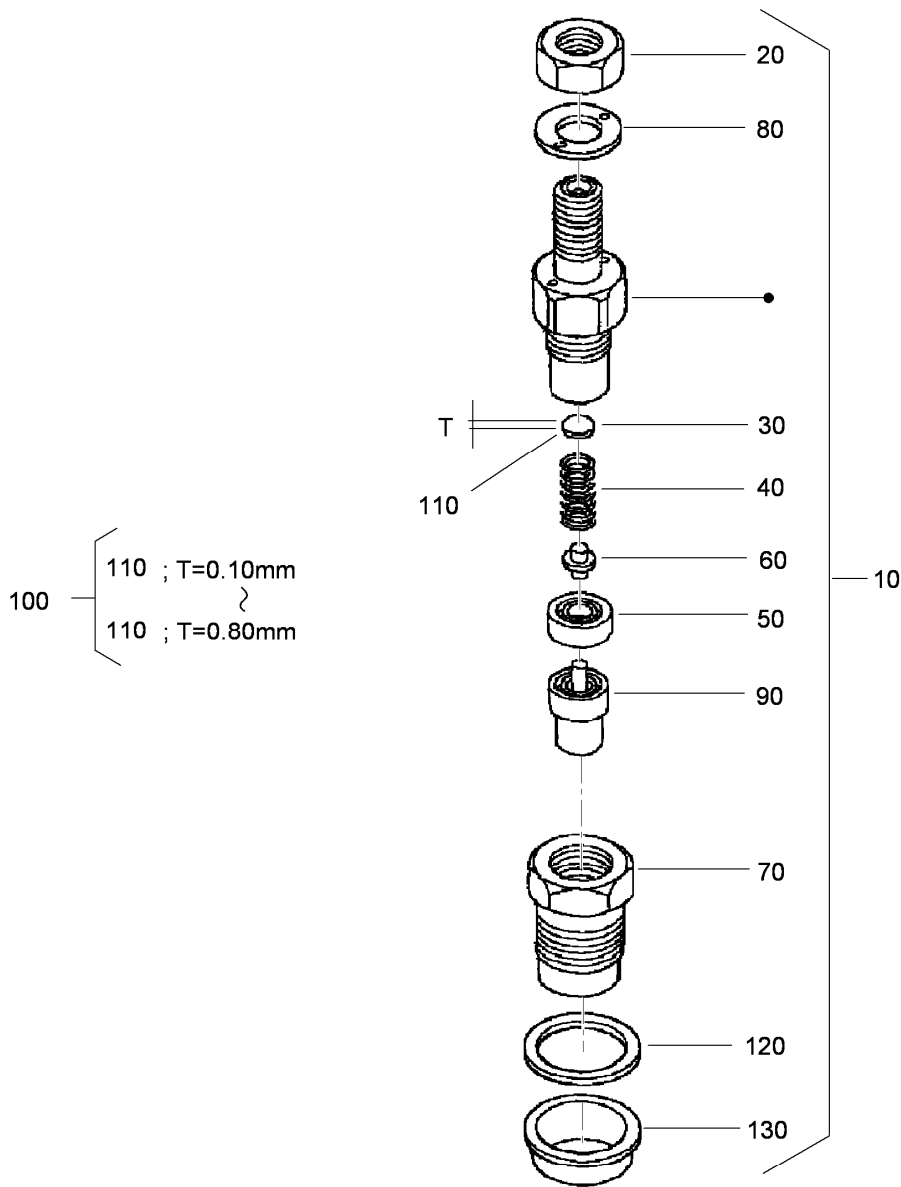
| <i>Ref.</i> | <i>Part Number</i> | <i>Qty.</i> | <i>Description</i> | <i>Ref.</i> | <i>Part Number</i> | <i>Qty.</i> | <i>Description</i> |
|-------------|--------------------|-------------|----------------------|-------------|--------------------|-------------|--------------------|
| 10 | 105-3735 | 1 | Control Plate ASM | 120 | 98-9664 | 1 | Shaft-Lever, Stop |
| 20 | 98-9662 | 1 | Lever-Control, Speed | 130 | 98-9637 | 1 | Gasket |
| 30 | 98-9572 | 2 | Lever-Control, Speed | 140 | 98-7692 | 1 | Bolt |
| 40 | 105-3788 | 1 | O-Ring | 150 | 105-3710 | 1 | Stud |
| 50 | 98-7602 | 2 | Pin-Spring | 160 | 98-7572 | 2 | Nut |
| 60 | 98-9594 | 2 | Washer-Plain | 180 | 99-8348 | 2 | Bolt |
| 70 | 98-9589 | 2 | Nut | 190 | 98-7654 | 2 | Gasket |
| 80 | 98-9658 | 1 | Governor Lever ASM | 200 | 117-7565 | 2 | Bolt-Adjusting |
| 90 | 98-9663 | 1 | Lever-Stop, Engine | 210 | 117-7566 | 1 | Bolt-Adjusting |
| 100 | 98-7601 | 1 | Seal-Oil | 220 | 98-7572 | 3 | Nut |
| 110 | 98-9472 | 1 | Spring-Return | | | | |



Nozzle Holder and Glow Plug Assembly

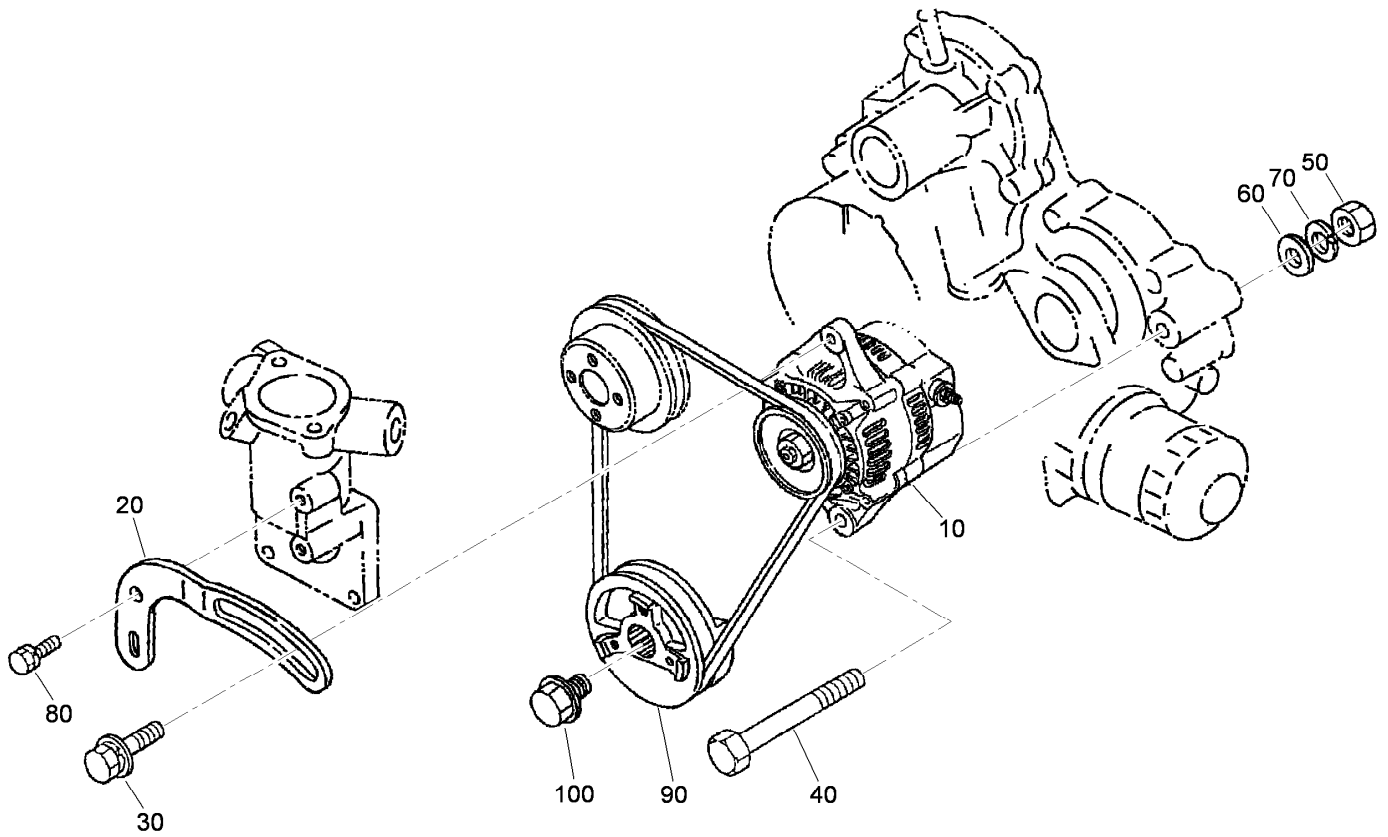
| Ref. | Part Number | Qty. | Description |
|------|-------------|------|--------------------|
| 10 | 105-3737 | 1 | Over Flow Pipe ASM |
| 20 | 98-9431 | 1 | Screw-Bleeder, Air |
| 30 | 98-7654 | 1 | Gasket |
| 40 | 98-9420 | 1 | Overflow Pipe ASM |
| 45 | 112-0182 | 1 | Pipe-Overflow |
| 50 | 98-7671 | 2 | Clip-Pipe |
| 60 | 115-3018 | 4 | Nozzle Holder Kit |
| 70 | 98-7676 | 4 | Gasket |
| 75 | 98-7677 | 4 | Seal-Heat |
| 80 | 98-9653 | 1 | Pipe-Injection |

| Ref. | Part Number | Qty. | Description |
|------|-------------|------|------------------|
| 90 | 98-9654 | 1 | Pipe-Injection |
| 100 | 98-9655 | 1 | Pipe-Injection |
| 110 | 105-3738 | 1 | Pipe-Injection |
| 120 | 98-7682 | 3 | Clamp-Pipe |
| 130 | 98-7683 | 3 | Clamp-Pipe |
| 140 | 98-7684 | 3 | Screw (W/Washer) |
| 150 | 115-3019 | 4 | Plug-Glow |
| 160 | 105-3739 | 1 | Cord-Plug, Glow |
| 170 | 99-8377 | 4 | Nut-Flange |



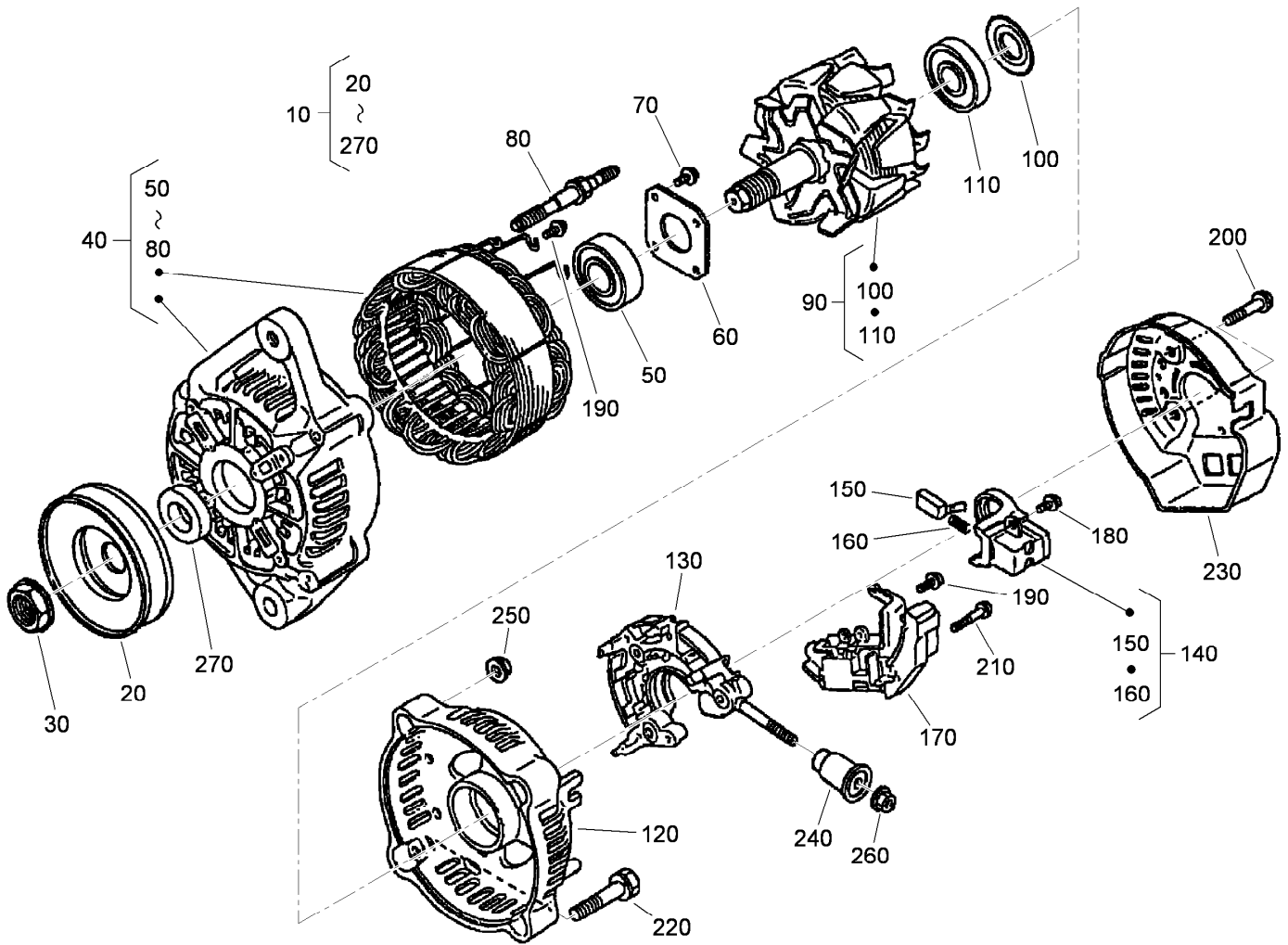
Nozzle Holder Component Assembly

| Ref. | Part Number | Qty. | Description | Ref. | Part Number | Qty. | Description |
|------|-------------|------|------------------------|------|-------------|------|------------------------|
| 10 | 115-3018 | 4 | Nozzle Holder Kit | 110 | 99-8311 | 4 | Washer-Adjust (0.20Mm) |
| 20 | 99-8301 | 4 | Nut | 110 | 99-8312 | 4 | Washer-Adjust (0.30Mm) |
| 30 | 99-8302 | 4 | Washer-Adjusting | 110 | 99-8313 | 4 | Washer-Adjust (0.40Mm) |
| 40 | 99-8303 | 4 | Spring-Nozzle | 110 | 99-8314 | 4 | Washer-Adjust (0.50Mm) |
| 50 | 99-8304 | 4 | Spacer-Distance | 110 | 99-8315 | 4 | Washer-Adjust (0.52Mm) |
| 60 | 99-8305 | 4 | Rod-Push | 110 | 99-8316 | 4 | Washer-Adjust (0.54Mm) |
| 70 | 99-8306 | 4 | Nut-Nozzle | 110 | 99-8317 | 4 | Washer-Adjust (0.56Mm) |
| 80 | 99-8307 | 4 | Washer-Plain | 110 | 99-8318 | 4 | Washer-Adjust (0.58Mm) |
| 90 | 115-3020 | 4 | Piece-Nozzle | 110 | 99-8319 | 4 | Washer-Adjust (0.80Mm) |
| 100 | 99-8309 | 4 | Adjusting Washer ASM | 120 | 98-7676 | 4 | Gasket |
| 110 | 99-8310 | 4 | Washer-Adjust (0.10Mm) | 130 | 98-7677 | 4 | Seal-Heat |



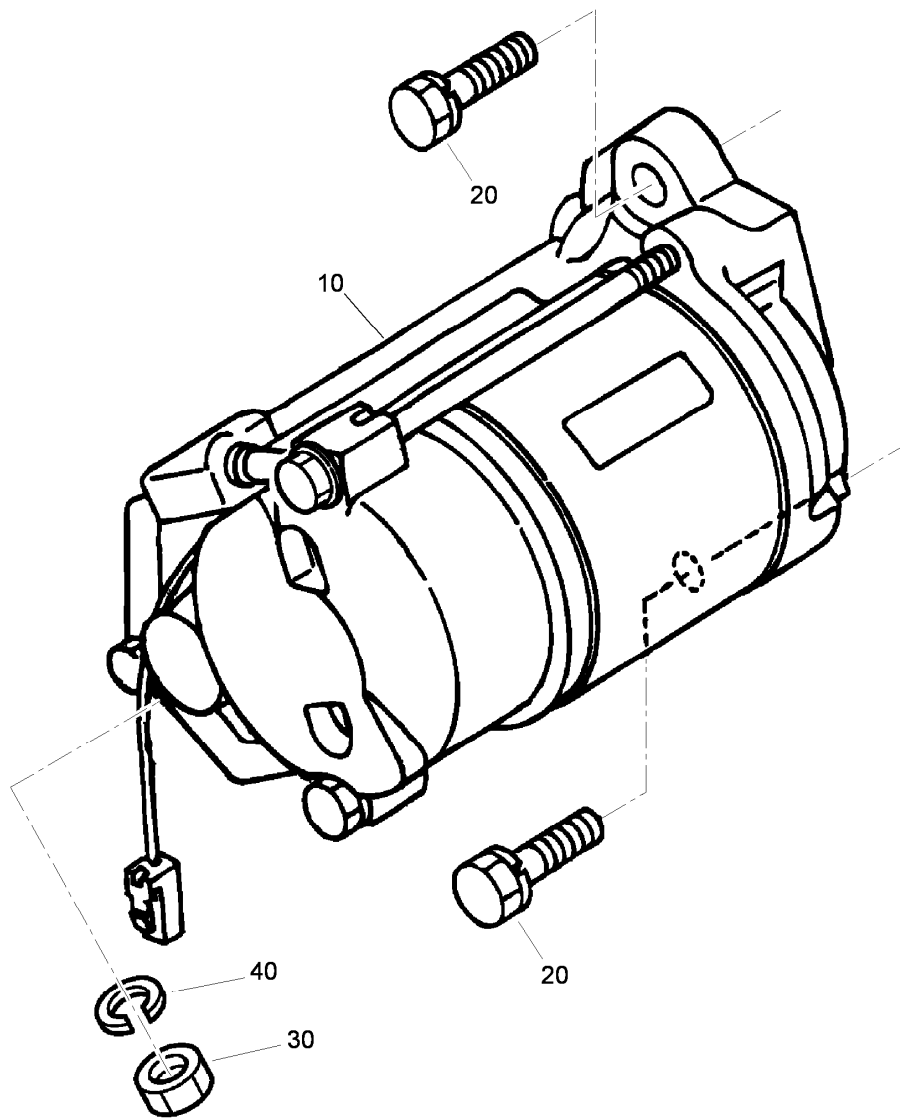
Alternator and Pulley Assembly

| <i>Ref.</i> | <i>Part Number</i> | <i>Qty.</i> | <i>Description</i> |
|-------------|--------------------|-------------|-----------------------|
| 10 | 117-5541 | 1 | 60 Amp Alternator ASM |
| 20 | 117-5542 | 1 | Bracket |
| 30 | 108-7088 | 1 | Bolt |
| 40 | 98-9360 | 1 | Bolt |
| 50 | 98-7737 | 1 | Nut |
| 60 | 98-7696 | 1 | Washer-Plain |
| 70 | 98-7738 | 1 | Washer-Spring |
| 80 | 98-7692 | 1 | Bolt |
| 90 | 105-3745 | 1 | Pulley-Drive, Fan |
| 100 | 98-9585 | 1 | Bolt |



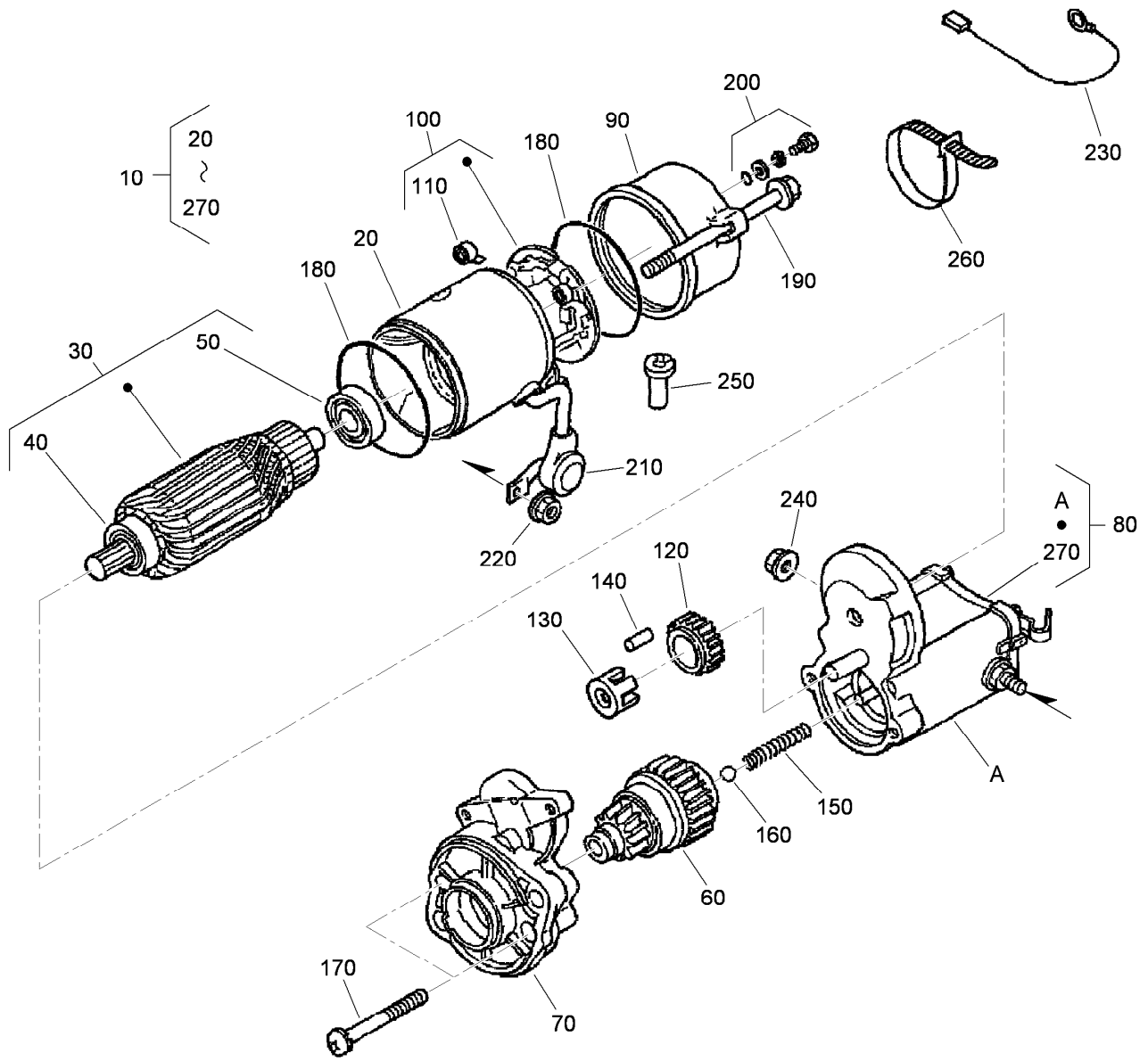
Alternator Components

| Ref. | Part Number | Qty. | Description | Ref. | Part Number | Qty. | Description |
|------|-------------|------|-----------------------|------|-------------|------|-------------------|
| 10 | 117-5541 | 1 | 60 Amp Alternator ASM | 150 | 98-7724 | 2 | Brush |
| 20 | 98-9453 | 1 | Pulley-Dynamo | 160 | 98-7725 | 2 | Spring-Brush |
| 30 | 98-7708 | 1 | Nut | 170 | 117-0319 | 1 | Regulator ASM |
| 40 | 117-0316 | 1 | Drive End Frame ASM | 180 | 98-7728 | 1 | Screw-Head, Round |
| 50 | 107-0137 | 1 | Bearing-Ball | 190 | 98-7727 | 6 | Screw-Head, Round |
| 60 | 98-7715 | 1 | Plate-Retainer | 200 | 98-7729 | 3 | Bolt |
| 70 | 98-7716 | 4 | Screw-Head, Round | 210 | 98-7726 | 2 | Screw-Head, Round |
| 80 | 98-7717 | 2 | Bolt-Through | 220 | 98-7731 | 2 | Bolt |
| 90 | 117-0317 | 1 | Rotor ASM | 230 | 117-0320 | 1 | Cover-End |
| 100 | 98-7711 | 1 | Cover-Bearing | 240 | 117-0321 | 1 | Insulation-Brush |
| 110 | 107-0138 | 1 | Bearing-Ball | 250 | 98-7730 | 2 | Nut |
| 120 | 133-2813 | 1 | Frame-End | 260 | 98-7732 | 1 | Nut |
| 130 | 117-0322 | 1 | Holder | 270 | 98-7709 | 1 | Collar |
| 140 | 107-0141 | 1 | Brush Holder ASM | | | | |



Starter Assembly

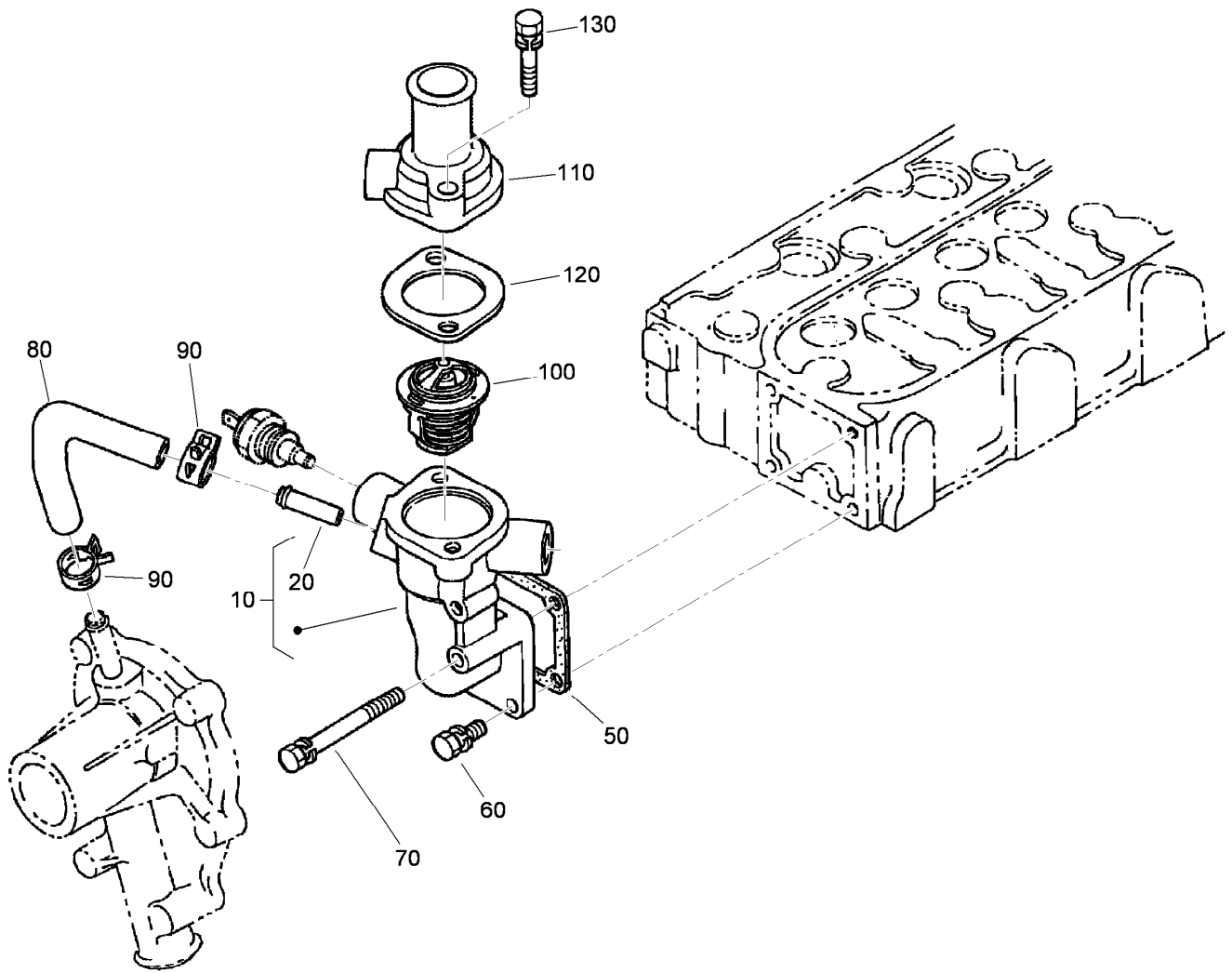
| <i>Ref.</i> | <i>Part Number</i> | <i>Qty.</i> | <i>Description</i> |
|-------------|--------------------|-------------|--------------------|
| 10 | 98-9705 | 1 | Starter ASM |
| 20 | 98-7697 | 2 | Bolt |
| 30 | 98-7739 | 1 | Nut |
| 40 | 105-2893 | 1 | Washer-Spring |



Starter (Component Part) Assembly

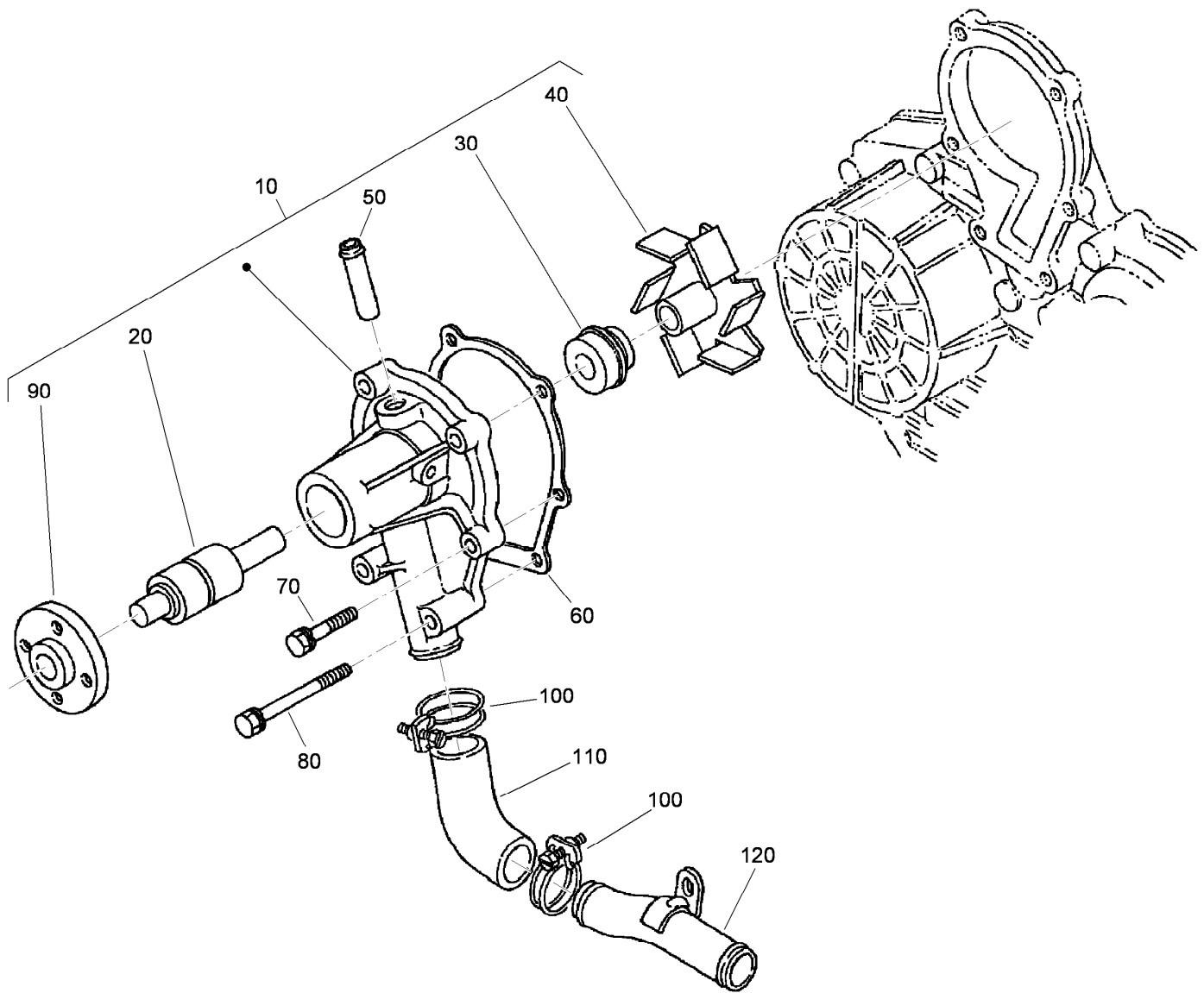
| Ref. | Part Number | Qty. | Description |
|------|-------------|------|----------------------|
| 10 | 98-9705 | 1 | Starter ASM |
| 20 | 104-8608 | 1 | Yoke ASM |
| 30 | 98-7742 | 1 | Armature ASM |
| 40 | 98-7744 | 1 | Bearing |
| 50 | 98-7743 | 1 | Bearing |
| 60 | 99-8373 | 1 | Clutch-Running, Over |
| 70 | 99-8374 | 1 | Frame-End, Drive |
| 80 | 105-3746 | 1 | Magnetic Switch ASM |
| 90 | 98-7748 | 1 | Frame-End |
| 100 | 98-7749 | 1 | Brush Holder ASM |
| 110 | 98-7750 | 4 | Spring-Brush |
| 120 | 98-7751 | 1 | Gear |
| 130 | 98-7752 | 1 | Retainer |
| 140 | 98-7753 | 5 | Roller |

| Ref. | Part Number | Qty. | Description |
|------|-------------|------|---------------------|
| 150 | 98-7754 | 1 | Spring |
| 160 | 98-7755 | 1 | Ball |
| 170 | 98-7756 | 2 | Bolt |
| 180 | 98-7757 | 2 | O-Ring |
| 190 | 100-9240 | 2 | Bolt |
| 200 | 98-7758 | 2 | Bolt ASM |
| 210 | 99-8375 | 1 | Cover |
| 220 | 99-8371 | 1 | Nut-Hex |
| 230 | 98-9711 | 1 | Cord-Solenoid, Stop |
| 240 | 99-8376 | 1 | Nut-Hex |
| 250 | 98-7759 | 1 | Pipe-Drain |
| 260 | 98-9712 | 1 | Band-Cover |
| 270 | 105-2886 | 1 | Cover ASM |



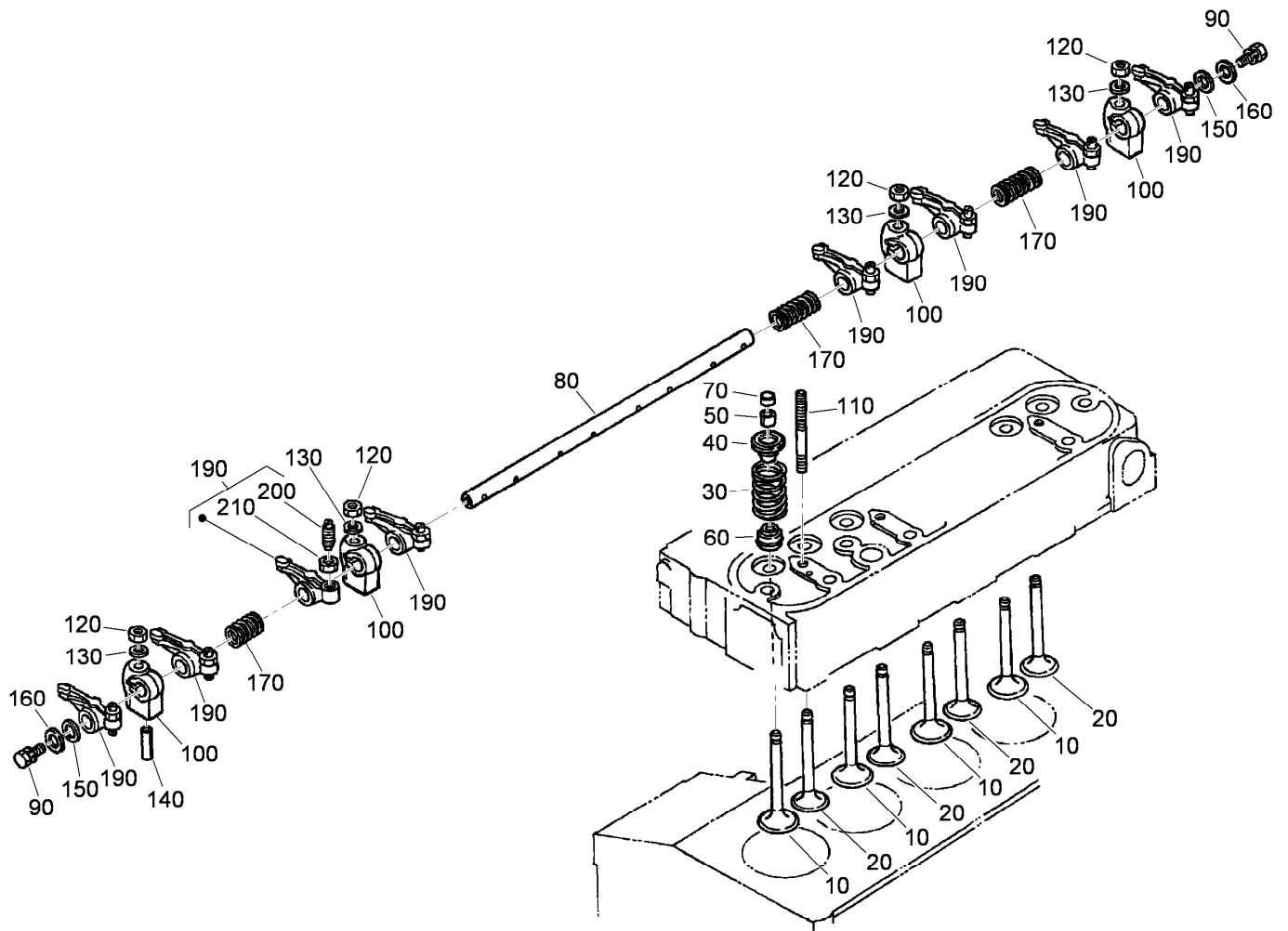
Water Flange Assembly

| Ref. | Part Number | Qty. | Description |
|------|-------------|------|----------------------|
| 10 | 98-9713 | 1 | Water Flange ASM |
| 20 | 98-9580 | 1 | Pipe-Return, Water |
| 50 | 98-9638 | 1 | Gasket-Flange, Water |
| 60 | 98-7692 | 3 | Bolt |
| 70 | 98-9356 | 1 | Bolt |
| 80 | 98-9578 | 1 | Pipe-Return, Water |
| 90 | 98-9579 | 2 | Band-Pipe |
| 100 | 98-7778 | 1 | Thermostat ASM |
| 110 | 98-9471 | 1 | Cover-Thermostat |
| 120 | 105-3748 | 1 | Gasket-Thermostat |
| 130 | 98-7777 | 2 | Bolt |



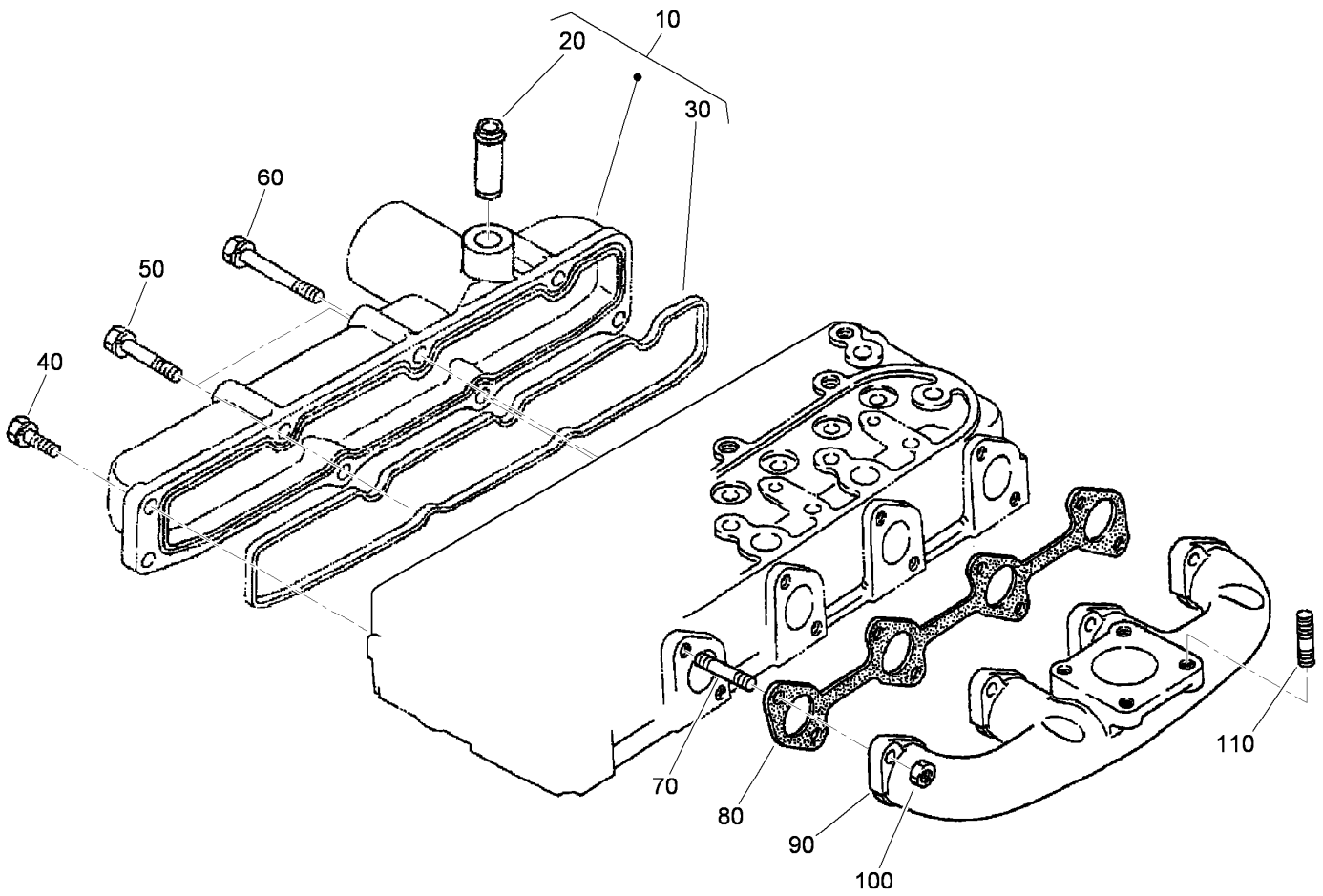
Water Pump Assembly

| <i>Ref.</i> | <i>Part Number</i> | <i>Qty.</i> | <i>Description</i> |
|-------------|--------------------|-------------|----------------------|
| 10 | 107-9089 | 1 | Water Pump ASM |
| 20 | 99-3517 | 1 | Bearing-Pump, Water |
| 30 | 105-3750 | 1 | Mechanical Seal ASM |
| 40 | 112-7017 | 1 | Impeller-Pump, Water |
| 50 | 100-1932 | 1 | Pipe-Return, Water |
| 60 | 99-3454 | 1 | Gasket-Pump, Water |
| 70 | 98-9353 | 4 | Bolt |
| 80 | 107-9090 | 2 | Bolt |
| 90 | 99-3516 | 1 | Flange-Pump, Water |
| 100 | 98-9717 | 2 | Clamp |
| 110 | 107-9091 | 1 | Pipe-Water |
| 120 | 98-9716 | 1 | Pipe-Water |



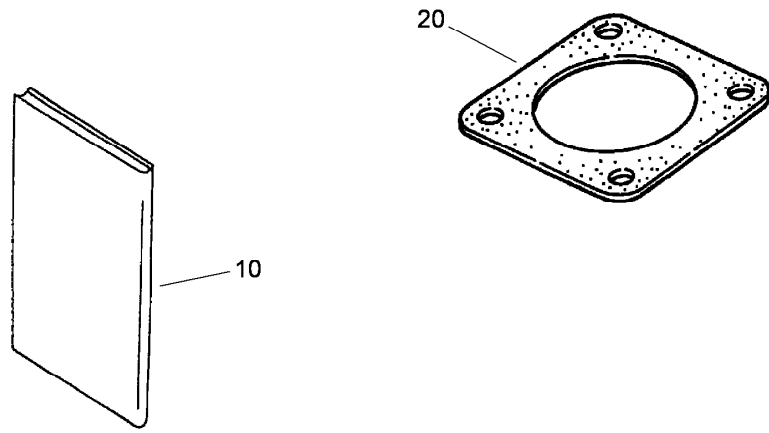
Valve and Rocker Arm Assembly

| <i>Ref.</i> | <i>Part Number</i> | <i>Qty.</i> | <i>Description</i> | <i>Ref.</i> | <i>Part Number</i> | <i>Qty.</i> | <i>Description</i> |
|-------------|--------------------|-------------|----------------------|-------------|--------------------|-------------|--------------------------|
| 10 | 120-2563 | 4 | Valve-Inlet | 110 | 98-9506 | 4 | Stud |
| 20 | 120-2564 | 4 | Valve-Exhaust | 120 | 98-9393 | 4 | Nut |
| 30 | 98-9648 | 8 | Spring-Valve | 130 | 98-9385 | 4 | Washer-Flat |
| 40 | 107-9092 | 8 | Retainer-Spring | 140 | 105-3758 | 1 | Pin-Spring |
| 50 | 117-7572 | 8 | Collet-Spring, Valve | 150 | 98-9507 | 2 | Washer-Shaft, Rocker Arm |
| 60 | 99-8385 | 8 | Seal-Stem, Valve | 160 | 110-3832 | 2 | Washer-Plain |
| 70 | 98-9497 | 8 | Cap-Valve | 170 | 98-9504 | 2 | Spring-Arm, Rocker |
| 80 | 105-3790 | 1 | R-Arm Shaft ASM | 190 | 112-7020 | 8 | Rocker Arm ASM |
| 90 | 100-9265 | 2 | Bolt | 200 | 98-9502 | 8 | Screw-Adjusting |
| 100 | 98-9505 | 4 | Bracket-Arm, Rocker | 210 | 98-9503 | 8 | Nut |



Intake and Exhaust Manifold Assembly

| <i>Ref.</i> | <i>Part Number</i> | <i>Qty.</i> | <i>Description</i> |
|-------------|--------------------|-------------|--------------------------|
| 10 | 108-2874 | 1 | Intake Manifold ASM |
| 20 | 98-9492 | 1 | Joint-Pipe, Breather |
| 30 | 105-3760 | 1 | Gasket-Manifold, Intake |
| 40 | 98-7605 | 3 | Bolt |
| 50 | 98-9353 | 2 | Bolt |
| 60 | 105-3797 | 3 | Bolt |
| 70 | 98-9588 | 8 | Stud |
| 80 | 105-3765 | 1 | Gasket-Manifold, Exhaust |
| 90 | 112-0187 | 1 | Manifold-Exhaust |
| 100 | 98-9665 | 8 | Nut |
| 110 | 98-7769 | 4 | Stud |



Muffler Gasket and Operator Manual

| <i>Ref.</i> | <i>Part Number</i> | <i>Qty.</i> | <i>Description</i> |
|-------------|--------------------|-------------|-------------------------|
| 10 | 117-8836 | 1 | Manual-Operator, Kubota |
| 20 | 99-8343 | 1 | Gasket-Muffler |

Attachments and Accessories

For 31230 Groundsmaster 360 2-Wheel Drive Multi-Purpose Machine

| Product Name | Model/Part |
|---|-------------------|
| Green Diesel Cap | 107-2172 |
| Spark Arrestor | 117-3281 |
| 400-hour Filter Maintenance Kit..... | 30052 |
| MVP Filter Kit..... | 30261 |
| Speed Reduction Kit, 2015 and After Groundsmaster 360 Multi-Purpose Machine | 30287 |
| Beacon Kit | 120-0256 |
| Electrical Accessory Kit | 115-0019 |
| Registration Plate Kit | 120-6678 |
| Jack Stand Kit..... | 30579 |
| Hitch Kit | 130-8716 |
| Differential Lock (2 Wheel Drive) | 30508 |
| Premium Transmission/Hydraulic Tractor Fluid (55 Gallon Drum)..... | 108-1183 |
| Premium Transmission/Hydraulic Tractor Fluid (5 Gallon Pail) | 108-1184 |
| 72in Side Discharge Deck..... | 30481 |
| Blade-Belt Kit, 72in Side Discharge Deck | 105-7272 |
| Premium Engine Oil 15w40 (55 Gallon Drum) | 121-6394 |
| Atomic Blade Kit (3 Blade Pack) | 119-8020 |
| Premium Engine Oil 15w40 (5 Gallon Pail) | 121-6395 |
| Blade-Rotary, Atomic (24.5in)..... | 110-0624-03 |
| Blade-Rotary, Medium Flow (24.5in)..... | 110-0621-03 |
| Leaf Mulching Kit | 108-5273 |
| Hardtop Sunshade..... | 30359 |
| 72in Side Discharge Mower (CE)..... | 30354 |
| 5in Air Cleaner Safety Element | 114-4057 |
| CE Kit, 72in Side Deck With French Guards | 30679 |
| High Lift Collection | 30866 |
| Carrier Frame Asm for High Lift Collection | 30869 |
| Hydraulic and Electrical Mounting Kit for High Lift Collection..... | 30801 |
| Parking Stand Kit for High Lift Collection..... | 30818 |
| Light Kit for High Lift Collection | 30816 |
| Controller Kit for High Lift Collection | 30897 |
| 72in Guardian and Rear Discharge CE Mower Cover Kit | 30685 |
| 72in Base Deck..... | 30353 |
| Blade-Belt Kit, 72in Guardian Only | 105-7271 |
| 72in Guardian Recycler Completion Kit | 30304 |
| 72in Guardian Fine Recycler Completion Kit | 30346 |
| Bahiagrass Baffle Kit | 105-7269 |
| Blade-Flat | 112-9586-03 |
| Hourmeter, Wireless Hourmeter System | 115-4754 |
| 72in Rear Discharge Completion Kit | 30549 |
| CE Guard Kit, Groundsmaster 360 Multi-Purpose Machine | 30689 |
| Road Homologation Light Kit, Non-Cab Unit (Europe) | 30512 |
| Road Light Kit, Non Cab Unit (North America) | 30513 |
| Slow Moving Vehicle Sign Kit..... | 115-0014 |
| Locking Latch | 98-9315 |
| Grammer Seat with Air Ride Suspension..... | 30511 |

Attachments and Accessories (continued)

| | |
|---|-------------|
| Vinyl Backrest Extension Kit | 120-0583 |
| 100in Rear Discharge Deck | 31101 |
| Adapter Kit, 100in Rear Discharge Mower for 2-Wheel Drive or 2013 and Before 4-Wheel Drive Groundsmaster 360 Traction Unit | 31102 |
| Adapter Kit, 100in Rear Discharge Deck for 2014 and After Groundsmaster 360 4-Wheel Drive Traction Unit | 31103 |
| Leaf Mulching Kit for 100in Rear Discharge Deck | 31105 |
| 100in CE Mower Cover Kit..... | 30687 |
| Standard Blade Kit for 100in Rear Discharge Deck..... | 131-3364 |
| Blade-Combination (19in)..... | 106-7166-03 |
| Blade-combination (25.18in)..... | 125-9444-03 |

Notes:

Notes:



Count on it.