



**Count on it.**

**Parts Catalog**

**Groundsmaster® 3280-D  
Traction Unit**

Model No. 30344—Serial No. 40000000 and Up



# Ordering Replacement Parts

To order replacement parts, please supply the part number, the quantity, and the description of each part desired.

## Understanding Reference Numbers

Each identified part in an illustration has a reference number. The reference number for a part also appears in the parts list, along with other information about the part.

This catalog uses two special reference number formats, one to indicate parts in a service assembly and another to indicate the quantity of a given part in an illustration.

## Service Assembly Reference Numbers

Parts in service assemblies have reference numbers in the form a:b. The a represents the reference number of the entire service assembly and the b represents a sequential number unique to each part within the service assembly.

For example, a wheel assembly might be identified by reference number 6, the tire by 6:1, the valve by 6:2, and the wheel by 6:3. When you order the assembly identified by reference number 6, you receive all parts identified by reference numbers 6:1, 6:2, and 6:3. However, you may also order any part individually. Reference numbers of this type appear in illustration and in parts lists.

## Reference Numbers Indicating Quantity

In an illustration, if a reference number indicates more than one part, the reference number has the form nX y. The n represents the quantity of the part, the X is the multiplication symbol, and the y represents the reference number.

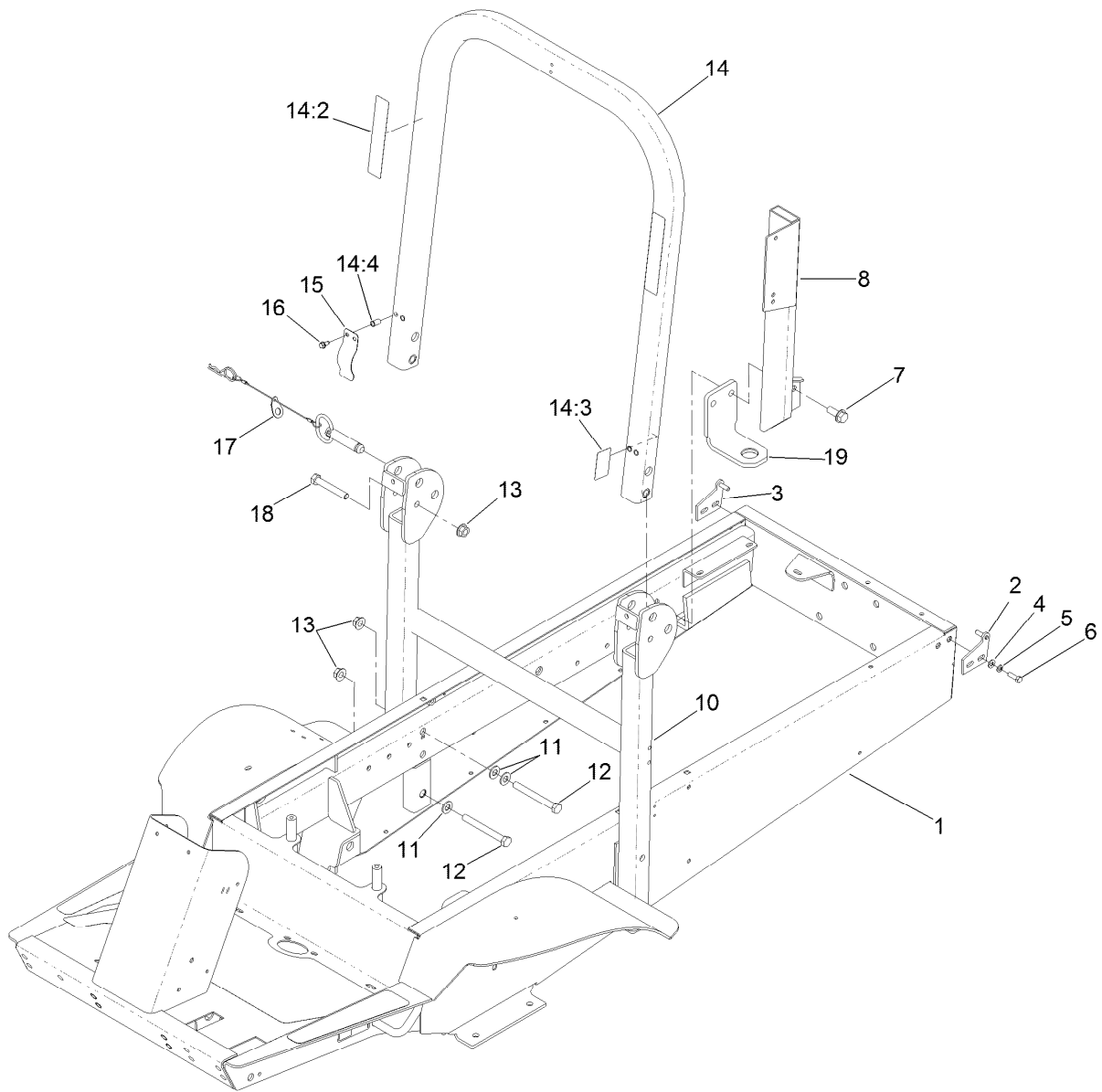
For example, in an illustration, the reference number 2X 37 means that two of the parts identified by reference number 37 are indicated.

# Contents

Frame and Roll-Over Protection System Assembly .....	5
Frame Assembly No. 132-7210 .....	6
Front Axle and Wheel Assembly .....	7
Front Axle Assembly No. 131-6061-03 .....	8
Rear Steering Assembly .....	11
Rear Axle Assembly .....	13
Steering Cylinder Assembly No. 115-4525 .....	14
Engine, Clutch, Air Cleaner and Drive Shaft Assembly .....	15
Air Cleaner Assembly No. 104-3427 .....	17
Driveshaft Assembly No. 131-6087 .....	18
Engine Mounting and Clutch Assembly .....	19
Radiator and Cooler Assembly .....	20
Fuel Tank and Control Panel Assembly .....	22
Fuel Lines and Filter Assembly .....	24
Throttle Control Assembly .....	25
PTO Drive Assembly .....	26
PTO Driveshaft Assembly No. 108-1366 .....	27
Traction Pedal Assembly .....	28
Transmission Linkage Assembly .....	29
Brake Pedal and Linkage Assembly .....	30
Hood Assembly .....	31
Steering Assembly .....	32
Steer Valve Assembly No. 131-5624 .....	33
Hydraulic Assembly .....	34
Valve Assembly No. 132-7243 .....	35
Transmission Hydraulic Assembly .....	36
Hydraulic Pump Assembly No. 133-6385 .....	38
Hydraulic Motor Assembly No. 130-8724 .....	40
Battery Assembly .....	41
Crankcase Assembly .....	42
Oil Pan and Dipstick Assembly .....	43
Cylinder Head Assembly .....	44
Gear Case and Oil Filter Cartridge Assembly .....	45
Cylinder Head Cover Assembly .....	46
Main Bearing Case Assembly .....	47
Camshaft and Idle Gear Shaft Assembly .....	48
Piston and Crankshaft Assembly .....	49
Fuel Camshaft and Governor Shaft Assembly .....	50
Idle Apparatus Assembly .....	51
Stop Solenoid and Fuel Pump Cover Assembly .....	52
Injection Pump Assembly .....	53
Governor Assembly .....	54
Speed Control Plate Assembly .....	55
Nozzle Holder and Glow Plug Assembly .....	56
Nozzle Holder Assembly .....	57
Alternator and Pulley Assembly .....	58
Alternator Components Assembly .....	59
Starter and Flywheel Assembly .....	60
Starter Component Assembly .....	61
Water Flange and Thermostat Assembly .....	62
Water Pump Assembly .....	63
Valve and Rocker Arm Assembly .....	64
Inlet and Exhaust Manifold Assembly .....	65
Miscellaneous Engine Parts .....	66

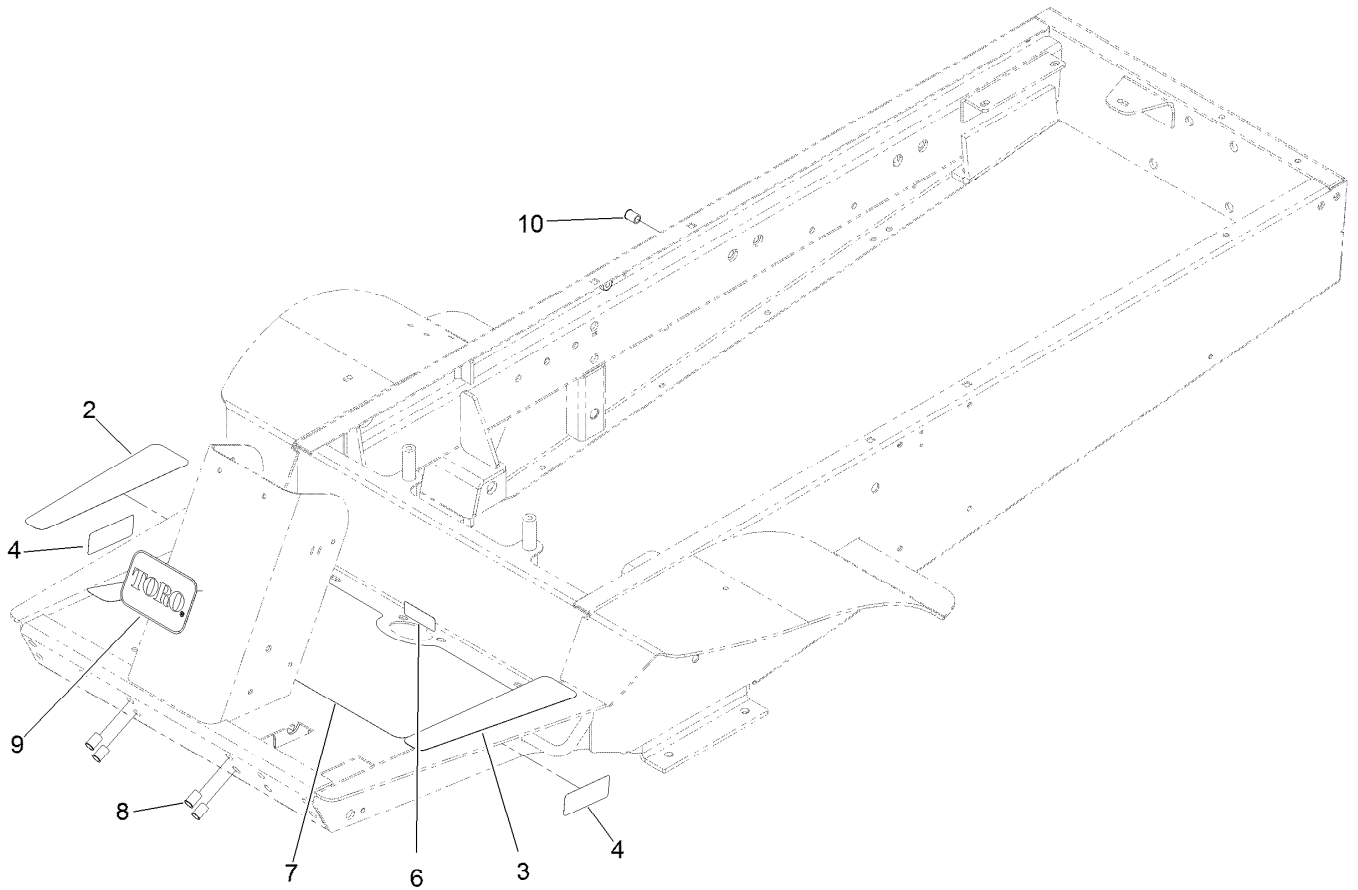
# Contents (continued)

Upper Gasket Kit ..... 67  
Lower Engine Gasket Kit..... 68  
Attachments and Accessories ..... 69



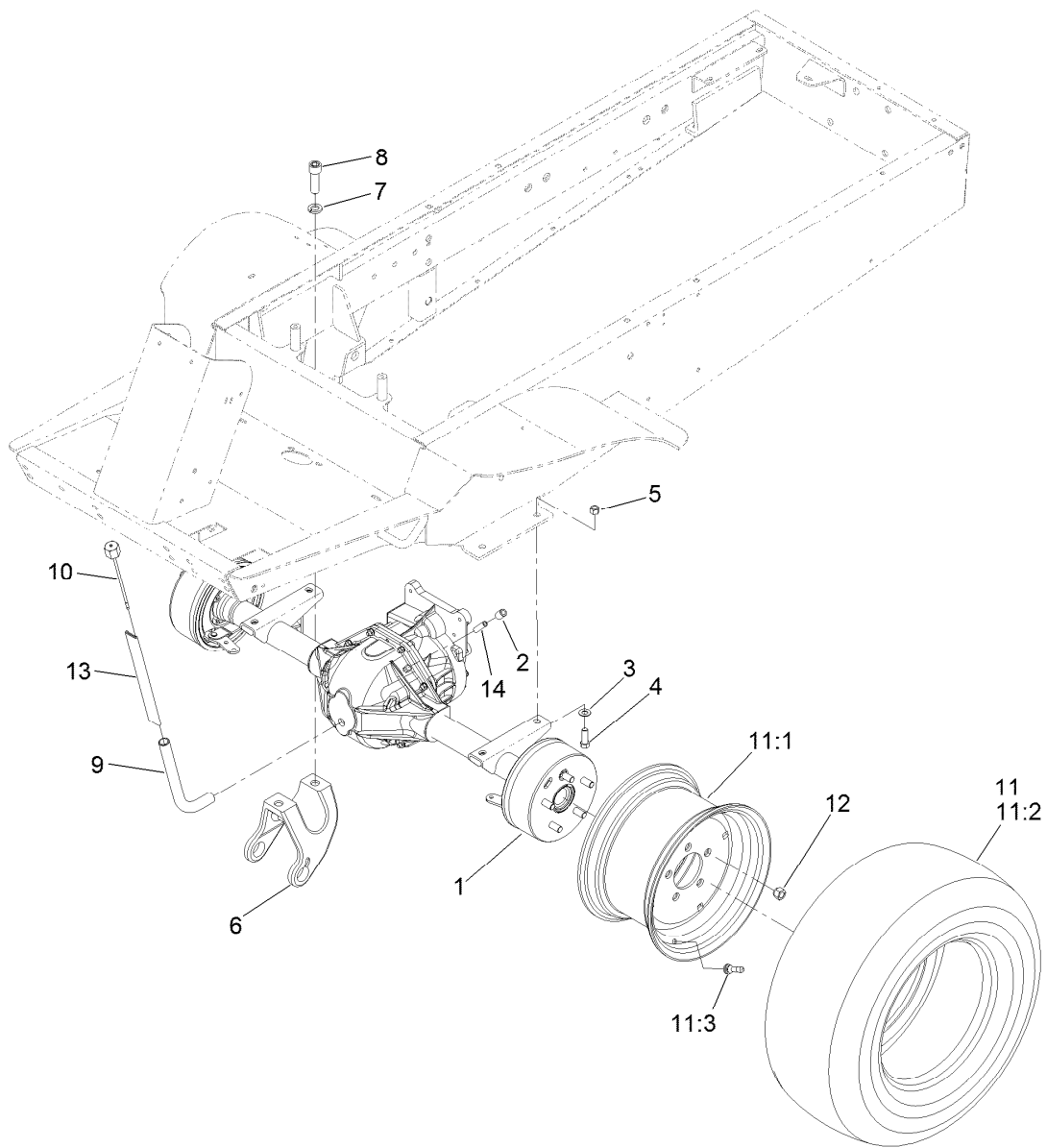
## Frame and Roll-Over Protection System Assembly

<i>Ref.</i>	<i>Part Number</i>	<i>Qty.</i>	<i>Description</i>	<i>Ref.</i>	<i>Part Number</i>	<i>Qty.</i>	<i>Description</i>
1	132-7210	1	Frame Assembly	13	32128-23	6	Nut-HF
2	105-0004-01	1	LH Hinge Pin ASM	14	110-5690	1	Upper ROPS ASM
3	105-0003-01	1	RH Hinge Pin ASM	14:2	108-2073	2	Decal-Warning
4	3256-23	4	Washer-Flat	14:3	108-2074	1	Decal-ROPS
5	3253-4	4	Washer-Lock	14:4	32148-11	4	Insert-Threaded
6	322-5	4	Screw-HH	15	110-5696	2	Spring-Leaf
7	3234-38	8	Screw-HHF	16	32144-10	4	Screw-HWH
8	105-2513-03	1	Mount-Air Cleaner	17	103-4553	2	Pin-Fold, ROPS
10	110-5693-03	1	ROPS-Lower	18	325-13	2	Screw-HH
11	3256-26	6	Washer-Flat	19	114-2867-03	4	Bracket-Mount, Engine
12	325-18	4	Screw-HH				



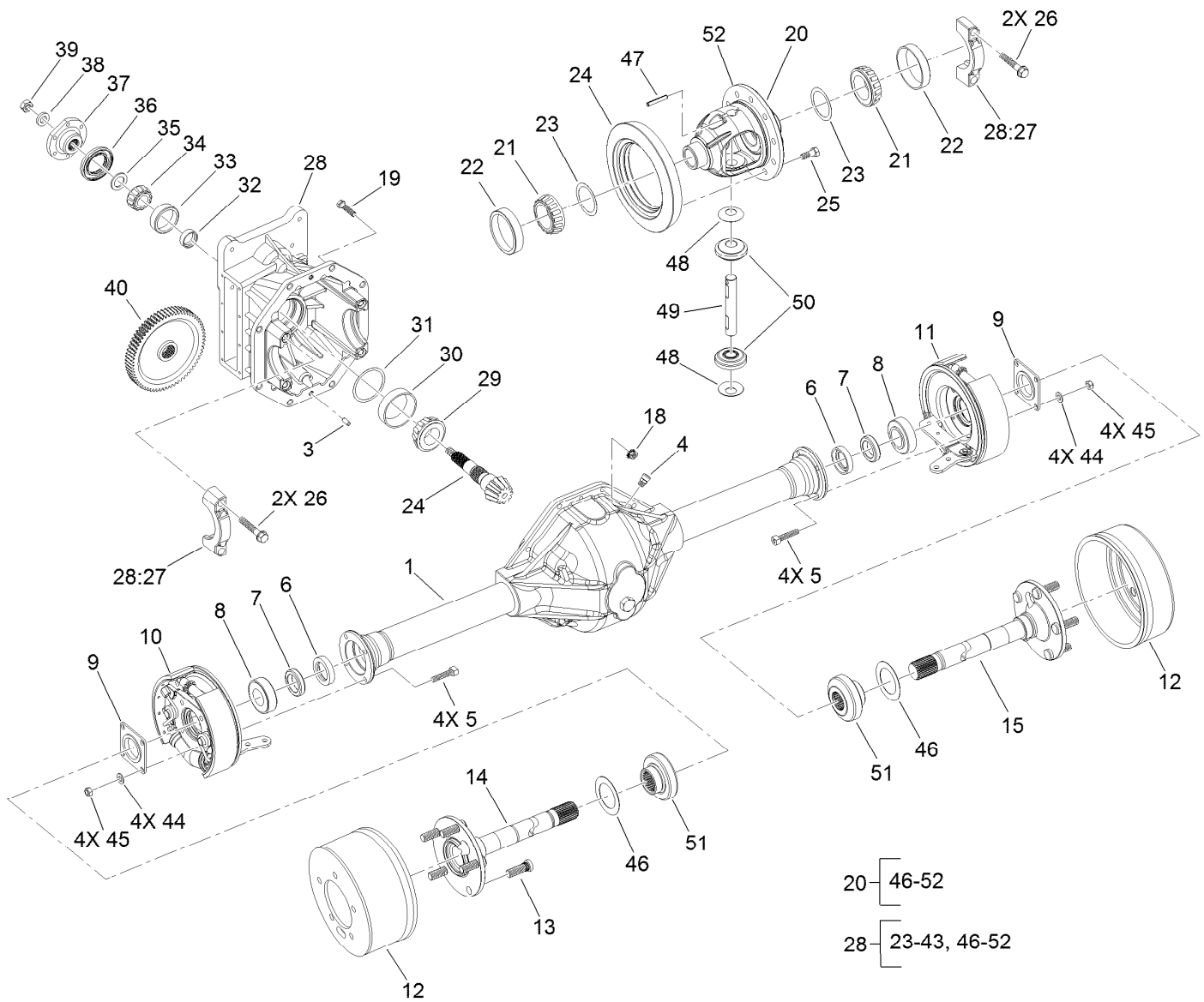
## Frame Assembly No. 132-7210

<i>Ref.</i>	<i>Part Number</i>	<i>Qty.</i>	<i>Description</i>
2	93-7834	1	Decal-Footrest, RH
3	66-3200	1	Tread-Footrest, LH
4	106-9206	2	Decal-Torque, Wheel
6	93-6686	1	Decal-Oil, HYD
7	105-7160	1	Pad-Floor
8	32148-10	4	Insert-Nut
9	67-1300	1	Decal
10	32148-9	1	Insert-Nut



## Front Axle and Wheel Assembly

<i>Ref.</i>	<i>Part Number</i>	<i>Qty.</i>	<i>Description</i>	<i>Ref.</i>	<i>Part Number</i>	<i>Qty.</i>	<i>Description</i>
1	131-6061-03	1	Axle ASM	10	105-7172	1	Dipstick ASM
2	2810-1	1	Coupling-Pipe	11	117-0821	2	Wheel And Tire ASM
3	3256-25	4	Washer-Flat	11:1	117-0822	1	Wheel
4	324-5	4	Screw-HH	11:2	117-0823	1	Tire-Standard
5	3296-48	4	Nut-Lock, NI	11:3	232-27	1	Stem-Valve
6	110-9678	2	Bracket-Carrier	12	242-50	10	Nut-Lug
7	3253-8	4	Washer-Lock	13	110-5651	1	Sleeve-Protective
8	3273-38	4	Screw-HSH	14	289-6	1	Nipple-Pipe
9	105-7169	1	Tube-Fill, Oil				

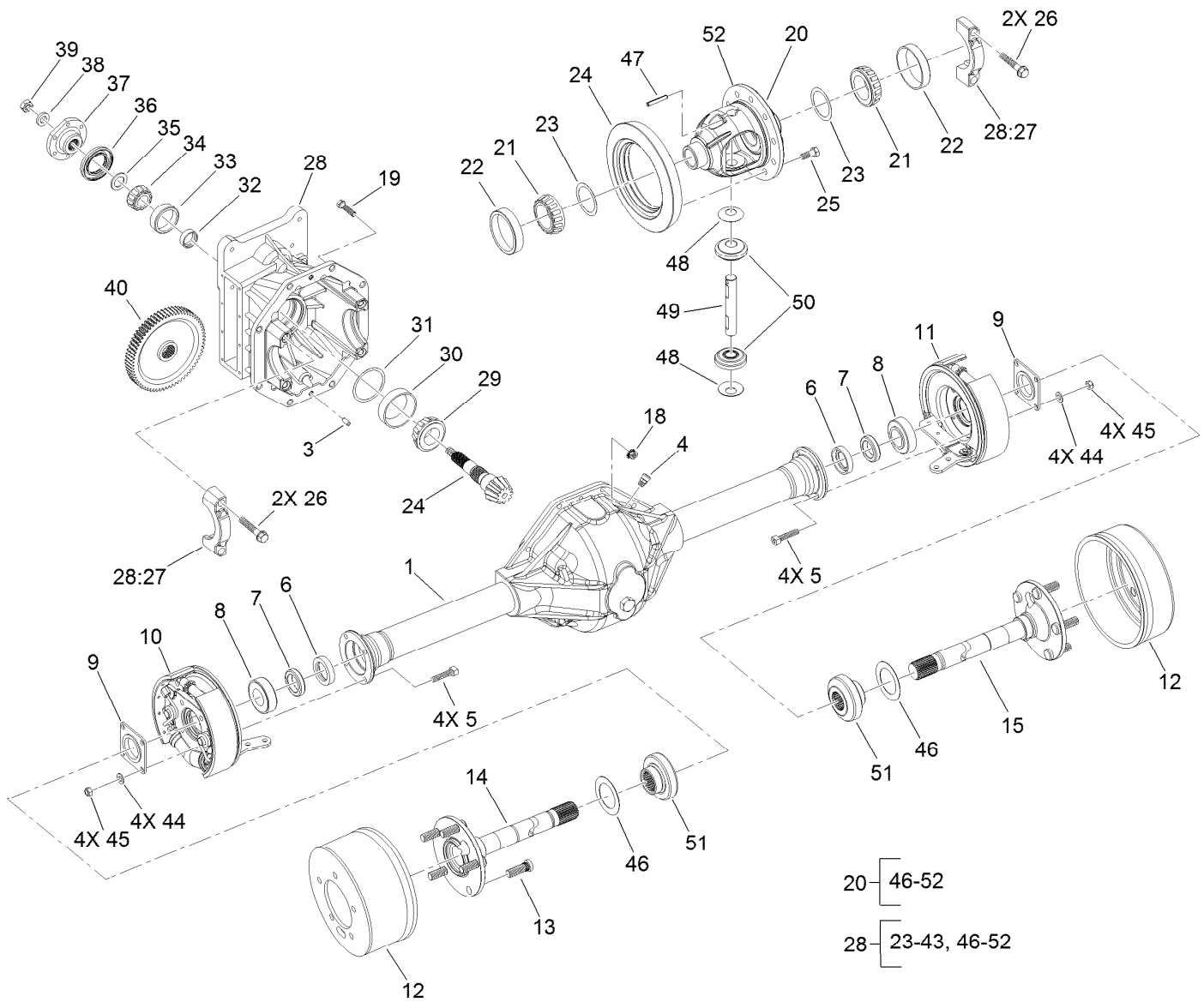


## Front Axle Assembly No. 131-6061-03

Ref.	Part Number	Qty.	Description	Ref.	Part Number	Qty.	Description
1	110-9670	1	Lower Housing ASM	21	254-65	2	Bearing-Roller, Cone
3	21-8270	2	Pin-Dowel	22	254-66	2	Cup-Bearing, Roller
4	72-9420	1	Vent	23	21-8090	2	Shim-Bearing, Differential (.003)
5	94-6934	8	Screw-HH	23	21-8100	2	Shim-Bearing, Differential (.005)
6	24-8840	2	Ring-Retaining, Wheel Bearing	23	21-8110	2	Shim-Bearing, Differential (.010)
7	99-6969	2	Seal-Oil, Wheel End	23	21-8120	2	Shim-Bearing, Differential (.030)
8	21-8180	2	Bearing ASM	24	92-1676	1	Gear And Pinion ASM
9	28-0670	2	Seal-Grease	25	21-7770	5	Screw-Gear, Drive
10	132-7284	1	RH Brake ASM	26	92-1773	4	Screw-HHF
11	132-7285	1	LH Brake ASM	28	132-7286	1	Carrier Sub ASM
12	110-3072	2	Drum-Brake	28:27		2	Cap-Bearing ●
13	106-9205	10	Stud-Wheel	29	43-6760	1	Bearing-Roller, Cone Taper
14	110-3073	1	Shaft-Axle, RH	30	43-6750	1	Bearing-Taper, Cup
15	110-3074	1	Shaft-Axle, LH	31	43-6710	1	Shim-Pinion (.003)
18	121-4698	8	Nut-Keps				
19	3210-8	8	Screw-HH				
20	110-4136	1	Differential Case ASM				

● Not serviced separately

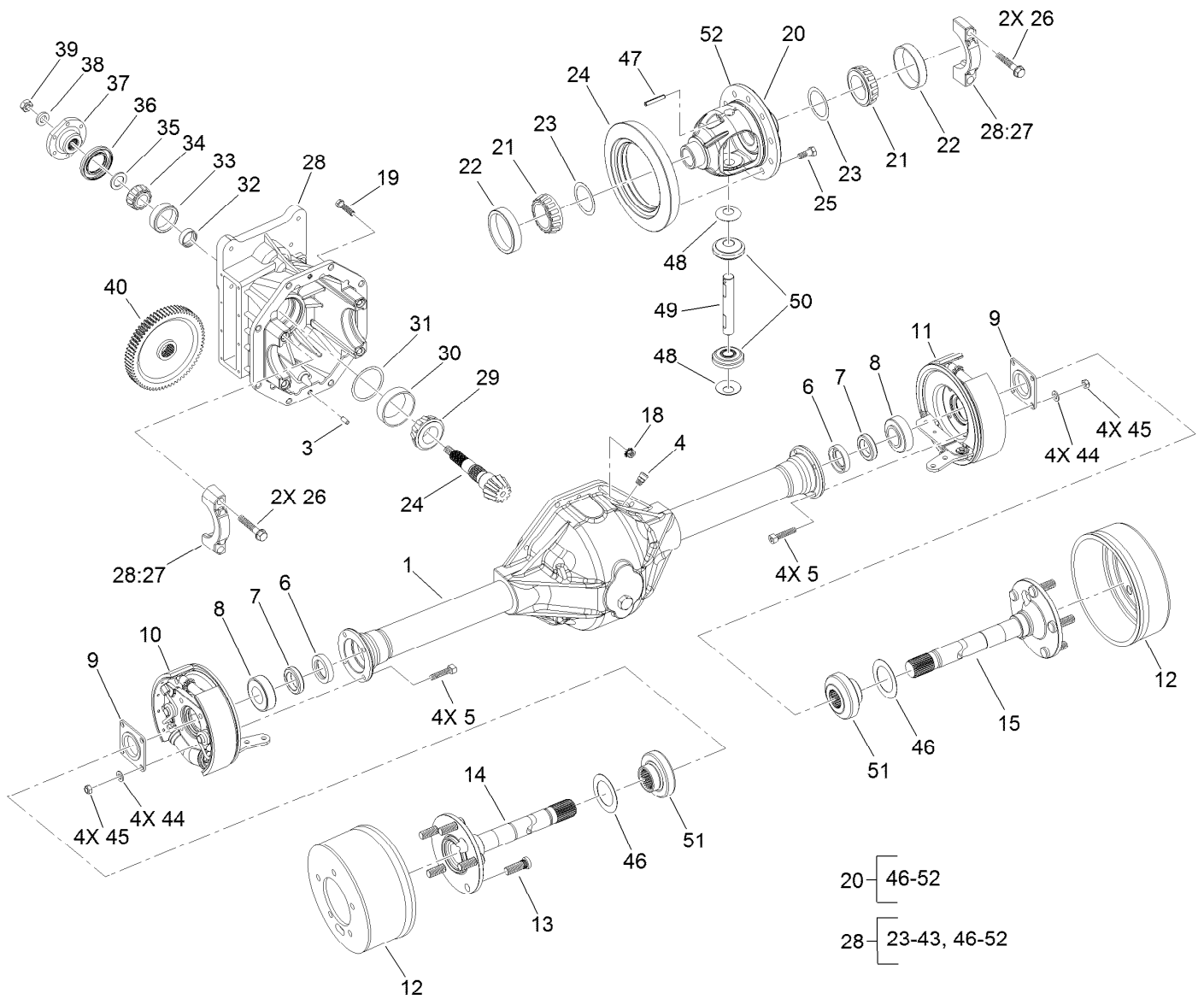




## Front Axle Assembly No. 131-6061-03 (continued)

Ref.	Part Number	Qty.	Description	Ref.	Part Number	Qty.	Description
31	43-6711	1	Shim-Pinion (.005)	35	72-3583	1	Shim-Bearing, Front (.118)
31	43-6712	1	Shim-Pinion (.010)	35	72-3584	1	Shim-Bearing, Front (.120)
31	43-6713	1	Shim-Pinion (.030)	35	72-3585	1	Shim-Bearing, Front (.125)
32	21-8020	1	Spacer-Bearing	35	72-3586	1	Shim-Bearing, Front (.127)
33	254-90	1	Bearing-Cup	35	72-3587	1	Shim-Bearing, Front (.129)
34	254-91	1	Cone-Bearing	35	72-3588	1	Shim-Bearing, Front (.131)
35	72-3570	1	Shim-Bearing, Front (.094)	35	72-3590	1	Shim-Bearing, Front (.133)
35	72-3571	1	Shim-Bearing, Front (.096)	35	72-3591	1	Shim-Bearing, Front (.135)
35	72-3572	1	Shim-Bearing, Front (.098)	35	72-3592	1	Shim-Bearing, Front (.137)
35	72-3573	1	Shim-Bearing, Front (.100)	35	72-3593	1	Shim-Bearing, Front (.139)
35	72-3574	1	Shim-Bearing, Front (.102)	35	72-3594	1	Shim-Bearing, Front (.141)
35	72-3575	1	Shim-Bearing, Front (.104)	35	72-3595	1	Shim-Bearing, Front (.143)
35	72-3576	1	Shim-Bearing, Front (.106)	35	72-3596	1	Shim-Bearing, Front (.145)
35	72-3577	1	Shim-Bearing, Front (.108)	35	72-3597	1	Shim-Bearing, Front (.147)
35	72-3578	1	Shim-Bearing, Front (.110)	35	72-3598	1	Shim-Bearing, Front (.149)
35	72-3580	1	Shim-Bearing, Front (.112)	35	72-3600	1	Shim-Bearing, Front (.151)
35	72-3581	1	Shim-Bearing, Front (.114)	36	71-4330	1	Seal
35	72-3582	1	Shim-Bearing, Front (.116)	37	68-7010	1	Flange

● Not serviced separately



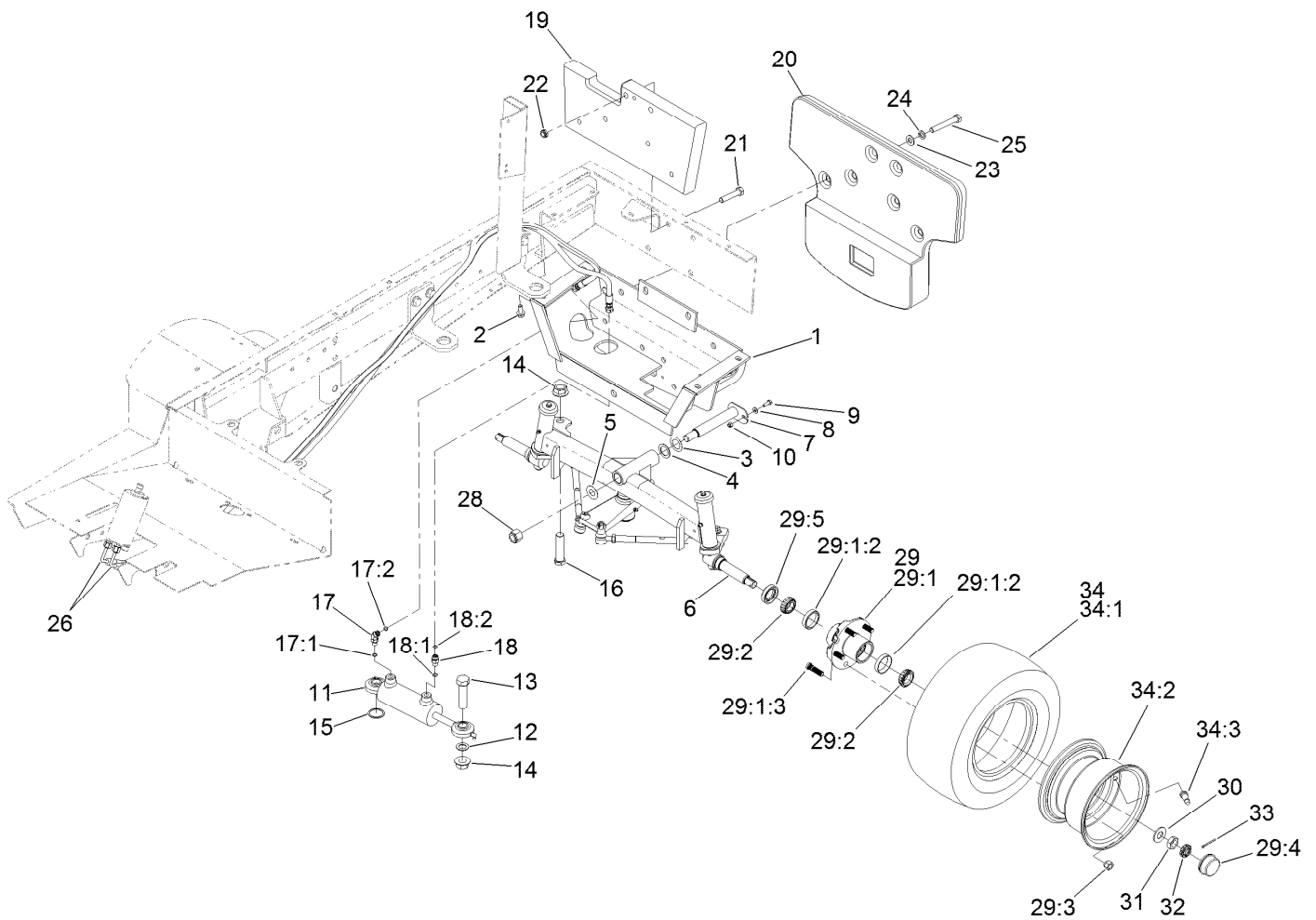
## Front Axle Assembly No. 131-6061-03 (continued)

Ref.	Part Number	Qty.	Description
38	71-4340	1	Washer
39	71-4350	1	Nut
40	86-7230	1	Gear-Input, Transmission
44	94-6936	8	Washer-Hardened
45	94-6935	8	Locknut
46	110-3077	2	Washer-Thrust

Ref.	Part Number	Qty.	Description
47	42150	1	Pin-Lock, Pinion
48	21-7730	2	Washer-Thrust, Pinion
49	21-7700	1	Shaft-Mate, Pinion
50	110-3079	2	Pinion-Differential
51	110-3078	2	Gear-Differential
52	21-7670	1	Case-Differential

● Not serviced separately

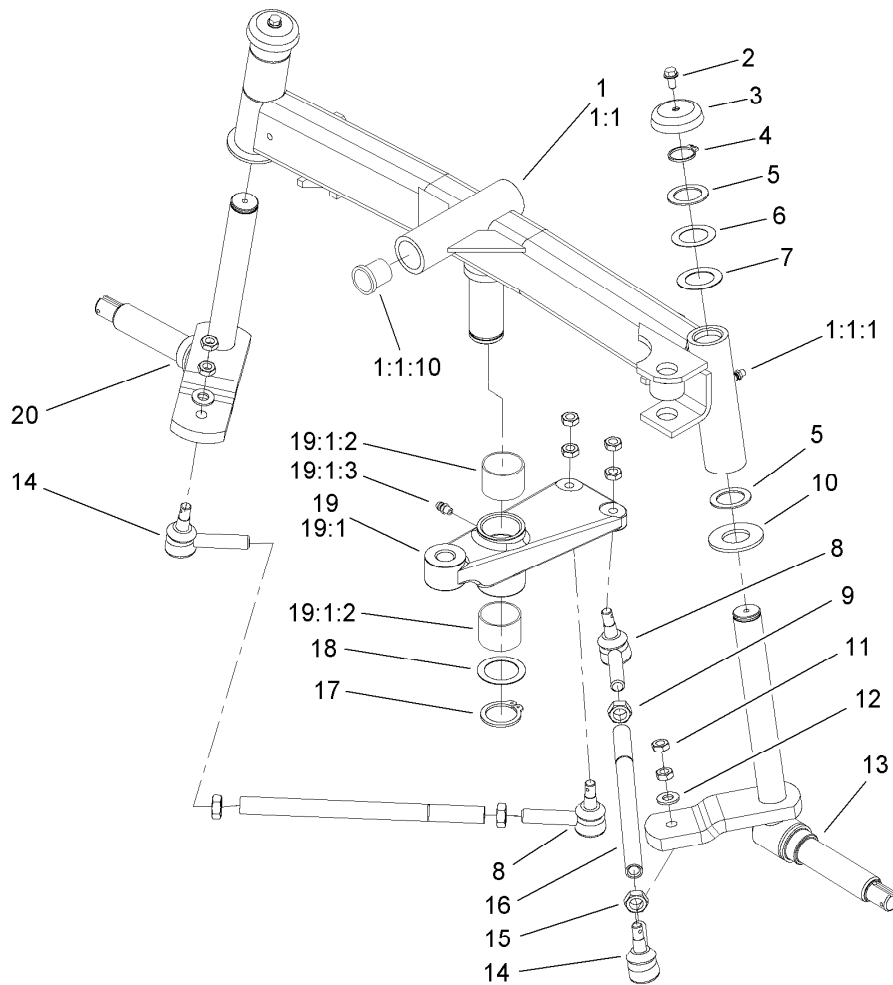




## Rear Steering Assembly (continued)

<i>Ref.</i>	<i>Part Number</i>	<i>Qty.</i>	<i>Description</i>	<i>Ref.</i>	<i>Part Number</i>	<i>Qty.</i>	<i>Description</i>
29:3	242-50	5	Nut-Lug	33	3272-13	2	Pin-Cotter
29:4	241-119	1	Cap-Dust	34		2	Wheel And Tire ASM ●
29:5	112-1690	1	Seal-Oil	34:1	231-105	1	Tire-Ribbed
30	93-0309	2	Washer-Tab	34:2	107-9059	1	Wheel
31	3220-7	2	Nut-Jam	34:3	232-35	1	Valve Stem And Cap ASM
32	93-0307	2	Nut-Lock, Retainer				

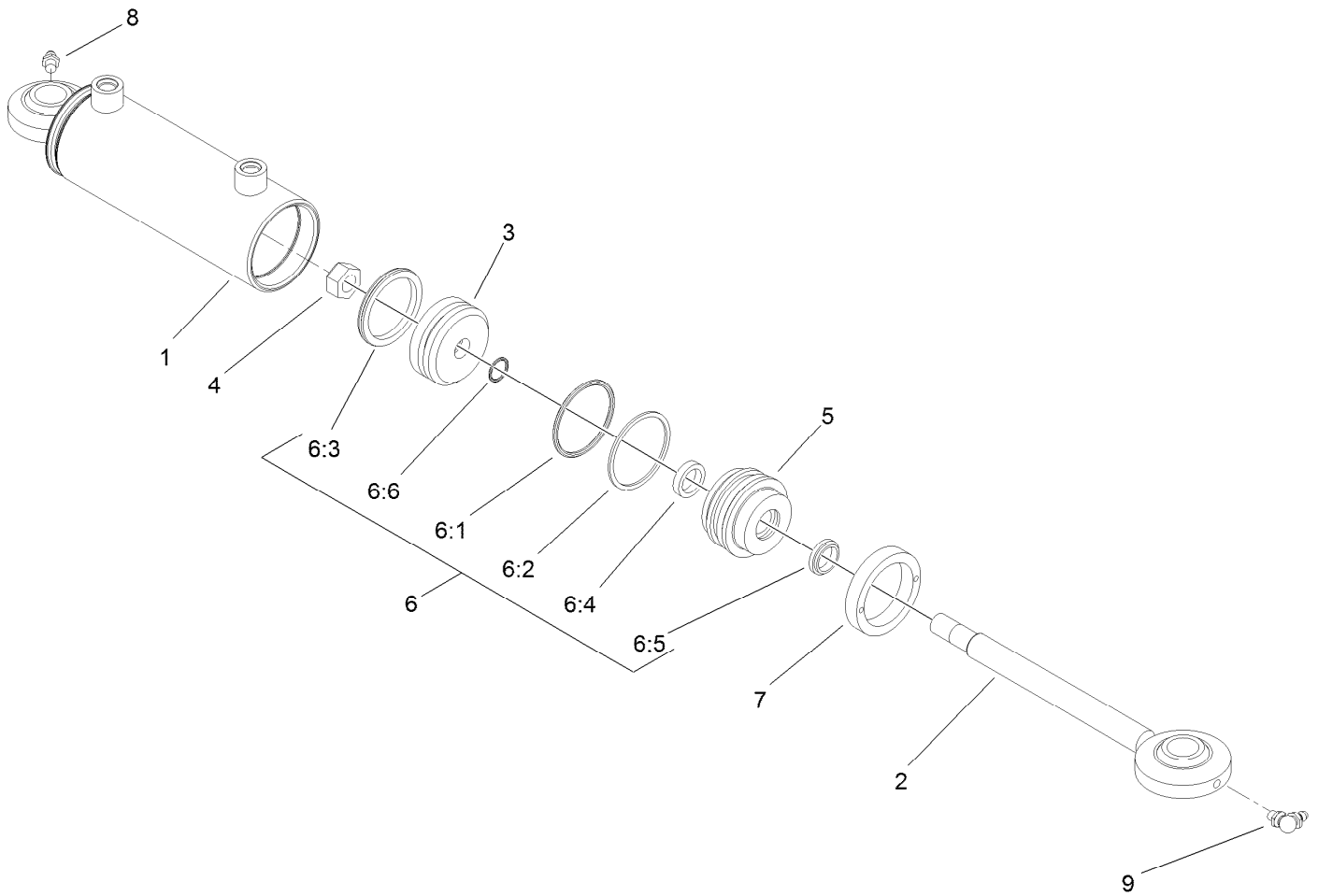
● Not serviced separately



## Rear Axle Assembly

Ref.	Part Number	Qty.	Description	Ref.	Part Number	Qty.	Description
1	76-3000-03	1	Rear Axle ASM	11	3220-3	8	Nut-HJ
1:1		1	Axle-Rear ●	12	3256-24	2	Washer-Flat
1:1:1	302-5	3	Fitting-Grease	13	107-2943-03	1	RH Spindle ASM
1:1:10	67-1750	6	Bushing	14	110-9685-03	2	RH Ball Joint ASM
2	3234-13	2	Screw-HHF	15	3220-5	2	Nut-Jam
3	66-2990-03	2	Cap-Spindle	16	63-6880	2	Tie Rod-Steering
4	32151-36	2	Ring-Retaining	17	32151-77	1	Ring-Retaining, External
5	10-8110	4	Washer-Thrust	18	76-2980	1	Washer-Thrust
6	56-2460	2	Washer-Flat	19	100-6598-03	1	Steering Pivot ASM
7	5-1226	2	Washer	19:1		1	Pivot-Steering ●
8	110-9686-03	2	LH Ball Joint ASM	19:1:2	76-2970	2	Bushing-Straight
9	3220-12	2	Nut-HJ (LH Thread)	19:1:3	302-5	1	Fitting-Grease
10	256-121	2	Washer-Thrust	20	107-2942-03	1	LH Spindle ASM

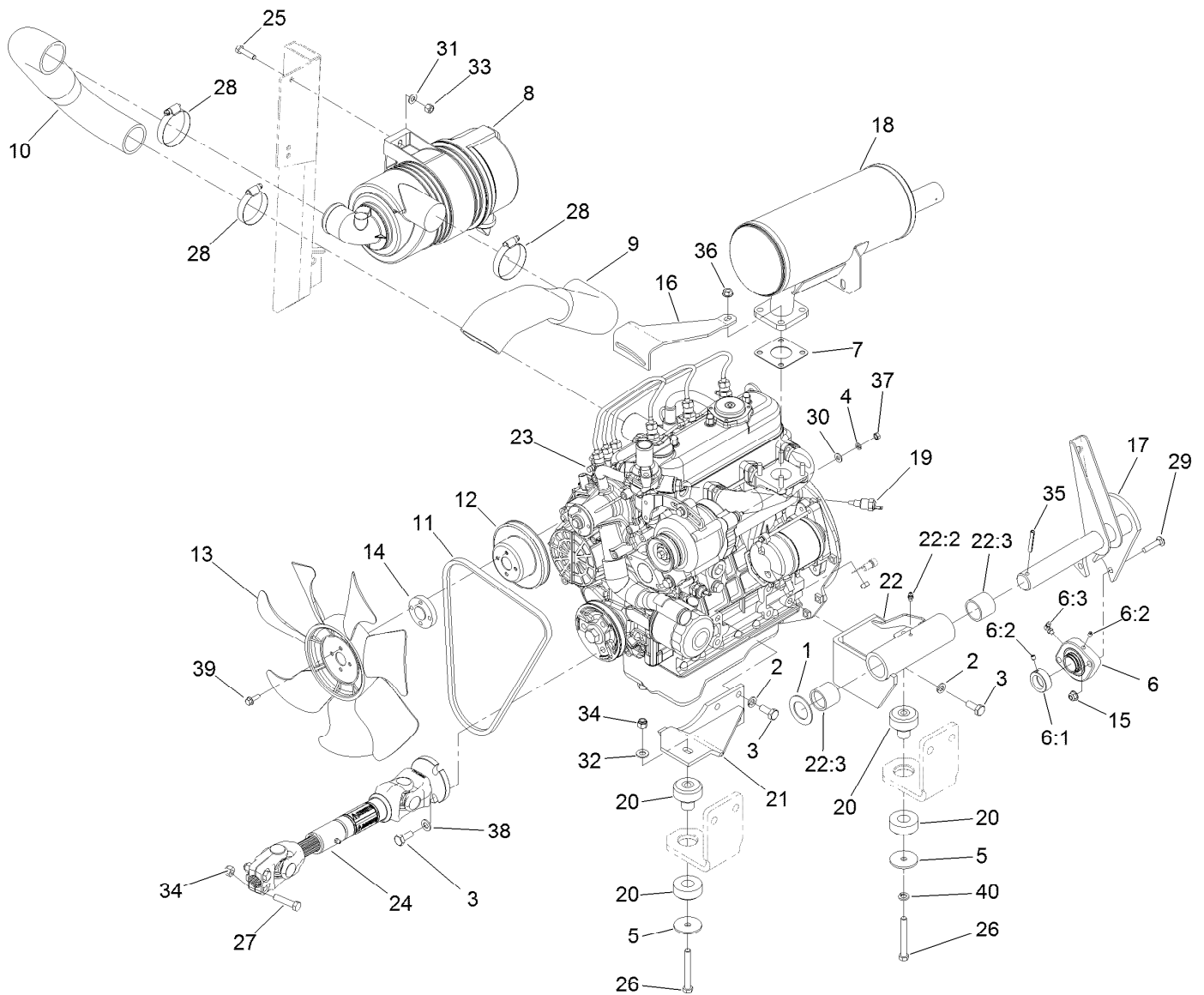
● Not serviced separately



## Steering Cylinder Assembly No. 115-4525

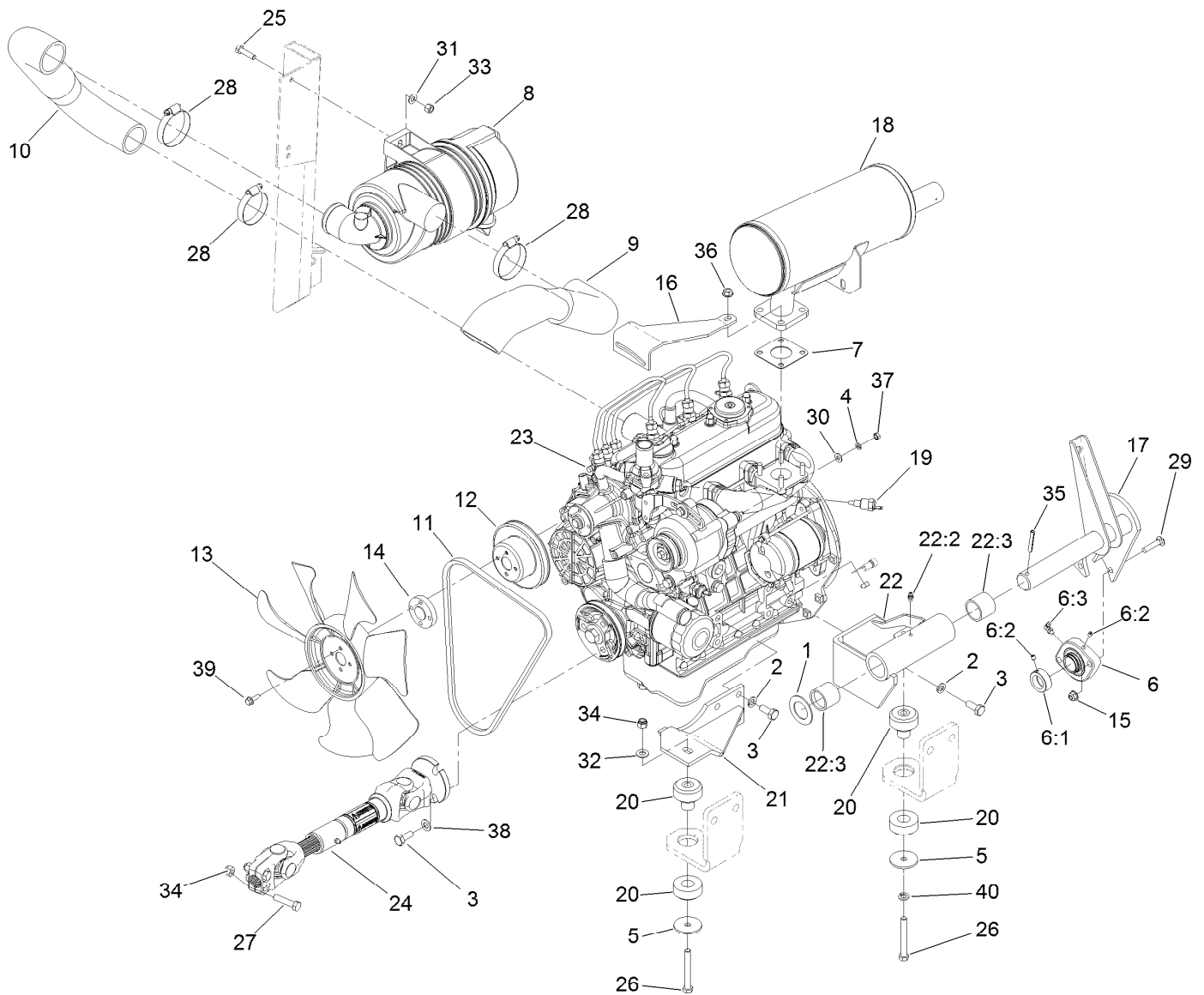
Ref.	Part Number	Qty.	Description
1		1	Barrel Assembly ●
2		1	Shaft Assembly ●
3		1	Piston ●
4		1	Nut-Lock ●
5		1	Head ●
6	115-4526	1	Seal Kit
6:1		1	O-Ring ●
6:2		1	Backup ●
6:3		1	Bp Seal ●
6:4		1	Bs-Seal ●
6:5		1	Dust Seal - Dt ●
6:6		1	O-Ring ●
7		1	Collar-Internal ●
8	302-5	1	Fitting-Grease
9	302-40	1	Fitting-Grease, 90 DEG

● Not serviced separately



## Engine, Clutch, Air Cleaner and Drive Shaft Assembly

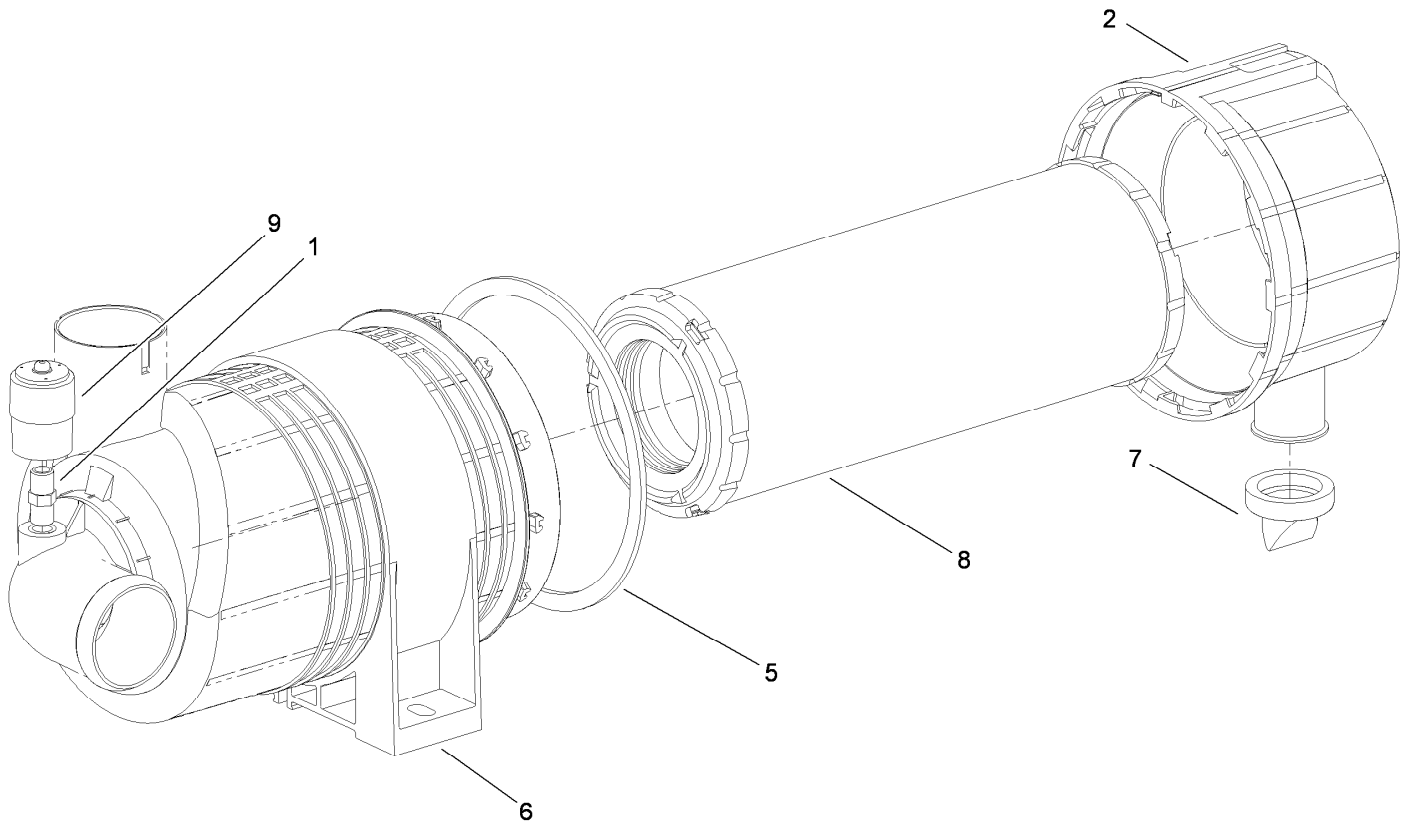
<i>Ref.</i>	<i>Part Number</i>	<i>Qty.</i>	<i>Description</i>	<i>Ref.</i>	<i>Part Number</i>	<i>Qty.</i>	<i>Description</i>
1	3-4324	1	Washer-Flat	17	106-4381-03	1	Shaft-Tension, PTO
2	42-9600	8	Washer-Lock, Spring	18	108-1363	1	Muffler-Exhaust
3	43-0090	11	Screw-HH	19	108-8682	1	Thermoswitch
4	43-5930	1	Washer-Lock, Spring	20	115-0600	2	Mount-Engine
5	63-7400	2	Washer-Rebound	21	117-0831-03	1	Mount-Engine, LH Front
6	92-8799	1	Bearing-Flange	22	117-0841	1	LH Rear Engine Mount ASM
6:1	251-77	1	Collar-Lock, Bearing	22:2	302-5	1	Fitting-Grease
6:2	3245-35	1	Screw-Set, HSH	22:3	256-299	2	Bushing-Straight
6:3	302-40	1	Fitting-Grease, 90 DEG	23	127-9660	1	Engine-Kubota, D1105
7	98-9611	1	Gasket	24	131-6087	1	Driveshaft ASM
8	104-3427	1	Air Cleaner ASM	25	322-6	2	Screw-HH
9	104-3444	1	Hose-Inlet, Air	26	323-14	2	Screw-HH
10	104-3446	1	Hose-Outlet, Air	27	323-19	2	Screw-HH
11	104-3494	1	Belt-V	28	2412-130	3	Clamp-Hose
12	104-3497	1	Pulley-Fan	29	3230-4	2	Screw-CARR
13	104-4246	1	Fan-Engine	30	3256-22	1	Washer-Flat
14	104-4247	1	Spacer-Fan	31	3256-23	2	Washer-Flat
15	104-8300	2	Nut-Flange, NI	32	3256-24	1	Washer-Flat
16	105-2556-03	1	Brace-Alternator, Upper	33	3296-29	2	Nut-Lock, NI



## Engine, Clutch, Air Cleaner and Drive Shaft Assembly (continued)

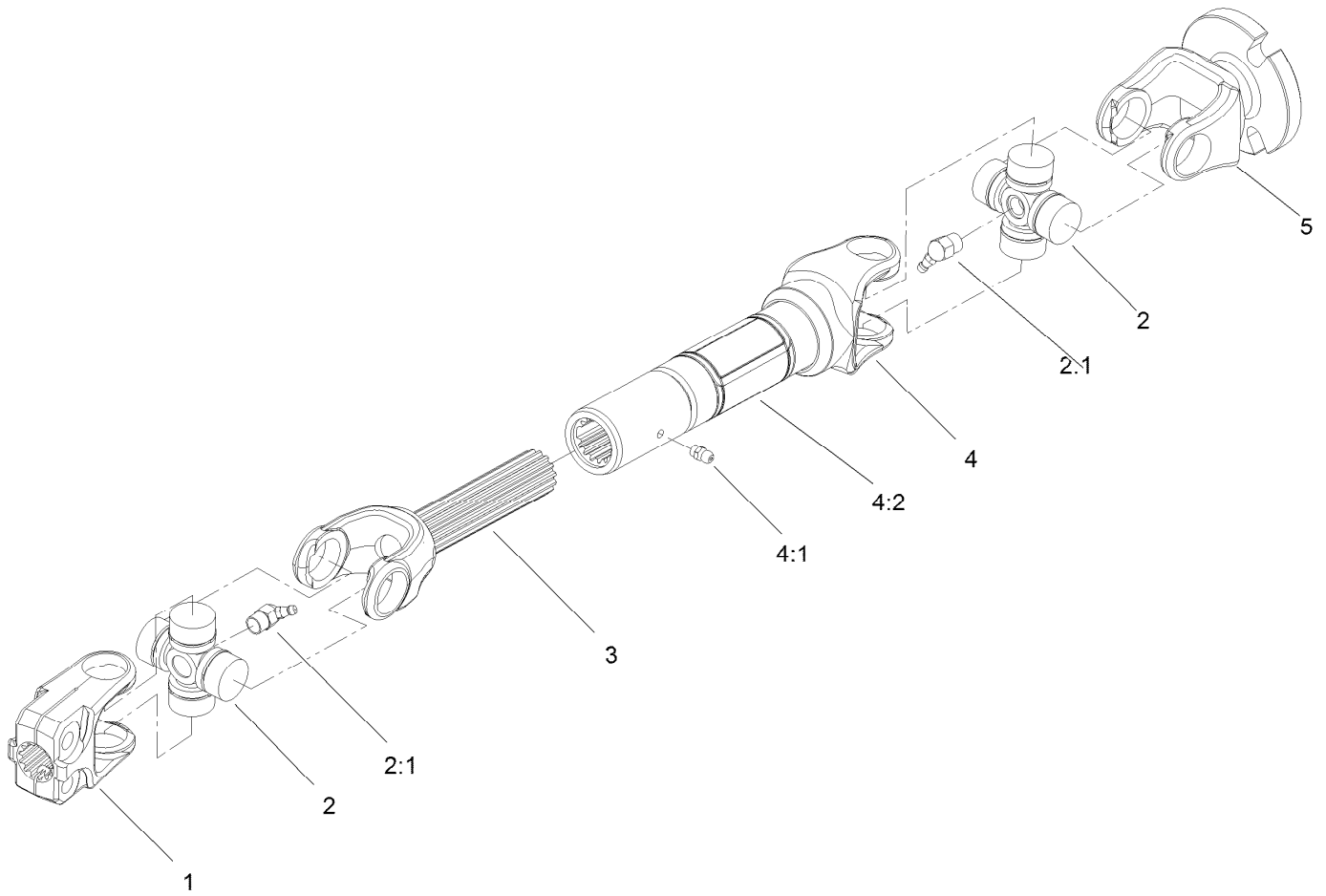
<i>Ref.</i>	<i>Part Number</i>	<i>Qty.</i>	<i>Description</i>	<i>Ref.</i>	<i>Part Number</i>	<i>Qty.</i>	<i>Description</i>
34	3296-39	3	Nut-Lock, NI	38	33095-00	3	Washer-Flat
35	32121-32	1	Pin-Roll	39	33103-020	4	Screw-HHF
36	33004-00	4	Nut-HF	40	3253-21	1	Washer-Lock
37	33013-00	1	Nut-Hex				





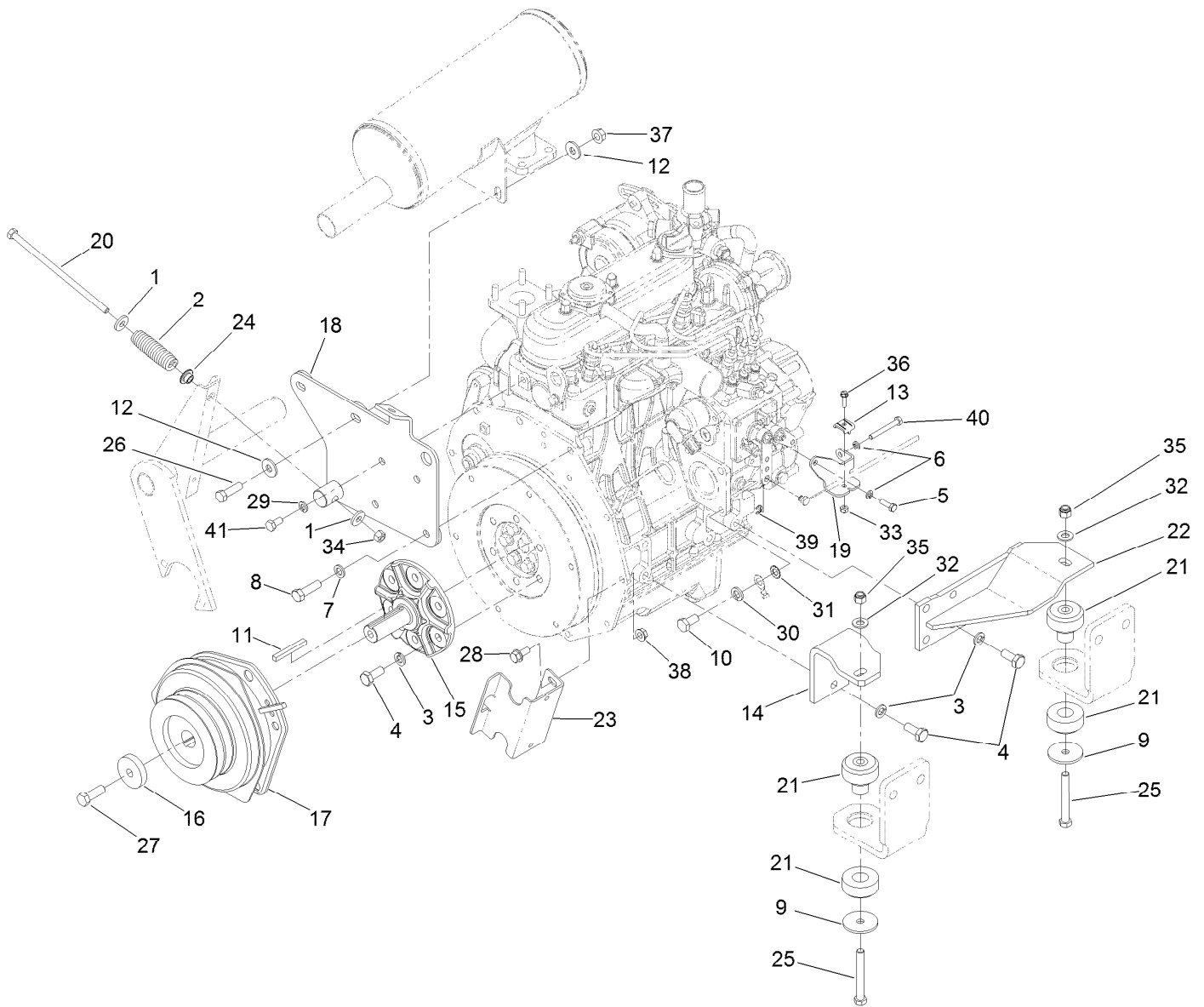
## Air Cleaner Assembly No. 104-3427

<i>Ref.</i>	<i>Part Number</i>	<i>Qty.</i>	<i>Description</i>
1	105-4292	1	Nipple-Pipe
2	104-0497	1	Cover
5	104-4897	1	Gasket
6	98-4525	1	Bracket-Cleaner, Air
7	104-0498	1	Valve-Vacuator
8	108-3810	1	Filter-Air
9	93-9164	1	Indicator-Mini



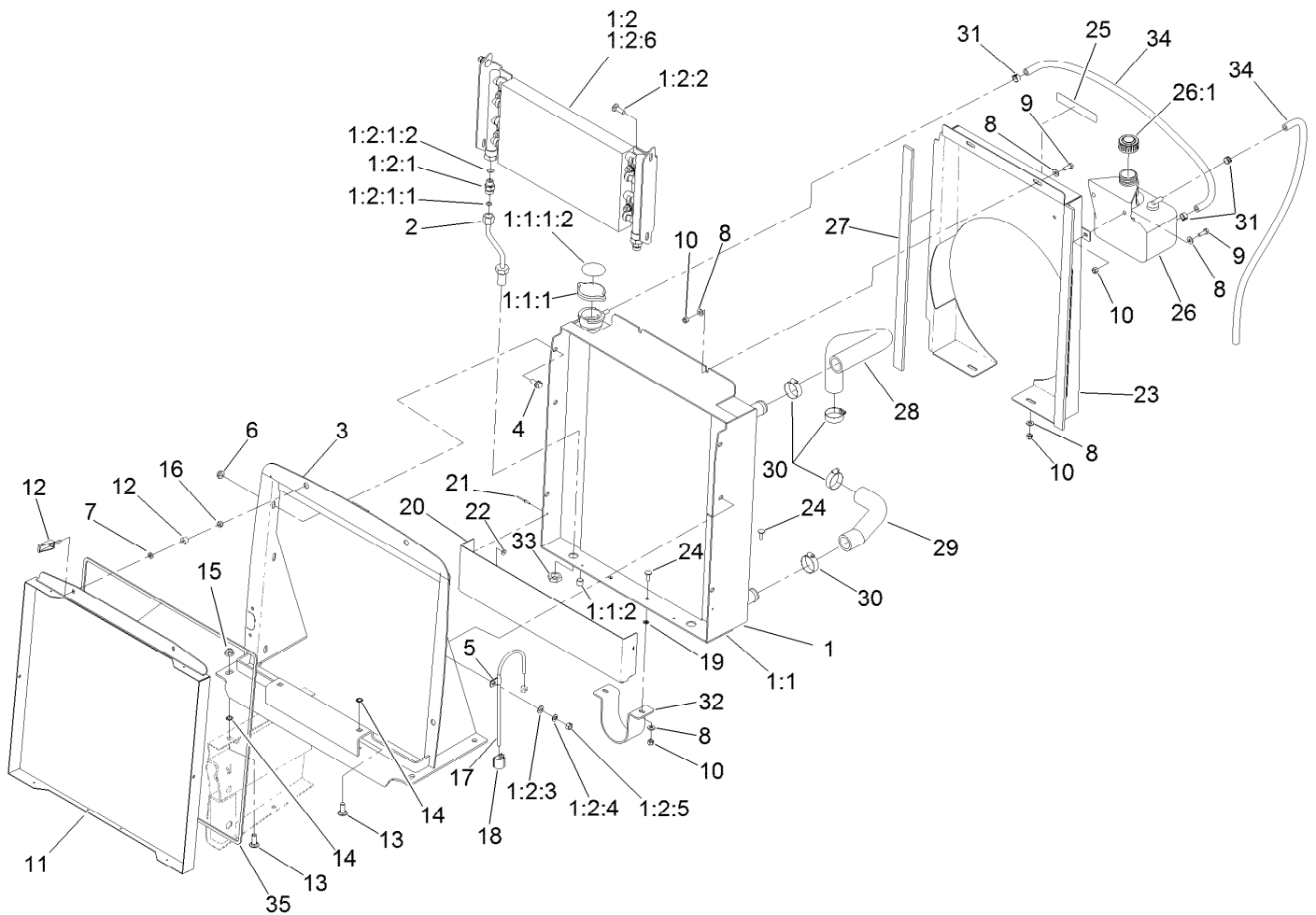
## Driveshaft Assembly No. 131-6087

<i>Ref.</i>	<i>Part Number</i>	<i>Qty.</i>	<i>Description</i>
1	132-7201	1	Yoke-Splined
2	112-1687	2	Cross And Bearing Kit
2:1	62-3820	1	Fitting-Grease
3	98-9765	1	Yoke And Shaft
4	108-6551	1	Tube-Yoke, Slip
4:1	302-58	1	Fitting-Straight
4:2	92-1582	1	Decal-Safety
5	132-7200	1	Yoke-Flanged



## Engine Mounting and Clutch Assembly

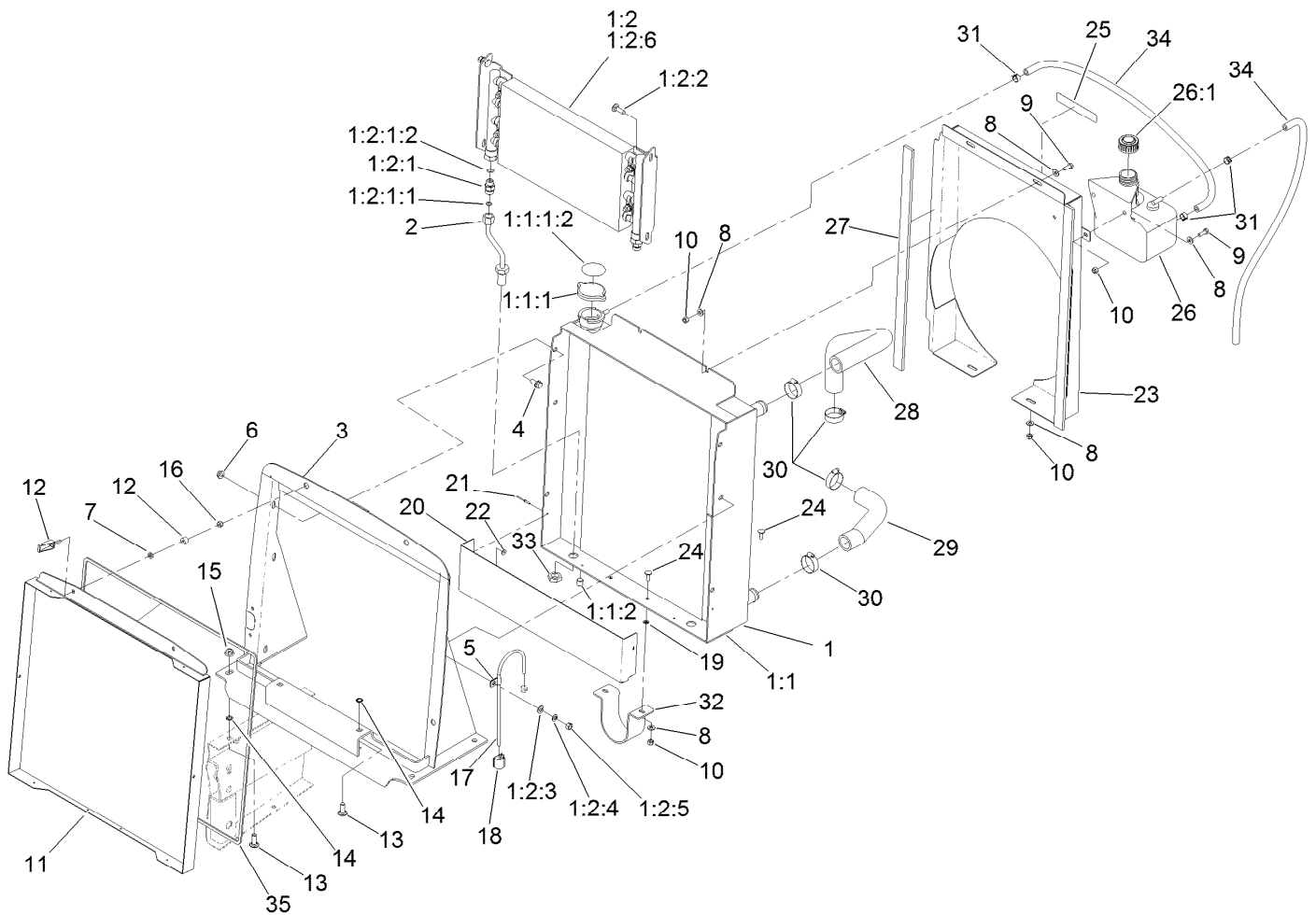
Ref.	Part Number	Qty.	Description	Ref.	Part Number	Qty.	Description
1	4-2390	2	Washer-Flat	22	117-0836-03	1	Mount-Engine, RH Front
2	21-0400-01	1	Spring-Compression	23	120-6568-03	1	Stop-Clutch
3	42-9600	12	Washer-Lock, Spring	24	125-9249	1	Spacer-Coupler, Rubber
4	43-0090	12	Screw-HH	25	323-14	2	Screw-HH
5	48-7630	1	Screw	26	323-44	2	Screw-HH
6	48-8020	2	Washer-Spring	27	3212-5	1	Screw-HH
7	48-9590	2	Washer-Lock	28	3234-5	2	Screw-HHF
8	56-2140	2	Screw-HH	29	3253-4	2	Washer-Lock
9	63-7400	2	Washer-Rebound	30	3253-6	1	Washer-Lock
10	63-7790	1	Screw-Cap	31	3255-9	1	Washer-Lock
11	63-8150	1	Key-Square	32	3256-24	2	Washer-Flat
12	80-6990	4	Washer-Hardened	33	3296-2	1	Nut-Lock, NI
13	81-1690	1	Clamp-Cable	34	3296-29	1	Nut-Lock, NI
14	104-1713-03	1	Mount-Engine, RH Rear	35	3296-39	2	Nut-Lock, NI
15	104-1715	1	Hub-Clutch	36	32105-13	1	Screw-HWH
16	105-3698	1	Spacer	37	32128-21	2	Nut-HF
17	107-9061	1	Electric Clutch / Brake ASM	38	32128-25	2	Nut-HF
18	108-6561-03	1	Mount-Muffler	39	701197	1	E-Ring
19	110-9682-03	1	Bracket-Throttle	40	33113-050	1	Screw-HH
20	110-9696	1	Bolt-HH	41	33114-016	2	Screw-HH
21	115-0600	2	Mount-Engine				



## Radiator and Cooler Assembly

Ref.	Part Number	Qty.	Description	Ref.	Part Number	Qty.	Description
1	133-6363	1	Cooler Assembly	6	32128-20	4	Nut-HF
1:1	132-7228	1	Radiator	7	55-9620	2	Spacer-Plate, Pivot
1:1:1	127-4877	1	Radiator Cap ASM	8	3256-22	10	Washer-Flat
1:1:1:2	106-5976	1	Decal-Warning	9	321-4	4	Screw-HH
1:1:2	99-8551	1	Plug-Pipe	10	3296-42	8	Nut-Lock, NI
1:2	119-4846	1	Oil Cooler ASM	11	132-7233-03	1	Screen
1:2:1	340-2	2	Fitting-Str	12	74-5950	2	Latch-Swell
1:2:1:1	237-22	1	O-Ring	13	3231-22	6	Screw-CARR
1:2:1:2	237-42	1	O-Ring	14	32151-72	6	Ring-Retaining
1:2:2	3230-2	2	Bolt-CARR	15	104-8301	4	Nut-Flange, NI
1:2:3	3256-23	6	Washer-Flat	16	1-804254	2	Nut-Lock, HH
1:2:4	3253-4	6	Washer-Lock	17	66-3180	1	Tube-Vent
1:2:5	3217-6	6	Nut-Hex	18	105-7188	1	Clamp-Adhesive
1:2:6		1	Cooler ●	19	106-8737	2	Nut-Retainer
2	132-7297	2	Tube-HYD, Jump	20	132-7224-03	1	Shield-Radiator, Bottom
3	133-6384-03	1	Frame-Radiator	21	3269-17	4	Rivet-Pop
4	3234-5	4	Screw-HHF	22	3269-10	2	Washer-Back
5	2412-103	1	Clamp	23	132-7230-03	1	Shroud-Fan

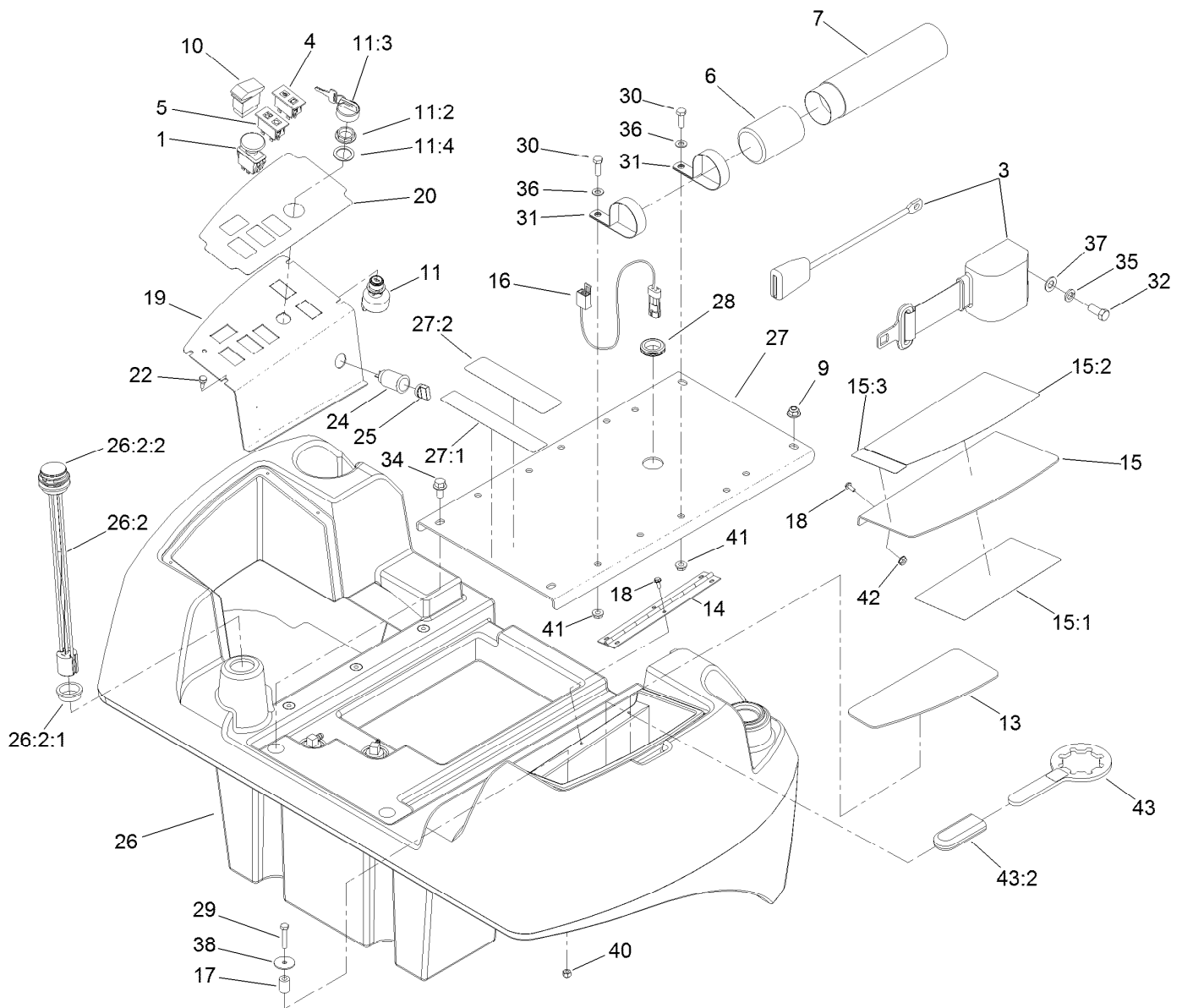
● Not serviced separately



## Radiator and Cooler Assembly (continued)

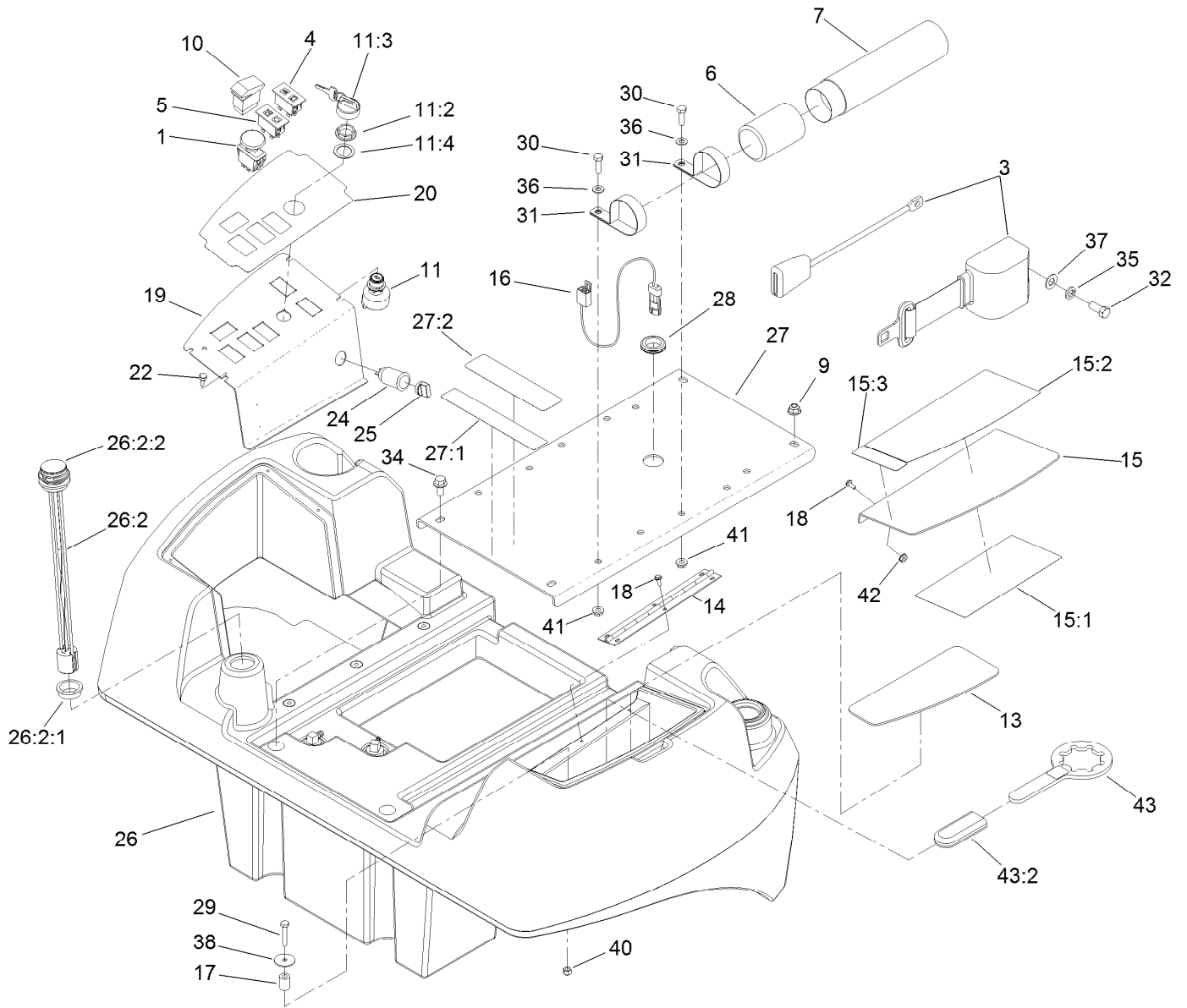
<i>Ref.</i>	<i>Part Number</i>	<i>Qty.</i>	<i>Description</i>	<i>Ref.</i>	<i>Part Number</i>	<i>Qty.</i>	<i>Description</i>
24	1-807512	4	Bolt-CARR	30	2412-34	4	Clamp-Hose
25	93-7272	1	Decal-Warning	31	92-2379	3	Clamp-Hose
26	120-5572	1	Coolant Reservoir ASM	32	132-7225-03	1	Loop-Driveshaft
26:1	93-5960	1	Cap-Reservoir	33	340-70	2	Nut-Lock
27	108-9683	2	Strip-Foam	34	109-0308	2	Hose-Fuel
28	104-3443	1	Hose-Radiator, Upper	35	133-6383	1	Foam-Seal, Radiator Screen
29	104-3442	1	Hose-Radiator, Lower				

● Not serviced separately



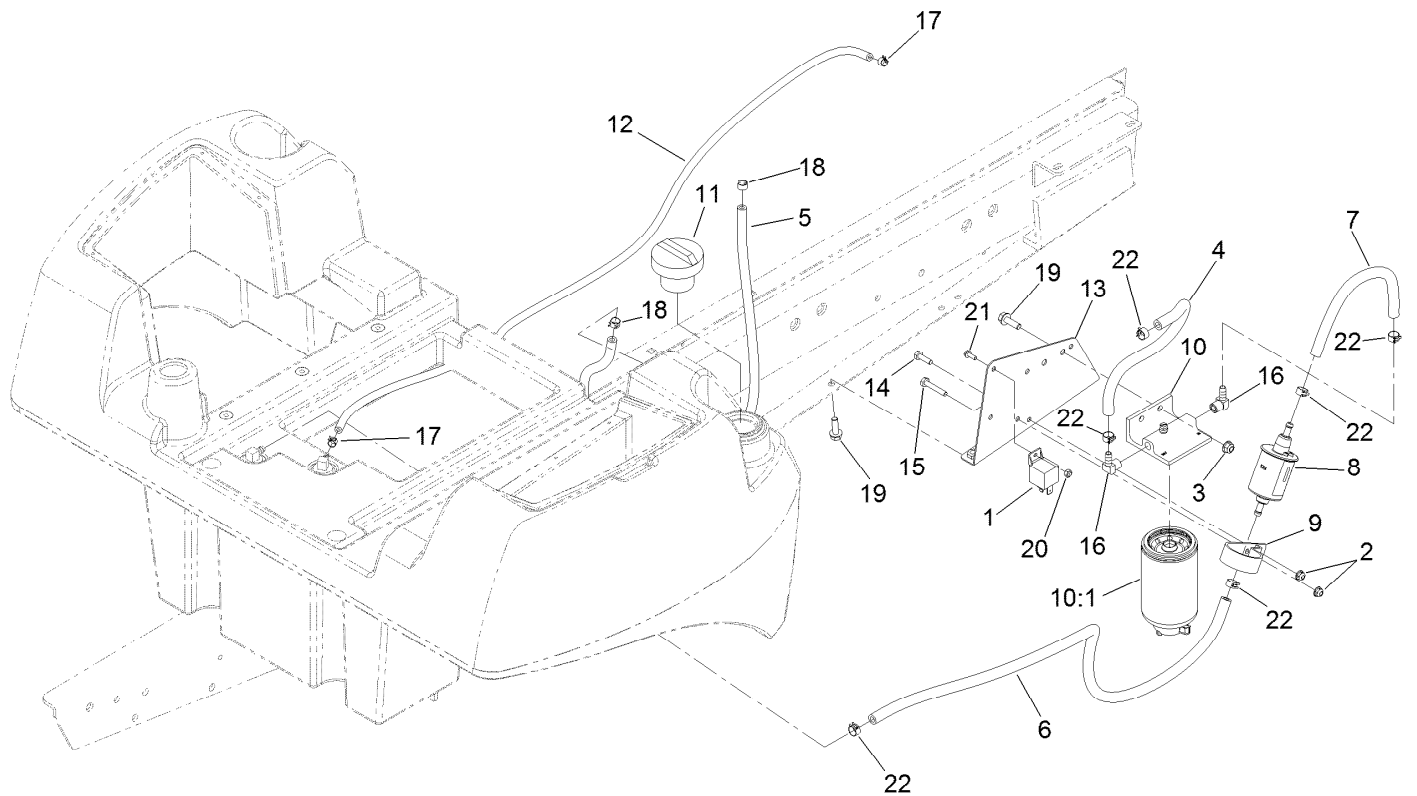
## Fuel Tank and Control Panel Assembly

Ref.	Part Number	Qty.	Description	Ref.	Part Number	Qty.	Description
1	93-9999	1	Switch-PTO,On-On-None	19	136-1059-03	1	Plate-Control Panel
3	100-4928	1	Belt-Seat	20	119-4840	1	Decal-Panel, Control
4	100-8070	1	Lamp-Warning	22	120-6555	4	Screw-Thumb
5	100-8071	1	Lamp-Warning	24	99-7411	1	Point-Power
6	104-7048	1	Cap-Housing	25	99-7416	1	Cap
7	104-7050	1	Tube-Manual	26	132-7212	1	Fuel Tank ASM
9	104-8301	2	Nut-Flange, NI	26:2	132-7214	1	Gauge-Fuel
10	105-4320	1	Switch	26:2:1	119-0508	1	Seal
11	106-5269	1	Ignition Switch ASM	26:2:2	132-7295	1	Dial-Gauge
11:2	108-8660	1	Nut-Mounting	27	132-7298	1	Seat Plate ASM
11:3	106-5270	1	Ignition Key Set	27:1	105-2511	1	Decal-Instructions, Starting
11:4	108-8659	1	Washer-Backup	27:2	93-7841	1	Decal-Warning
13	108-2013	1	Pad-Rubber	28	240-5	1	Grommet
14	108-2024	1	Hinge	29	321-9	1	Screw-HH
15	133-6378	1	Cover ASM	30	322-5	2	Screw-HH
15:1	133-6377	1	Decal-Service	31	2412-133	2	R-Clamp
15:2	133-6375	1	Decal-Warning	32	3212-4	2	Screw-HH
15:3	117-2718	1	Decal-Arrester, Spark	34	3234-1	2	Screw-HHF
16	108-8657	1	Harness-Wire, Seat	35	3253-6	2	Washer-Lock
17	108-9688	1	Spacer	36	3256-23	2	Washer-Flat
18	112-6349	6	Screw-HWH	37	3256-25	2	Washer-Flat



## Fuel Tank and Control Panel Assembly (continued)

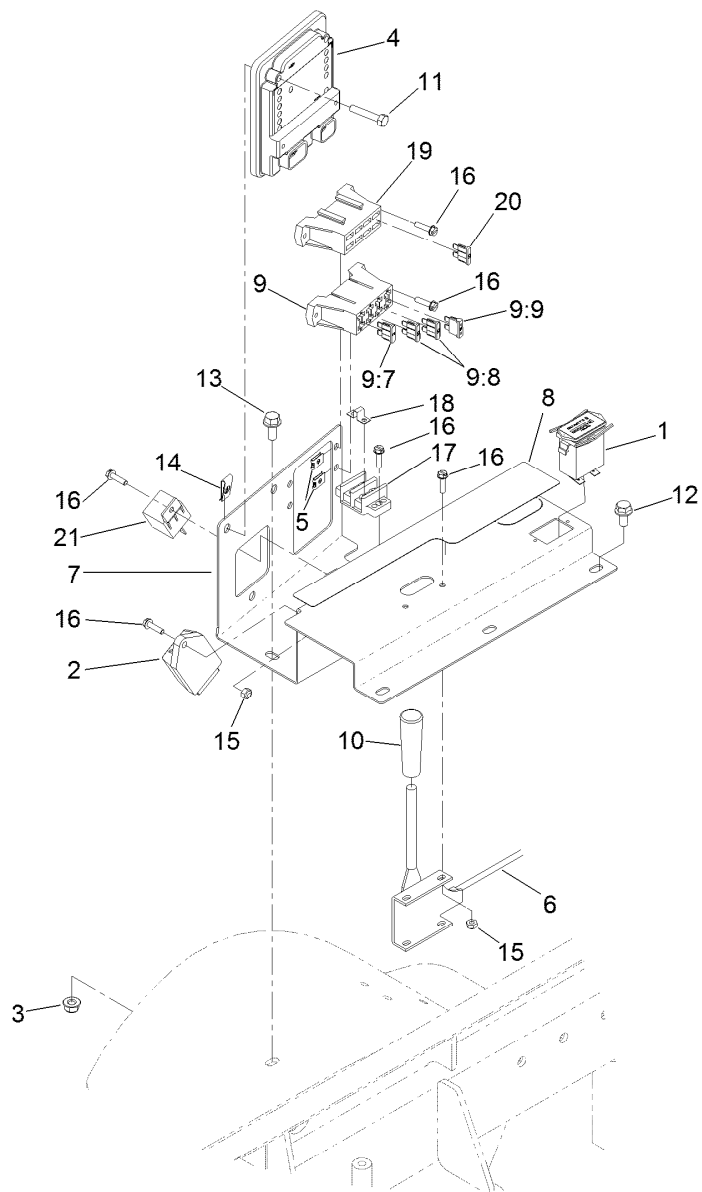
<i>Ref.</i>	<i>Part Number</i>	<i>Qty.</i>	<i>Description</i>	<i>Ref.</i>	<i>Part Number</i>	<i>Qty.</i>	<i>Description</i>
38	3256-55	1	Washer-Flat	42	32149-8	3	Nut-Keps
40	3296-42	1	Nut-Lock, NI	43	121-3874	1	Wrench ASM
41	32128-20	2	Nut-HF	43:2	119-1846	1	Grip



## Fuel Lines and Filter Assembly

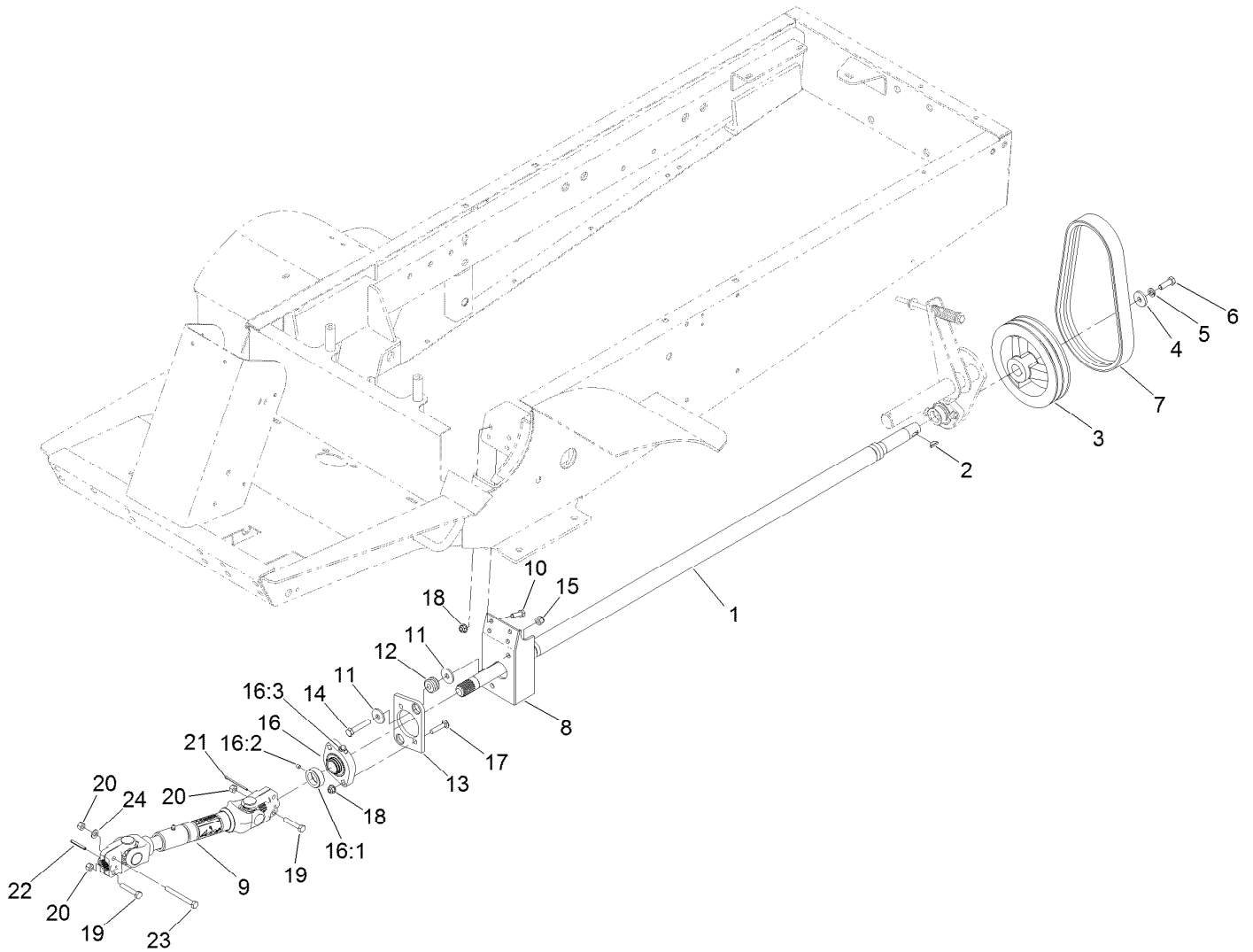
<i>Ref.</i>	<i>Part Number</i>	<i>Qty.</i>	<i>Description</i>	<i>Ref.</i>	<i>Part Number</i>	<i>Qty.</i>	<i>Description</i>
1	99-7435	1	Relay-Power	12	119-6073	1	Hose-Fuel
2	104-7201	2	Nut-Flange, NI	13	132-7231-03	1	Bracket-Support
3	104-8300	2	Nut-Flange, NI	14	321-5	1	Screw-HH
4	106-1126	1	Hose-Fuel	15	321-9	1	Screw-HH
5	109-0273	1	Hose-Fuel	16	353-781	2	Fitting-Elbow
6	110-4007	1	Hose-Fuel	17	2412-80	2	Clamp-Hose
7	110-4105	1	Hose-Fuel	18	2412-98	2	Clamp-Hose
8	110-8806	1	Pump-Fuel	19	3234-17	4	Screw-HHF
9	110-8817	1	Bracket-Pump, Fuel	20	3296-2	1	Nut-Lock, NI
10	110-9044	1	Separator-Filter	21	32105-23	1	Screw
10:1	110-9049	1	Filter-Spin On	22	92-2379	6	Clamp-Hose
11	115-5305	1	Cap-Fuel				





## Throttle Control Assembly

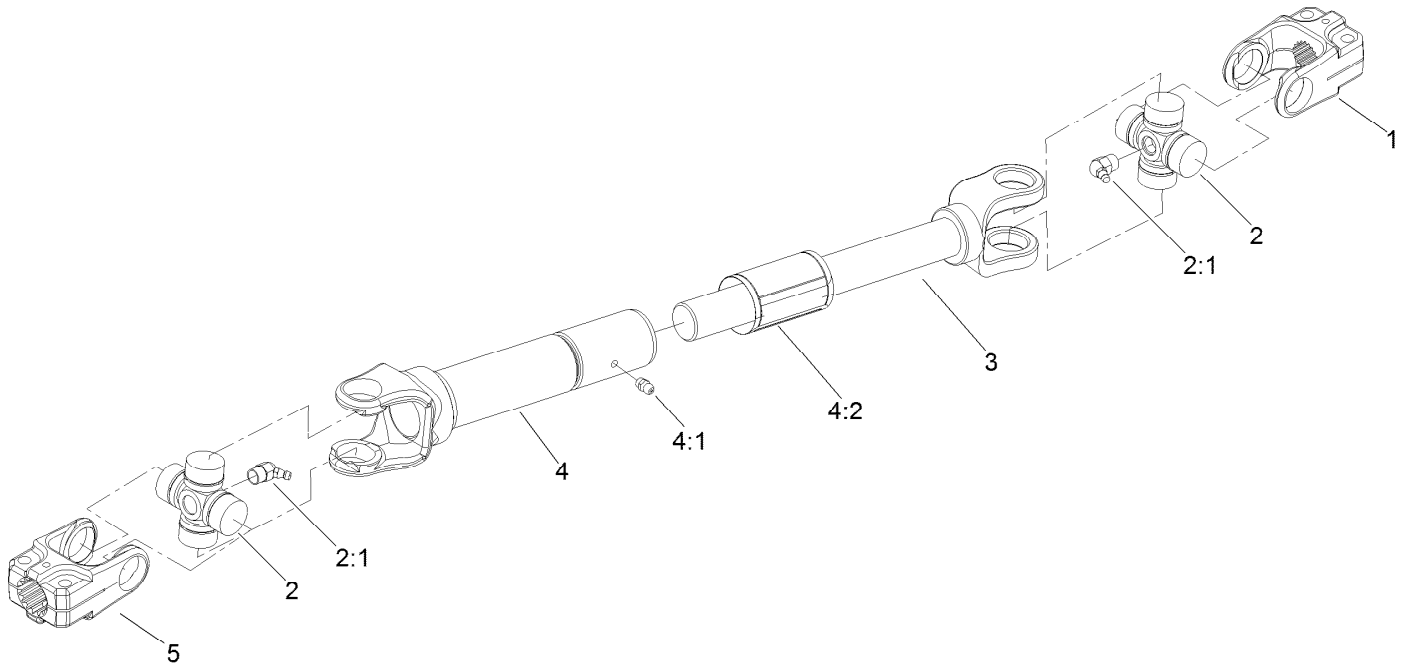
<i>Ref.</i>	<i>Part Number</i>	<i>Qty.</i>	<i>Description</i>	<i>Ref.</i>	<i>Part Number</i>	<i>Qty.</i>	<i>Description</i>
1	1-513374	1	Meter-Hour	10	233-39	1	Knob-Control
2	98-7611	1	Controller-Glow	11	321-13	3	Screw-HH
3	104-8300	1	Nut-Flange, NI	12	3234-14	3	Screw-HHF
4	106-9277	1	Module-Control, Standard	13	3234-5	1	Screw-HHF
5	107-1013	7	Nut-Speed, U-Type	14	3290-199	3	Nut-Speed
6	117-0824	1	Control-Throttle, Diesel	15	3296-2	3	Nut-Lock, NI
7	119-4831-03	1	Console	16	32105-13	10	Screw-HWH
8	119-4832	1	Decal-Panel, Lower	17	42862	1	Block-Terminal, Ground
9	122-0987	1	Harness-Wire, Main	18	42863	1	Strip-Jumper
9:7	94-6710	1	Fuse-2 Amp	19	92-2641	1	Block-Fuse
9:8	218-578	3	Fuse-Blade, 10 Amp	20	218-578	1	Fuse-Blade, 10 Amp
9:9	109355	1	Fuse-Blade, 15 Amp	21	99-7435	1	Relay-Power



## PTO Drive Assembly

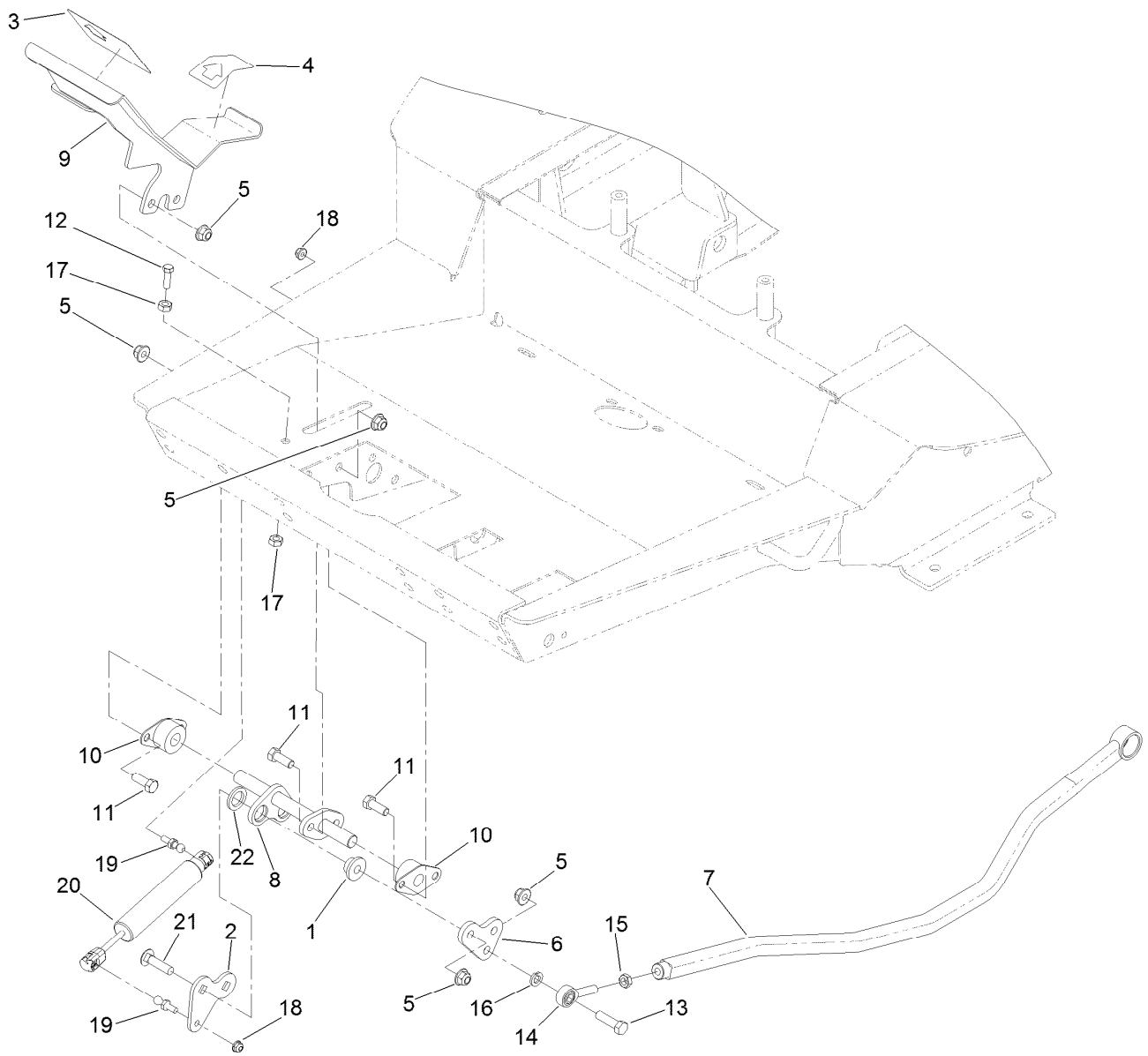
Ref.	Part Number	Qty.	Description
1	92-8855-03	1	Shaft-PTO
2	3257-5	1	Key-Woodruff
3	43-5320-03	1	Pulley-PTO
4	29-4730	1	Washer-Flat
5	3253-21	1	Washer-Lock
6	323-18	1	Screw-HH
7	63-6240	1	V-Belt
8	132-7260-03	1	Mount-Bearing, PTO
9	108-1366	1	PTO Drive Shaft ASM
10	322-5	4	Screw-HH
11	63-8410	4	Washer
12	63-9750	2	Mount
13	84-7580	1	Plate-Support, Bushing
14	323-10	2	Screw-HH

Ref.	Part Number	Qty.	Description
15	3296-39	2	Nut-Lock, NI
16	92-8799	1	Bearing-Flange
16:1	251-77	1	Collar-Lock, Bearing
16:2	3245-35	1	Screw-Set, HSH
16:3	302-40	1	Fitting-Grease, 90 DEG
17	3230-4	2	Screw-CARR
18	104-8300	6	Nut-Flange, NI
19	322-9	4	Screw-HH
20	3296-29	5	Nut-Lock, NI
21	3272-15	1	Pin-Cotter
22	32121-34	1	Pin-Roll
23	322-14	1	Screw-HH
24	3256-23	1	Washer-Flat



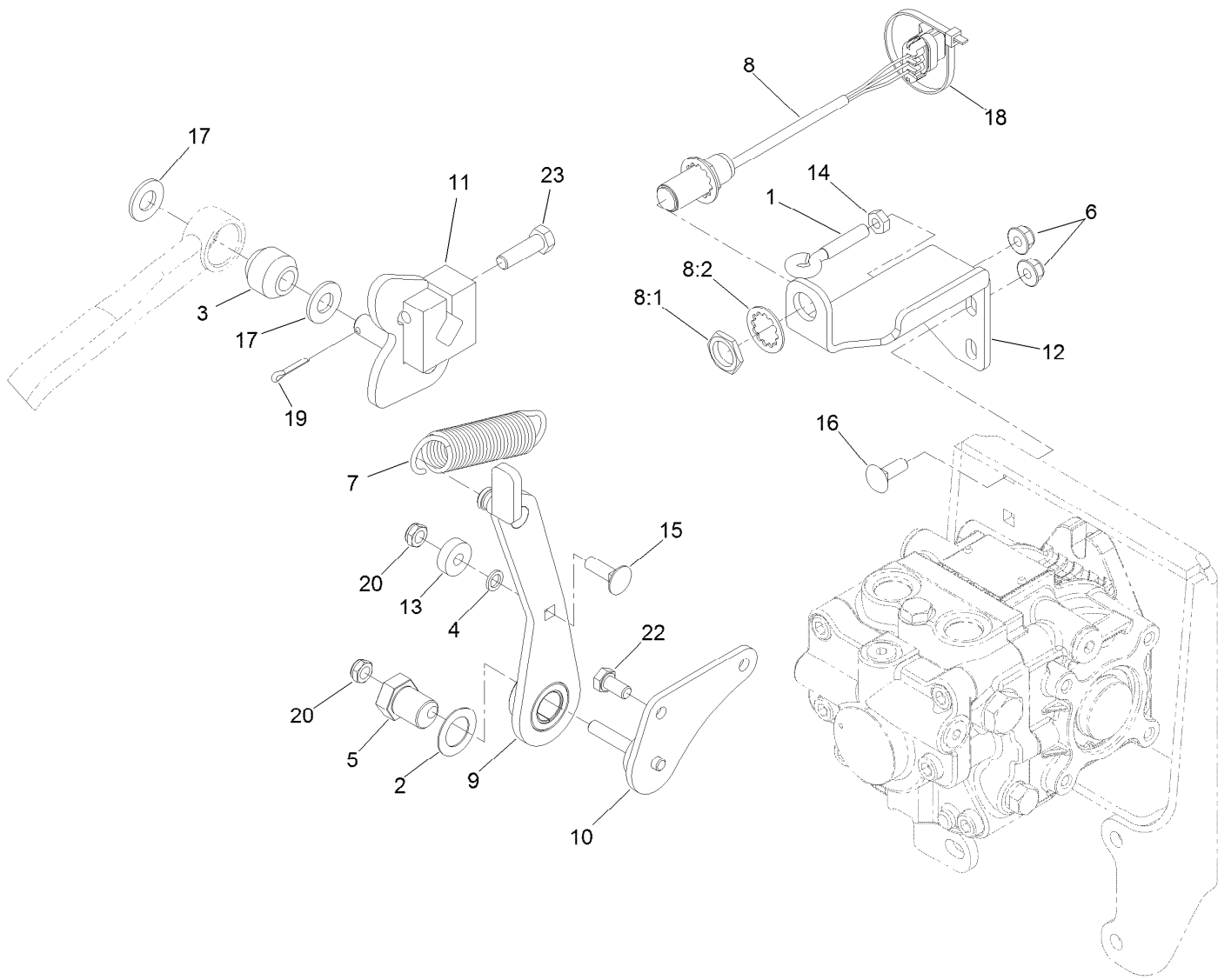
## PTO Driveshaft Assembly No. 108-1366

<i>Ref.</i>	<i>Part Number</i>	<i>Qty.</i>	<i>Description</i>
1	54-9040	1	Yoke-End
2	54-9180	2	U-Joint Kit
2:1	62-3820	1	Fitting-Grease
3	108-6550	1	Shaft-Yoke, Slip
4	108-6551	1	Tube-Yoke, Slip
4:1	302-58	1	Fitting-Straight
4:2	92-1582	1	Decal-Safety
5	54-9090	1	Yoke-End



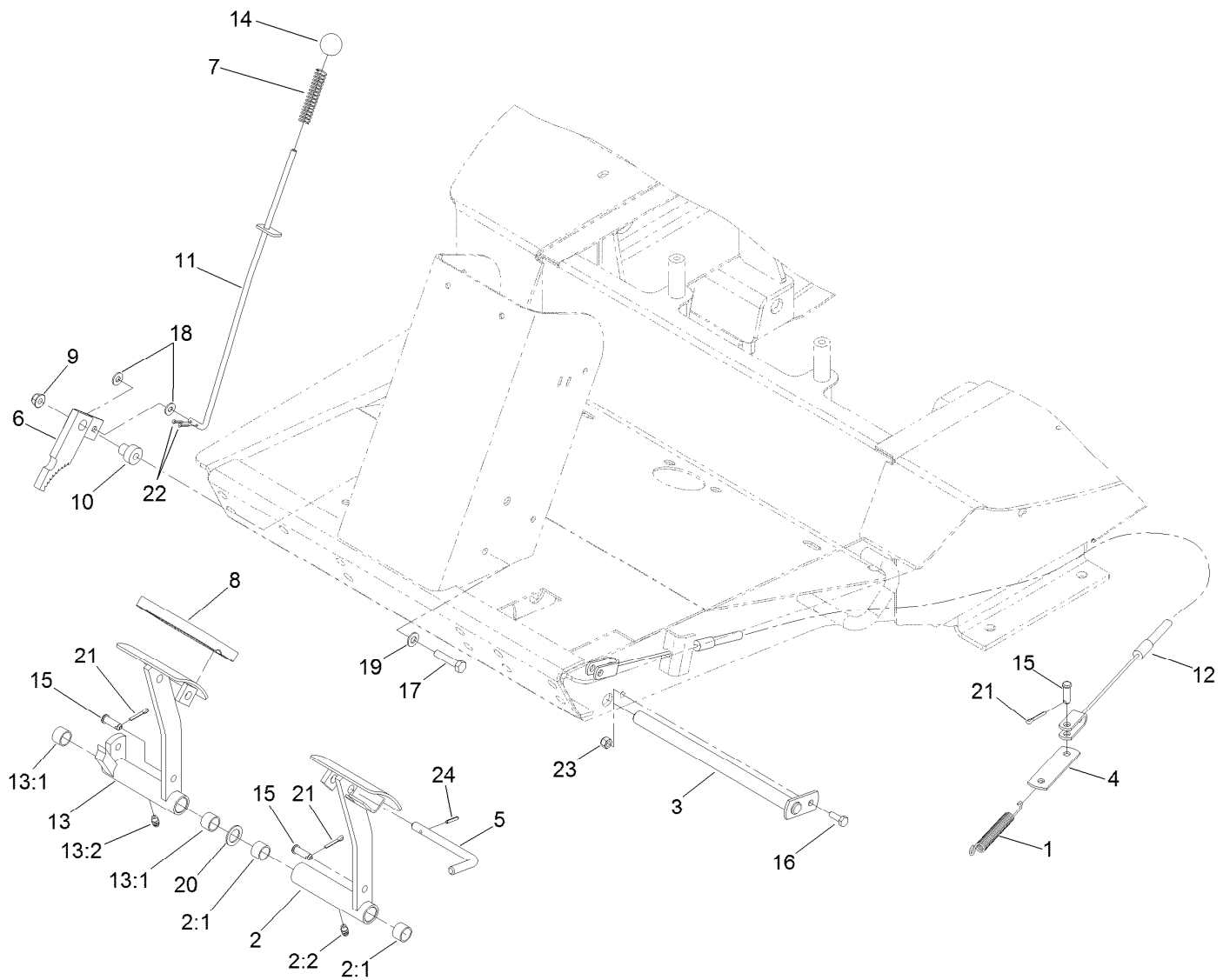
## Traction Pedal Assembly

<i>Ref.</i>	<i>Part Number</i>	<i>Qty.</i>	<i>Description</i>	<i>Ref.</i>	<i>Part Number</i>	<i>Qty.</i>	<i>Description</i>
1	133-6397	2	Bushing-Delrin	12	323-7	1	Screw-HH
2	133-6364	1	Plate-Damper	13	323-29	1	Screw-HH
3	94-3307	1	Pad-Pedal, Traction	14	2411-36	1	Bearing-End, Rod
4	94-3308	1	Pad-Pedal, Traction	15	3220-3	1	Nut-HJ
5	104-8301	9	Nut-Flange, NI	16	3253-21	1	Washer-Lock
6	125-4401	1	Plate-Linkage, Traction	17	3217-7	2	Nut-Hex
7	132-7236-03	1	Rod-Traction	18	104-7201	2	Nut-Flange, NI
8	132-7288	1	Pivot-Traction Pedal	19	132-6917	2	Ball Stud
9	132-7290-03	1	Pedal-Traction	20	133-1171	1	Damper-Non Cavitating
10	256-236	2	Bearing-Mount, Flange	21	3231-4	2	Screw-CARR
11	323-6	6	Screw-HH	22	133-6398	2	Washer-Delrin



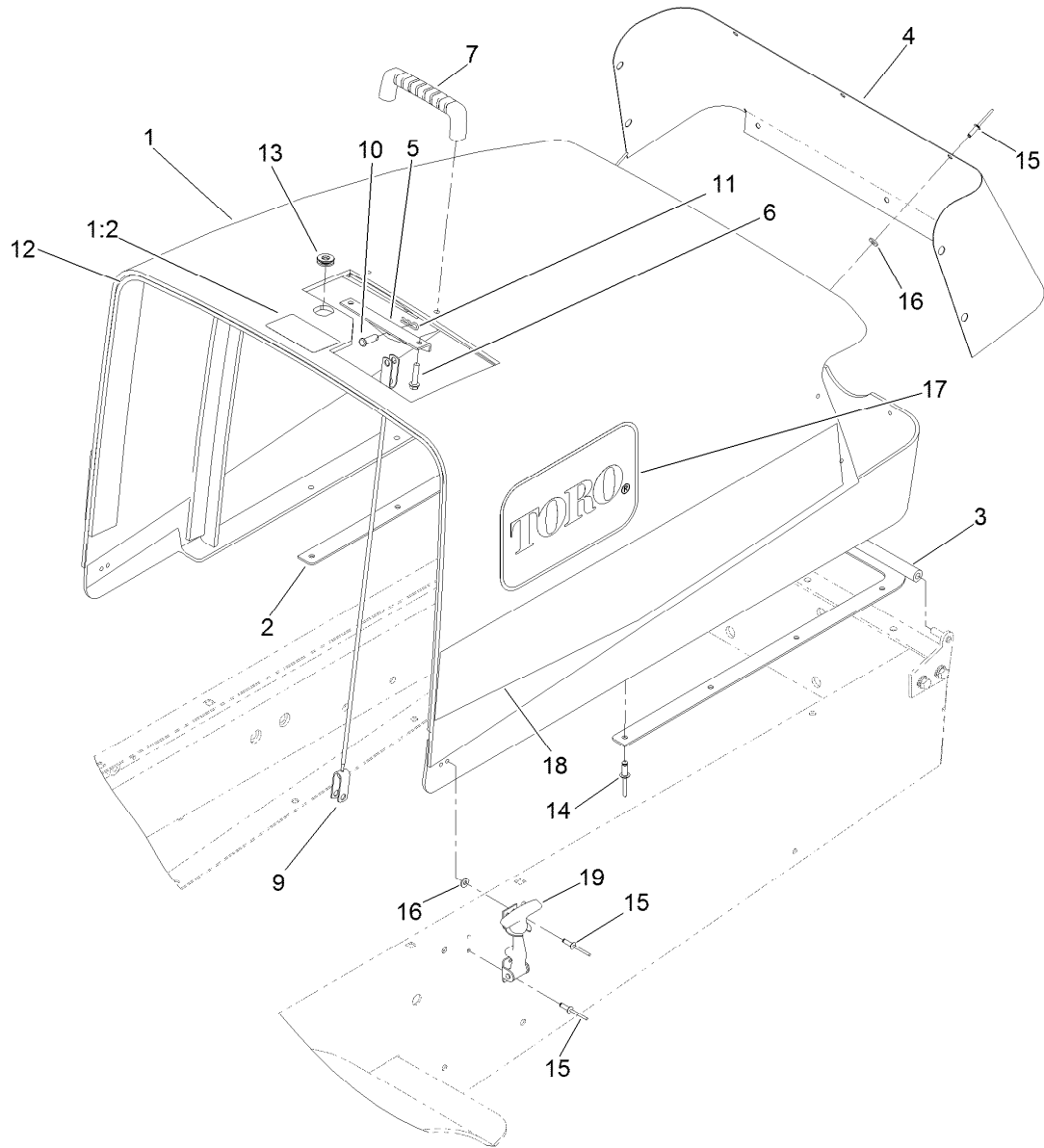
## Transmission Linkage Assembly

Ref.	Part Number	Qty.	Description	Ref.	Part Number	Qty.	Description
1	1-303238	1	Eyebolt-Thread, RH	11	133-6359	1	Cam-Neutral
2	3-6498	1	Washer-Thrust	12	133-6393-03	1	Bracket-Sensor
3	23-2270	1	Bushing-Rubber	13	251-259	1	Bearing-Ball
4	75-5470	1	Spacer-Bearing	14	3218-2	1	Nut-Jam
5	93-2111	1	Stud-Traction	15	3230-2	1	Bolt-CARR
6	104-8300	3	Nut-Flange, NI	16	3230-16	2	Screw-CARR
7	115-4712	1	Spring-Extension	17	3256-26	2	Washer-Flat
8	115-5300	1	Proximity Switch ASM	18	3290-379	1	Tie-Cable
8:1	117-3207	2	Nut-Hex	19	3272-10	1	Pin-Cotter
8:2	117-3208	2	Washer-Lock, Internal Tooth	20	3296-47	2	Nut-Lock, NI
9	130-8730	1	Arm-Neutral	22	33114-016	2	Screw-HH
10	130-8734	1	Pivot	23	323-7	1	Screw-HH



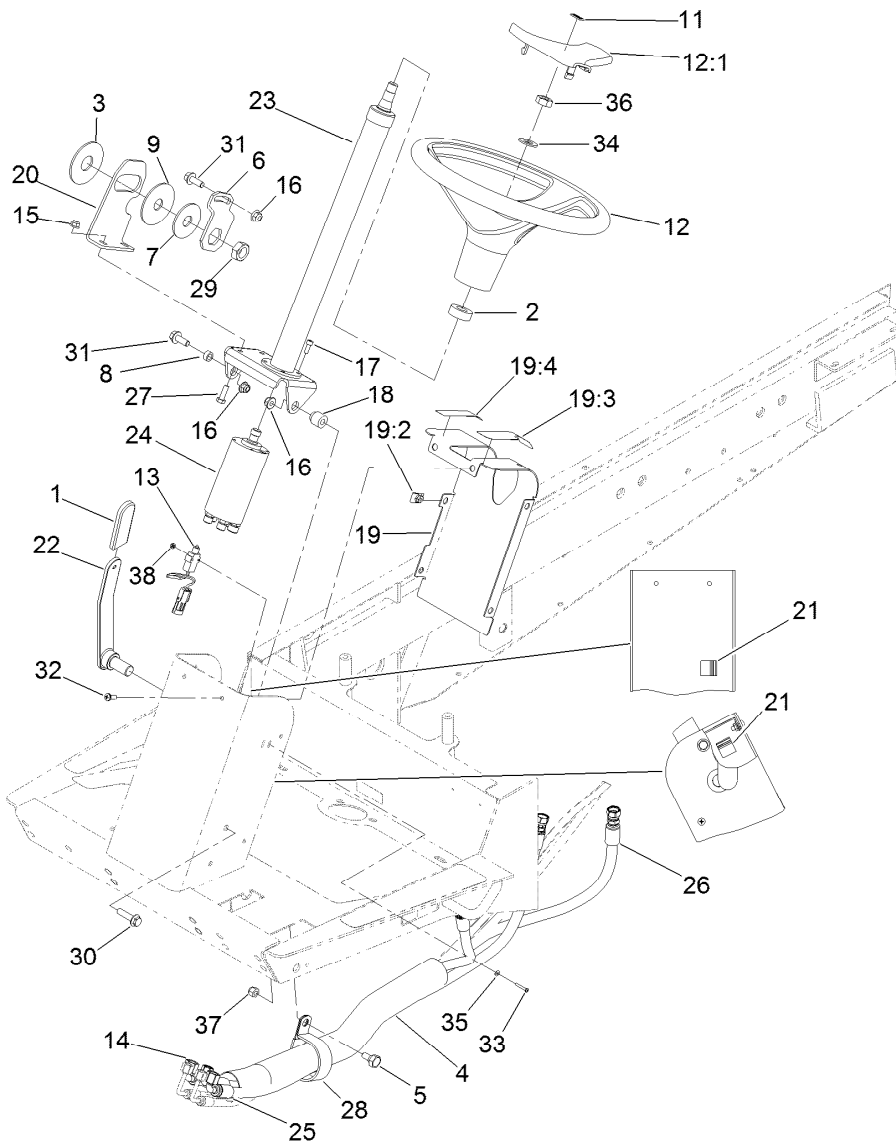
## Brake Pedal and Linkage Assembly

Ref.	Part Number	Qty.	Description	Ref.	Part Number	Qty.	Description
1	3-7243	2	Spring-Extension	13	120-6597	1	RH Brake Pedal ASM
2	63-6180	1	Pedal-Brake, LH	13:1	256-42	2	Bushing
2:1	256-42	2	Bushing	13:2	302-5	1	Fitting-Grease
2:2	302-5	1	Fitting-Grease	14	233-17	1	Knob
3	63-6210-03	1	Pin-Brake	15	283-58	4	Pin-Clevis
4	63-6750	2	Link-Cable, Brake	16	321-4	1	Screw-HH
5	63-7880	1	Pin-Latch, Brake	17	322-7	1	Screw-HH
6	63-7900-03	1	Rack	18	3256-22	2	Washer-Flat
7	71-8310	1	Spring-Compression	19	3256-23	1	Washer-Flat
8	93-8742	2	Footpad-Brake	20	3256-69	2	Washer-Flat
9	104-8300	1	Nut-Flange, NI	21	3272-10	4	Pin-Cotter
10	105-7156	1	Spacer	22	3272-5	2	Pin-Cotter
11	105-7168	1	Rod ASM	23	3296-42	1	Nut-Lock, NI
12	108-6556	2	Cable-Brake	24	32121-50	1	Pin-Spring



## Hood Assembly

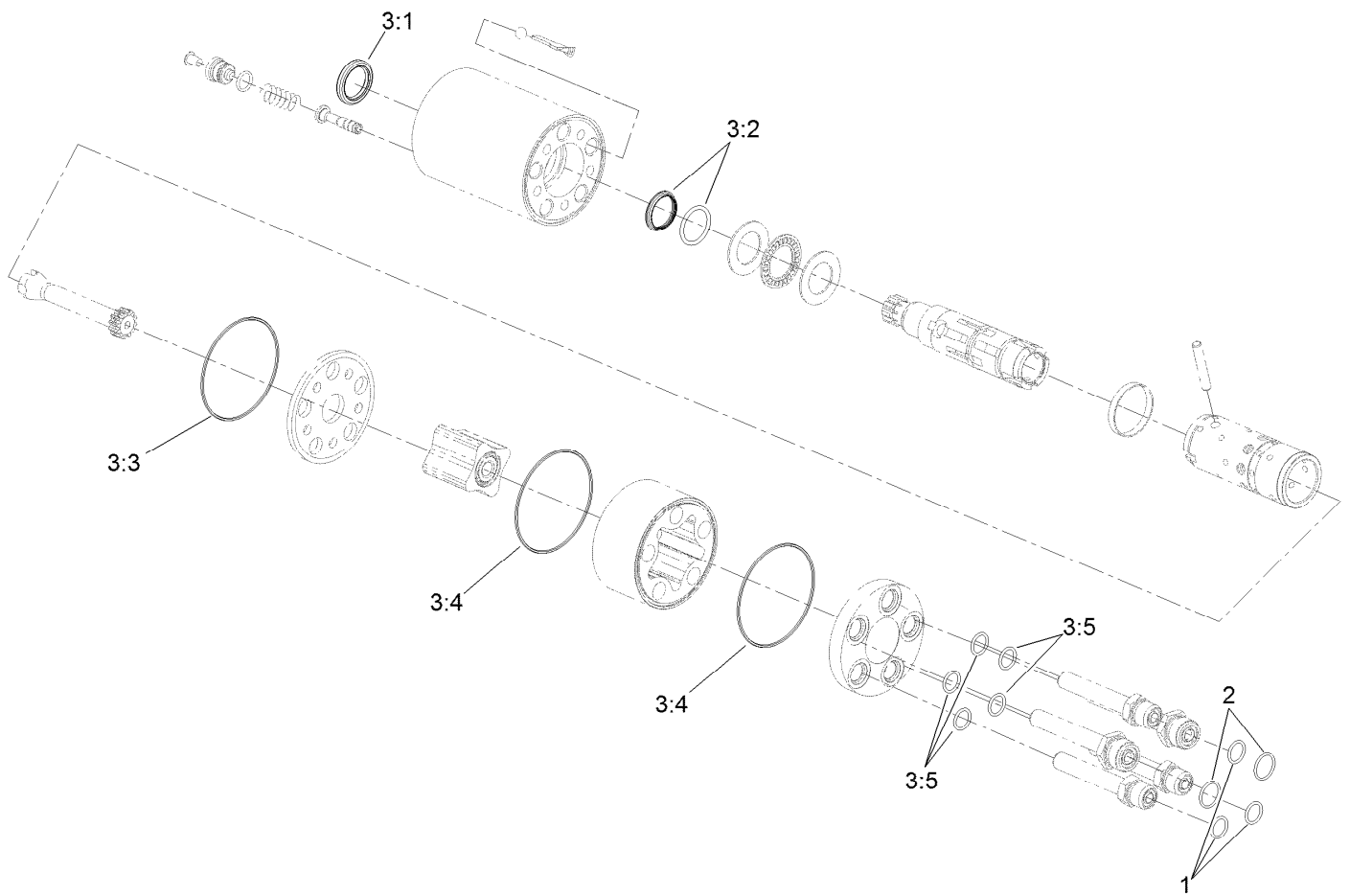
<i>Ref.</i>	<i>Part Number</i>	<i>Qty.</i>	<i>Description</i>	<i>Ref.</i>	<i>Part Number</i>	<i>Qty.</i>	<i>Description</i>
1	119-2195	1	Hood ASM	11	3290-307	2	Pin-Cotter
1:2	106-6754	1	Decal-Danger	12	105-3651	1	Strip-Foam
2	105-4277-03	1	RH Hood Hinge ASM	13	104-1453	1	Grommet
3	105-4278-03	1	LH Hood Hinge ASM	14	3290-412	12	Rivet
4	105-0006-03	1	Screen-Hood	15	3269-4	18	Rivet-Pop
5	105-0088-03	1	Bracket-Cable, Hood	16	3256-51	14	Washer-Flat
6	46-8092	2	Screw-Plastite	17	66-6140	2	Decal
7	65-5100	1	Handle-Door	18	108-2067	2	Decal
9	105-3650	1	Cable-Hood	19	95-6339	2	Latch
10	283-58	2	Pin-Clevis				



## Steering Assembly

Ref.	Part Number	Qty.	Description	Ref.	Part Number	Qty.	Description
1	21-1880	1	Grip-Handle	19:4	82-8940	1	Decal-Steering, Tilt
2	21-9260	1	Cover-Dust	20	105-7181-03	1	Plate-Pivot
3	31-0390	1	Disc-Friction	21	105-7188	2	Clamp-Adhesive
4	44-8530	1	Protector-Sleeve	22	108-6092	1	Lever-Steering, Tilt
5	46-3380	1	Bolt-Shoulder	23	114-2884	1	Column ASM
6	80-2880	1	Bracket-Tilt	24	131-5624	1	Steer Valve ASM
7	80-2930	1	Washer-Flat	25	132-7244	1	Hose ASM
8	80-2960	1	Spacer-Tower	26	132-7245	1	HYD Hose ASM
9	82-9010	1	Disc-Friction	27	322-5	2	Screw-HH
11	98-1459	1	Decal	28	2412-102	1	Clamp-R
12	98-1471	1	Wheel-Steering	29	3218-7	1	Nut-Jam
12:1	98-1468	1	Cover-Wheel, Steering	30	3234-18	1	Screw-HHF
13	99-3410	1	Switch	31	3234-42	2	Screw-HHF
14	133-6399	1	Hose HYD ASM	32	3250-32	6	Screw-PPH
15	104-8300	2	Nut-Flange, NI	33	3250-35	2	Screw-PPH
16	104-8301	3	Nut-Flange, NI	34	3256-27	1	Washer-Flat
17	105-2409	4	Screw-HSH	35	3256-53	2	Washer-Flat
18	105-7166	1	Spacer	36	3296-33	1	Nut-Lock, NI
19	105-7180	1	Tower Panel ASM	37	3296-39	1	Nut-Lock, NI
19:2	105-7170	6	Nut-Retainer	38	32149-6	2	Nut-Keps
19:3	105-7179	1	Decal-Brake, Parking				



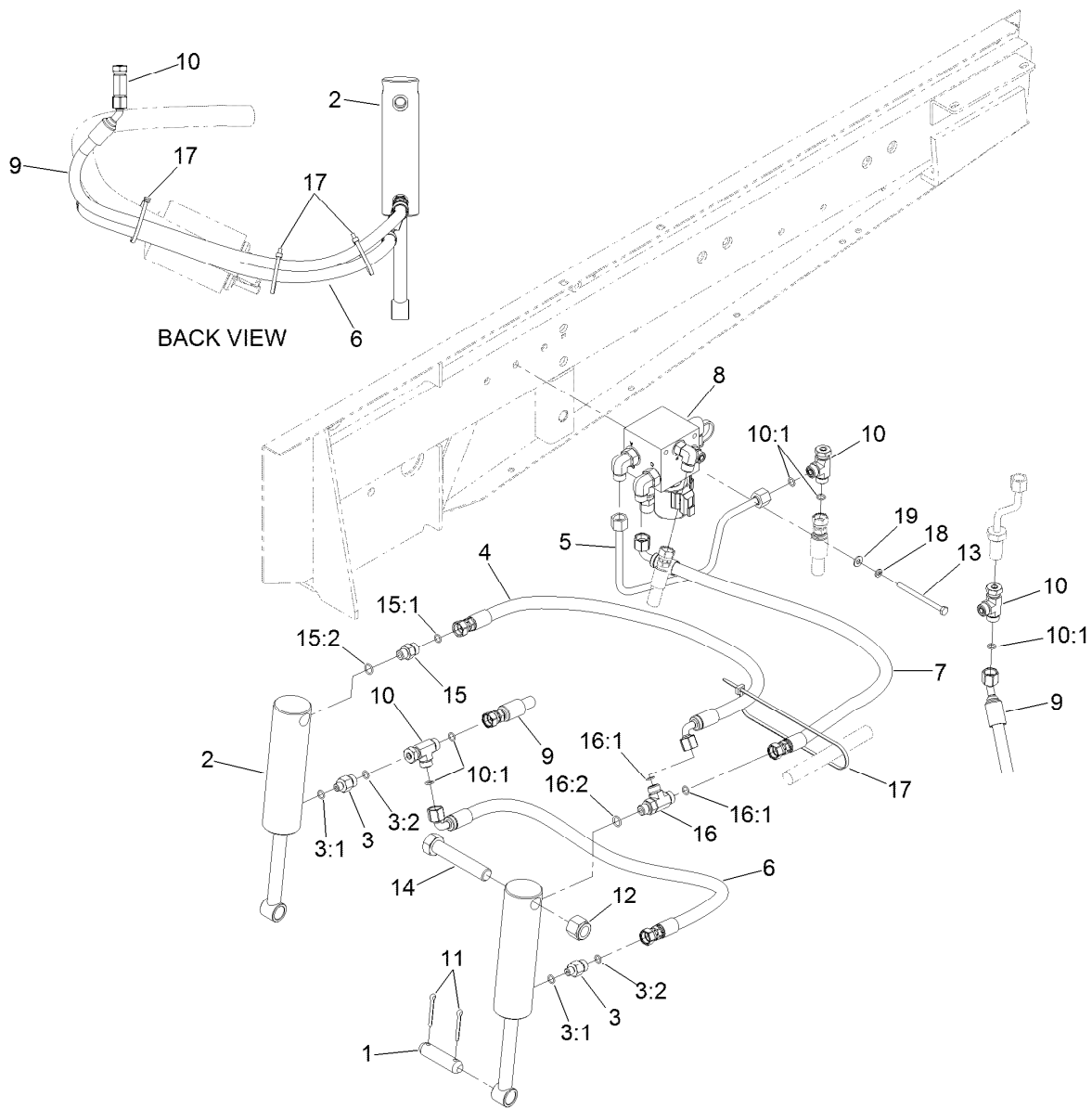


## Steer Valve Assembly No. 131-5624

Ref.	Part Number	Qty.	Description
1	237-21	3	O-Ring
2	237-22	2	O-Ring
3	106-6716	1	Seal Kit ●
3:1		1	Ring-Seal, Dust ■
3:2		1	Seal-Shaft ■
3:3		1	O-Ring ■
3:4		2	O-Ring ■
3:5		5	O-Ring ■

● Not illustrated

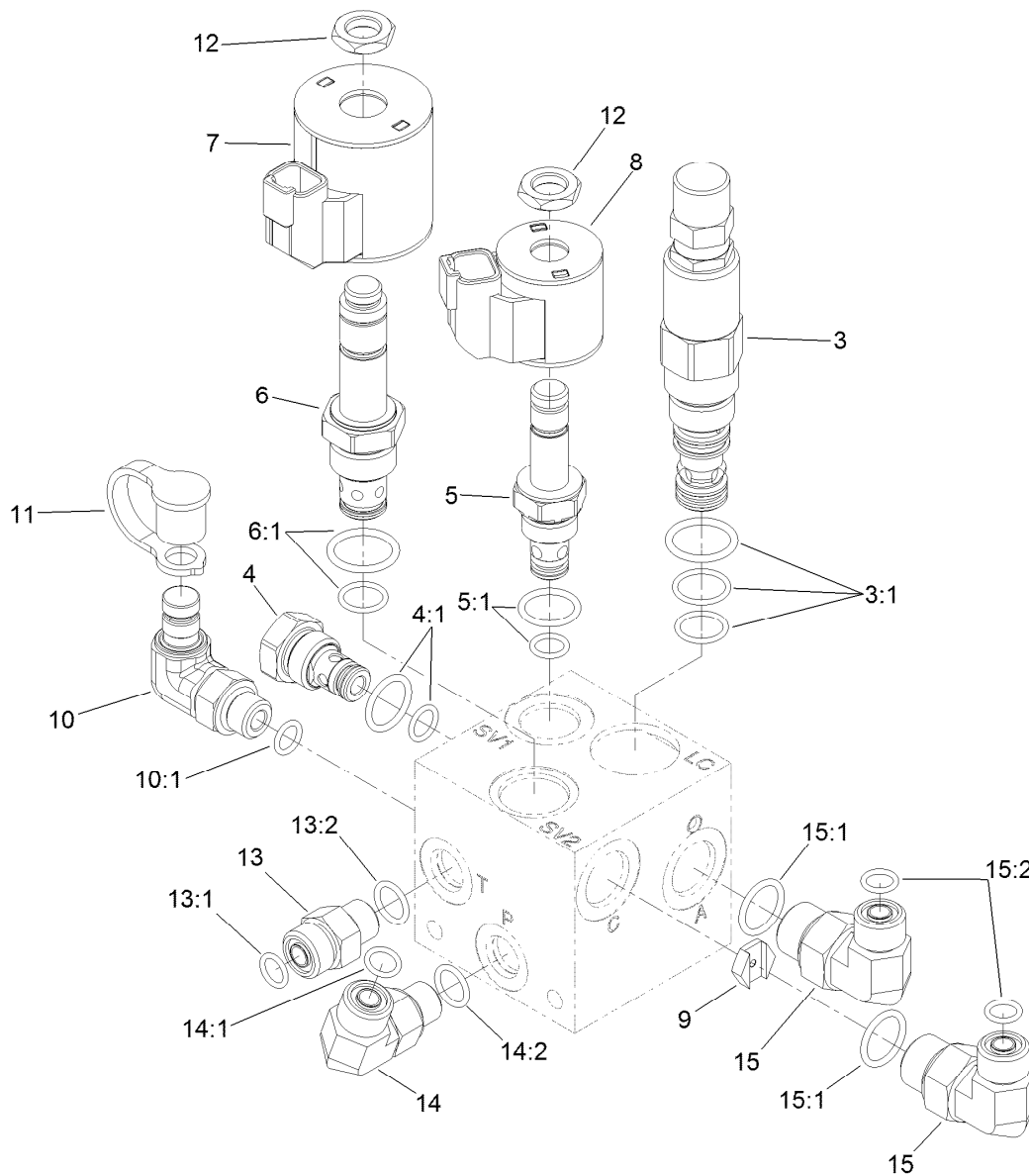
■ Not serviced separately



## Hydraulic Assembly

Ref.	Part Number	Qty.	Description
1	27-4240	2	Pin-Cylinder
2	63-6630	2	HYD Cylinder ASM
3	340-88	2	Fitting-Str
3:1	237-22	1	O-Ring
3:2	237-78	1	O-Ring
4	95-8828	1	Hose ASM
5	133-6366	1	Tube ASM-HYD
6	114-5500	1	Hose-Hydraulic
7	120-6572	1	Hose-HYD
8	132-7243	1	Valve ASM
9	133-6353	1	Hose ASM-HYD
10	340-115	3	Fitting-Tee, Swivel Nut
10:1	237-22	2	O-Ring

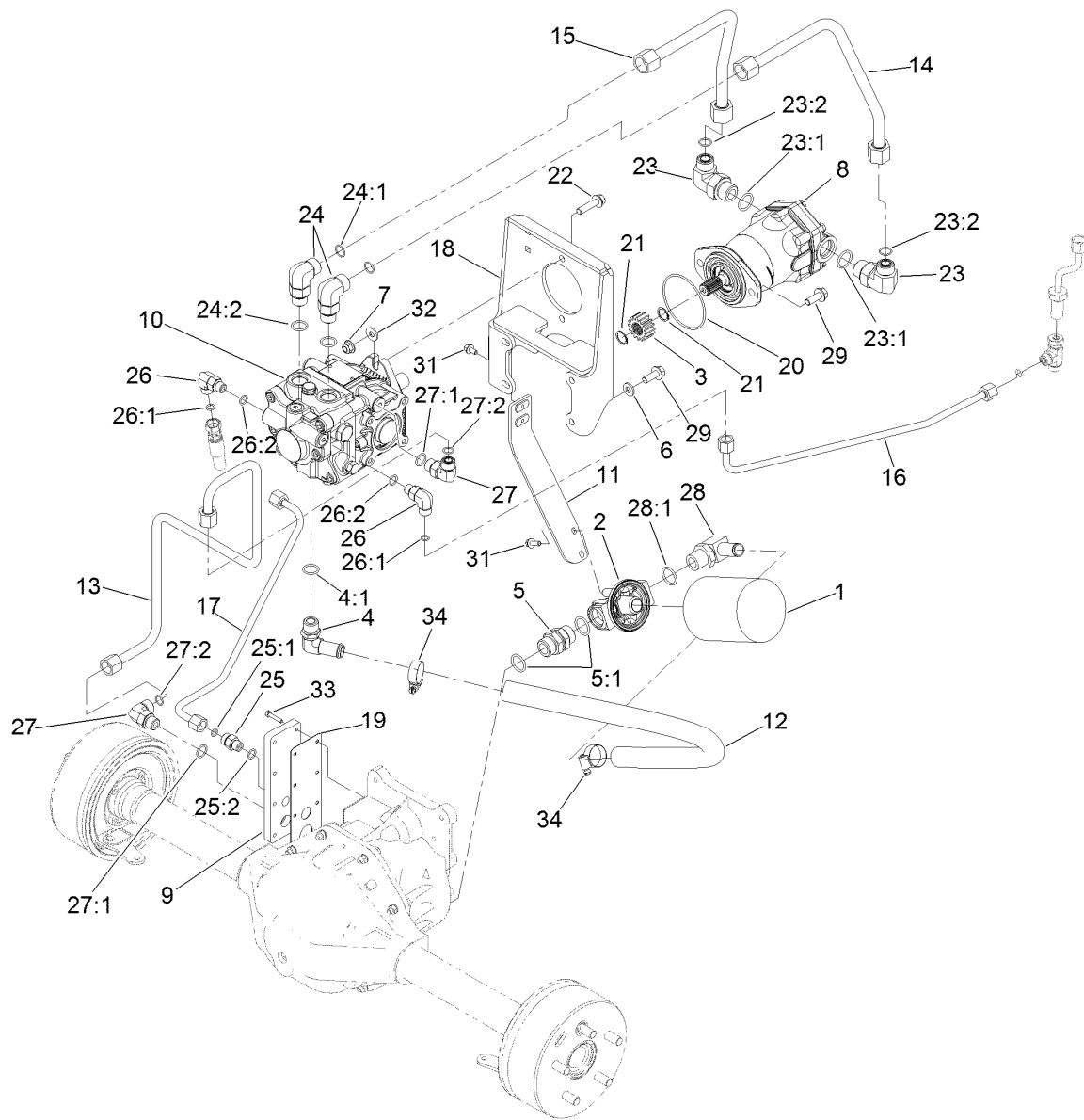
Ref.	Part Number	Qty.	Description
11	3272-23	4	Pin-Cotter
12	3296-51	2	Nut-Lock, NI
13	321-19	2	Screw-HH
14	328-7	2	Screw-HH
15	340-2	1	Fitting-Str
15:1	237-22	1	O-Ring
15:2	237-42	1	O-Ring
16	340-86	1	Fitting-Tee
16:1	237-22	2	O-Ring
16:2	237-42	1	O-Ring
17	3290-379	4	Tie-Cable
18	3253-3	2	Washer-Lock
19	3256-22	2	Washer-Flat



## Valve Assembly No. 132-7243

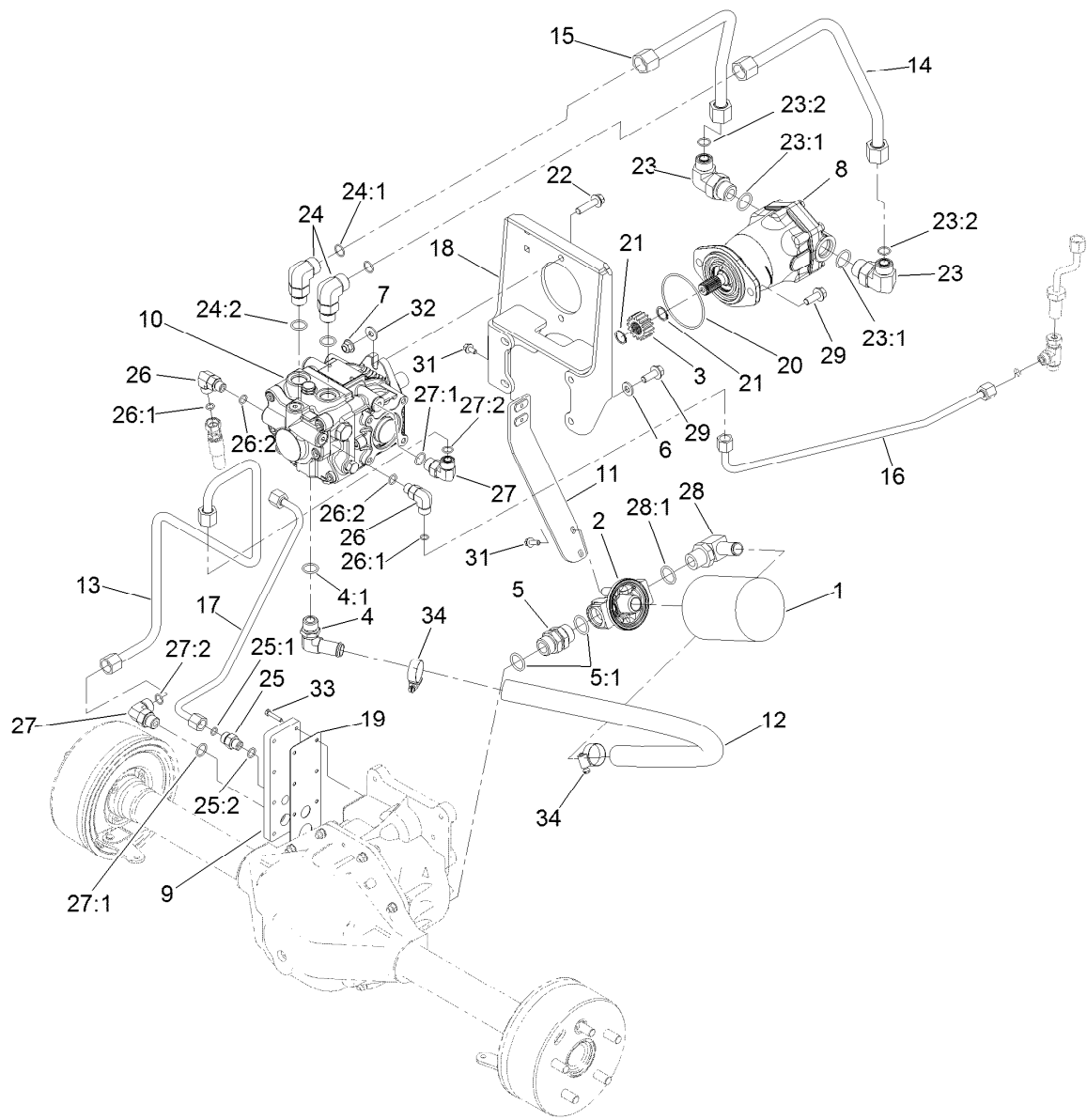
Ref.	Part Number	Qty.	Description
3	120-6554	1	Valve-Logic
3:1	119-2159	1	Seal Kit
4	114-2873	1	Check Valve ASM
4:1	105-9156	1	Seal Kit
5	120-6562	1	Valve-Solenoid
5:1	105-9156	1	Seal Kit
6	120-6561	1	Valve-Solenoid
6:1	105-9159	1	Seal Kit
7	115-3021	1	Coil-12V
8	119-8036	1	Coil
9	120-6558	1	Orifice-Control, Flow (0.100In)
10	115-9147	1	Fitting-Elbow, 90 DEG

Ref.	Part Number	Qty.	Description
10:1	237-78	1	O-Ring
11	354-79	1	Cap-Dust
12	110-2634	2	Nut-Coil
13	340-2	1	Fitting-Str
13:1	237-22	1	O-Ring
13:2	237-42	1	O-Ring
14	340-77	1	Fitting-Elbow 90
14:1	237-22	1	O-Ring
14:2	237-42	1	O-Ring
15	340-18	2	Fitting-HYD, 90 DEG
15:1	237-79	1	O-Ring
15:2	237-22	1	O-Ring



## Transmission Hydraulic Assembly

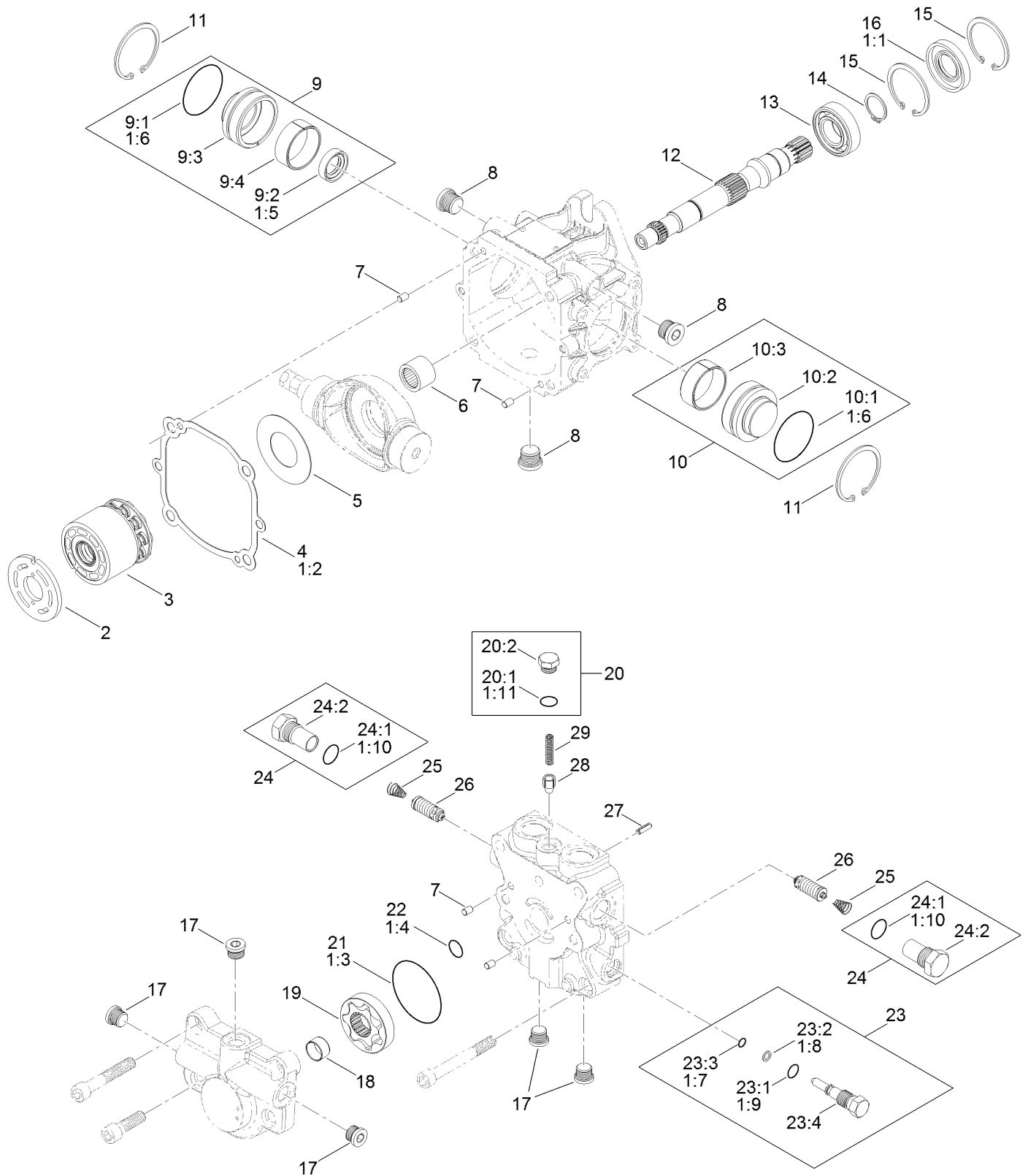
Ref.	Part Number	Qty.	Description	Ref.	Part Number	Qty.	Description
1	54-0110	1	Filter-Oil, Transmission	20	237-161	1	O-Ring
2	68-8990	1	Head-Filter	21	32120-72	2	Ring-Snap
3	86-7220	1	Gear-Pinion	22	114-4681	2	Screw-HHF
4	87-8170	1	Fitting	23	340-139	2	Fitting-Elbow 90
4:1	237-80	1	O-Ring	23:1	237-81	1	O-Ring
5	98-9906	1	Fitting-Thread, Straight	23:2	237-65	1	O-Ring
5:1	237-81	2	O-Ring	24	340-17	2	Fitting-Elbow 90
6	100-4852	1	Washer-Hardened	24:1	237-65	1	O-Ring
7	104-8301	2	Nut-Flange, NI	24:2	237-80	1	O-Ring
8	130-8724	1	Motor-Hydraulic	25	340-2	1	Fitting-Str
9	130-8755	1	Plate-Axle	25:1	237-22	1	O-Ring
10	133-6385	1	Pump-Hydraulic	25:2	237-42	1	O-Ring
11	132-7227-03	1	Bracket-Filter	26	340-77	2	Fitting-Elbow 90
12	132-7242	1	Hose-Suction	26:1	237-22	1	O-Ring
13	132-7250	1	Tube ASM	26:2	237-42	1	O-Ring
14	132-7251	1	Tube ASM	27	340-98	2	Fitting-HYD, 90 DEG
15	132-7252	1	Tube ASM	27:1	237-79	1	O-Ring
16	133-6352	1	Tube ASM	27:2	237-30	1	O-Ring
17	133-6351	1	Tube ASM	28	353-987	1	Fitting-HYD, 90 DEG (Barbed)
18	132-7276-03	1	Bracket-Pump	28:1	237-81	1	O-Ring
19	132-7277	1	Gasket-Plate, Axle				



## Transmission Hydraulic Assembly (continued)

<i>Ref.</i>	<i>Part Number</i>	<i>Qty.</i>	<i>Description</i>	<i>Ref.</i>	<i>Part Number</i>	<i>Qty.</i>	<i>Description</i>
29	3234-42	6	Screw-HHF	33	117-1701	8	Screw-HWHTF
31	3234-4	4	Screw-HHF	34	2412-129	2	Clamp-Hose
32	3256-3	2	Washer-Flat				

# Hydraulic Pump Assembly No. 133-6385

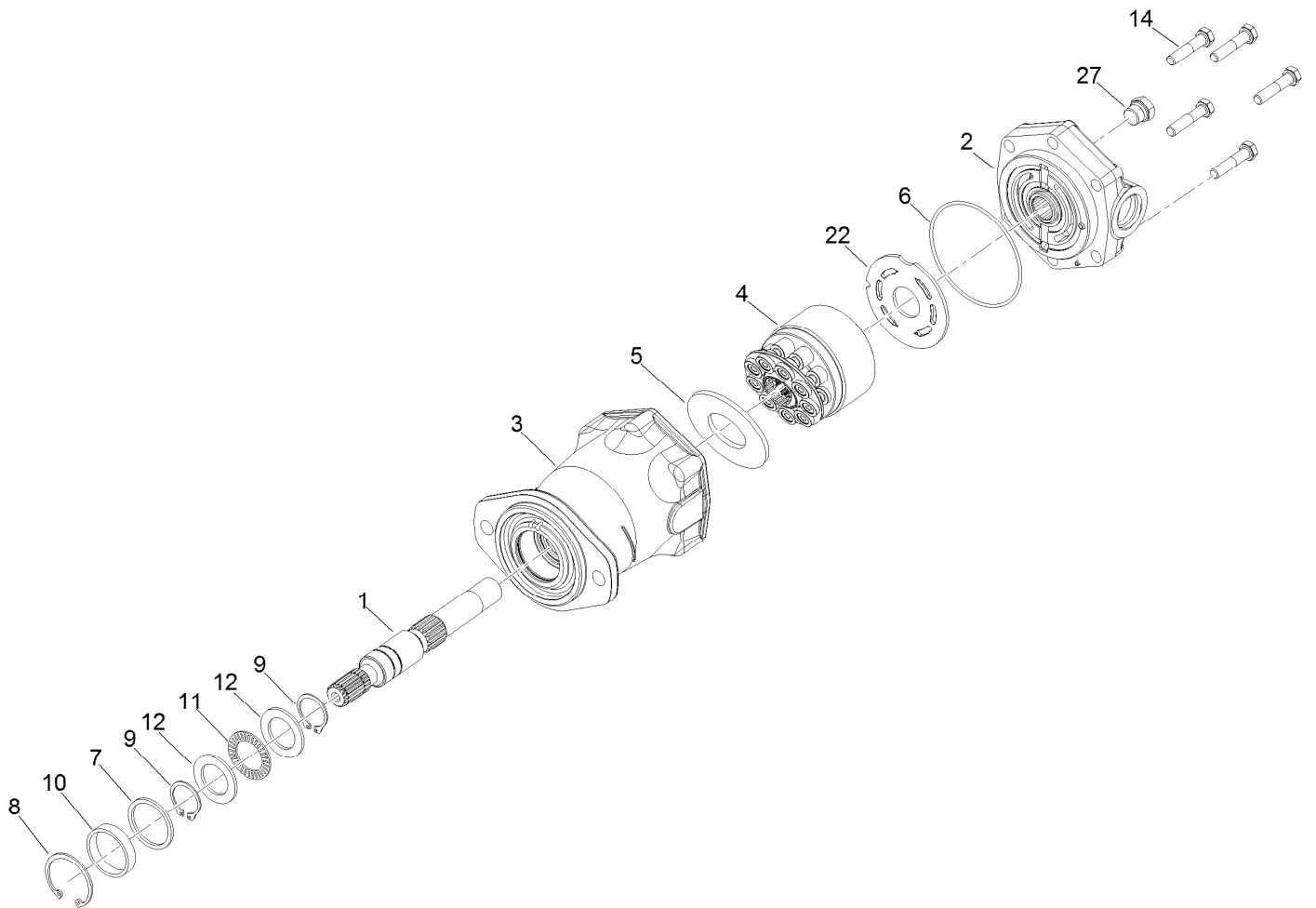


1 = Items Included in Seal Overhaul Kit

# Hydraulic Pump Assembly No. 133-6385 (continued)

<i>Ref.</i>	<i>Part Number</i>	<i>Qty.</i>	<i>Description</i>	<i>Ref.</i>	<i>Part Number</i>	<i>Qty.</i>	<i>Description</i>
1	136-1010	1	Seal Overhaul Kit	10:3		1	Race-Inner ●
1:1	136-1021	1	Seal-Lip, Shaft	11	136-1020	2	Ring-Retaining
1:2	136-1023	1	Gasket-Cap, End	12	136-1016	1	Shaft-Drive
1:3	136-1031	1	O-Ring	13	136-1017	1	Bearing-Ball
1:4	136-1032	1	O-Ring	14	136-1018	1	Ring-Retaining
1:5		1	Seal-Lip, Journal Bearing ●	15	136-1019	2	Ring-Retaining
1:6		2	O-Ring, Journal Bearing ●	16	136-1021	1	Seal-Lip, Shaft
1:7		1	O Ring-Valve, Bypass ●	17	136-1027	5	Plug ASM
1:8		1	Ring-Back Up ●	18	136-1030	1	Bearing-Journal
1:9		1	O Ring-Valve, Bypass ●	19	136-1029	1	Gerotor ASM
1:10		2	O Ring-Plug ●	20	136-1028	1	Plug ASM
1:11		1	O Ring-Plug ●	20:1		1	O-Ring ●
2	136-1012	1	Plate-Valve, CCW	20:2		1	Plug ●
3	136-1011	1	Cylinder Block Kit	21	136-1031	1	O-Ring
4	136-1023	1	Gasket-Cap, End	22	136-1032	1	O-Ring
5	136-1013	1	Plate-Thrust	23	136-1037	1	Bypass Valve ASM
6	136-1022	1	Bearing-Needle	23:1		1	O-Ring ●
7	136-1024	4	Pin	23:2		1	Back Up Ring ●
8	74-9450	3	Plug	23:3		1	O-Ring ●
9	136-1014	1	Journal Bearing Carrier ASM	23:4		1	Plug ●
9:1		1	O-Ring ●	24	136-1025	2	Plug ASM
9:2		1	Seal-Lip ●	24:1		1	O-Ring ●
9:3		1	Body ●	24:2		1	Plug ●
9:4		1	Race-Inner ●	25	136-1035	2	Spring
10	136-1015	1	Journal Bearing Carrier ASM	26	136-1036	2	Valve-Scr
10:1		1	O-Ring ●	27	131-3800	1	Pin-Slotted
10:2		1	Body ●	28	136-1033	1	Cone-Valve, Relief
				29	136-1034	1	Spring

● Not serviced separately

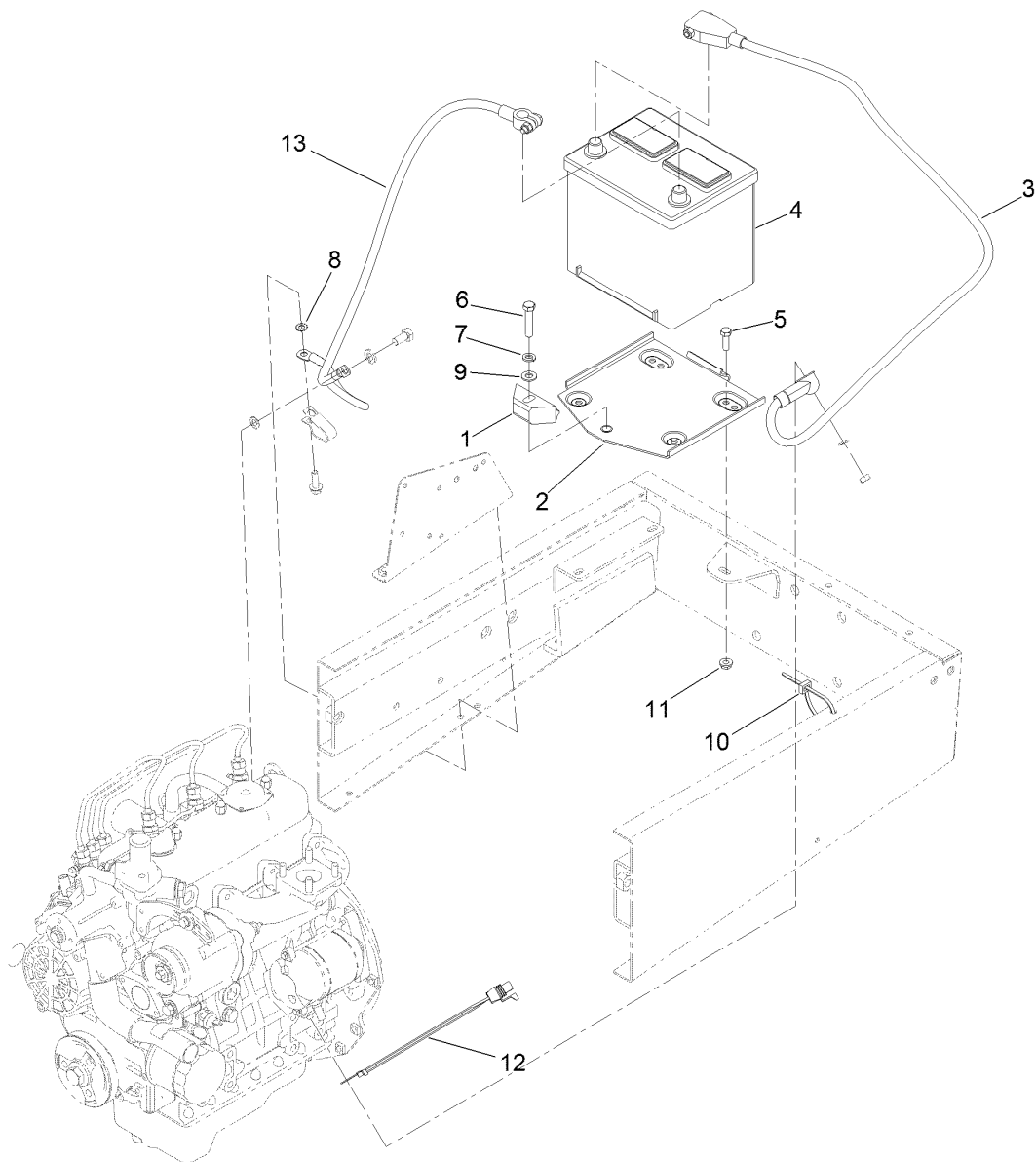


## Hydraulic Motor Assembly No. 130-8724

Ref.	Part Number	Qty.	Description
1	136-1038	1	Shaft-Drive, Splined
2		1	Backplate ASM ●
3		1	Housing ASM ●
4	136-1039	1	Rotating Kit ASM
5	136-1040	1	Insert-Camplate
6	136-1041	1	O-Ring
7	136-1042	1	Washer
8	136-1043	1	Ring-Retaining
9	136-1044	2	Ring-Retaining
10	136-1045	1	Spacer
11	136-1046	1	Bearing-Thrust
12	136-1047	2	Race-Bearing
14		1	Screw-Cap ●
22	136-1048	1	Plate-Valve
27	136-1049	1	Plug ASM

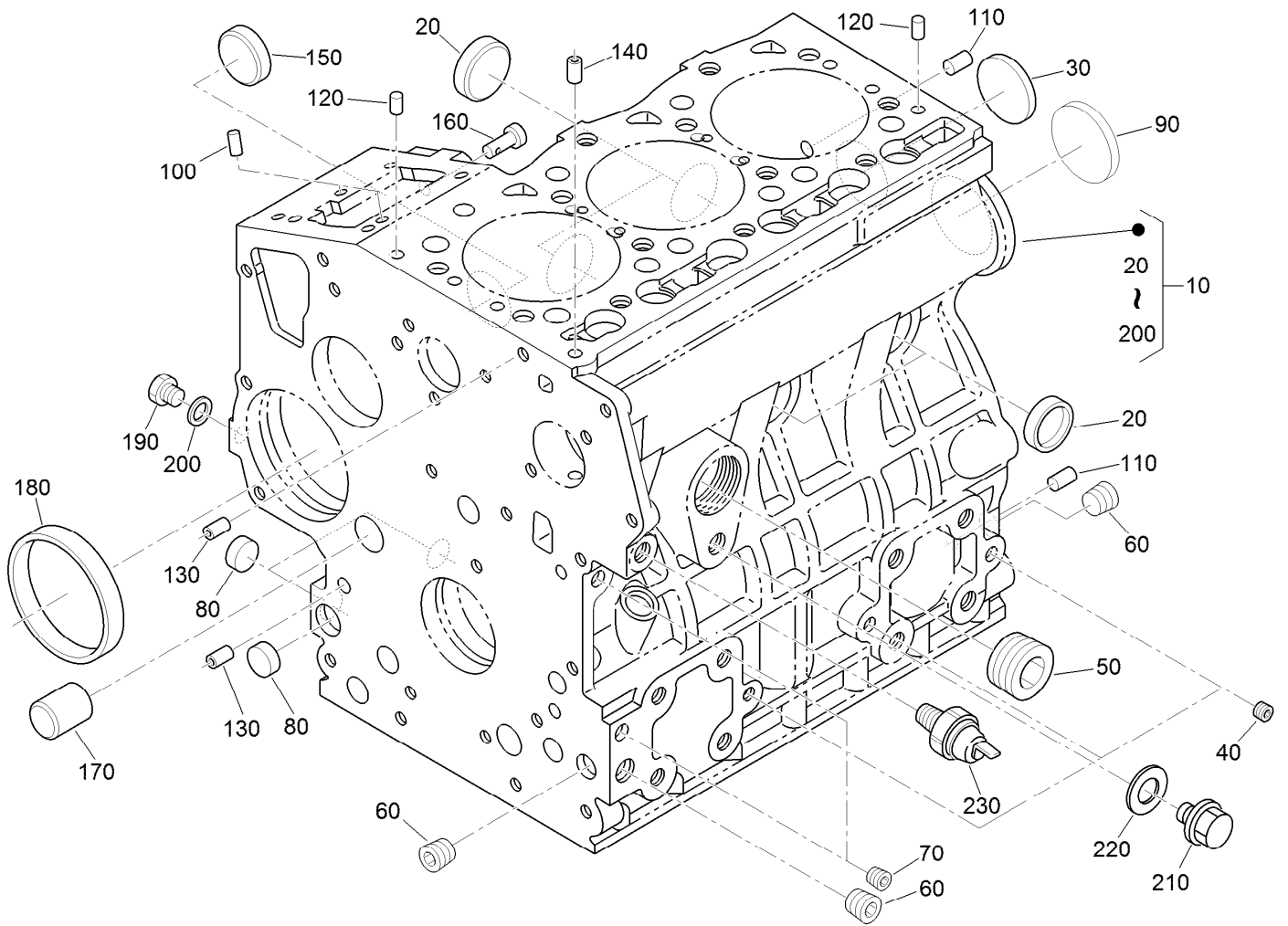
● Not serviced separately





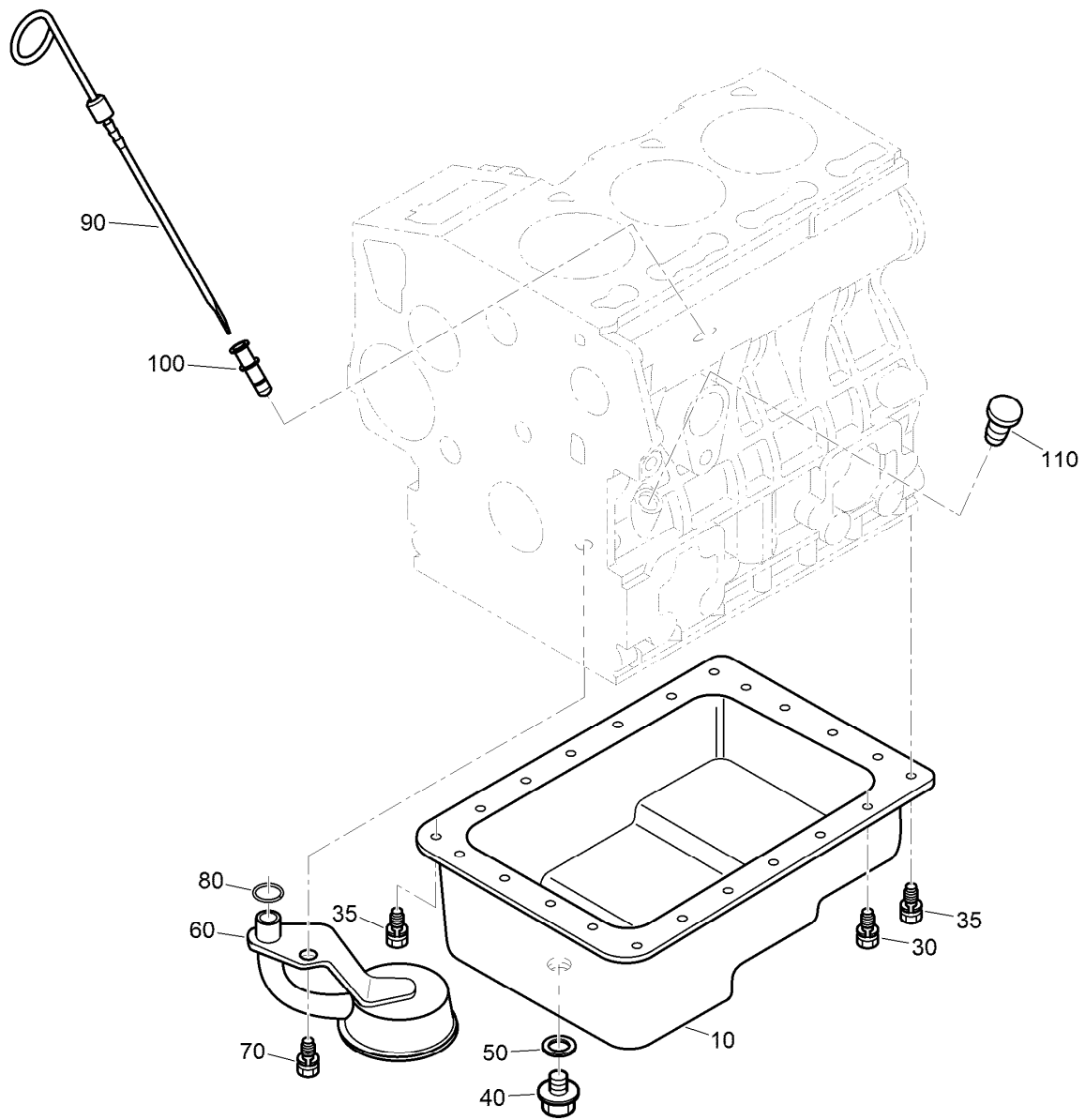
## Battery Assembly

<b>Ref.</b>	<b>Part Number</b>	<b>Qty.</b>	<b>Description</b>
1	66-2490	1	Retainer-Battery
2	94-7343	1	Base-Battery
3	104-0086	1	Cable-Battery, Positive
4	106-5187	1	Battery-Dry
5	322-5	3	Screw-HH
6	323-9	1	Screw-HH
7	3253-21	1	Washer-Lock
8	3255-8	1	Washer-Lock
9	3256-24	1	Washer-Flat
10	3290-378	8	Tie-Cable
11	32128-20	3	Nut-HF
12	99-3441	1	Harness-Wire, Fusible Link
13	105-0040	1	Cable-Battery, Negative



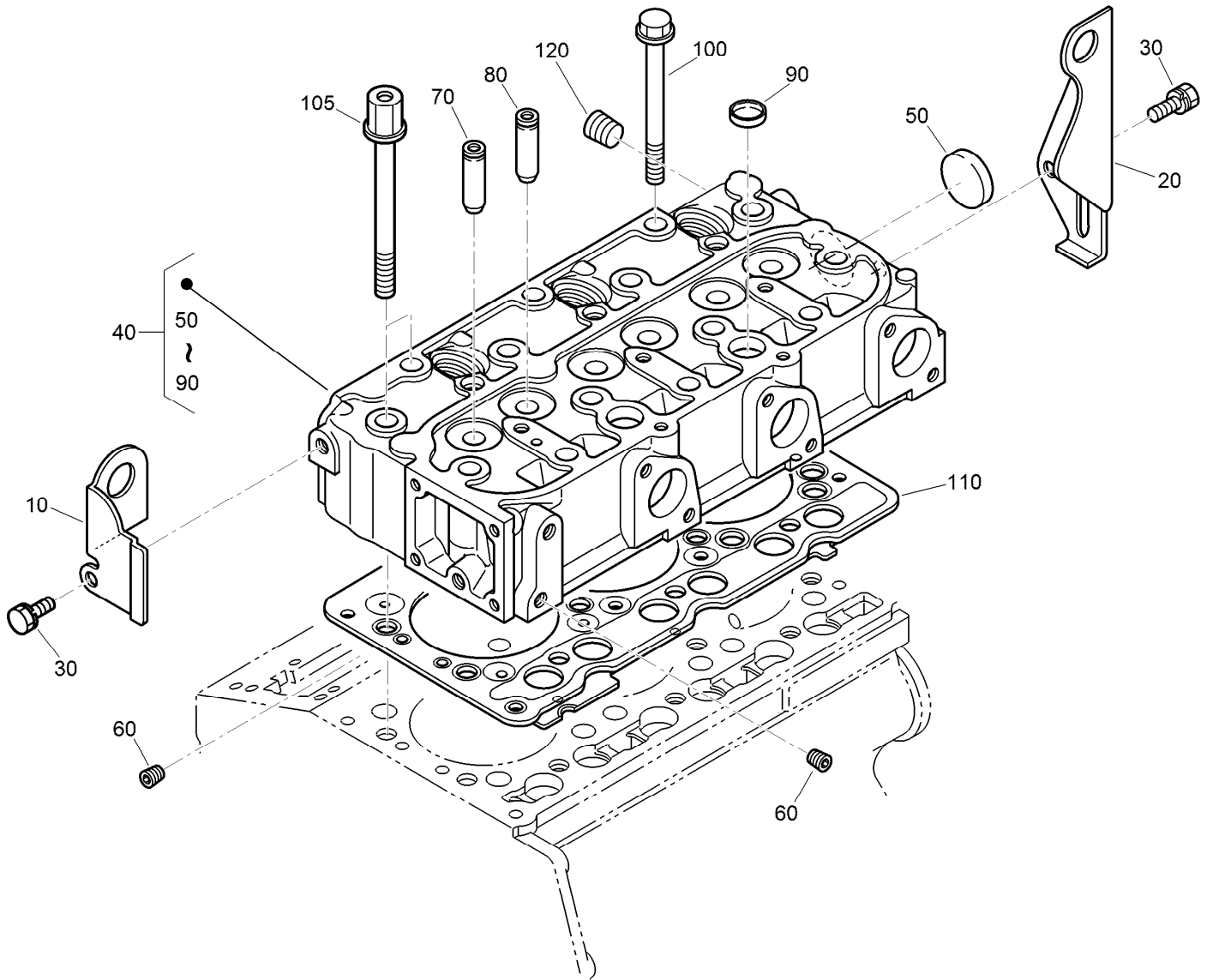
## Crankcase Assembly

<i>Ref.</i>	<i>Part Number</i>	<i>Qty.</i>	<i>Description</i>	<i>Ref.</i>	<i>Part Number</i>	<i>Qty.</i>	<i>Description</i>
10	115-3443	1	Crankcase ASM	130	98-9387	2	Pin-Pipe
20	98-9398	4	Cap-Sealing	140	98-9539	1	Pin-Pipe
30	98-7539	1	Cap-Sealing	150	98-9599	1	Plug
40	98-9687	3	Plug	160	98-9630	1	Pin-Spring, Start
50	105-3779	1	Plug	170	98-9675	1	Plug
60	98-9597	3	Plug	180	98-9656	1	Bushing-Governor, Gear
70	98-7487	2	Plug	190	120-2559	1	Plug
80	98-9379	3	Plug-Expansion	200	98-7428	1	Gasket
90	98-9668	1	Plug-Expansion	210	99-3447	1	Plug
100	98-9375	2	Pin-Straight	220	106-7056	1	Gasket
110	98-9377	2	Pin-Straight	230	98-9416	1	Switch-Oil
120	98-9376	2	Pin-Straight				



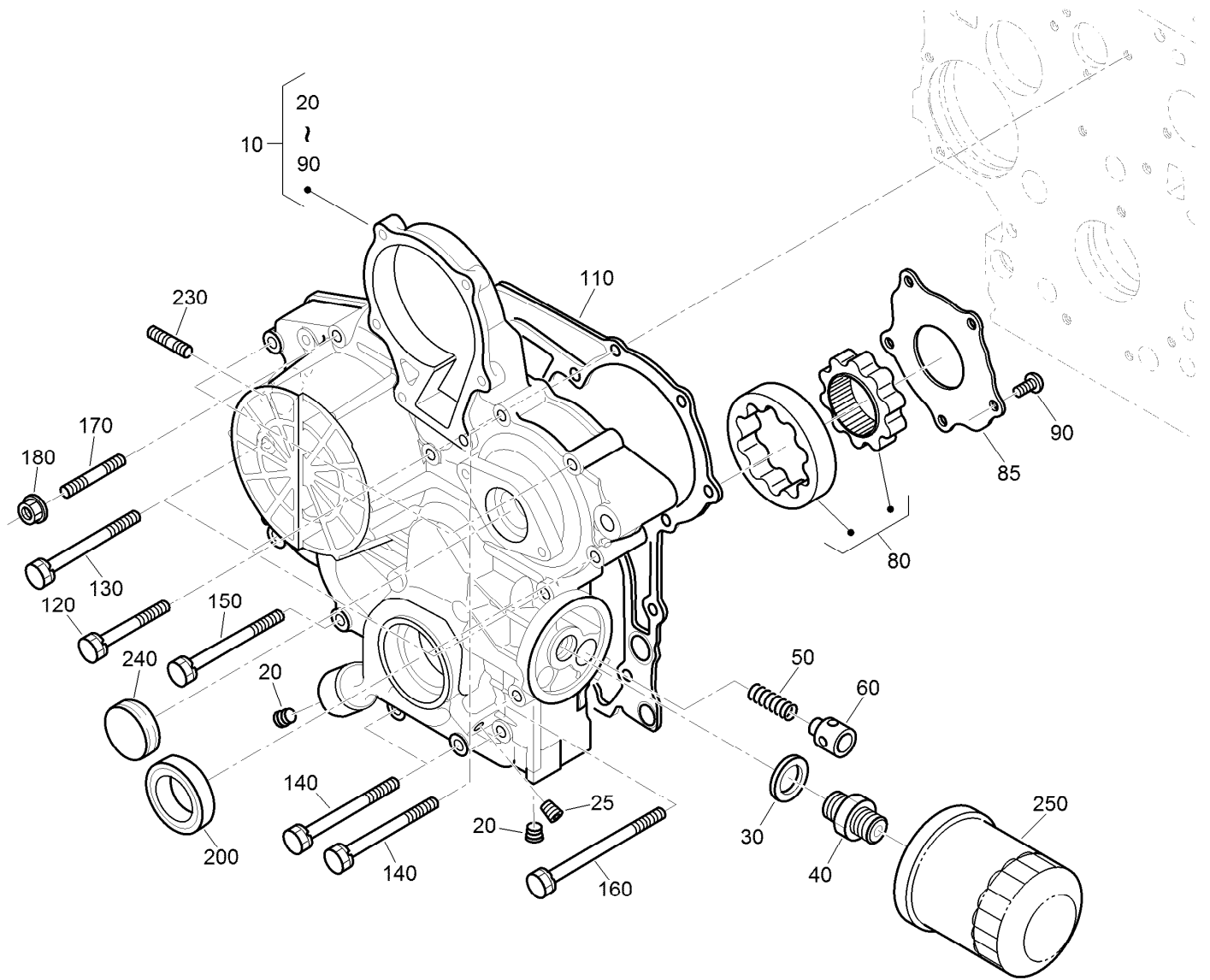
## Oil Pan and Dipstick Assembly

<i>Ref.</i>	<i>Part Number</i>	<i>Qty.</i>	<i>Description</i>
10	104-3495	1	PAN-Oil
30	98-9351	20	Bolt
35	98-9351	2	Bolt
40	114-8151	1	Plug-Drain
50	98-7524	1	Gasket
60	130-1292	1	Filter-Oil
70	98-7526	1	Bolt
80	105-3776	1	O-Ring
90	104-9348	1	Gauge-Oil
100	105-4580	1	Guide-Gauge, Oil
110	110-3720	1	Plug-Gauge, Oil



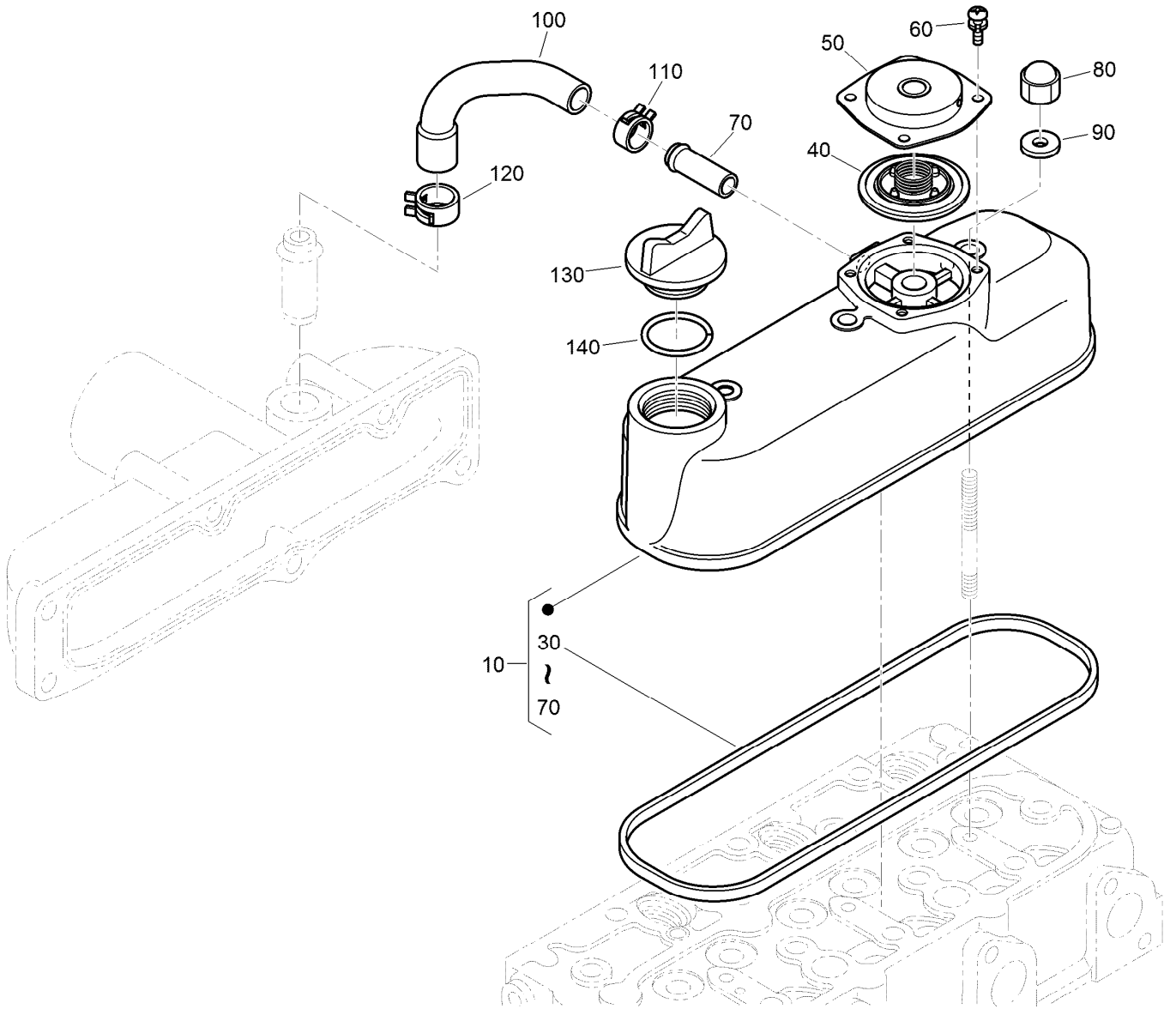
## Cylinder Head Assembly

Ref.	Part Number	Qty.	Description
10	130-1231	1	Hook-Engine
20	98-9478	1	Hook-Engine
30	100-9195	2	Bolt
40	130-1544	1	Cylinder Head ASM
50	105-3705	1	Cap-Sealing
60	98-9687	2	Plug
70	107-9066	3	Guide-Valve, Inlet
80	107-9067	3	Guide-Valve, Exhaust
90	98-9389	2	Cap-Sealing
100	98-9479	12	Bolt-Head, Cylinder
105	98-9647	2	Bolt-Head, Cylinder
110	108-6573	1	Gasket-Head, Cylinder
120	98-9444	1	Plug



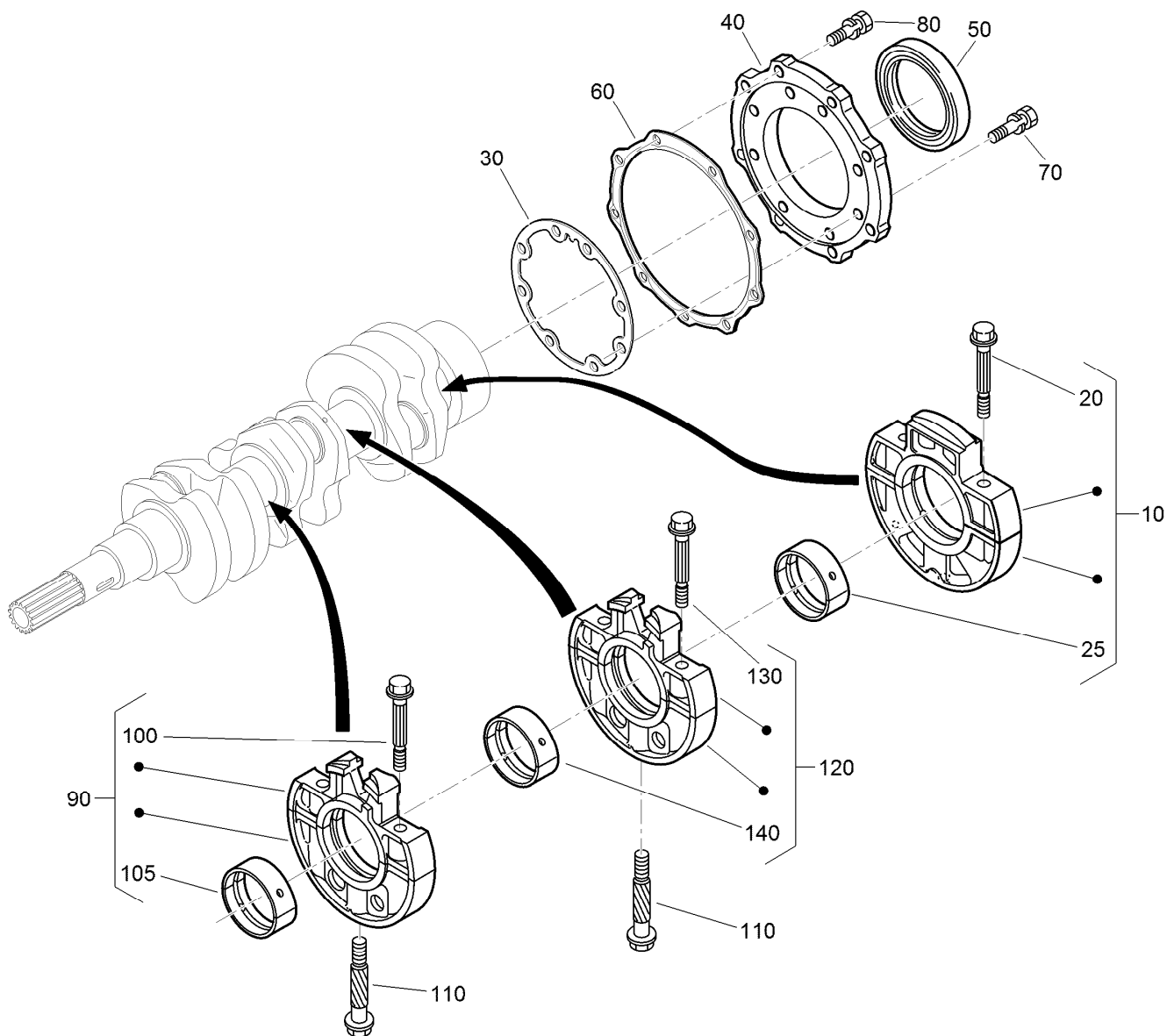
## Gear Case and Oil Filter Cartridge Assembly

Ref.	Part Number	Qty.	Description	Ref.	Part Number	Qty.	Description
10	115-4105	1	Gear Case ASM	120	100-1765	3	Bolt
20	127-0425	2	Plug	130	125-9063	4	Bolt-Sems
25	98-7487	1	Plug	140	98-9356	4	Bolt
30	98-7562	1	Washer-Plain	150	107-9074	1	Bolt
40	98-9388	1	Joint-Pipe	160	98-9586	1	Bolt
50	130-1511	1	Spring	170	105-3709	1	Stud
60	130-1510	1	Valve-Relief	180	100-2203	1	Nut-Flange
80	130-1508	1	Rotor ASM	200	119-8038	1	Seal-Oil
85	130-1509	1	Cover-Pump, Oil	230	105-3710	2	Stud
90	130-1164	5	Screw-Binding	240	99-3515	1	Plug-Gearcase
110	98-9633	1	Gasket-Case, Gear	250	127-0511	1	Filter-Oil



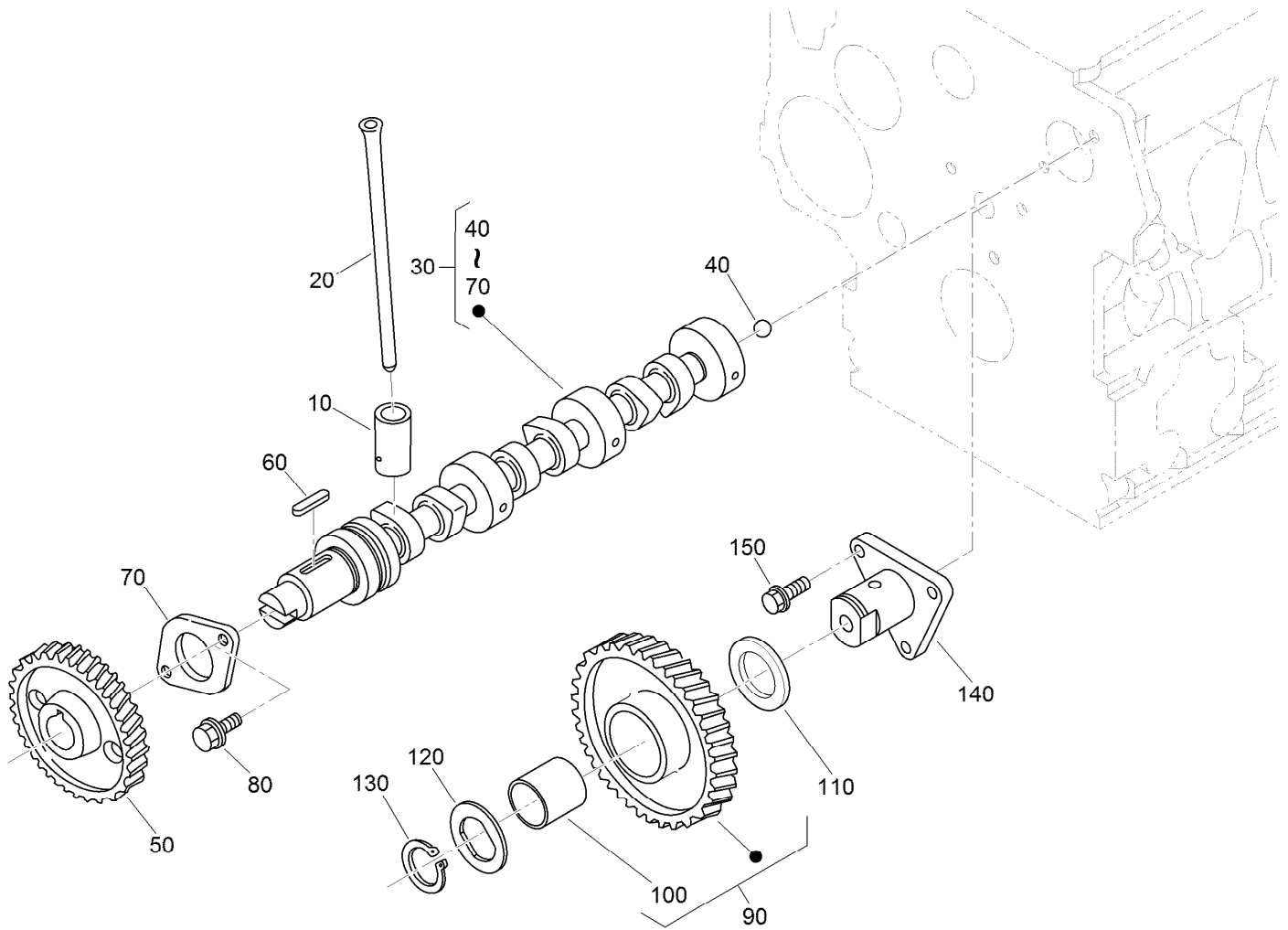
## Cylinder Head Cover Assembly

<i>Ref.</i>	<i>Part Number</i>	<i>Qty.</i>	<i>Description</i>
10	130-1372	1	Cylinder Head Cover ASM
30	98-9615	1	Gasket-Cover, Head
40	110-3715	1	Valve-Breather
50	110-3714	1	Cover-Breather
60	98-9364	4	Screw (With Washer)
70	98-7766	1	Pipe-Return, Water
80	98-9455	3	Nut-Cap
90	98-9454	3	Gasket
100	108-2858	1	Tube-Breather
110	108-2859	1	Clamp-Hose
120	108-2860	1	Clamp-Hose
130	107-9075	1	Plug-Filler, Oil
140	99-3446	1	O-Ring



## Main Bearing Case Assembly

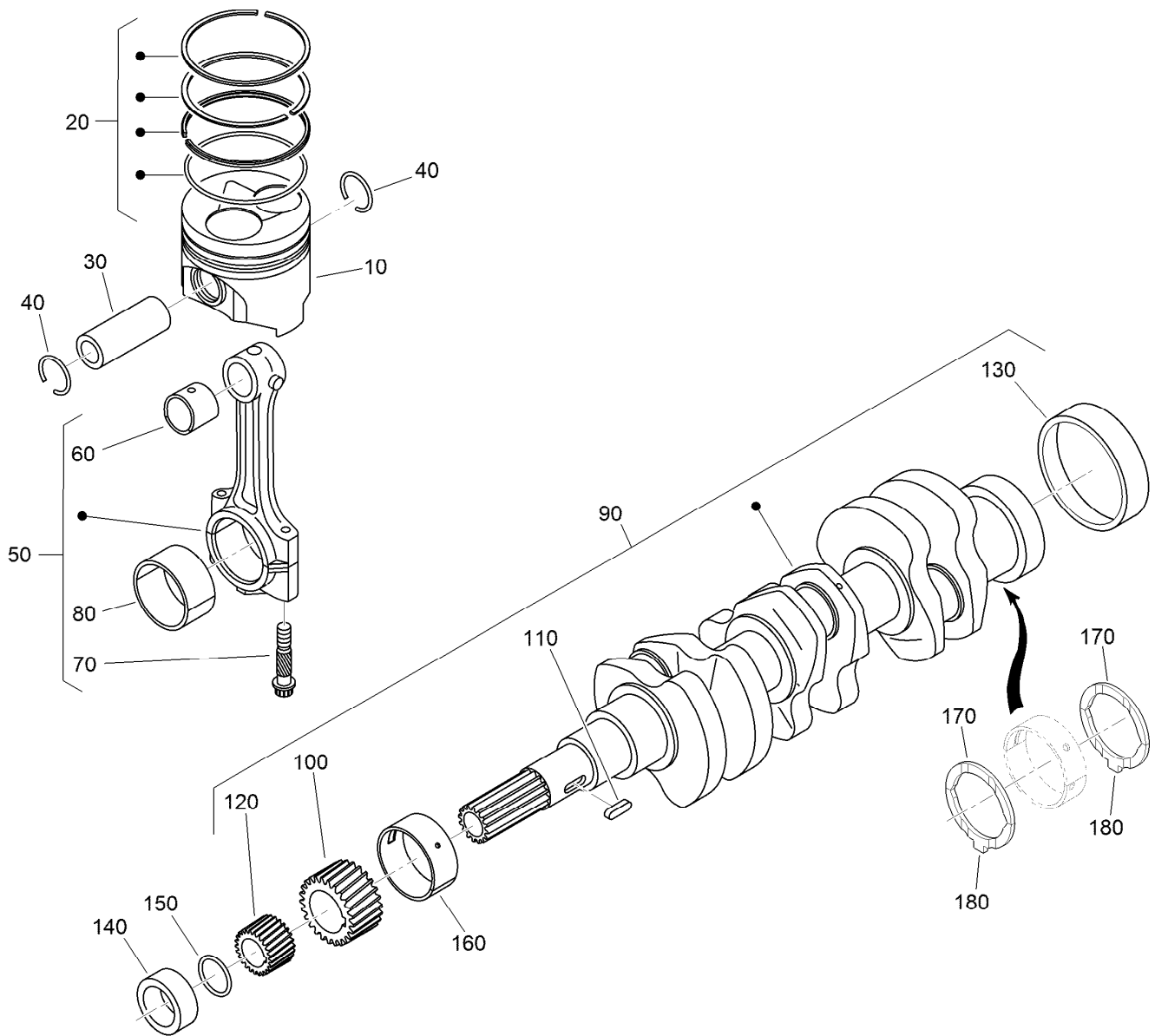
Ref.	Part Number	Qty.	Description	Ref.	Part Number	Qty.	Description
10	112-7026	1	Wheel Bearing Case ASM	90	115-4106	1	Main Bearing Case ASM
20	98-9484	2	Bolt-Case, Bearing	100	98-9484	2	Bolt-Case, Bearing
25	115-4121	1	Metal-Crankshaft (STD)	105	98-9524	1	Metal-Crankshaft (STD Set)
25	112-7039	1	Metal-Crankshaft (0.2Mm)	105	127-0433	1	Metal-Crankshaft (-0.2Mm)
25	112-7040	1	Metal-Crankshaft (-0.4Mm)	105	98-9531	1	Bearing-Main (0.4Mm)
30	127-0440	1	Gasket-Case, Bearing	110	98-9485	2	Bolt-Case, Bearing
40	112-7046	1	Cover-Case, Bearing	120	115-4107	1	Main Bearing Case ASM
50	112-0180	1	Seal-Oil	130	98-9484	2	Bolt-Case, Bearing
60	112-7037	1	Gasket-Cover, Case	140	98-9524	1	Metal-Crankshaft (STD Set)
70	127-0441	8	Bolt	140	127-0433	1	Metal-Crankshaft (-0.2Mm)
80	127-0442	9	Bolt	140	98-9531	1	Bearing-Main (0.4Mm)



## Camshaft and Idle Gear Shaft Assembly

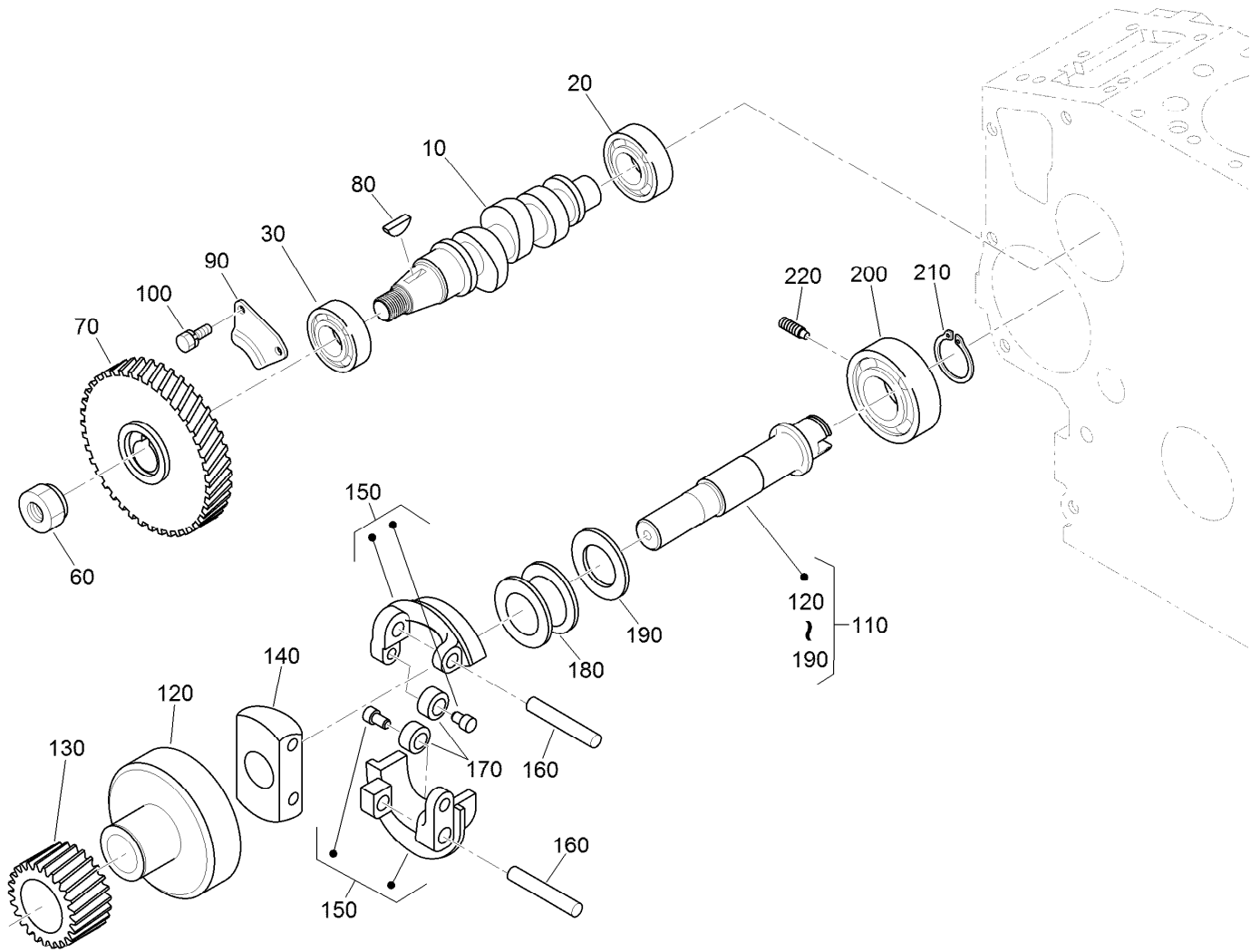
Ref.	Part Number	Qty.	Description
10	112-0185	6	Tappet
20	127-0421	6	Rod-Push
30	130-1545	1	Camshaft ASM
40	110-3729	1	Ball
50	98-9512	1	Gear-Cam
60	98-9378	1	Key-Feather
70	98-9510	1	Stopper-Camshaft
80	98-7692	2	Bolt
90	117-7584	1	Idler Gear ASM
100	117-7585	1	Bushing-Gear, Idle
110	98-9535	1	Collar-Gear, Idle
120	98-9536	1	Collar-Gear, Idle
130	98-9534	1	Circlip-Gear, Idle
140	98-9533	1	Shaft-Gear, Idle
150	98-7692	3	Bolt





## Piston and Crankshaft Assembly

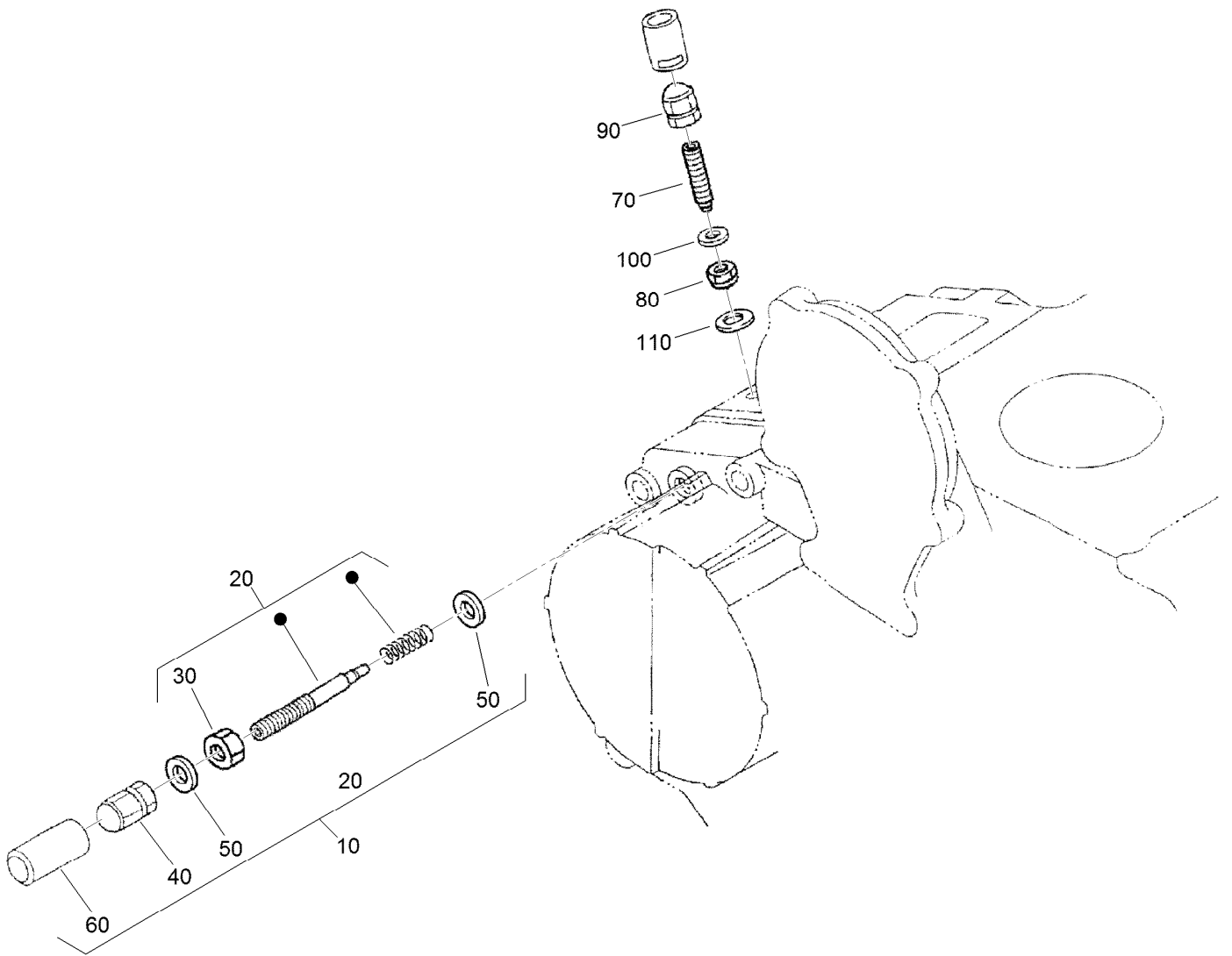
<i>Ref.</i>	<i>Part Number</i>	<i>Qty.</i>	<i>Description</i>	<i>Ref.</i>	<i>Part Number</i>	<i>Qty.</i>	<i>Description</i>
10	130-1546	3	Piston (STD)	110	98-9666	1	Key
10	130-1549	3	Piston (+0.50Mm)	120	127-0445	1	Gear-Drive, Oil Pump
20	130-1506	3	Piston Ring ASM (STD)	130	98-9522	1	Sleeve-Crankshaft
20	130-1507	3	Piston Ring ASM (+0.50Mm)	140	127-0444	1	Collar-Crankshaft
30	98-9513	3	Pin-Piston	150	105-3783	1	O-Ring
40	98-9514	6	Circlip-Pin, Piston	160	112-7005	1	Bearing-Main (STD)
50	117-7586	3	Connecting Rod ASM	160	98-9528	1	Bearing-Main (-0.2Mm)
60	115-3014	3	Bushing-Pin, Piston	160	130-1274	1	Metal-Crankshaft (-0.40Mm)
70	98-9517	6	Bolt-Rod, Connecting	170	98-9413	2	Bearing-Thrust (STD)
80	98-9553	3	Bearing-Rod (STD)	170	127-0416	2	Metal-Side (+0.2Mm)
80	98-9519	3	Bearing-Rod (-0.2Mm)	170	127-0417	2	Metal-Side (+0.40Mm)
80	117-7588	3	Metal-Crankpin (-0.4Mm)	180	98-9688	2	Bearing-Thrust (STD)
90	130-1375	1	Crankshaft ASM	180	127-0437	2	Metal-Side (+0.2Mm)
100	117-7561	1	Gear-Crankshaft	180	127-0438	2	Metal-Side (+0.40Mm)



## Fuel Camshaft and Governor Shaft Assembly

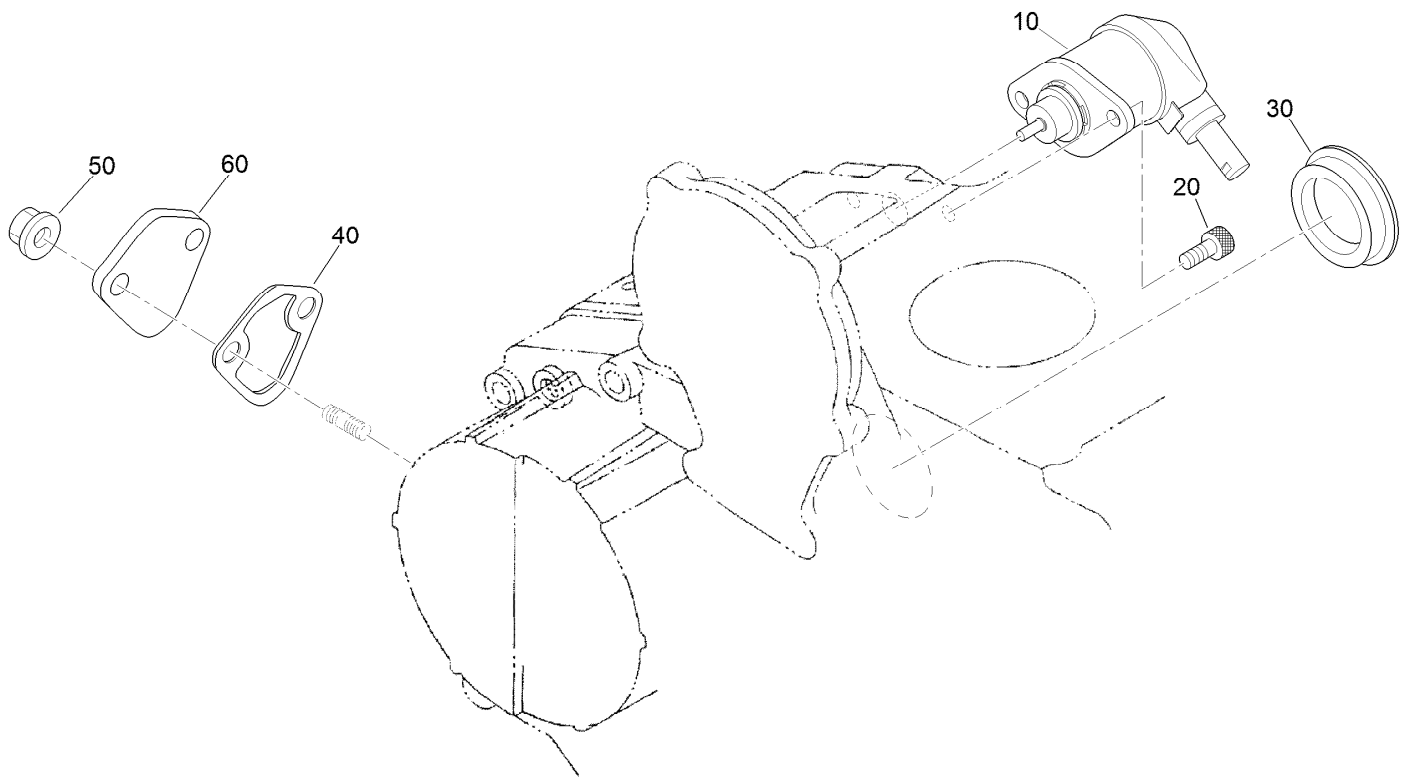
Ref.	Part Number	Qty.	Description
10	98-9459	1	Camshaft-Fuel
20	107-9077	1	Bearing-Ball
30	107-9078	1	Bearing-Ball
60	130-1512	1	Nut
70	120-2562	1	Gear-Pump, Injection
80	98-9595	1	Key-Woodruff
90	98-9511	1	Stopper-Fuel, Camshaft
100	98-7692	2	Bolt
110	130-1255	1	Governor Shaft ASM
120	98-9562	1	Holder-Gear, Governor

Ref.	Part Number	Qty.	Description
130	98-9673	1	Gear-Governor
140	98-9561	1	Holder-Weight, Governor
150	130-1240	2	Governor Weight ASM
160	98-9560	2	Shaft-Weight, Governor
170	98-9692	2	Roller
180	98-9563	1	Sleeve-Governor
190	98-9564	1	Washer-Thrust
200	107-9079	1	Bearing-Ball
210	98-9657	1	Circlip-Shaft, Governor
220	98-9565	1	Screw-Set



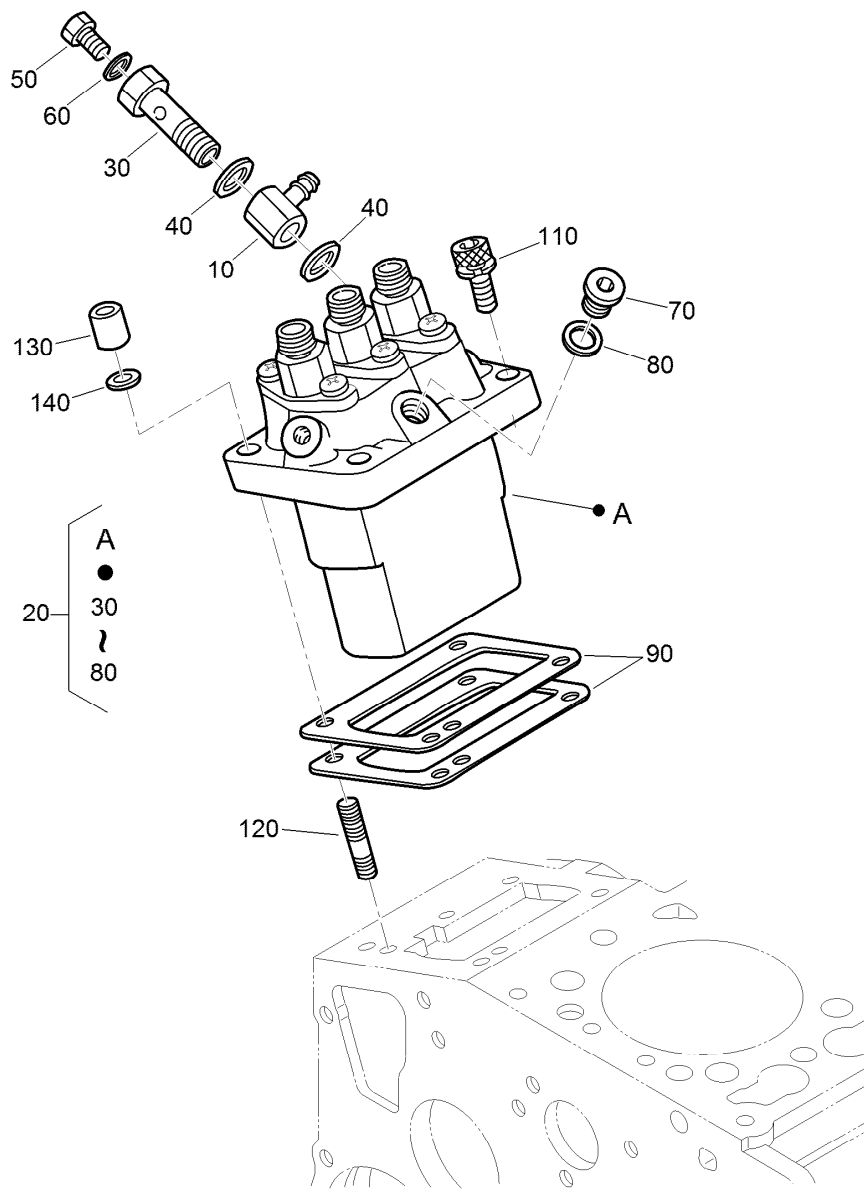
## Idle Apparatus Assembly

<i>Ref.</i>	<i>Part Number</i>	<i>Qty.</i>	<i>Description</i>
10	98-9678	1	Idle Apparatus ASM
20	112-7014	1	Adjusting Bolt ASM
30	98-9439	1	Nut
40	112-0181	1	Nut
50	98-7654	2	Gasket
60	98-7656	1	Cap
70	112-7015	1	Bolt-Adjusting
80	100-2175	1	Nut-Lock
90	112-0181	1	Nut
100	98-7654	1	Gasket
110	107-9081	1	Gasket



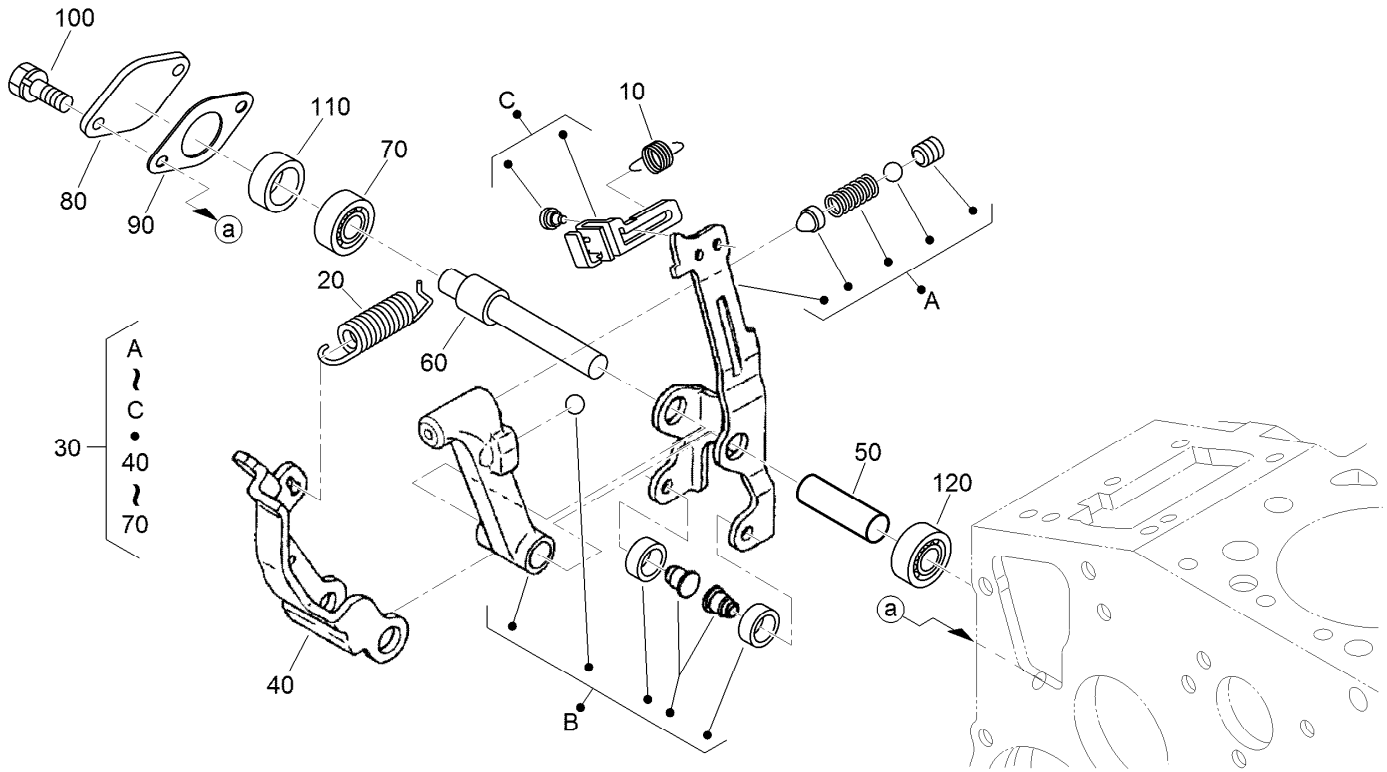
## Stop Solenoid and Fuel Pump Cover Assembly

<i>Ref.</i>	<i>Part Number</i>	<i>Qty.</i>	<i>Description</i>
10	104-5155	1	Solenoid-Stop
20	130-1155	2	Screw-HSH
30	99-3514	1	Cover
40	117-7562	1	Gasket-Pump, Fuel
50	100-2203	2	Nut-Flange
60	112-7016	1	Cover-Pump



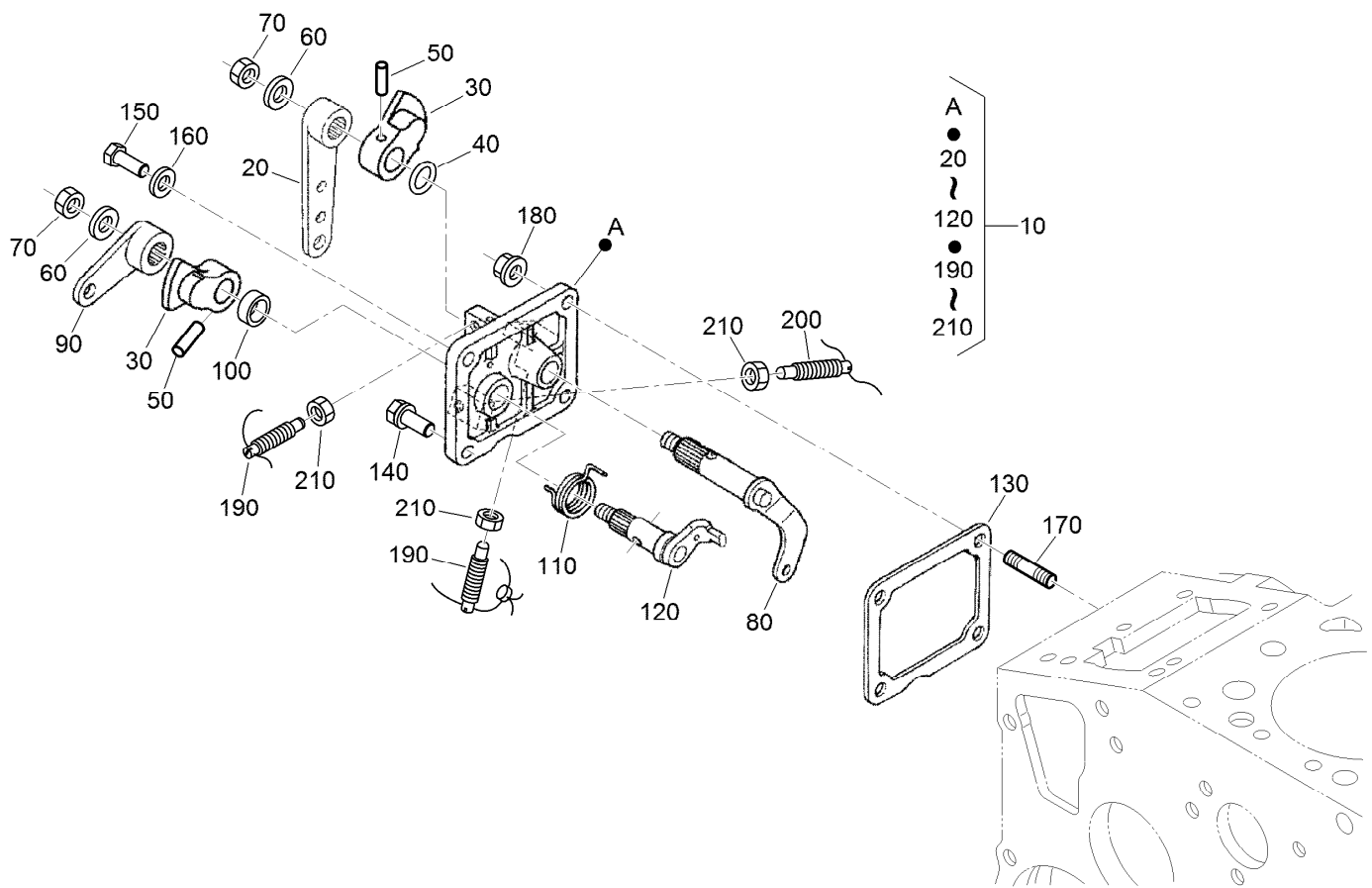
## Injection Pump Assembly

<i>Ref.</i>	<i>Part Number</i>	<i>Qty.</i>	<i>Description</i>	<i>Ref.</i>	<i>Part Number</i>	<i>Qty.</i>	<i>Description</i>
10	98-9596	1	Joint-Eye	90	98-9457	1	Shim-Injection (0.25Mm)
20	98-9643	1	Injection Pump ASM	90	98-9458	1	Shim-Injection (0.30Mm)
30	98-9464	1	Bolt-Joint	90	115-3046	1	Shim-Injection (0.35Mm)
40	98-9445	2	Gasket	90	115-3045	1	Shim-Injection (0.175Mm)
50	98-9430	1	Screw	110	117-7564	2	Bolt-Hex Soc HD
60	98-9446	1	Gasket	120	98-9438	2	Stud
70	98-9466	1	Plug	130	98-9440	2	Nut-Cap
80	98-9451	1	Gasket	140	98-7699	2	Washer-Spring
90	98-9456	1	Shim-Injection (0.20Mm)				



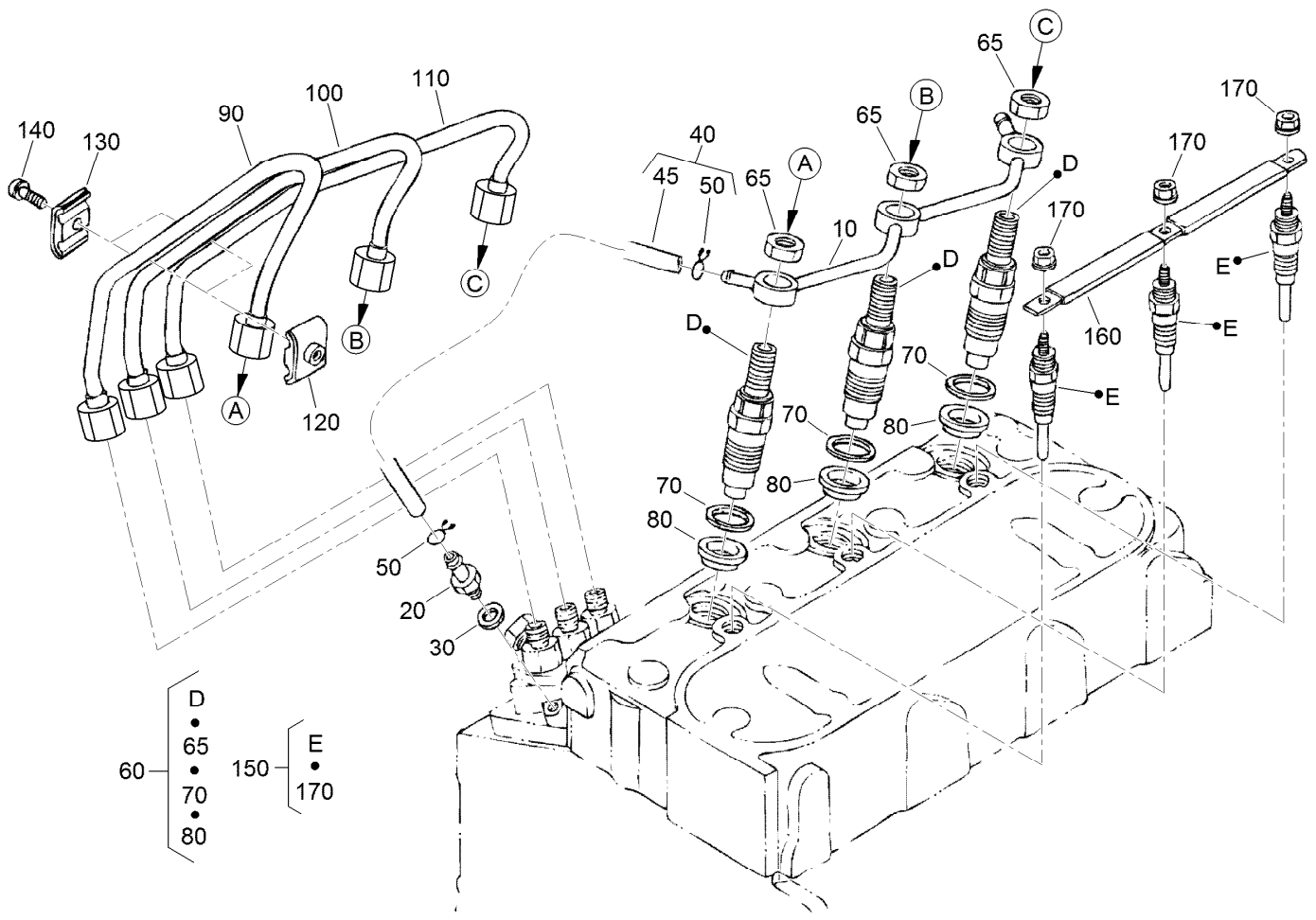
## Governor Assembly

Ref.	Part Number	Qty.	Description
10	105-3786	1	Spring-Start
20	98-9681	1	Spring-Governor
30	115-4502	1	Fork Lever ASM
40	107-9084	1	Lever-Fork
50	107-9085	1	Shaft-Lever, Fork
60	107-9086	1	Shaft-Lever, Fork
70	98-9570	1	Bearing-Miniaturize
80	115-4122	1	Cover-Shaft, Fork Lever
90	98-9682	1	Gasket
100	98-9350	2	Bolt
110	98-9567	1	Collar
120	98-9571	1	Bearing-Miniaturize



## Speed Control Plate Assembly

Ref.	Part Number	Qty.	Description	Ref.	Part Number	Qty.	Description
10	105-3735	1	Control Plate ASM	120	98-9664	1	Shaft-Lever, Stop
20	98-9662	1	Lever-Control, Speed	130	98-9637	1	Gasket
30	98-9572	2	Lever-Control, Speed	140	98-7692	1	Bolt
40	105-3788	1	O-Ring	150	127-0401	1	Bolt-Hex
50	98-7602	2	Pin-Spring	160	98-7654	1	Gasket
60	98-9594	2	Washer-Plain	170	105-3710	2	Stud
70	98-9589	2	Nut	180	100-2203	2	Nut-Flange
80	98-9658	1	Governor Lever ASM	190	117-7565	2	Bolt-Adjusting
90	98-9663	1	Lever-Stop, Engine	200	117-7566	1	Bolt-Adjusting
100	98-7601	1	Seal-Oil	210	98-7572	3	Nut
110	98-9472	1	Spring-Return				



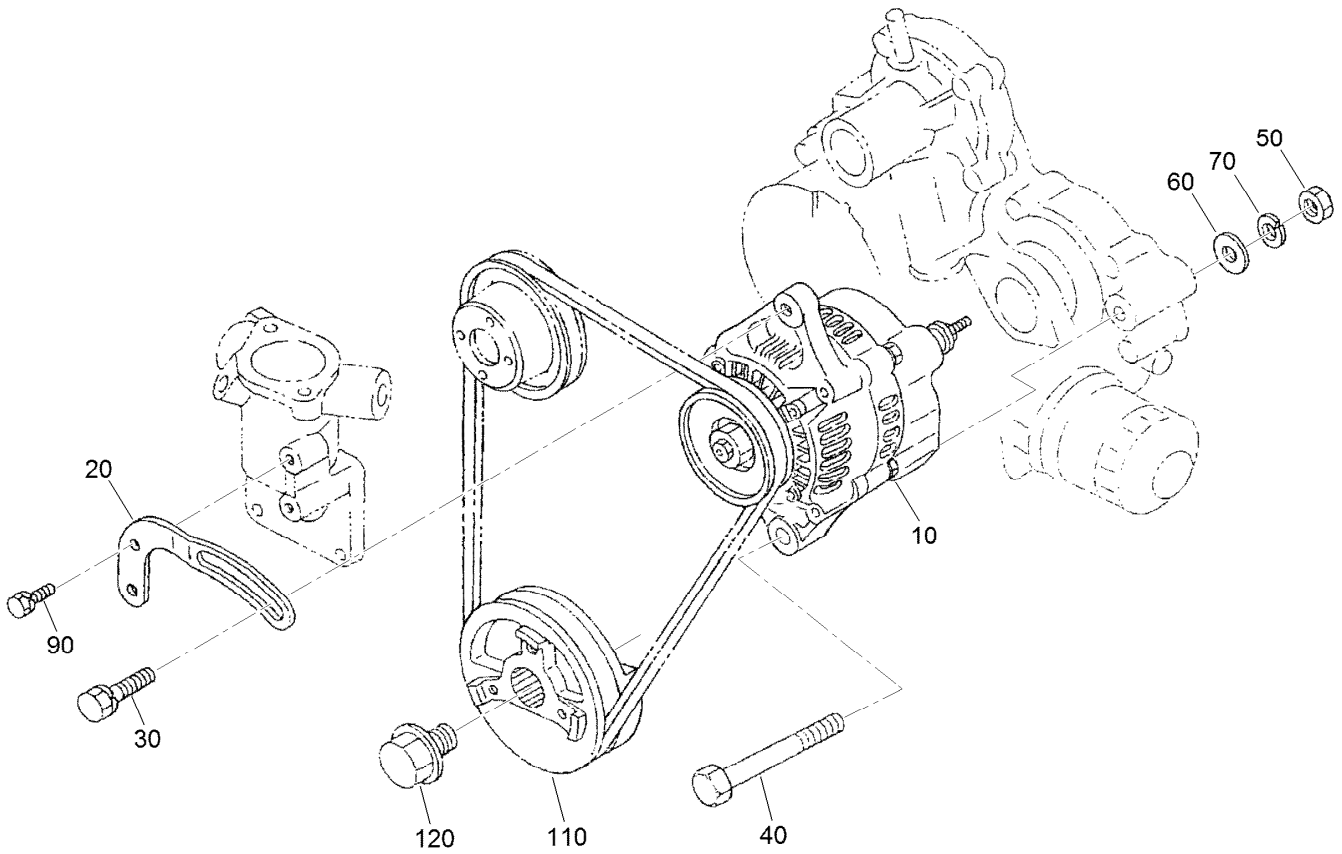
## Nozzle Holder and Glow Plug Assembly

<i>Ref.</i>	<i>Part Number</i>	<i>Qty.</i>	<i>Description</i>
10	98-9620	1	Overflow Pipe ASM
20	98-9431	1	Screw-Bleeder, Air
30	98-7654	1	Gasket
40	98-9420	1	Overflow Pipe ASM
45	112-0182	1	Pipe-Overflow
50	98-7671	2	Clip-Pipe
60	115-3018	3	Nozzle Holder Kit
65	121-2411	3	Nut
70	98-7676	3	Gasket
80	98-7677	3	Seal-Heat

<i>Ref.</i>	<i>Part Number</i>	<i>Qty.</i>	<i>Description</i>
90	98-9653	1	Pipe-Injection
100	98-9654	1	Pipe-Injection
110	98-9655	1	Pipe-Injection
120	98-7682	2	Clamp-Pipe
130	98-7683	2	Clamp-Pipe
140	98-7684	2	Screw (W/Washer)
150	130-1411	3	Plug-Glow
160	98-9631	1	Cord-Plug, Glow
170	99-8377	3	Nut-Flange

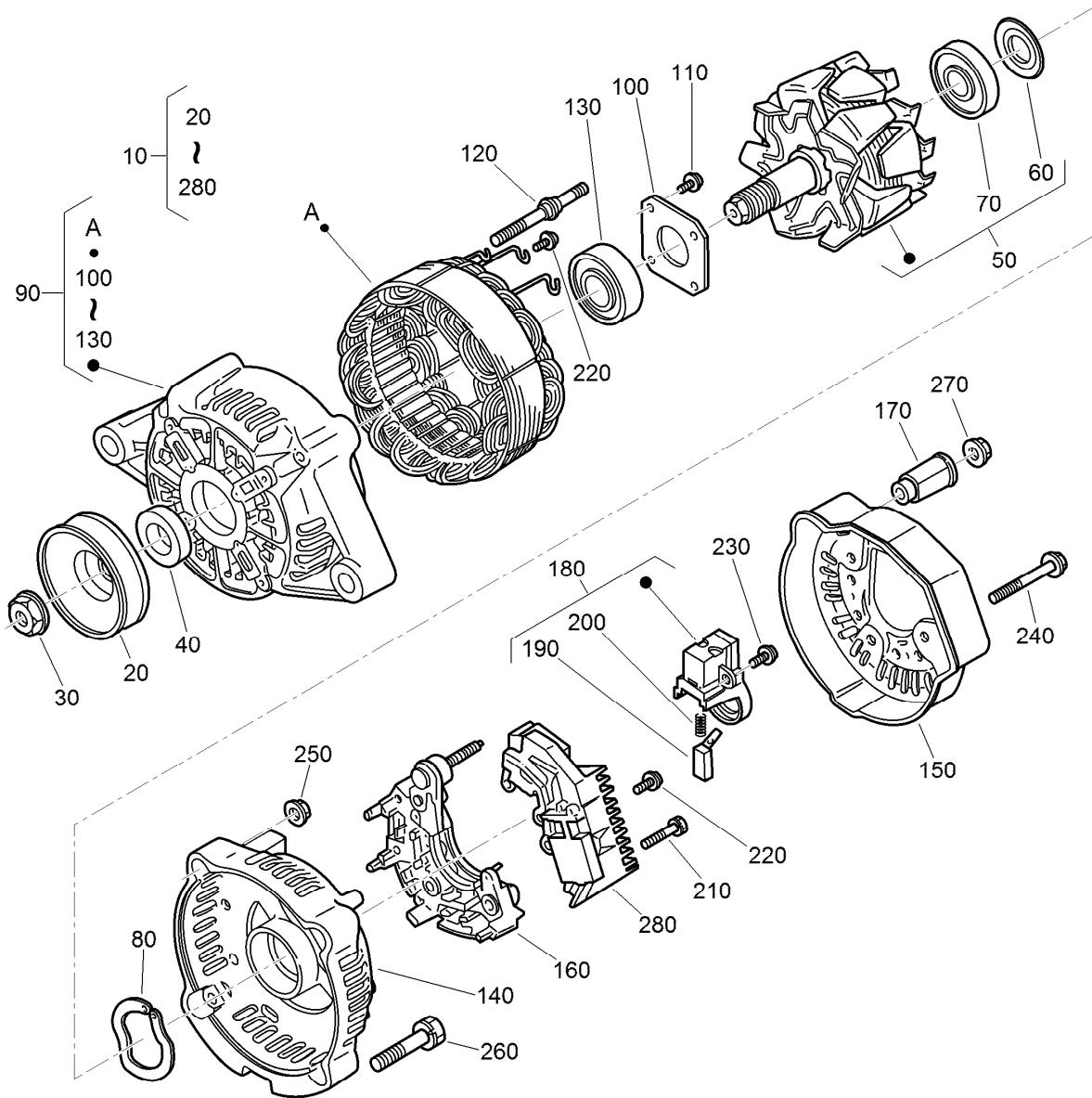






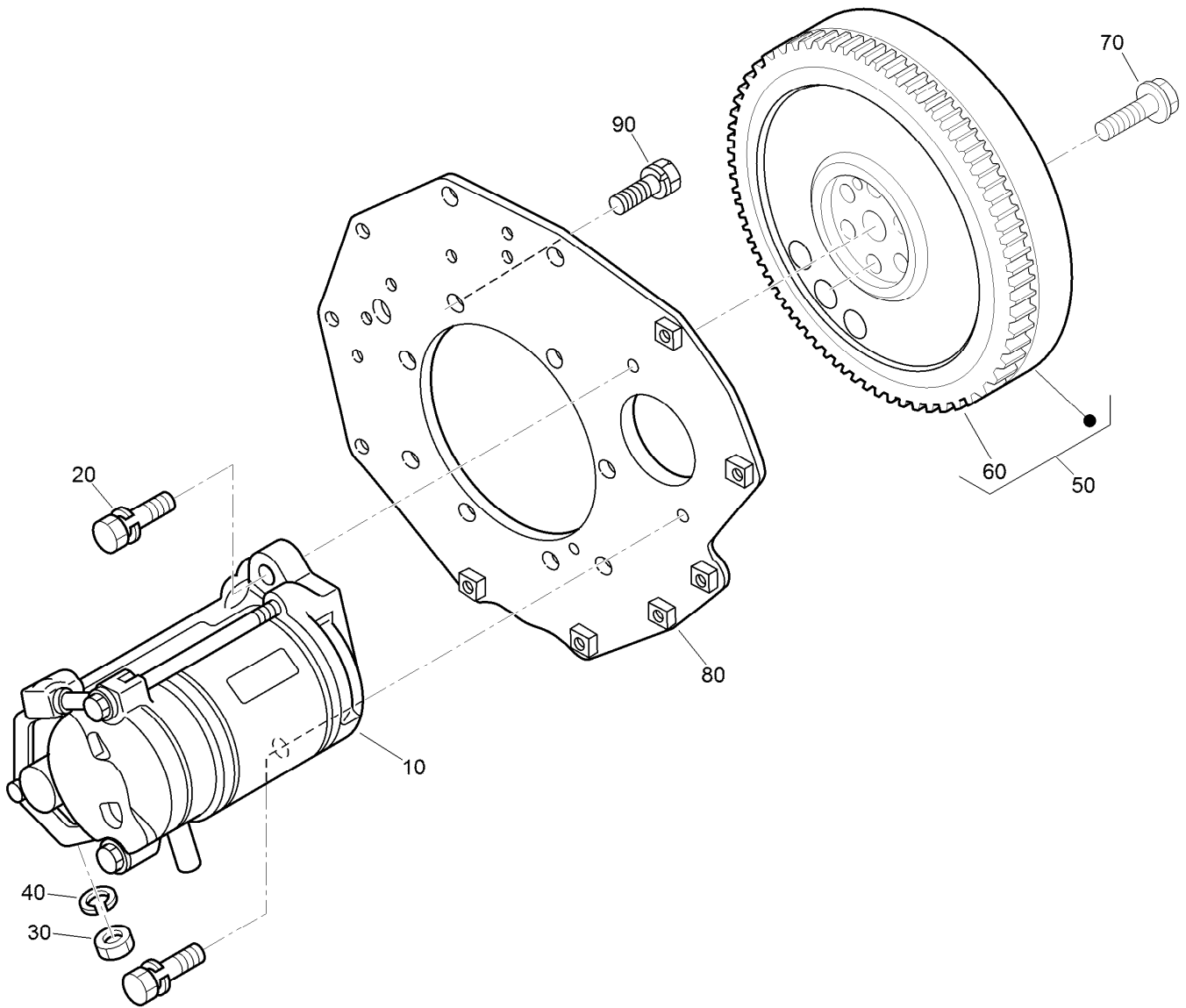
## Alternator and Pulley Assembly

Ref.	Part Number	Qty.	Description
10	98-9474	1	Alternator ASM
20	112-7047	1	Stay-Dynamo
30	108-7088	1	Bolt
40	98-9360	1	Bolt
50	98-7737	1	Nut
60	98-9366	1	Washer-Plain
70	98-7738	1	Washer-Spring
90	98-7692	1	Bolt
110	98-9473	1	Pulley-Drive, Fan
120	98-9585	1	Bolt



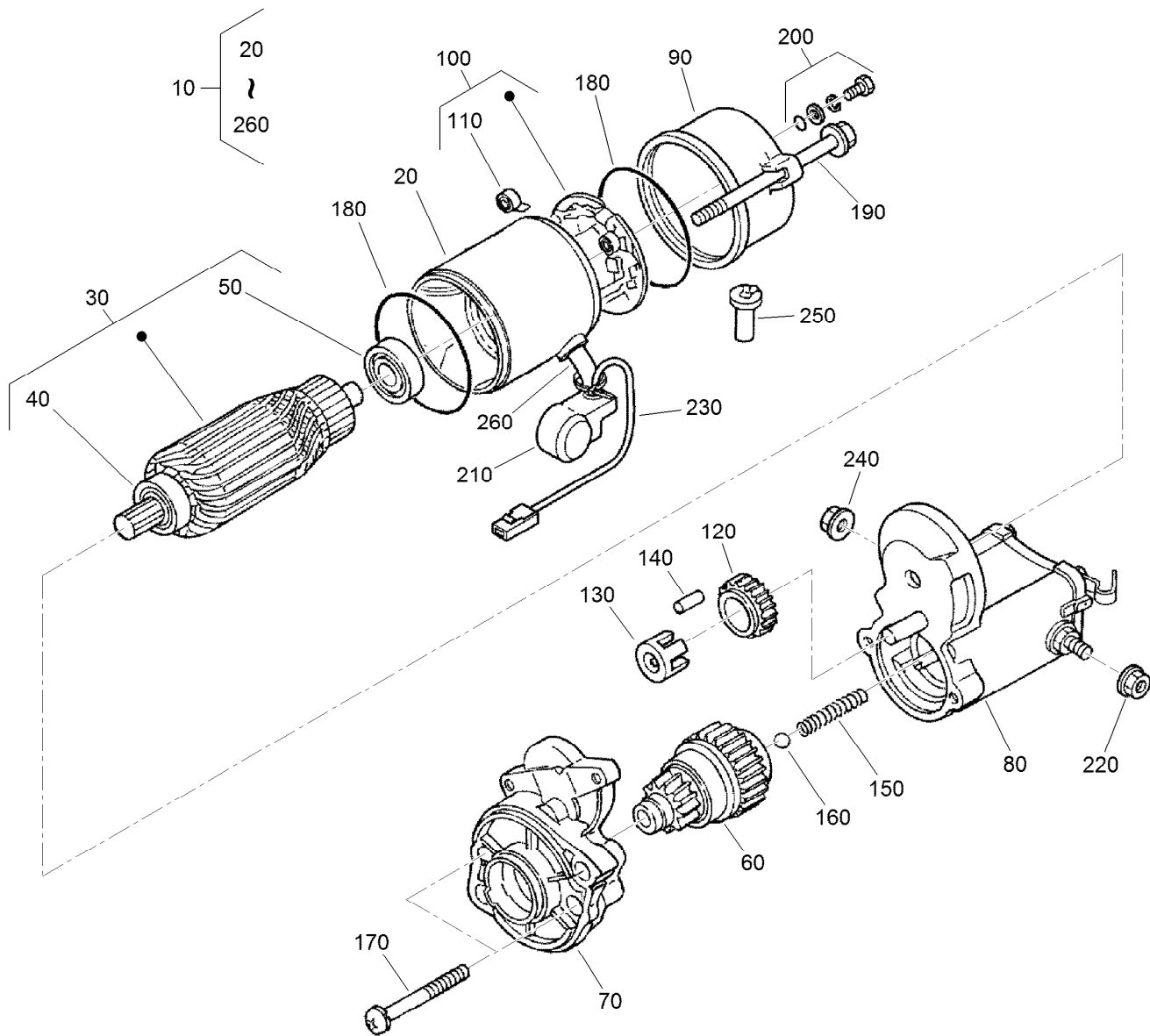
## Alternator Components Assembly

Ref.	Part Number	Qty.	Description	Ref.	Part Number	Qty.	Description
10	98-9474	1	Alternator ASM	150	107-0140	1	Cover-End
20	98-9453	1	Pulley-Dynamo	160	127-1612	1	Rectifier ASM
30	98-7708	1	Nut	170	98-7722	1	Bushing-Insulation
40	98-7709	1	Collar	180	107-0141	1	Brush Holder ASM
50	107-0136	1	Rotor ASM	190	98-7724	2	Brush
60	98-7711	1	Cover-Bearing	200	98-7725	2	Spring-Brush
70	107-0138	1	Bearing-Ball	210	98-7726	2	Screw-Head, Round
80	98-7713	1	Washer-Thrust	220	98-7727	6	Screw-Head, Round
90	107-0139	1	Drive End Frame ASM	230	98-7728	1	Screw-Head, Round
100	98-7715	1	Plate-Retainer	240	98-7729	3	Bolt
110	98-7716	4	Screw-Head, Round	250	98-7730	2	Nut
120	98-7717	2	Bolt-Through	260	98-7731	2	Bolt
130	107-0137	1	Bearing-Ball	270	98-7732	1	Nut
140	107-9087	1	Frame-End	280	110-3799	1	Regulator ASM



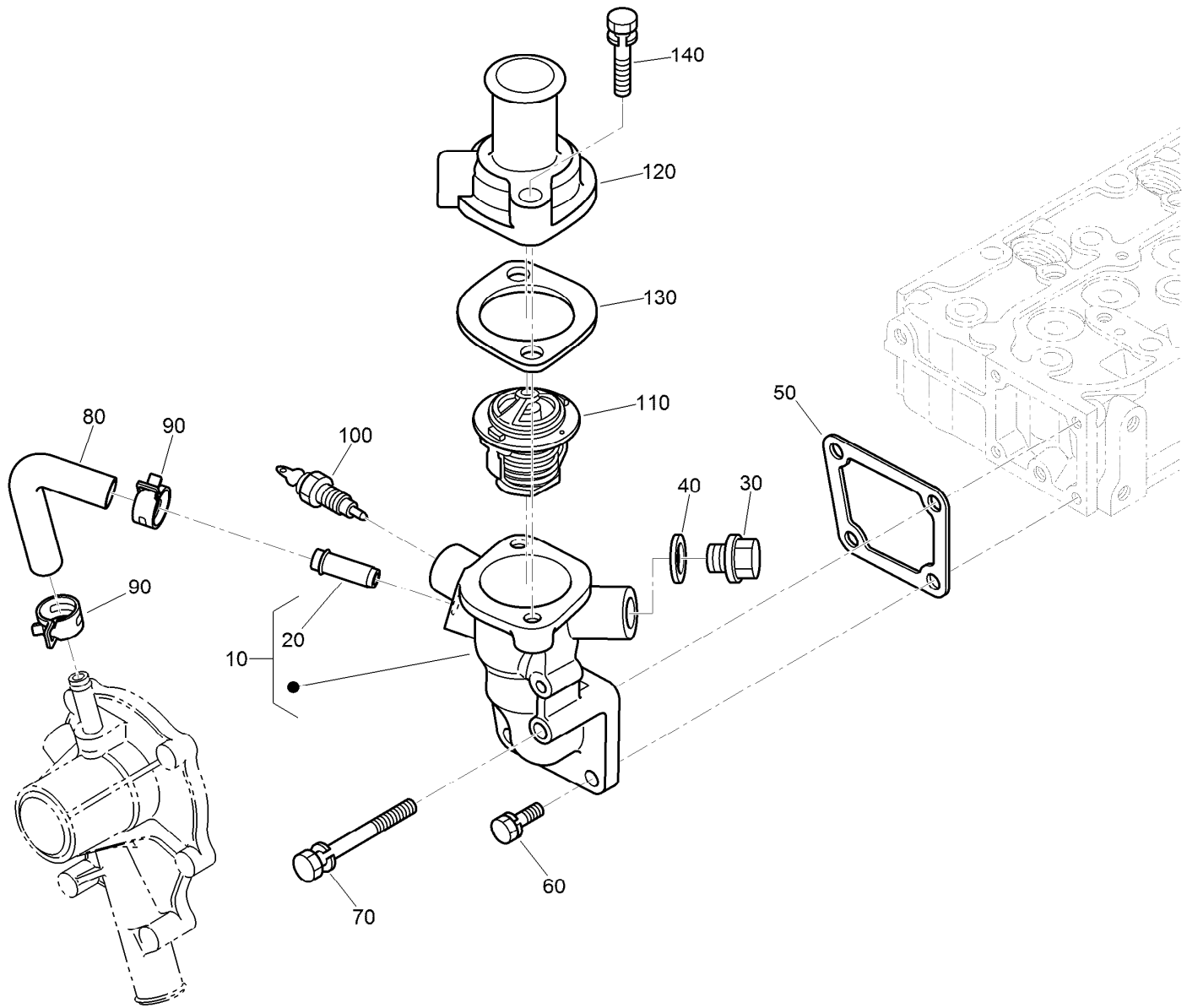
## Starter and Flywheel Assembly

Ref.	Part Number	Qty.	Description
10	98-9705	1	Starter ASM
20	98-7697	2	Bolt
30	98-7739	1	Nut
40	105-2893	1	Washer-Spring
50	105-3784	1	Flywheel ASM
60	115-3015	1	Gear-Ring
70	98-9537	6	Bolt-Flywheel
80	98-9486	1	Plate-End, Rear
90	98-9392	8	Bolt



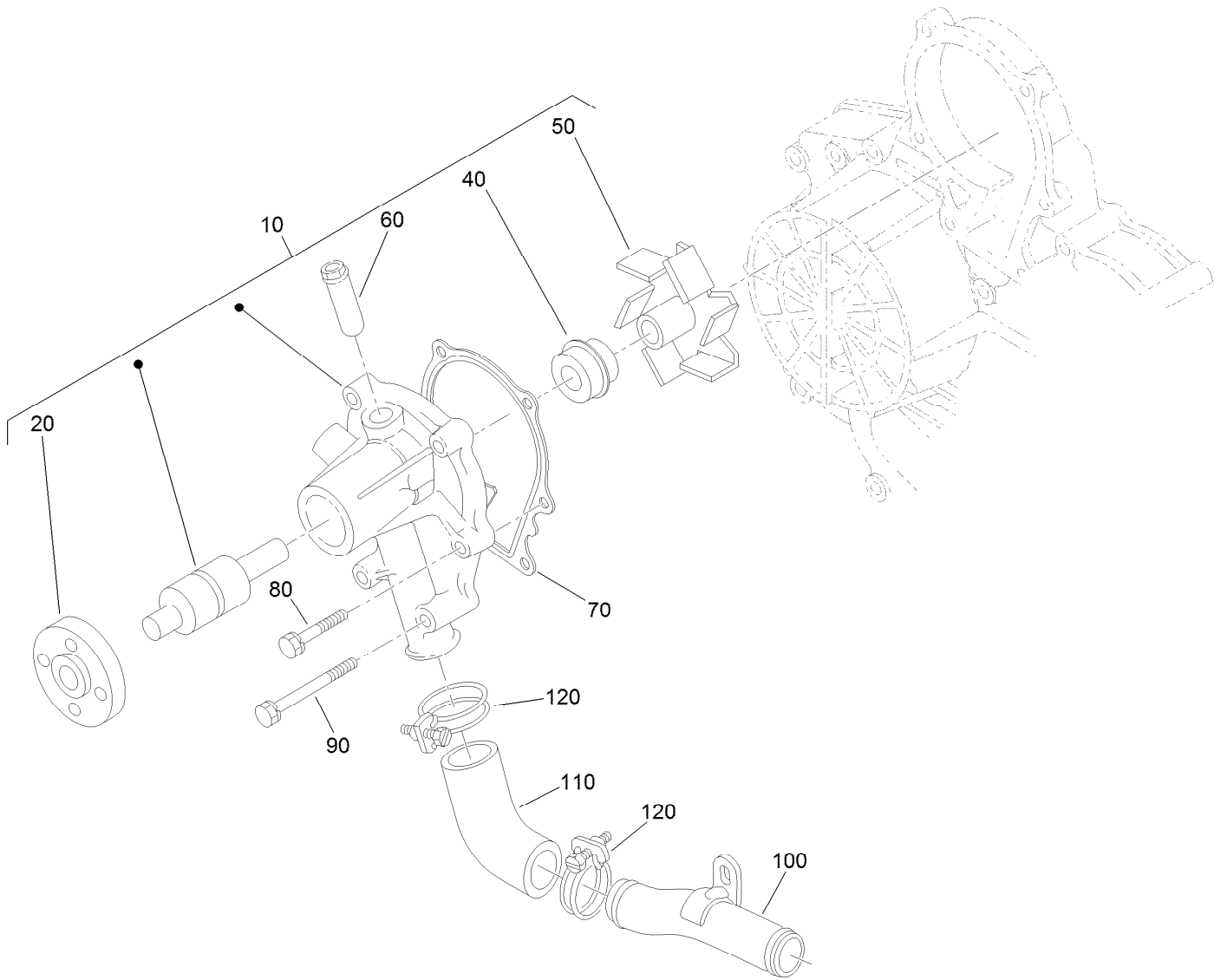
## Starter Component Assembly

<i>Ref.</i>	<i>Part Number</i>	<i>Qty.</i>	<i>Description</i>	<i>Ref.</i>	<i>Part Number</i>	<i>Qty.</i>	<i>Description</i>
10	98-9705	1	Starter ASM	140	98-7753	5	Roller
20	104-8608	1	Yoke ASM	150	98-7754	1	Spring
30	98-7742	1	Armature ASM	160	98-7755	1	Ball
40	98-7744	1	Bearing	170	98-7756	2	Bolt
50	98-7743	1	Bearing	180	98-7757	2	O-Ring
60	99-8373	1	Clutch-Running, Over	190	100-9240	2	Bolt
70	99-8374	1	Frame-End, Drive	200	98-7758	2	Bolt ASM
80	105-3746	1	Magnetic Switch ASM	210	99-8375	1	Cover
90	98-7748	1	Frame-End	220	99-8371	1	Nut-Hex
100	98-7749	1	Brush Holder ASM	230	98-9711	1	Cord-Solenoid, Stop
110	98-7750	4	Spring-Brush	240	99-8376	1	Nut-Hex
120	98-7751	1	Gear	250	98-7759	1	Pipe-Drain
130	98-7752	1	Retainer	260	98-9712	1	Band-Cover



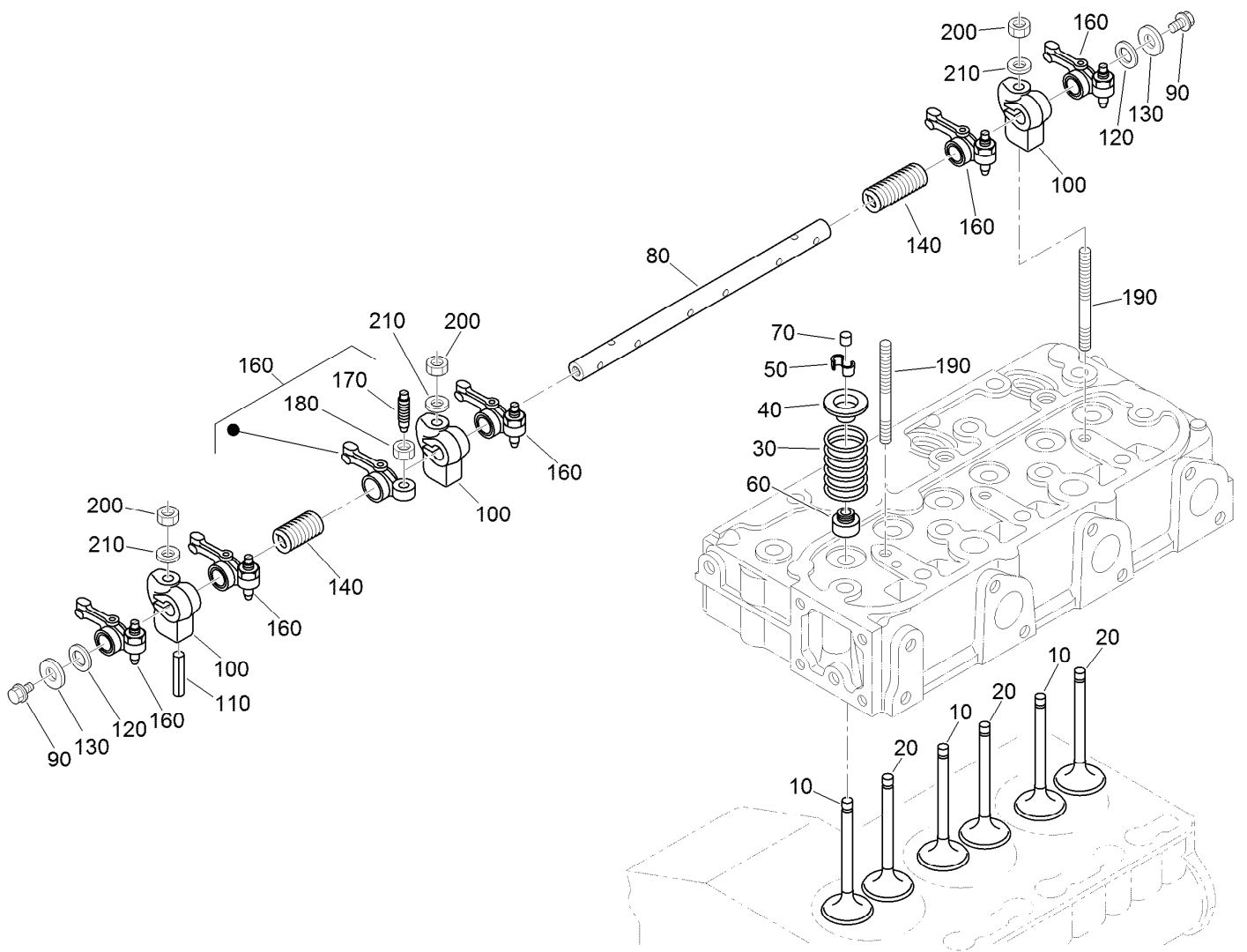
## Water Flange and Thermostat Assembly

<i>Ref.</i>	<i>Part Number</i>	<i>Qty.</i>	<i>Description</i>
10	98-9713	1	Water Flange ASM
20	98-9580	1	Pipe-Return, Water
30	105-3747	1	Plug
40	99-3583	1	Gasket
50	98-9638	1	Gasket-Flange, Water
60	98-7692	3	Bolt
70	98-9356	1	Bolt
80	98-9578	1	Pipe-Return, Water
90	125-9078	2	Clamp-Hose
100	98-9719	1	Thermoswitch
110	98-7778	1	Thermostat ASM
120	98-9471	1	Cover-Thermostat
130	105-3748	1	Gasket-Thermostat
140	98-7777	2	Bolt



## Water Pump Assembly

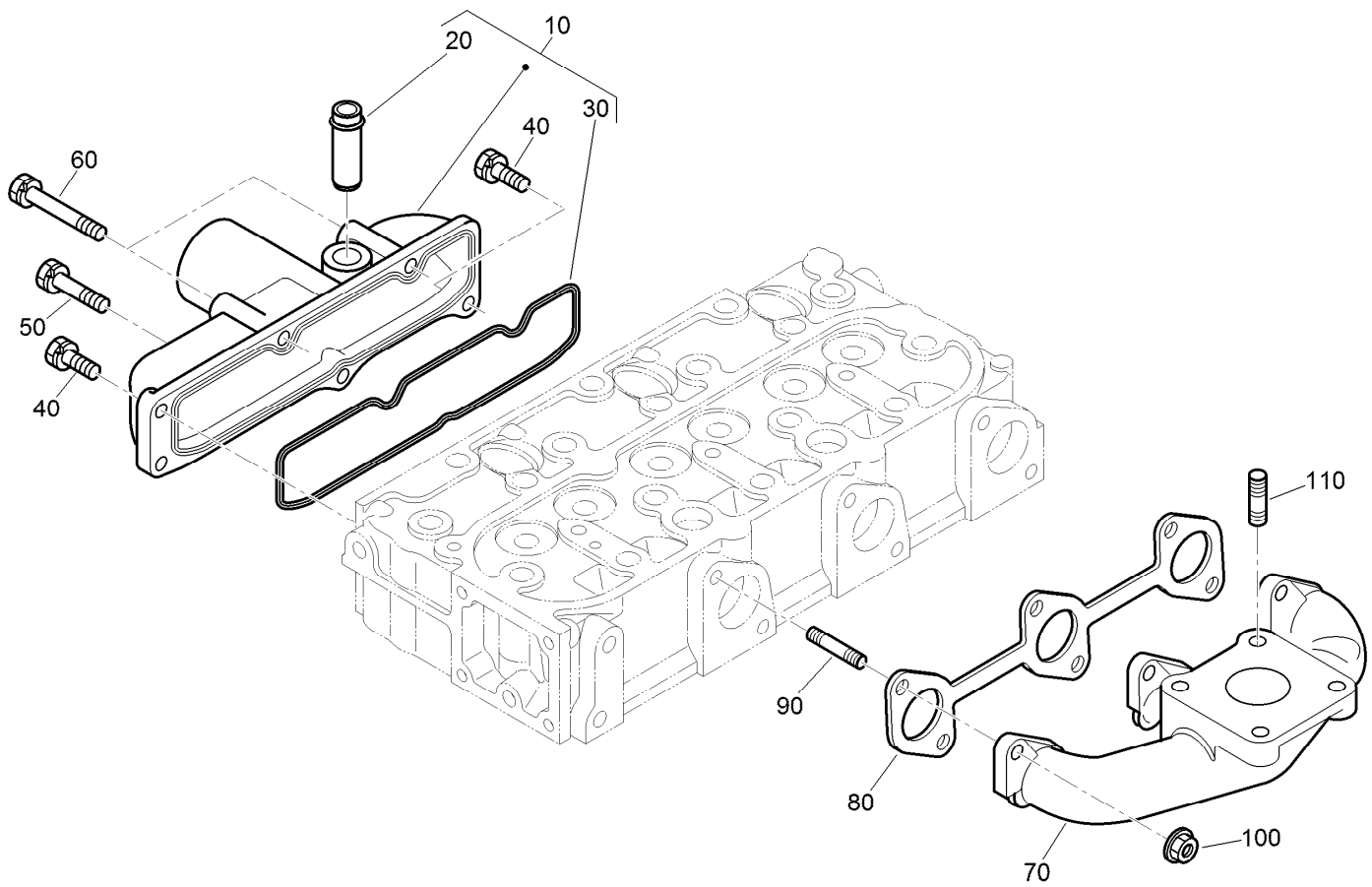
<b>Ref.</b>	<b>Part Number</b>	<b>Qty.</b>	<b>Description</b>
10	107-9089	1	Water Pump ASM
20	99-3516	1	Flange-Pump, Water
40	105-3750	1	Mechanical Seal ASM
50	112-7017	1	Impeller-Pump, Water
60	100-1932	1	Pipe-Return, Water
70	99-3454	1	Gasket-Pump, Water
80	98-9353	4	Bolt
90	107-9090	2	Bolt
100	98-9716	1	Pipe-Water
110	107-9091	1	Pipe-Water
120	127-0439	2	Clamp-Hose



## Valve and Rocker Arm Assembly

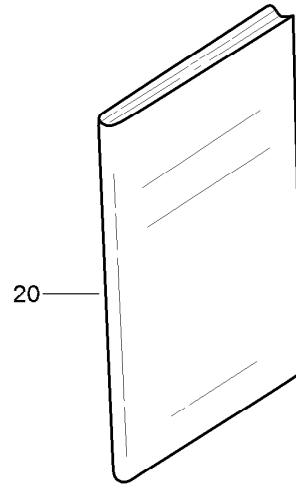
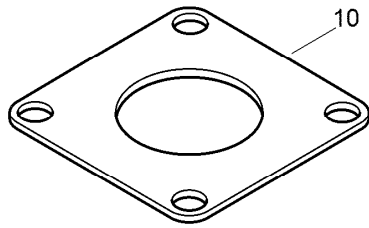
<i>Ref.</i>	<i>Part Number</i>	<i>Qty.</i>	<i>Description</i>	<i>Ref.</i>	<i>Part Number</i>	<i>Qty.</i>	<i>Description</i>
10	112-7018	3	Valve-Inlet	110	105-3758	1	Pin-Spring
20	120-2564	3	Valve-Exhaust	120	98-9507	2	Washer-Shaft, Rocker Arm
30	98-9648	6	Spring-Valve	130	110-3832	2	Washer-Plain
40	107-9092	6	Retainer-Spring	140	98-9504	2	Spring-Arm, Rocker
50	117-7572	6	Collet-Spring, Valve	160	112-7020	6	Rocker Arm ASM
60	99-8385	6	Seal-Stem, Valve	170	98-9502	6	Screw-Adjusting
70	98-9497	6	Cap-Valve	180	98-9503	6	Nut
80	130-1248	1	Shaft-Arm, Rocker	190	98-9506	3	Stud
90	99-8363	2	Bolt-Flange	200	98-9393	3	Nut
100	98-9505	3	Bracket-Arm, Rocker	210	98-9385	3	Washer-Flat





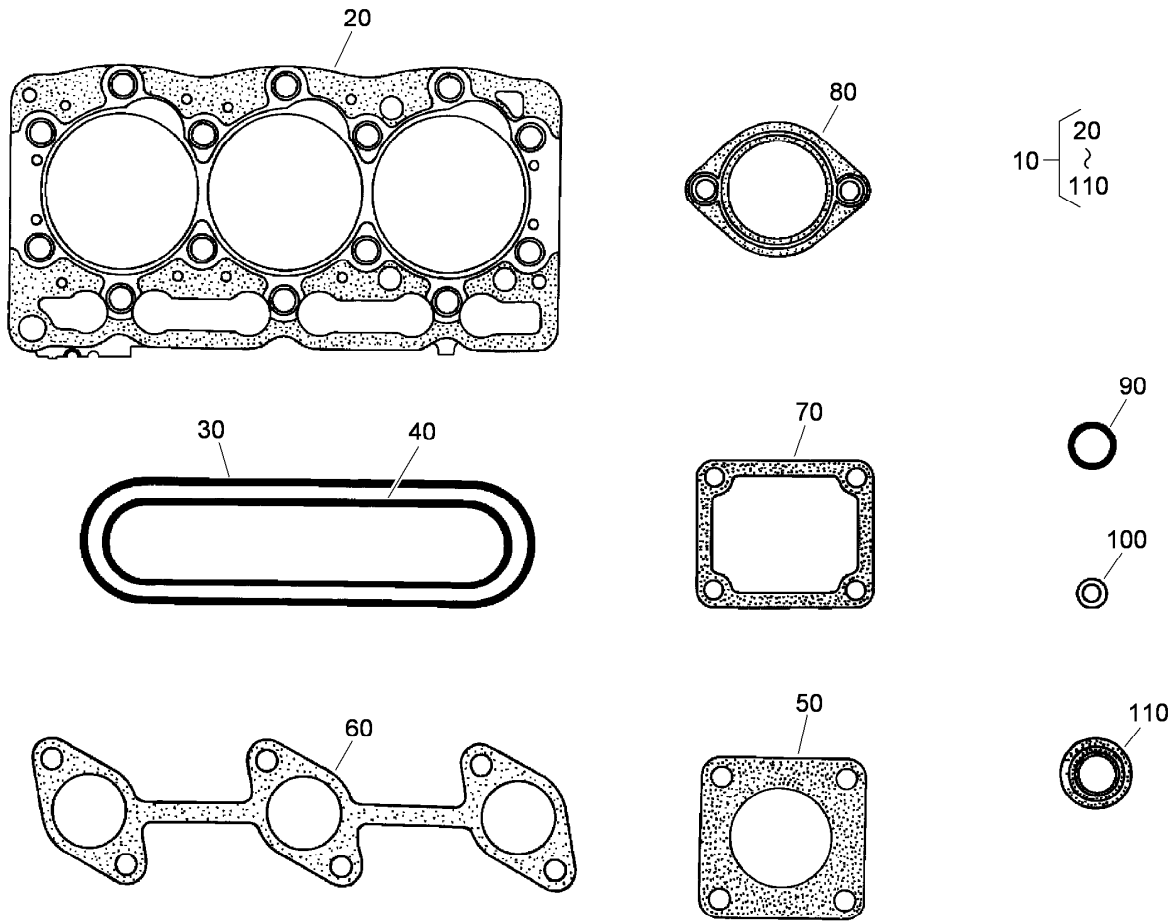
## Inlet and Exhaust Manifold Assembly

<i>Ref.</i>	<i>Part Number</i>	<i>Qty.</i>	<i>Description</i>
10	108-6577	1	Inlet Manifold ASM
20	98-9492	1	Joint-Pipe, Breather
30	98-9609	1	Gasket-Manifold, Inlet
40	127-0403	3	Bolt-Flange
50	98-9353	1	Bolt
60	125-9063	2	Bolt-Sems
70	107-9093	1	Manifold-Exhaust
80	99-8327	1	Gasket-Manifold, Exhaust
90	98-9588	6	Stud
100	98-9665	6	Nut
110	98-7769	4	Stud



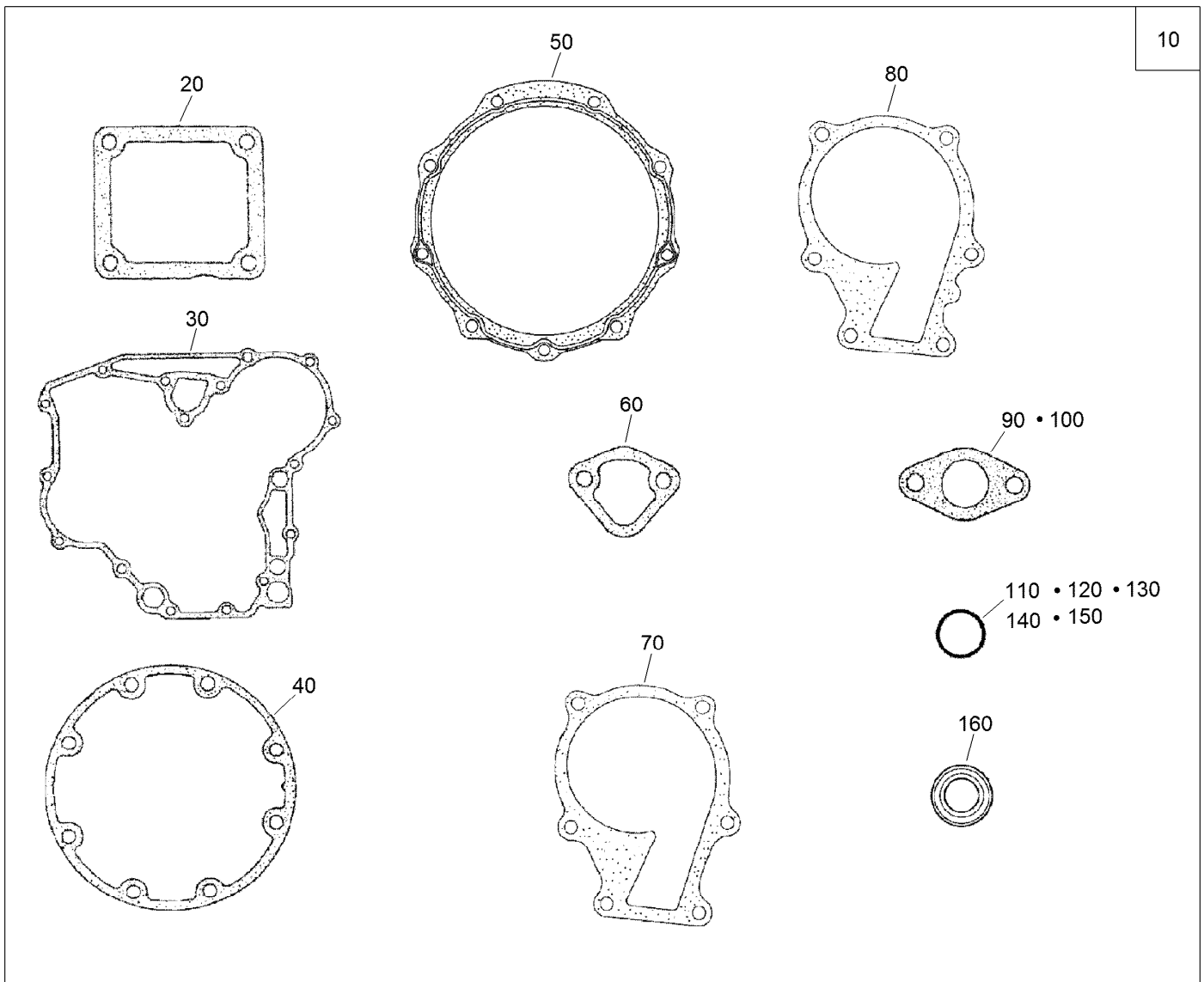
## Miscellaneous Engine Parts

<i>Ref.</i>	<i>Part Number</i>	<i>Qty.</i>	<i>Description</i>
10	99-8343	1	Gasket-Muffler
20	130-1543	1	Manual-Operator



## Upper Gasket Kit

<i>Ref.</i>	<i>Part Number</i>	<i>Qty.</i>	<i>Description</i>
10	107-7848	1	Upper Gasket Kit
20	108-6573	1	Gasket-Head, Cylinder
30	98-9615	1	Gasket-Cover, Head
40	98-9609	1	Gasket-Manifold, Inlet
50	99-8343	1	Gasket-Muffler
60	99-8327	1	Gasket-Manifold, Exhaust
70	98-9638	1	Gasket-Flange, Water
80	105-3748	1	Gasket-Thermostat
90	99-3446	2	O-Ring
100	98-9454	3	Gasket
110	99-8385	6	Seal-Stem, Valve



## Lower Engine Gasket Kit

<i>Ref.</i>	<i>Part Number</i>	<i>Qty.</i>	<i>Description</i>	<i>Ref.</i>	<i>Part Number</i>	<i>Qty.</i>	<i>Description</i>
10	130-1364	1	Lower Gasket Kit	90	98-9682	1	Gasket
20	98-9637	1	Gasket	100	98-9683	1	Gasket-Cover, Solenoid
30	98-9633	1	Gasket-Case, Gear	110	105-3781	2	O-Ring
40	127-0440	1	Gasket-Case, Bearing	120	105-3777	2	O-Ring
50	112-7037	1	Gasket-Cover, Case	130	105-3783	1	O-Ring
60	117-7562	1	Gasket-Pump, Fuel	140	105-3776	1	O-Ring
70	98-9632	1	Gasket-Pump, Water	150	105-3788	1	O-Ring
80	99-3454	1	Gasket-Pump, Water	160	98-7601	1	Seal-Oil

# Attachments and Accessories

## For 30344 Groundsmaster 3280-D Traction Unit

<b>Product Name</b>	<b>Model/Part</b>
52 Inch Side Discharge Mower .....	30555
60 Inch Side Discharge Mower .....	30366
62 Inch Base Mower .....	30403
62 Inch Side Discharge Deck.....	30551
72 Inch Side Discharge Mower .....	30368
72 Inch Base Mower .....	30404
62 Inch Blower Kit.....	30506
Debris Blower .....	30823
48 Inch V-Plow.....	30750
V-Plow Mounting Kit.....	115-4917
Tire Chains .....	82531
15 Cubic Foot Bagger Kit.....	30356
52 Inch Blower Kit.....	30502
60 Inch Blower Kit.....	30357
Mechanical Seat Suspension Kit .....	30312
Pneumatic Seat Suspension Kit.....	30313
Standard Seat Kit.....	30398
Premium All Purpose Grease (Tube) .....	108-1190
Arm Rest Kit.....	30707
Armrest Adapter Kit .....	108-9687
Premium Engine Oil 10w30 (55 Gal).....	121-6392
Wheel and Tire Assembly .....	119-2864
Premium Engine Oil 10w30 (5 Gallon Pail) .....	121-6393
Tire .....	69-9880
Wheel Weight Kit .....	11-0440
Rear Weight Kit.....	24-5780
Cab Kit.....	30298
400-Hour Filter Maintenance Kit .....	30051
Auxiliary Valve Kit .....	120-6640
Auxiliary Power Unit.....	30382
Implement Flow Control Kit.....	110-5699
Premium Transmission/Hydraulic Tractor Fluid (55 Gallon Drum).....	108-1183
Premium Transmission/Hydraulic Tractor Fluid (5 Gallon Pail) .....	108-1184
Premium Engine Oil 15w40 (55 Gallon Drum) .....	121-6394
Premium Engine Oil 15w40 (5 Gallon Pail) .....	121-6395
Wheel .....	119-2863
Tire .....	231-95
Hardtop Sunshade.....	30359
Bimini Sunshade for 2-Post Roll-Over Protection System.....	30358
5in Air Cleaner Safety Element.....	114-4057
Blower Drive and Mounting Kit.....	110-8539
Attachment Frame Kit.....	110-8540
Snowthrower Drive and Mounting Kit.....	114-4140
Mounting Kit (for Model 30823).....	115-4929
Model 2670 Debris Blower Mounting Kit (2XX) .....	115-4932
Model 2670 Debris Blower Mounting Kit (3XX) .....	115-4935

# Attachments and Accessories (continued)

Weight-Wheel ..... 77-6700  
Auxiliary Valve Kit ..... 120-6590  
CE Kit ..... 31204  
Castor Wrench, Groundsmaster Traction Unit ..... 121-3874  
Spark Arrestor Screen ..... 75-6880

**Notes:**



**Count on it.**