



Count on it.

Parts Catalog

Workman® GTX

Utility Vehicle with Bucket Seat

Model No. 07042—Serial No. 40000000 and Up



Ordering Replacement Parts

To order replacement parts, please supply the part number, the quantity, and the description of each part desired.

Understanding Reference Numbers

Each identified part in an illustration has a reference number. The reference number for a part also appears in the parts list, along with other information about the part.

This catalog uses two special reference number formats, one to indicate parts in a service assembly and another to indicate the quantity of a given part in an illustration.

Service Assembly Reference Numbers

Parts in service assemblies have reference numbers in the form a:b. The a represents the reference number of the entire service assembly and the b represents a sequential number unique to each part within the service assembly.

For example, a wheel assembly might be identified by reference number 6, the tire by 6:1, the valve by 6:2, and the wheel by 6:3. When you order the assembly identified by reference number 6, you receive all parts identified by reference numbers 6:1, 6:2, and 6:3. However, you may also order any part individually. Reference numbers of this type appear in illustration and in parts lists.

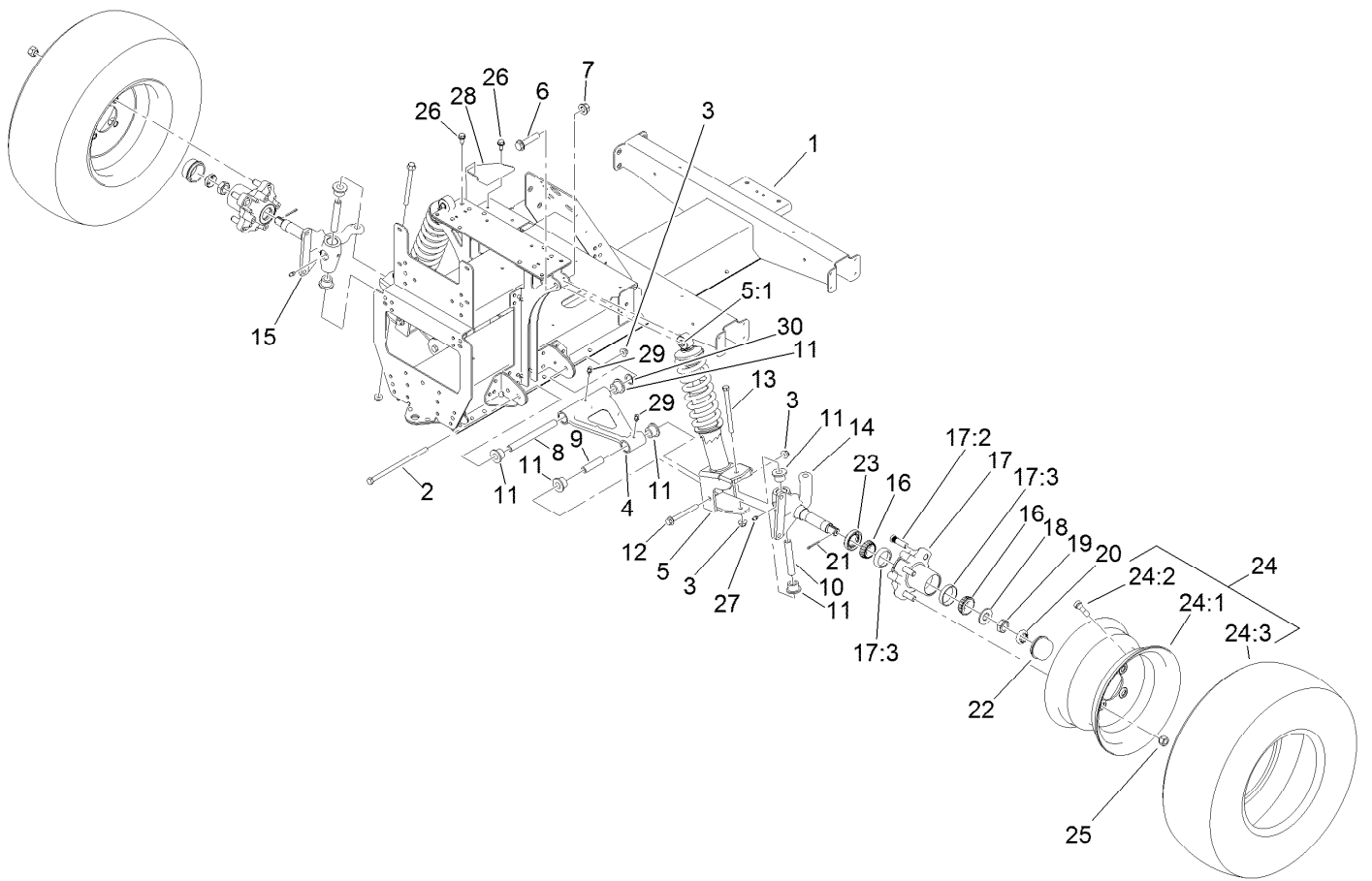
Reference Numbers Indicating Quantity

In an illustration, if a reference number indicates more than one part, the reference number has the form nX y. The n represents the quantity of the part, the X is the multiplication symbol, and the y represents the reference number.

For example, in an illustration, the reference number 2X 37 means that two of the parts identified by reference number 37 are indicated.

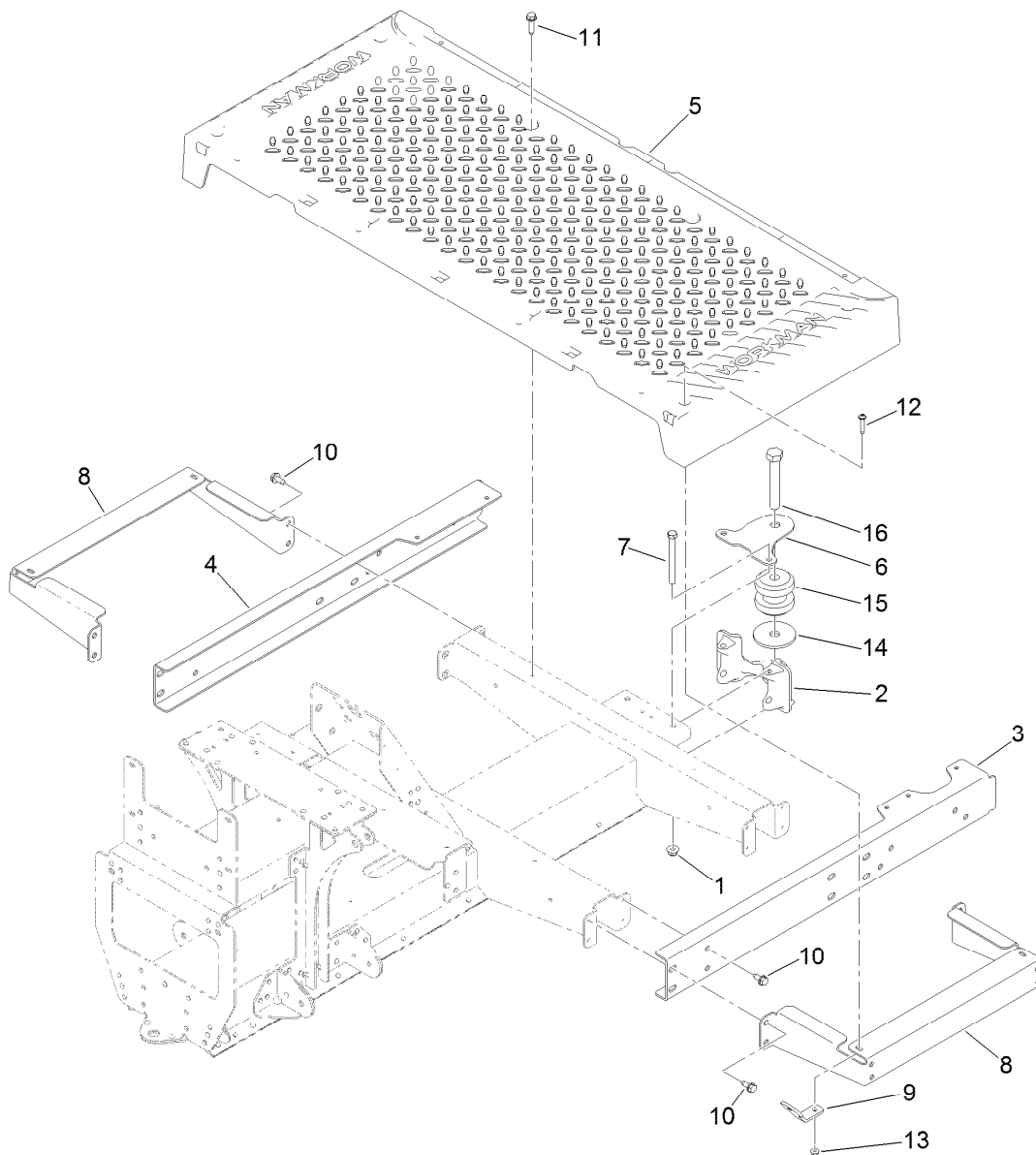
Contents

Front Frame and Suspension Assembly	4
Floor Plate and Rear Suspension Mount Assembly	5
Rear Frame and Suspension Assembly	6
Frame Mount and Rear Shock/Spring Assembly	7
Brake Assembly	8
Master Cylinder Assembly No. 104-6782	9
Brake Caliper Assembly No. 127-7424	10
Steering Assembly	11
Pedal and Control Assembly	12
Hood and Fender Assembly	13
Dash Assembly	14
Seatbase Assembly	15
Cargo Bed Assembly	16
Cargo Bed and Tailgate Assembly No. 131-8592	17
Engine Assembly	18
Starter Generator Assembly No. 131-8444	20
Secondary Clutch Assembly No. 119-6011	21
Engine Assembly No. 131-8502	22
Air Cleaner Assembly No. 99-7120	26
Primary Clutch Assembly No. 131-8500	27
Transaxle Assembly No. 131-3486	28
Rear Wheel and Transaxle Assembly	30
Battery and Cable Assembly	31
Electrical Assembly	32
Fuel System Assembly	33
Fuel Tank Assembly No. 127-7849	34
Attachments and Accessories	35



Front Frame and Suspension Assembly

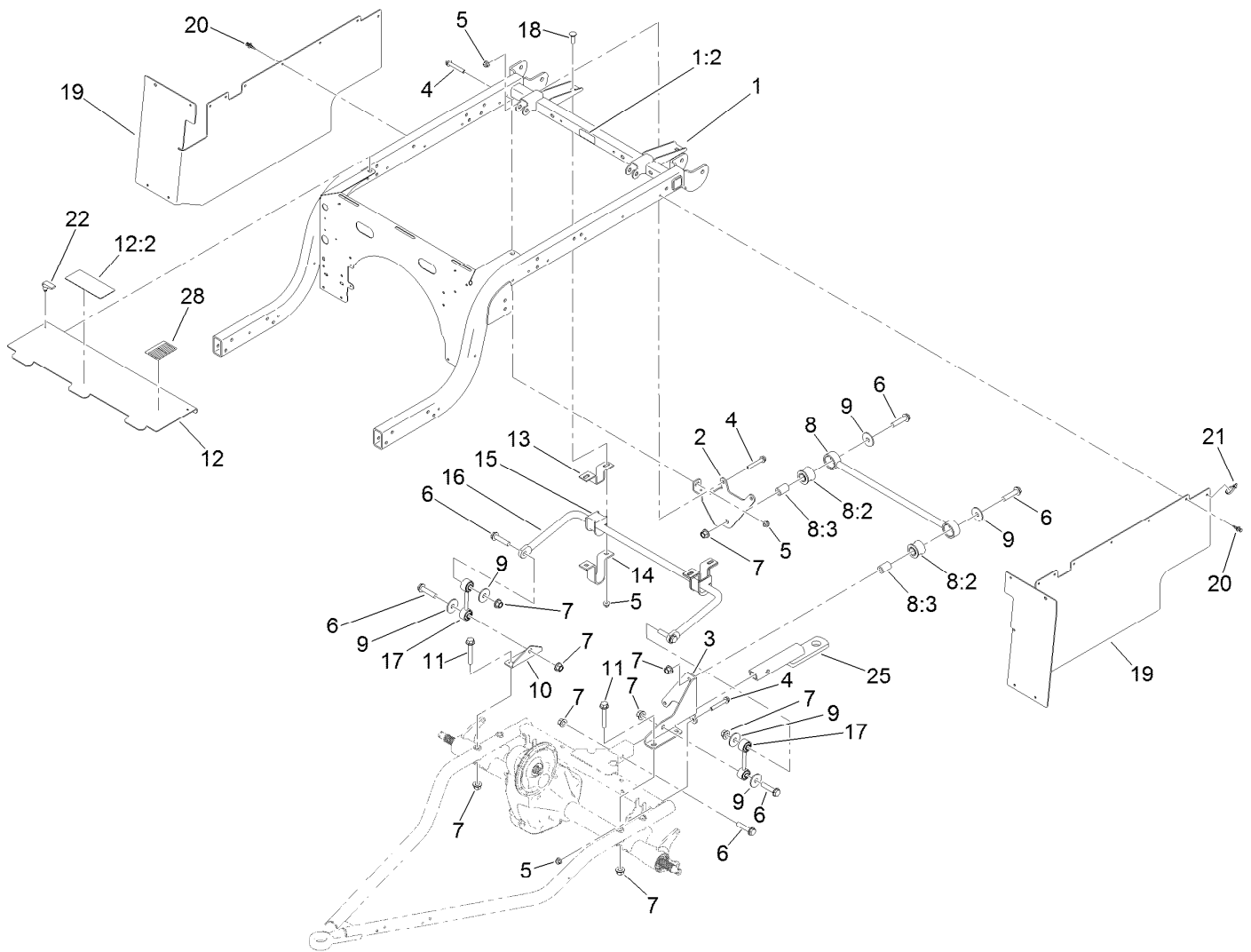
Ref.	Part Number	Qty.	Description	Ref.	Part Number	Qty.	Description
1	127-7718-03	1	Frame-Front	17:2	10-6830	4	Stud-Type, Drive
2	131-8572	2	Screw-HF	17:3	254-72	2	Bearing-Cup, Tapered
3	104-8301	6	Nut-Flange, NI	18	93-0309	2	Washer-Tab
4	131-8345	2	A-Arm	19	3220-7	2	Nut-Jam
5	127-8776	2	Strut ASM	20	93-0307	2	Nut-Lock, Retainer
5:1	131-8574	1	Isolator-Shock	21	3272-12	2	Pin-Cotter
6	3234-46	2	Screw-HHF	22	241-119	2	Cap-Dust
7	99-5107	2	Nut-Lock	23	112-1690	2	Seal-Oil
8	131-8581	2	Sleeve-Control Arm, Inner	24	131-8319	2	Tire/Wheel ASM
9	131-8583	2	Sleeve-Control Arm, Outer	24:1	131-8317	1	Wheel
10	131-8582	2	Sleeve-Kingpin	24:2	232-27	1	Stem-Valve
11	133-0643	12	Bushing-Flange, O-Ring	24:3	131-8318	1	Tire
12	116-4701	2	Screw-HHF	25	242-50	8	Nut-Lug
13	131-8571	2	Screw-HF	26	32144-70	2	Screw-HWHTF
14	127-8825-03	1	Spindle-LH	27	302-5	2	Fitting-Grease
15	127-8826-03	1	Spindle-RH	28	131-8339-03	1	Reinforcement-Tower
16	254-94	4	Bearing-Cone, Tapered	29	302-40	4	Fitting-Grease, 90 DEG
17	127-8851	2	Front Hub ASM	30	237-54	12	O-Ring



Floor Plate and Rear Suspension Mount Assembly

Ref.	Part Number	Qty.	Description
1	104-8301	2	Nut-Flange, NI
2	131-8466	1	Mount-Suspension, Rear
3	127-7820-03	1	Channel-Frame, Front (LH)
4	127-7821-03	1	Channel-Frame, Front (RH)
5	127-7829	1	Plate-Floor
6	131-8597	1	Plate-Gimbal, Upper
7	323-42	2	Screw-HH
8	127-7837-03	2	Bracket-Support, Floor Plate

Ref.	Part Number	Qty.	Description
9	127-7832	2	Bracket-Angle
10	32144-70	16	Screw-HWHTF
11	32144-49	4	Screw-HWHTF
12	132-6777	4	Screw-TTH
13	104-7201	4	Nut-Flange, NI
14	110-4549	1	Washer-Snubbing
15	131-8480	1	Isolator
16	104-5877	1	Screw-HH



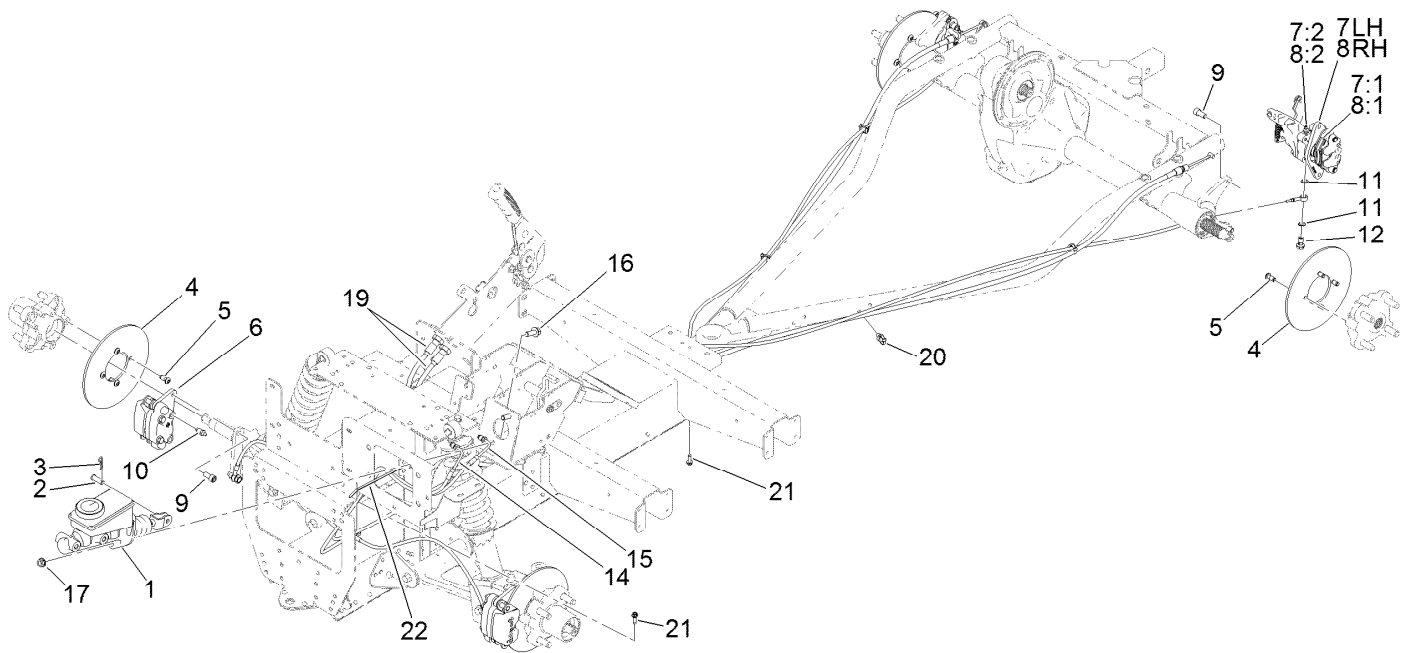
Rear Frame and Suspension Assembly

<i>Ref.</i>	<i>Part Number</i>	<i>Qty.</i>	<i>Description</i>	<i>Ref.</i>	<i>Part Number</i>	<i>Qty.</i>	<i>Description</i>
1	131-8594	1	Rear Frame ASM	12	131-8595	1	Panel-Cover
1:2	115-2047	1	Decal-Surface, Hot	12:2	99-7345	1	Decal-Warning
2	127-7412-03	1	Bracket-BAR, Stabilizer	13	87-3890-03	2	Bracket-BAR, Sway
3	127-7411-03	1	Bracket-BAR, Stabilizer	14	87-4010-03	2	Clamp-BAR, Sway
4	3234-39	5	Screw-HHF	15	87-3910	2	Bushing-Rubber
5	104-8301	9	Nut-Flange, NI	16	131-8310-03	1	BAR-Sway, Anti
6	3234-46	7	Screw-HHF	17	131-8394	2	Link-BAR, Sway
7	99-5107	11	Nut-Lock	18	3231-25	4	Bolt-CARR
8	109-5013	1	Panhard Rod ASM	19	131-8346	2	Panel-Side
8:2	109-5009	2	Bushing-Suspension, Rubber	20	125-9622	20	Rivet-Blind
8:3	109-5010	2	Spacer	21	3290-378	2	Tie-Cable
9	86-1990	6	Washer-Thrust	22	74-5950	2	Latch-Swell
10	131-8315	1	Bracket-Link, Sway BAR	25	132-8590-03	1	BAR-Draw, Class 1
11	3234-40	4	Screw-HF	28	133-7148	1	Decal-Service



Frame Mount and Rear Shock/Spring Assembly

<i>Ref.</i>	<i>Part Number</i>	<i>Qty.</i>	<i>Description</i>
1	3234-39	8	Screw-HHF
2	104-8301	8	Nut-Flange, NI
3	3234-46	4	Screw-HHF
4	99-5107	4	Nut-Lock
5	131-3455	2	Shock/Spring ASM
5:1	131-8574	2	Isolator-Shock



Brake Assembly

<i>Ref.</i>	<i>Part Number</i>	<i>Qty.</i>	<i>Description</i>	<i>Ref.</i>	<i>Part Number</i>	<i>Qty.</i>	<i>Description</i>
1	104-6782	1	Master Cylinder ASM	9	131-8573	8	Screw-HSH
2	283-2	1	Pin-Clevis	10	119-9509	2	Screw-Bleed
3	1-806003	1	Pin-Cotter	11	115-2341	8	Washer-Banjo
4	131-3460	4	Rotor	12	120-4875	4	Bolt-Flange, Banjo
5	121-9671	16	Screw-HSBH	14	127-7781	1	Brake Line-Front
6	127-7424	2	Brake Caliper ASM	15	127-7782	1	Brake Line-Rear
7	131-8313	1	Caliper-Rear, LH	16	3234-11	2	Screw-HHF
7:1	131-8518	1	Pad Kit (Set Of 4)	17	3290-357	2	Nut-HHF, Whiz
7:2	119-9509	1	Screw-Bleed	19	131-8406	2	Cable-Park Brake
8	131-8314	1	Caliper-Rear, RH	20	32180-030	4	Clip-Tie
8:1	131-8518	1	Pad Kit (Set Of 4)	21	49-2040	2	Screw-HWHTF
8:2	119-9509	1	Screw-Bleed	22	3290-378	1	Tie-Cable



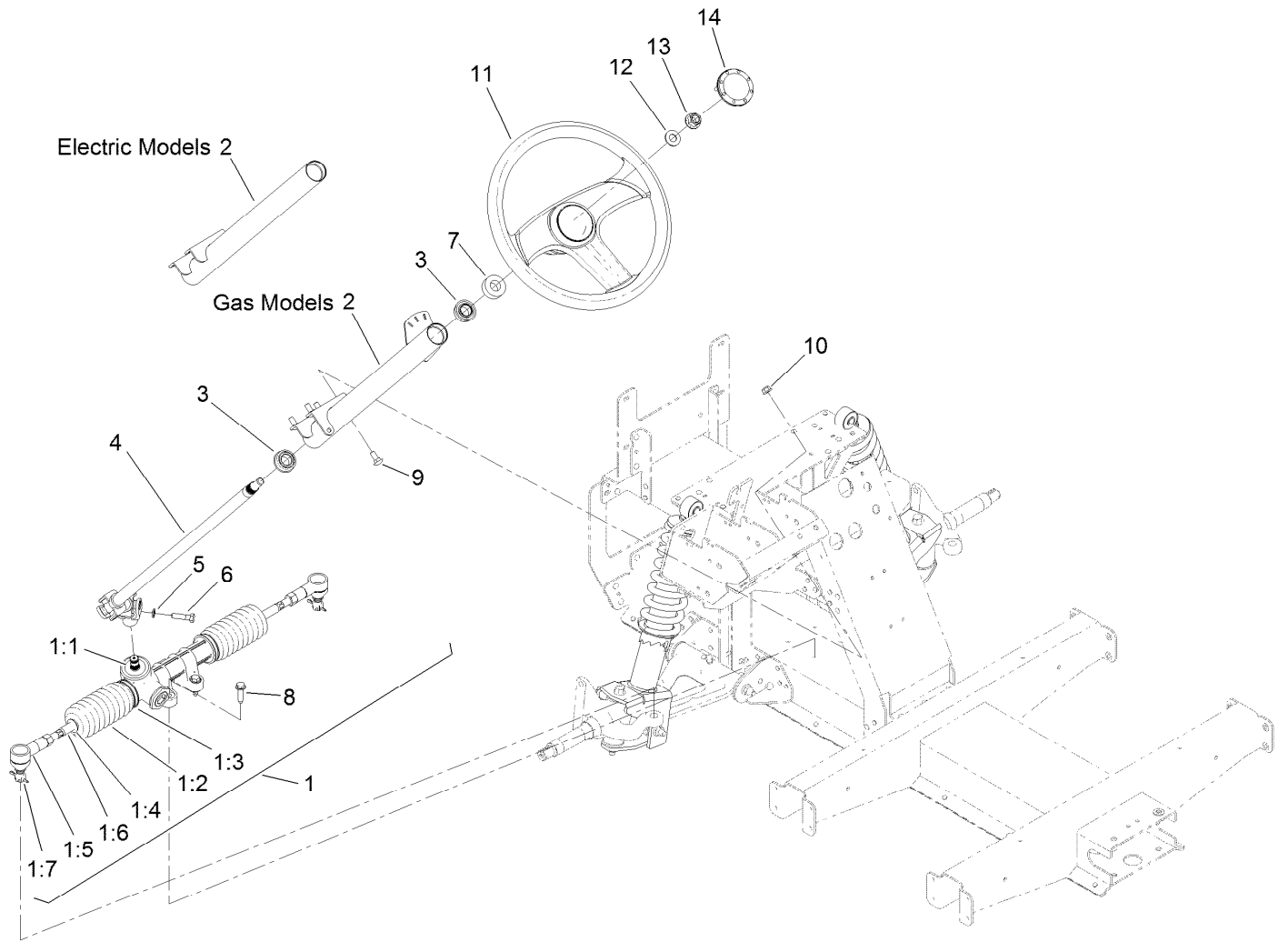
Master Cylinder Assembly No. 104-6782

Ref.	Part Number	Qty.	Description
1	104-6845	1	Reservoir ASM
1:1	92-4112	1	Cap ASM
2	93-8971	2	Seal-Port, Flange
3	92-4103	1	Pin-Stop
4	92-4102	1	Secondary Piston ASM
5	92-4110	1	Clevis
6	21-0360	1	Nut-Hex
7	94-5209	1	Cover-Dust
8	94-5210	1	Rod-Push
9	92-4109	1	Ring-Snap
10	92-4108	1	Retainer-Washer
11	92-4101	1	Primary Piston ASM



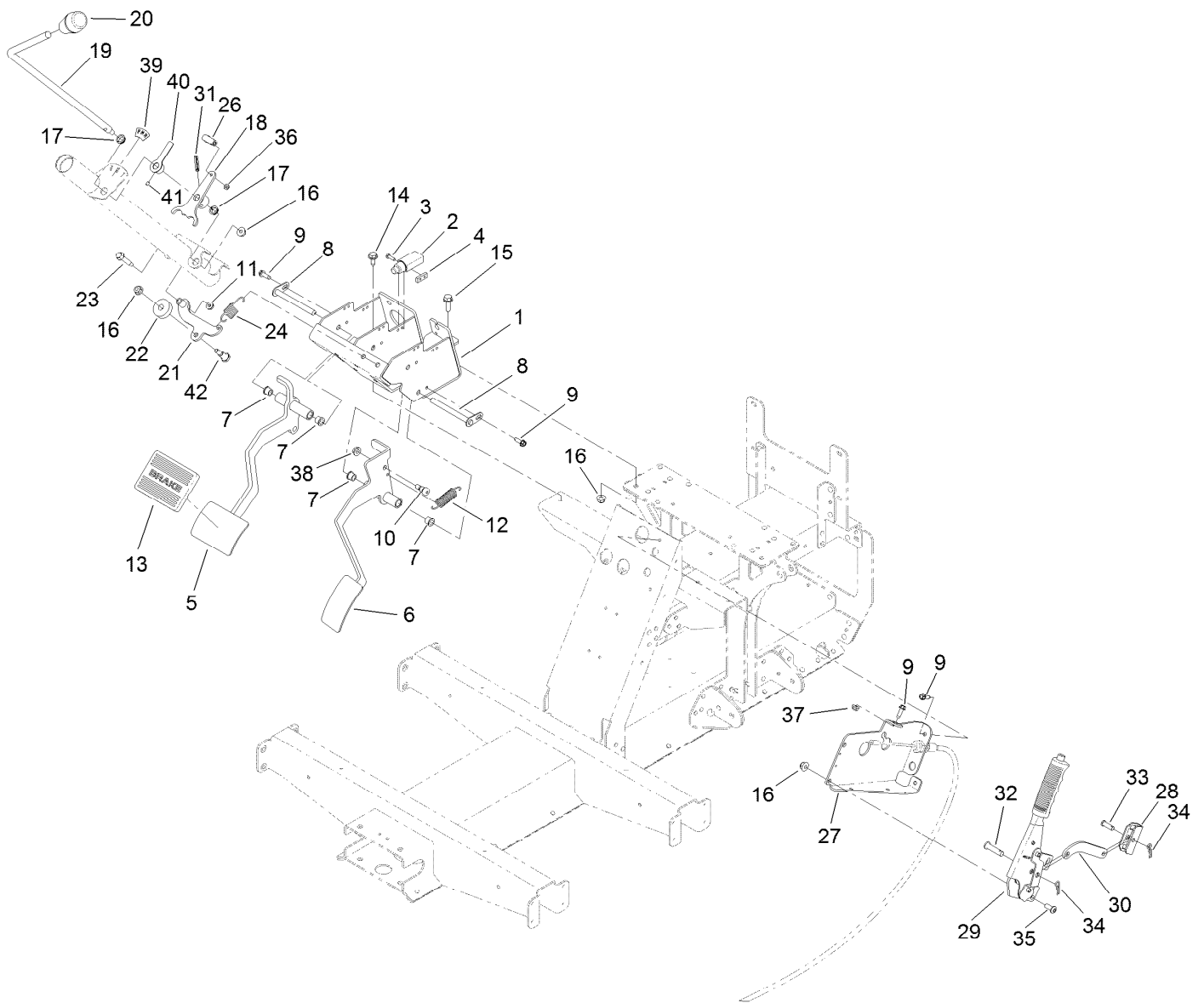
Brake Caliper Assembly No. 127-7424

<i>Ref.</i>	<i>Part Number</i>	<i>Qty.</i>	<i>Description</i>
1	119-9510	1	Pads-Brake
2	119-9511	1	Bracket Kit
3	133-0614	1	Piston Kit



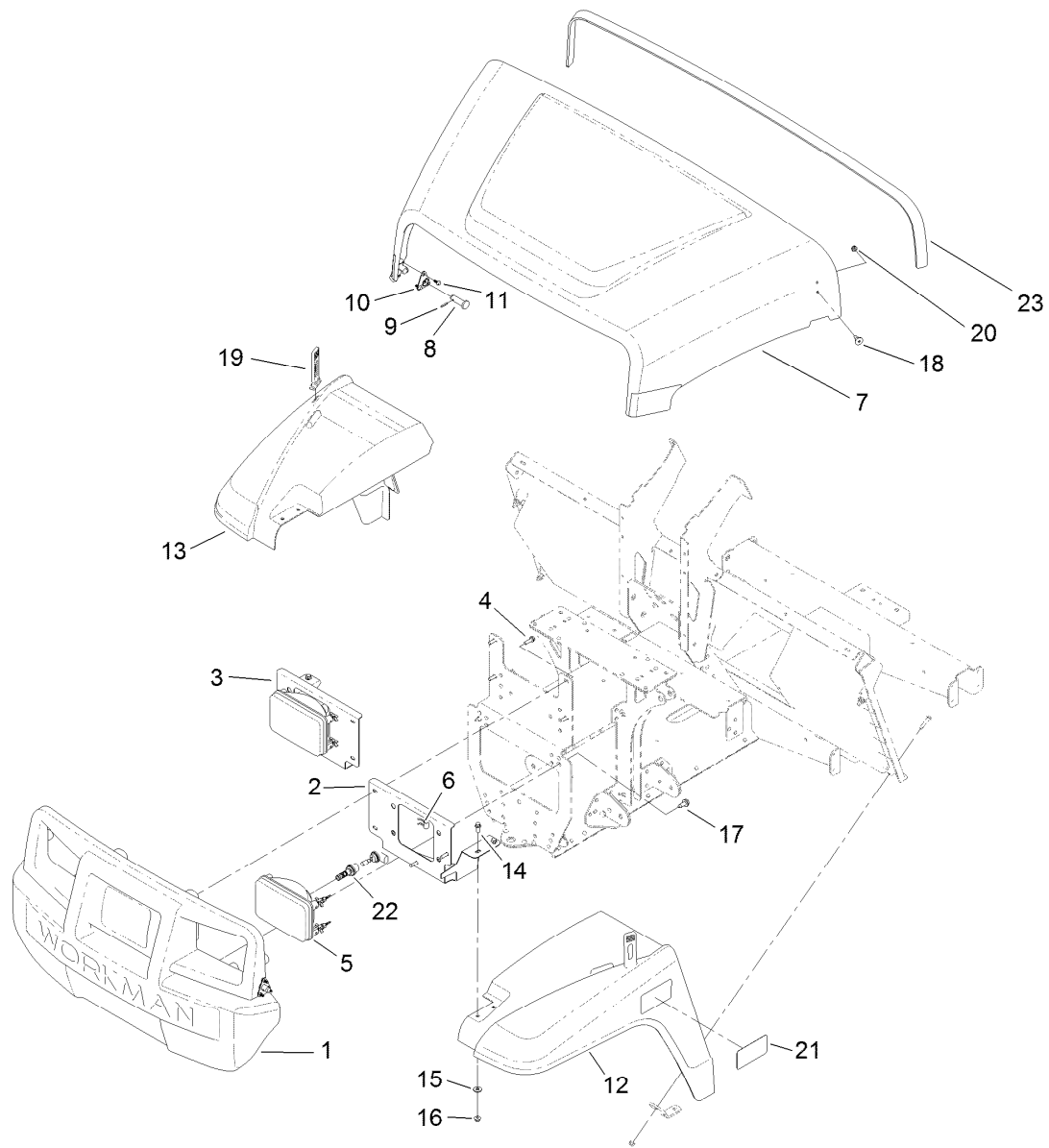
Steering Assembly

<i>Ref.</i>	<i>Part Number</i>	<i>Qty.</i>	<i>Description</i>	<i>Ref.</i>	<i>Part Number</i>	<i>Qty.</i>	<i>Description</i>
1	127-8797	1	Steering Rack ASM	5	3253-4	1	Washer-Lock
1:1	133-0607	1	Seal-Shaft	6	116-3515	1	Screw-HH, Special
1:2	133-0606	2	Bellows	7	21-9260	1	Cover-Dust
1:3	133-0605	2	Clamp-Bellows, Inner	8	32144-49	4	Screw-HWHTF
1:4	133-0604	2	Clamp-Bellows, Outer	9	3230-1	4	Bolt-CARR
1:5	133-0602	2	End-Rod, Track	10	104-8300	4	Nut-Flange, NI
1:6	133-0601	2	Rod-Tie, Track	11	131-0957	1	Wheel-Steering
1:7	3272-42	2	Pin-Cotter	12	3256-26	1	Washer-Flat
2	127-8799-03	1	Steering Column ASM	13	99-5107	1	Nut-Lock
3	112-3262	2	Bearing	14	131-3630	1	Cap-Wheel, Steering
4	127-8804	1	Steering Shaft ASM				



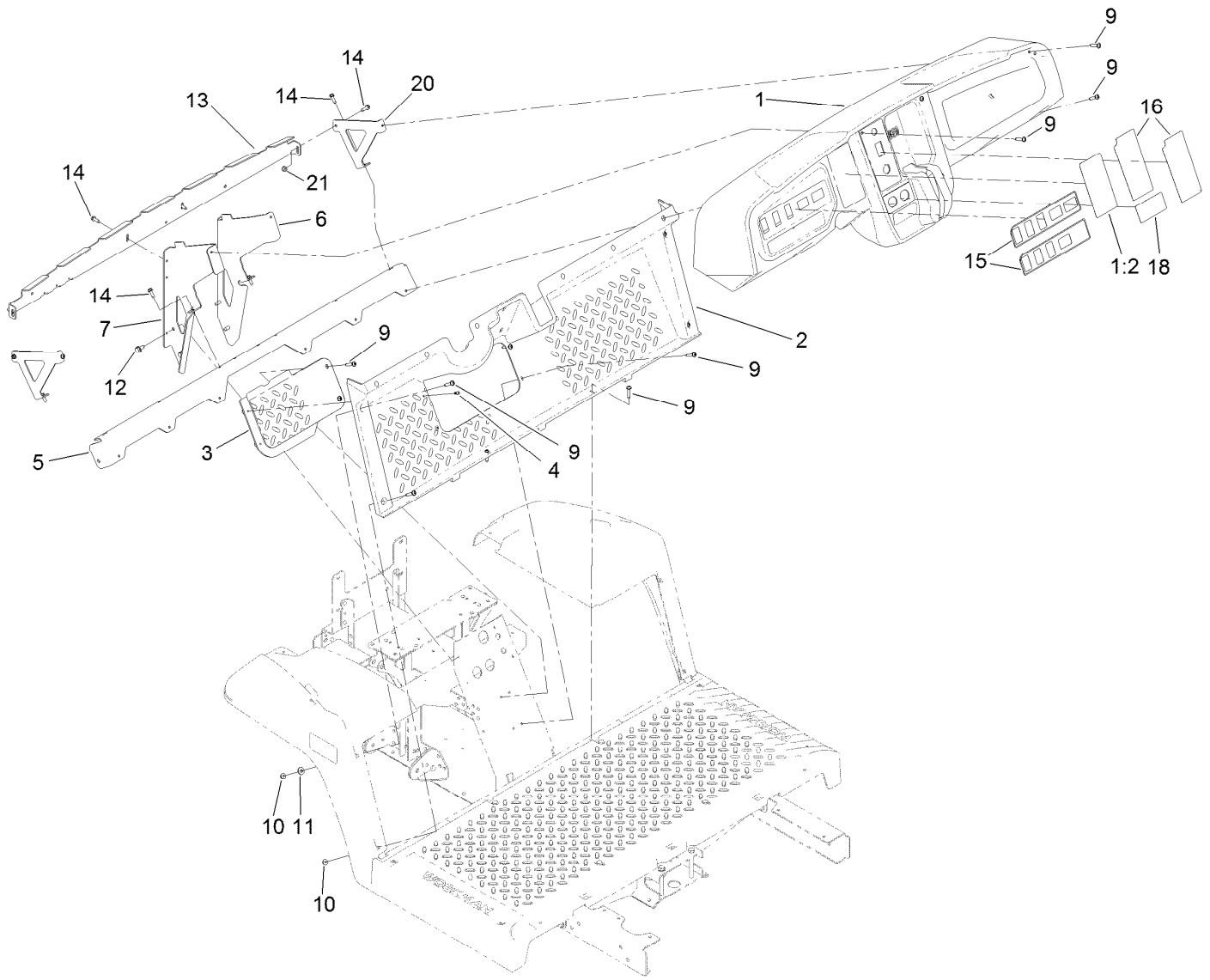
Pedal and Control Assembly

Ref.	Part Number	Qty.	Description	Ref.	Part Number	Qty.	Description
1	127-8817-03	1	Pedal Mount ASM	22	133-7212	1	Bushing-Detent, Shift
2	99-7407	1	Switch	23	116-6876	1	Screw-Shoulder
3	3290-134	2	Screw	24	131-8419	1	Spring-Extension
4	1-633181	1	Plate-Tapped	26	2411-38	1	Joint-Ball
5	127-8818-03	1	Brake Pedal ASM	27	127-8834-03	1	Mount-Brake, Park
6	127-8819-03	1	Accelerator Pedal ASM	28	87-3480	1	Bracket-Equalizer, Cable
7	256-116	4	Bushing-Flange	29	131-8320	1	Lever-Brake, Park
8	131-8459	2	Pivot Shaft ASM	30	127-8836-03	1	Link-Brake, Park
9	49-2040	5	Screw-HWHTF	31	32121-9	1	Pin-Roll, Slotted
10	1-809056	1	Screw-HSH	32	283-10	1	Pin-Clevis
11	32128-33	1	Nut-HF	33	1-808280	1	Pin-Clevis
12	67-1450	1	Spring-Idler	34	1-806003	2	Pin-Cotter
13	7-3900	1	Pad-Brake	35	3274-55	2	Screw-HSBH
14	32144-70	2	Screw-HWHTF	36	3296-27	1	Nut-Lock, NI
15	3234-29	1	Screw-HHF	37	104-7201	1	Nut-Flange, NI
16	104-8300	5	Nut-Flange, NI	38	32128-20	1	Nut-HF
17	110-3318	2	Bushing-Snap	39	131-8463	1	Decal-Shift
18	127-8833	1	Shift Arm ASM	40	131-8462-01	1	Shift Indicator ASM
19	127-8830	1	Shaft-Shifter	41	3245-20	1	Screw-HSH
20	131-8473	1	Knob-Tapered	42	613529	1	Screw-Shoulder
21	133-7214	1	Detent Arm ASM				



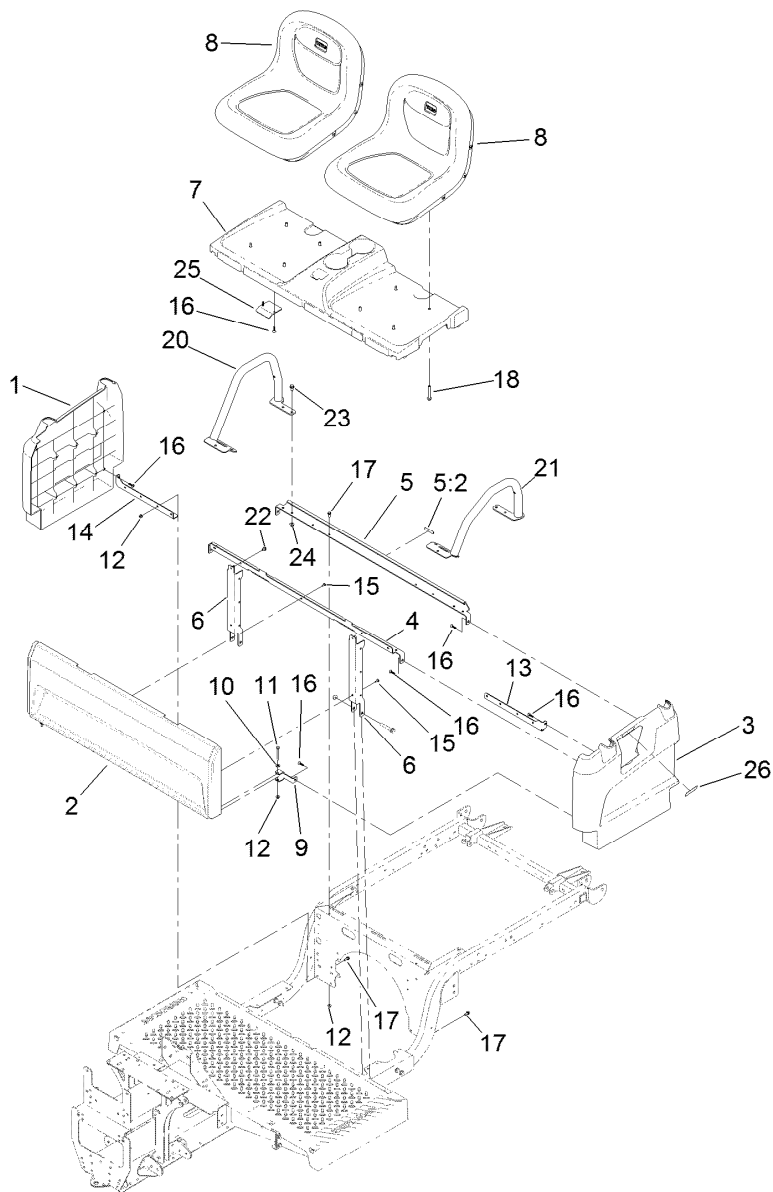
Hood and Fender Assembly

<i>Ref.</i>	<i>Part Number</i>	<i>Qty.</i>	<i>Description</i>	<i>Ref.</i>	<i>Part Number</i>	<i>Qty.</i>	<i>Description</i>
1	132-8530	1	Bumper	13	127-7772	1	Fender-Front, RH
2	131-8455-03	1	Bracket-Headlight, LH	14	3234-33	4	Screw-HHF
3	131-8456-03	1	Bracket-Headlight, RH	15	3256-2	4	Washer-Flat
4	46-8091	8	Screw-HWH	16	104-7201	4	Nut-Flange, NI
5	132-6703	2	Headlight ASM	17	32144-70	2	Screw-HWHTF
6	115-2408	6	Clip-Speed	18	125-1122	2	Screw
7	136-6281	1	Hood-Textured	19	131-8402	2	Strap-Hold Down
8	117-5094	2	Pin-Clevis	20	3296-56	2	Nut-Lock, NI
9	32121-50	2	Pin-Spring	21	131-8515	2	Decal-Fender
10	112-3308	2	Retainer-Pin	22	133-0574	2	Bulb-LED
11	121-9605	6	Screw-HWH	23	133-7210	1	Seal-Trim, Hood
12	127-7771	1	Fender-Front, LH				



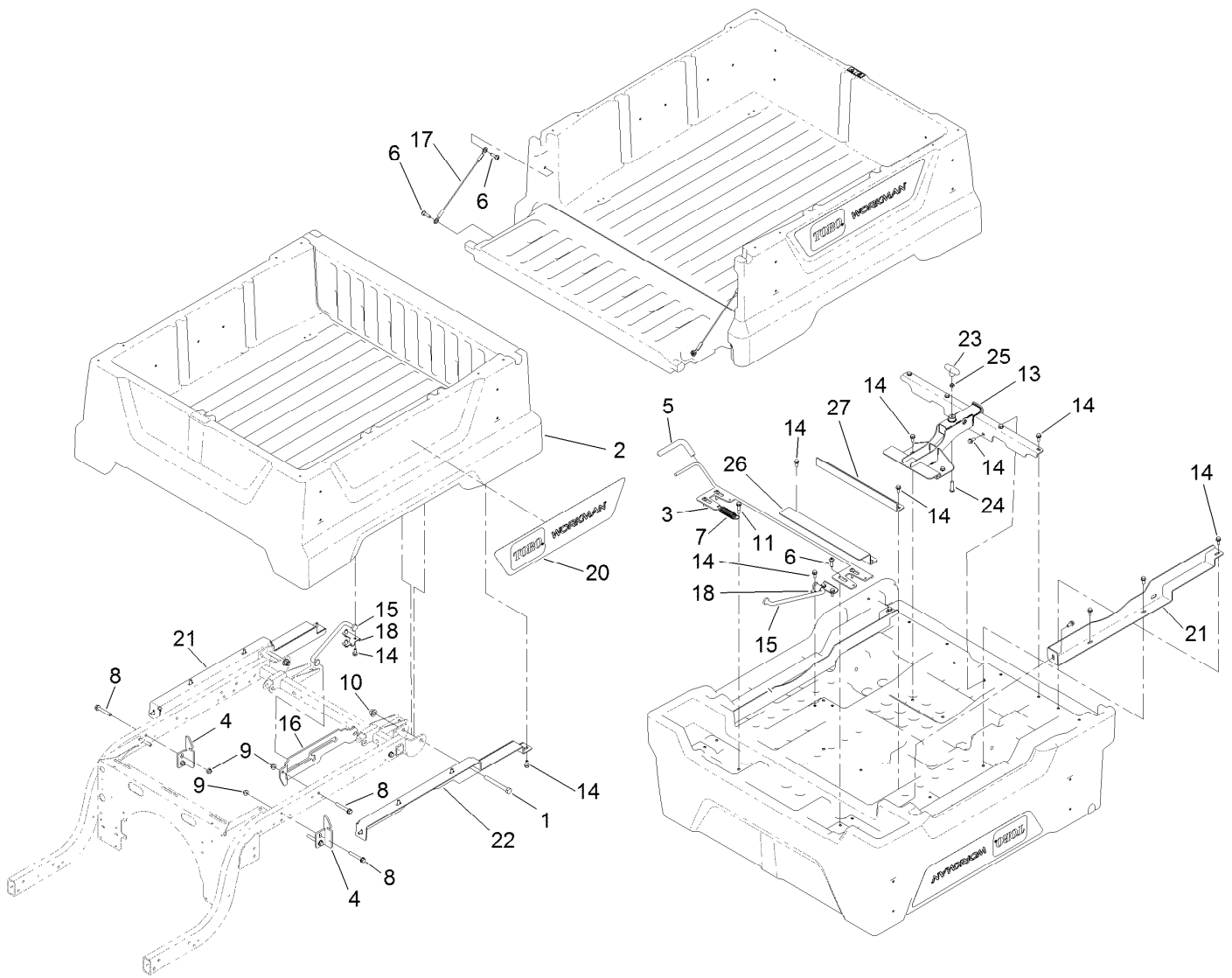
Dash Assembly

Ref.	Part Number	Qty.	Description	Ref.	Part Number	Qty.	Description
1	131-8593	1	Dash	11	3256-2	2	Washer-Flat
1:2	131-8414	1	Decal-Danger	12	32144-70	4	Screw-HWHTF
2	127-7846	1	Footboard	13	131-8568-03	1	Reinforcement-Dash
3	127-7847	1	Cover-Footboard	14	49-2040	8	Screw-HWHTF
4	107-7461	2	Screw-Plastite	15	131-8492	1	Decal-Dashboard
5	127-7831-03	1	Angle	16	131-8413	1	Decal-Panel, Control
6	131-8336-03	1	Bracket-Dash, RH	18	131-8493	1	Decal-USB
7	131-8335-03	1	Bracket-Dash, LH	20	131-8569-03	2	Bracket-Dash, Side
9	132-6777	20	Screw-TTH	21	104-7201	2	Nut-Flange, NI
10	104-7201	4	Nut-Flange, NI				



Seatbase Assembly

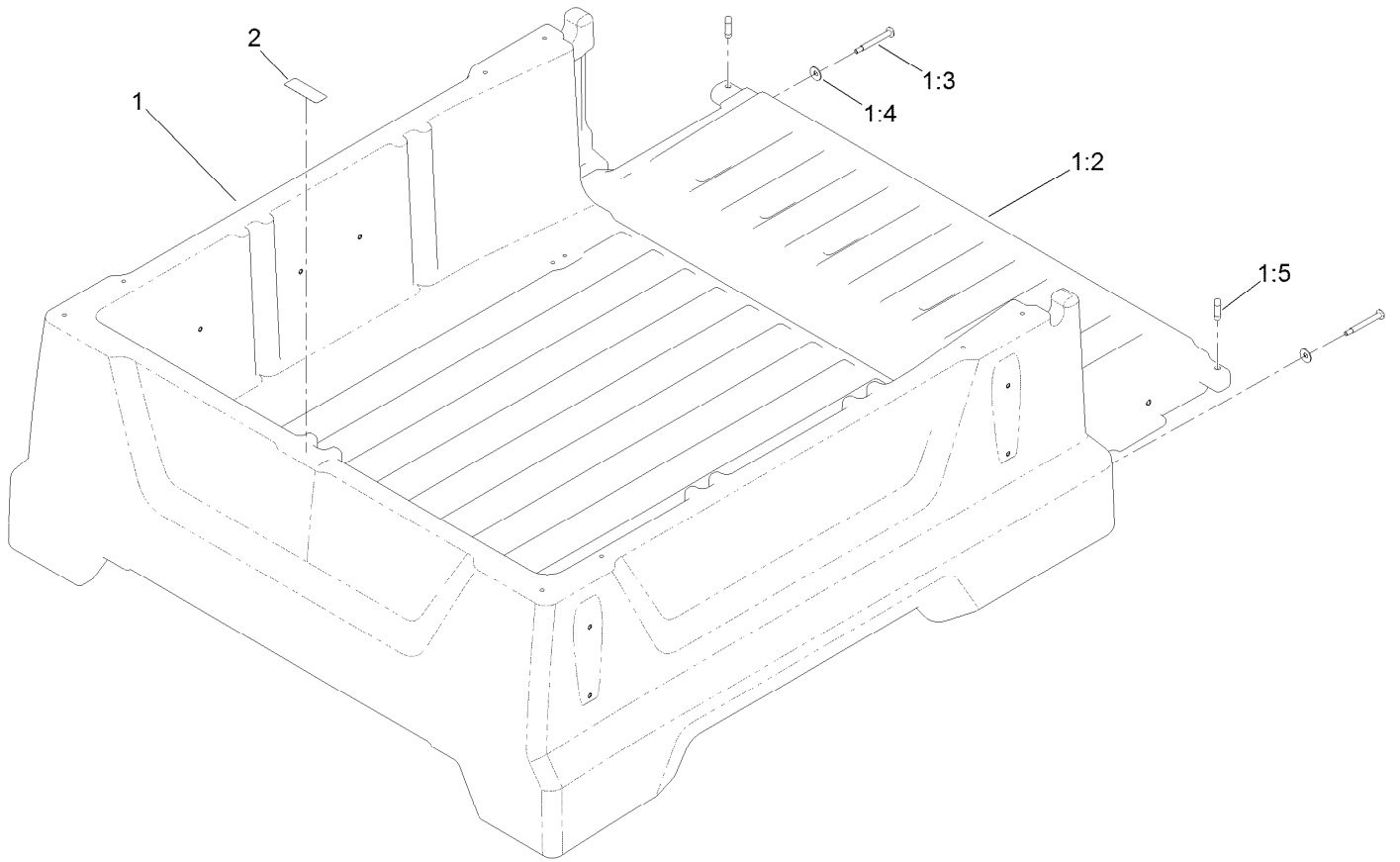
Ref.	Part Number	Qty.	Description	Ref.	Part Number	Qty.	Description
1	127-7805	1	Side-Base, Seat (RH)	13	127-7842-03	1	Bracket-Support, Side (LH)
2	133-7188	1	Panel-Seat Base	14	127-7843-03	1	Bracket-Support, Side (RH)
3	127-7807	1	Side-Base, Seat (LH)	15	112-6349	5	Screw-HWH
4	133-7345-03	1	Support-Seat	16	120-2349	12	Screw
5	131-8596	1	Angle-Seat Support, Rear	17	3234-33	6	Screw-HHF
5:2	120-9570	1	Decal-Warning	18	33104-060	8	Screw-HHF
6	127-7841-03	2	Channel-Support, Seat	20	131-8352-05	1	Restraint-Hip, RH
7	127-7839	1	Base-Mount, Seat	21	131-8353-05	1	Restraint-Hip, LH
8	133-0577	2	Seat ASM	22	46-6810	2	Screw And Washer ASM
9	127-7844-03	2	Clamp-Plate, Floor	23	32144-70	6	Screw-HWHTF
10	3256-22	2	Washer-Flat	24	104-8300	6	Nut-Flange, NI
11	321-18	2	Screw-HH	25	133-7167-03	2	Bracket-Hinge, Seat
12	104-7201	8	Nut-Flange, NI	26	131-8410	1	Decal-Danger, Fuel



Cargo Bed Assembly

Ref.	Part Number	Qty.	Description
1	325-18	2	Screw-HH
2	131-8592	1	Cargo Bed And Tailgate ASM
3	132-8524	1	Latch ASM
4	127-7428-03	2	Striker-Latch, Bed
5	132-8515	1	Grip-Handle
6	119-2267	8	Screw-Shoulder, BHTF
7	106-5598	1	Spring-Extension
8	3234-39	6	Screw-HHF
9	104-8301	6	Nut-Flange, NI
10	99-5107	2	Nut-Lock
11	116-8607	1	Screw-Shoulder
13	132-8523-03	1	Attachment-Quick, Class 1

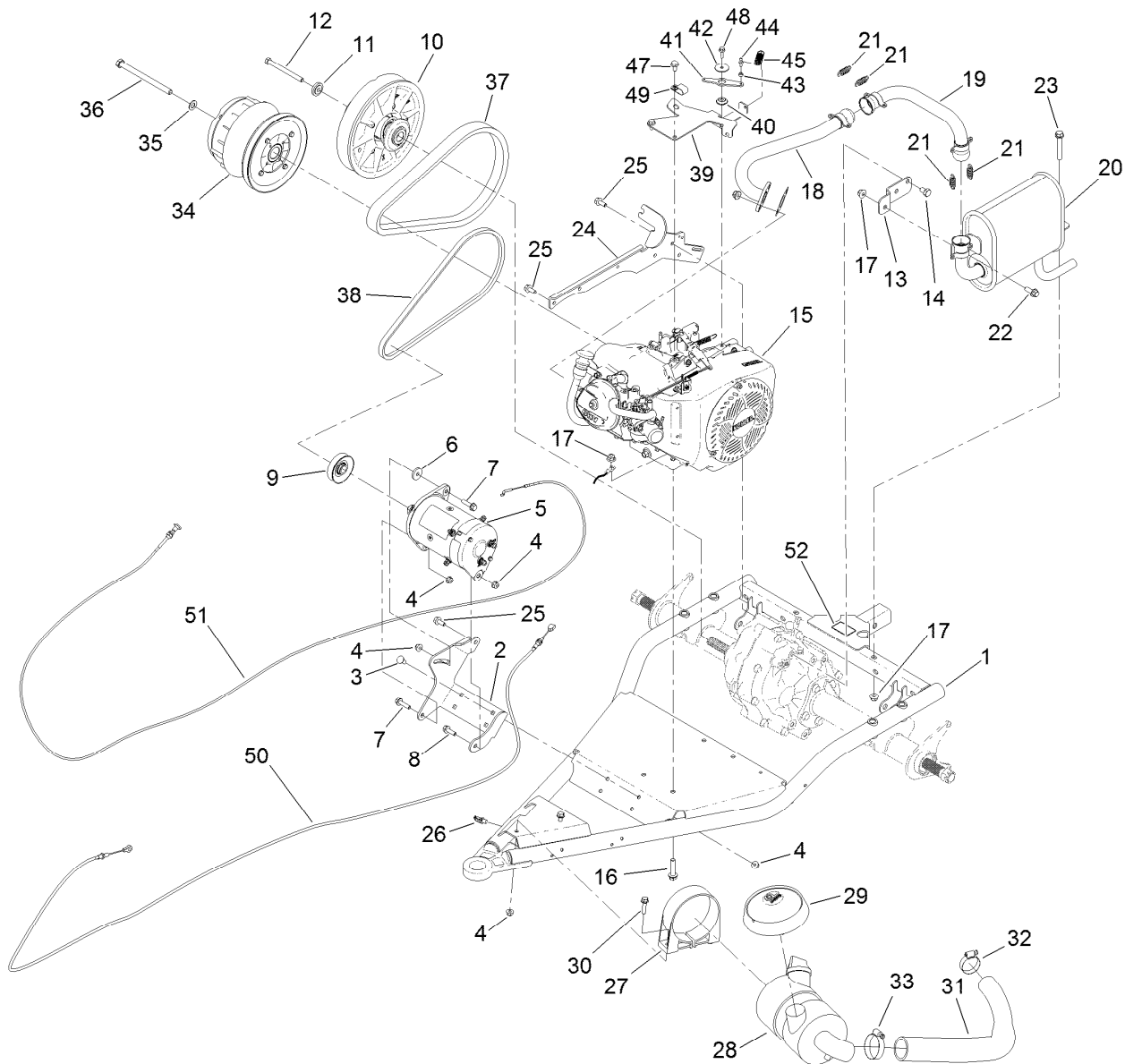
Ref.	Part Number	Qty.	Description
14	3234-5	25	Screw-HHF
15	132-8517	1	Rod-Prop
16	132-8518	1	Bracket-Rod, Prop
17	121-6343	2	Lanyard-Tailgate
18	132-0839	1	Bracket-U, Prop Rod
20	132-8538	2	Decal-Workman
21	133-3042-03	1	Support-Cargo Bed, RH
22	133-3043-03	1	Support-Cargo Bed, LH
23	133-3056	1	Handle-T
24	95-3857	1	Screw-HSBH
25	3218-3	1	Nut-Jam
26	133-3099-03	1	Brace-Bed, Extended
27	132-8526-03	1	Brace-Middle, Bed



Cargo Bed and Tailgate Assembly No. 131-8592

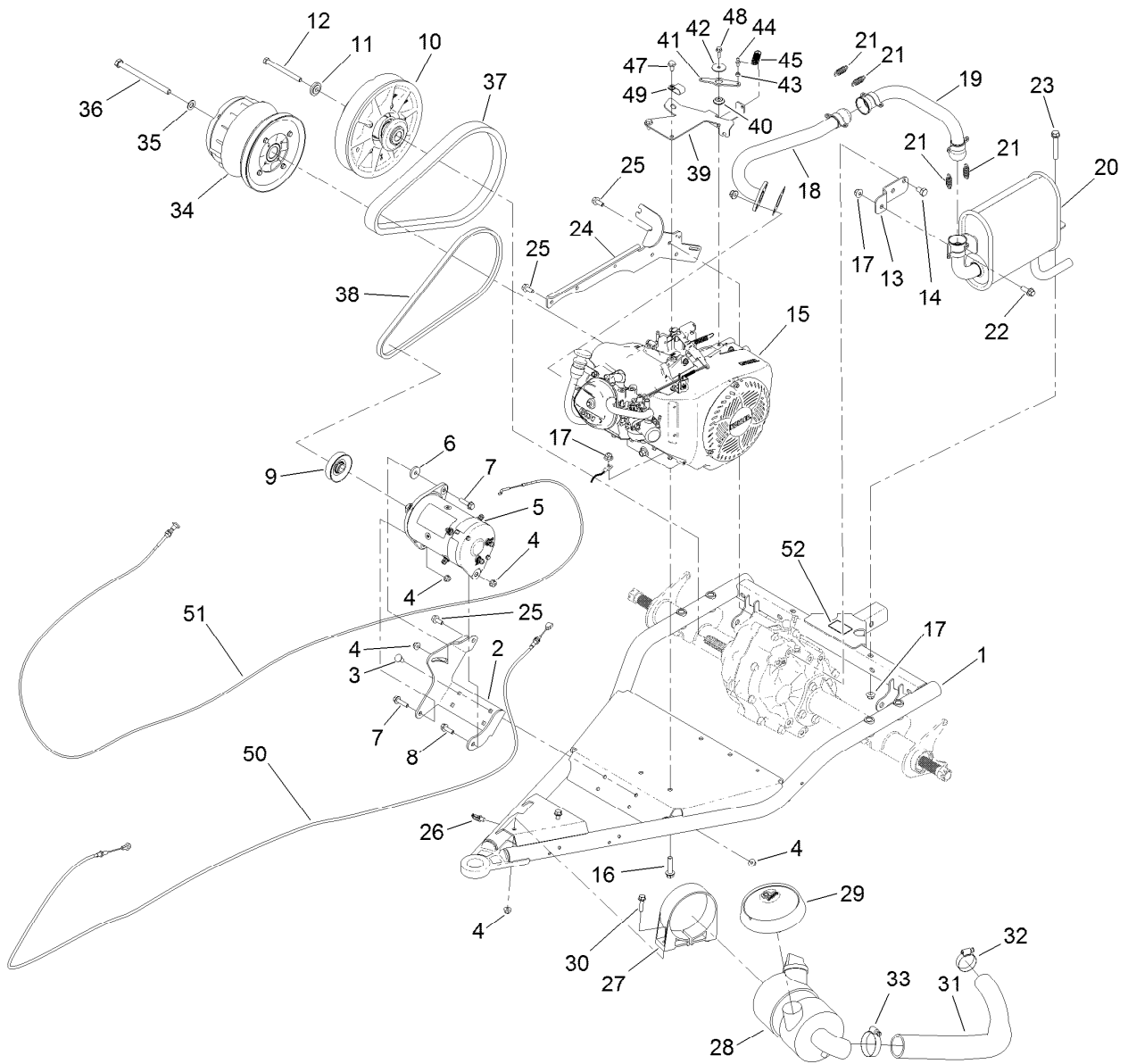
<i>Ref.</i>	<i>Part Number</i>	<i>Qty.</i>	<i>Description</i>
1		1	Cargo Bed And Tailgate ASM ●
1:2	132-0841	1	Tailgate
1:3	133-7100	2	Screw-Shoulder, Bh (Torx)
1:4	3290-456	2	Washer-Belleville
1:5	133-7146	2	Plug-Tailgate, Anti-Rattle
2	115-7739	1	Decal-No Riders

● Not serviced separately



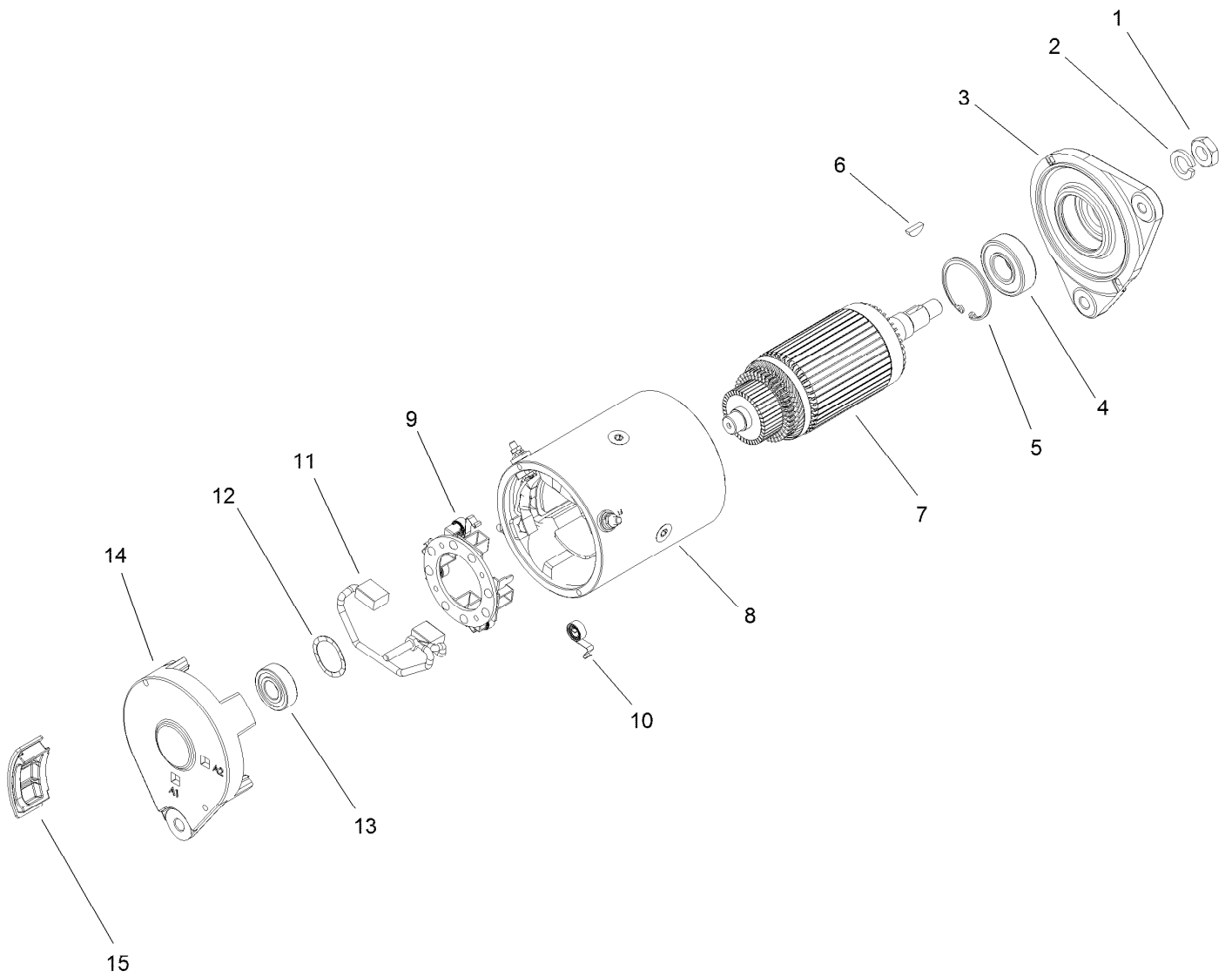
Engine Assembly

Ref.	Part Number	Qty.	Description	Ref.	Part Number	Qty.	Description
1	131-8520-03	1	Swing Arm ASM	22	3234-42	1	Screw-HHF
2	131-8503-03	1	Bracket-Starter/Generator	23	3234-39	1	Screw-HHF
3	3230-23	4	Screw-CARR	24	131-8501-03	1	BAR-Spanner
4	104-8300	9	Nut-Flange, NI	25	95-4184	6	Screw-HHF
5	131-8444	1	Starter/Generator ASM	26	32180-030	1	Clip-Tie
6	65-8270	1	Washer	27	95-5806	1	Bracket-Mounting
7	119-4036	2	Screw-HHF	28	99-7120	1	Air Cleaner ASM
8	3234-29	1	Screw-HHF	29	120-4848	1	Hood-Inlet, Air
9	121-6277	1	Pulley-Drive	30	3234-36	2	Screw-HHF
10	119-6011	1	Secondary Clutch ASM	31	131-8489	1	Hose-Intake, Air
11	104-6563	1	Washer-Stepped	32	2412-111	1	Clamp
12	119-0723	1	Screw-HH, Lock	33	2412-92	1	Clamp-Hose
13	131-8329	1	Bracket-Muffler	34	131-8500	1	Primary Clutch ASM
14	70-8470	2	Screw-HH	35	3256-25	1	Washer-Flat
15	131-8502	1	Engine-Kohler, Ch440	36	131-8521	1	Screw-HH
16	3234-19	4	Screw-HHF	37	131-8567	1	Belt-Variable
17	104-8301	6	Nut-Flange, NI	38	94-8803	1	V-Belt, Impeller
18	131-8510	1	Manifold-Exhaust	39	131-8505	1	Bracket-Throttle
19	131-8332	1	Intermediate Pipe ASM	40	131-8524	1	Bushing-Flange
20	131-8334	1	Muffler ASM	41	131-8504	1	Lever-Throttle
21	104-6478	4	Spring-Extension	42	3256-55	1	Washer-Flat



Engine Assembly (continued)

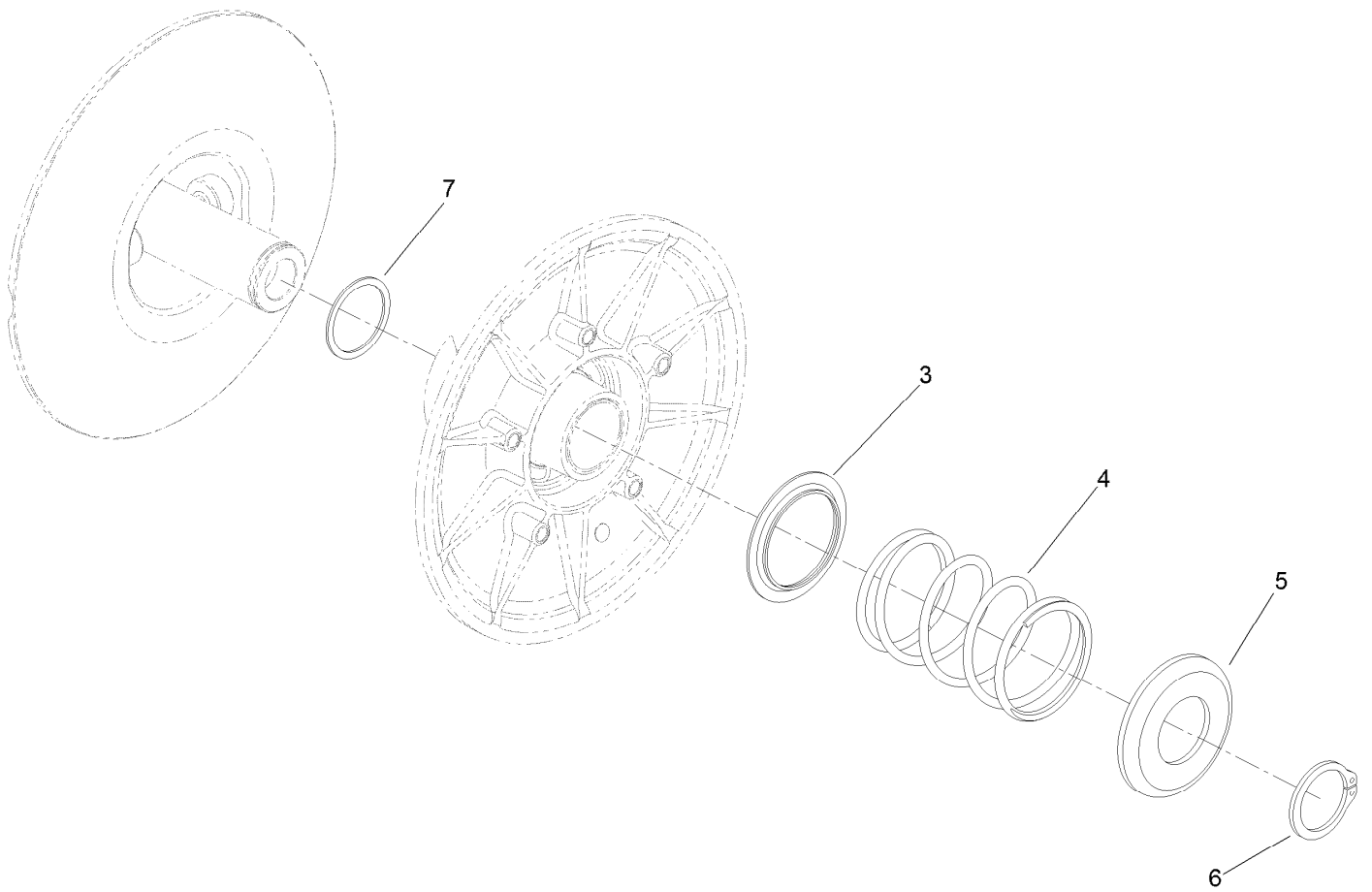
<i>Ref.</i>	<i>Part Number</i>	<i>Qty.</i>	<i>Description</i>	<i>Ref.</i>	<i>Part Number</i>	<i>Qty.</i>	<i>Description</i>
43	110-2619	1	Keeper-Spring	49	2412-105	1	Clamp-Tube, Double
44	99-7847	1	Ball-Stud	50	127-8860	1	Cable-Accelerator
45	71-5470	1	Spring-Brake	51	131-8540	1	Cable-Choke
47	33104-016	2	Screw-HHF	52	131-8598	1	Decal-Rating, Hitch
48	33103-020	1	Screw-HHF				



Starter Generator Assembly No. 131-8444

Ref.	Part Number	Qty.	Description
1	119-9651	1	Nut
2	119-9652	1	Washer-Lock
3	133-0599	1	Head-Drive End
4	119-9655	1	Bearing
5	119-9656	1	Ring-Retaining
6	119-9657	1	Key-Woodruff
7	119-9658	1	Armature ASM
8		1	Frame And Field Assembly ●
9	119-9661	1	Brush Box ASM
10	119-9660	4	Spring-Brush
11	119-9659	1	Brush Lead And Terminal Service Kit
12	119-9662	1	Washer-Wave
13	119-9663	1	Bearing
14		1	Head-End, Cummutator ●
15	133-0600	4	Plug-Rubber

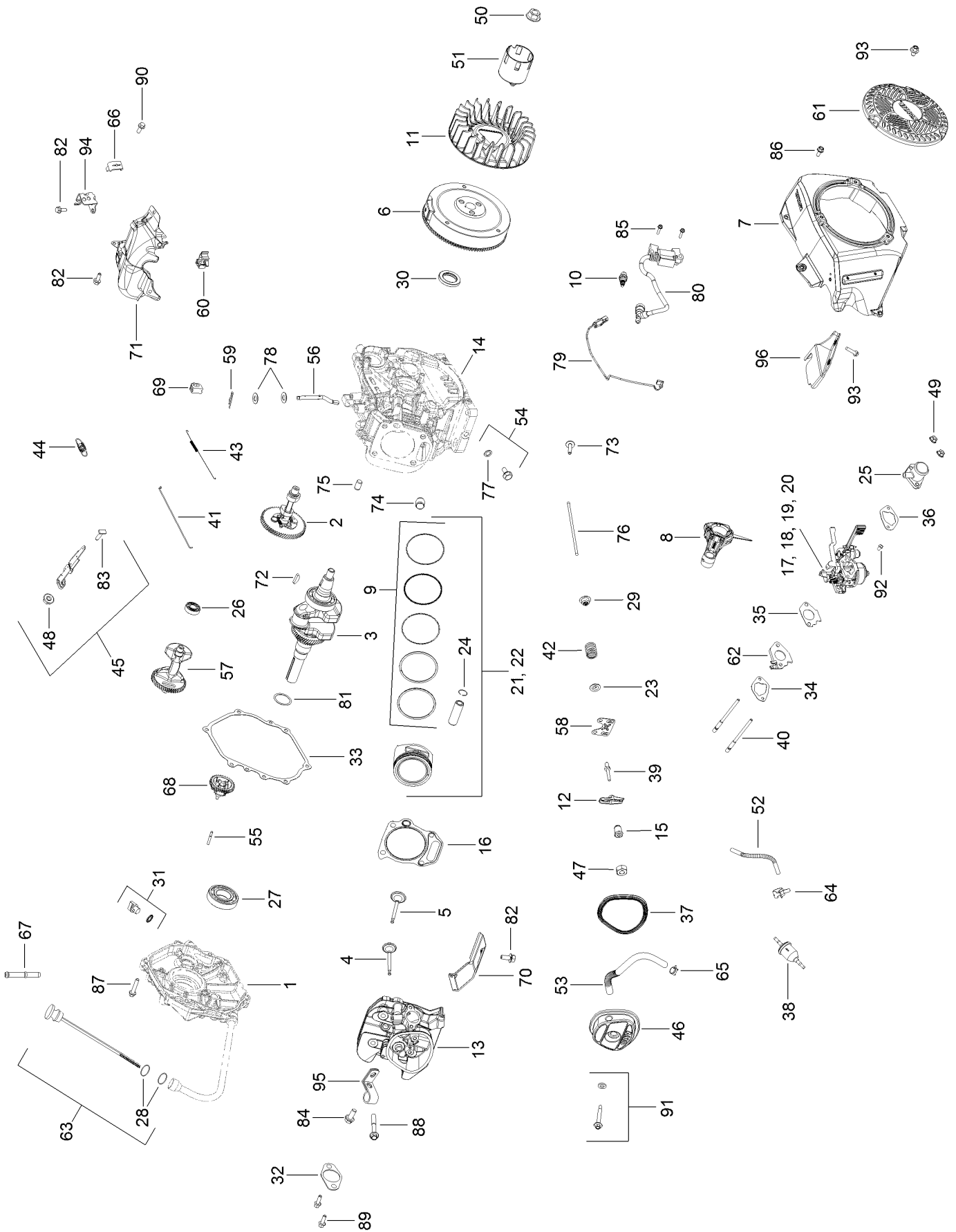
● Not serviced separately



Secondary Clutch Assembly No. 119-6011

<i>Ref.</i>	<i>Part Number</i>	<i>Qty.</i>	<i>Description</i>
3	119-0809	1	Cup-Spring Retainer, Inner
4	119-9360	1	Spring-Compression, Black/Almond
5	119-0810	1	Cup-Spring Retainer, Outer
6	119-0811	1	Ring-Retaining
7	119-6018	1	Shim-Thrust

Engine Assembly No. 131-8502



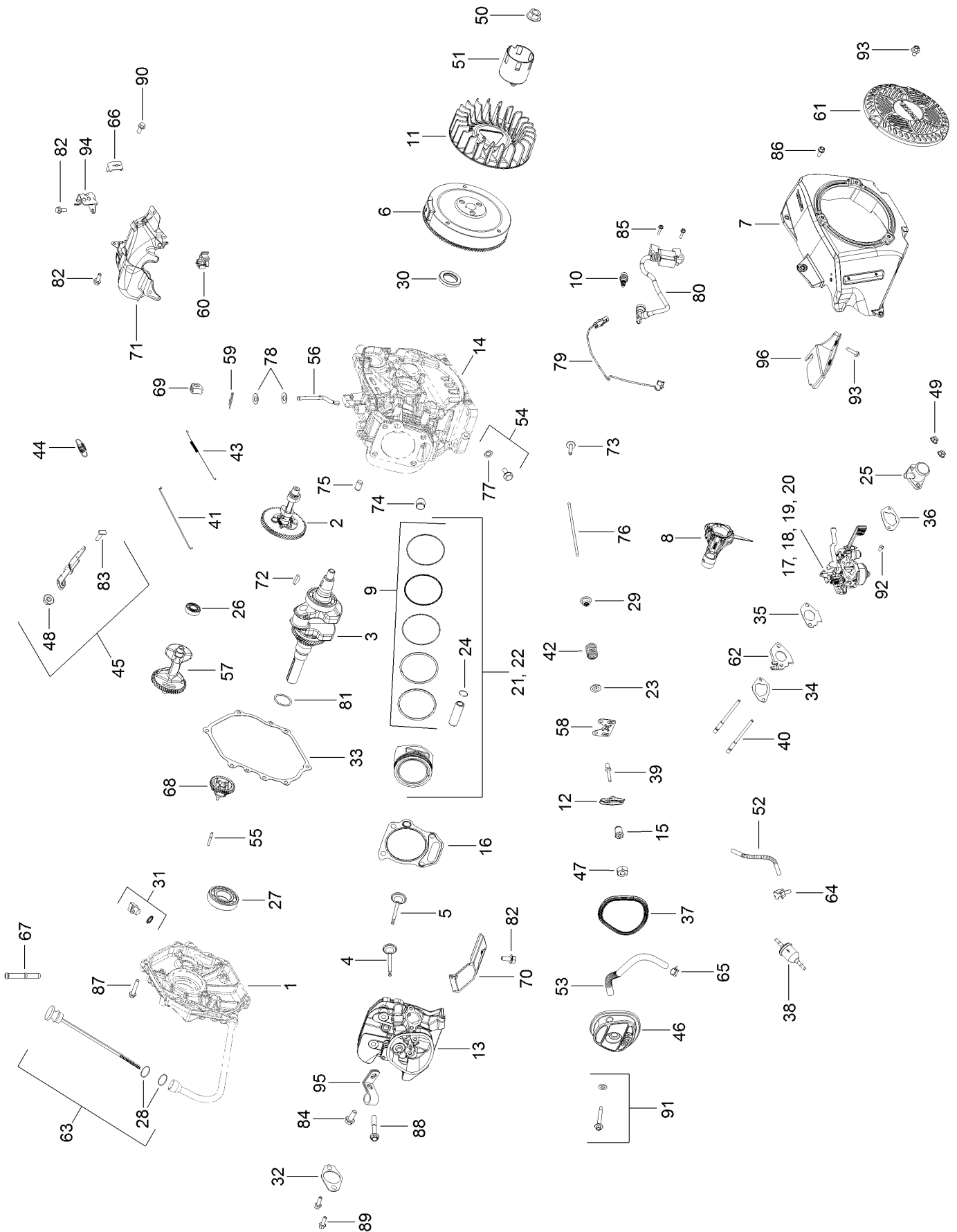
Engine Assembly No. 131-8502 (continued)

Ref.	Part Number	Qty.	Description	Ref.	Part Number	Qty.	Description
1		1	Plate-Closure ■	19:1:1		1	Gasket (Insulator To Head) ●■
2	136-4908	1	Camshaft ASM	19:1:2	136-4925	1	Gasket (Carb To Insulator) ●
3	136-4909	1	Crankshaft ASM	19:1:3	136-4926	1	Gasket-Cleaner, Air ●
4	136-4910	1	Valve-Exhaust	19:2		1	Needle/Float ASM ●■
5	136-4911	1	Valve-Intake	19:3		1	Pin-Hinge ●■
6	136-4914	1	Flywheel	19:4		1	O-Ring (Bowl Screw) ●■
7	136-4915	1	Blower Housing Kit	19:5		2	O-Ring (Idle Jet) ●■
8	136-4928	1	Connecting Rod ASM	19:6		1	O-Ring (Sediment Bowl) ●■
9	136-4937	1	Ring Set	19:7		1	O-Ring ●■
10	130-8380	1	Spark Plug	20	133-7277	1	Carburetor-Complete
11	136-4949	1	Fan-Flywheel	20:1		1	Carburetor Asm ●■
12	136-4953	2	Arm-Rocker	20:2	136-4924	1	Intake Gasket Kit ●
13	136-4961	1	Cylinder Head Kit	20:2:1		1	Gasket (Insulator To Head) ●■
13:1		1	Head-Cylinder ●■	20:2:2	136-4925	1	Gasket (Carb To Insulator) ●
13:2	136-4929	2	Stud-Intake ●	20:2:3	136-4926	1	Gasket-Cleaner, Air ●
14		1	Crankcase ■	21	136-4977	1	Piston W/Ring Set (STD)
15	136-4907	2	Pivot-Arm, Rocker	21:1		1	Piston (STD) ●■
16	136-4975	1	Head Gasket Kit	21:2	136-4937	1	Ring Set ●
16:1		1	Gasket-Head ●■	21:3	136-4913	2	Retainer-Piston ●
16:2	136-4924	1	Intake Gasket Kit ●	21:4		1	Wrist Pin ●■
16:2:1		1	Gasket (Insulator To Head) ●■	22	136-4978	1	Piston Kit (0.25 Os)
16:2:2	136-4925	1	Gasket (Carb To Insulator) ●	22:1		1	Piston (0.25 Os) ●■
16:2:3	136-4926	1	Gasket-Cleaner, Air ●	22:2		1	Ring Set (0.25 Os) ●■
16:3	136-4922	1	Gasket-Muffler ●	22:3	136-4913	2	Retainer-Piston ●
17	133-7275	1	High Altitude Kit (4000 To 8000 Ft)	22:4		1	Pin-Wrist ●■
17:1		1	Jet-Main (4000 To 8000 Ft) ●■	23	136-4912	2	Retainer-Spring, Valve
17:2	136-4974	1	Carburetor Repair Kit ●	24	136-4913	1	Retainer-Piston
17:2:1	136-4924	1	Intake Gasket Kit ●	25	136-4916	1	Adapter-Inlet, Air
17:2:1:1		1	Gasket (Insulator To Head) ●■	26	136-4917	2	Bearing-Shaft, Balance
17:2:1:2	136-4925	1	Gasket (Carb To Insulator) ●	27	136-4918	2	Bearing-Crankshaft
17:2:1:3	136-4926	1	Gasket-Cleaner, Air ●	28	136-4947	2	O-Ring (Dipstick Cap)
17:2:2		1	Needle/Float ASM ●■	29	136-4919	2	Seal-Stem, Valve
17:2:3		1	Pin-Hinge ●■	30	136-4920	2	Seal-Crankshaft
17:2:4		1	O-Ring (Bowl Screw) ●■	31	136-4952	1	Oil Fill Cap ASM
17:2:5		2	O-Ring (Idle Jet) ●■	31:1		1	Oil Fill Cap ●■
17:2:6		1	O-Ring (Sediment Bowl) ●■	31:2		1	Gasket ●■
17:2:7		1	O-Ring ●■	32	136-4922	1	Gasket-Muffler
18	133-7276	1	High Altitude Kit (8000 Ft Plus)	33	136-4923	1	Gasket-Plate, Closure
18:1		1	Jet-Main (8000 Ft Plus) ●■	34	136-4924	1	Intake Gasket Kit
18:2	136-4974	1	Carburetor Repair Kit ●	34:1		1	Gasket (Insulator To Head) ●■
18:2:1	136-4924	1	Intake Gasket Kit ●	34:2	136-4925	1	Gasket (Carb To Insulator) ●
18:2:1:1		1	Gasket (Insulator To Head) ●■	34:3	136-4926	1	Gasket-Cleaner, Air ●
18:2:1:2	136-4925	1	Gasket (Carb To Insulator) ●	35	136-4925	1	Gasket (Carb To Insulator)
18:2:1:3	136-4926	1	Gasket-Cleaner, Air ●	36	136-4926	1	Gasket-Cleaner, Air
18:2:2		1	Needle/Float ASM ●■	37	136-4927	1	Gasket-Cover, Valve
18:2:3		1	Pin-Hinge ●■	38	131-8588	1	Filter-Fuel (75 Micron Gravy Feed)
18:2:4		1	O-Ring (Bowl Screw) ●■	39	136-4900	2	Stud-Arm, Rocker
18:2:5		2	O-Ring (Idle Jet) ●■	40	136-4929	2	Stud-Intake
18:2:6		1	O-Ring (Sediment Bowl) ●■	41	136-4930	1	Linkage-Governor
18:2:7		1	O-Ring ●■	42	136-4931	2	Spring-Valve
19	136-4974	1	Carburetor Repair Kit	43	136-4932	1	Spring-Linkage
19:1	136-4924	1	Intake Gasket Kit ●	44	136-4933	1	Spring-Governor
				45	136-4934	1	Governor Lever Kit
				45:1		1	Lever-Governor ●■

● Not illustrated

■ Not serviced separately

Engine Assembly No. 131-8502 (continued)

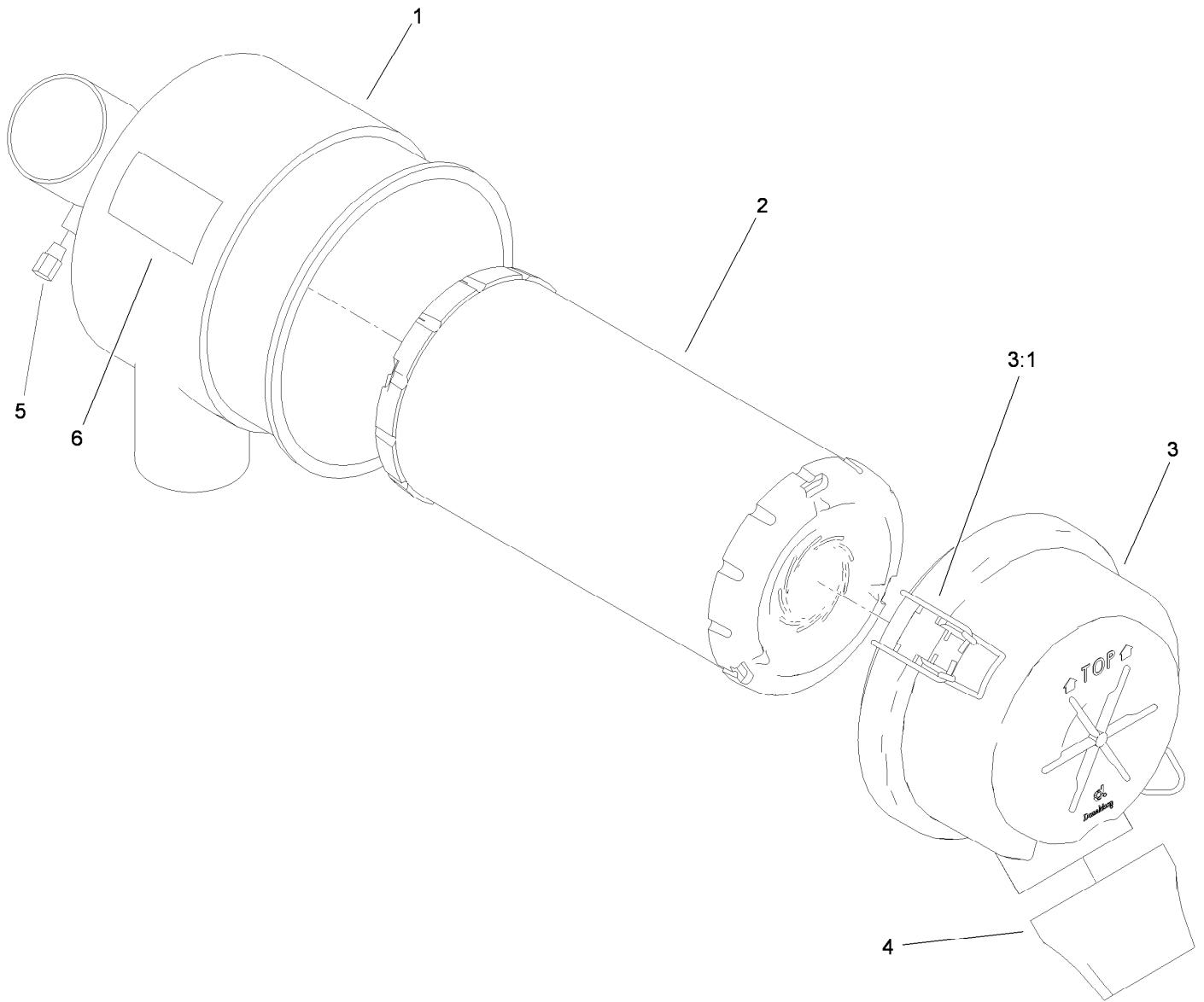


Engine Assembly No. 131-8502 (continued)

<i>Ref.</i>	<i>Part Number</i>	<i>Qty.</i>	<i>Description</i>	<i>Ref.</i>	<i>Part Number</i>	<i>Qty.</i>	<i>Description</i>
47	136-4901	2	Nut-HJ	70	136-4959	1	Shield-Head, Cylinder
48	136-4902	1	Nut-HF	71	136-4960	1	Shield-Heat, Upper
49	136-4903	2	Nut-HF, Lock	72	136-4906	1	Key-Flywheel
50	136-4936	1	Nut-Flywheel	73	136-4963	2	Lifter-Valve
51	136-4938	1	Cup-Drive, Starter	74	136-4964	2	Pin-Dowel, Cylinder Head
52	136-4939	1	Hose-Fuel	75	136-4965	2	Pin-Dowel
53	136-4962	1	Hose-Breather	76	136-4966	2	Rod-Push
54	136-4942	2	Drain Plug Kit	77	136-4967	2	Washer-Plug, Drain
54:1		1	Plug-Drain ●■	78	136-4968	2	Washer-Flat
54:2	136-4967	1	Washer-Plug, Drain ●	79	136-4969	1	Lead (Ground To Kill)
55	136-4943	1	Shaft-Gear, Governor	80	136-4970	1	Module-Ignition
56	136-4944	1	Shaft-Cross, Governor	81	136-4971	1	Shim Kit
57	136-4945	1	Shaft-Balance	82	136-4979	5	Screw-HF
58	136-4946	1	Plate-Guide, Pushrod	83	136-4980	1	Screw-Rect Head
59	136-4904	1	Clip-Shaft, Governor	84	136-4991	1	Screw-HF
60	136-4948	1	Clip-Harness, Wire	85	136-4981	2	Screw
61	136-4950	1	Screen-Housing, Blower	86	136-4982	5	Screw
62	136-4951	1	Insulator Kit	87	136-4983	7	Screw-Plate, Closure
62:1		1	Insulator ●■	88	136-4984	4	Screw-CYL HD, HF
62:2	136-4924	1	Intake Gasket Kit ●	89	136-4985	2	Screw
62:2:1		1	Gasket (Insulator To Head) ●■	90	136-4986	1	Screw-Hex, Phillips
62:2:2	136-4925	1	Gasket (Carb To Insulator) ●	91	136-4988	1	Screw (Valve Cover Seal ASM)
62:2:3	136-4926	1	Gasket-Cleaner, Air ●	91:1		1	Screw-Cover, Valve ●■
63	136-4921	1	Dipstick ASM	91:2		1	Gasket-Screw, Valve Cover ●■
63:1		1	Dipstick ●■	92	136-4989	1	Screw-Drain, Bowl
63:2		2	O-Ring (Dipstick Cap) ●■	93	136-4987	5	Screw-HF
64	136-4905	2	Clamp-Line, Fuel	94	136-4940	1	Remote Choke Bracket ASM
65	136-4990	1	Clamp-Hose	95	136-4941	1	Bracket-Tube, Dipstick
66	136-4954	1	Clamp-Cable	96	136-4958	1	Flywheel Finger Guard ASM
67	136-4955	1	Fitting-Pump, Pulse				
68	136-4956	1	Governor ASM				
69	136-4957	1	Grommet-Crankcase				

● Not illustrated

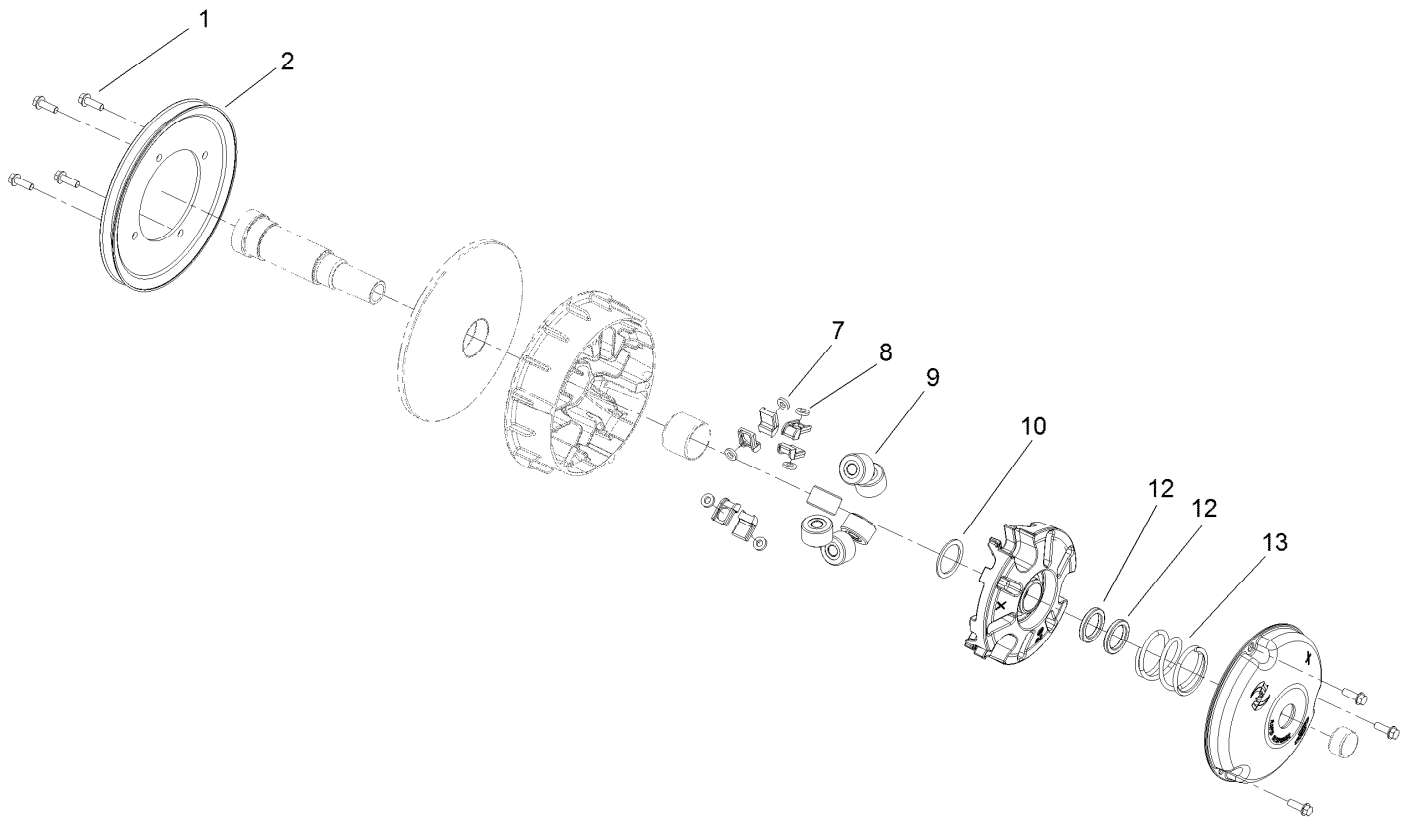
■ Not serviced separately



Air Cleaner Assembly No. 99-7120

Ref.	Part Number	Qty.	Description
1		1	Body ●
2	108-3811	1	Filter-Air
3	94-3652	1	Cover ASM
3:1	1-643283	2	Latch-Cleaner, Air
4	87-9400	1	Valve-Vacuator
5		1	Plug ●
6		1	Marking ●

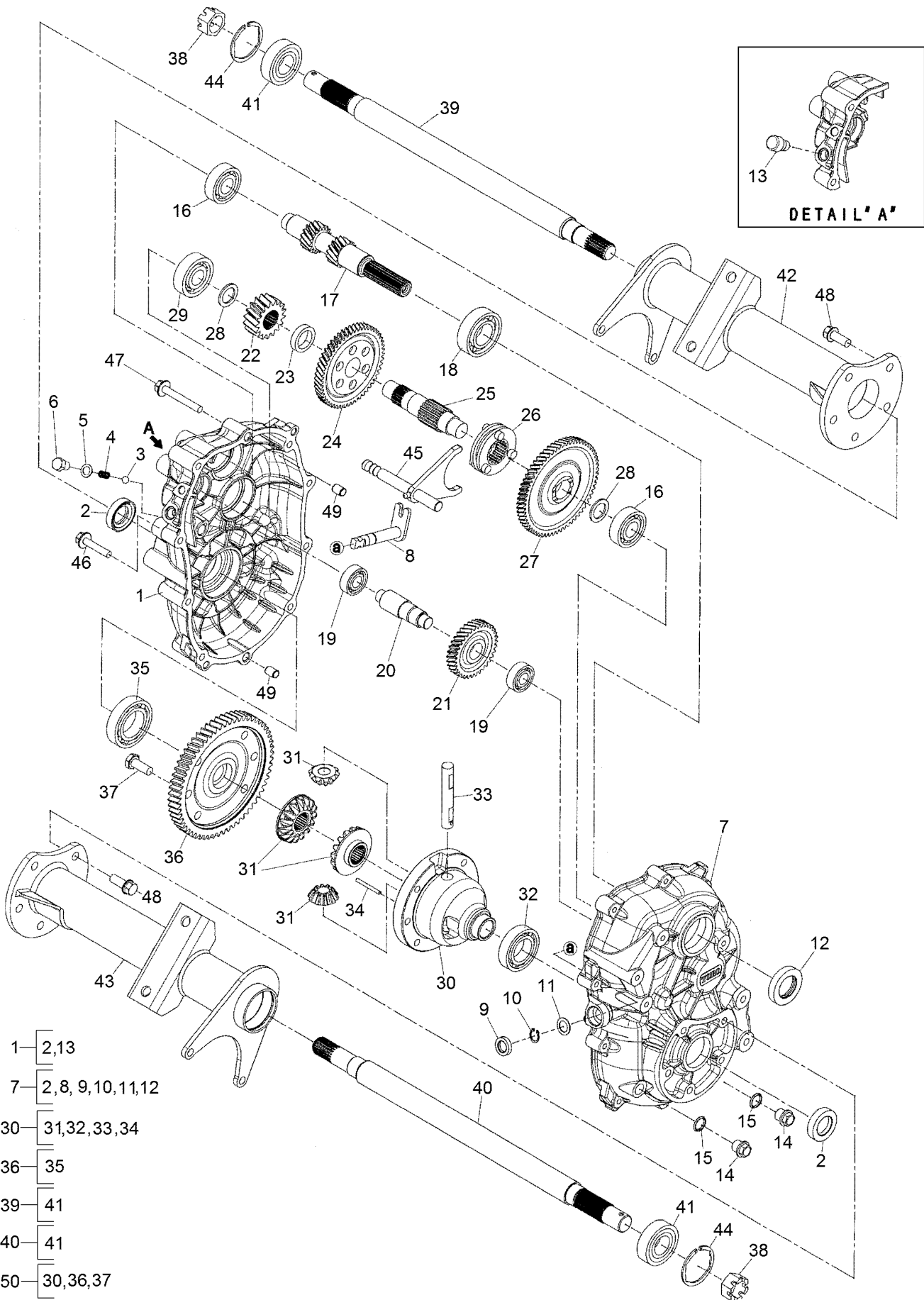
● Not serviced separately



Primary Clutch Assembly No. 131-8500

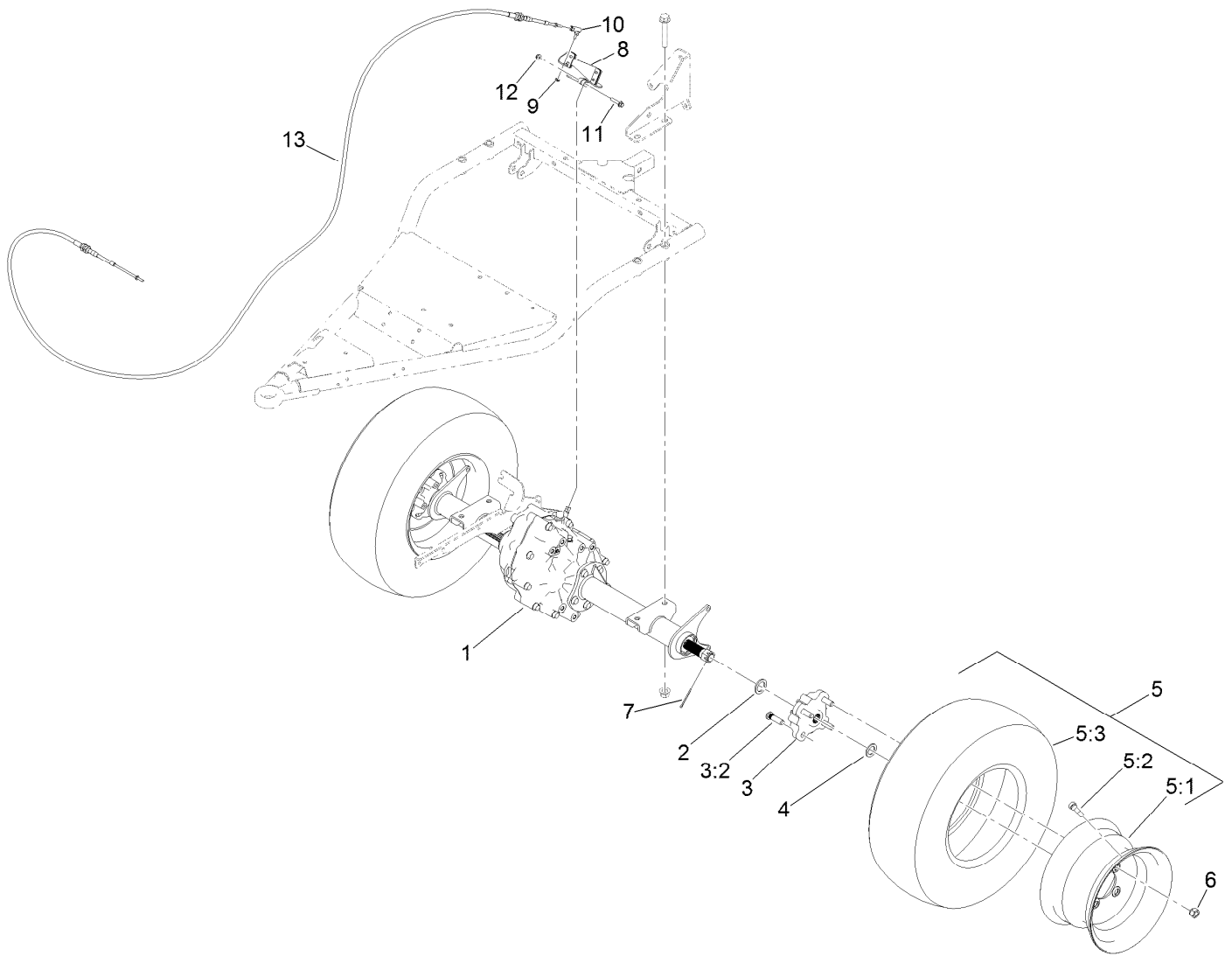
<i>Ref.</i>	<i>Part Number</i>	<i>Qty.</i>	<i>Description</i>
1	49-2040	7	Screw-HWHTF
2	119-0813	1	Pulley-Primary
7	127-8689	6	Button-Primary, Torque
8	127-8690	6	Plug-Button, Torque
9	119-0804	6	Weight-Roller
10	119-0812	1	Shim-Spider
12	119-0807	2	Shim-Limiter
13	119-9532	1	Spring-Red/White

Transaxle Assembly No. 131-3486



Transaxle Assembly No. 131-3486 (continued)

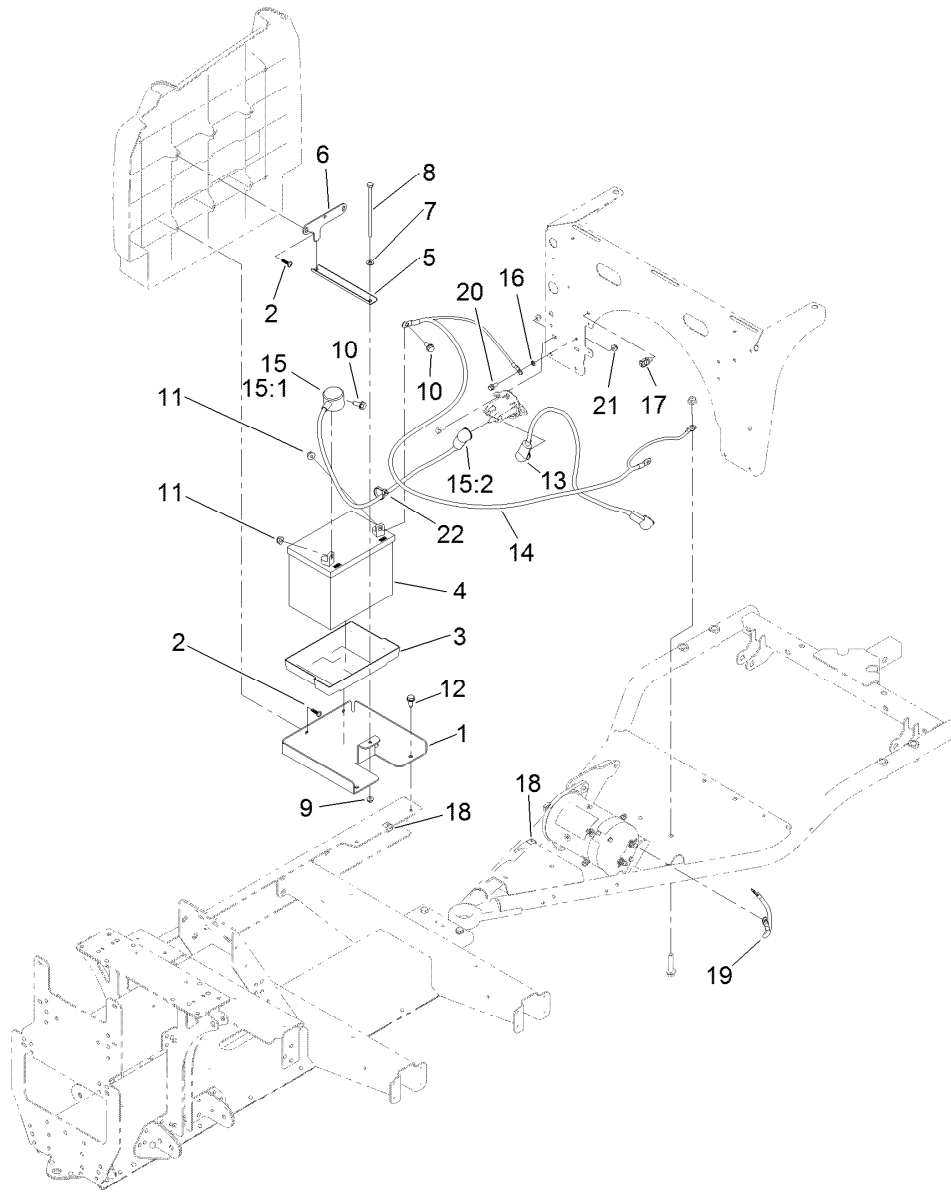
<i>Ref.</i>	<i>Part Number</i>	<i>Qty.</i>	<i>Description</i>	<i>Ref.</i>	<i>Part Number</i>	<i>Qty.</i>	<i>Description</i>
1	133-2400	1	Case-LH	26	133-2419	1	Clutch-Pin
2	133-2401	2	Seal-Oil	27	133-2420	1	Gear
3	104-1660	1	Ball-Steel	28	133-2421	2	Spacer
4	104-1661	1	Spring	29	133-2422	1	Bearing-Ball
5	104-1662	1	Gasket	30	133-2423	1	Case-Differential
6	104-1663	1	Bolt	31	133-2424	1	Set-Gear, Differential
7	133-2402	1	Case-RH	32	133-2425	1	Bearing-Ball
8	133-2403	1	Shaft-Select	33	104-1644	1	Shaft-Differential
9	133-2446	1	Seal-Oil	34	104-1645	1	Pin
10	133-2404	1	Ring-Snap	35	133-2426	1	Bearing-Ball
11	133-2405	1	Spacer	36	133-2427	1	Gear
12	104-1607	1	Seal-Oil	37	104-1649	6	Bolt
13	133-2406	1	Breather-Air	38	133-2428	2	Nut-Castle
14	133-2407	2	Plug-Drain, Oil	39	133-2429	1	Shaft-Axle, LH
15	133-2408	2	Gasket	40	133-2430	1	Shaft-Axle, RH
16	133-2409	2	Bearing-Ball	41	133-2431	2	Bearing-Ball
17	133-2410	1	Shaft-Input	42	133-2432	1	Case-Axle, LH
18	133-2411	1	Bearing-Ball	43	133-2433	1	Case-Axle, RH
19	133-2412	2	Bearing-Ball	44	133-2434	2	Ring-Snap
20	133-2413	1	Shaft-Counter	45	133-2435	1	Shaft-Shift
21	133-2414	1	Gear	46	133-2436	1	Bolt-Flange
22	133-2415	1	Gear	47	133-2437	9	Bolt-Flange
23	133-2416	1	Collar	48	133-2438	10	Bolt-Flange
24	133-2417	1	Gear	49	133-2439	2	Pipe-Knock
25	133-2418	1	Shaft-Center	50	133-2440	1	Differential ASM



Rear Wheel and Transaxle Assembly

Ref.	Part Number	Qty.	Description
1	131-3486	1	Transaxle
2	131-8570	2	Spacer-Hardened
3	127-8848	2	Rear Hub ASM
3:2	10-6830	4	Stud-Type, Drive
4	3-7898	2	Washer-Thrust
5	131-8319	2	Tire/Wheel ASM
5:1	131-8317	1	Wheel
5:2	232-27	1	Stem-Valve
5:3	131-8318	1	Tire

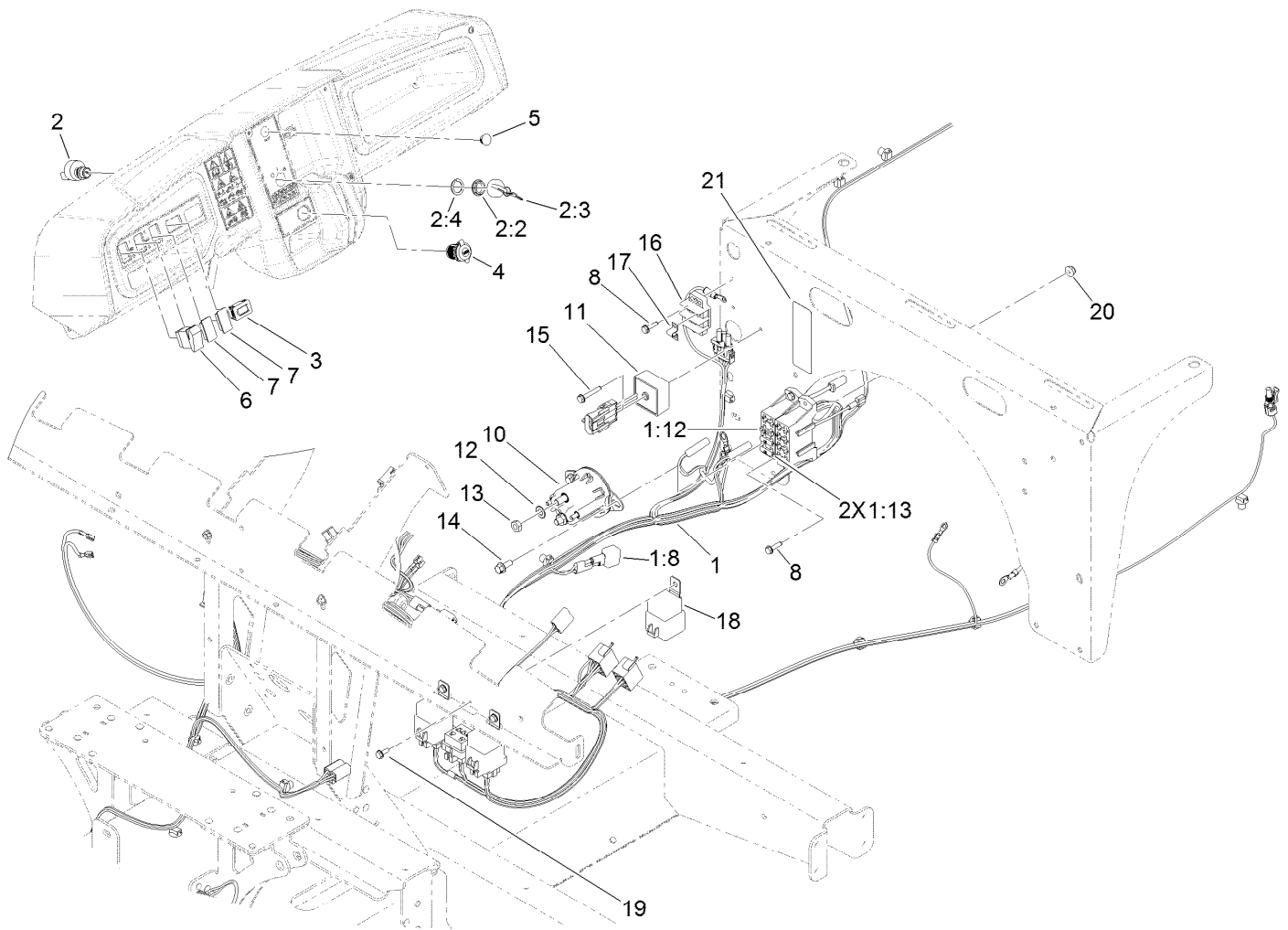
Ref.	Part Number	Qty.	Description
6	242-50	8	Nut-Lug
7	1-806800	2	Pin-Cotter
8	133-7260-03	1	Shift Arm ASM
9	3296-27	1	Nut-Lock, NI
10	2411-38	1	Joint-Ball
11	127-8639	1	Screw-HHF
12	104-7201	1	Nut-Flange, NI
13	127-8897	1	Cable-Shift



Battery and Cable Assembly

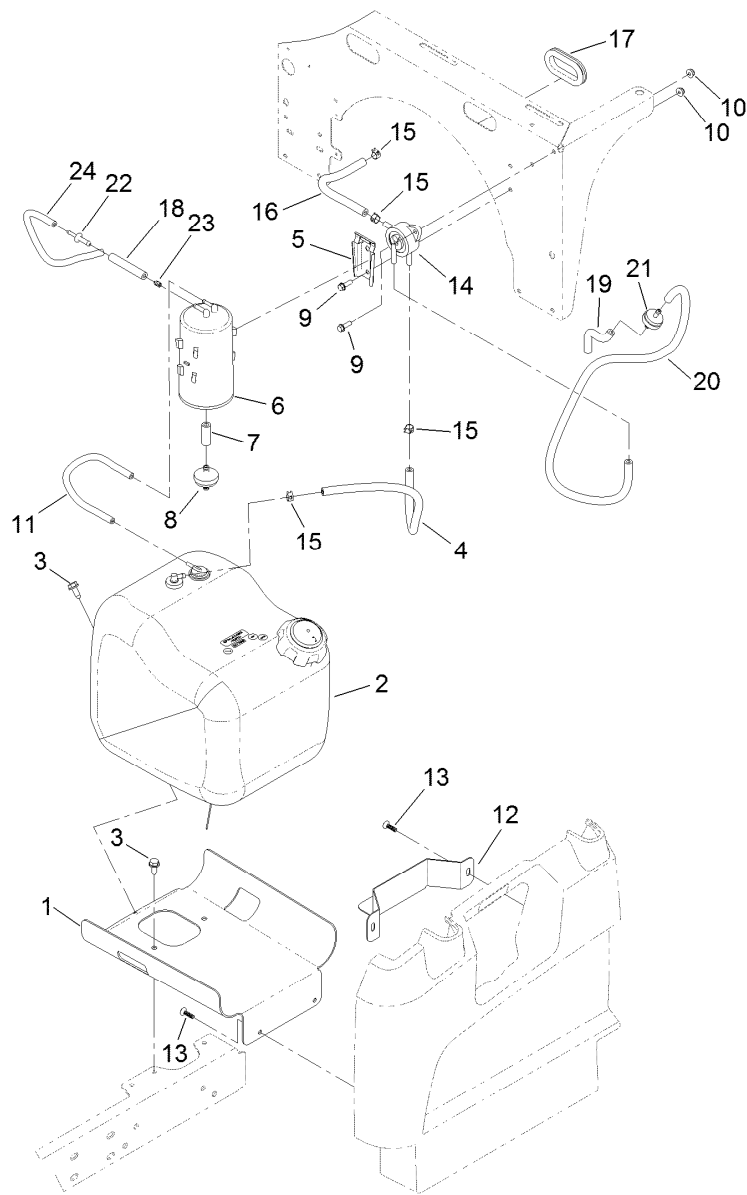
<i>Ref.</i>	<i>Part Number</i>	<i>Qty.</i>	<i>Description</i>	<i>Ref.</i>	<i>Part Number</i>	<i>Qty.</i>	<i>Description</i>
1	127-7810-03	1	Base-Battery	15	109-7621	1	Positive Battery Cable ASM
2	120-2349	4	Screw	15:1	1-543393	1	Insulator-Solenoid
3	106948	1	Tray-Battery	15:2	109-2407	1	Insulator-Battery
4	104-8162	1	Battery-Dry	16	3255-7	1	Washer-Lock/EXT
5	127-7816-03	1	Channel-Clamp, Battery	17	32180-030	1	Clip-Tie
6	127-7814-03	1	Plate-Clamp, Battery	18	32180-082	3	Clip-Edge W/Tie, Perpendicular
7	3256-22	1	Washer-Flat	19	99-7403	1	Cable-Negative
8	321-47	1	Screw-HH	20	3234-33	1	Screw-HHF
9	104-7201	1	Nut-Flange, NI	21	104-7201	1	Nut-Flange, NI
10	3234-5	2	Screw-HHF	22	3290-378	1	Tie-Cable
11	104-8300	2	Nut-Flange, NI	99	107-0392	1	Protection-Terminal, Aerosol ●
12	32144-70	2	Screw-HWHTF				
13	122-0639	1	Battery-Cable, Positive ASM				
14	122-0638	1	Battery-Cable, Negative ASM				

● Not illustrated



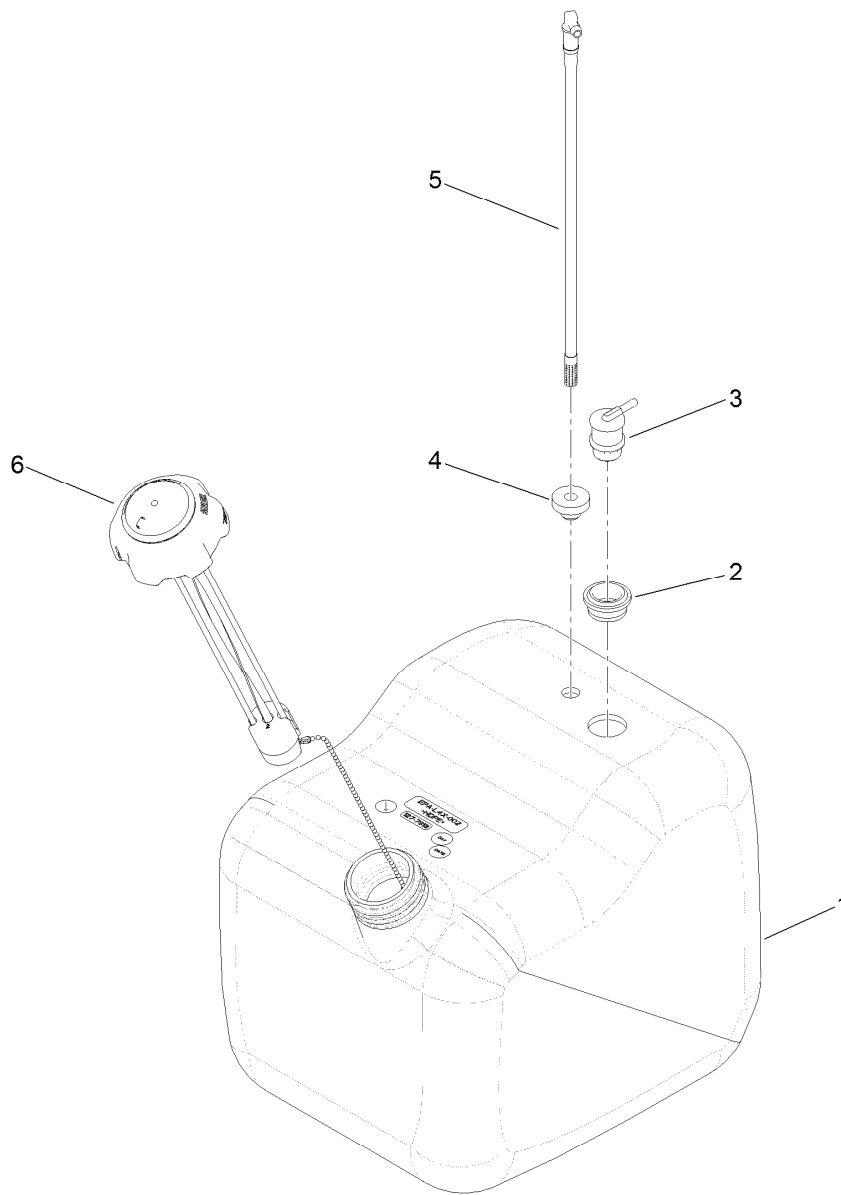
Electrical Assembly

<i>Ref.</i>	<i>Part Number</i>	<i>Qty.</i>	<i>Description</i>	<i>Ref.</i>	<i>Part Number</i>	<i>Qty.</i>	<i>Description</i>
1	122-0225	1	Harness-Wire	8	100-4351	4	Screw-HWH
1:8	100-4918	1	Diode-Over Molded	10	114-3315	1	Solenoid-12 Vdc
1:12	109355	1	Fuse-Blade, 15 Amp	11	119-9492	1	Regulator-Voltage
1:13	218-578	2	Fuse-Blade, 10 Amp	12	3255-8	2	Washer-Lock
2	106-5269	1	Ignition Switch ASM	13	3220-2	2	Nut-Jam
2:2	108-8660	1	Nut-Mounting	14	3234-33	2	Screw-HHF
2:3	106-5270	1	Ignition Key Set	15	100-4352	1	Screw-HWH
2:4	108-8659	1	Washer-Backup	16	42862	1	Block-Terminal, Ground
3	120-2244	1	Hourmeter	17	42863	1	Strip-Jumper
4	131-8388	1	Socket-USB	18	99-7430	3	Relay
5	94-5627	1	Plug	19	32144-1	3	Screw-Taptite
6	95-8999	1	Switch	20	104-7201	2	Nut-Flange, NI
7	99-7420	2	Plug-Hole	21	131-8552	1	Decal-Fuse Block, 12V



Fuel System Assembly

<i>Ref.</i>	<i>Part Number</i>	<i>Qty.</i>	<i>Description</i>	<i>Ref.</i>	<i>Part Number</i>	<i>Qty.</i>	<i>Description</i>
1	127-7739-03	1	Mount-Tank, Fuel	13	120-2349	4	Screw
2	127-7849	1	Fuel Tank ASM	14	131-8526	1	Pump-Fuel
3	32144-70	3	Screw-HWHTF	15	2412-98	4	Clamp-Hose
4	114-4428	1	Hose-Fuel	16	109-0282	1	Hose-Fuel
5	114-0292	1	Bracket-Canister, Carbon	17	240-12	1	Grommet
6	127-8685	1	Canister-Carbon	18	114-3765	1	Hose-Fuel
7	106-5317	1	Hose-Fuel	19	109-0678	1	Hose-Fuel
8	115-7854	1	Filter-Fuel, Inline	20	109-3491	1	Hose-Fuel
9	32105-15	4	Screw-HWH	21	56-6360	1	Filter-Fuel
10	104-7201	4	Nut-Flange, NI	22	117-5399	1	Adaptor-Orifice
11	115-4735	1	Hose-Fuel	23	120-2038	1	Cartridge-Valve, Check
12	127-7845-03	1	Bracket-Tank, Fuel	24	110-8181	1	Hose-Fuel



Fuel Tank Assembly No. 127-7849

<i>Ref.</i>	<i>Part Number</i>	<i>Qty.</i>	<i>Description</i>
1	127-7818	1	Tank-Fuel
2	114-0284	1	Grommet
3	114-0285	1	Valve-Rollover
4	46-6560	1	Bushing
5	115-9044	1	Pipe-Stand
6	131-8357	1	Cap-Gauge

Attachments and Accessories

For 07042 Workman GTX Utility Vehicle with Bucket Seat

Product Name	Model/Part
Multi-passenger Kit.....	07133
Bucket Seat Base Kit (2016).....	07134
Bench Seat Base Kit (2016).....	07135
12V Electric Lift Kit.....	07144
Brush Guard Kit.....	07145
Front Hitch Kit, Workman GTX Series Utility Vehicles with Brush Guard.....	07146
Front Hitch Kit, Workman GTX or MDX Series Utility Vehicles without Brush Guard.....	07147
Steel Flat Bed Kit.....	07148
Extended Bed Kit.....	07149
Storage Box Kit.....	07156
Ball Picker Mounting Bracket Kit.....	07157
Brake and Signal Light Kit.....	132-8579
Walk Spreader Mounting Kit.....	07029
6in L-Track Kit.....	07158
2in L-Track Kit.....	07159
Hose Reel Mounting Kit.....	07027
Class 1 Draw Bar Kit.....	133-3095
Aggressive Tire Kit.....	07423
Horn Kit.....	133-3016
Reverse Alarm Kit.....	133-3018
Power Point Kit.....	131-8550
Parking Brake Alarm Kit.....	133-3019
Trash Can Mounting Kit.....	07028
Spark Arrestor Screen Kit.....	133-7109
Bed Rack Kit.....	07031
Cab Kit.....	07142
Canopy Kit.....	07140
Canopy Kit, Multi-passenger Workman GTX Utility Vehicle.....	07141
Mount-Ball.....	133-7116
Road Light and Homologation Kit.....	133-7128
12V Electric Bed Lift Kit.....	07167
Front Spring Kit.....	133-7145
Canopy Mount Kit, Workman GTX Utility Vehicle with Extended Flatbed.....	133-7160
Tire-20 8.00-10.....	116-7333
MVP Kit 400 Hour.....	136-6280
Cab Mount Kit, Workman GTX Utility Vehicle with Extended Flatbed.....	133-7198
Service Hood ASM.....	133-7209
ROPS Kit.....	07032
Crated Finishing Kit.....	07045
Cargo Bed Kit.....	07046
Bench Seat Base Kit.....	07047
Bucket Seat Base Kit.....	07048
Extension Kit.....	07049



Count on it.