



Count on it.

Parts Catalog

**30in TurfMaster Walk-Behind
Lawn Mower**

Model No. 22210—Serial No. 400000000 and Up



Ordering Replacement Parts

To order replacement parts, please supply the part number, the quantity, and the description of each part desired.

Understanding Reference Numbers

Each identified part in an illustration has a reference number. The reference number for a part also appears in the parts list, along with other information about the part.

This catalog uses two special reference number formats, one to indicate parts in a service assembly and another to indicate the quantity of a given part in an illustration.

Service Assembly Reference Numbers

Parts in service assemblies have reference numbers in the form a:b. The a represents the reference number of the entire service assembly and the b represents a sequential number unique to each part within the service assembly.

For example, a wheel assembly might be identified by reference number 6, the tire by 6:1, the valve by 6:2, and the wheel by 6:3. When you order the assembly identified by reference number 6, you receive all parts identified by reference numbers 6:1, 6:2, and 6:3. However, you may also order any part individually. Reference numbers of this type appear in illustration and in parts lists.

Reference Numbers Indicating Quantity

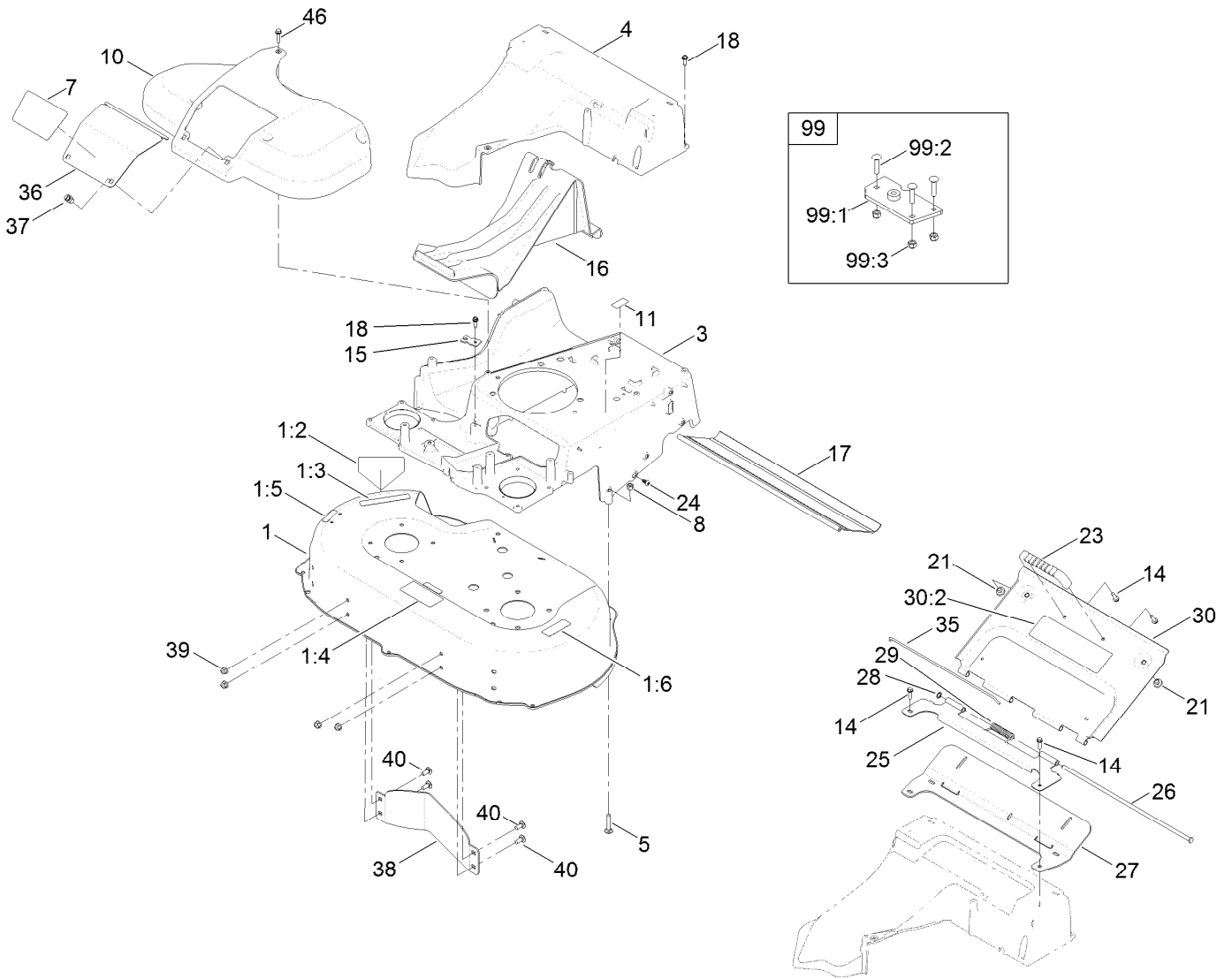
In an illustration, if a reference number indicates more than one part, the reference number has the form nX y. The n represents the quantity of the part, the X is the multiplication symbol, and the y represents the reference number.

For example, in an illustration, the reference number 2X 37 means that two of the parts identified by reference number 37 are indicated.

Contents

Deck, Frame and Chute Assembly	4
Spindle and Blade Assembly	6
Pulleys and Idler Assembly No. 126-7890	8
Side Discharge Chute Assembly	10
Grass Bag Assembly	12
Engine and Fuel Tank Assembly	14
Front Bumper and Wheel Assembly	16
Traction and Height-of-Cut Assembly	18
Handle Assembly	20
Attachments and Accessories	22

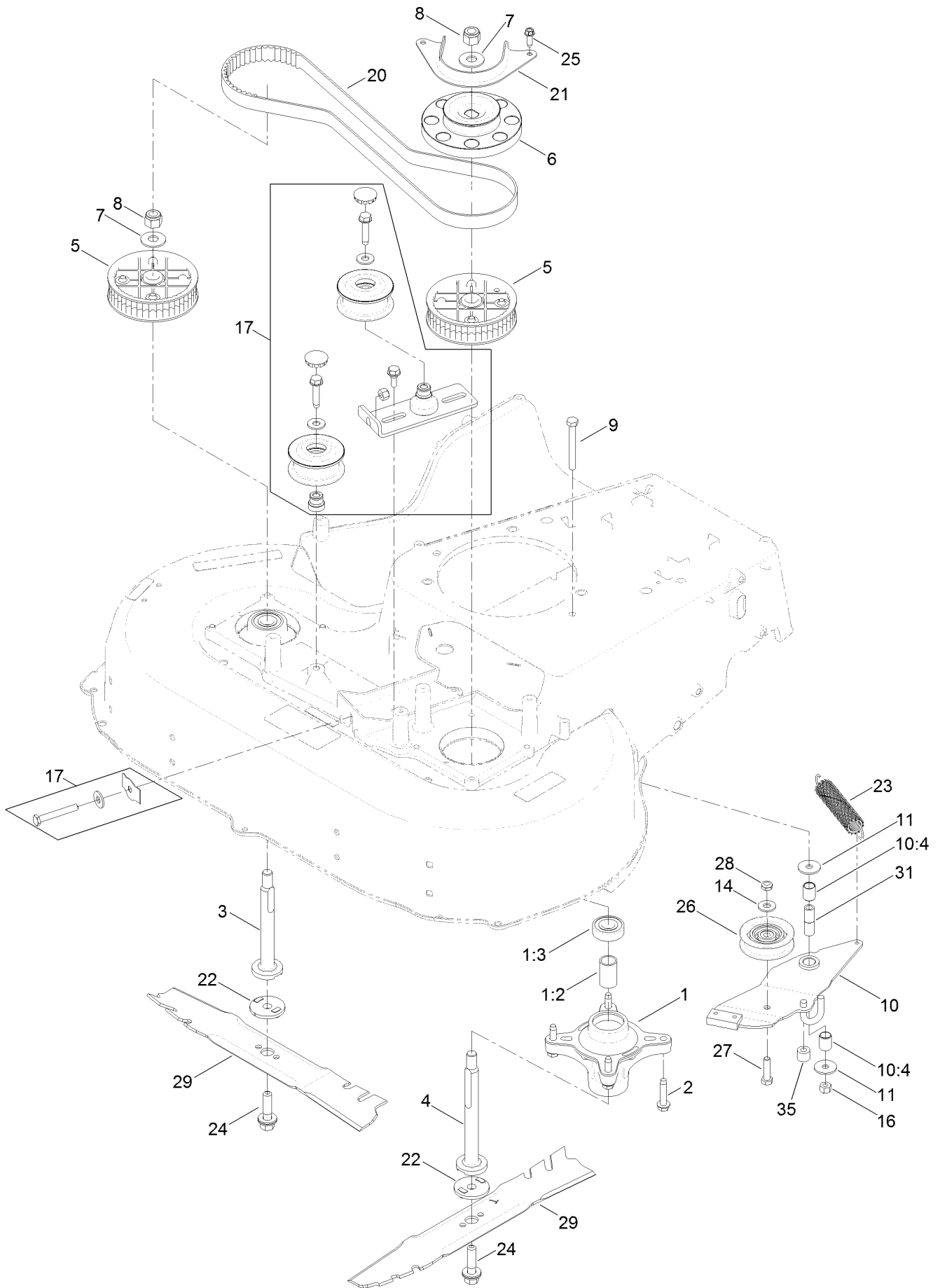
Deck, Frame and Chute Assembly



Deck, Frame and Chute Assembly (continued)

<i>Ref.</i>	<i>Part Number</i>	<i>Qty.</i>	<i>Description</i>	<i>Ref.</i>	<i>Part Number</i>	<i>Qty.</i>	<i>Description</i>
1	136-5900	1	Deck ASM	24	117-1092	2	Screw-PTH
1:2	94-8072	1	Decal-Danger	25	116-6351-03	1	Bracket-Hinge
1:3	93-7009	1	Decal-Danger	26	116-6933	1	Pin-Hinge
1:4	116-8528	1	Decal	27	116-6229	1	Seal-Door
1:5	120-9570	2	Decal-Warning	28	32151-72	1	Ring-Retaining
1:6	121-1449	1	Decal-Warning, Block	29	116-7573	1	Spring-Torsion, Cover
3	131-9659-01	1	Frame	30	116-8355	1	Rear Door ASM
4	133-8177	1	Chute	30:2	116-7583	1	Decal-Warning
5	3230-5	2	Screw-CARR	35	116-6966	1	Clip-Seal
7	121-9191	1	Decal	36	121-5793-03	1	Door-Access
8	3296-29	2	Nut-Lock, NI	37	121-5840	2	Fastener
10	121-5810	1	Cover-Belt	38	130-2352-01	1	Baffle-Control
11	126-4345	1	Decal-Patent	39	104-8300	4	Nut-Flange, NI
14	46-8091	4	Screw-HWH	40	3230-23	4	Screw-CARR
15	107-7497	1	Bracket-Cable, Traction	46	32144-86	1	Screw-HWHTF
16	120-5225	1	Plug-Mulch	99	125-5072	1	Frame Plate Kit
17	121-5841	1	Shield-Trailing	99:1	125-2542	1	Plate-Frame
18	49-2040	8	Screw-HWHTF	99:2	3229-3	3	Screw-CARR
21	1-513658	2	Bumper	99:3	3296-42	3	Nut-Lock, NI
23	65-5100	1	Handle-Door				

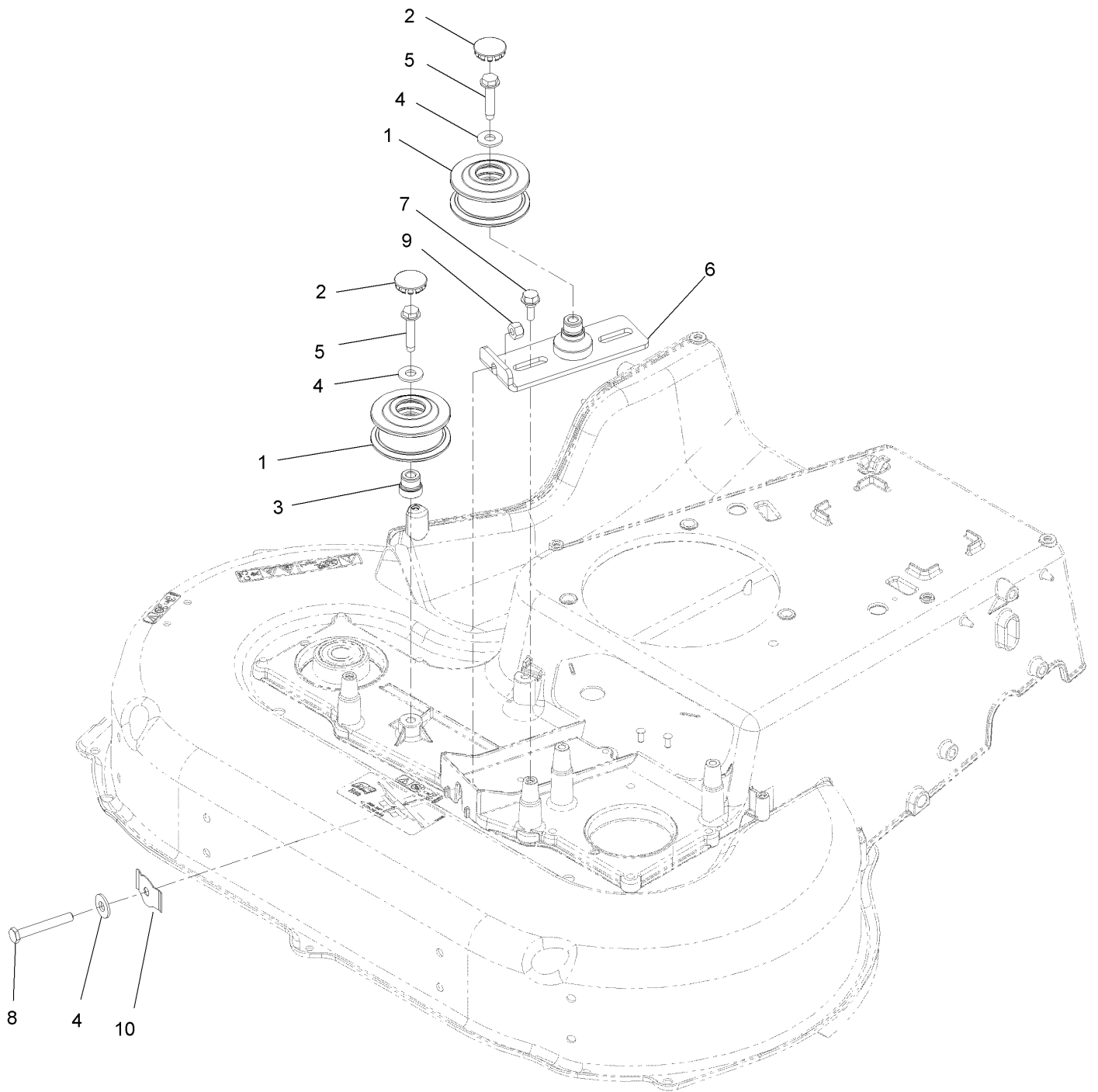
Spindle and Blade Assembly



Spindle and Blade Assembly (continued)

<i>Ref.</i>	<i>Part Number</i>	<i>Qty.</i>	<i>Description</i>	<i>Ref.</i>	<i>Part Number</i>	<i>Qty.</i>	<i>Description</i>
1	121-9107	2	Spindle ASM	16	3296-29	2	Nut-Lock, NI
1:2	120-7935	2	Spacer	17	126-7890	1	Pulleys And Idler Kit
1:3	100-1048	2	Bearing-Ball	20	120-3335	1	Belt-Synchronous
2	32144-57	10	Screw	21	120-5245-03	1	Guide-Belt, Spindle
3	120-5234	1	Shaft-Spindle	22	120-5236	2	Adapter-Blade
4	120-5235	1	Shaft-Spindle	23	121-5808	1	Spring-Extension, Brake
5	121-9100	2	Sprocket	24	125-2466	2	Bolt-Blade
6	130-6664	1	Pulley-Brake, Spindle	25	49-2040	2	Screw-HWHTF
7	109-9505	2	Washer-Spring	26	120-7082	1	Pulley-Idler
8	3296-19	2	Nut-Hex	27	322-6	1	Screw-HH
9	322-13	1	Screw-HH	28	3296-47	1	Nut-Lock, NI
10	136-5903	1	Brake Arm ASM	29	116-6358-03	2	Blade-Rotary
10:4	131-0819	2	Bushing-Sleeve	31	131-0823	1	Spacer-Brake
11	5-4460	2	Washer-Pivot	35	133-1964	1	Hose-Coolant
14	3256-3	4	Washer-Flat				

Pulleys and Idler Assembly No. 126-7890

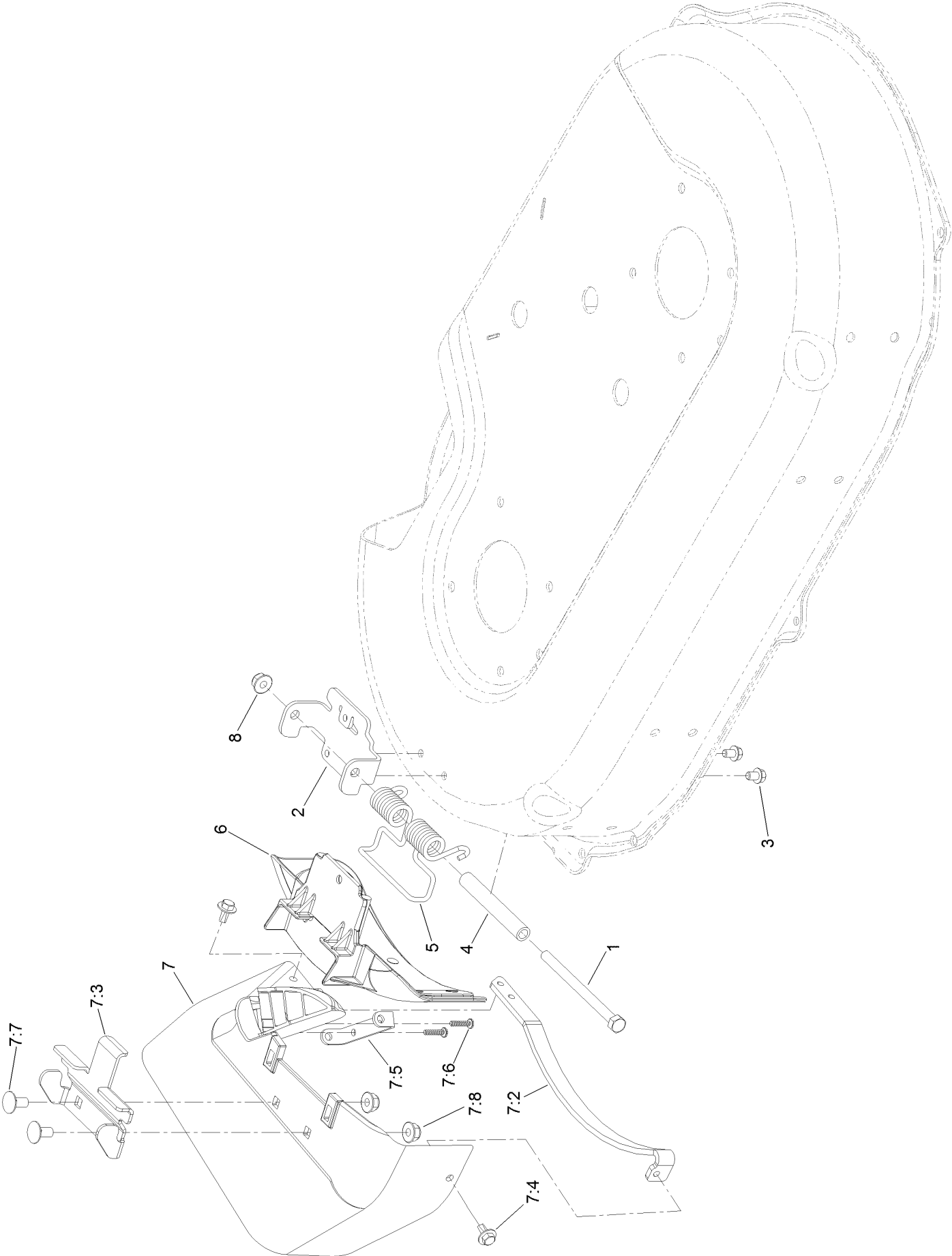


Pulleys and Idler Assembly No. 126-7890 (continued)

<i>Ref.</i>	<i>Part Number</i>	<i>Qty.</i>	<i>Description</i>
1	126-5880	2	Pulley-Idler, Flat
2	126-7151	2	Plug-Button
3	131-4504	1	Adapter-Bore
4	3256-3	3	Washer-Flat
5	32144-57	2	Screw

<i>Ref.</i>	<i>Part Number</i>	<i>Qty.</i>	<i>Description</i>
6	126-6453	1	Bracket-Idler
7	120-7024	2	Screw-Shoulder, HHF
8	9114524	1	Bolt-TAP, HH
9	3296-29	1	Nut-Lock, NI
10	121-2336	1	Spring-Flat

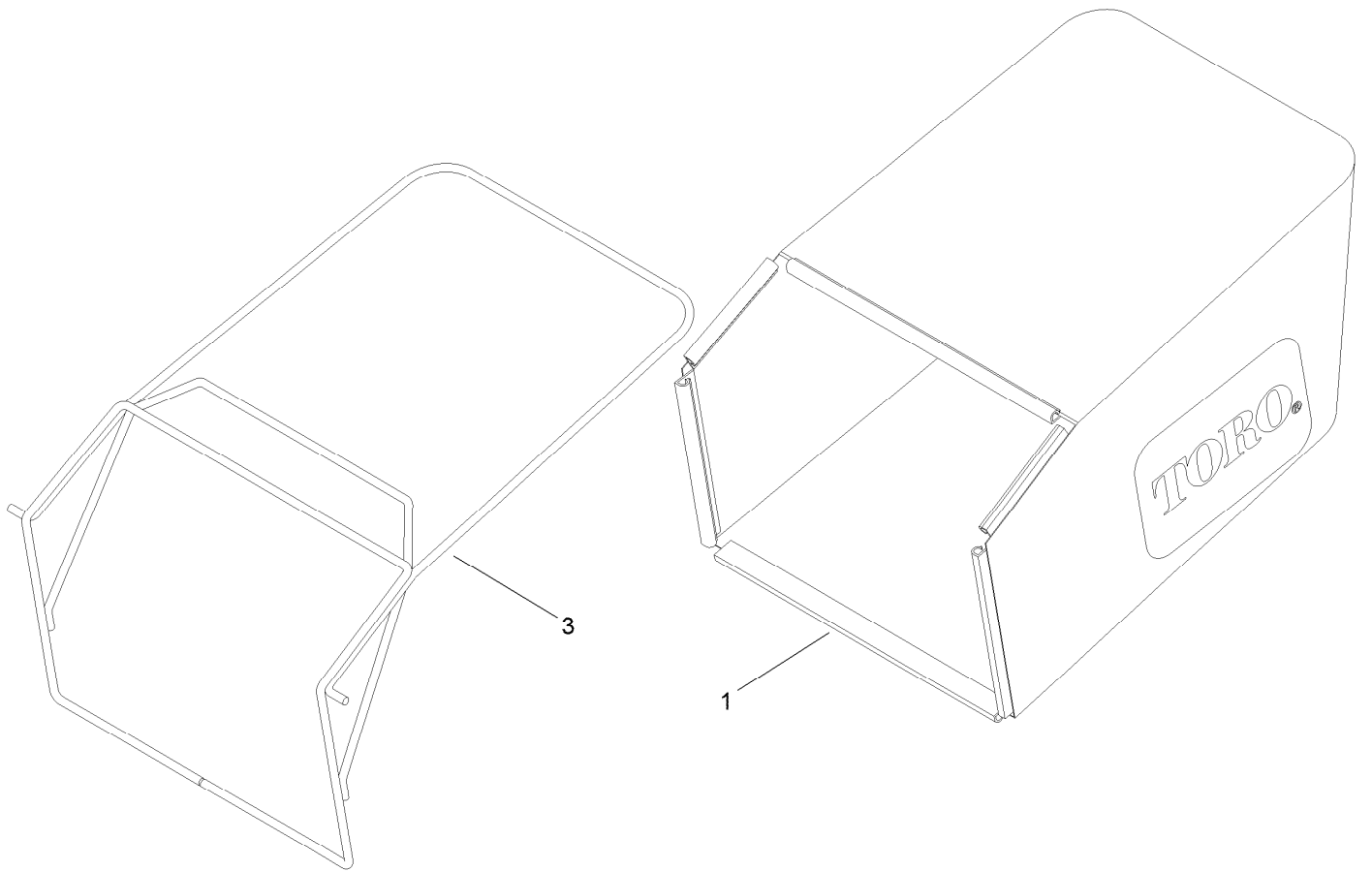
Side Discharge Chute Assembly



Side Discharge Chute Assembly (continued)

<i>Ref.</i>	<i>Part Number</i>	<i>Qty.</i>	<i>Description</i>	<i>Ref.</i>	<i>Part Number</i>	<i>Qty.</i>	<i>Description</i>
1	322-38	1	Screw-HH	7:3	121-9196	1	Bracket-Chute
2	121-9195	1	Hinge	7:4	46-8560	2	Screw-HHFTF
3	99-8445	2	Screw-HWH	7:5	112-6416	1	Bracket-Cover
4	125-2478	1	Spacer	7:6	94-4496	2	Screw-PPH
5	121-9193	1	Spring-Torsion	7:7	3230-18	2	Screw-CARR
6	125-5093-01	1	Cover-Discharge	7:8	104-8300	2	Nut-Flange, NI
7	116-9754	1	Side Discharge Chute ASM	8	104-8300	1	Nut-Flange, NI
7:2	116-9752-03	1	Guard-Chute				

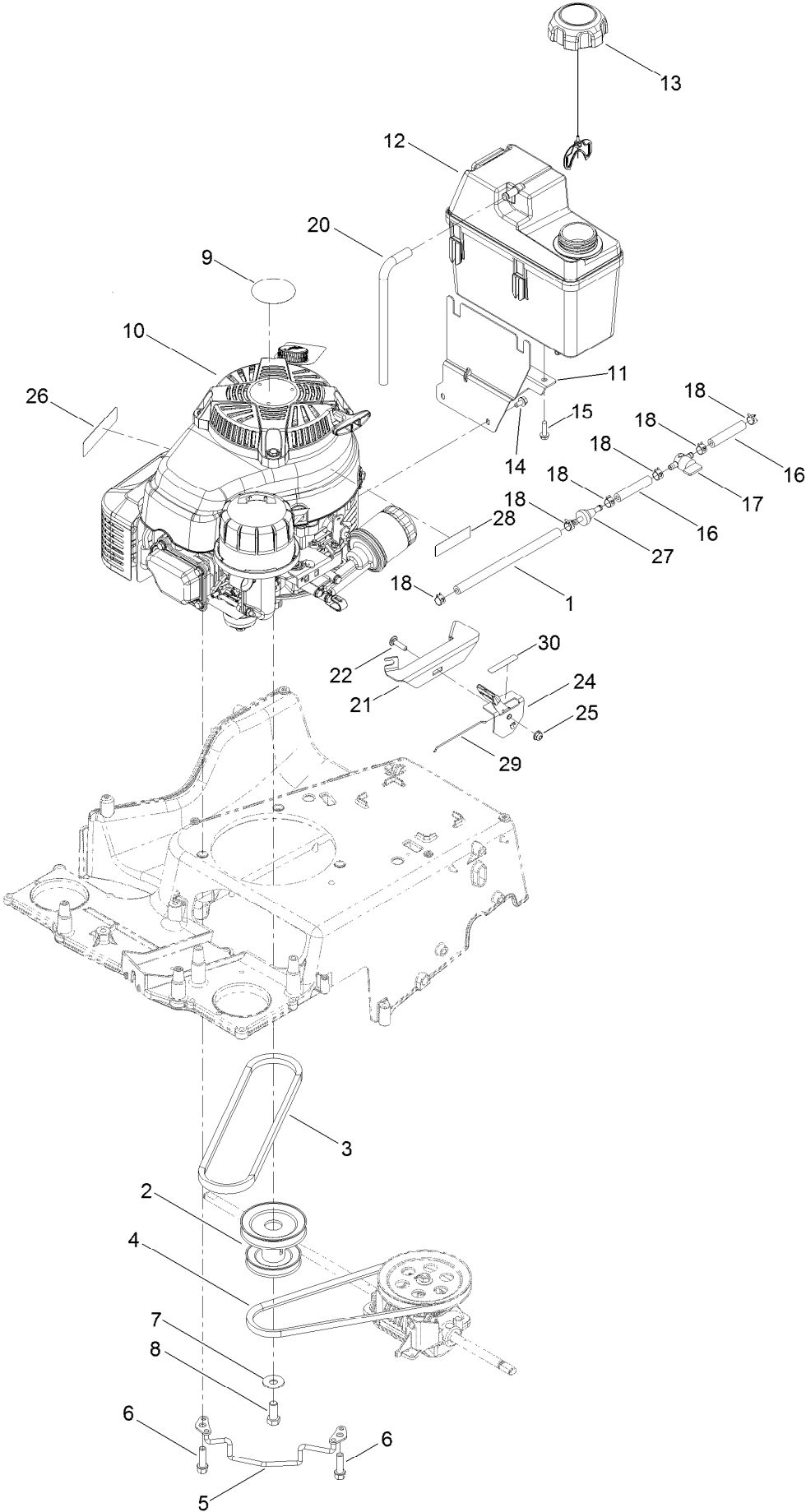
Grass Bag Assembly



Grass Bag Assembly (continued)

<i>Ref.</i>	<i>Part Number</i>	<i>Qty.</i>	<i>Description</i>
1	121-5775	1	Grass Bag ASM
3	116-5596-03	1	Frame-Bag

Engine and Fuel Tank Assembly



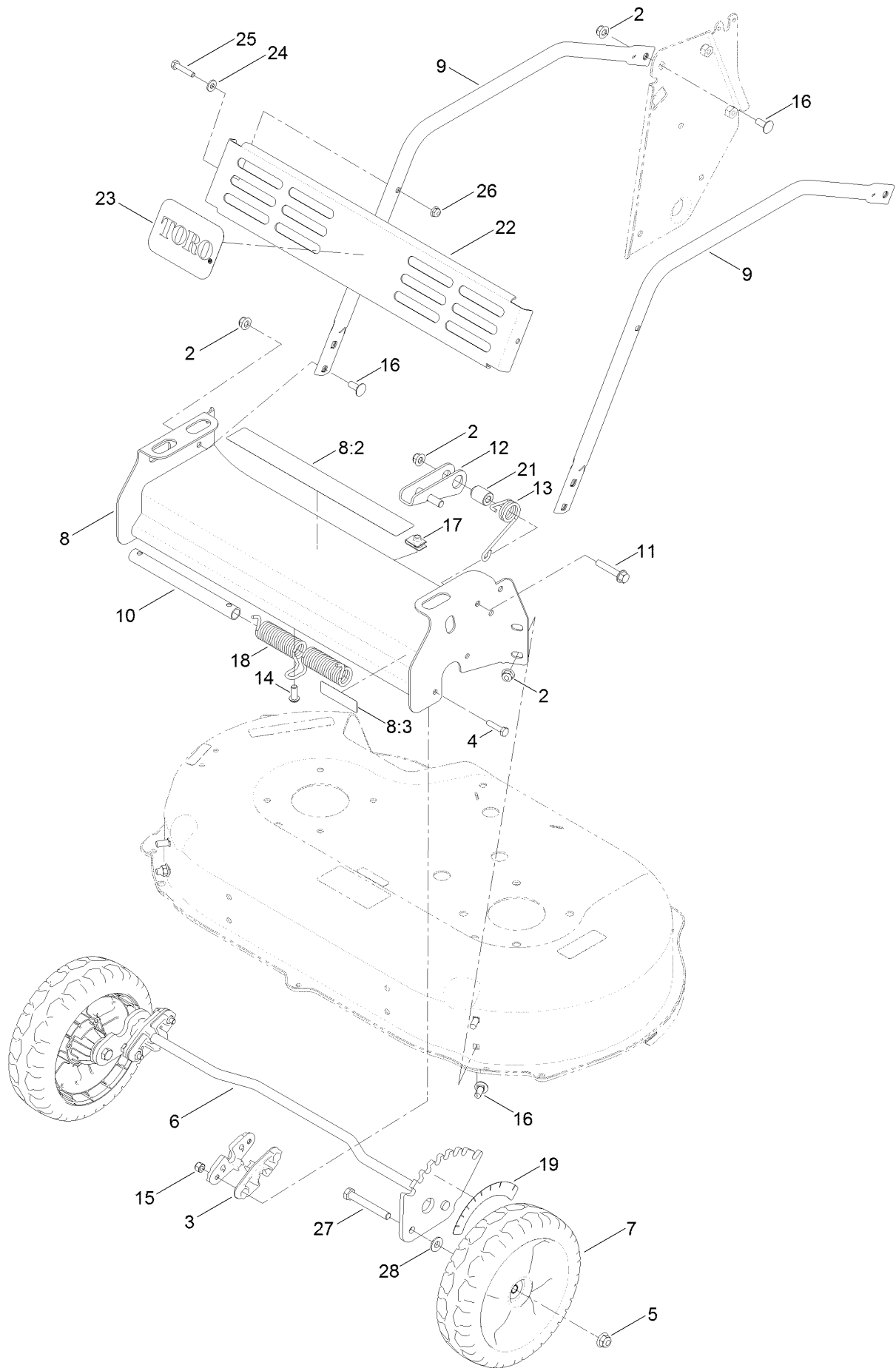
Engine and Fuel Tank Assembly (continued)

<i>Ref.</i>	<i>Part Number</i>	<i>Qty.</i>	<i>Description</i>	<i>Ref.</i>	<i>Part Number</i>	<i>Qty.</i>	<i>Description</i>
1	119-1892	1	Hose-Fuel	15	46-8091	2	Screw-HWH
2	116-7013	1	Pulley-Engine	16	109-0304	2	Hose-Fuel
3	121-5765	1	V-Belt	17	1-603770	1	Valve-Fuel
4	116-7116	1	Belt	18	2412-98	6	Clamp-Hose
5	120-7077	1	Guide-Belt	20	115-0962	1	Hose-Vent, Canister
6	95-1727	3	Screw-Taptite	21	130-6440-03	1	Bracket-Mount, Throttle
7	3290-465	1	Washer-Belleville	22	3229-30	1	Screw-CARR
8	3212-4	1	Screw-HH	24	130-9655	1	Control-Throttle
9	109-6528	1	Decal-Recoil	25	104-7201	1	Nut-Flange, NI
10		1	Engine-Kawasaki Fj180V ●■	26	117-2718	1	Decal-Arrester, Spark
11	115-0954-03	1	Mount-Tank	27	71-9280	1	Filter-Fuel
12	114-0280	1	Tank-Fuel	28	116-9313	1	Decal-Warning, Engine
13	115-7788	1	Cap-Fuel	29	130-9654	1	Wire-Control
14	116-8929	3	Screw-HWH	30	130-9656	1	Decal-Throttle, Choke

● Not serviced separately

■ Obtain parts from www.kawpowerepc.com

Front Bumper and Wheel Assembly



Front Bumper and Wheel Assembly (continued)

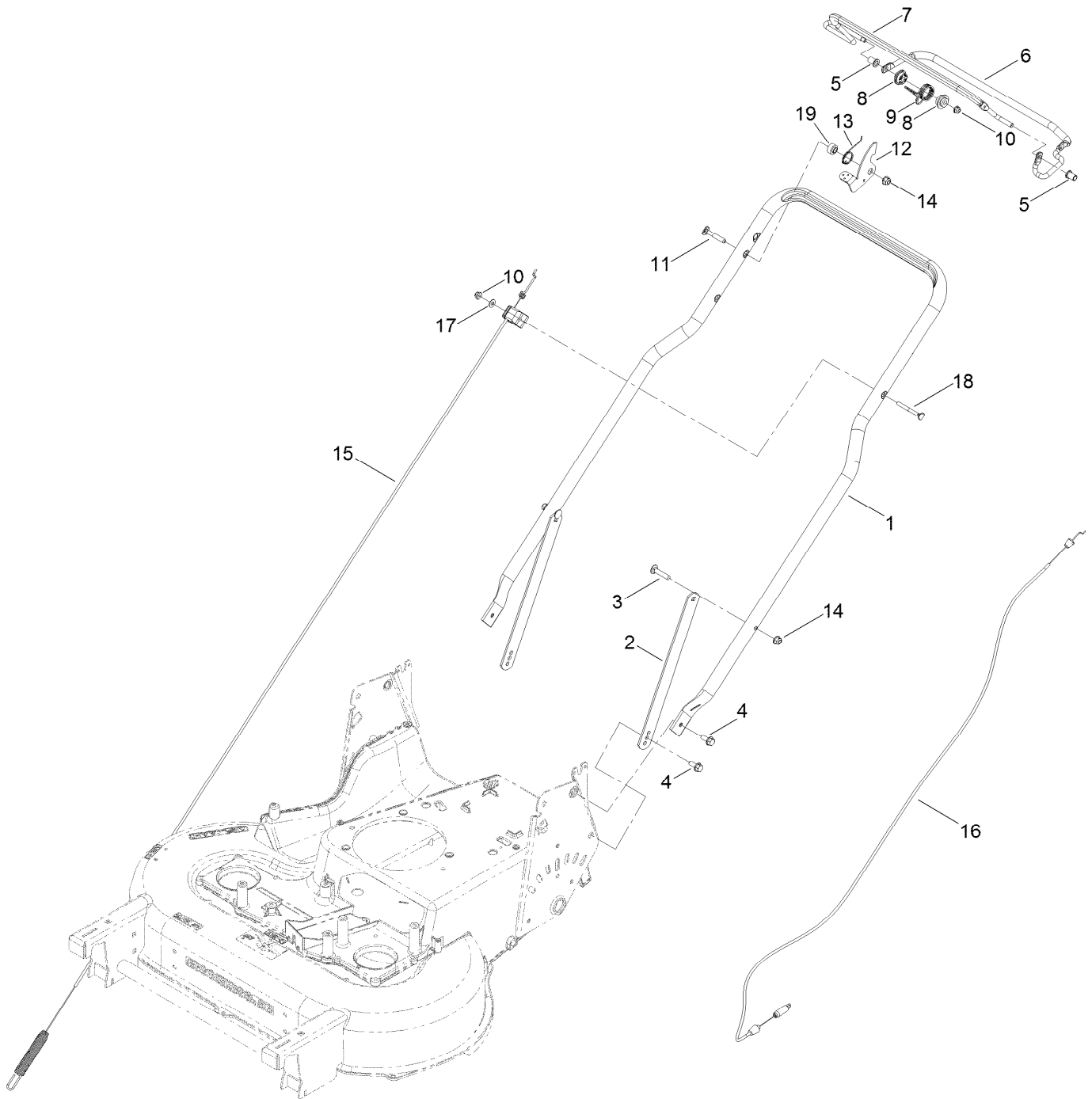
<i>Ref.</i>	<i>Part Number</i>	<i>Qty.</i>	<i>Description</i>	<i>Ref.</i>	<i>Part Number</i>	<i>Qty.</i>	<i>Description</i>
2	104-8300	11	Nut-Flange, NI	14	3274-55	1	Screw-HSBH
3	121-5781	4	Bushing-Front	15	3296-42	4	Nut-Lock, NI
4	321-7	4	Screw-HH	16	3230-23	10	Screw-CARR
5	104-8301	2	Nut-Flange, NI	17	94-2413	1	Nut-U
6	131-0826	1	Axle-Front	18	121-2337	1	Spring-Torsion
7	125-1080	2	Wheel	19	121-5846	1	Decal-HOC, Front
8	125-2488	1	Front Bumper ASM	21	125-2486	1	Spacer
8:2	121-5847	1	Decal	22	121-9187-03	1	Shield
8:3	116-7581	1	Decal-Warning	23	117-0871	1	Decal
9	121-9168-03	2	Brace	24	3256-22	2	Washer-Flat
10	131-9690	1	Mandrell-Spring	25	321-8	2	Screw-HH
11	94-5780	1	Screw-HWH	26	104-7201	2	Nut-Flange, NI
12	125-2483	1	Lock-Height, Adjustment	27	323-13	2	Screw-HH
13	120-9465	1	Spring-Torsion	28	74-1671	2	Spacer-Cover, Wheel

Traction and Height-of-Cut Assembly (continued)

<i>Ref.</i>	<i>Part Number</i>	<i>Qty.</i>	<i>Description</i>	<i>Ref.</i>	<i>Part Number</i>	<i>Qty.</i>	<i>Description</i>
1	121-2394-03	1	LH HOC Plate ASM	21	116-7127	1	Decal-HOC, Rear
2	121-2395-03	1	RH HOC Plate ASM	22	52-2860	1	Washer
3	701243	6	Screw-HWHTF	23	119-2267	1	Screw-Shoulder, BHTF
4	131-5364	2	Retainer-Bearing	24	120-9471	1	Bolt-Shoulder
5	133-2603	2	Bearing-Ball	25	120-7090	1	Lock-Height, Adjust
6	131-5399	2	Gear-Pinion, 15T	26	120-9452	1	Spring-Extension
7	32151-61	1	Ring-Retaining	28	104-8300	2	Nut-Flange, NI
8	110-7191	2	Washer-Thrust	29	3230-2	1	Bolt-CARR
10	125-2480	2	Cover-Gear	30	104-8699	1	Bearing-Ball
11	131-5344	1	Bracket-Stop, Adjustable	31	131-9667	1	Transmission Kit
12	49-2040	2	Screw-HWHTF	31:2	130-2369	2	Pin-Snap ●
13	121-2368	1	Spring-Torsion	31:3	32151-61	1	Ring-Retaining ●
14	104-8301	2	Nut-Flange, NI	32	120-7008	1	Mount-Bearing
15	121-5799	1	Conduit-Convoluted	33	120-7027	1	Spring-Extension
16	121-5800	2	Conduit-Convoluted	34	36-4780	2	Washer-Plain
17	125-2540	1	Washer-Plain	35	3296-47	1	Nut-Lock, NI
18	133-2699	2	10.5 Inch Wheel ASM	36	130-2369	2	Pin-Snap
19	121-2397	1	Bracket	40	32144-49	1	Screw-HWHTF
20	131-4516	1	Axle-Rear	41	1-513658	1	Bumper

● Not illustrated

Handle Assembly



Handle Assembly (continued)

<i>Ref.</i>	<i>Part Number</i>	<i>Qty.</i>	<i>Description</i>	<i>Ref.</i>	<i>Part Number</i>	<i>Qty.</i>	<i>Description</i>
1	120-7086-03	1	Handle	11	112-8876	1	Screw-Handle
2	116-8208-03	2	Support-Handle	12	116-2998	1	Lever-BBC
3	3230-4	2	Screw-CARR	13	109-9318	1	Spring-Lever, BBC
4	116-7230	4	Screw-HHF	14	104-8300	3	Nut-Flange, NI
5	116-1478	2	Bushing-Handlebar	15	133-2622	1	Cable-Brake
6	116-7907	1	Bail-Drive Coated	16	126-1664	1	Cable-Traction
7	109-8442	1	Bail	17	3256-1	1	Washer-Flat
8	109-8457	2	Bushing-Spring, Pivot	18	92-2270	1	Screw-Handle
9	116-5594	1	Spring-Return, BBC	19	116-2690	1	Bushing-Stepped
10	104-7201	2	Nut-Flange, NI	99	614249	3	Tie-Cable ●

● Not illustrated

Attachments and Accessories

For 22210 30in TurfMaster Walk-Behind Lawn Mower

Product Name	Model/Part
Atomic Blade 15.4in.....	120-9500-03
Mulching Kit.....	125-5064
Idler Pulley Kit.....	126-7890

Notes:



Count on it.