



Count on it.

Parts Catalog

TimeCutter® ZS 4200S

Riding Mower

Model No. 74655—Serial No. 40000000 and Up



Ordering Replacement Parts

To order replacement parts, please supply the part number, the quantity, and the description of each part desired.

Understanding Reference Numbers

Each identified part in an illustration has a reference number. The reference number for a part also appears in the parts list, along with other information about the part.

This catalog uses two special reference number formats, one to indicate parts in a service assembly and another to indicate the quantity of a given part in an illustration.

Service Assembly Reference Numbers

Parts in service assemblies have reference numbers in the form a:b. The a represents the reference number of the entire service assembly and the b represents a sequential number unique to each part within the service assembly.

For example, a wheel assembly might be identified by reference number 6, the tire by 6:1, the valve by 6:2, and the wheel by 6:3. When you order the assembly identified by reference number 6, you receive all parts identified by reference numbers 6:1, 6:2, and 6:3. However, you may also order any part individually. Reference numbers of this type appear in illustration and in parts lists.

Reference Numbers Indicating Quantity

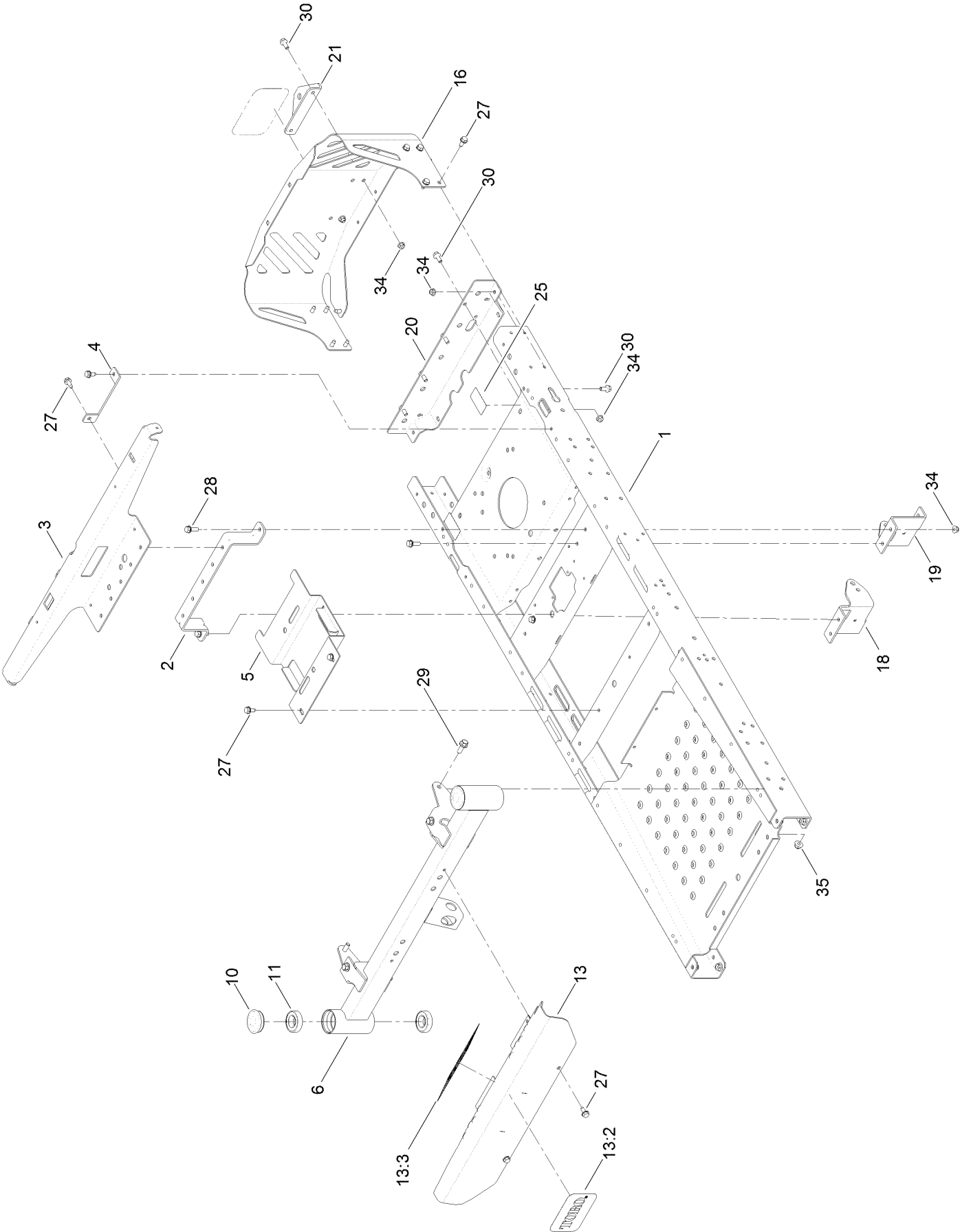
In an illustration, if a reference number indicates more than one part, the reference number has the form nX y. The n represents the quantity of the part, the X is the multiplication symbol, and the y represents the reference number.

For example, in an illustration, the reference number 2X 37 means that two of the parts identified by reference number 37 are indicated.

Contents

| | |
|--------------------------------------------------------|----|
| Frame and Front Axle Assembly | 4 |
| Deck Lift Assembly..... | 6 |
| Caster, Wheel and Tire Assembly | 8 |
| Traction Drive Assembly | 10 |
| Left Hand Hydro Transaxle Assembly No. 119-3330 | 12 |
| Right Hand Hydro Transaxle Assembly No. 119-3331 | 14 |
| Brake Assembly | 16 |
| Tire Assembly No. 131-3671 | 18 |
| Seat Assembly | 20 |
| Motion Control Assembly | 22 |
| Engine and Muffler Assembly..... | 24 |
| Fuel System Assembly | 26 |
| Air Intake and Filtration Assembly | 28 |
| Ignition and Electrical Assembly | 30 |
| Crankcase Assembly | 32 |
| Governor Control Assembly | 34 |
| Piston and Cylinder Head Assembly | 36 |
| Blower Housing Assembly | 38 |
| Gasket and Seal Kit Assembly | 40 |
| Body Styling and Fuel Tank Assembly | 42 |
| Battery and Electrical Assembly..... | 44 |
| 42 Inch Deck Assembly..... | 46 |
| 42 Inch Deck Decal Assembly No. 131-3604 | 48 |
| Model Specific Decal Assembly..... | 50 |
| Frame Decal Assembly | 52 |
| Clutch Assembly..... | 54 |
| Attachments and Accessories | 56 |

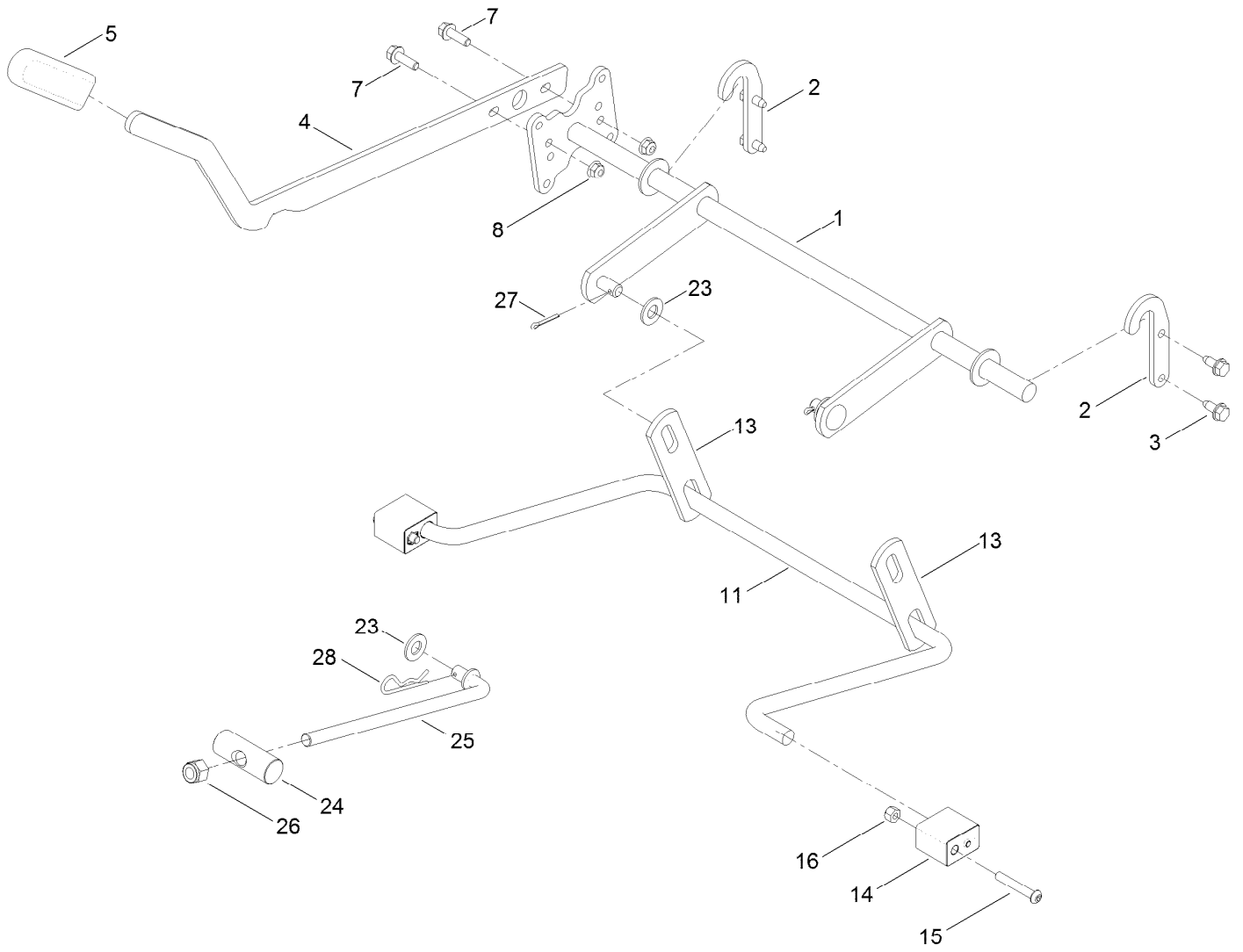
Frame and Front Axle Assembly



Frame and Front Axle Assembly (continued)

| <i>Ref.</i> | <i>Part Number</i> | <i>Qty.</i> | <i>Description</i> | <i>Ref.</i> | <i>Part Number</i> | <i>Qty.</i> | <i>Description</i> |
|-------------|--------------------|-------------|---------------------------|-------------|--------------------|-------------|----------------------------|
| 1 | 127-3444-01 | 1 | Frame ASM | 18 | 131-0901-01 | 1 | Mount-Hydro, Front (Right) |
| 2 | 119-3435-03 | 1 | Brace-Seat, Rear (Narrow) | 19 | 131-0902-01 | 1 | Mount-Hydro, Front (Left) |
| 3 | 131-1040-03 | 1 | Support-Pod | 20 | 130-6950-01 | 1 | Crossmember-Rear, Narrow |
| 4 | 119-3431-03 | 2 | Support-Tank, Rear | 21 | 117-1232-03 | 1 | Bracket-Hitch |
| 5 | 131-0914-03 | 1 | Bracket-Battery | 25 | 121-2989 | 2 | Decal-Bypass |
| 6 | 125-1742-01 | 1 | Axle-Front, Narrow | 27 | 32144-70 | 18 | Screw-HWHTF |
| 10 | 116-4348 | 2 | Cap-Grease | 28 | 3234-29 | 4 | Screw-HHF |
| 11 | 109-3678 | 4 | Bearing-Ball | 29 | 3234-42 | 6 | Screw-HHF |
| 13 | 132-0890 | 1 | Footrest ASM | 30 | 3234-47 | 8 | Screw-HHF |
| 13:2 | 105-8278 | 1 | Decal | 34 | 104-8300 | 12 | Nut-Flange, NI |
| 13:3 | 132-0869 | 1 | Decal-Danger | 35 | 104-8301 | 6 | Nut-Flange, NI |
| 16 | 127-3353-03 | 1 | Guard-Engine, Narrow | | | | |

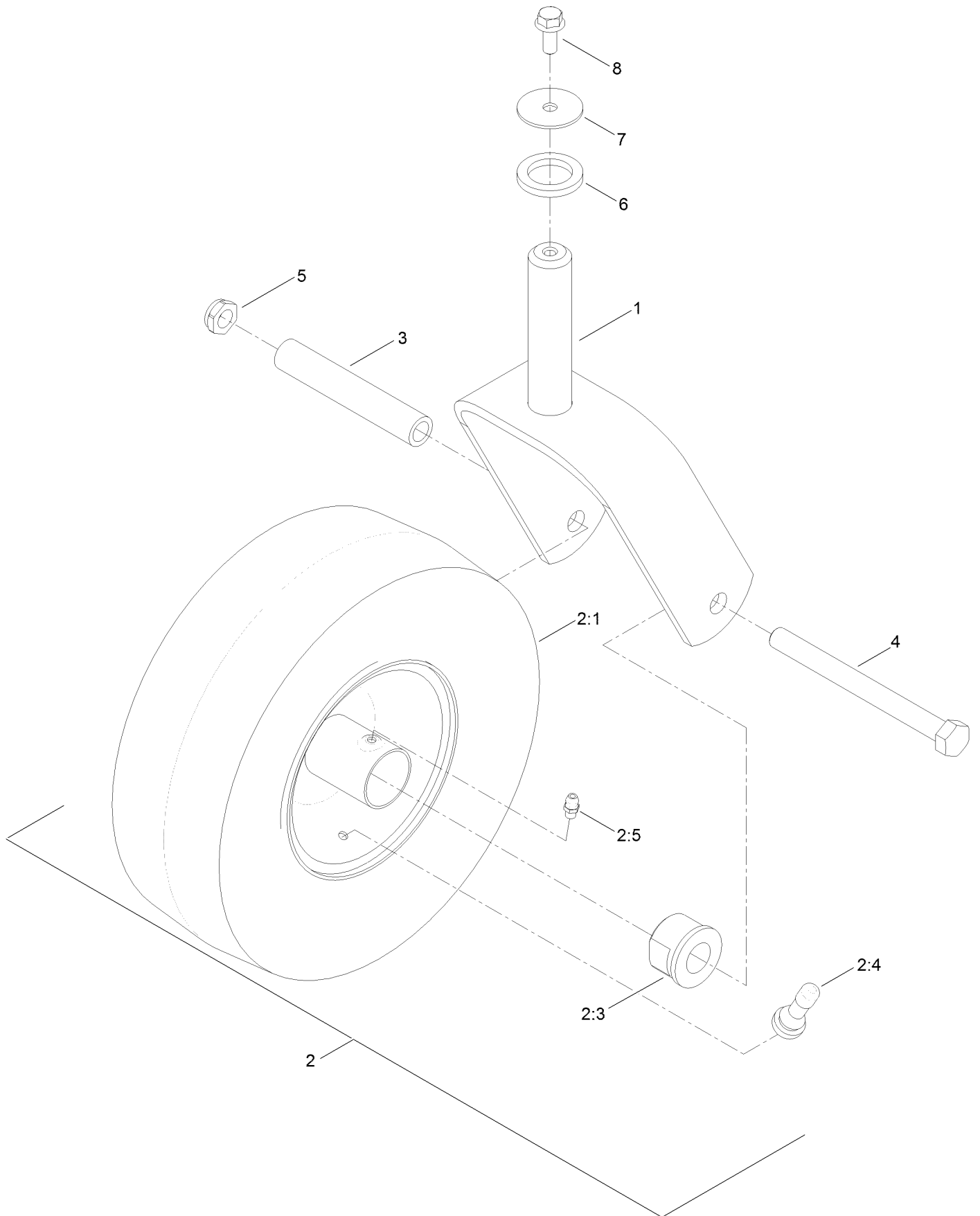
Deck Lift Assembly



Deck Lift Assembly (continued)

| <i>Ref.</i> | <i>Part Number</i> | <i>Qty.</i> | <i>Description</i> | <i>Ref.</i> | <i>Part Number</i> | <i>Qty.</i> | <i>Description</i> |
|-------------|--------------------|-------------|--------------------|-------------|--------------------|-------------|--------------------|
| 1 | 132-6872-03 | 1 | Lift-Deck, Narrow | 14 | 108-7845 | 2 | Block-Pivot |
| 2 | 119-8875 | 2 | Bracket-Lift | 15 | 120-5499 | 2 | Screw-HSBH |
| 3 | 32144-70 | 4 | Screw-HWHTF | 16 | 3296-29 | 2 | Nut-Lock, NI |
| 4 | 119-3427-03 | 1 | Lever-Lift | 23 | 3256-26 | 3 | Washer-Flat |
| 5 | 1-633268 | 1 | Grip-Lever | 24 | 119-8810 | 1 | Pin-Pivot |
| 7 | 3234-29 | 2 | Screw-HHF | 25 | 133-4319 | 1 | Rod-Mount, Deck |
| 8 | 104-8300 | 2 | Nut-Flange, NI | 26 | 3296-19 | 1 | Nut-Hex |
| 11 | 108-7839 | 1 | Arm-Lift, Rear | 27 | 3272-11 | 2 | Pin-Cotter |
| 13 | 108-7840 | 2 | Link-Lift | 28 | 1-806005 | 1 | Pin-Cotter |

Caster, Wheel and Tire Assembly



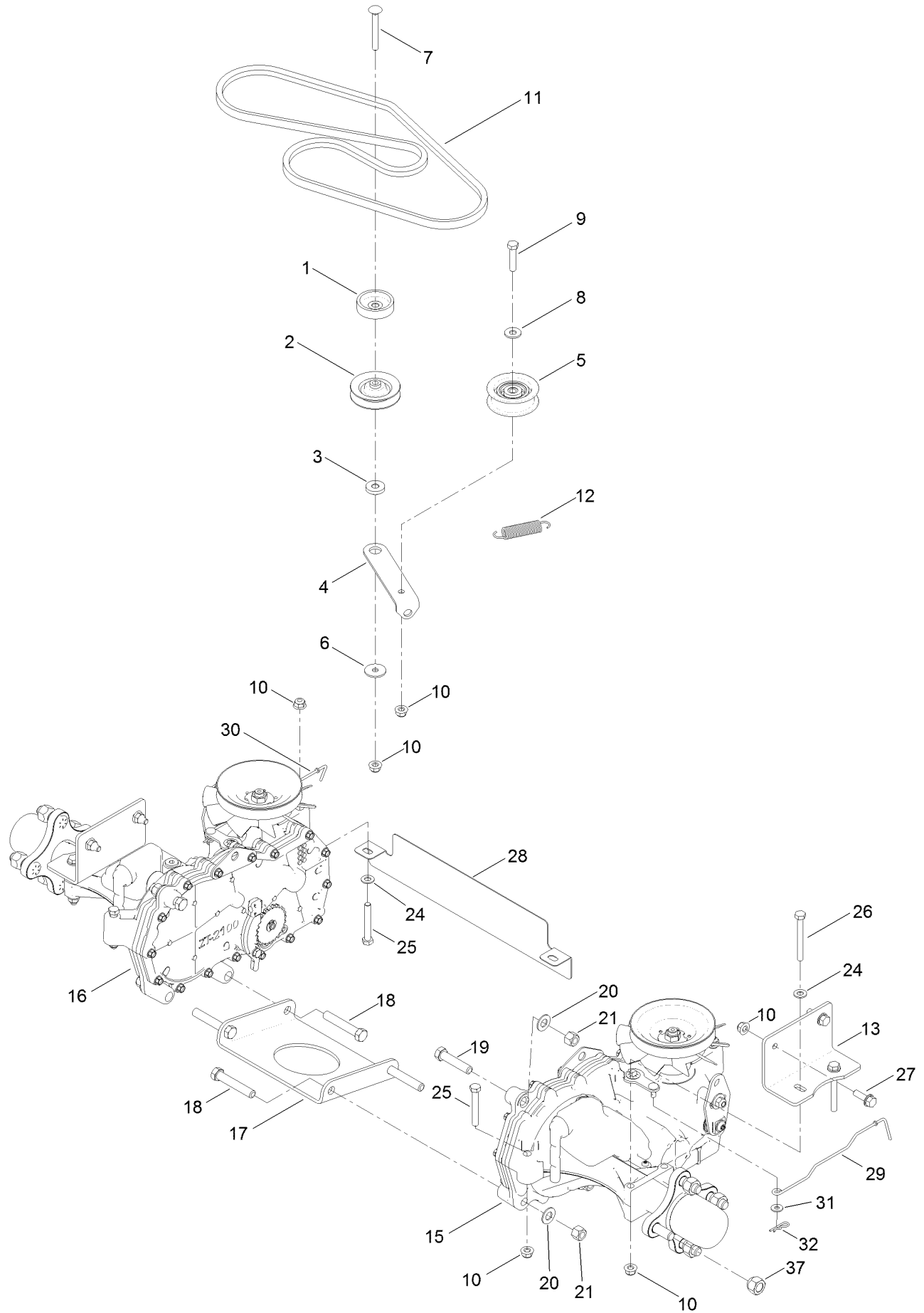
Caster, Wheel and Tire Assembly (continued)

| <i>Ref.</i> | <i>Part Number</i> | <i>Qty.</i> | <i>Description</i> | <i>Ref.</i> | <i>Part Number</i> | <i>Qty.</i> | <i>Description</i> |
|-------------|--------------------|-------------|--------------------|-------------|--------------------|-------------|--------------------|
| 1 | 120-7964-01 | 2 | Caster Fork ASM | 3 | 104-3667 | 2 | Spanner-Wheel |
| 2 | 130-0736 | 2 | Caster Wheel ASM | 4 | 325-22 | 2 | Screw-HH |
| 2:1 | 130-0735 | 1 | Tire | 5 | 3296-45 | 2 | Nut-Lock, NI |
| 2:3 | 114-1640 | 2 | Bushing-Flange | 6 | 117-7394 | 2 | Washer-Thrust |
| 2:4 | 232-27 | 1 | Stem-Valve | 7 | 3256-68 | 2 | Washer-Flat |
| 2:5 | 302-5 | 1 | Fitting-Grease | 8 | 3234-47 | 2 | Screw-HHF |
| 2:6 | 105-0844 | 1 | Tube-Inner ●■ | | | | |

● Not illustrated

■ Optional Equipment

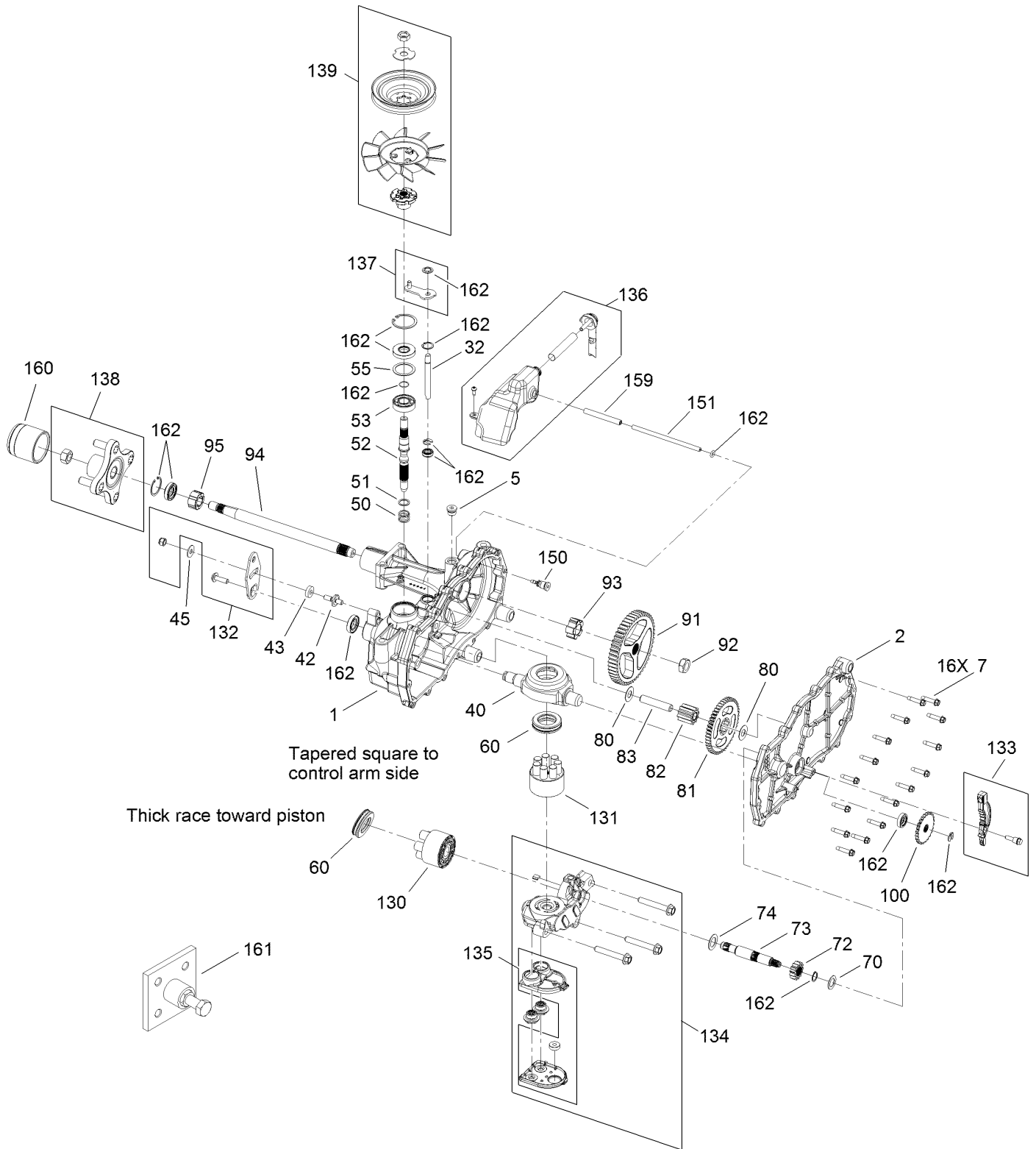
Traction Drive Assembly



Traction Drive Assembly (continued)

| <i>Ref.</i> | <i>Part Number</i> | <i>Qty.</i> | <i>Description</i> | <i>Ref.</i> | <i>Part Number</i> | <i>Qty.</i> | <i>Description</i> |
|-------------|--------------------|-------------|------------------------|-------------|--------------------|-------------|--------------------|
| 1 | 119-3353 | 1 | Spacer | 17 | 119-3339-03 | 1 | Plate-Cross, Hydro |
| 2 | 119-8822 | 1 | Pulley-Idler | 18 | 324-10 | 4 | Screw-HH |
| 3 | 119-3327 | 1 | Spacer-Arm, Idler | 19 | 324-8 | 2 | Screw-HH |
| 4 | 119-3326 | 1 | Arm-Idler | 20 | 3256-25 | 6 | Washer-Flat |
| 5 | 106-2176 | 1 | Pulley-Idler | 21 | 3296-48 | 6 | Nut-Lock, NI |
| 6 | 5-4460 | 1 | Washer-Pivot | 24 | 3256-23 | 6 | Washer-Flat |
| 7 | 3230-8 | 1 | Screw-CARR | 25 | 322-11 | 4 | Screw-HH |
| 8 | 3256-3 | 1 | Washer-Flat | 26 | 322-13 | 4 | Screw-HH |
| 9 | 322-7 | 1 | Screw-HH | 27 | 3234-29 | 4 | Screw-HHF |
| 10 | 104-8300 | 14 | Nut-Flange, NI | 28 | 131-3668-03 | 1 | Guard Rear, Narrow |
| 11 | 130-6975 | 1 | V-Belt | 29 | 131-0900 | 1 | Rod-Bypass, LH |
| 12 | 104-6415 | 1 | Spring-Return, Pedal | 30 | 130-7049 | 1 | Rod-Bypass, RH |
| 13 | 117-7264-03 | 2 | Mount-Hydro | 31 | 119-8952 | 2 | Washer |
| 15 | 119-3330 | 1 | LH Hydro Transaxle ASM | 32 | 3290-307 | 2 | Pin-Cotter |
| 16 | 119-3331 | 1 | RH Hydro Transaxle ASM | 37 | 242-50 | 8 | Nut-Lug |

Left Hand Hydro Transaxle Assembly No. 119-3330

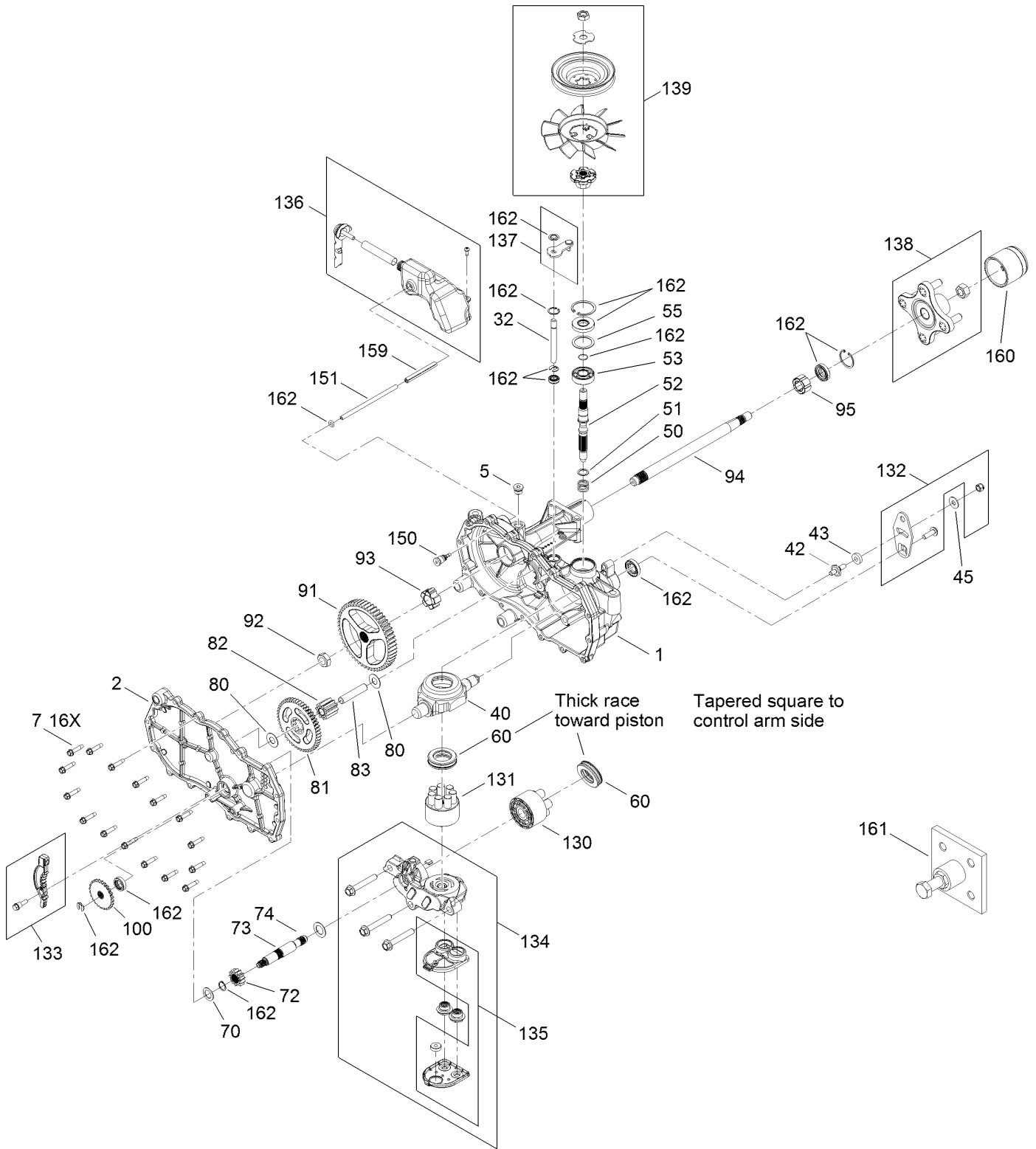


Left Hand Hydro Transaxle Assembly No. 119-3330 (continued)

| <i>Ref.</i> | <i>Part Number</i> | <i>Qty.</i> | <i>Description</i> | <i>Ref.</i> | <i>Part Number</i> | <i>Qty.</i> | <i>Description</i> |
|-------------|--------------------|-------------|-----------------------|-------------|--------------------|-------------|---------------------------|
| 1 | 120-5532 | 1 | Main Housing ASM | 83 | 104-5329 | 1 | Pin-Jackshaft |
| 2 | 120-5534 | 1 | Housing Side Kit | 91 | 120-5539 | 1 | Gear-Bull |
| 5 | 104-2189 | 1 | Plug-Thread, Straight | 92 | 104-2142 | 1 | Nut-HJ |
| 7 | 117-5359 | 16 | Screw-HHF | 93 | 115-8314 | 1 | Bushing-Inboard |
| 13 | 104-2147 | 1 | Sealant ● | 94 | 120-5540 | 1 | Shaft-Axle |
| 32 | 106-8678 | 2 | Rod-Bypass | 95 | 120-5541 | 1 | Bearing-Sleeve |
| 40 | 104-5304 | 1 | Swashplate-Trunnion | 100 | 106-8694 | 1 | Disc-Brake, Cog |
| 42 | 104-2116 | 1 | Stud | 130 | 103-2666 | 1 | Cylinder Block Kit |
| 43 | 112-9853 | 1 | Puck-Friction | 131 | 110-8561 | 1 | Pump Block ASM |
| 45 | 114-8491 | 1 | Washer | 132 | 117-5362 | 1 | Arm Control Kit |
| 50 | 120-5537 | 1 | Spring-Compression | 133 | 106-8688 | 1 | Brake Arm Kit |
| 51 | 120-5538 | 1 | Washer | 134 | 112-9861 | 1 | Center Section Filter Kit |
| 52 | 104-5306 | 1 | Shaft-Input | 135 | 114-1634 | 1 | Filter Kit |
| 53 | 104-5311 | 1 | Bearing-Ball | 136 | 121-5730 | 1 | RH Expansion Tank Kit |
| 55 | 104-5308 | 1 | Spacer | 137 | 120-5549 | 1 | Bypass Kit |
| 60 | 94-6922 | 1 | Bearing-Thrust | 138 | 121-5731 | 1 | Hub Kit |
| 70 | 104-5339 | 1 | Washer-Flat | 139 | 121-5729 | 1 | Fan Pulley Kit |
| 72 | 104-5316 | 1 | Gear-Pinion, 13T | 150 | 104-5349 | 1 | Fitting-SAE |
| 73 | 106-8683 | 1 | Shaft-Motor | 151 | 115-8302 | 1 | Hose |
| 74 | 104-5360 | 1 | Washer | 159 | 121-5728 | 1 | Case-Tube |
| 80 | 119-5541 | 2 | Washer | 160 | 125-0041 | 1 | Cap-Axle |
| 81 | 104-5317 | 1 | Gear-10T/48T | 161 | 114-8467 | 1 | Hub-Puller, 4 Bolt |
| 82 | 104-5318 | 1 | Gear-Jackshaft, 10T | 162 | 120-7103 | 1 | Seal And Ring Kit |

● Not illustrated

Right Hand Hydro Transaxle Assembly No. 119-3331

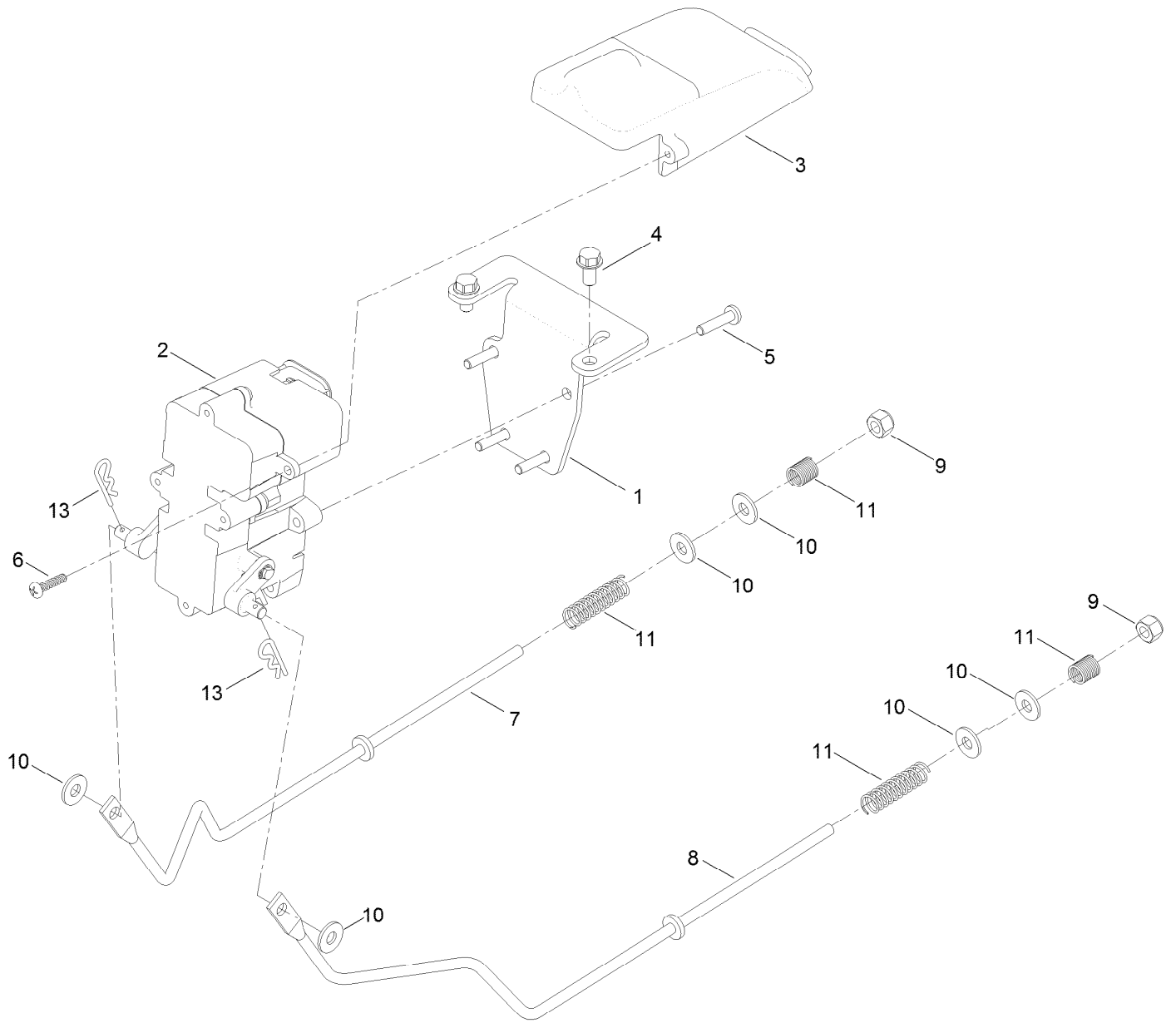


Right Hand Hydro Transaxle Assembly No. 119-3331 (continued)

| <i>Ref.</i> | <i>Part Number</i> | <i>Qty.</i> | <i>Description</i> | <i>Ref.</i> | <i>Part Number</i> | <i>Qty.</i> | <i>Description</i> |
|-------------|--------------------|-------------|-----------------------|-------------|--------------------|-------------|---------------------------|
| 1 | 120-5531 | 1 | Main Housing ASM | 83 | 104-5329 | 1 | Pin-Jackshaft |
| 2 | 120-5533 | 1 | Housing Side Kit | 91 | 120-5539 | 1 | Gear-Bull |
| 5 | 104-2189 | 1 | Plug-Thread, Straight | 92 | 104-2142 | 1 | Nut-HJ |
| 7 | 117-5359 | 16 | Screw-HHF | 93 | 115-8314 | 1 | Bushing-Inboard |
| 13 | 104-2147 | 1 | Sealant ● | 94 | 120-5540 | 1 | Shaft-Axle |
| 32 | 106-8678 | 2 | Rod-Bypass | 95 | 120-5541 | 1 | Bearing-Sleeve |
| 40 | 104-5304 | 1 | Swashplate-Trunnion | 100 | 106-8694 | 1 | Disc-Brake, Cog |
| 42 | 104-2116 | 1 | Stud | 130 | 103-2666 | 1 | Cylinder Block Kit |
| 43 | 112-9853 | 1 | Puck-Friction | 131 | 110-8561 | 1 | Pump Block ASM |
| 45 | 114-8491 | 1 | Washer | 132 | 117-5362 | 1 | Arm Control Kit |
| 50 | 120-5537 | 1 | Spring-Compression | 133 | 106-8688 | 1 | Brake Arm Kit |
| 51 | 120-5538 | 1 | Washer | 134 | 112-9862 | 1 | Center Section Filter Kit |
| 52 | 104-5306 | 1 | Shaft-Input | 135 | 114-1634 | 1 | Filter Kit |
| 53 | 104-5311 | 1 | Bearing-Ball | 136 | 121-5735 | 1 | LH Expansion Tank Kit |
| 55 | 104-5308 | 1 | Spacer | 137 | 107-2489 | 1 | Bypass Arm Kit |
| 60 | 94-6922 | 1 | Bearing-Thrust | 138 | 121-5731 | 1 | Hub Kit |
| 70 | 104-5339 | 1 | Washer-Flat | 139 | 121-5729 | 1 | Fan Pulley Kit |
| 72 | 104-5316 | 1 | Gear-Pinion, 13T | 150 | 104-5349 | 1 | Fitting-SAE |
| 73 | 106-8683 | 1 | Shaft-Motor | 151 | 115-8302 | 1 | Hose |
| 74 | 104-5360 | 1 | Washer | 159 | 121-5728 | 1 | Case-Tube |
| 80 | 119-5541 | 2 | Washer | 160 | 125-0041 | 1 | Cap-Axle |
| 81 | 104-5317 | 1 | Gear-10T/48T | 161 | 114-8467 | 1 | Hub-Puller, 4 Bolt |
| 82 | 104-5318 | 1 | Gear-Jackshaft, 10T | 162 | 120-7103 | 1 | Seal And Ring Kit |

● Not illustrated

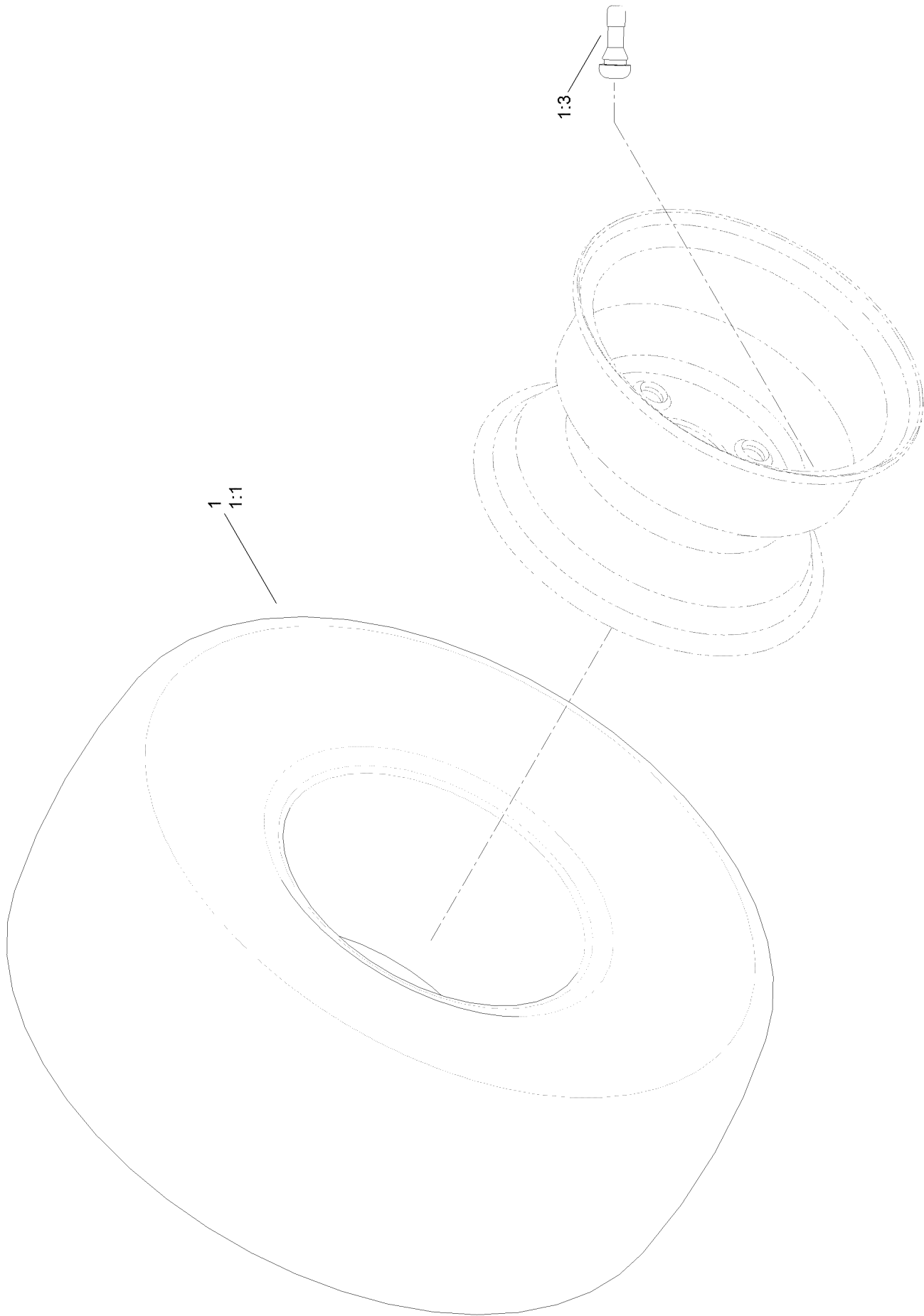
Brake Assembly



Brake Assembly (continued)

| <i>Ref.</i> | <i>Part Number</i> | <i>Qty.</i> | <i>Description</i> | <i>Ref.</i> | <i>Part Number</i> | <i>Qty.</i> | <i>Description</i> |
|-------------|--------------------|-------------|----------------------|-------------|--------------------|-------------|--------------------|
| 1 | 130-0790-03 | 1 | Bracket-Mount, Brake | 7 | 121-2974 | 1 | Rod-Brake, RH |
| 2 | 132-0935 | 1 | Brake Box ASM | 8 | 121-2975 | 1 | Rod-Brake, LH |
| 3 | 132-6949 | 1 | Cover-Connector | 9 | 3296-42 | 2 | Nut-Lock, NI |
| 4 | 32144-4 | 2 | Screw-HWH | 10 | 119-8952 | 6 | Washer |
| 5 | 32144-36 | 4 | Screw-PPH | 11 | 117-1169 | 4 | Spring-Compression |
| 6 | 94-4496 | 2 | Screw-PPH | 13 | 3290-307 | 2 | Pin-Cotter |

Tire Assembly No. 131-3671



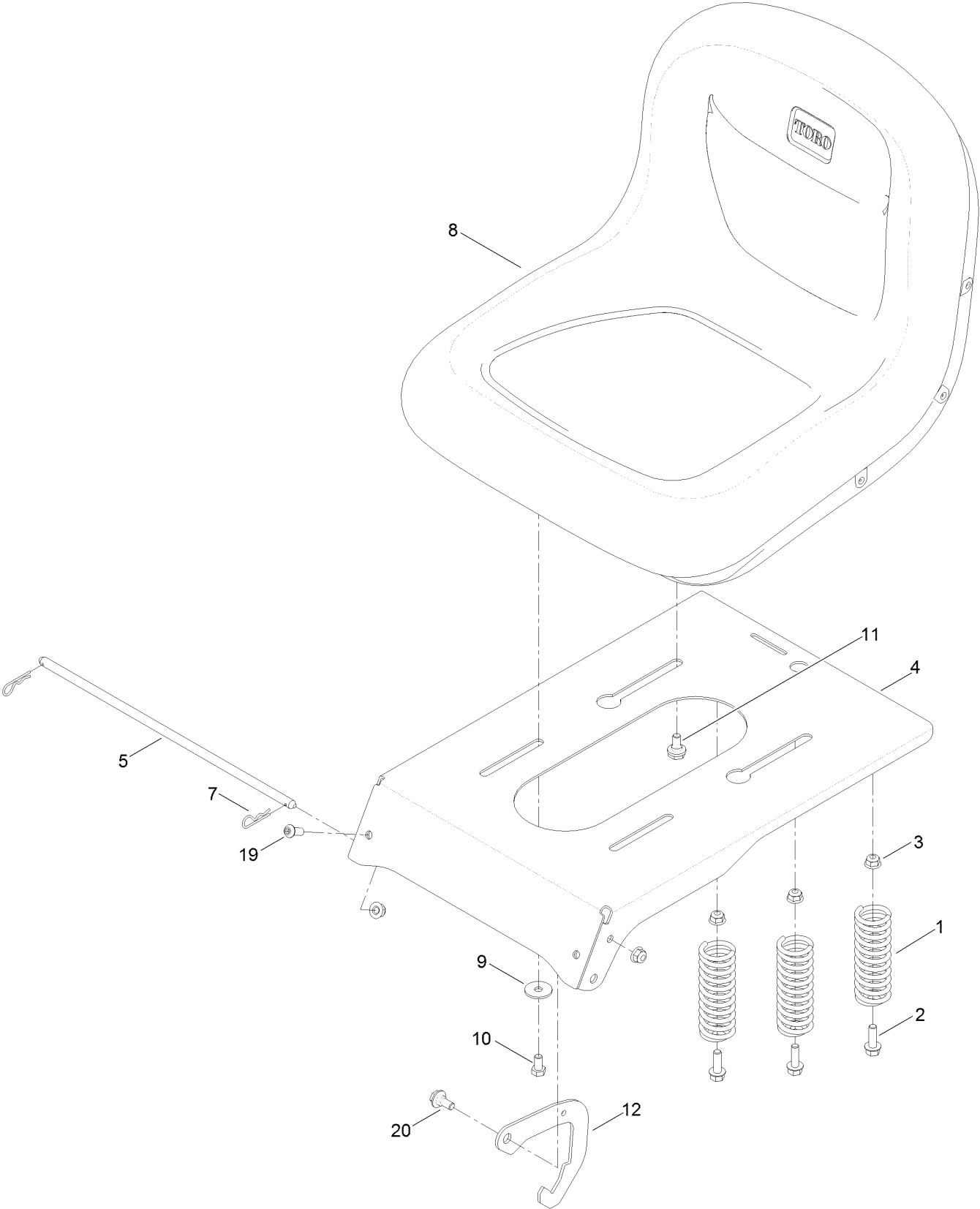
Tire Assembly No. 131-3671 (continued)

| <i>Ref.</i> | <i>Part Number</i> | <i>Qty.</i> | <i>Description</i> |
|-------------|--------------------|-------------|--------------------------|
| 1 | 131-3671 | 2 | 2 Ply Wheel And Tire ASM |
| 1:1 | 131-3678 | 1 | Tire-2 Ply |

| <i>Ref.</i> | <i>Part Number</i> | <i>Qty.</i> | <i>Description</i> |
|-------------|--------------------|-------------|--------------------|
| 1:3 | 232-27 | 1 | Stem-Valve |
| 1:99 | 107-2491 | 1 | Tube-Tire ● |

● Not illustrated

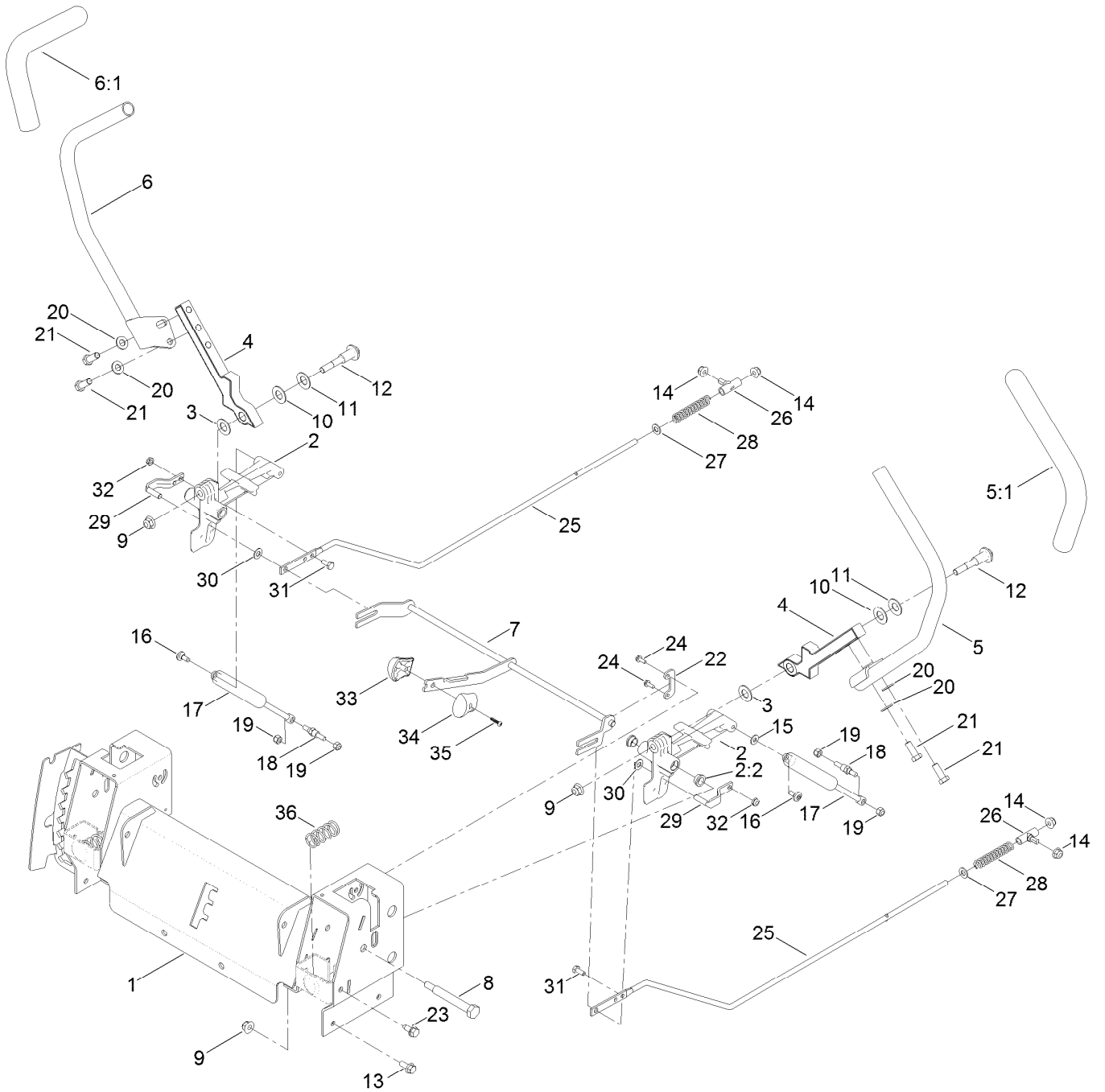
Seat Assembly



Seat Assembly (continued)

| <i>Ref.</i> | <i>Part Number</i> | <i>Qty.</i> | <i>Description</i> | <i>Ref.</i> | <i>Part Number</i> | <i>Qty.</i> | <i>Description</i> |
|-------------|--------------------|-------------|--------------------|-------------|--------------------|-------------|--------------------|
| 1 | 92-7054 | 3 | Spring-Compression | 9 | 5-4460 | 2 | Washer-Pivot |
| 2 | 3234-29 | 3 | Screw-HHF | 10 | 322-2 | 2 | Screw-HH |
| 3 | 104-8300 | 6 | Nut-Flange, NI | 11 | 37-8771 | 2 | Bolt-Shoulder |
| 4 | 131-4037-01 | 1 | Pan-Seat | 12 | 132-9353 | 1 | Latch-Seat |
| 5 | 119-3433 | 1 | Rod-Pivot, Narrow | 19 | 3274-55 | 2 | Screw-HSBH |
| 7 | 3290-250 | 2 | Pin-Cotter | 20 | 19-1470 | 1 | Screw-Shoulder |
| 8 | 119-8828 | 1 | Seat-15 Inch | | | | |

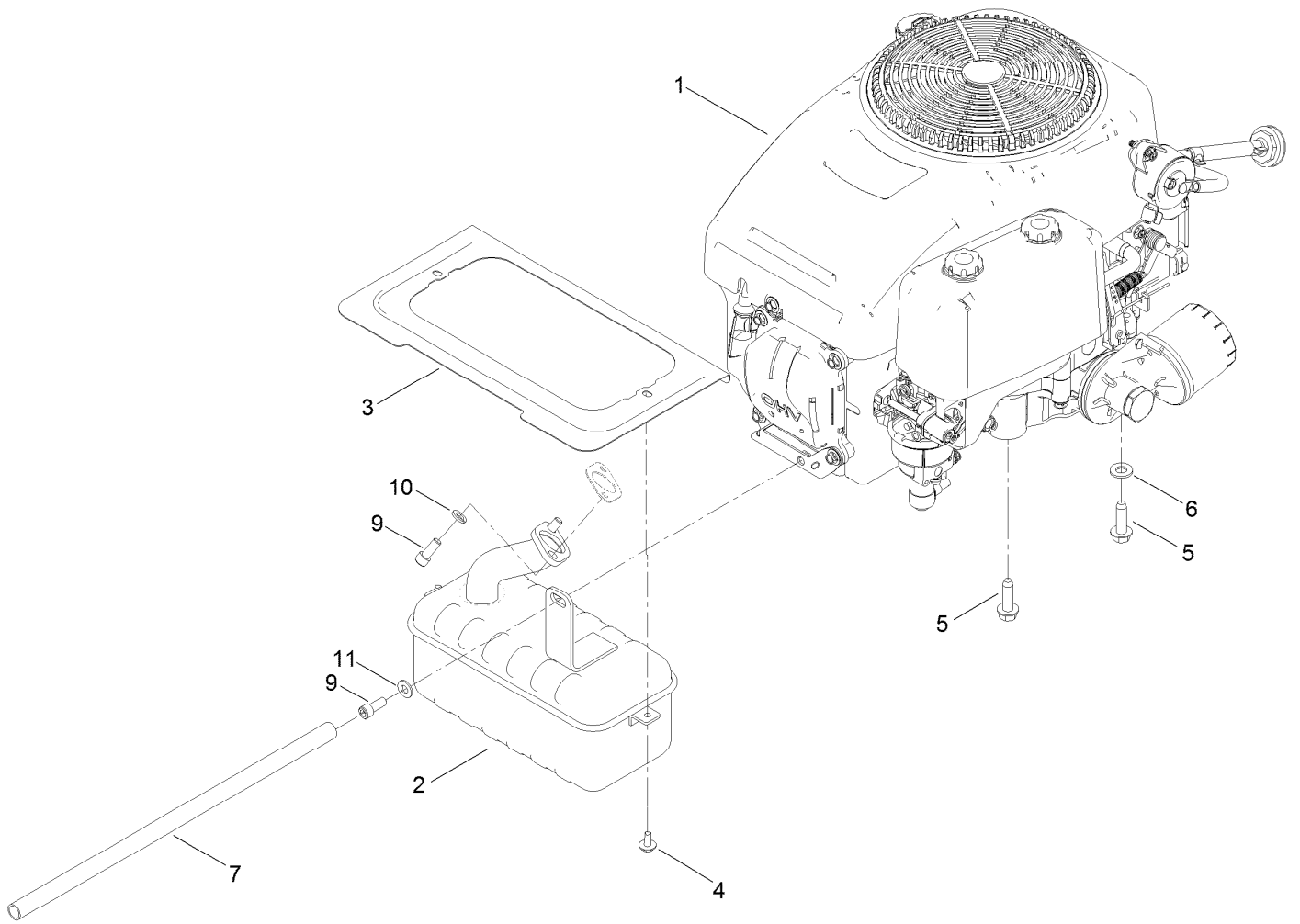
Motion Control Assembly



Motion Control Assembly (continued)

| <i>Ref.</i> | <i>Part Number</i> | <i>Qty.</i> | <i>Description</i> | <i>Ref.</i> | <i>Part Number</i> | <i>Qty.</i> | <i>Description</i> |
|-------------|--------------------|-------------|--------------------|-------------|--------------------|-------------|------------------------|
| 1 | 136-4156-03 | 1 | Control Box ASM | 18 | 110-6810 | 2 | Stud-Damper |
| 2 | 119-3470 | 2 | Actuator Arm ASM | 19 | 3296-42 | 4 | Nut-Lock, NI |
| 2:2 | 256-156 | 2 | Bushing-Flange | 20 | 3256-24 | 4 | Washer-Flat |
| 3 | 120-2273 | 2 | Washer-Nylon | 21 | 323-6 | 4 | Screw-HH |
| 4 | 115-5098-05 | 2 | Lever-Control | 22 | 117-5385 | 2 | Retainer |
| 5 | 121-0730 | 1 | Handle-Control, LH | 23 | 32144-70 | 4 | Screw-HWHTF |
| 5:1 | 121-0726 | 1 | Grip | 24 | 32144-1 | 4 | Screw-Taptite |
| 6 | 121-0731 | 1 | Handle-Control, RH | 25 | 117-5388 | 2 | Rod-Hydro |
| 6:1 | 121-0726 | 1 | Grip | 26 | 119-8842 | 2 | Mount-Rod, Hydro |
| 7 | 131-1094 | 1 | Speed Control ASM | 27 | 3256-23 | 2 | Washer-Flat |
| 8 | 115-5099 | 2 | Bolt-Pivot | 28 | 1-603807 | 2 | Spring-Return, Neutral |
| 9 | 104-8301 | 4 | Nut-Flange, NI | 29 | 119-3303 | 2 | Pin-Rod, Hydro |
| 10 | 117-1240 | 2 | Washer | 30 | 93-6079 | 2 | Spacer-Nylon |
| 11 | 119-8925 | 2 | Washer-Belleville | 31 | 321-3 | 2 | Screw-HH |
| 12 | 117-1198 | 2 | Bolt-Pivot | 32 | 3296-56 | 2 | Nut-Lock, NI |
| 13 | 3234-47 | 6 | Screw-HHF | 33 | 119-8935 | 1 | Knob-RH |
| 14 | 104-8300 | 10 | Nut-Flange, NI | 34 | 119-8936 | 1 | Knob-LH |
| 15 | 119-8952 | 2 | Washer | 35 | 94-4496 | 1 | Screw-PPH |
| 16 | 120-7950 | 2 | Screw-Shoulder | 36 | 119-8876 | 2 | Spring-Return |
| 17 | 131-4132 | 2 | Damper | | | | |

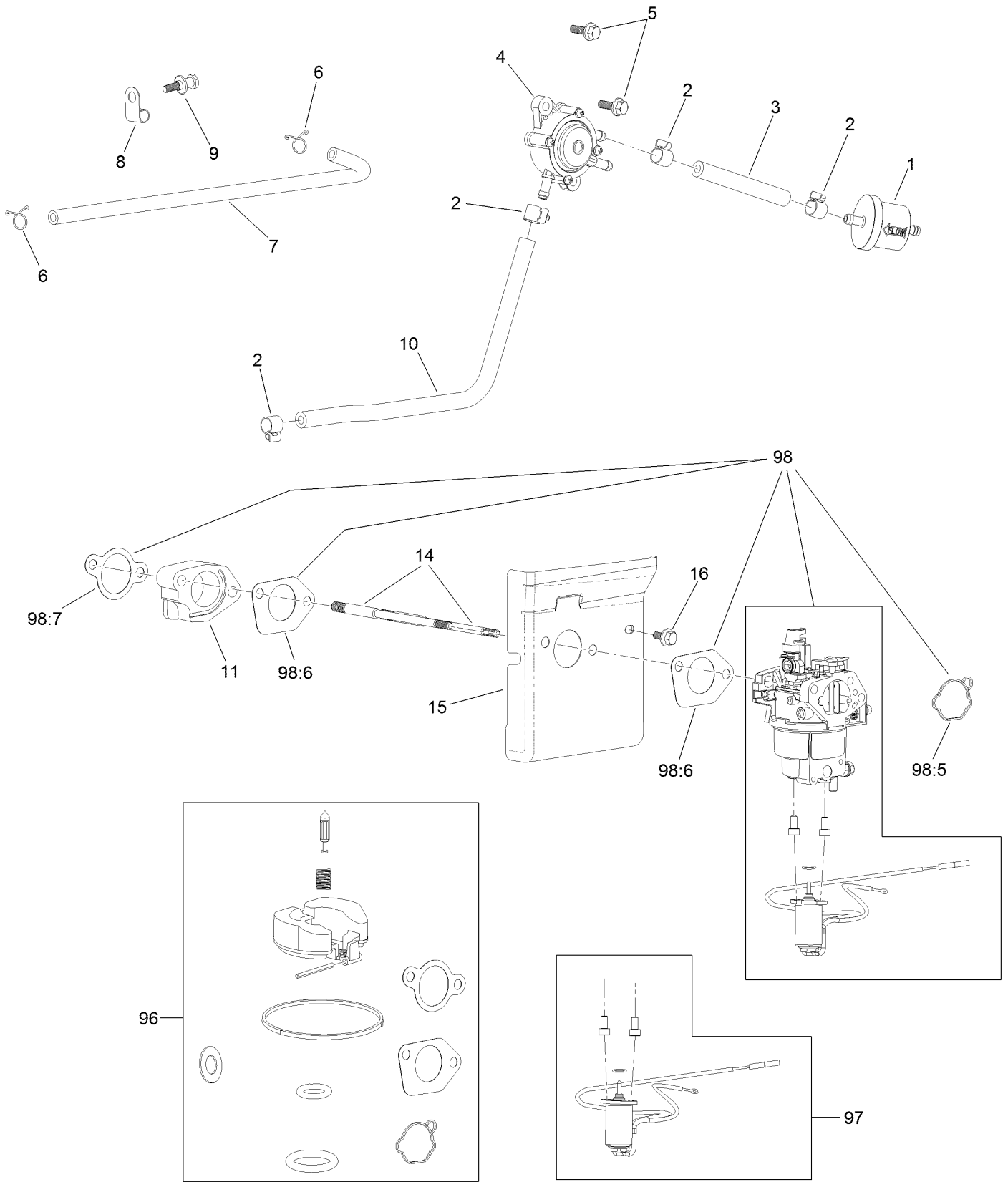
Engine and Muffler Assembly



Engine and Muffler Assembly (continued)

| <i>Ref.</i> | <i>Part Number</i> | <i>Qty.</i> | <i>Description</i> | <i>Ref.</i> | <i>Part Number</i> | <i>Qty.</i> | <i>Description</i> |
|-------------|--------------------|-------------|--------------------|-------------|--------------------|-------------|--------------------|
| 1 | 127-9358 | 1 | Engine-1P92F-1 | 6 | 3256-24 | 3 | Washer-Flat |
| 2 | 130-0691 | 1 | Muffler | 7 | 106-7022 | 1 | Tube-Drain, Oil |
| 3 | 131-1071-03 | 1 | Shield-Heat | 9 | 3274-10 | 3 | Screw-HSH |
| 4 | 46-8560 | 2 | Screw-HHFTF | 10 | 3253-4 | 2 | Washer-Lock |
| 5 | 32144-109 | 4 | Screw-Taptite | 11 | 3256-23 | 1 | Washer-Flat |

Fuel System Assembly

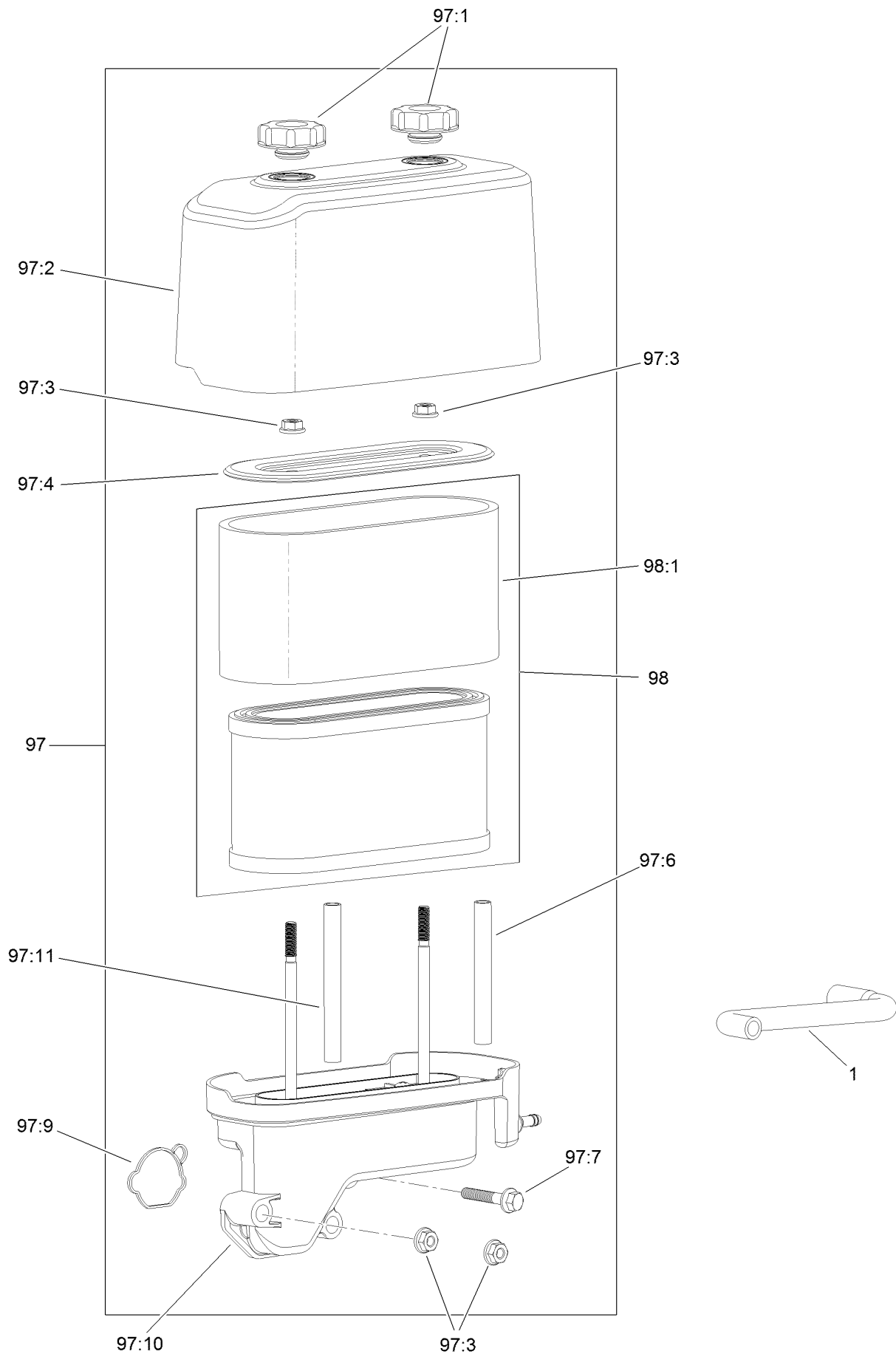


Fuel System Assembly (continued)

| <i>Ref.</i> | <i>Part Number</i> | <i>Qty.</i> | <i>Description</i> | <i>Ref.</i> | <i>Part Number</i> | <i>Qty.</i> | <i>Description</i> |
|-------------|--------------------|-------------|----------------------|-------------|--------------------|-------------|---------------------------------|
| 1 | 133-1563 | 1 | Filter-Fuel | 14 | 120-4202 | 2 | Stud-Mount, Carburetor |
| 2 | 120-4251 | 4 | Clamp-Fuel Line | 15 | 120-4248 | 1 | Shield-Heat |
| 3 | 120-4371 | 1 | Line-Fuel | 16 | 120-4216 | 1 | Screw-HHF |
| 4 | 120-4353 | 1 | Pump-Pulse, Fuel | 96 | 127-9194 | 1 | Carb Repair Kit With Gaskets |
| 5 | 120-4232 | 2 | Screw-HHF | 97 | 127-9190 | 1 | Solenoid Kit |
| 6 | 121-0114 | 2 | Clamp-Hose | 98 | 127-9183 | 1 | Carburetor Kit |
| 7 | 120-4372 | 1 | Line-Pulse | 98:5 | 127-9185 | 1 | Gasket-Carburetor |
| 8 | 120-4287 | 1 | Clamp-J | 98:6 | 120-4247 | 2 | Gasket-Carburetor |
| 9 | 120-4217 | 1 | Screw-Shoulder, HH | 98:7 | 120-4250 | 1 | Gasket-Carburetor |
| 10 | 120-4370 | 1 | Line-Fuel | 99 | 133-9929 | 1 | High Altitude Kit (1P92) ● |
| 11 | 120-4249 | 1 | Insulator-Carburetor | | | | |

● Not illustrated

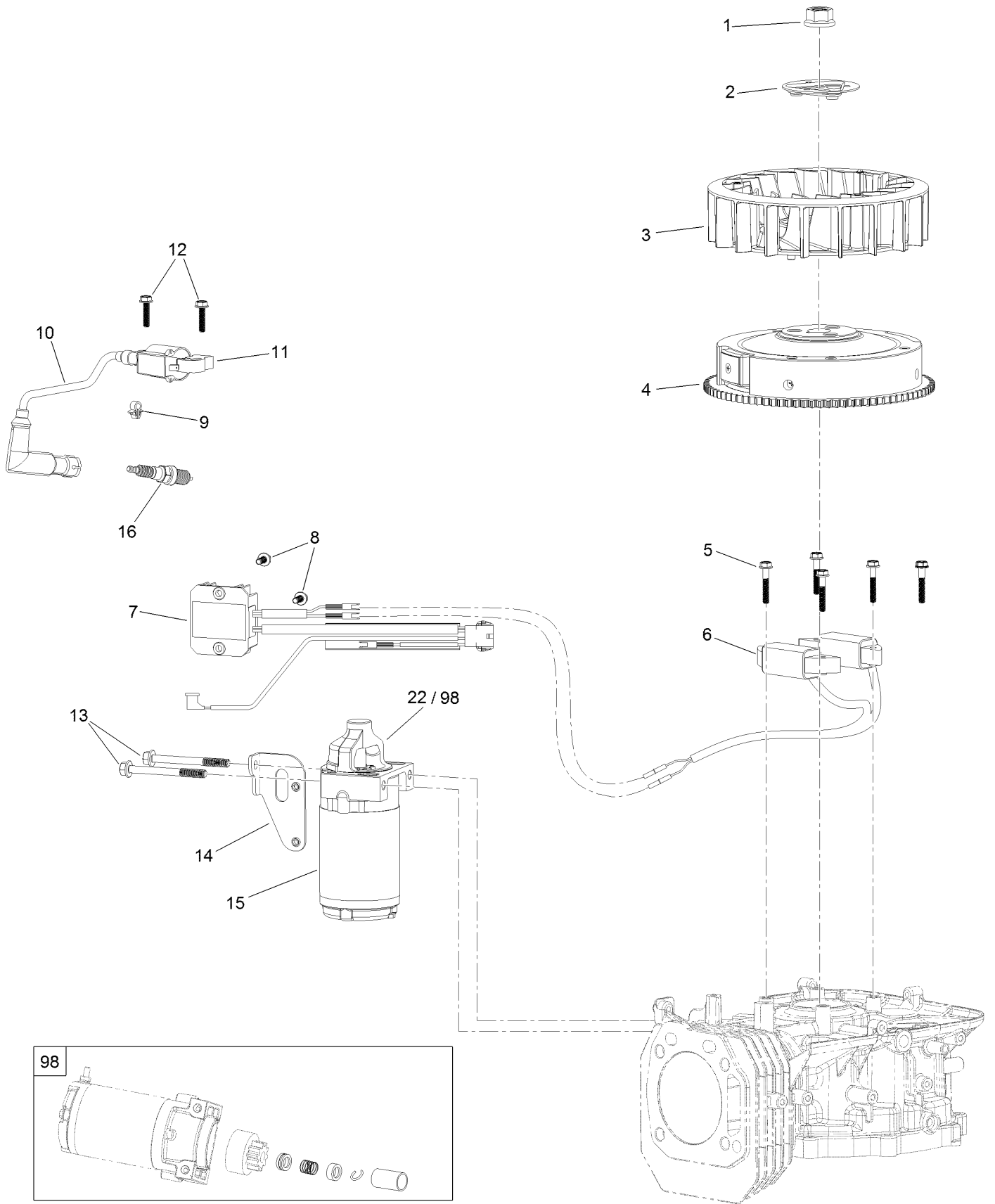
Air Intake and Filtration Assembly



Air Intake and Filtration Assembly (continued)

| <i>Ref.</i> | <i>Part Number</i> | <i>Qty.</i> | <i>Description</i> | <i>Ref.</i> | <i>Part Number</i> | <i>Qty.</i> | <i>Description</i> |
|-------------|--------------------|-------------|---------------------|-------------|--------------------|-------------|--------------------|
| 1 | 120-4255 | 1 | Tube-Breather | 97:7 | 120-4284 | 1 | Screw-HHF |
| 97 | 127-9186 | 1 | Air Cleaner Kit | 97:9 | 127-9185 | 1 | Gasket-Carburetor |
| 97:1 | 120-4312 | 2 | Nut-Speed | 97:10 | 127-9191 | 1 | Base-Filter, Air |
| 97:2 | 120-4311 | 1 | Cover-Filter, Air | 97:11 | 120-4334 | 1 | Spacer-Filter, Air |
| 97:3 | 120-4236 | 4 | Nut-Flange | 98 | 127-9193 | 1 | Air Filter Kit |
| 97:4 | 120-4310 | 1 | Retainer-Air Filter | 98:1 | 120-4309 | 1 | Prefilter |
| 97:6 | 120-4333 | 1 | Spacer-Filter, Air | | | | |

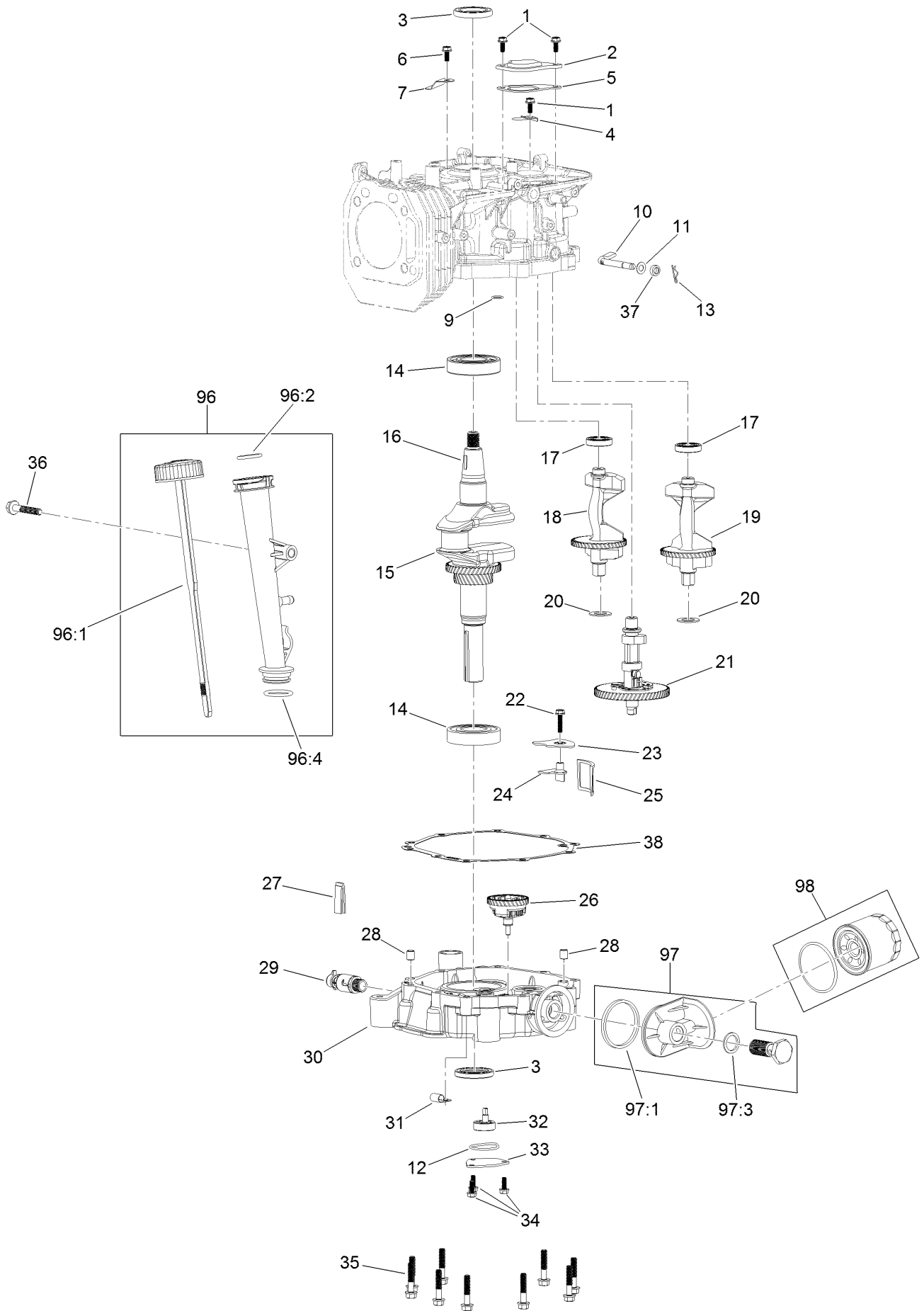
Ignition and Electrical Assembly



Ignition and Electrical Assembly (continued)

| <i>Ref.</i> | <i>Part Number</i> | <i>Qty.</i> | <i>Description</i> | <i>Ref.</i> | <i>Part Number</i> | <i>Qty.</i> | <i>Description</i> |
|-------------|--------------------|-------------|--------------------|-------------|--------------------|-------------|--------------------|
| 1 | 120-4213 | 1 | Nut-Flange | 10 | 120-4226 | 1 | Boot-Plug, Spark |
| 2 | 120-4212 | 1 | Pulley-Starter | 11 | 127-9177 | 1 | Ignition Coil ASM |
| 3 | 120-4211 | 1 | Fan-Cooling | 12 | 120-4225 | 2 | Screw-HHF |
| 4 | 120-4399 | 1 | Flywheel | 13 | 120-4231 | 2 | Screw-HHF |
| 5 | 120-4223 | 4 | Screw-HHF | 14 | 120-4230 | 1 | Bracket-Starter |
| 6 | 127-9176 | 1 | Alternator | 15 | 133-9832 | 1 | Motor-Starter |
| 7 | 127-9178 | 1 | Voltage Regulator | 16 | 77-7330 | 1 | Plug-Spark |
| 8 | 120-4216 | 3 | Screw-HHF | 22 | 133-1562 | 1 | Pinion-Starter |
| 9 | 120-4316 | 1 | Clamp-Wire | 98 | 120-4392 | 1 | Starter Repair Kit |

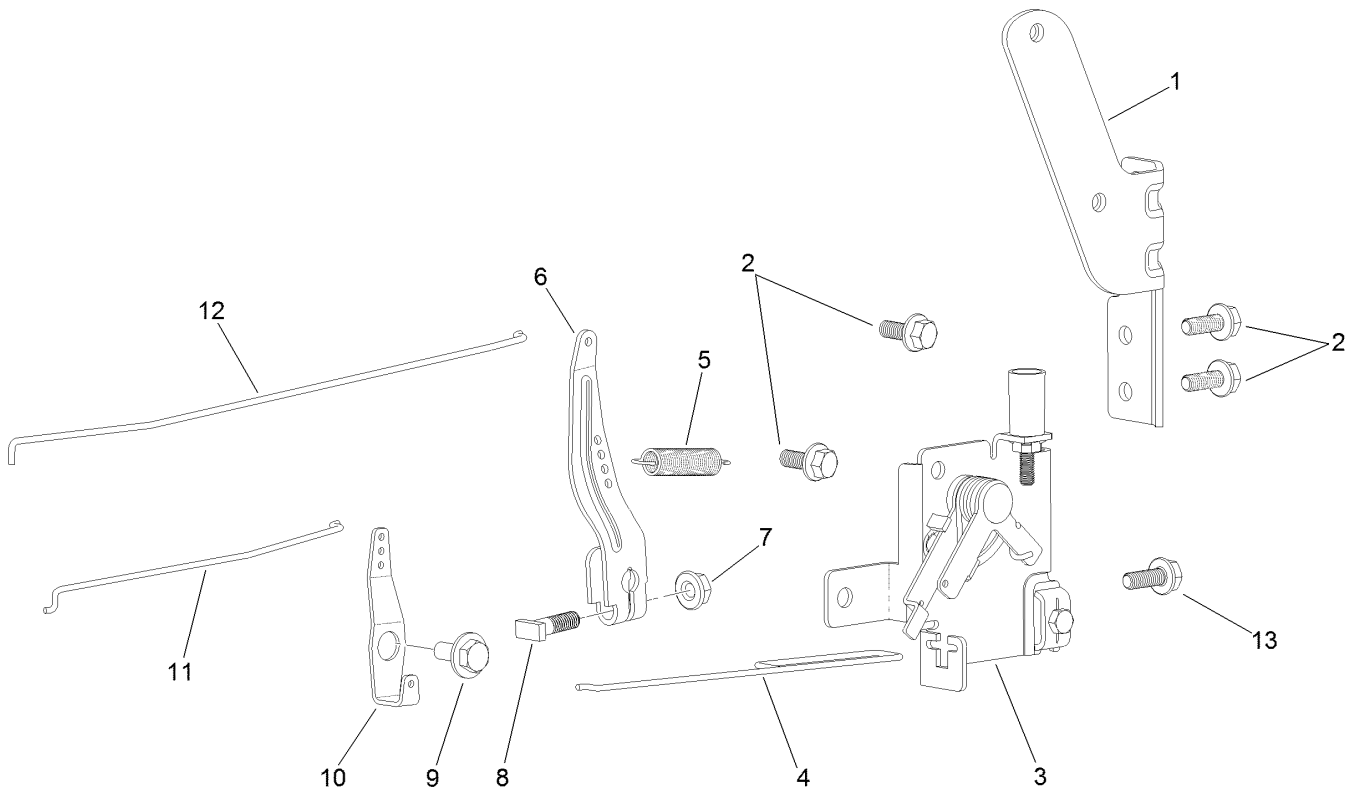
Crankcase Assembly



Crankcase Assembly (continued)

| <i>Ref.</i> | <i>Part Number</i> | <i>Qty.</i> | <i>Description</i> | <i>Ref.</i> | <i>Part Number</i> | <i>Qty.</i> | <i>Description</i> |
|-------------|--------------------|-------------|---------------------|-------------|--------------------|-------------|-----------------------|
| 1 | 120-4216 | 3 | Screw-HHF | 25 | 120-4341 | 1 | Strainer-Oil |
| 2 | 120-4265 | 1 | Plate-Breather | 26 | 120-4338 | 1 | Gear-Governor |
| 3 | 120-4267 | 2 | Seal-Oil | 27 | 120-4275 | 1 | Deflector-Oil, Rubber |
| 4 | 120-4263 | 1 | Valve-Reed | 28 | 120-4274 | 2 | Pin-Dowel |
| 5 | 120-4264 | 1 | Gasket-Breather | 29 | 120-4321 | 1 | Valve-Drain, Oil |
| 6 | 120-4234 | 1 | Screw-HHF | 30 | 120-4327 | 1 | Cover-Crankcase |
| 7 | 120-4268 | 1 | Retainer | 31 | 127-9188 | 1 | Clamp-Hose |
| 9 | 120-4262 | 1 | O-Ring | 32 | 120-4344 | 1 | Oil Pump ASM |
| 10 | 120-4382 | 1 | Shaft-Governor | 33 | 120-4270 | 1 | Cover-Pump, Oil |
| 11 | 120-4258 | 1 | Washer-Plain | 34 | 120-4232 | 3 | Screw-HHF |
| 12 | 120-4343 | 1 | Seal-Pump, Oil | 35 | 120-4273 | 10 | Screw-HHF |
| 13 | 120-4256 | 1 | Pin-Hair | 36 | 120-4284 | 1 | Screw-HHF |
| 14 | 120-4261 | 2 | Bearing-Ball | 37 | 120-4257 | 1 | Seal-Oil |
| 15 | 120-4293 | 1 | Crankshaft | 38 | 120-4260 | 1 | Gasket-Crankcase |
| 16 | 120-4320 | 1 | Key-Woodruff | 96 | 120-4355 | 1 | Dipstick And Tube Kit |
| 17 | 120-4266 | 2 | Bearing-Ball | 96:1 | 120-4350 | 1 | Dipstick ASM |
| 18 | 127-9179 | 1 | Shaft-Balance, R | 96:2 | 120-4348 | 1 | O-Ring |
| 19 | 127-9180 | 1 | Shaft-Balance, L | 96:4 | 120-4282 | 1 | O-Ring |
| 20 | 120-4295 | 2 | Washer | 97 | 120-4363 | 1 | Oil Adaptor Kit |
| 21 | 120-4297 | 1 | Camshaft | 97:1 | 120-4362 | 1 | Seal-Adaptor, Oil |
| 22 | 120-4225 | 1 | Screw-HHF | 97:3 | 120-4360 | 1 | Washer-Filter, Oil |
| 23 | 120-4342 | 1 | Cover-Strainer, Oil | 98 | 120-4276 | 1 | Filter-Oil |
| 24 | 120-4279 | 1 | Plate-Baffle, Oil | | | | |

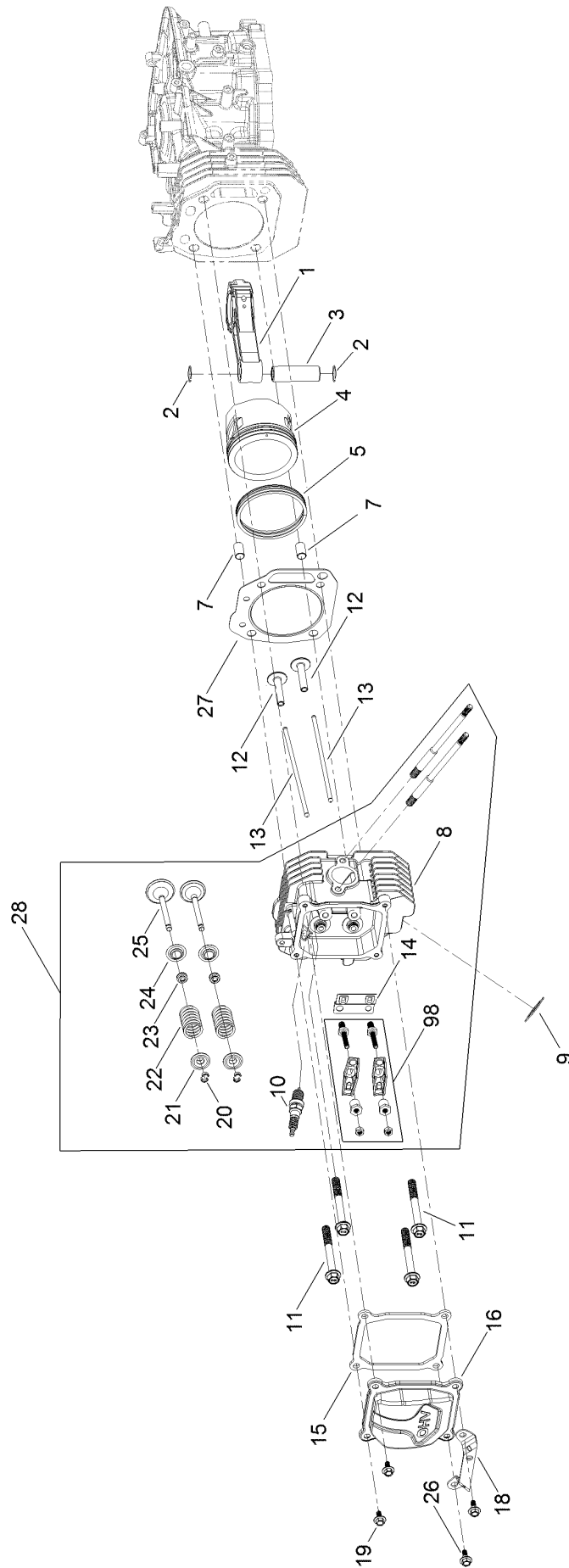
Governor Control Assembly



Governor Control Assembly (continued)

| <i>Ref.</i> | <i>Part Number</i> | <i>Qty.</i> | <i>Description</i> | <i>Ref.</i> | <i>Part Number</i> | <i>Qty.</i> | <i>Description</i> |
|-------------|--------------------|-------------|--------------------|-------------|--------------------|-------------|---------------------|
| 1 | 120-4357 | 1 | Bracket-Pump, Fuel | 8 | 120-4238 | 1 | Bolt-Arm, Governor |
| 2 | 120-4234 | 4 | Screw-HHF | 9 | 120-4241 | 1 | Screw-Shoulder, HHF |
| 3 | 120-4358 | 1 | Control-Throttle | 10 | 120-4242 | 1 | Bellcrank-Choke |
| 4 | 120-4243 | 1 | Rod-Throttle | 11 | 120-4240 | 1 | Rod-Choke |
| 5 | 120-4337 | 1 | Spring-Governor | 12 | 120-4239 | 1 | Rod-Governor |
| 6 | 120-4237 | 1 | Arm-Governor | 13 | 120-4232 | 1 | Screw-HHF |
| 7 | 120-4236 | 1 | Nut-Flange | | | | |

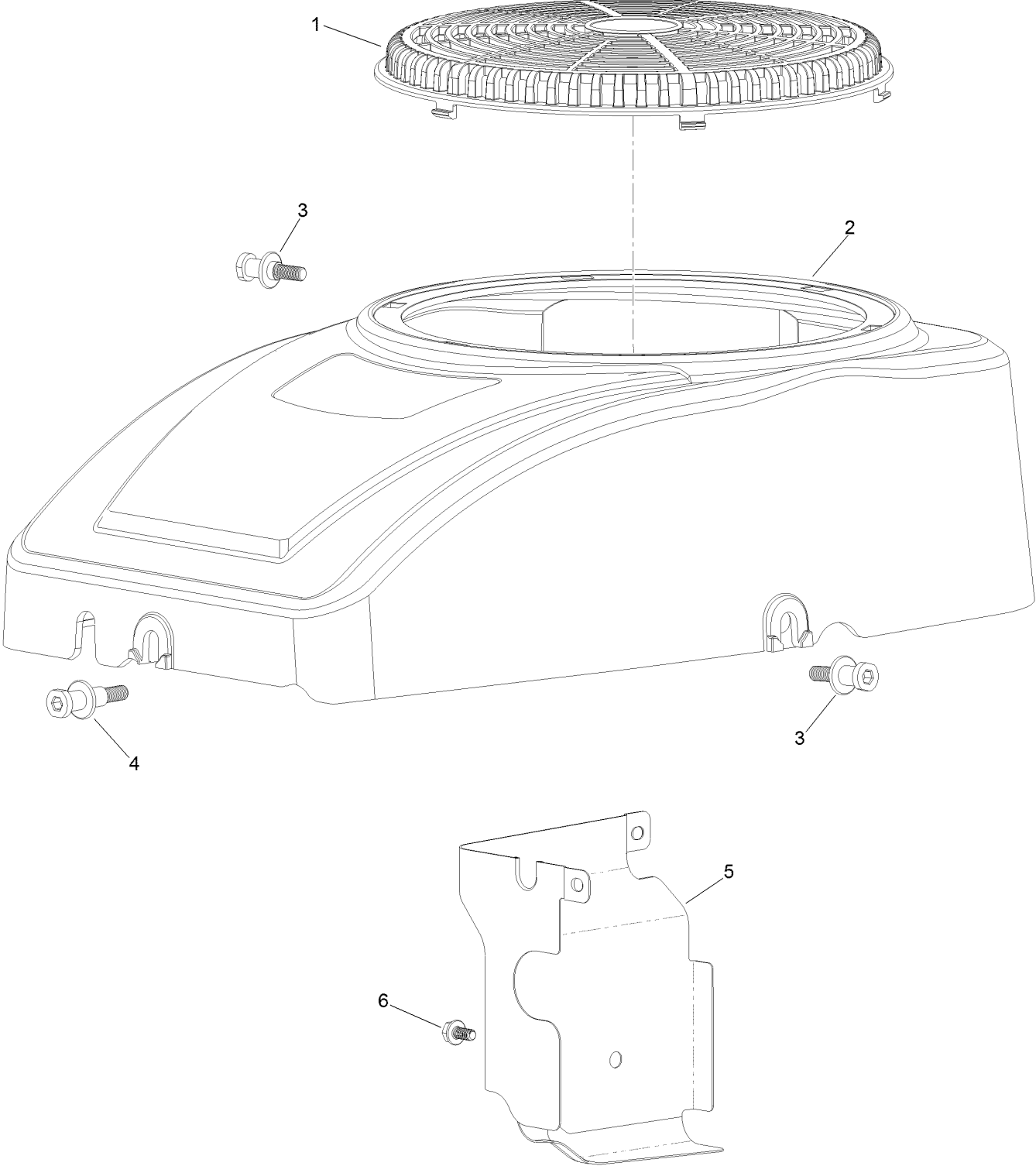
Piston and Cylinder Head Assembly



Piston and Cylinder Head Assembly (continued)

| <i>Ref.</i> | <i>Part Number</i> | <i>Qty.</i> | <i>Description</i> | <i>Ref.</i> | <i>Part Number</i> | <i>Qty.</i> | <i>Description</i> |
|-------------|--------------------|-------------|----------------------------|-------------|--------------------|-------------|------------------------|
| 1 | 120-4292 | 1 | Connecting Rod ASM | 16 | 120-4207 | 1 | Cover-Valve |
| 2 | 120-4288 | 2 | Ring-Retaining, Piston Pin | 18 | 120-4345 | 1 | Bracket-Muffler |
| 3 | 120-4291 | 1 | Pin-Piston | 19 | 120-4209 | 2 | Screw-Shoulder, HHF |
| 4 | 120-4290 | 1 | Piston | 20 | 120-4307 | 4 | Keeper-Valve |
| 5 | 120-4289 | 1 | Ring Set | 21 | 120-4306 | 2 | Retainer-Spring, Valve |
| 7 | 120-4200 | 2 | Pin-Dowel | 22 | 120-4305 | 2 | Spring-Valve |
| 8 | 120-4203 | 1 | Head-Cylinder | 23 | 120-4304 | 2 | Seal-Stem, Valve |
| 9 | 120-4317 | 1 | Gasket-Exhaust | 24 | 120-4303 | 2 | Seat-Spring, Valve |
| 10 | 120-4204 | 1 | Plug-Spark | 25 | 120-4302 | 2 | Valve Set |
| 11 | 120-4205 | 4 | Screw-HHF | 26 | 120-4210 | 2 | Screw-Shoulder, HHF |
| 12 | 120-4298 | 2 | Lifter-Valve | 27 | 120-4201 | 1 | Gasket-Cylinder |
| 13 | 120-4340 | 2 | Rod-Push | 28 | 133-9845 | 1 | Complete Head ASM |
| 14 | 120-4300 | 1 | Plate-Guide, Push Rod | 98 | 120-4301 | 1 | Rocker Arm Kit |
| 15 | 120-4206 | 1 | Gasket-Cover, Valve | | | | |

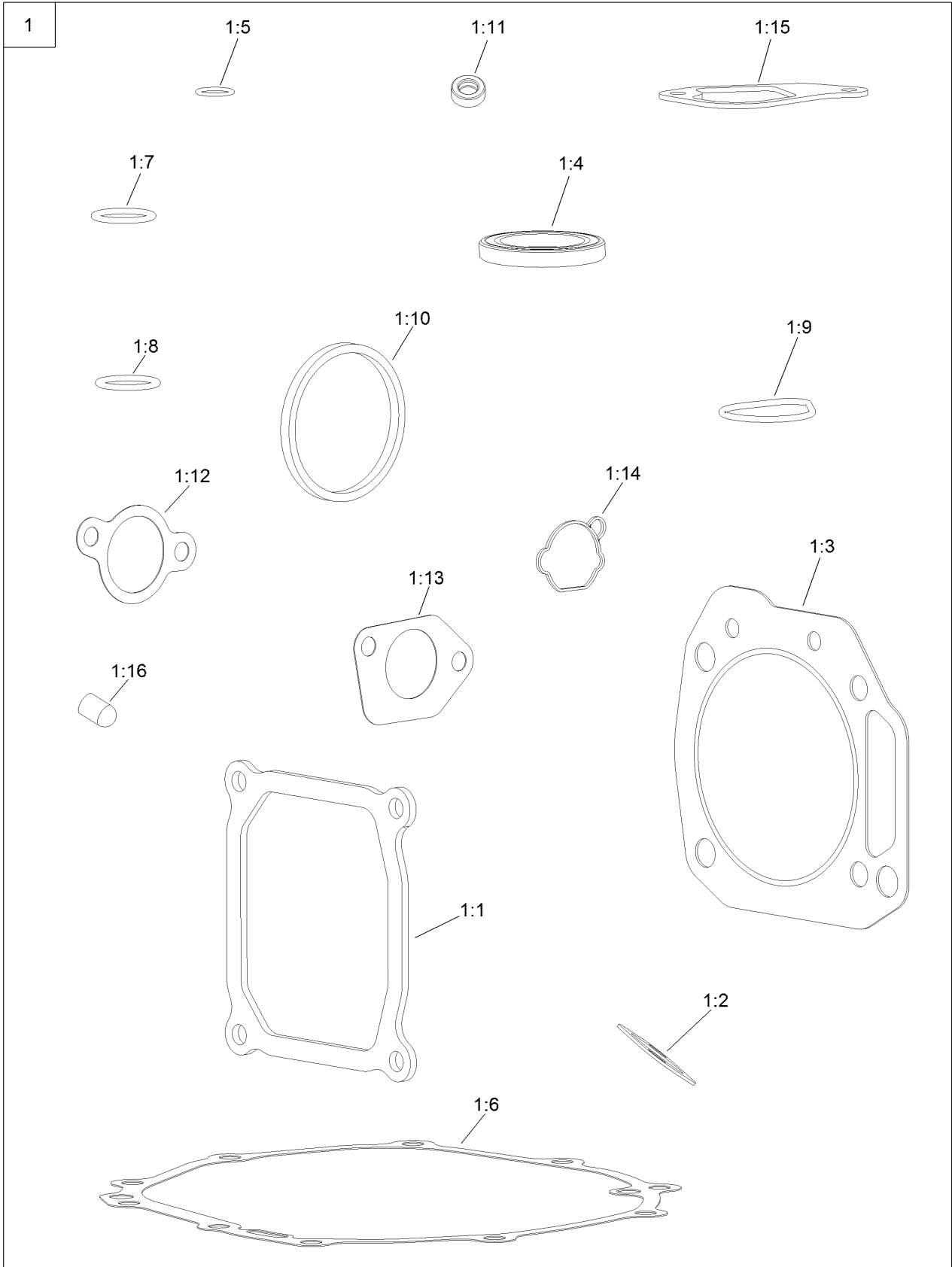
Blower Housing Assembly



Blower Housing Assembly (continued)

| <i>Ref.</i> | <i>Part Number</i> | <i>Qty.</i> | <i>Description</i> | <i>Ref.</i> | <i>Part Number</i> | <i>Qty.</i> | <i>Description</i> |
|-------------|--------------------|-------------|--------------------|-------------|--------------------|-------------|--------------------|
| 1 | 120-4219 | 1 | Screen-Stationary | 4 | 120-4214 | 1 | Screw-Shoulder, HH |
| 2 | 120-4218 | 1 | Shroud-Fan | 5 | 120-4215 | 1 | Shield |
| 3 | 120-4217 | 2 | Screw-Shoulder, HH | 6 | 120-4216 | 1 | Screw-HHF |

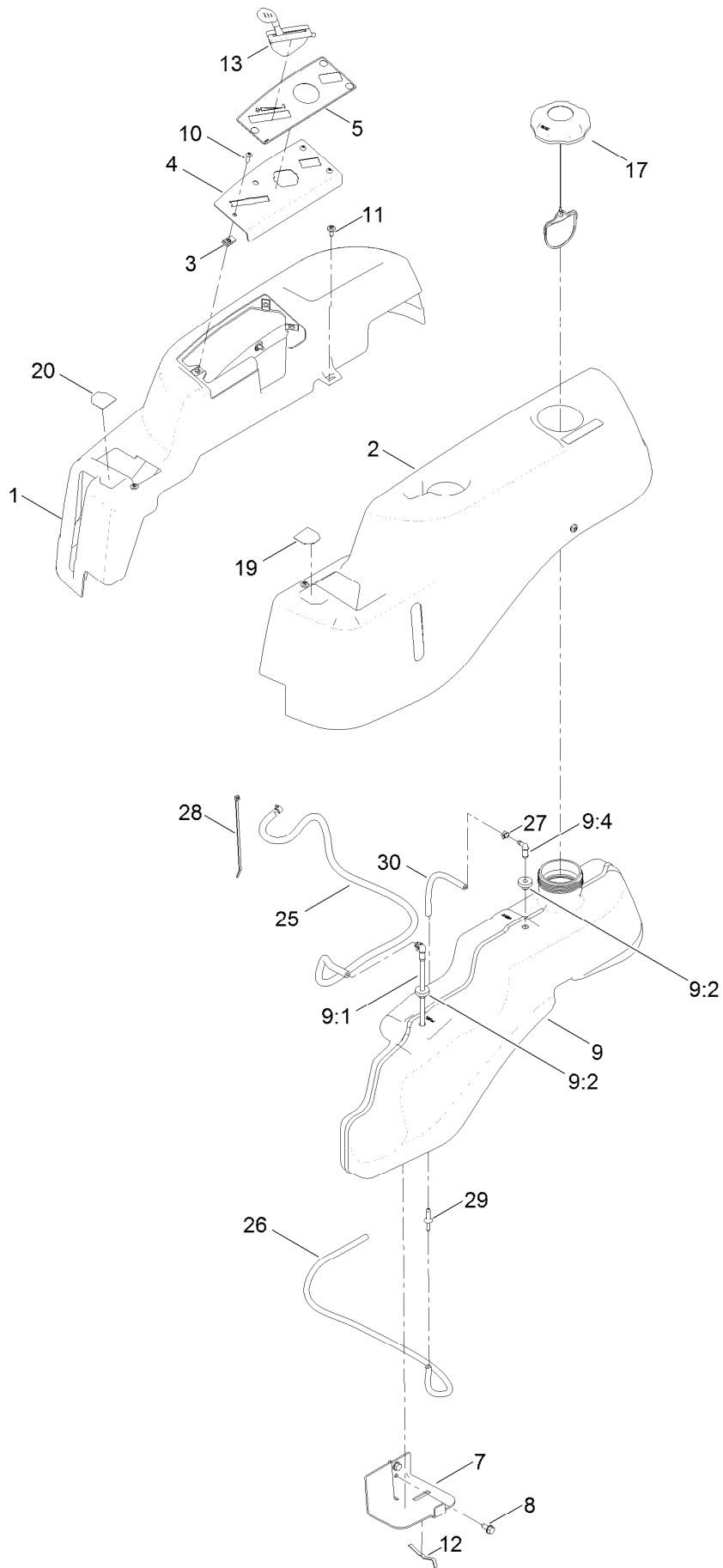
Gasket and Seal Kit Assembly



Gasket and Seal Kit Assembly (continued)

| <i>Ref.</i> | <i>Part Number</i> | <i>Qty.</i> | <i>Description</i> | <i>Ref.</i> | <i>Part Number</i> | <i>Qty.</i> | <i>Description</i> |
|-------------|--------------------|-------------|---------------------|-------------|--------------------|-------------|--------------------|
| 1 | 127-9192 | 1 | Gasket And Seal Kit | 1:9 | 120-4343 | 1 | Seal-Pump, Oil |
| 1:1 | 120-4206 | 1 | Gasket-Cover, Valve | 1:10 | 120-4362 | 1 | Seal-Adaptor, Oil |
| 1:2 | 120-4317 | 1 | Gasket-Exhaust | 1:11 | 120-4257 | 1 | Seal-Oil |
| 1:3 | 120-4201 | 1 | Gasket-Cyclinder | 1:12 | 120-4250 | 1 | Gasket-Carburetor |
| 1:4 | 120-4267 | 2 | Seal-Oil | 1:13 | 120-4247 | 2 | Gasket-Carburetor |
| 1:5 | 120-4262 | 1 | O-Ring | 1:14 | 127-9185 | 1 | Gasket-Carburetor |
| 1:6 | 120-4260 | 1 | Gasket-Crankcase | 1:15 | 120-4264 | 1 | Gasket-Breather |
| 1:7 | 120-4348 | 1 | O-Ring | 1:16 | 127-9189 | 1 | Cap-Seal |
| 1:8 | 120-4282 | 1 | O-Ring | | | | |

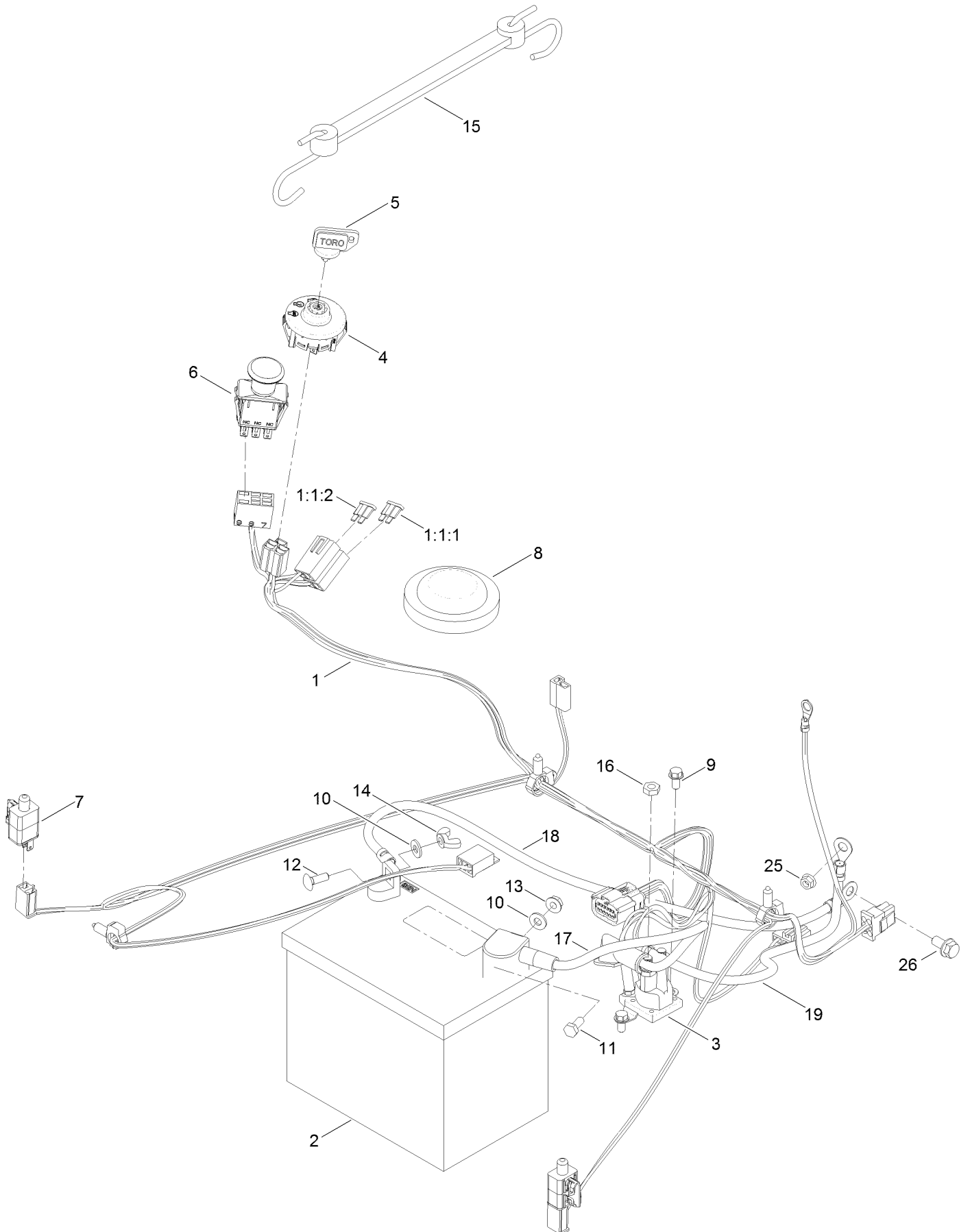
Body Styling and Fuel Tank Assembly



Body Styling and Fuel Tank Assembly (continued)

| <i>Ref.</i> | <i>Part Number</i> | <i>Qty.</i> | <i>Description</i> | <i>Ref.</i> | <i>Part Number</i> | <i>Qty.</i> | <i>Description</i> |
|-------------|--------------------|-------------|-------------------------|-------------|--------------------|-------------|--------------------------|
| 1 | 119-3335 | 1 | Pod-RH | 11 | 120-7950 | 6 | Screw-Shoulder |
| 2 | 119-3334 | 1 | Pod-LH | 12 | 609830 | 2 | Spring |
| 3 | 107069 | 3 | Clip | 13 | 121-0767 | 1 | Cable-Throttle And Choke |
| 4 | 119-3378-03 | 1 | Plate-Control | 17 | 120-5461 | 1 | Cap-Fuel, Ratcheting |
| 5 | 121-0771 | 1 | Decal-Panel, Control | 19 | 119-8814 | 1 | Decal-Control Lever, LH |
| 7 | 119-3476-03 | 1 | Support-Tank, Front | 20 | 119-8815 | 1 | Decal-Control Lever, RH |
| 8 | 32144-70 | 2 | Screw-HWHTF | 25 | 109-0307 | 1 | Hose-Fuel |
| 9 | 119-3324 | 1 | Fuel Tank ASM | 26 | 110-3254 | 1 | Hose-Fuel |
| 9:1 | 121-0793 | 1 | Connector-Elbow, 90 DEG | 27 | 2412-98 | 3 | Clamp-Hose |
| 9:2 | 46-6560 | 2 | Bushing | 28 | 614249 | 3 | Tie-Cable |
| 9:4 | 117-7400 | 1 | Fitting-Plastic | 29 | 117-5399 | 1 | Adaptor-Orifice |
| 10 | 3258-166 | 3 | Screw-PRH | 30 | 110-1876 | 1 | Hose-Fuel |

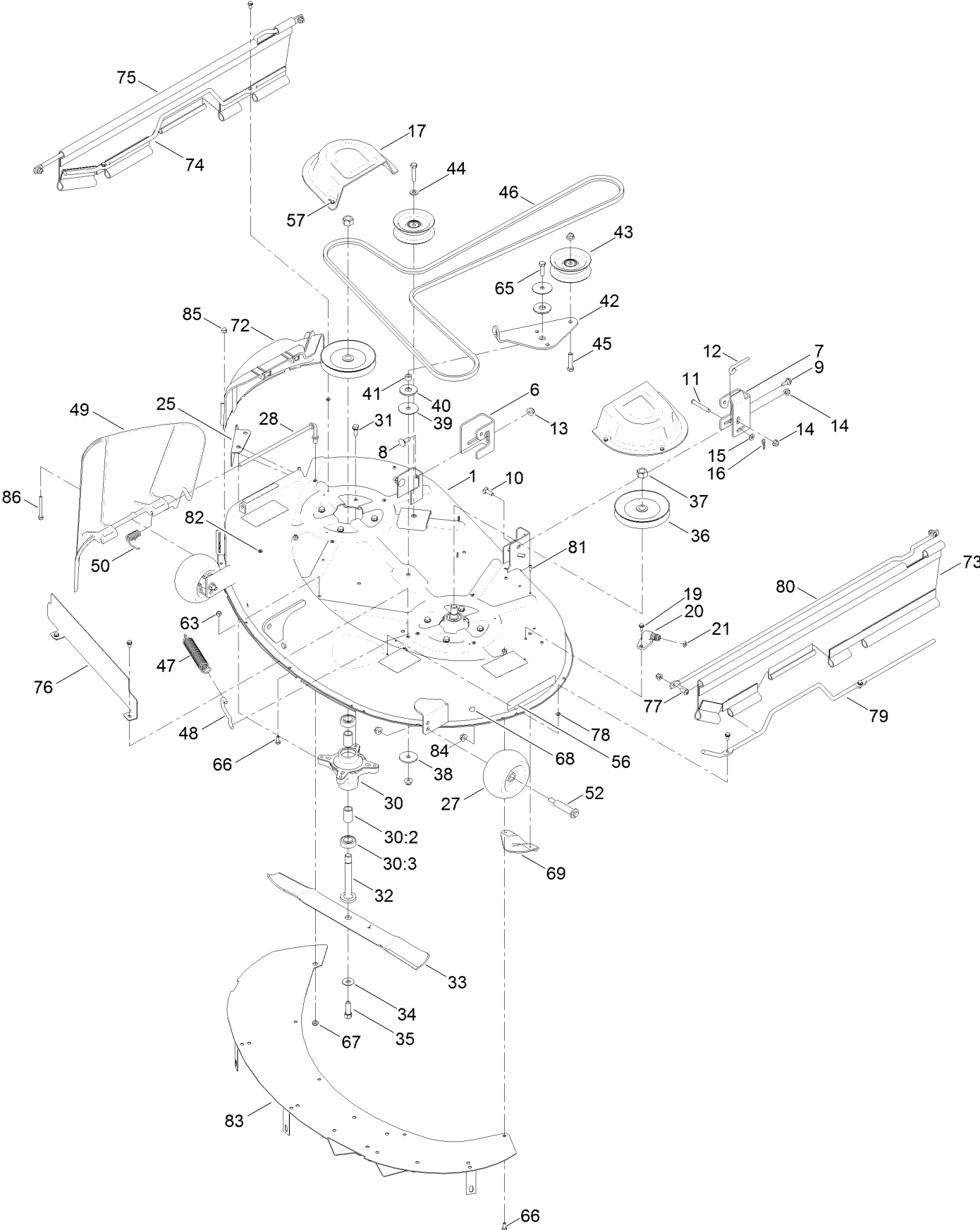
Battery and Electrical Assembly



Battery and Electrical Assembly (continued)

| <i>Ref.</i> | <i>Part Number</i> | <i>Qty.</i> | <i>Description</i> | <i>Ref.</i> | <i>Part Number</i> | <i>Qty.</i> | <i>Description</i> |
|-------------|--------------------|-------------|--------------------|-------------|--------------------|-------------|-------------------------|
| 1 | 136-7482 | 1 | Harness-Wire | 11 | 321-3 | 1 | Screw-HH |
| 1:1:1 | 109103 | 1 | Fuse-Blade, 30 Amp | 12 | 3229-1 | 1 | Bolt-CARR |
| 1:1:2 | 109102 | 1 | Fuse-Blade, 25 Amp | 13 | 32128-33 | 1 | Nut-HF |
| 2 | 105-1692 | 1 | Battery-Dry | 14 | 32103-22 | 1 | Nut-Wing |
| 3 | 117-1197 | 1 | Solenoid | 15 | 104-2466 | 1 | Holddown-Battery |
| 4 | 117-2221 | 1 | Switch-Ignition | 16 | 3220-2 | 2 | Nut-Jam |
| 5 | 63-8360 | 1 | Key-Ignition | 17 | 119-8897 | 1 | Cable-Battery, Red |
| 6 | 103-5221 | 1 | Switch-PTO | 18 | 121-0711 | 1 | Cable-Battery, Positive |
| 7 | 110-6765 | 2 | Switch | 19 | 119-8899 | 1 | Cable-Battery, Black |
| 8 | 100-3524 | 1 | Switch-Seat | 25 | 33003-00 | 1 | Nut-HF |
| 9 | 32144-4 | 2 | Screw-HWH | 26 | 3234-14 | 1 | Screw-HHF |
| 10 | 3256-22 | 2 | Washer-Flat | | | | |

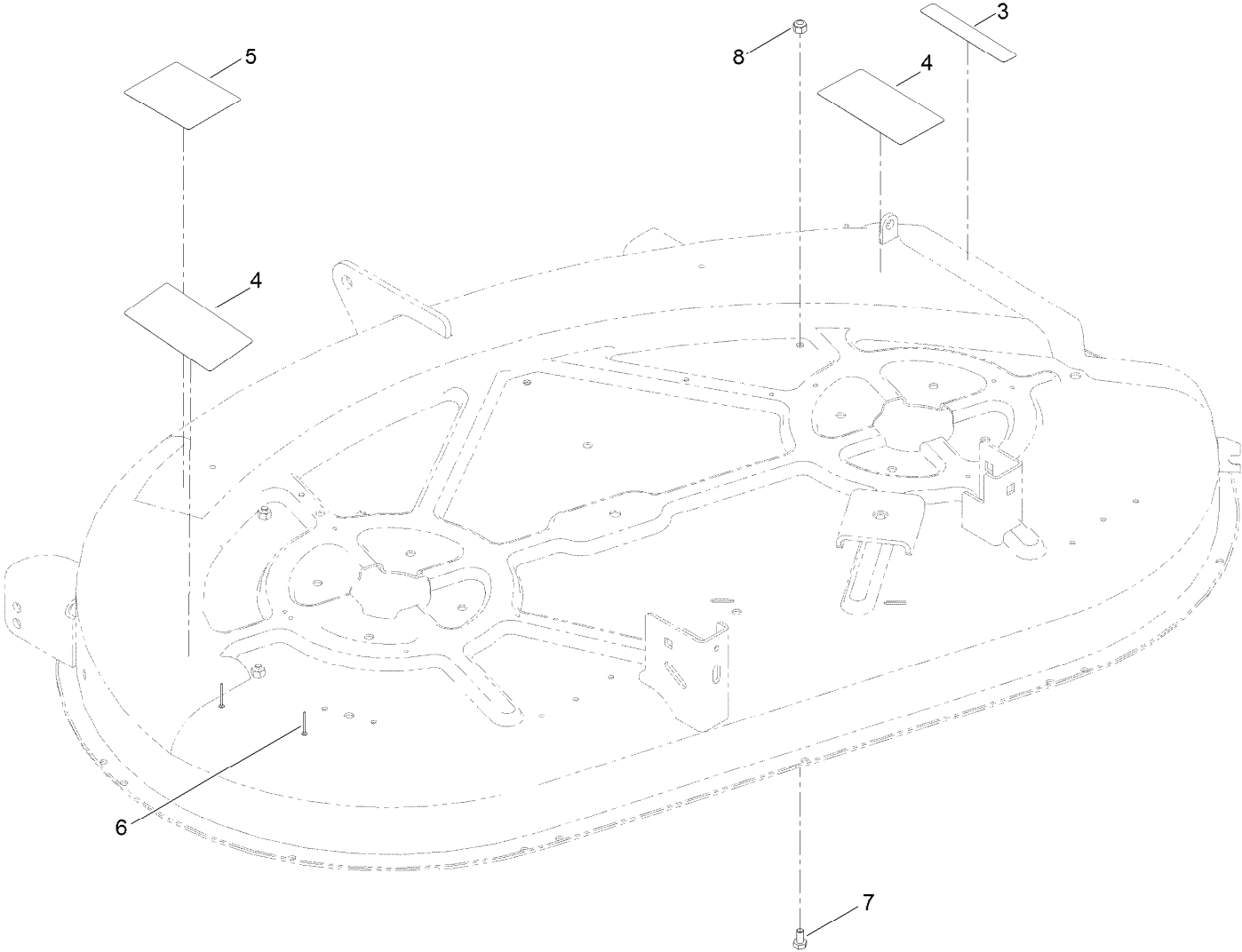
42 Inch Deck Assembly



42 Inch Deck Assembly (continued)

| <i>Ref.</i> | <i>Part Number</i> | <i>Qty.</i> | <i>Description</i> | <i>Ref.</i> | <i>Part Number</i> | <i>Qty.</i> | <i>Description</i> |
|-------------|--------------------|-------------|-------------------------------|-------------|--------------------|-------------|-----------------------|
| 1 | 131-3604 | 1 | 42 Inch Deck And Decal ASM | 42 | 114-8540 | 1 | Arm-Idler |
| 6 | 131-4138 | 1 | Bracket-Hanger, RH | 43 | 106-2175 | 2 | Pulley-Idler, Flat |
| 7 | 131-1091 | 1 | Bracket-Hanger, LH | 44 | 3256-24 | 1 | Washer-Flat |
| 8 | 3231-2 | 2 | Bolt-CARR | 45 | 323-9 | 2 | Screw-HH |
| 9 | 120-7024 | 1 | Screw-Shoulder, HHF | 46 | 119-8819 | 1 | V-Belt |
| 10 | 3230-22 | 1 | Screw-CARR | 47 | 106-2177 | 1 | Spring-Extension |
| 11 | 110-0618 | 1 | Pin-Clevis | 48 | 88-5970 | 1 | Hook-Return, Spring |
| 12 | 131-0955 | 1 | Rod-Level, Deck | 49 | 112-3951 | 1 | Deflector |
| 13 | 104-8301 | 6 | Nut-Flange, NI | 50 | 110-6694 | 1 | Spring-Torsion |
| 14 | 104-8300 | 6 | Nut-Flange, NI | 52 | 112-3977 | 2 | Bolt-Shoulder |
| 15 | 3256-23 | 1 | Washer-Flat | 56 | 119-2368 | 1 | Decal-Recycler |
| 16 | 1-806003 | 1 | Pin-Cotter | 57 | 32144-1 | 6 | Screw-Taptite |
| 17 | 108-7889 | 2 | Cover-Belt | 63 | 3296-42 | 1 | Nut-Lock, NI |
| 19 | 32144-4 | 8 | Screw-HWH | 65 | 323-7 | 1 | Screw-HH |
| 20 | 95-2747 | 1 | Fitting-Washout | 66 | 321-3 | 4 | Screw-HH |
| 21 | 46-6290 | 1 | O-Ring | 67 | 3296-59 | 1 | Nut-Lock, NI |
| 25 | 112-3983-03 | 1 | Baffle-Cutoff | 68 | 322-2 | 3 | Screw-HH |
| 27 | 1-603299 | 2 | Roller-Scalp, Anti | 69 | 76-2160 | 3 | Plate-Kicker |
| 28 | 112-4026 | 1 | Rod-Pivot | 72 | 110-6682 | 1 | Cover-Discharge |
| 30 | 121-0751 | 2 | Spindle ASM | 73 | 131-3669 | 2 | Rod-Support, Upper |
| 30:2 | 120-7935 | 2 | Spacer | 74 | 131-3682 | 1 | RH Rod Support, Lower |
| 30:3 | 38-7820 | 2 | Bearing-Ball | 75 | 131-3698 | 1 | RH Guard Side |
| 31 | 32144-41 | 8 | Screw-Taptite | 76 | 131-3667-03 | 1 | Front Shield, 42 Deck |
| 32 | 117-7268 | 2 | Shaft-Spindle | 77 | 3274-55 | 4 | Screw-HSBH |
| 33 | 131-3938-03 | 2 | Blade-21.60 Inch | 78 | 1-803037 | 4 | Nut-Retaining |
| 34 | 3290-465 | 2 | Washer-Belleville | 79 | 131-3683 | 1 | LH Rod Support, Lower |
| 35 | 26-0671 | 2 | Screw-HH | 80 | 131-3699 | 1 | LH Guard Side |
| 36 | 125-5574 | 2 | Pulley | 81 | 32144-111 | 6 | Screw-PPH |
| 37 | 3219-6 | 2 | Nut-Hex | 82 | 132-0900 | 6 | Nut-Retaining |
| 38 | 63-7400 | 1 | Washer-Rebound | 83 | 107-7316-03 | 1 | Baffle Upper ASM |
| 39 | 120-2229 | 2 | Washer | 84 | 32128-25 | 3 | Nut-HF |
| 40 | 114-0463 | 2 | Washer-Friction, Composite | 85 | 32111-7 | 2 | Nut-Cap |
| 41 | 115-4986 | 1 | Spacer | 86 | 321-15 | 2 | Screw-HH |

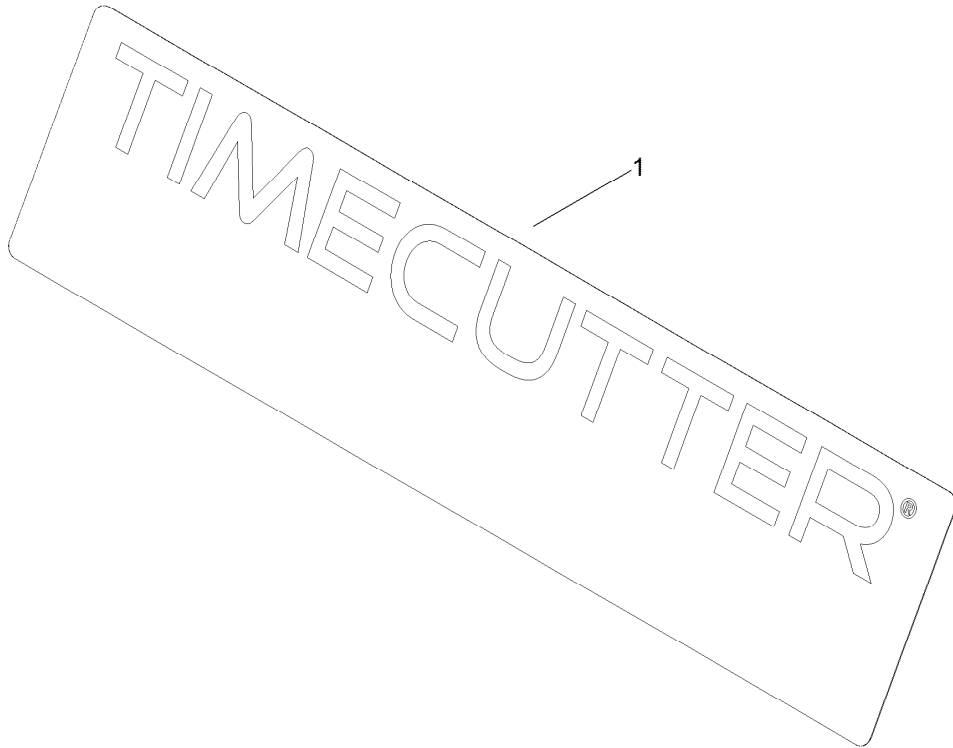
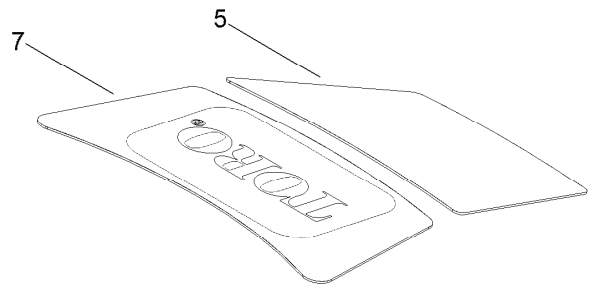
42 Inch Deck Decal Assembly No. 131-3604



42 Inch Deck Decal Assembly No. 131-3604 (continued)

| <i>Ref.</i> | <i>Part Number</i> | <i>Qty.</i> | <i>Description</i> | <i>Ref.</i> | <i>Part Number</i> | <i>Qty.</i> | <i>Description</i> |
|-------------|--------------------|-------------|---------------------|-------------|--------------------|-------------|--------------------|
| 3 | 93-7009 | 1 | Decal-Danger | 6 | 3290-282 | 2 | Rivet-Blind |
| 4 | 132-0872 | 2 | Decal-Danger, Deck | 7 | 321-2 | 3 | Screw-HH |
| 5 | 105-7015 | 1 | Decal-Routing, Belt | 8 | 3296-42 | 3 | Nut-Lock, NI |

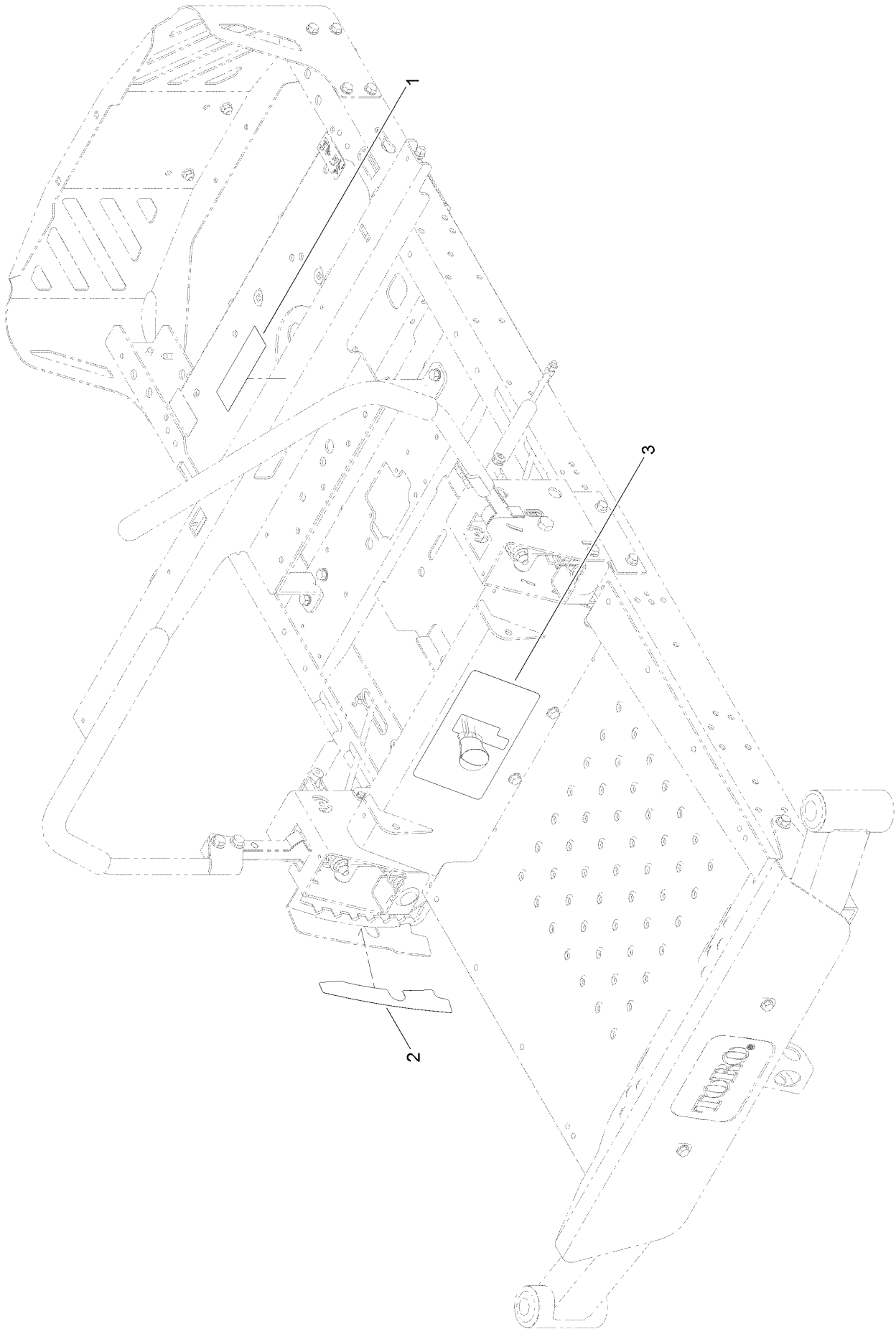
Model Specific Decal Assembly



Model Specific Decal Assembly (continued)

| <i>Ref.</i> | <i>Part Number</i> | <i>Qty.</i> | <i>Description</i> |
|-------------|--------------------|-------------|---------------------------|
| 1 | 121-3033 | 1 | Decal-Timecutter |
| 5 | 130-0682 | 1 | Decal-Engine Displacement |
| 7 | 125-1700 | 1 | Decal-Engine |

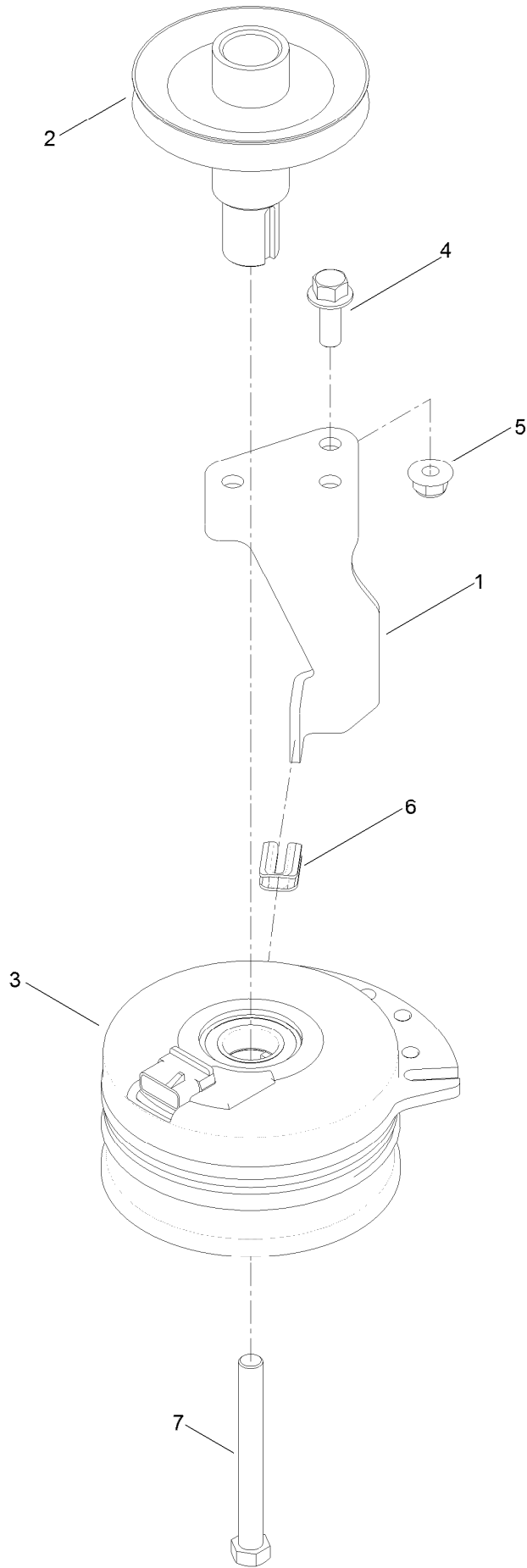
Frame Decal Assembly



Frame Decal Assembly (continued)

| <i>Ref.</i> | <i>Part Number</i> | <i>Qty.</i> | <i>Description</i> |
|-------------|--------------------|-------------|---------------------|
| 1 | 106-8717 | 1 | Decal-Service |
| 2 | 120-5469 | 1 | Decal |
| 3 | 131-3948 | 1 | Decal-Speed Control |

Clutch Assembly



Clutch Assembly (continued)

| <i>Ref.</i> | <i>Part Number</i> | <i>Qty.</i> | <i>Description</i> | <i>Ref.</i> | <i>Part Number</i> | <i>Qty.</i> | <i>Description</i> |
|-------------|--------------------|-------------|--------------------|-------------|--------------------|-------------|--------------------|
| 1 | 119-8884 | 1 | Stop-Clutch | 5 | 104-8301 | 1 | Nut-Flange, NI |
| 2 | 130-6854 | 1 | Pulley-Engine | 6 | 120-2217 | 1 | Isolator-Clutch |
| 3 | 117-7468 | 1 | Clutch-Electric | 7 | 3212-16 | 1 | Screw-HH |
| 4 | 3234-42 | 1 | Screw-HHF | | | | |

Attachments and Accessories

For 74655 TimeCutter ZS 4200S Riding Mower

| Product Name | Model/Part |
|-------------------------------------------------------------------------------|-------------------|
| 42in Blowout Ring Kit..... | 114-1620 |
| Hourmeter Kit | 116-5461 |
| All Season Synthetic Oil..... | 117-0066 |
| Fuel Stabilizer (4oz)..... | 117-0089 |
| Fuel Stabilizer (16oz)..... | 117-0090 |
| Seat With Armrests-18in..... | 119-8830 |
| Striping Kit | 120-7905 |
| Jack Mount Kit | 126-5251 |
| Jack Kit..... | 127-6666 |
| Replacement Blade Kit | 131-3939-03P |
| Attachment Mount Kit | 131-3966 |
| Weight Kit | 131-7658 |
| Deluxe Seat Kit..... | 131-7699 |
| Floor Mat Kit | 132-6921 |
| 10w30 4-cycle Engine Oil (32oz Bottle) | 38280 |
| Toro 4-cycle Sae 30 Oil (32oz Bottle)..... | 38903 |
| Storage Cover | 490-7516 |
| Foot Assist Deck Lift Kit, 2011 and After Zero-Turn-Radius Riding Mower | 79010 |
| Sunshade Kit | 79011 |
| Cargo Carrier..... | 79040 |
| Assist Handle and Step Kit | 79339 |
| 42in Bagger | 79391 |

Notes:

Notes:

Notes:



Count on it.