



**Count on it.**

**Parts Catalog**

**TimeCutter® ZS 3200S**

**Riding Mower**

Model No. 74650—Serial No. 400000000 and Up



# Ordering Replacement Parts

To order replacement parts, please supply the part number, the quantity, and the description of each part desired.

## Understanding Reference Numbers

Each identified part in an illustration has a reference number. The reference number for a part also appears in the parts list, along with other information about the part.

This catalog uses two special reference number formats, one to indicate parts in a service assembly and another to indicate the quantity of a given part in an illustration.

## Service Assembly Reference Numbers

Parts in service assemblies have reference numbers in the form a:b. The a represents the reference number of the entire service assembly and the b represents a sequential number unique to each part within the service assembly.

For example, a wheel assembly might be identified by reference number 6, the tire by 6:1, the valve by 6:2, and the wheel by 6:3. When you order the assembly identified by reference number 6, you receive all parts identified by reference numbers 6:1, 6:2, and 6:3. However, you may also order any part individually. Reference numbers of this type appear in illustration and in parts lists.

## Reference Numbers Indicating Quantity

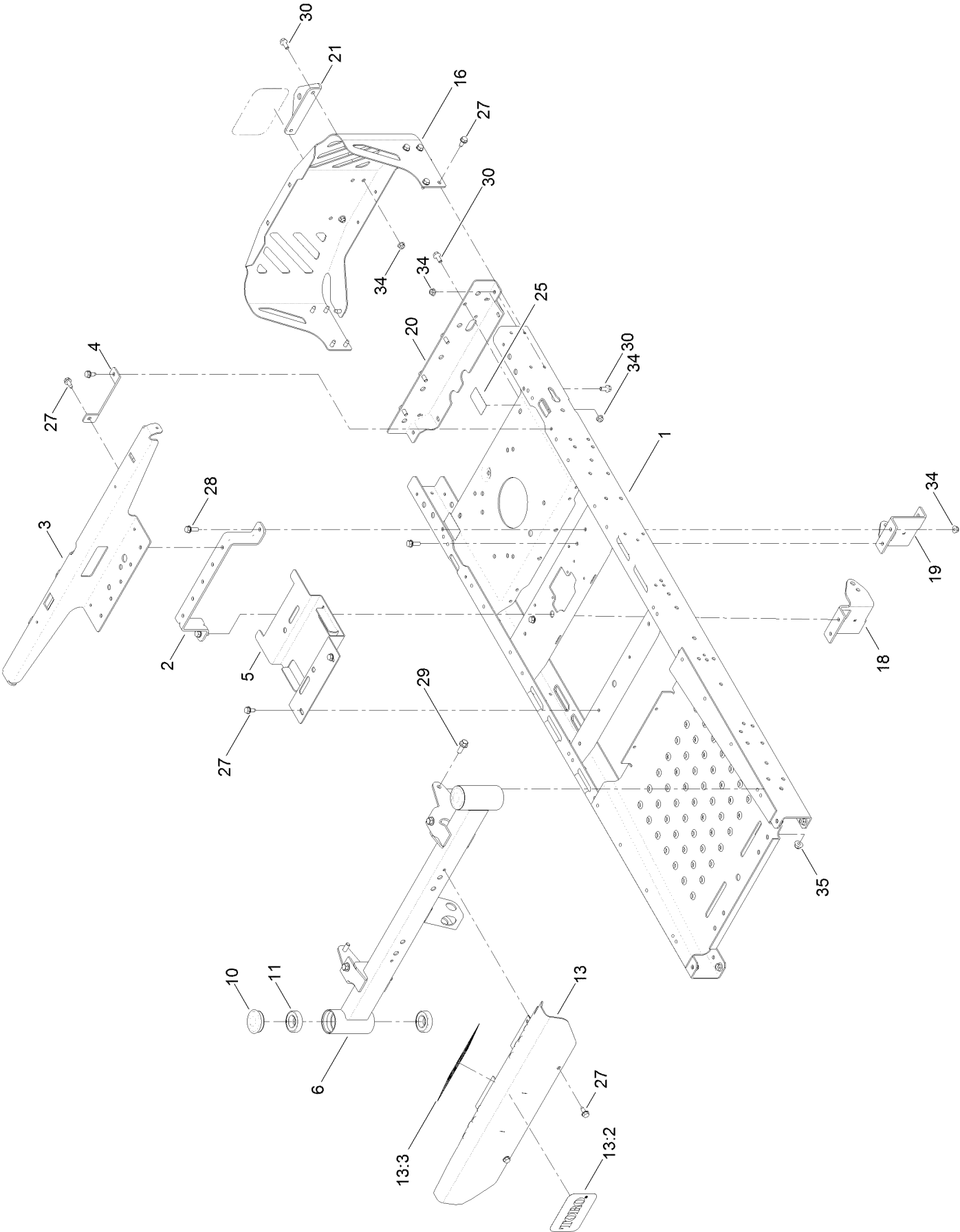
In an illustration, if a reference number indicates more than one part, the reference number has the form nX y. The n represents the quantity of the part, the X is the multiplication symbol, and the y represents the reference number.

For example, in an illustration, the reference number 2X 37 means that two of the parts identified by reference number 37 are indicated.

# Contents

Frame and Front Axle Assembly .....	4
Deck Lift Assembly.....	6
Caster, Wheel and Tire Assembly .....	8
Traction Drive Assembly .....	10
Left Hand Hydro Transaxle Assembly No. 119-3330 .....	12
Right Hand Hydro Transaxle Assembly No. 119-3331 .....	14
Brake Assembly .....	16
Rear Tire Assembly .....	18
Seat Assembly .....	20
Motion Control Assembly .....	22
Engine and Muffler Assembly.....	24
Fuel System Assembly .....	26
Air Intake and Filtration Assembly .....	28
Ignition and Electrical Assembly .....	30
Crankcase Assembly .....	32
Governor Control Assembly .....	34
Piston and Cylinder Head Assembly .....	36
Blower Housing Assembly .....	38
Gasket and Seal Kit Assembly .....	40
Body Styling and Fuel Tank Assembly .....	42
Battery and Electrical Assembly.....	44
32 Inch Deck Assembly.....	46
Model Specific Decal Assembly.....	48
Frame Decal Assembly .....	50
Clutch Assembly.....	52
Attachments and Accessories .....	54

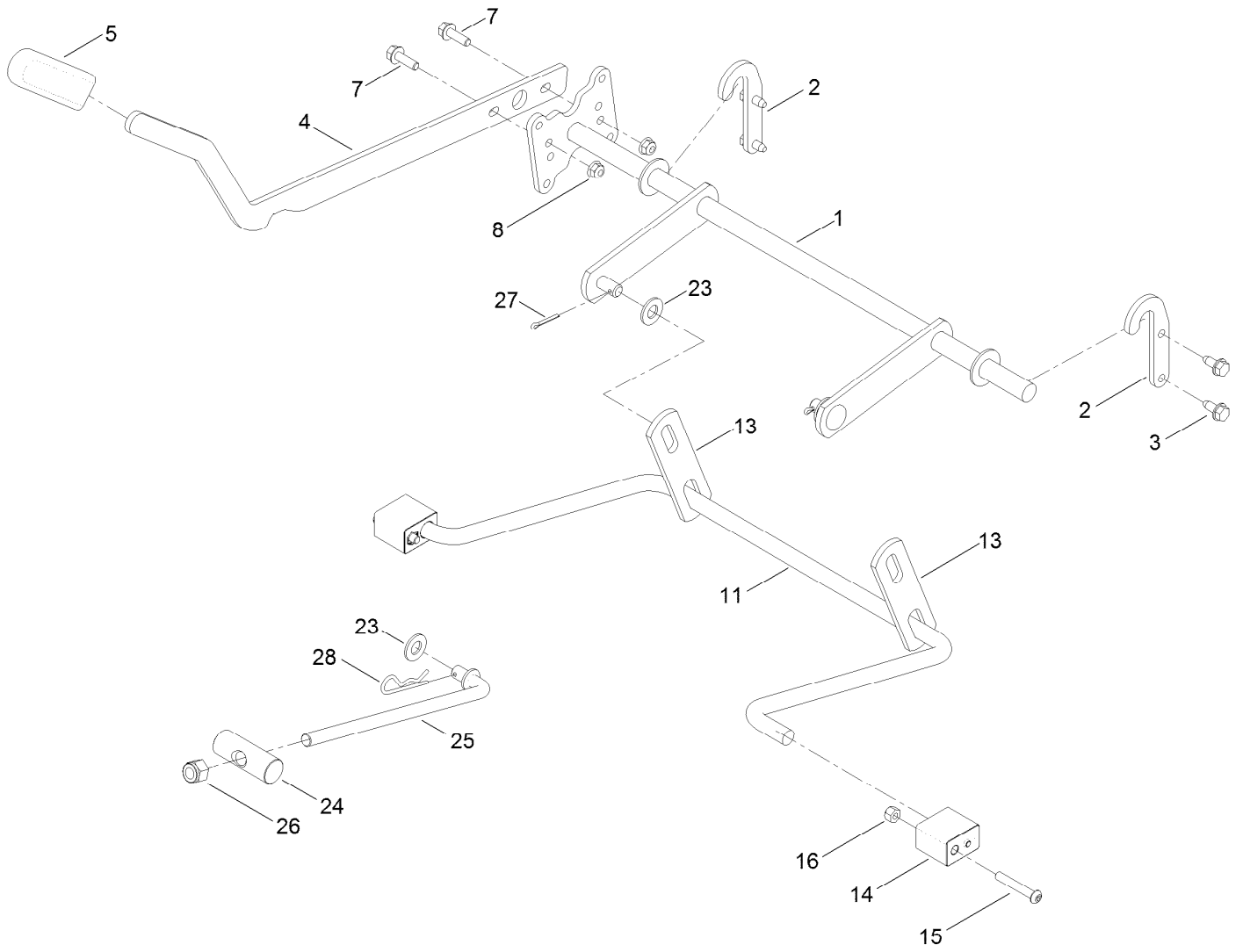
# Frame and Front Axle Assembly



## Frame and Front Axle Assembly (continued)

<i>Ref.</i>	<i>Part Number</i>	<i>Qty.</i>	<i>Description</i>	<i>Ref.</i>	<i>Part Number</i>	<i>Qty.</i>	<i>Description</i>
1	127-3444-01	1	Frame ASM	18	131-0901-01	1	Mount-Hydro, Front (Right)
2	119-3435-03	1	Brace-Seat, Rear (Narrow)	19	131-0902-01	1	Mount-Hydro, Front (Left)
3	131-1040-03	1	Support-Pod	20	130-6950-01	1	Crossmember-Rear, Narrow
4	119-3431-03	2	Support-Tank, Rear	21	117-1232-03	1	Bracket-Hitch
5	131-0914-03	1	Bracket-Battery	25	121-2989	2	Decal-Bypass
6	125-1742-01	1	Axle-Front, Narrow	27	32144-70	18	Screw-HWHTF
10	116-4348	2	Cap-Grease	28	3234-29	4	Screw-HHF
11	109-3678	4	Bearing-Ball	29	3234-42	6	Screw-HHF
13	132-0890	1	Footrest ASM	30	3234-47	8	Screw-HHF
13:2	105-8278	1	Decal	34	104-8300	12	Nut-Flange, NI
13:3	132-0869	1	Decal-Danger	35	104-8301	6	Nut-Flange, NI
16	127-3353-03	1	Guard-Engine, Narrow				

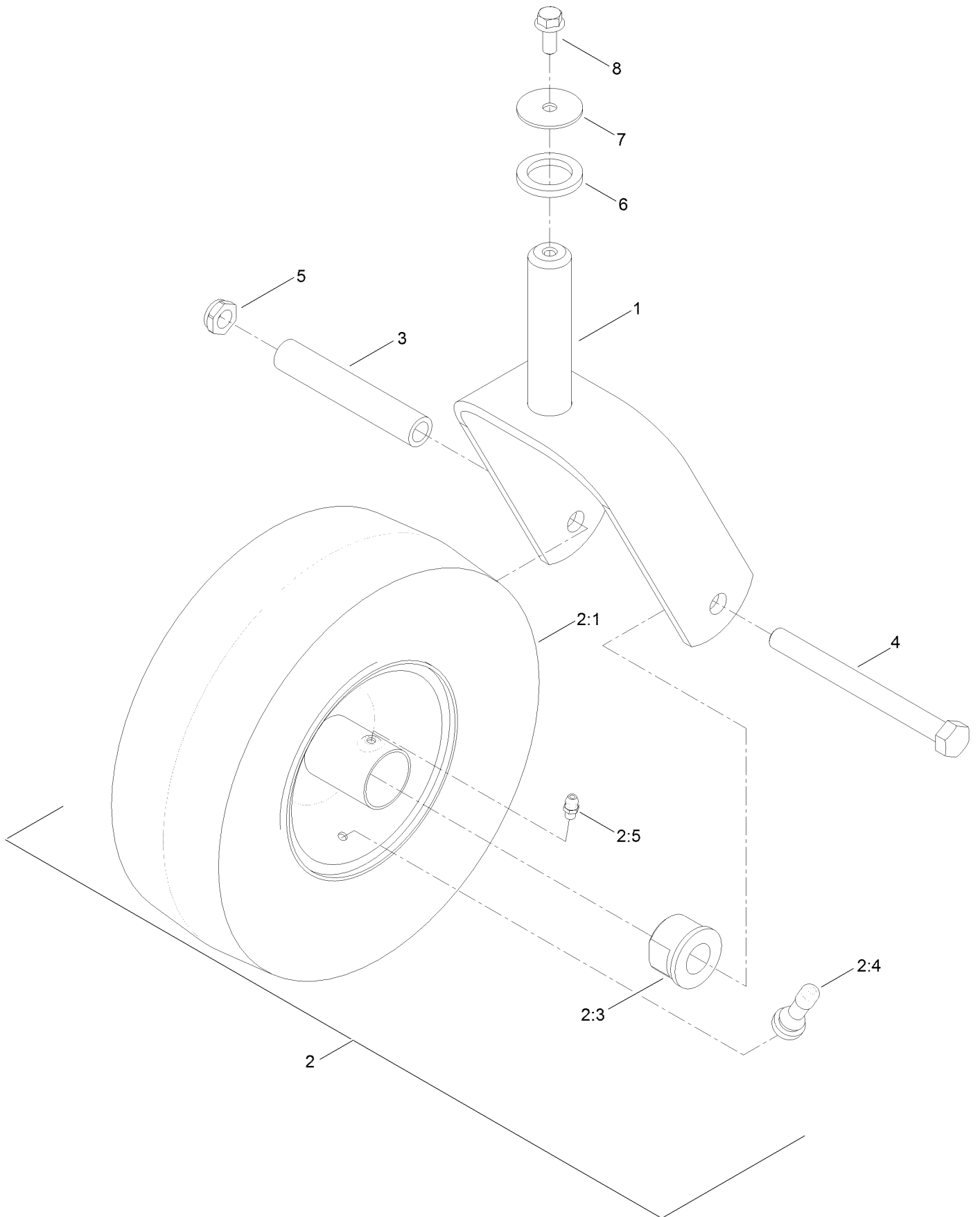
# Deck Lift Assembly



## Deck Lift Assembly (continued)

<i>Ref.</i>	<i>Part Number</i>	<i>Qty.</i>	<i>Description</i>	<i>Ref.</i>	<i>Part Number</i>	<i>Qty.</i>	<i>Description</i>
1	132-6872-03	1	Lift-Deck, Narrow	14	108-7845	2	Block-Pivot
2	119-8875	2	Bracket-Lift	15	120-5499	2	Screw-HSBH
3	32144-70	4	Screw-HWHTF	16	3296-29	2	Nut-Lock, NI
4	119-3427-03	1	Lever-Lift	23	3256-26	3	Washer-Flat
5	1-633268	1	Grip-Lever	24	119-8810	1	Pin-Pivot
7	3234-29	2	Screw-HHF	25	133-4319	1	Rod-Mount, Deck
8	104-8300	2	Nut-Flange, NI	26	3296-19	1	Nut-Hex
11	108-7839	1	Arm-Lift, Rear	27	3272-11	2	Pin-Cotter
13	108-7840	2	Link-Lift	28	1-806005	1	Pin-Cotter

# Caster, Wheel and Tire Assembly





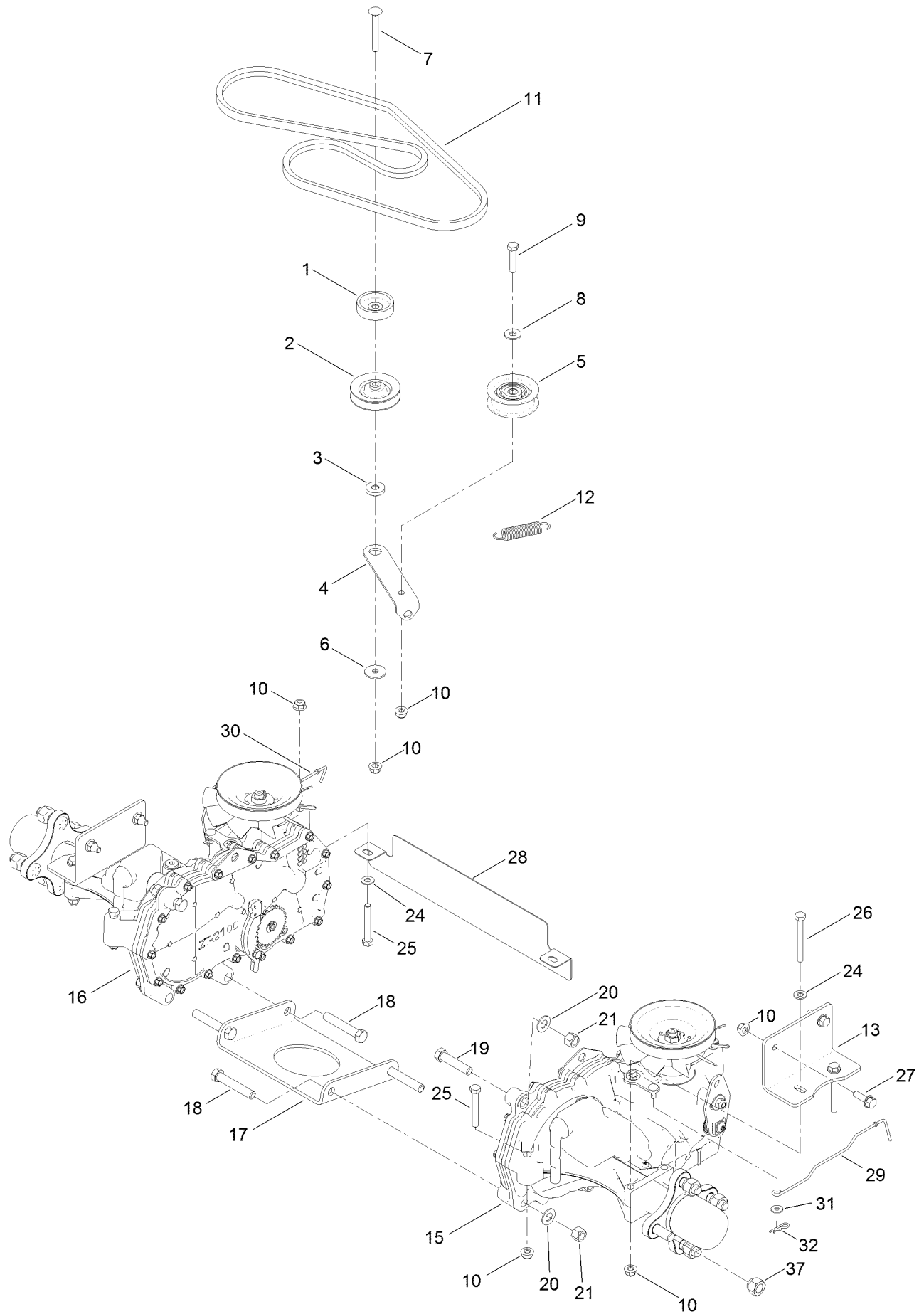
## Caster, Wheel and Tire Assembly (continued)

<i>Ref.</i>	<i>Part Number</i>	<i>Qty.</i>	<i>Description</i>	<i>Ref.</i>	<i>Part Number</i>	<i>Qty.</i>	<i>Description</i>
1	120-7964-01	2	Caster Fork ASM	3	104-3667	2	Spanner-Wheel
2	130-0736	2	Caster Wheel ASM	4	325-22	2	Screw-HH
2:1	130-0735	1	Tire	5	3296-45	2	Nut-Lock, NI
2:3	114-1640	2	Bushing-Flange	6	117-7394	2	Washer-Thrust
2:4	232-27	1	Stem-Valve	7	3256-68	2	Washer-Flat
2:5	302-5	1	Fitting-Grease	8	3234-47	2	Screw-HHF
2:6	105-0844	1	Tube-Inner ●■				

● Not illustrated

■ Optional Equipment

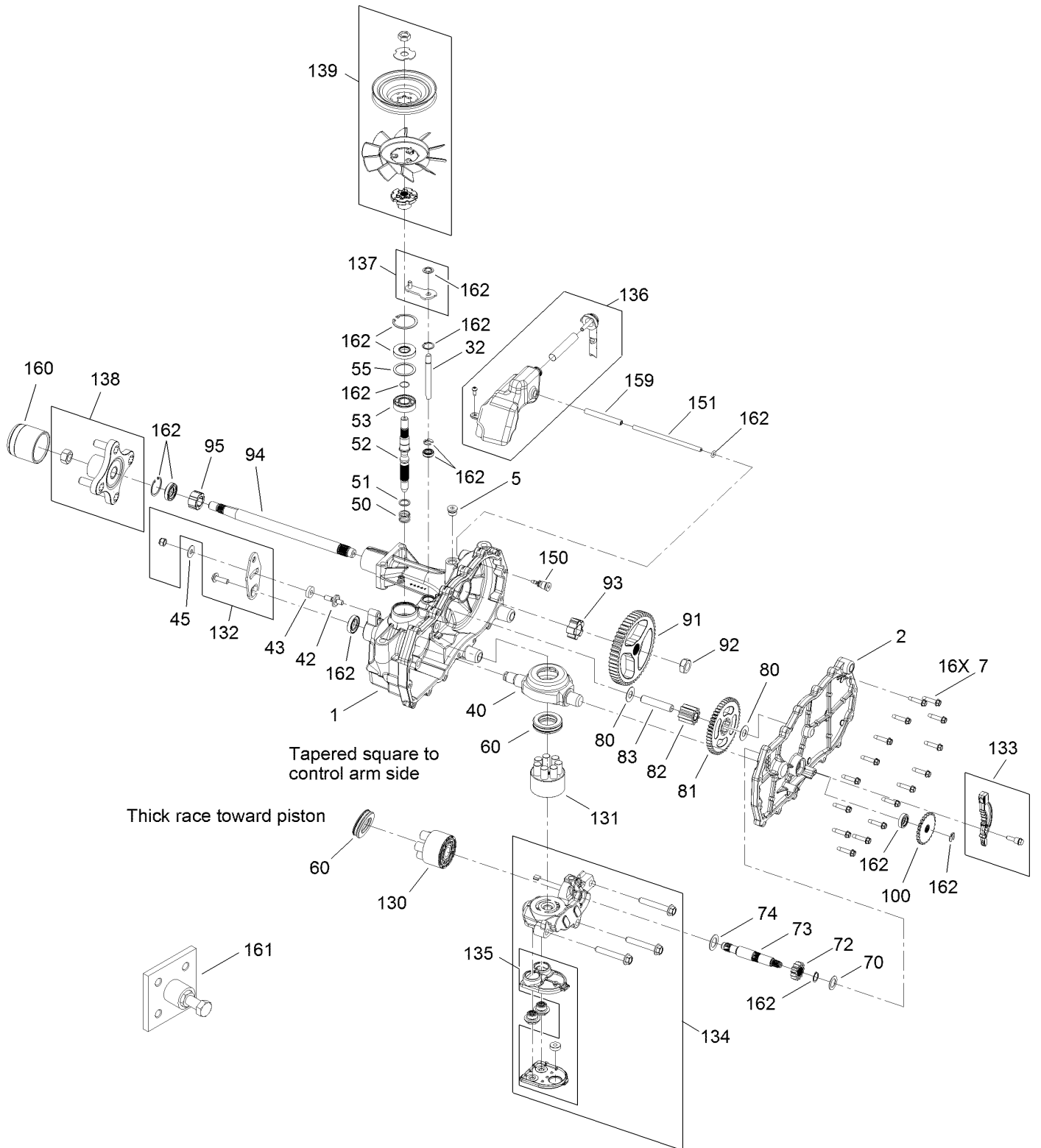
# Traction Drive Assembly



## Traction Drive Assembly (continued)

<i>Ref.</i>	<i>Part Number</i>	<i>Qty.</i>	<i>Description</i>	<i>Ref.</i>	<i>Part Number</i>	<i>Qty.</i>	<i>Description</i>
1	119-3353	1	Spacer	17	119-3339-03	1	Plate-Cross, Hydro
2	119-8822	1	Pulley-Idler	18	324-10	4	Screw-HH
3	119-3327	1	Spacer-Arm, Idler	19	324-8	2	Screw-HH
4	119-3326	1	Arm-Idler	20	3256-25	6	Washer-Flat
5	106-2176	1	Pulley-Idler	21	3296-48	6	Nut-Lock, NI
6	5-4460	1	Washer-Pivot	24	3256-23	6	Washer-Flat
7	3230-8	1	Screw-CARR	25	322-11	4	Screw-HH
8	3256-3	1	Washer-Flat	26	322-13	4	Screw-HH
9	322-7	1	Screw-HH	27	3234-29	4	Screw-HHF
10	104-8300	14	Nut-Flange, NI	28	131-3668-03	1	Guard Rear, Narrow
11	130-6975	1	V-Belt	29	131-0900	1	Rod-Bypass, LH
12	104-6415	1	Spring-Return, Pedal	30	130-7049	1	Rod-Bypass, RH
13	117-7264-03	2	Mount-Hydro	31	119-8952	2	Washer
15	119-3330	1	LH Hydro Transaxle ASM	32	3290-307	2	Pin-Cotter
16	119-3331	1	RH Hydro Transaxle ASM	37	242-50	8	Nut-Lug

# Left Hand Hydro Transaxle Assembly No. 119-3330

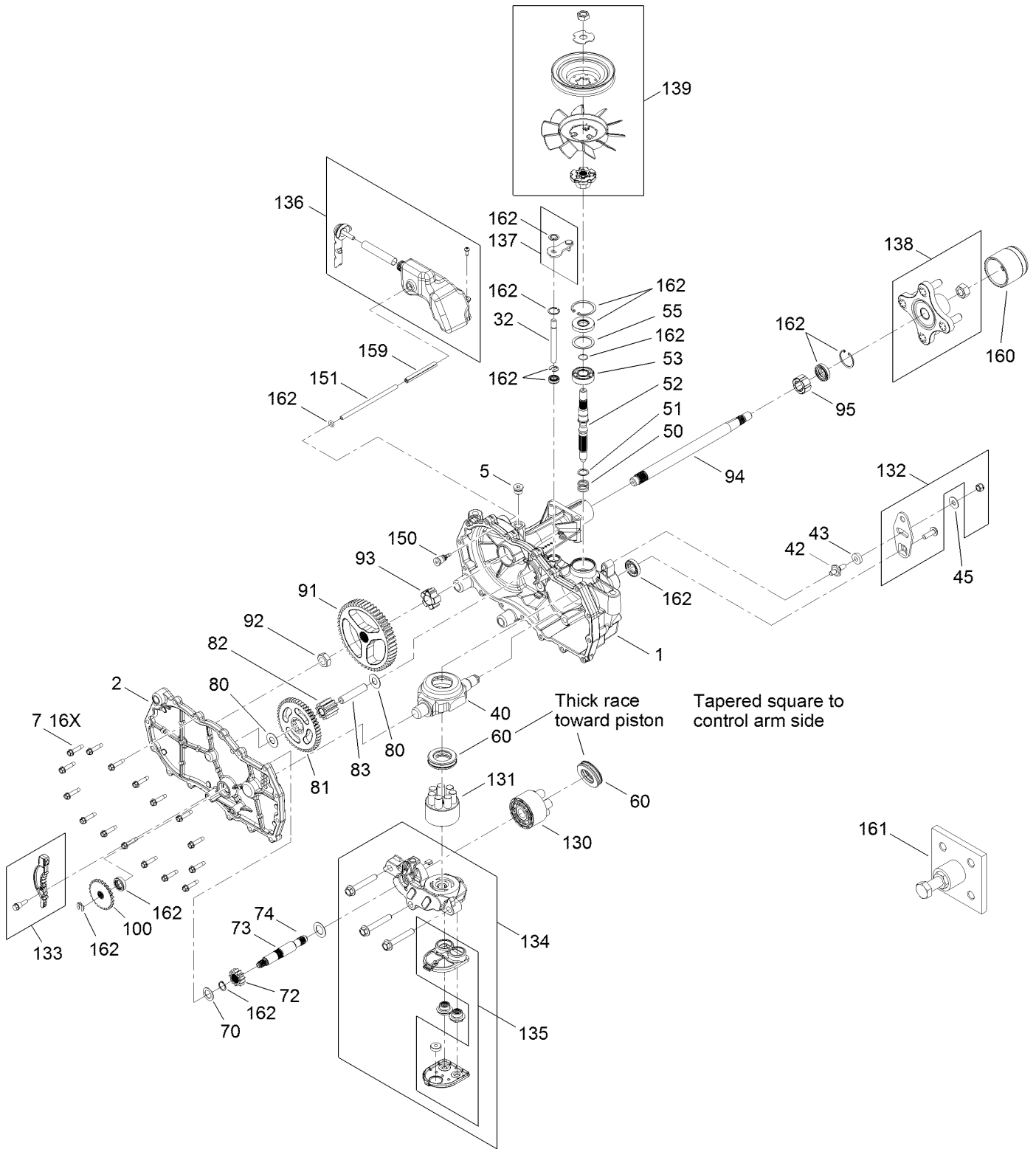


# Left Hand Hydro Transaxle Assembly No. 119-3330 (continued)

<i>Ref.</i>	<i>Part Number</i>	<i>Qty.</i>	<i>Description</i>	<i>Ref.</i>	<i>Part Number</i>	<i>Qty.</i>	<i>Description</i>
1	120-5532	1	Main Housing ASM	83	104-5329	1	Pin-Jackshaft
2	120-5534	1	Housing Side Kit	91	120-5539	1	Gear-Bull
5	104-2189	1	Plug-Thread, Straight	92	104-2142	1	Nut-HJ
7	117-5359	16	Screw-HHF	93	115-8314	1	Bushing-Inboard
13	104-2147	1	Sealant ●	94	120-5540	1	Shaft-Axle
32	106-8678	2	Rod-Bypass	95	120-5541	1	Bearing-Sleeve
40	104-5304	1	Swashplate-Trunnion	100	106-8694	1	Disc-Brake, Cog
42	104-2116	1	Stud	130	103-2666	1	Cylinder Block Kit
43	112-9853	1	Puck-Friction	131	110-8561	1	Pump Block ASM
45	114-8491	1	Washer	132	117-5362	1	Arm Control Kit
50	120-5537	1	Spring-Compression	133	106-8688	1	Brake Arm Kit
51	120-5538	1	Washer	134	112-9861	1	Center Section Filter Kit
52	104-5306	1	Shaft-Input	135	114-1634	1	Filter Kit
53	104-5311	1	Bearing-Ball	136	121-5730	1	RH Expansion Tank Kit
55	104-5308	1	Spacer	137	120-5549	1	Bypass Kit
60	94-6922	1	Bearing-Thrust	138	121-5731	1	Hub Kit
70	104-5339	1	Washer-Flat	139	121-5729	1	Fan Pulley Kit
72	104-5316	1	Gear-Pinion, 13T	150	104-5349	1	Fitting-SAE
73	106-8683	1	Shaft-Motor	151	115-8302	1	Hose
74	104-5360	1	Washer	159	121-5728	1	Case-Tube
80	119-5541	2	Washer	160	125-0041	1	Cap-Axle
81	104-5317	1	Gear-10T/48T	161	114-8467	1	Hub-Puller, 4 Bolt
82	104-5318	1	Gear-Jackshaft, 10T	162	120-7103	1	Seal And Ring Kit

● Not illustrated

# Right Hand Hydro Transaxle Assembly No. 119-3331

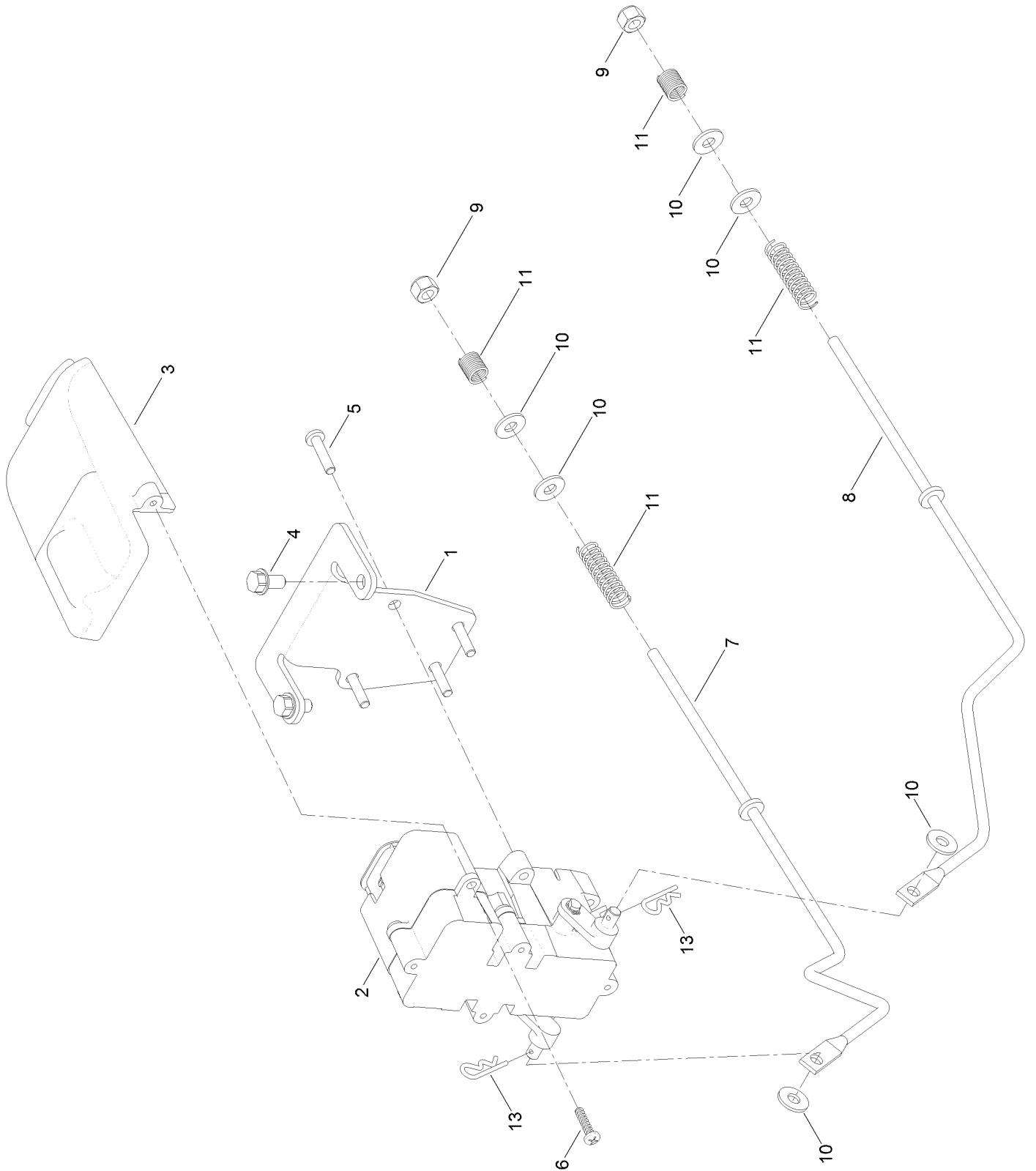


# Right Hand Hydro Transaxle Assembly No. 119-3331 (continued)

<i>Ref.</i>	<i>Part Number</i>	<i>Qty.</i>	<i>Description</i>	<i>Ref.</i>	<i>Part Number</i>	<i>Qty.</i>	<i>Description</i>
1	120-5531	1	Main Housing ASM	83	104-5329	1	Pin-Jackshaft
2	120-5533	1	Housing Side Kit	91	120-5539	1	Gear-Bull
5	104-2189	1	Plug-Thread, Straight	92	104-2142	1	Nut-HJ
7	117-5359	16	Screw-HHF	93	115-8314	1	Bushing-Inboard
13	104-2147	1	Sealant ●	94	120-5540	1	Shaft-Axle
32	106-8678	2	Rod-Bypass	95	120-5541	1	Bearing-Sleeve
40	104-5304	1	Swashplate-Trunnion	100	106-8694	1	Disc-Brake, Cog
42	104-2116	1	Stud	130	103-2666	1	Cylinder Block Kit
43	112-9853	1	Puck-Friction	131	110-8561	1	Pump Block ASM
45	114-8491	1	Washer	132	117-5362	1	Arm Control Kit
50	120-5537	1	Spring-Compression	133	106-8688	1	Brake Arm Kit
51	120-5538	1	Washer	134	112-9862	1	Center Section Filter Kit
52	104-5306	1	Shaft-Input	135	114-1634	1	Filter Kit
53	104-5311	1	Bearing-Ball	136	121-5735	1	LH Expansion Tank Kit
55	104-5308	1	Spacer	137	107-2489	1	Bypass Arm Kit
60	94-6922	1	Bearing-Thrust	138	121-5731	1	Hub Kit
70	104-5339	1	Washer-Flat	139	121-5729	1	Fan Pulley Kit
72	104-5316	1	Gear-Pinion, 13T	150	104-5349	1	Fitting-SAE
73	106-8683	1	Shaft-Motor	151	115-8302	1	Hose
74	104-5360	1	Washer	159	121-5728	1	Case-Tube
80	119-5541	2	Washer	160	125-0041	1	Cap-Axle
81	104-5317	1	Gear-10T/48T	161	114-8467	1	Hub-Puller, 4 Bolt
82	104-5318	1	Gear-Jackshaft, 10T	162	120-7103	1	Seal And Ring Kit

● Not illustrated

# Brake Assembly

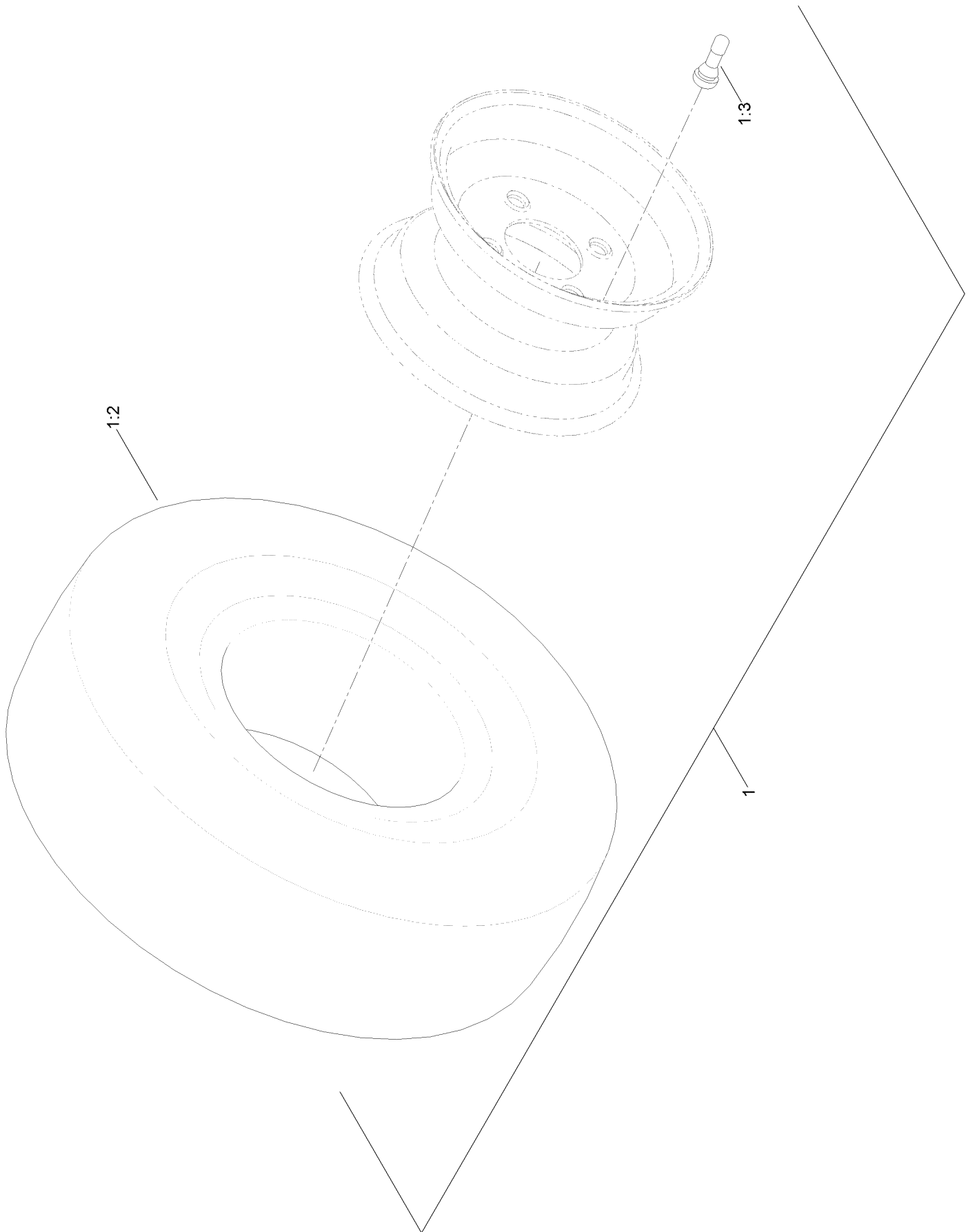




## Brake Assembly (continued)

<i>Ref.</i>	<i>Part Number</i>	<i>Qty.</i>	<i>Description</i>	<i>Ref.</i>	<i>Part Number</i>	<i>Qty.</i>	<i>Description</i>
1	130-0790-03	1	Bracket-Mount, Brake	7	121-2974	1	Rod-Brake, RH
2	132-0935	1	Brake Box ASM	8	121-2975	1	Rod-Brake, LH
3	132-6949	1	Cover-Connector	9	3296-42	2	Nut-Lock, NI
4	32144-4	2	Screw-HWH	10	119-8952	6	Washer
5	32144-36	4	Screw-PPH	11	117-1169	4	Spring-Compression
6	94-4496	2	Screw-PPH	13	3290-307	2	Pin-Cotter

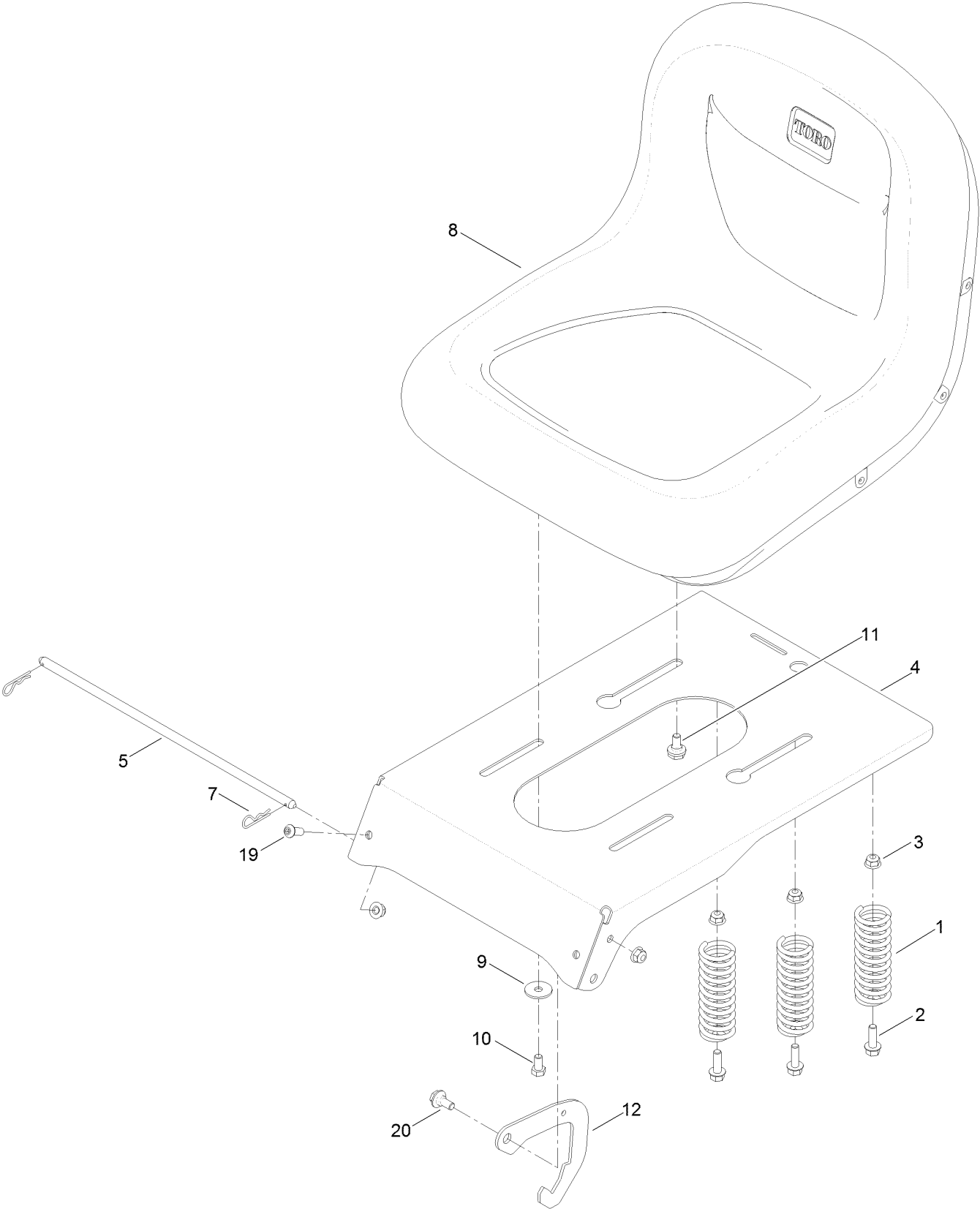
# Rear Tire Assembly



## Rear Tire Assembly (continued)

<i>Ref.</i>	<i>Part Number</i>	<i>Qty.</i>	<i>Description</i>
1	131-3670	2	2 Ply Tire And Wheel ASM
1:2	131-3677	1	Tire-2 Ply
1:3	232-27	1	Stem-Valve

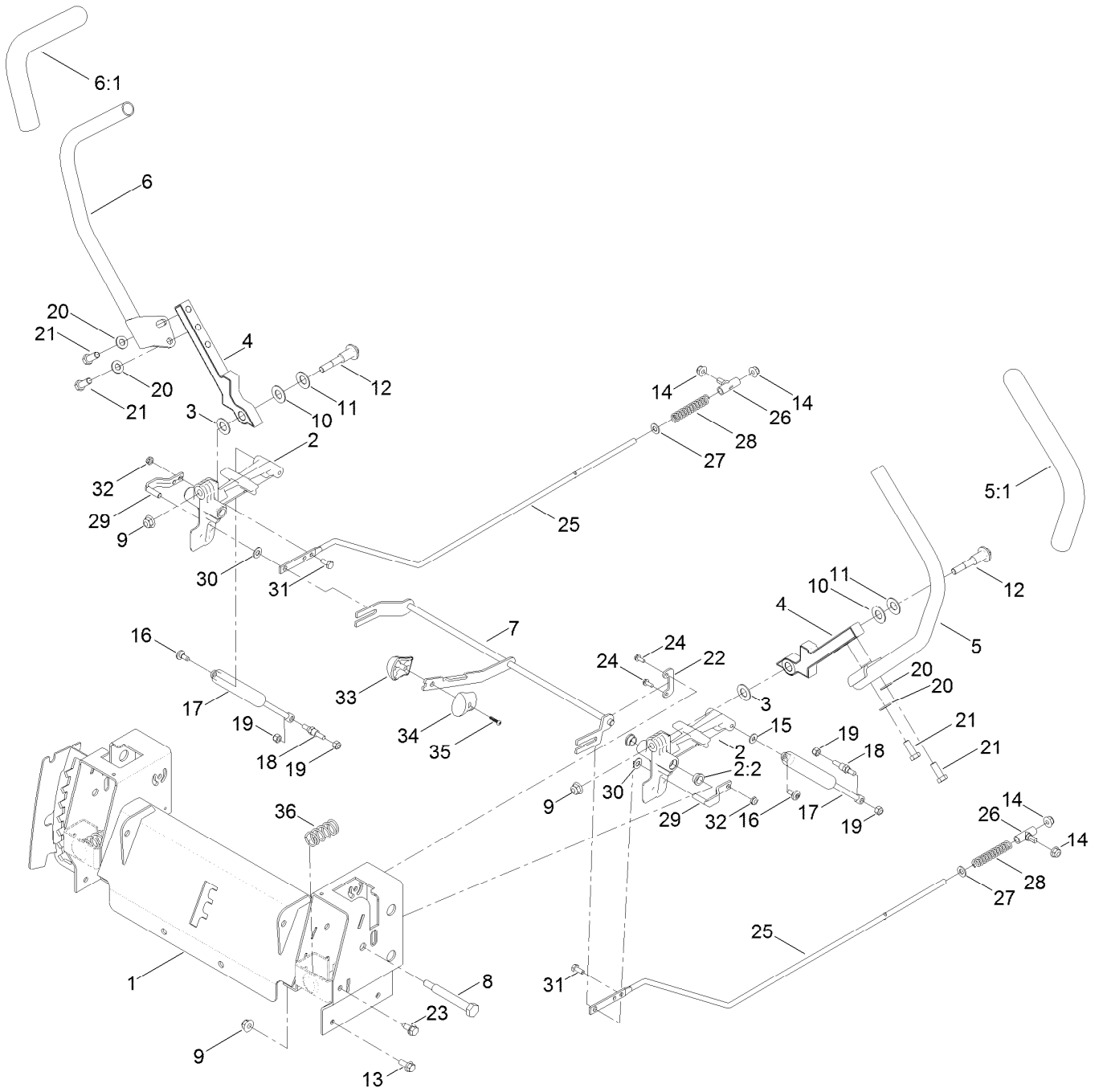
# Seat Assembly



## Seat Assembly (continued)

<i>Ref.</i>	<i>Part Number</i>	<i>Qty.</i>	<i>Description</i>	<i>Ref.</i>	<i>Part Number</i>	<i>Qty.</i>	<i>Description</i>
1	92-7054	3	Spring-Compression	9	5-4460	2	Washer-Pivot
2	3234-29	3	Screw-HHF	10	322-2	2	Screw-HH
3	104-8300	6	Nut-Flange, NI	11	37-8771	2	Bolt-Shoulder
4	131-4037-01	1	Pan-Seat	12	132-9353	1	Latch-Seat
5	119-3433	1	Rod-Pivot, Narrow	19	3274-55	2	Screw-HSBH
7	3290-250	2	Pin-Cotter	20	19-1470	1	Screw-Shoulder
8	119-8828	1	Seat-15 Inch				

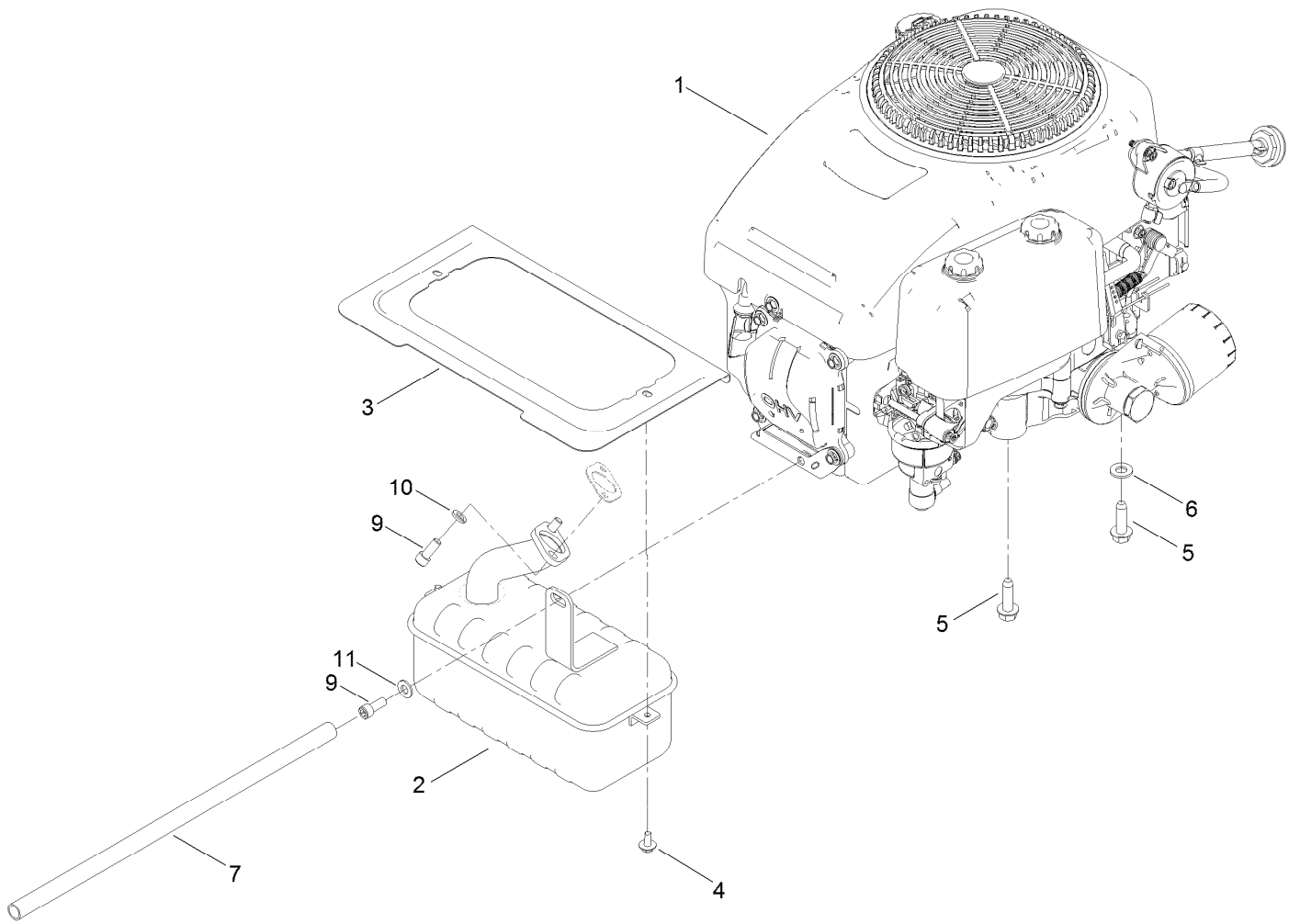
# Motion Control Assembly



## Motion Control Assembly (continued)

<i>Ref.</i>	<i>Part Number</i>	<i>Qty.</i>	<i>Description</i>	<i>Ref.</i>	<i>Part Number</i>	<i>Qty.</i>	<i>Description</i>
1	136-4156-03	1	Control Box ASM	18	110-6810	2	Stud-Damper
2	119-3470	2	Actuator Arm ASM	19	3296-42	4	Nut-Lock, NI
2:2	256-156	2	Bushing-Flange	20	3256-24	4	Washer-Flat
3	120-2273	2	Washer-Nylon	21	323-6	4	Screw-HH
4	115-5098-05	2	Lever-Control	22	117-5385	2	Retainer
5	121-0730	1	Handle-Control, LH	23	32144-70	4	Screw-HWHTF
5:1	121-0726	1	Grip	24	32144-1	4	Screw-Taptite
6	121-0731	1	Handle-Control, RH	25	117-5388	2	Rod-Hydro
6:1	121-0726	1	Grip	26	119-8842	2	Mount-Rod, Hydro
7	131-1094	1	Speed Control ASM	27	3256-23	2	Washer-Flat
8	115-5099	2	Bolt-Pivot	28	1-603807	2	Spring-Return, Neutral
9	104-8301	4	Nut-Flange, NI	29	119-3303	2	Pin-Rod, Hydro
10	117-1240	2	Washer	30	93-6079	2	Spacer-Nylon
11	119-8925	2	Washer-Belleville	31	321-3	2	Screw-HH
12	117-1198	2	Bolt-Pivot	32	3296-56	2	Nut-Lock, NI
13	3234-47	6	Screw-HHF	33	119-8935	1	Knob-RH
14	104-8300	10	Nut-Flange, NI	34	119-8936	1	Knob-LH
15	119-8952	2	Washer	35	94-4496	1	Screw-PPH
16	120-7950	2	Screw-Shoulder	36	119-8876	2	Spring-Return
17	131-4132	2	Damper				

# Engine and Muffler Assembly

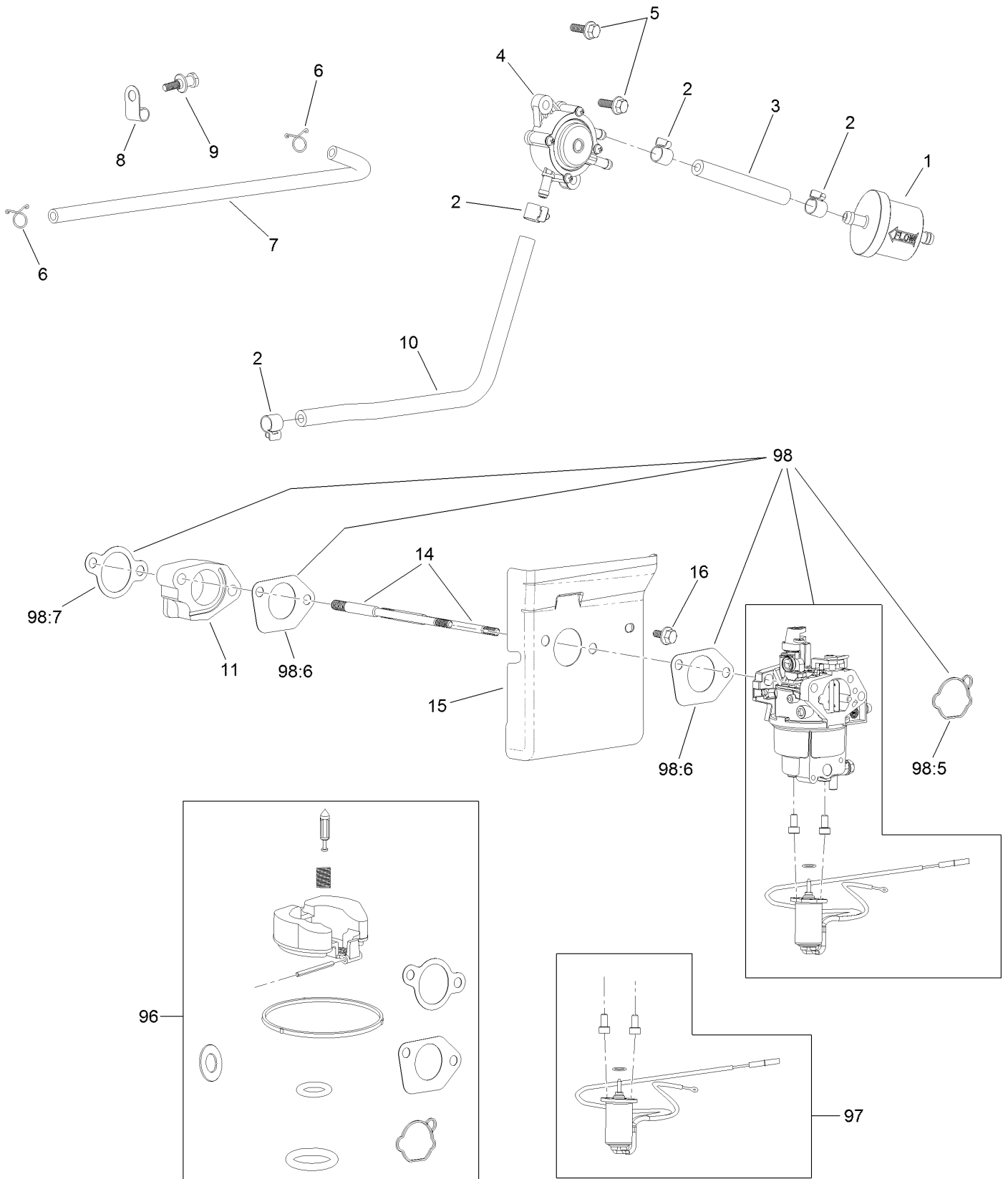




## Engine and Muffler Assembly (continued)

<i>Ref.</i>	<i>Part Number</i>	<i>Qty.</i>	<i>Description</i>	<i>Ref.</i>	<i>Part Number</i>	<i>Qty.</i>	<i>Description</i>
1	127-9358	1	Engine-1P92F-1	6	3256-24	3	Washer-Flat
2	130-0691	1	Muffler	7	106-7022	1	Tube-Drain, Oil
3	131-1071-03	1	Shield-Heat	9	3274-10	3	Screw-HSH
4	46-8560	2	Screw-HHFTF	10	3253-4	2	Washer-Lock
5	32144-109	4	Screw-Taptite	11	3256-23	1	Washer-Flat

# Fuel System Assembly

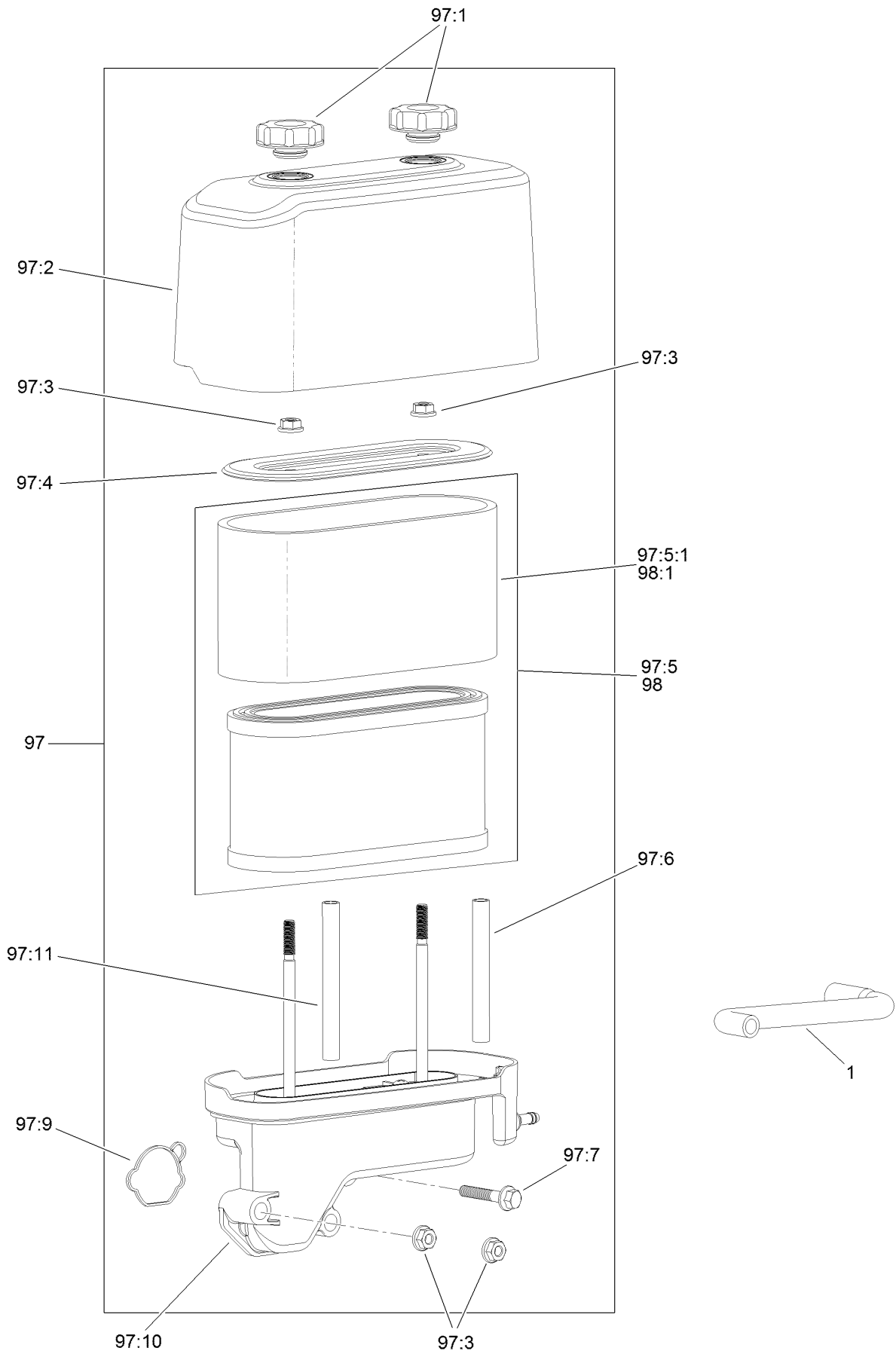


## Fuel System Assembly (continued)

<i>Ref.</i>	<i>Part Number</i>	<i>Qty.</i>	<i>Description</i>	<i>Ref.</i>	<i>Part Number</i>	<i>Qty.</i>	<i>Description</i>
1	133-1563	1	Filter-Fuel	14	120-4202	2	Stud-Mount, Carburetor
2	120-4251	4	Clamp-Fuel Line	15	120-4248	1	Shield-Heat
3	120-4371	1	Line-Fuel	16	120-4216	1	Screw-HHF
4	120-4353	1	Pump-Pulse, Fuel	96	127-9194	1	Carb Repair Kit With Gaskets
5	120-4232	2	Screw-HHF	97	127-9190	1	Solenoid Kit
6	121-0114	2	Clamp-Hose	98	127-9183	1	Carburetor Kit
7	120-4372	1	Line-Pulse	98:5	127-9185	1	Gasket-Carburetor
8	120-4287	1	Clamp-J	98:6	120-4247	2	Gasket-Carburetor
9	120-4217	1	Screw-Shoulder, HH	98:7	120-4250	1	Gasket-Carburetor
10	120-4370	1	Line-Fuel	99	127-9362	1	High Altitude Kit (1P92) ●
11	120-4249	1	Insulator-Carburetor				

● Not illustrated

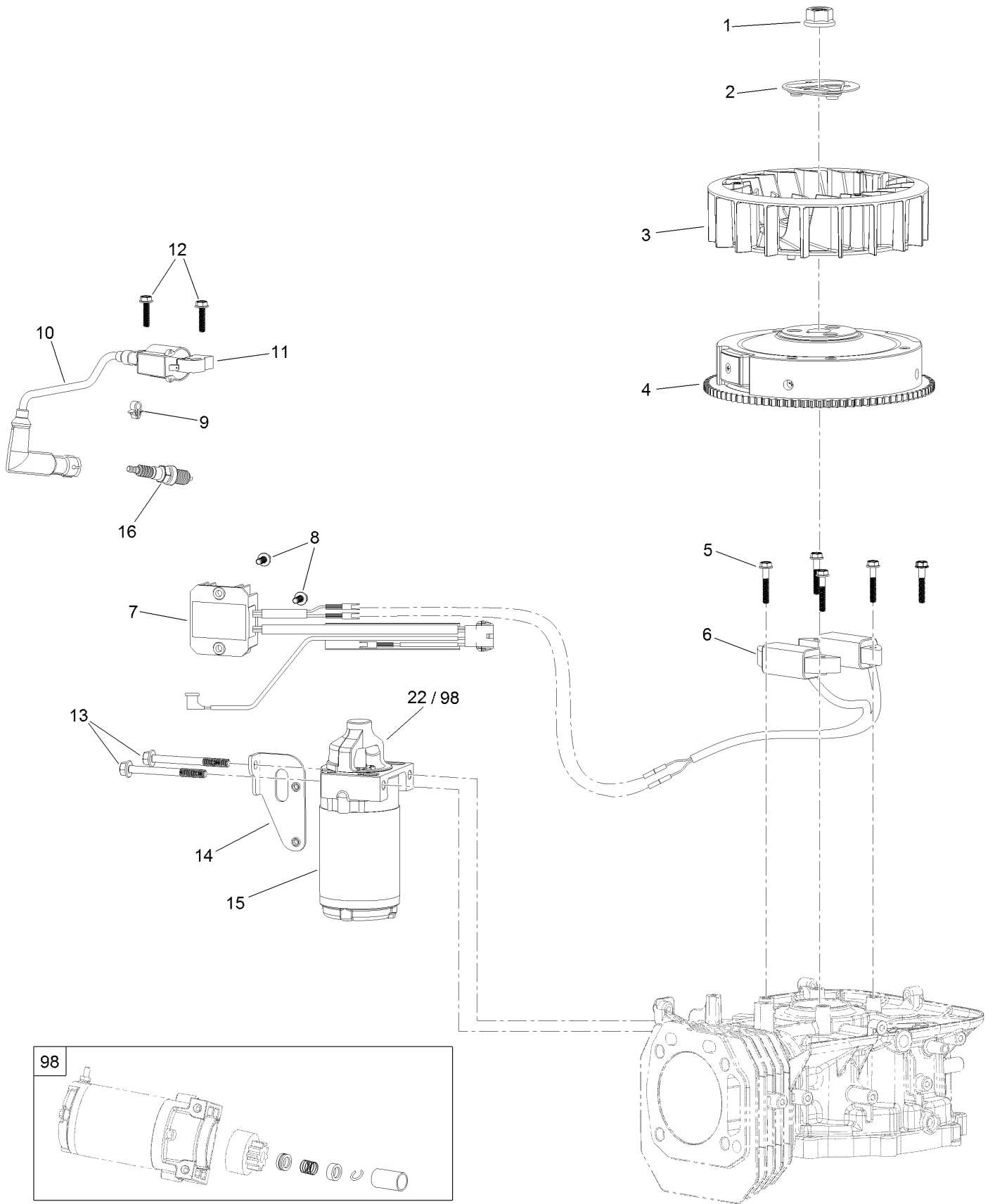
# Air Intake and Filtration Assembly



## Air Intake and Filtration Assembly (continued)

<i>Ref.</i>	<i>Part Number</i>	<i>Qty.</i>	<i>Description</i>	<i>Ref.</i>	<i>Part Number</i>	<i>Qty.</i>	<i>Description</i>
1	120-4255	1	Tube-Breather	97:6	120-4333	1	Spacer-Filter, Air
97	127-9186	1	Air Cleaner Kit	97:7	120-4284	1	Screw-HHF
97:1	120-4312	2	Nut-Speed	97:9	127-9185	1	Gasket-Carburetor
97:2	120-4311	1	Cover-Filter, Air	97:10	127-9191	1	Base-Filter, Air
97:3	120-4236	4	Nut-Flange	97:11	120-4334	1	Spacer-Filter, Air
97:4	120-4310	1	Retainer-Air Filter	98	127-9193	1	Air Filter Kit
97:5	127-9193	1	Air Filter Kit	98:1	120-4309	1	Prefilter
97:5:1	120-4309	1	Prefilter				

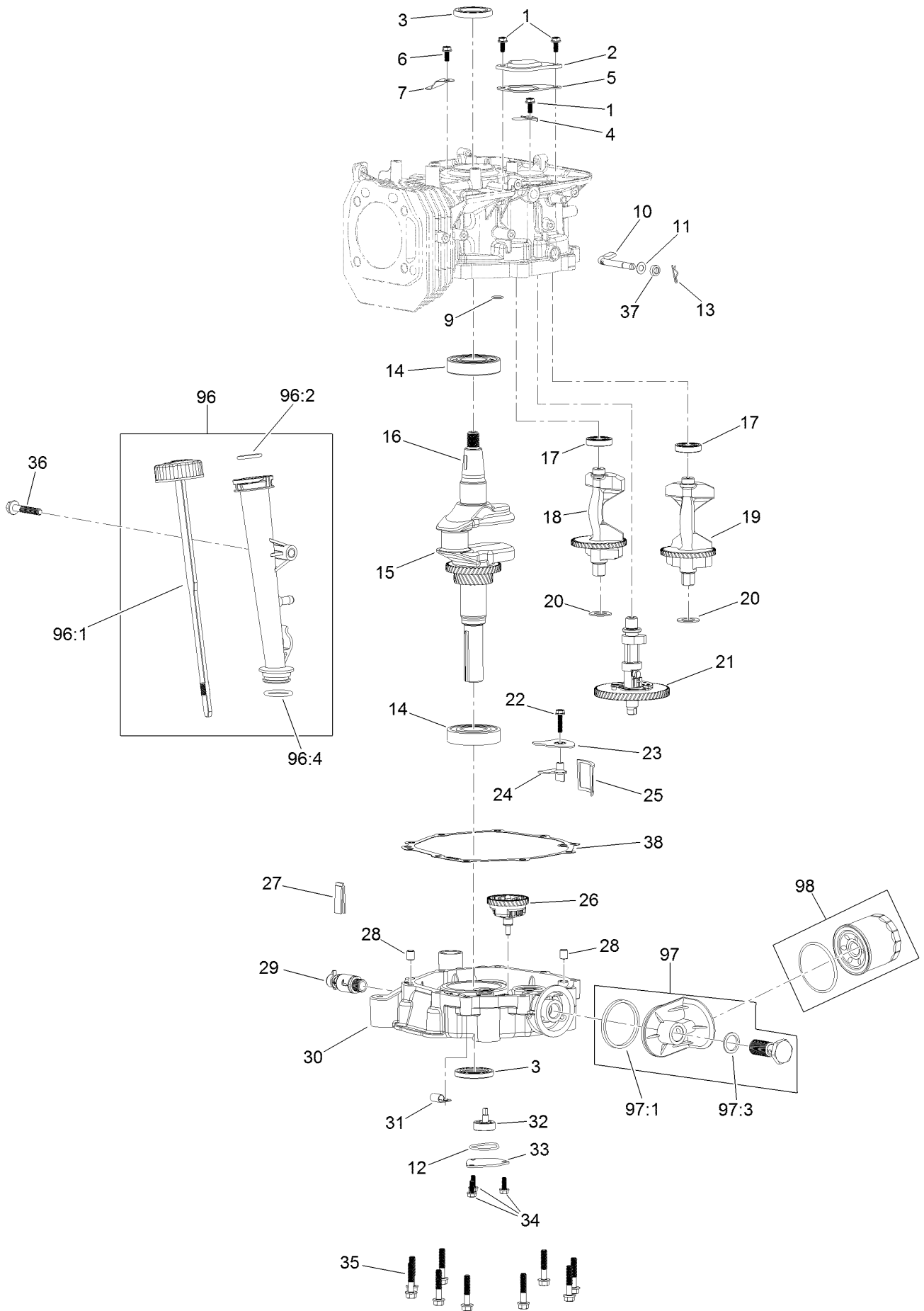
# Ignition and Electrical Assembly



## Ignition and Electrical Assembly (continued)

<i>Ref.</i>	<i>Part Number</i>	<i>Qty.</i>	<i>Description</i>	<i>Ref.</i>	<i>Part Number</i>	<i>Qty.</i>	<i>Description</i>
1	120-4213	1	Nut-Flange	10	120-4226	1	Boot-Plug, Spark
2	120-4212	1	Pulley-Starter	11	127-9177	1	Ignition Coil ASM
3	120-4211	1	Fan-Cooling	12	120-4225	2	Screw-HHF
4	120-4399	1	Flywheel	13	120-4231	2	Screw-HHF
5	120-4223	4	Screw-HHF	14	120-4230	1	Bracket-Starter
6	127-9176	1	Alternator	15	133-9832	1	Motor-Starter
7	127-9178	1	Voltage Regulator	16	77-7330	1	Plug-Spark
8	120-4216	3	Screw-HHF	22	133-1562	1	Pinion-Starter
9	120-4316	1	Clamp-Wire	98	120-4392	1	Starter Repair Kit

# Crankcase Assembly

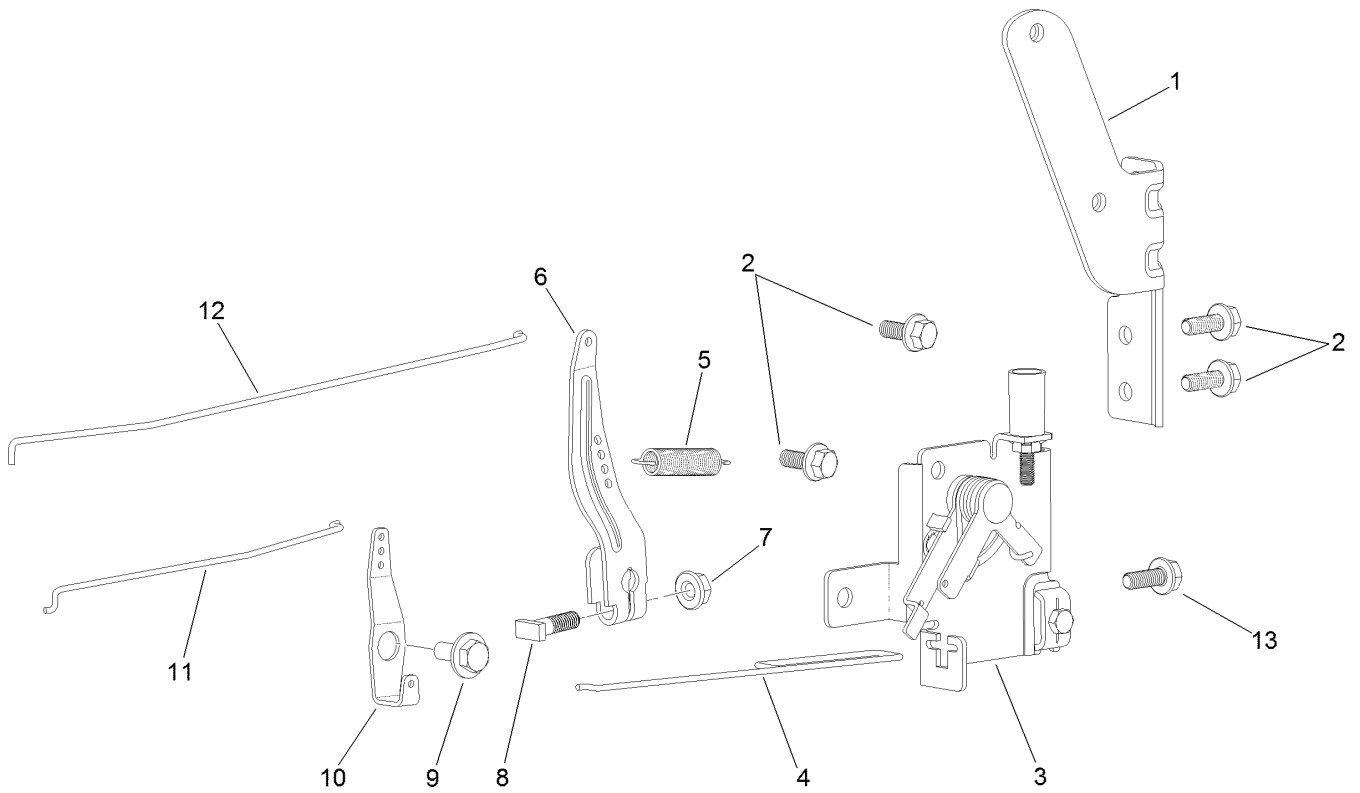




## Crankcase Assembly (continued)

<i>Ref.</i>	<i>Part Number</i>	<i>Qty.</i>	<i>Description</i>	<i>Ref.</i>	<i>Part Number</i>	<i>Qty.</i>	<i>Description</i>
1	120-4216	3	Screw-HHF	25	120-4341	1	Strainer-Oil
2	120-4265	1	Plate-Breather	26	120-4338	1	Gear-Governor
3	120-4267	2	Seal-Oil	27	120-4275	1	Deflector-Oil, Rubber
4	120-4263	1	Valve-Reed	28	120-4274	2	Pin-Dowel
5	120-4264	1	Gasket-Breather	29	120-4321	1	Valve-Drain, Oil
6	120-4234	1	Screw-HHF	30	120-4327	1	Cover-Crankcase
7	120-4268	1	Retainer	31	127-9188	1	Clamp-Hose
9	120-4262	1	O-Ring	32	120-4344	1	Oil Pump ASM
10	120-4382	1	Shaft-Governor	33	120-4270	1	Cover-Pump, Oil
11	120-4258	1	Washer-Plain	34	120-4232	3	Screw-HHF
12	120-4343	1	Seal-Pump, Oil	35	120-4273	10	Screw-HHF
13	120-4256	1	Pin-Hair	36	120-4284	1	Screw-HHF
14	120-4261	2	Bearing-Ball	37	120-4257	1	Seal-Oil
15	120-4293	1	Crankshaft	38	120-4260	1	Gasket-Crankcase
16	120-4320	1	Key-Woodruff	96	120-4355	1	Dipstick And Tube Kit
17	120-4266	2	Bearing-Ball	96:1	120-4350	1	Dipstick ASM
18	127-9179	1	Shaft-Balance, R	96:2	120-4348	1	O-Ring
19	127-9180	1	Shaft-Balance, L	96:4	120-4282	1	O-Ring
20	120-4295	2	Washer	97	120-4363	1	Oil Adaptor Kit
21	120-4297	1	Camshaft	97:1	120-4362	1	Seal-Adaptor, Oil
22	120-4225	1	Screw-HHF	97:3	120-4360	1	Washer-Filter, Oil
23	120-4342	1	Cover-Strainer, Oil	98	120-4276	1	Filter-Oil
24	120-4279	1	Plate-Baffle, Oil				

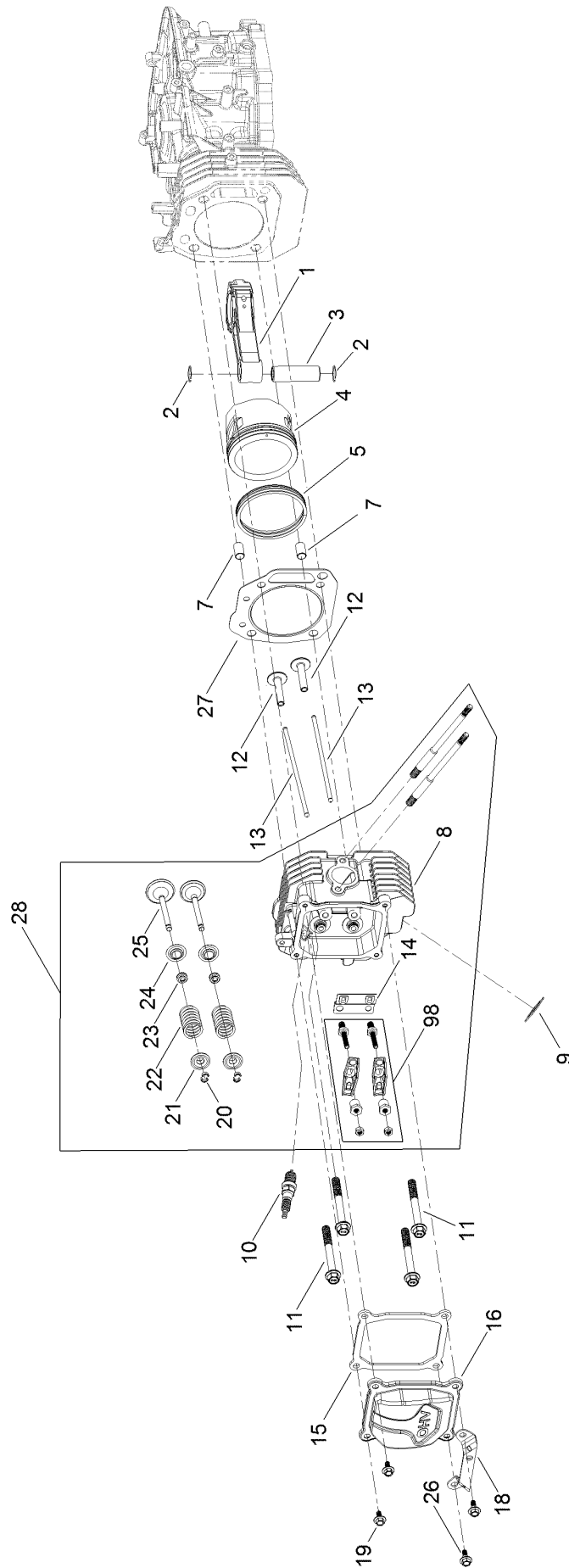
# Governor Control Assembly



## Governor Control Assembly (continued)

<i>Ref.</i>	<i>Part Number</i>	<i>Qty.</i>	<i>Description</i>	<i>Ref.</i>	<i>Part Number</i>	<i>Qty.</i>	<i>Description</i>
1	120-4357	1	Bracket-Pump, Fuel	8	120-4238	1	Bolt-Arm, Governor
2	120-4234	4	Screw-HHF	9	120-4241	1	Screw-Shoulder, HHF
3	120-4358	1	Control-Throttle	10	120-4242	1	Bellcrank-Choke
4	120-4243	1	Rod-Throttle	11	120-4240	1	Rod-Choke
5	120-4337	1	Spring-Governor	12	120-4239	1	Rod-Governor
6	120-4237	1	Arm-Governor	13	120-4232	1	Screw-HHF
7	120-4236	1	Nut-Flange				

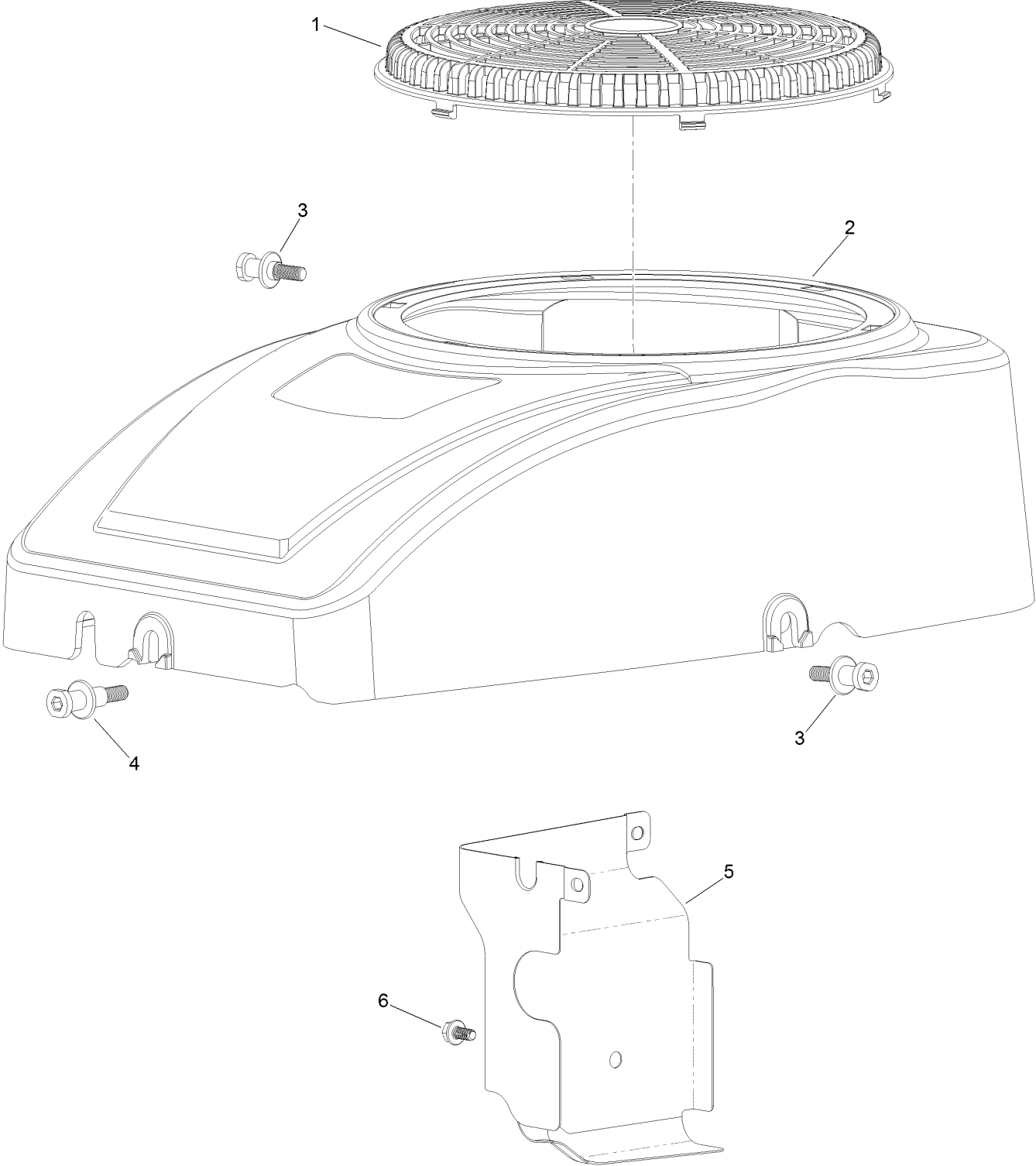
# Piston and Cylinder Head Assembly



## Piston and Cylinder Head Assembly (continued)

<i>Ref.</i>	<i>Part Number</i>	<i>Qty.</i>	<i>Description</i>	<i>Ref.</i>	<i>Part Number</i>	<i>Qty.</i>	<i>Description</i>
1	120-4292	1	Connecting Rod ASM	16	120-4207	1	Cover-Valve
2	120-4288	2	Ring-Retaining, Piston Pin	18	120-4345	1	Bracket-Muffler
3	120-4291	1	Pin-Piston	19	120-4209	2	Screw-Shoulder, HHF
4	120-4290	1	Piston	20	120-4307	4	Keeper-Valve
5	120-4289	1	Ring Set	21	120-4306	2	Retainer-Spring, Valve
7	120-4200	2	Pin-Dowel	22	120-4305	2	Spring-Valve
8	120-4203	1	Head-Cylinder	23	120-4304	2	Seal-Stem, Valve
9	120-4317	1	Gasket-Exhaust	24	120-4303	2	Seat-Spring, Valve
10	120-4204	1	Plug-Spark	25	120-4302	2	Valve Set
11	120-4205	4	Screw-HHF	26	120-4210	2	Screw-Shoulder, HHF
12	120-4298	2	Lifter-Valve	27	120-4201	1	Gasket-Cylinder
13	120-4340	2	Rod-Push	28	133-9845	1	Complete Head ASM
14	120-4300	1	Plate-Guide, Push Rod	98	120-4301	1	Rocker Arm Kit
15	120-4206	1	Gasket-Cover, Valve				

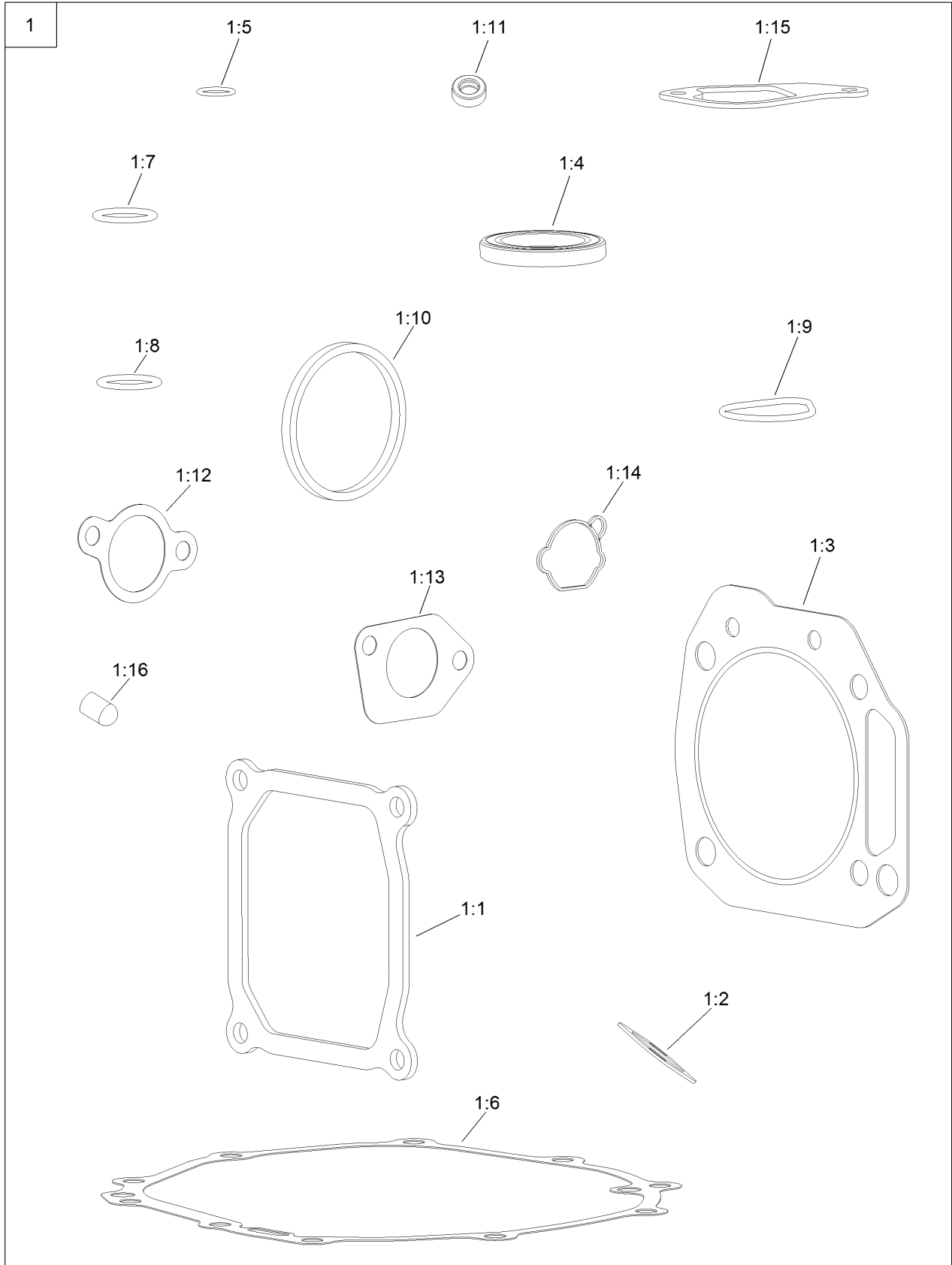
# Blower Housing Assembly



## Blower Housing Assembly (continued)

<i>Ref.</i>	<i>Part Number</i>	<i>Qty.</i>	<i>Description</i>	<i>Ref.</i>	<i>Part Number</i>	<i>Qty.</i>	<i>Description</i>
1	120-4219	1	Screen-Stationary	4	120-4214	1	Screw-Shoulder, HH
2	120-4218	1	Shroud-Fan	5	120-4215	1	Shield
3	120-4217	2	Screw-Shoulder, HH	6	120-4216	1	Screw-HHF

# Gasket and Seal Kit Assembly

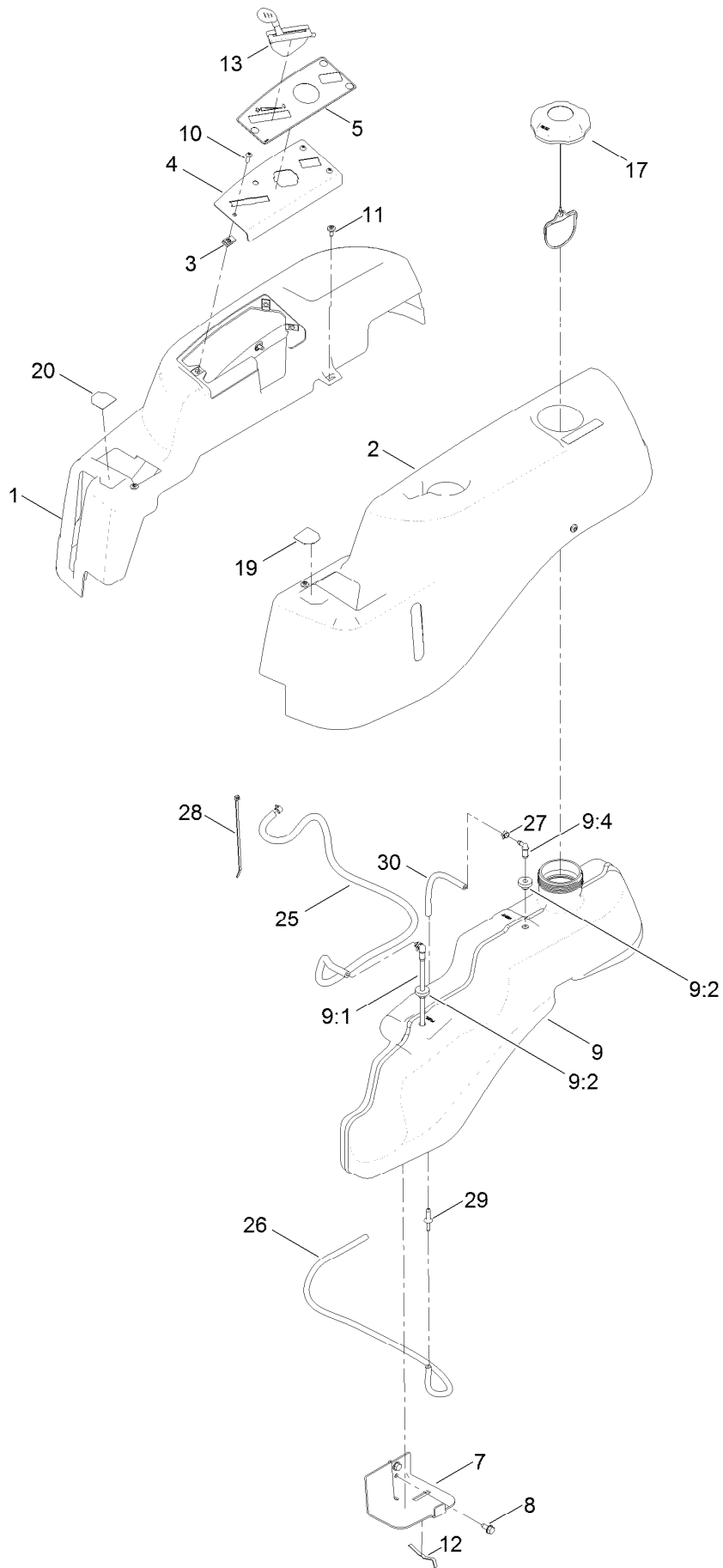




## Gasket and Seal Kit Assembly (continued)

<i>Ref.</i>	<i>Part Number</i>	<i>Qty.</i>	<i>Description</i>	<i>Ref.</i>	<i>Part Number</i>	<i>Qty.</i>	<i>Description</i>
1	127-9192	1	Gasket And Seal Kit	1:9	120-4343	1	Seal-Pump, Oil
1:1	120-4206	1	Gasket-Cover, Valve	1:10	120-4362	1	Seal-Adaptor, Oil
1:2	120-4317	1	Gasket-Exhaust	1:11	120-4257	1	Seal-Oil
1:3	120-4201	1	Gasket-Cylinder	1:12	120-4250	1	Gasket-Carburetor
1:4	120-4267	2	Seal-Oil	1:13	120-4247	2	Gasket-Carburetor
1:5	120-4262	1	O-Ring	1:14	127-9185	1	Gasket-Carburetor
1:6	120-4260	1	Gasket-Crankcase	1:15	120-4264	1	Gasket-Breather
1:7	120-4348	1	O-Ring	1:16	127-9189	1	Cap-Seal
1:8	120-4282	1	O-Ring				

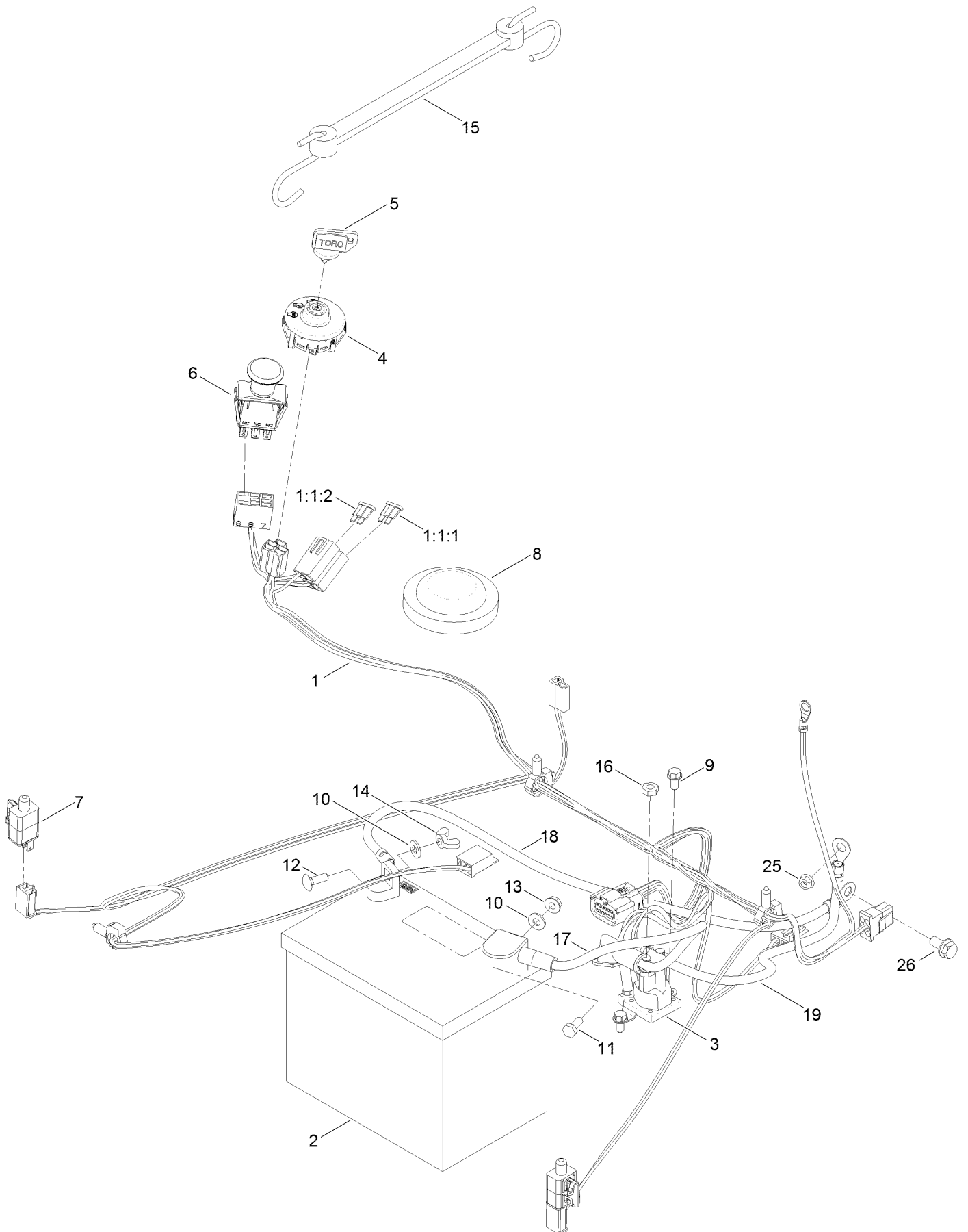
# Body Styling and Fuel Tank Assembly



## Body Styling and Fuel Tank Assembly (continued)

<i>Ref.</i>	<i>Part Number</i>	<i>Qty.</i>	<i>Description</i>	<i>Ref.</i>	<i>Part Number</i>	<i>Qty.</i>	<i>Description</i>
1	119-3335	1	Pod-RH	11	120-7950	6	Screw-Shoulder
2	119-3334	1	Pod-LH	12	609830	2	Spring
3	107069	3	Clip	13	121-0767	1	Cable-Throttle And Choke
4	119-3378-03	1	Plate-Control	17	120-5461	1	Cap-Fuel, Ratcheting
5	121-0771	1	Decal-Panel, Control	19	119-8814	1	Decal-Control Lever, LH
7	119-3476-03	1	Support-Tank, Front	20	119-8815	1	Decal-Control Lever, RH
8	32144-70	2	Screw-HWHTF	25	109-0307	1	Hose-Fuel
9	119-3324	1	Fuel Tank ASM	26	110-3254	1	Hose-Fuel
9:1	121-0793	1	Connector-Elbow, 90 DEG	27	2412-98	3	Clamp-Hose
9:2	46-6560	2	Bushing	28	614249	3	Tie-Cable
9:4	117-7400	1	Fitting-Plastic	29	117-5399	1	Adaptor-Orifice
10	3258-166	3	Screw-PRH	30	110-1876	1	Hose-Fuel

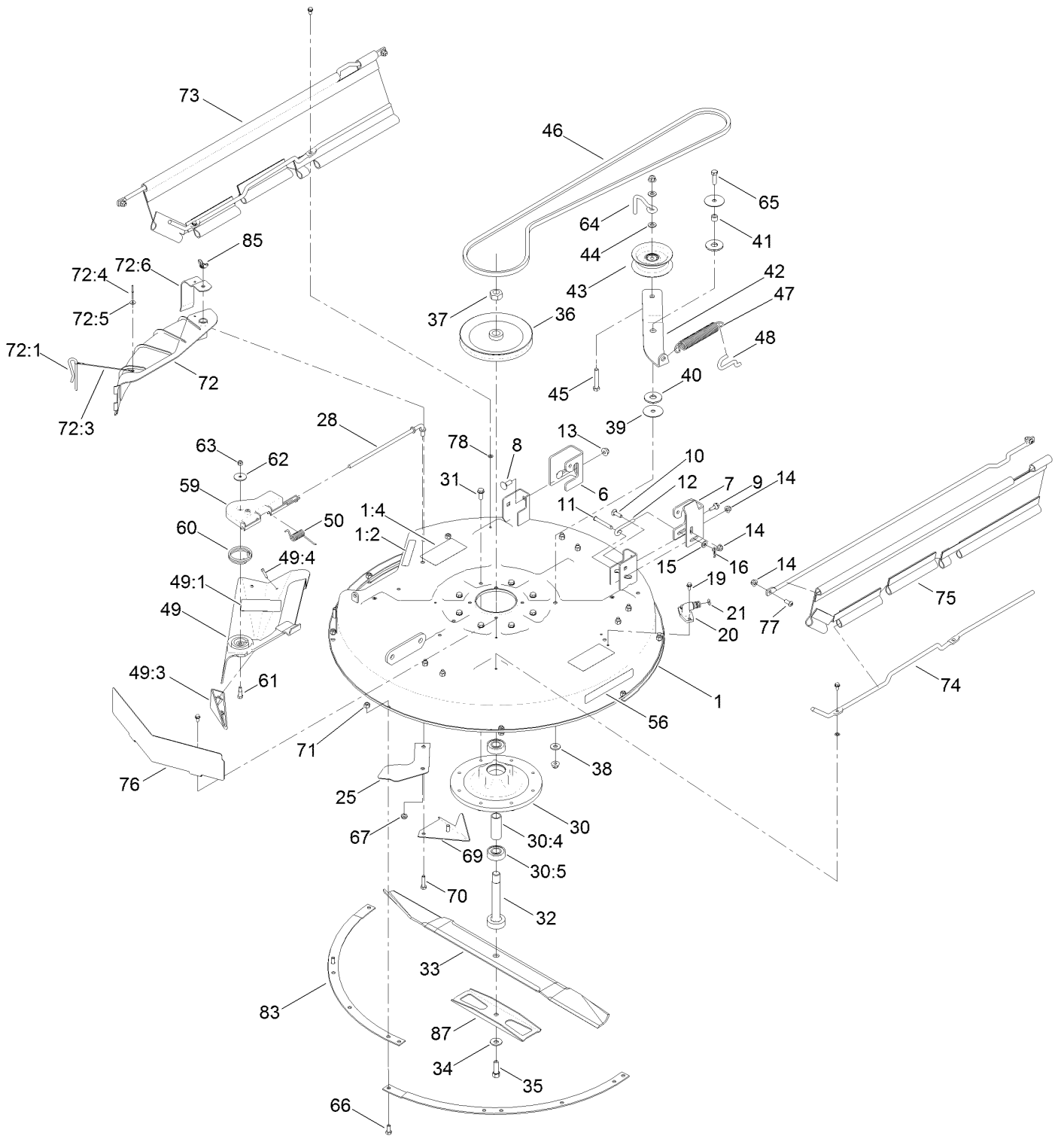
# Battery and Electrical Assembly



## Battery and Electrical Assembly (continued)

<i>Ref.</i>	<i>Part Number</i>	<i>Qty.</i>	<i>Description</i>	<i>Ref.</i>	<i>Part Number</i>	<i>Qty.</i>	<i>Description</i>
1	136-7482	1	Harness-Wire	11	321-3	1	Screw-HH
1:1:1	109103	1	Fuse-Blade, 30 Amp	12	3229-1	1	Bolt-CARR
1:1:2	109102	1	Fuse-Blade, 25 Amp	13	32128-33	1	Nut-HF
2	105-1692	1	Battery-Dry	14	32103-22	1	Nut-Wing
3	117-1197	1	Solenoid	15	104-2466	1	Holddown-Battery
4	117-2221	1	Switch-Ignition	16	3220-2	2	Nut-Jam
5	63-8360	1	Key-Ignition	17	119-8897	1	Cable-Battery, Red
6	103-5221	1	Switch-PTO	18	121-0711	1	Cable-Battery, Positive
7	110-6765	2	Switch	19	119-8899	1	Cable-Battery, Black
8	100-3524	1	Switch-Seat	25	33003-00	1	Nut-HF
9	32144-4	2	Screw-HWH	26	3234-14	1	Screw-HHF
10	3256-22	2	Washer-Flat				

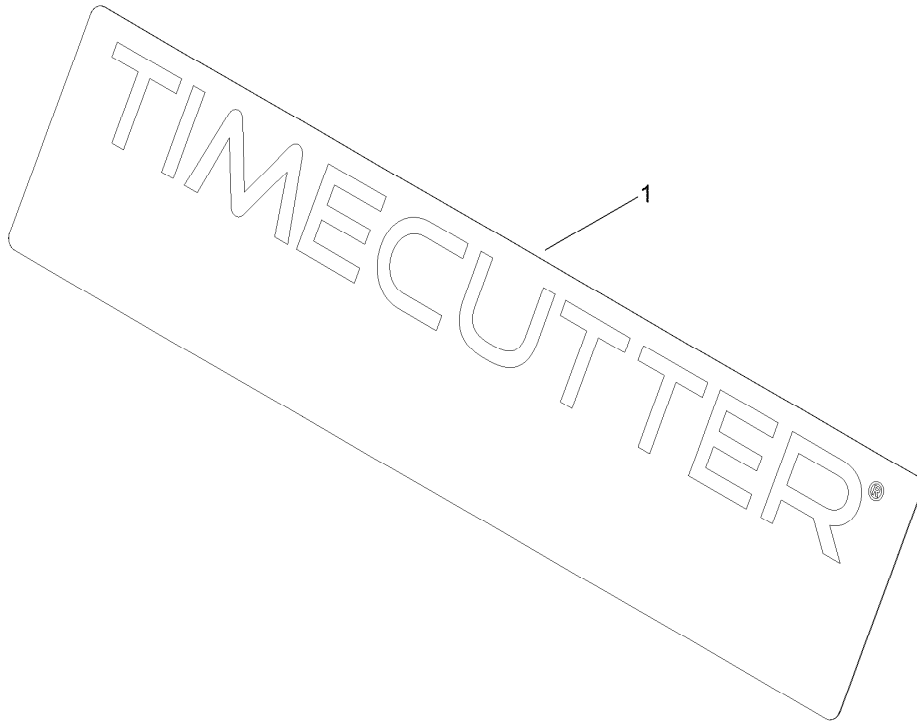
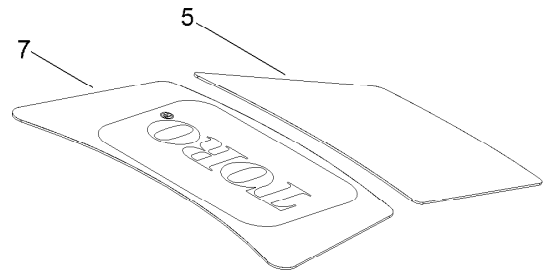
# 32 Inch Deck Assembly



## 32 Inch Deck Assembly (continued)

<i>Ref.</i>	<i>Part Number</i>	<i>Qty.</i>	<i>Description</i>	<i>Ref.</i>	<i>Part Number</i>	<i>Qty.</i>	<i>Description</i>
1	131-3602	1	32 Inch Deck And Decal ASM	45	323-11	1	Screw-HH
1:2	93-7009	1	Decal-Danger	46	119-8821	1	V-Belt, 81.8 Inch
1:4	132-0872	2	Decal-Danger, Deck	47	106-2177	1	Spring-Extension
6	131-4138	1	Bracket-Hanger, RH	48	88-5970	1	Hook-Return, Spring
7	131-1091	1	Bracket-Hanger, LH	49	120-2298	1	32 Inch Deflector ASM
8	3231-2	2	Bolt-CARR	49:1	110-6691	1	Decal-Danger
9	120-7024	1	Screw-Shoulder, HHF	49:3	93-7696	2	Kicker
10	3230-22	1	Screw-CARR	49:4	93-0231	4	Screw-PPH
11	110-0618	1	Pin-Clevis	50	92-2493	1	Spring-Torsion
12	131-0955	1	Rod-Level, Deck	56	119-2368	1	Decal-Recycler
13	104-8301	4	Nut-Flange, NI	59	88-4540	1	Pivot-Hinge, Deflector
14	104-8300	6	Nut-Flange, NI	60	88-6160	1	Spring-Torsion
15	3256-23	1	Washer-Flat	61	92-8916	1	Bolt-Shoulder
16	1-806003	1	Pin-Cotter	62	3256-55	1	Washer-Flat
19	32144-4	8	Screw-HWH	63	3296-42	1	Nut-Lock, NI
20	95-2747	1	Fitting-Washout	64	107-7307	1	Guide-Idler, Belt
21	46-6290	1	O-Ring	65	323-7	1	Screw-HH
25	119-8877-03	1	Ramp-Deflector	66	322-3	15	Screw-HH
28	119-8858	1	Rod-Pivot	67	3296-59	1	Nut-Lock, NI
30	119-0368	1	Spindle Housing ASM	69	80-2630-03	4	Kicker
30:4	251-297	2	Bearing-Ball	70	322-6	1	Screw-HH
30:5	83-7020	1	Spacer-Bearing	71	3296-29	15	Nut-Lock, NI
31	32144-41	8	Screw-Taptite	72	82-6151	1	Discharge Cover ASM
32	119-8825	1	Shaft-Spindle	72:1	28-8130	1	Pin-Locking, Chute
33	80-4430-03	1	Blade-Recycler, 31.35 Inch	72:3	28-8070	1	Lanyard
34	3290-465	1	Washer-Belleville	72:4	3290-282	2	Rivet-Blind
35	26-0671	1	Screw-HH	72:5	3256-49	1	Washer-Flat
36	119-8804	1	Pulley-Deck	72:6	83-7010-03	1	Brace
37	3219-7	1	Nut-Hex	73	131-3669	2	Rod-Support, Upper
38	80-6990	1	Washer-Hardened	74	131-3681	2	Rod-Support, Lower
39	120-2229	2	Washer	75	131-3685	2	Guard-Side
40	114-0463	2	Washer-Friction, Composite	76	131-3666-03	1	Shield-Front
41	115-4986	1	Spacer	77	3274-55	4	Screw-HSBH
42	119-8966	1	Arm-Idler	78	1-803037	4	Nut-Retaining
43	106-2175	1	Pulley-Idler, Flat	83	80-4490-03	4	Ring-Deck
44	3256-24	2	Washer-Flat	85	32103-2	1	Nut-Wing
				87	80-4570-03	1	Stiffener

# Model Specific Decal Assembly

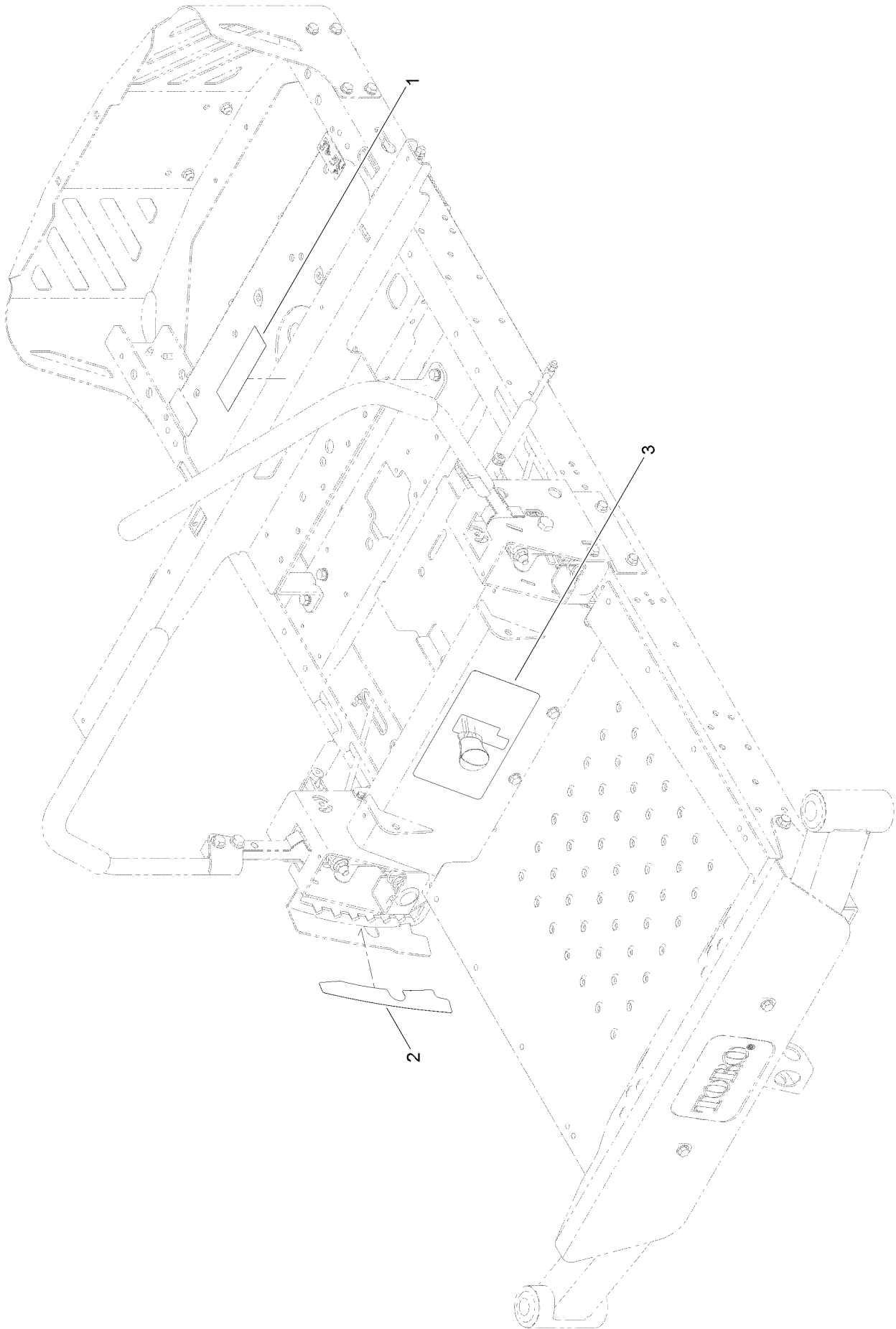




## Model Specific Decal Assembly (continued)

<i>Ref.</i>	<i>Part Number</i>	<i>Qty.</i>	<i>Description</i>
1	121-3032	1	Decal-Timecutter
5	130-0682	1	Decal-Engine Displacement
7	125-1700	1	Decal-Engine

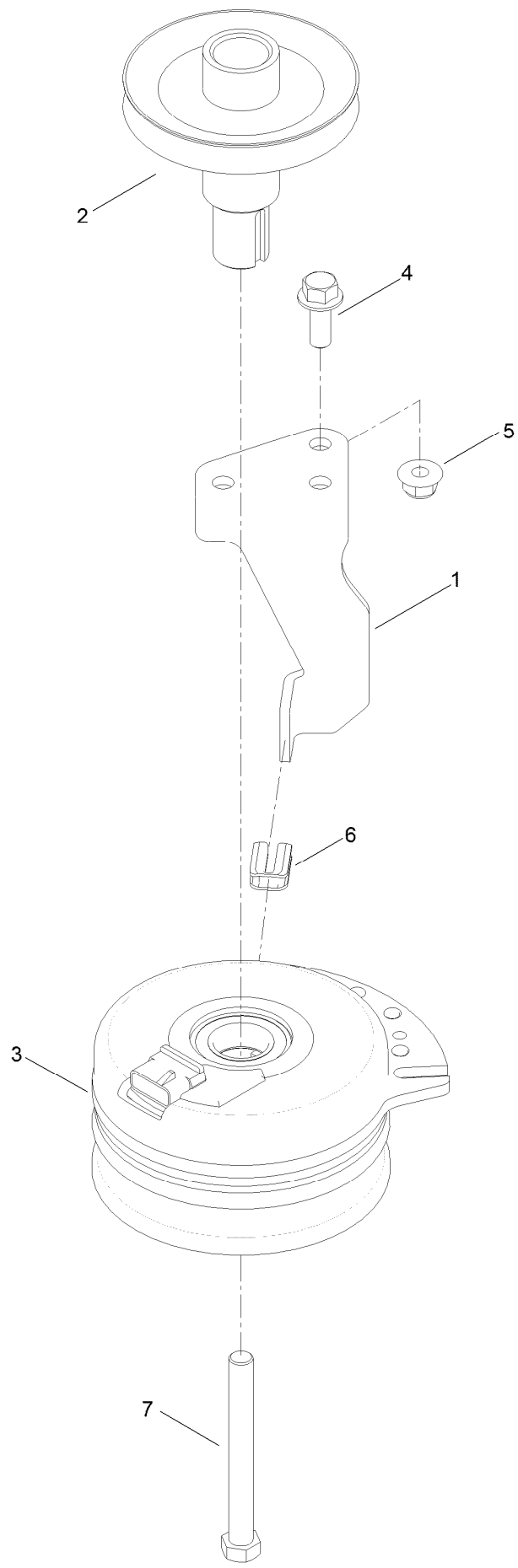
# Frame Decal Assembly



## Frame Decal Assembly (continued)

<i>Ref.</i>	<i>Part Number</i>	<i>Qty.</i>	<i>Description</i>
1	106-8717	1	Decal-Service
2	120-5469	1	Decal
3	131-3948	1	Decal-Speed Control

# Clutch Assembly



## Clutch Assembly (continued)

<i>Ref.</i>	<i>Part Number</i>	<i>Qty.</i>	<i>Description</i>	<i>Ref.</i>	<i>Part Number</i>	<i>Qty.</i>	<i>Description</i>
1	119-8884	1	Stop-Clutch	5	104-8301	1	Nut-Flange, NI
2	130-6854	1	Pulley-Engine	6	120-2217	1	Isolator-Clutch
3	125-0038	1	Clutch-Electric	7	3212-16	1	Screw-HH
4	3234-42	1	Screw-HHF				

# Attachments and Accessories

## For 74650 TimeCutter ZS 3200S Riding Mower

<b>Product Name</b>	<b>Model/Part</b>
Hourmeter Kit .....	116-5461
All Season Synthetic Oil.....	117-0066
Fuel Stabilizer (4oz).....	117-0089
Fuel Stabilizer (16oz).....	117-0090
Seat With Armrests-18in.....	119-8830
Jack Mount Kit.....	126-5251
Jack Kit.....	127-6666
Attachment Mount Kit .....	131-3966
Weight Kit .....	131-7658
Deluxe Seat Kit.....	131-7699
Floor Mat Kit .....	132-6921
10w30 4-cycle Engine Oil (32oz Bottle) .....	38280
Toro 4-cycle Sae 30 Oil (32oz Bottle).....	38903
Storage Cover .....	490-7516
Foot Assist Deck Lift Kit, 2011 and After Zero-Turn-Radius Riding Mower .....	79010
Sunshade Kit .....	79011
Cargo Carrier.....	79040
Assist Handle and Step Kit .....	79339
32in Bagger .....	79390

**Notes:**



**Count on it.**