



Count on it.

**EN 53cm Super Bagger Lawn
Mower**

20899

**DE Super Bagger-Rasenmäher (53
cm)**

20899

**FR Tondeuse Super Bagger de 53
cm**

20899

**NL Super Bagger gazonmaaier
van 53 cm**

20899





53cm Super Bagger Lawn Mower

Model No. 20899—Serial No. 315000001 and Up

Operator's Manual

Introduction

This rotary-blade, walk-behind lawn mower is intended to be used by residential homeowners. It is designed primarily for cutting grass on well-maintained lawns on residential properties. It is not designed for cutting brush or for agricultural uses.

Read this information carefully to learn how to operate and maintain your product properly and to avoid injury and product damage. You are responsible for operating the product properly and safely.

You may contact Toro directly at www.Toro.com for product and accessory information, help finding a dealer, or to register your product.

Whenever you need service, genuine Toro parts, or additional information, contact an Authorized Service Dealer or Toro Customer Service and have the model and serial numbers of your product ready. [Figure 1](#) identifies the location of the model and serial numbers on the product.

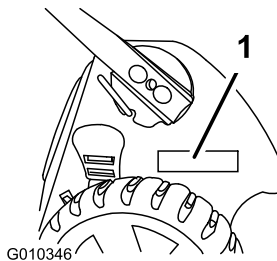


Figure 1

1. Model and serial number plate

Write the product model and serial numbers in the space below:

<p>Model No. _____</p> <p>Serial No. _____</p>
--

This manual identifies potential hazards and has safety messages identified by the safety alert symbol ([Figure 2](#)), which signals a hazard that may cause serious injury or death if you do not follow the recommended precautions.



Figure 2

1. Safety alert symbol

This manual uses 2 words to highlight information.

Important calls attention to special mechanical information and **Note** emphasizes general information worthy of special attention.

This product complies with all relevant European directives. For details, see the separate product-specific Declaration of Conformity (DOC) sheet.

Net Torque: The gross or net torque of this engine was laboratory rated by the engine manufacturer in accordance with the Society of Automotive Engineers (SAE) J1940. As configured to meet safety, emission, and operating requirements, the actual engine torque on this class of mower will be significantly lower. Go to www.Toro.com to view specifications on your mower model.

Do not tamper with the engine controls or alter the governor speed; doing so may create an unsafe condition resulting in personal injury.

Contents

Introduction	1
Safety	2
General Lawn Mower Safety	2
Sound Pressure	3
Sound Power	3
Hand/Arm Vibration	4
Safety and Instructional Decals	4
Setup	5
1 Unfolding the Handle	5
2 Installing the Recoil-Starter Rope in the Rope Guide.....	5
3 Filling the Engine with Oil.....	6
4 Installing the Mulch Plug or the Grass Bag	6
5 Assembling the Grass Bag	8
Product Overview	9
Specifications	9
Operation	9
Filling the Fuel Tank	9
Checking the Engine-Oil Level.....	10
Adjusting the Cutting Height.....	10



Adjusting the Upper Handle Height	11
Starting the Engine	11
Using the Self-Propel Drive	12
Stopping the Engine	12
Mulching the Clippings	12
Bagging the Clippings	12
Side-Discharging the Clippings.....	14
Operating Tips	15
Maintenance	16
Recommended Maintenance Schedule(s)	16
Preparing for Maintenance.....	16
Servicing the Air Filter	16
Changing the Engine Oil	17
Lubricating the Upper Handle.....	18
Adjusting the Self-Propel Drive.....	18
Replacing the Blade	19
Cleaning under the Machine Housing	20
Storage	20
Preparing the Machine for Storage	20
Folding the Handle	20
Remove the Machine from Storage.....	21

Safety

This machine has been designed in accordance with EN ISO 5395:2013.

Improperly using or maintaining this mower can result in injury. To reduce the potential for injury, comply with these safety instructions.

Toro designed and tested this machine for reasonably safe service; however, failure to comply with the following instructions may result in personal injury.

To ensure maximum safety and best performance, and to gain knowledge of the product, it is essential that you and any other operator of the mower read and understand the contents of this manual before the engine is ever started. Pay particular attention to the safety alert symbol (Figure 2), which means Caution, Warning, or Danger—“personal safety instruction.” Read and understand the instruction because it has to do with safety. Failure to comply with the instruction may result in personal injury.

General Lawn Mower Safety

This cutting machine is capable of amputating hands and feet and of throwing objects. Failure to observe the following safety instructions could result in serious injury or death.

Training

- Read the instructions carefully. Be familiar with the controls and the proper use of the equipment.
- Never allow children or people unfamiliar with these instructions to use the machine. Local regulations can restrict the age of the operator.

- Keep in mind that the operator or user is responsible for accidents or hazards occurring to other people or their property.
- Understand explanations for all pictograms used on the machine or in the instructions.

Gasoline

WARNING-Gasoline is highly flammable. Take the following precautions.

- Store fuel in containers specifically designed for this purpose.
- Refuel outdoors only and do not smoke while refueling.
- Add fuel before starting the engine. Never remove the cap of the fuel tank or add gasoline while the engine is running or when the engine is hot.
- If gasoline is spilled, do not attempt to start the engine but move the machine away from the area of spillage and avoid creating any source of ignition until gasoline vapors have dissipated.
- Replace all fuel tank and container caps securely.

Preparation

- While mowing, always wear substantial, slip-resistant footwear and long trousers. Do not operate the equipment when barefoot or wearing open sandals.
- Thoroughly inspect the area where the equipment is to be used and remove all stones, sticks, wires, bones and other foreign objects.
- Before using, always visually inspect to see that guards and safety devices, such as deflectors and/or grass catchers, are in place and working correctly.
- Before using, always visually inspect to see that the blades, blade bolts and cutter assembly are not worn or damaged. Replace worn or damaged blades and bolts in sets to preserve balance.

Starting

- Do not tilt the machine when starting the engine unless the machine must be tilted for starting. In this case, do not tilt it more than absolutely necessary and lift only the part which is away from the operator.
- Start the engine carefully according to instructions and with feet well away from the blade(s) and not in front of the discharge chute.

Operation

- Never mow while people, especially children, or pets are nearby.
- Mow only in daylight or in good artificial light.
- Stay alert for holes in the terrain and other hidden hazards.

- Do not put hands or feet near or under rotating parts. Keep clear of the discharge opening at all times.
- Never pick up or carry a lawn mower while the engine is running.
- Use extreme caution when reversing or pulling a pedestrian-controlled mower toward you.
- Walk, never run.
- Slopes:
 - Do not mow excessively steep slopes.
 - Exercise extreme caution when on slopes.
 - Mow across the face of slopes, never up and down, and exercise extreme caution when changing direction on slopes.
 - Always be sure of your footing on slopes.
- Reduce speed on slopes and in sharp turns to prevent overturning or loss of control.
- Stop the blade if the machine must be tilted for transportation when crossing surfaces other than grass and when transporting the machine to and from the area to be mowed.
- Do not operate the engine in a confined space where dangerous carbon monoxide and other exhaust gasses can collect.
- Stop the engine
 - whenever you leave the machine.
 - before refueling.
 - before removing the grass catcher.
 - before making height adjustment unless adjustment can be made from the operating position.
- Stop the engine and disconnect the spark-plug wire.
 - before clearing blockages or unclogging chute.
 - before checking, cleaning or working on the machine.
 - after striking a foreign object, inspect the machine for damage and make repairs before restarting and operating the machine.
 - if the machine starts to vibrate abnormally (check immediately).
- Lightning can cause severe injury or death. If you see lightning or hear thunder in the area, do not operate the machine; seek shelter.
- Watch out for traffic when crossing or near roadways.
- To reduce the fire hazard, keep the engine, silencer, battery compartment and gasoline storage area free of grass, leaves, or excessive grease.
- Check grass catcher components and the discharge guard frequently and replace with manufacturer's recommended parts, when necessary.
- Replace worn or damaged parts for safety.
- Replace faulty silencers.
- If the fuel tank has to be drained, do this outdoors.
- Do not change the engine governor settings or overspeed the engine. Operating an engine at excessive speed can increase the hazard of personal injury.
- Be careful while adjusting the machine to prevent entrapment of the fingers between moving blades and fixed parts of the machine.
- **To ensure the best performance and safety, purchase only genuine Toro replacement parts and accessories. Do not use *will fit* parts and accessories; they may cause a safety hazard.**

Hauling

- Use care when loading or unloading the machine into a trailer or a truck.
- Use full-width ramps for loading the machine into a trailer or a truck.
- Tie the machine down securely using straps, chains, cable, or ropes. Both the front and the rear straps should be directed down and outward from the machine.

Sound Pressure

This unit has a sound pressure level at the operator's ear of 89 dBA, which includes an Uncertainty Value (K) of 1 dBA.

The sound pressure level was determined according to the procedures outlined in EN ISO 5395:2013.

Sound Power

This unit has a guaranteed sound power level of 98 dBA, which includes an Uncertainty Value (K) of 1 dBA.

The sound power level was determined according to the procedures outlined in ISO 11094.

⚠ CAUTION

Long-term exposure to noise while operating the machine may cause some hearing loss.

Wear adequate hearing protection whenever you operate the machine for an extended period of time.

Maintenance and Storage

- Keep all nuts, bolts, and screws tight to be sure that the equipment is in safe working condition.
- Do not use pressure-cleaning equipment on the machine.
- Never store the equipment with gasoline in the tank and inside a building where fumes can reach an open flame or spark.
- Allow the engine to cool before storing in any enclosure.

Hand/Arm Vibration

Measured vibration level for right hand = 3.8 m/s²

Measured vibration level for left hand = 4.1 m/s²

Uncertainty Value (K) = 2.1 m/s²

Measured values were determined according to the procedures outlined in EN ISO 5395:2013.

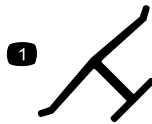
⚠ CAUTION

Long-term exposure to vibration while operating the machine may cause some numbness in the hands and wrists.

Wear gloves that dampen the vibration whenever you operate the machine for an extended period of time.

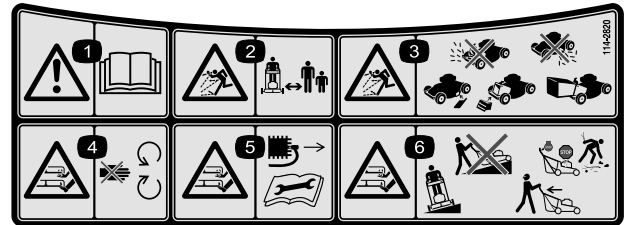
Safety and Instructional Decals

Important: Safety and instruction decals are located near areas of potential danger. Replace damaged decals.



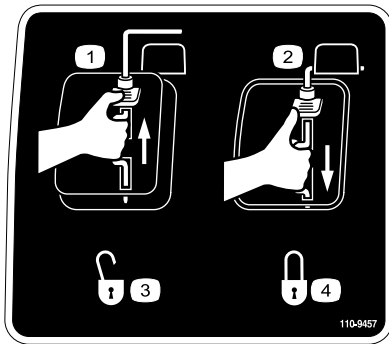
Manufacturer's Mark

1. Indicates the blade is identified as a part from the original machine manufacturer.



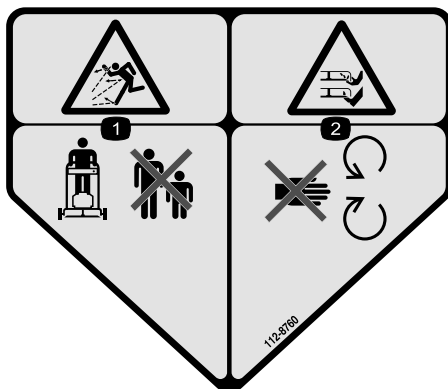
114-2820

- | | |
|--|---|
| 1. Warning—read the <i>Operator's Manual</i> . | 4. Cutting/dismemberment hazard of hand or foot, mower blade—stay away from moving parts. |
| 2. Thrown object hazard—keep bystanders a safe distance from the machine. | 5. Cutting/dismemberment hazard of hand or foot, mower blade—remove the ignition key and read the instructions before servicing or performing maintenance. |
| 3. Thrown object hazard—do not operate the mower without the rear discharge plug or bag in place; do not operate the mower without the side discharge cover or deflector in place. | 6. Cutting/dismemberment hazard of hand or foot, mower blade—do not operate up and down slopes; operate side to side on slopes; stop the engine before leaving the operating position; and look behind you when backing up. |



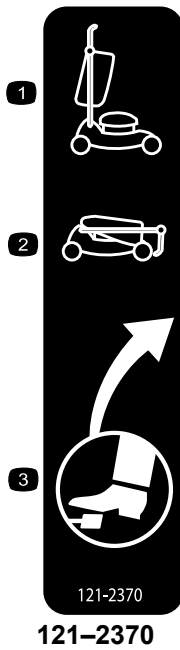
110-9457

- | | |
|----------------------|-------------|
| 1. Engine switch Off | 3. Unlocked |
| 2. Engine switch On | 4. Locked |



112-8760

1. Thrown object hazard—keep bystanders a safe distance from the machine.
2. Cutting/dismemberment of hand or foot—stay away from moving parts.



121-2370

- 1. Handle in raised position
- 2. Handle in lowered position
- 3. Foot pedal location

Setup

Important: Remove and discard the protective plastic sheet that covers the engine.

1

Unfolding the Handle

No Parts Required

Procedure

1. Move the handle rearward and hold the upper handle in place (Figure 3).

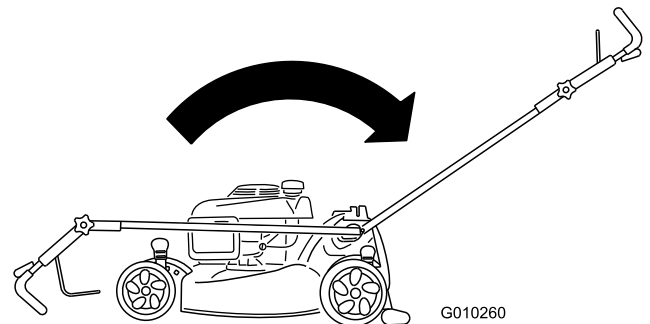


Figure 3

G010260

Note: The handle will click into position.

2. Tighten the upper handle knob as tight as you can (Figure 4).

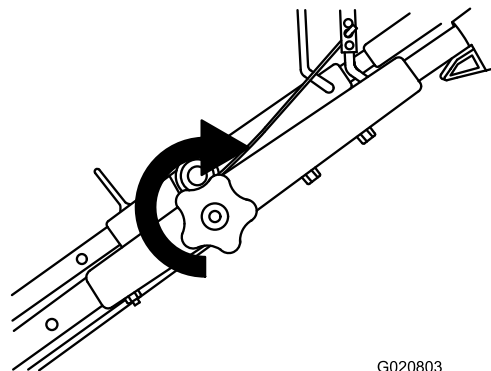


Figure 4

G020803

2

Installing the Recoil-Starter Rope in the Rope Guide

No Parts Required

Procedure

Important: To start the engine safely and easily whenever you use the machine, install the recoil-starter rope in the rope guide.

Pull the recoil-starter rope through the rope guide on the handle (Figure 5).

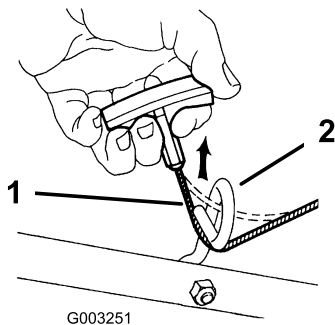


Figure 5

1. Recoil-starter rope
2. Rope guide

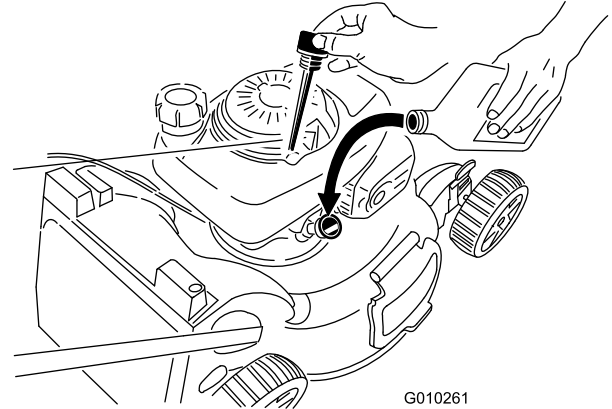
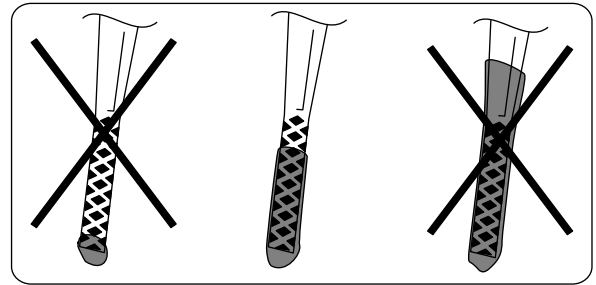


Figure 6

3. Wipe the dipstick clean with a clean cloth.
4. Insert the dipstick into the oil-fill tube, **but do not screw it in.**
5. Remove the dipstick and read the oil level on the dipstick; refer to Figure 6.
 - If the oil level is too low, slowly pour a small amount of oil into the oil-fill tube, wait 3 minutes, and then repeat steps 3 through 5 until the oil level is correct as shown in Figure 16.
 - If the oil level is too high, drain the excess oil until the oil level is correct as shown in Figure 16. To drain the excess oil, refer to [Changing the Engine Oil](#) (page 17).
6. Install the dipstick into the oil-fill tube securely.

Important: If the oil level in the crankcase is too low or too high and you run the engine, you may damage the engine.

Important: *Change the engine oil after the first 5 operating hours; change it yearly thereafter. Refer to [Changing the Engine Oil](#) (page 17).*

3

Filling the Engine with Oil

No Parts Required

Procedure

Important: Your machine does not come with oil in the engine. Before starting the engine, fill the engine crankcase with oil.

1. Move the machine to a level surface.
2. Remove the dipstick (Figure 6) and pour about 3/4 of the crankcase capacity of oil into the oil-fill tube.

Note: Max fill: 0.55 L (18.6 oz), type: SAE 30 detergent oil with an API service classification of SF, SG, SH, SJ, SL, or higher.

4

Installing the Mulch Plug or the Grass Bag

No Parts Required

Procedure

You must correctly install either the mulch plug (for recycling or side-discharging the grass clippings) or the grass bag; otherwise, **the engine will not start**.

The machine has a safety switch (located at the bottom of the channel on the upper right rear of the machine) that prevents the machine from operating without a mulch plug or a grass bag in place. This prevents the machine from throwing debris at the operator through the rear opening.

For the switch to detect the mulch plug, the top of the mulch plug lever must **lie fully** in the **bottom of the channel** (Figure 7).

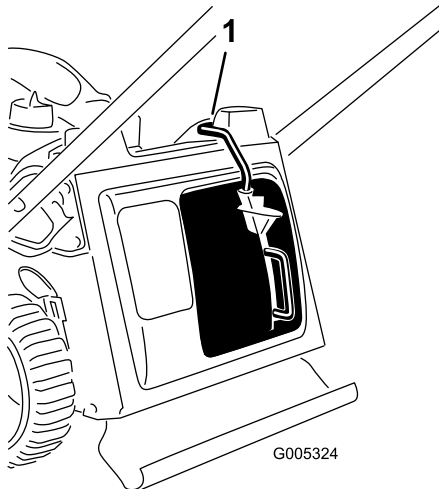


Figure 7

1. The top of mulch plug lever in the switch channel

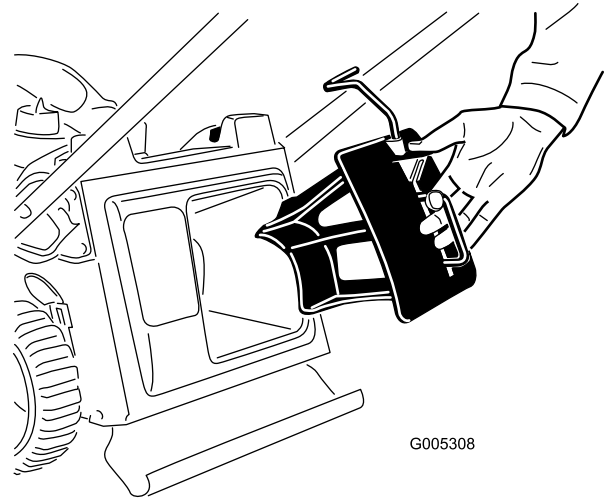


Figure 8

2. Squeeze the button on the lever with your thumb, and fully insert the mulch plug into the opening (Figure 9).

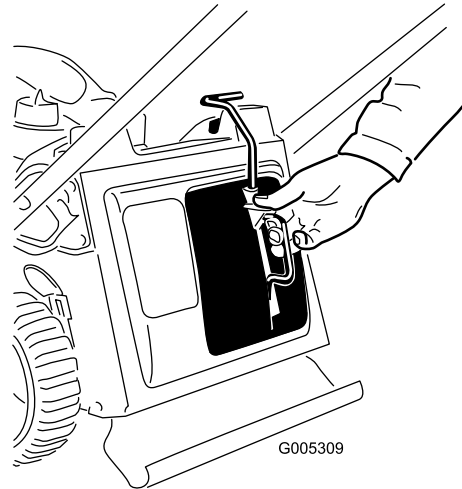


Figure 9

3. Release the button on the lever and ensure that the top of the lever is lies fully in the switch channel (Figure 10). **If the top of the lever is not in the switch channel, your machine will not start!**

1. Insert the mulch plug into the machine if it is not already installed (Figure 8).

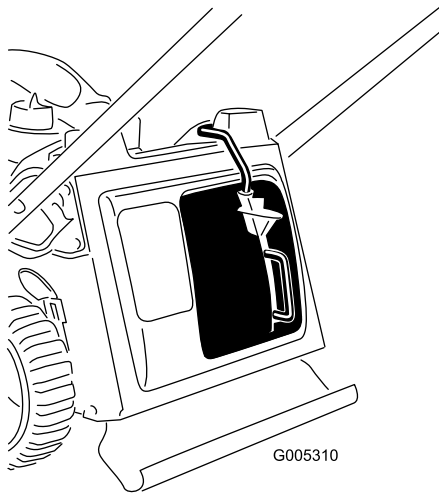


Figure 10

Note: If the lever does not latch properly, disconnect the wire from the spark plug and check for and remove any debris buildup in the tunnel.

5

Assembling the Grass Bag

No Parts Required

Procedure

1. Slip the grass bag over the frame as shown in [Figure 11](#).

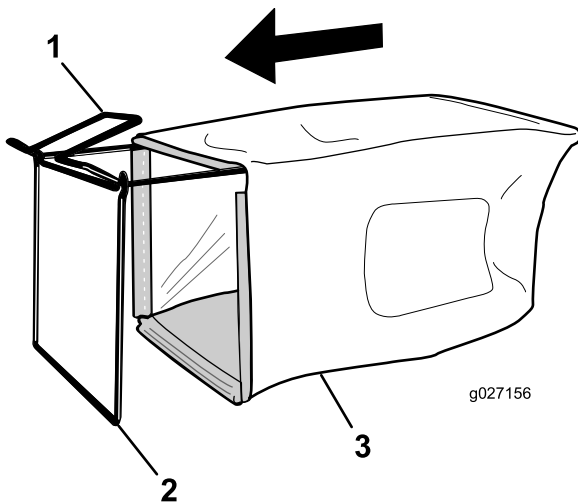


Figure 11

- | | |
|-----------|--------------|
| 1. Handle | 3. Grass bag |
| 2. Frame | |

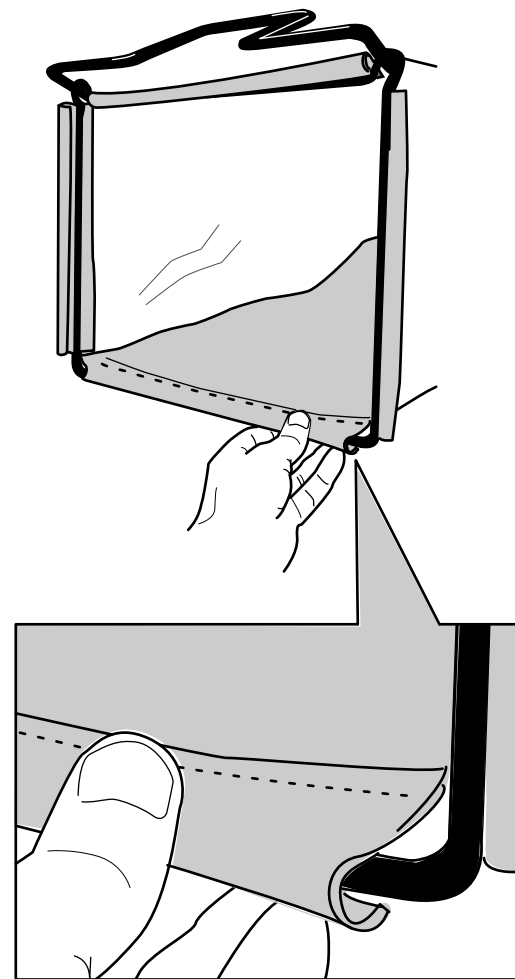


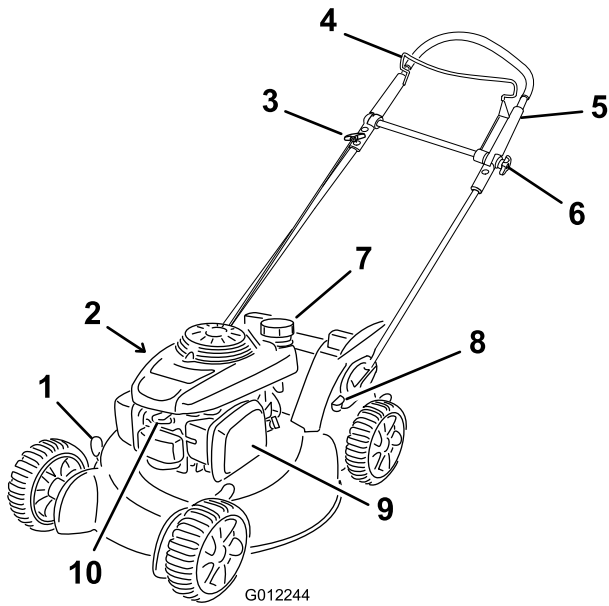
Figure 12

3. Hook the top and side channels of the bag onto the top and sides of the frame, respectively ([Figure 12](#)).

Note: Do not slip the bag over the handle ([Figure 11](#)).

2. Hook the bottom channel of the bag onto the bottom of the frame ([Figure 12](#)).

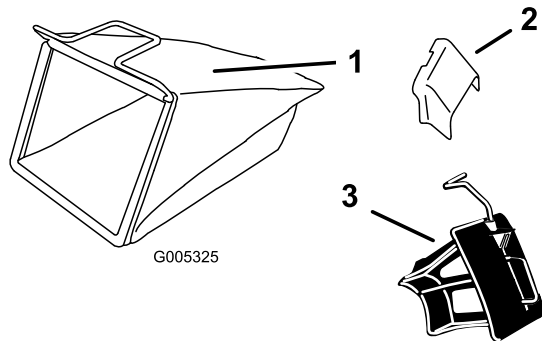
Product Overview



G012244

Figure 13

- | | |
|----------------------------------|----------------------|
| 1. Cutting-height lever (4) | 6. Upper-handle knob |
| 2. Oil fill/dipstick (not shown) | 7. Fuel-tank cap |
| 3. Recoil-start handle | 8. Foot pedal |
| 4. Blade-control bar | 9. Air filter |
| 5. Upper handle | 10. Spark plug |



G005325

Figure 14

- | | |
|-------------------------|--|
| 1. Grass bag | 3. Mulch plug (comes installed on the machine) |
| 2. Side-discharge chute | |

Specifications

Model	Weight	Length	Width	Height
20897	36 kg (80 lb)	159 cm (63 inches)	56 cm (22 inches)	110 cm (43 inches)

Operation

Filling the Fuel Tank

Recommended Fuel:

- For best results, use only clean, fresh (less than 30 days old), unleaded gasoline with an octane rating of 87 or higher ((R+M)/2 rating method).
- Ethanol:** Gasoline with up to 10% ethanol (gasohol) or 15% MTBE (methyl tertiary butyl ether) by volume is acceptable. Ethanol and MTBE are not the same. Gasoline with 15% ethanol (E15) by volume is not approved for use. **Never use gasoline that contains more than 10% ethanol by volume**, such as E15 (contains 15% ethanol), E20 (contains 20% ethanol), or E85 (contains up to 85% ethanol). Using unapproved gasoline may cause performance problems and/or engine damage which may not be covered under warranty.
- Do not** use gasoline containing methanol.
- Do not** store fuel either in the fuel tank or fuel containers over the winter unless a fuel stabilizer is used.
- Do not** add oil to gasoline.

Important: To reduce starting problems, add fuel stabilizer to the fuel all season, mixing it with gasoline less than 30 days old; run the machine dry before storing it for more than 30 days.

Do not use fuel additives other than a fuel stabilizer/conditioner. Do not use fuel stabilizers with an alcohol base such as ethanol, methanol, or isopropanol.

▲ DANGER

Gasoline is extremely flammable and explosive. A fire or explosion from gasoline can burn you and others.

- To prevent a static charge from igniting the gasoline, place the container and/or machine directly on the ground before filling, not in a vehicle or on an object.
- Fill the tank outdoors when the engine is cold. Wipe up spills.
- Do not handle gasoline when smoking or around an open flame or sparks.
- Store gasoline in an approved fuel container, out of the reach of children.
- Do not tip the machine on its side with fuel in the tank.

- Clean around the fuel-tank cap, and remove the cap from the tank (Figure 15).

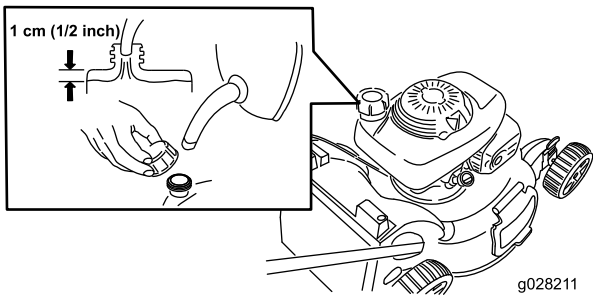


Figure 15

2. Fill the fuel tank, leaving at least 1 cm (1/2 inch) from the bottom of the neck empty to allow the gasoline room to expand.
3. Install the fuel tank cap and tighten it securely by hand.

Checking the Engine-Oil Level

Service Interval: Before each use or daily

Note: Max fill: 0.55 L (18.6 oz), type: SAE 30 detergent oil with an API service classification of SF, SG, SH, SJ, SL, or higher.

1. Move the machine to a level surface.
2. Remove the dipstick (Figure 16).

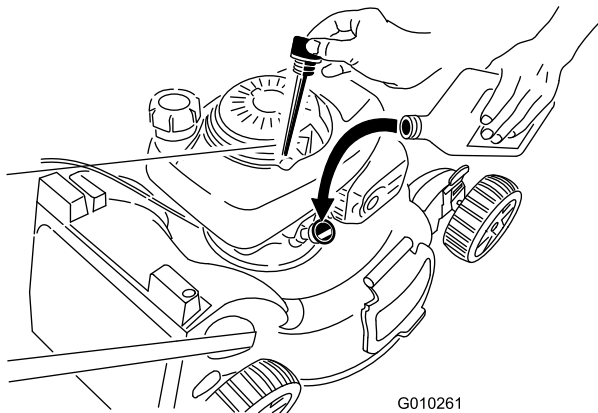
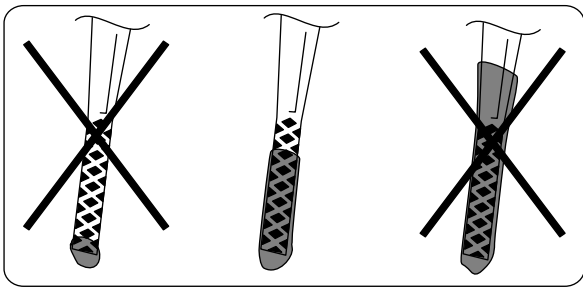


Figure 16

3. Wipe the dipstick clean with a clean cloth.
4. Insert the dipstick into the oil-fill tube, **but do not screw it in**.
5. Remove the dipstick and read the oil level on the dipstick; refer to Figure 16.

- If the oil level is too low, slowly pour a small amount of oil into the oil-fill tube, wait 3 minutes, and then repeat steps 3 through 5 until the oil level is correct as shown in Figure 6.
- If the oil level is too high, drain the excess oil until the oil level is correct as shown in Figure 6. To drain the excess oil, refer to [Changing the Engine Oil](#) (page 17).

Important: If the oil level in the crankcase is too low or too high and you run the engine, you may damage the engine.

6. Install the dipstick into the oil-fill tube securely.

Adjusting the Cutting Height

⚠ WARNING

Adjusting the cutting height may bring you into contact with the moving blade, causing serious injury.

- Stop the engine and wait for all moving parts to stop.
- Stay away from the hot muffler.
- Do not put your fingers under the housing when adjusting the cutting height.

Adjust the cutting height as desired. Set the front wheels to the same height as the rear wheels (Figure 17).

Note: To raise the machine, move all the cutting-height levers forward; to lower the machine, move all the cutting-height levers rearward.

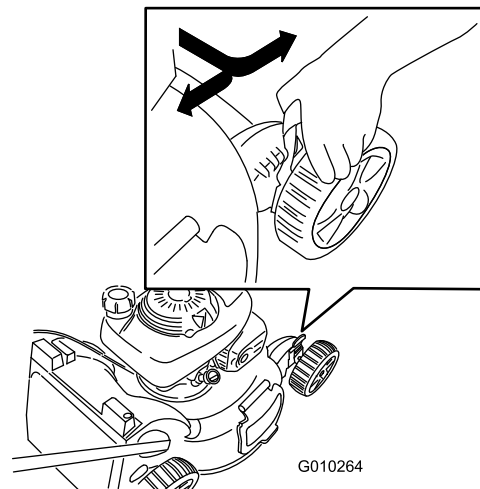


Figure 17

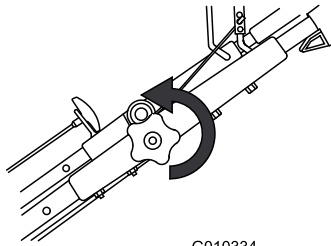
Note: The cutting-height settings are 25 mm (1 inch); 35 mm (1-3/8 inch); 44 mm (1-3/4 inch); 54 mm (2-1/8 inches); 64 mm (2-1/2 inches); 73 mm (2-7/8 inches); 83 mm (3-1/4 inches); 92 mm (3-5/8 inches); and 102 mm (4 inches).

Adjusting the Upper Handle Height

You may raise or lower the upper handle to a position comfortable for you.

Note: You cannot raise the upper handle higher than the angle of the lower handle.

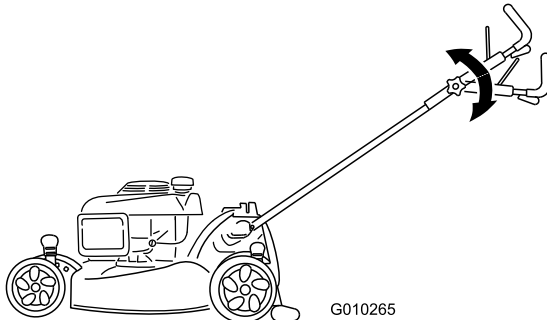
1. Loosen the upper-handle knob (Figure 18).



G010334

Figure 18

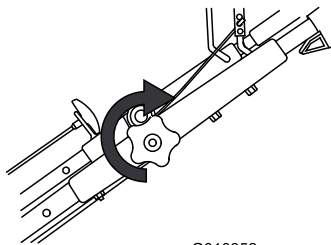
2. Move the upper handle to the desired position (Figure 19).



G010265

Figure 19

3. Tighten the upper handle knob as tight as you can (Figure 20).



G010352

Figure 20

Starting the Engine

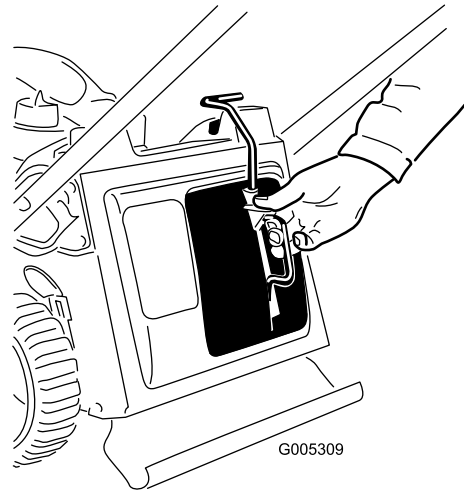
⚠ WARNING

The machine is loud and could damage your hearing.

Wear hearing protection.

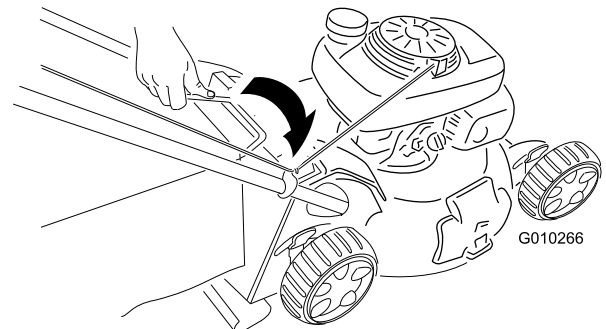
Important: The machine has a safety switch that prevents you from starting the machine unless you first install the mulch plug or the grass bag securely on the machine.

1. Install the mulch plug (Figure 21) or the grass bag (Figure 22) on the machine.



G005309

Figure 21



G010266

Figure 22

2. Turn the fuel valve lever to the On position (Figure 23).

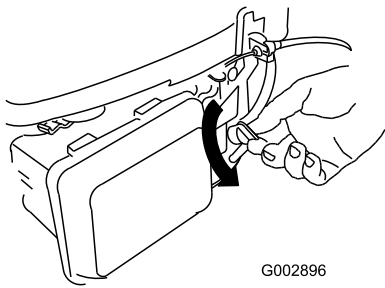


Figure 23

3. Hold the blade-control bar against the handle and pull the recoil-start handle (Figure 24).

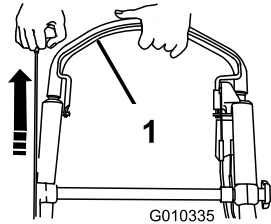


Figure 24

1. Blade-control bar

Note: If the machine still does not start, contact an Authorized Service Dealer.

Using the Self-Propel Drive

To operate the self-propel drive, simply walk with your hands on the upper handle and your elbows at your sides, and the machine will automatically keep pace with you.

Stopping the Engine

To stop the engine, release the blade control bar (Figure 25).

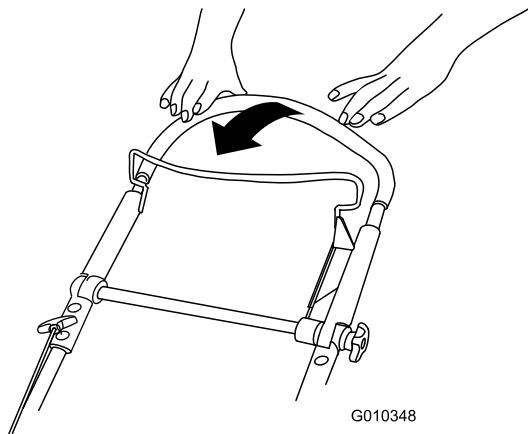


Figure 25

⚠ CAUTION

When you release the blade-control bar, both the engine and blade should stop within 3 seconds. If they do not stop properly, stop using your machine immediately and contact an Authorized Service Dealer.

Mulching the Clippings

Your machine comes from the factory ready to mulch the grass and leaf clippings back into the lawn.

If the grass bag is on the machine, remove it; refer to [Removing the Grass Bag \(page 13\)](#) before mulching the clippings. If the side-discharge chute is on the machine, remove it and lock the side-discharge door; refer to [Removing the Side-Discharge Chute \(page 14\)](#) before mulching the clippings.

Important: The machine has a safety switch that prevents you from starting the machine unless you first install the mulch plug securely on the machine (Figure 26).

Install the mulch plug as illustrated in Figure 26.

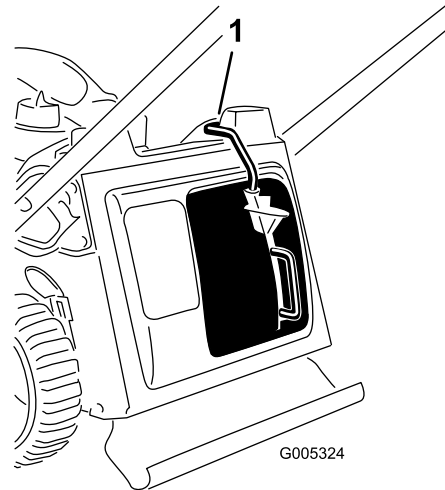


Figure 26

1. Top of mulch plug lever in switch channel

Bagging the Clippings

Use the grass bag when you want to collect grass and leaf clippings from the lawn.

⚠ WARNING

A worn grass bag could allow small stones and other similar debris to be thrown at you or bystanders, resulting in serious personal injury or death.

Check the grass bag frequently. If it is damaged, install a new Toro replacement bag.

If the side-discharge chute is on the machine, remove it and lock the side-discharge door; refer to [Removing the Side-Discharge Chute \(page 14\)](#) before bagging the clippings.

⚠ WARNING

The blade is sharp; contacting the blade can result in serious personal injury.

Stop the engine and wait for all moving parts to stop before leaving the operating position.

Installing the Grass Bag

1. Remove the mulch plug ([Figure 27](#)).

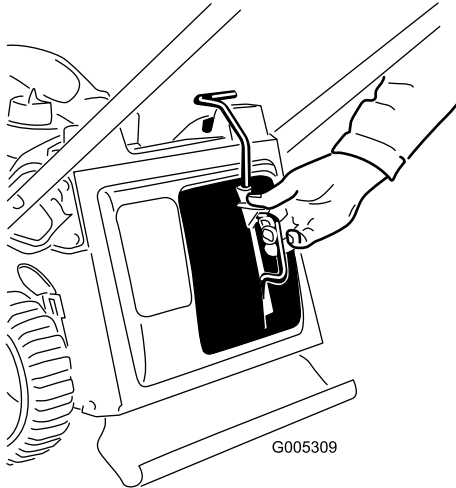


Figure 27

2. Route the starter rope around the lower-rope guide ([Figure 28](#)).

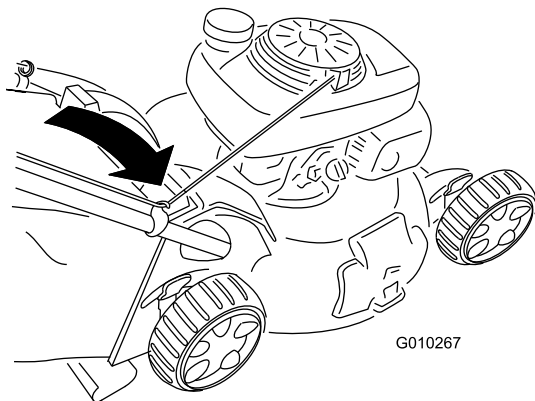


Figure 28

- Note:** The lower rope guide releases the starter rope when you pull the recoil-start handle.
3. Insert the grass-bag handle into the grooves at the top of the machine ([Figure 29](#)).

Important: The machine has a safety switch that prevents you from starting the machine unless you first install the grass bag securely on the machine.

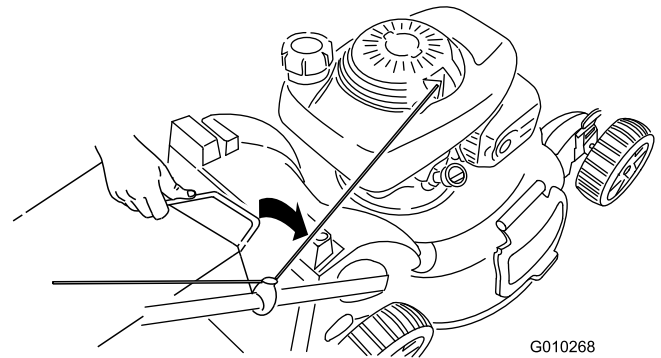


Figure 29

Removing the Grass Bag

1. Route the starter rope around the lower-rope guide ([Figure 30](#)).

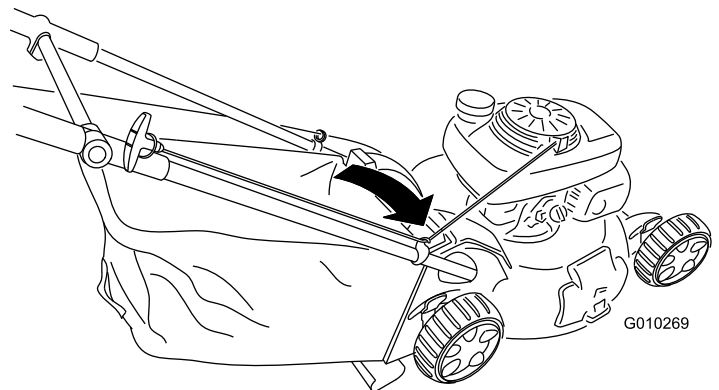


Figure 30

2. Lift the grass-bag handle out from the grooves at the top of the machine, and remove the bag from the machine ([Figure 31](#)).

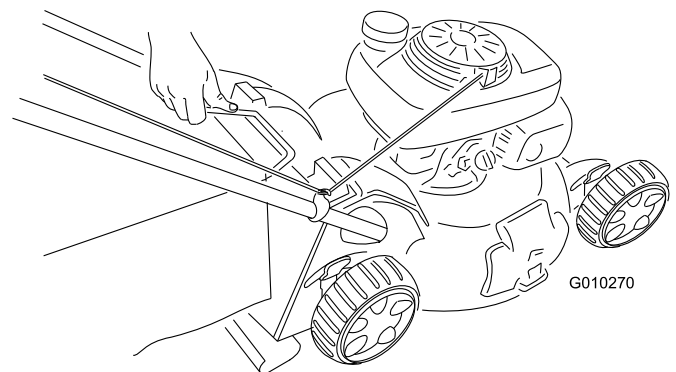


Figure 31

3. Insert the mulch plug ([Figure 32](#)).

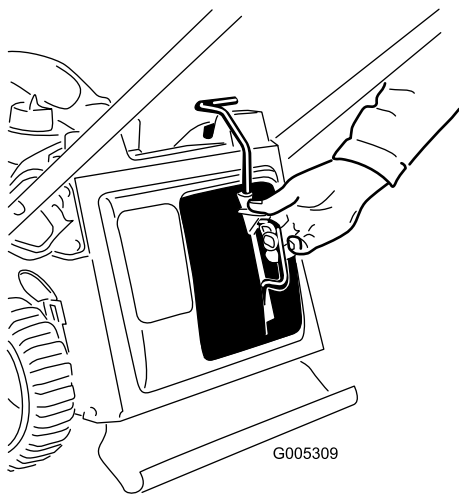


Figure 32

3. Install the side discharge chute and close the door onto the chute (Figure 35).

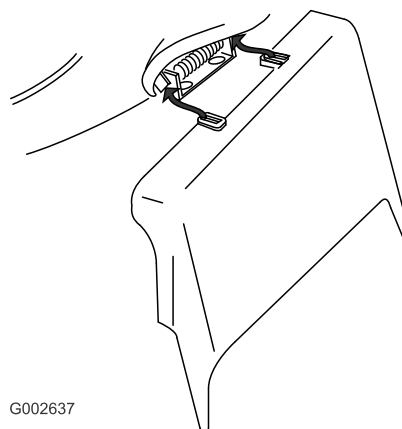


Figure 35

Side-Discharging the Clippings

Use the side discharge for cutting very tall grass.

If the grass bag is on the machine, remove it before side-discharging the clippings; refer to [Removing the Grass Bag](#) (page 13).

Important: The machine has a safety switch that prevents you from starting the machine unless you first install the mulch plug securely on the machine; refer to [Mulching the Clippings](#) (page 12).

Installing the Side-Discharge Chute

1. Unlock the side-discharge door (Figure 33).

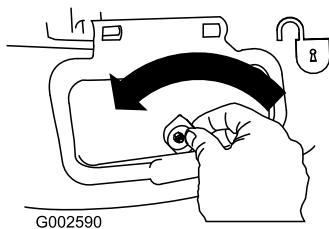


Figure 33

2. Lift open the side-discharge door (Figure 34).

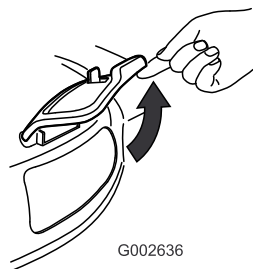


Figure 34

Removing the Side-Discharge Chute

To remove the side-discharge chute, reverse the steps above.

Important: Lock the side-discharge door after you close it (Figure 36).

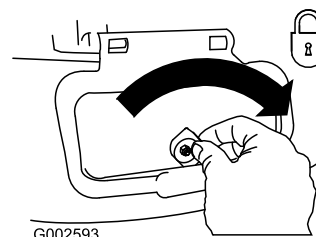


Figure 36

Operating Tips

Cutting Grass

⚠ WARNING

A bent, damaged, or loose blade can come off of the machine injuring you or bystanders.

- Clear the area of sticks, stones, wire, branches, and other debris that the blade could hit.
- Avoid striking solid objects with the blade. Never deliberately mow over any object.
- If the machine strikes an object or starts to vibrate, immediately stop the engine, disconnect the wire from the spark plug, and examine the machine for damage.
- Use care when inspecting/servicing the blade; it is sharp and could cut you.
- Keep the blade bolt tight and replace the blade every mowing season with a genuine Toro replacement blade.
- Cut only about a third of the grass blade at a time. Do not cut below the 51 mm (2 inch) setting unless the grass is sparse or it is late fall when grass growth begins to slow down. Refer to [Adjusting the Cutting Height \(page 10\)](#).
- When cutting grass over 15 cm (6 inches) tall, mow at the highest cutting height setting and walk slower; then mow again at a lower setting for the best lawn appearance. If the grass is too long, the machine may plug and cause the engine to stall.
- Mow only dry grass or leaves. Wet grass and leaves tend to clump on the yard and can cause the machine to plug or the engine to stall.

⚠ WARNING

Wet grass or leaves can cause serious injury if you slip and contact the blade. Mow only in dry conditions.

- Be aware of a potential fire hazard in very dry conditions, follow all local fire warnings, and keep the machine free of dry grass and leaf debris.
- Alternate the mowing direction. This helps disperse the clippings over the lawn for even fertilization.
- If the finished lawn appearance is unsatisfactory, try 1 or more of the following:
 - Replace the blade or have it sharpened.
 - Walk at a slower pace while mowing.
 - Raise the cutting height on your machine.

- Cut the grass more frequently.
- Overlap cutting swaths instead of cutting a full swath with each pass.
- Set the cutting height on the front wheels a notch lower than the rear wheels. For example, set the front wheels at 51 mm (2 inches) and the rear wheels at 64 mm (2-1/2 inches).

Cutting Leaves

- After cutting the lawn, ensure that half of the lawn shows through the cut leaf cover. You may need to make more than a single pass over the leaves.
- If there are more than 13 cm (5 inches) of leaves on the lawn, set the front cutting height 1 or 2 notches higher than the rear cutting height.
- Slow down your mowing speed if the machine does not cut the leaves finely enough.

Maintenance

Note: Determine the left and right sides of the machine from the normal operating position.

Recommended Maintenance Schedule(s)

Maintenance Service Interval	Maintenance Procedure
After the first 5 hours	<ul style="list-style-type: none"> Change the engine oil.
Before each use or daily	<ul style="list-style-type: none"> Check the engine-oil level. Ensure that the engine stops within 3 seconds after releasing the blade-control bar. Check the air cleaner for dirt and damage and clean or replace it if necessary.
After each use	<ul style="list-style-type: none"> Clean grass clippings and dirt from under the machine housing.
Before storage	<ul style="list-style-type: none"> Empty the fuel tank before repairs as directed and before annual storage.
Yearly	<ul style="list-style-type: none"> Clean or replace the air filter (more frequently in dusty operating conditions). Change the engine oil. Lubricate the upper handle. Replace the blade or have it sharpened (more frequently if the edge dulls quickly). Refer to your engine operator's manual for any additional yearly maintenance procedures.

Important: Refer to your engine owner's manual for additional maintenance procedures.

Preparing for Maintenance

- Stop the engine and wait for all moving parts to stop.
- Disconnect the spark-plug wire from the spark plug (Figure 37) before performing any maintenance procedure.

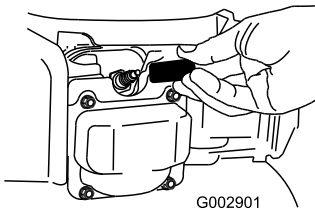


Figure 37

- After performing the maintenance procedure(s), connect the spark-plug wire to the spark plug.

Important: Before tipping the machine to change the oil or replace the blade, allow the fuel tank to run dry through normal use. If you must tip the machine prior to running out of fuel, use a hand fuel pump to remove the fuel. Always tip the machine onto its side with the dipstick down.

▲ WARNING

Tipping the machine may cause the fuel to leak. Gasoline is flammable and explosive and can cause personal injury.

Run the engine dry or remove the gasoline with a hand pump; never siphon.

Servicing the Air Filter

Service Interval: Before each use or daily

Yearly

- Press down on the latch tabs on top of the air-cleaner cover (Figure 38).

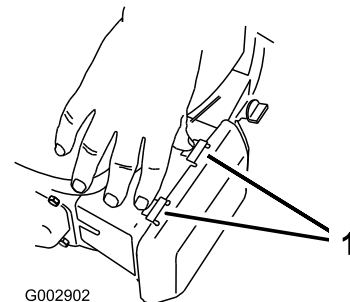
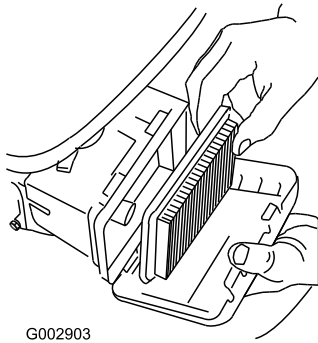


Figure 38

- Latch tabs
- Open the cover.
- Remove the air filter (Figure 39).



G002903

Figure 39

4. If the air filter is damaged or is wet with oil or fuel, replace it.
5. If the air filter is dirty, tap it on a hard surface several times or blow compressed air less than 207 kPa (30 psi) through the side of the filter that faces the engine.

Note: Do not brush the dirt off the filter; brushing forces dirt into the fibers.
6. Remove dirt from the air cleaner body and cover using a moist rag. **Do not wipe dirt into the air duct.**
7. Install the filter into the air cleaner.
8. Close the cover.

Changing the Engine Oil

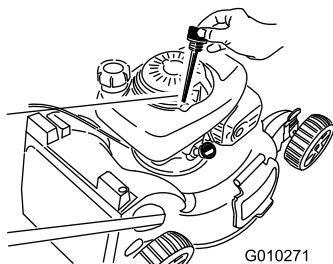
Service Interval: After the first 5 hours

Yearly

1. Move the machine to a level surface.
2. Ensure that the fuel tank contains little or no fuel so that fuel does not leak out when you tip the machine onto its side.
3. Run the engine a few minutes before changing the oil to warm it.

Note: Warm oil flows better and carries more contaminants.

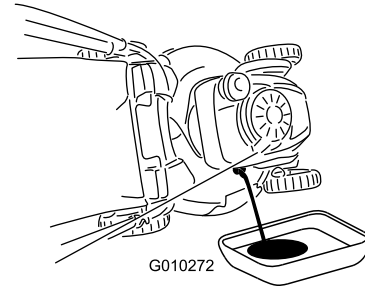
4. Disconnect the wire from the spark plug; refer to [Preparing for Maintenance \(page 16\)](#).
5. Place an oil drain pan beside the machine on the side nearest to the oil-fill tube.
6. Remove the dipstick from the oil-fill tube ([Figure 40](#)).



G010271

Figure 40

7. Tip the machine onto its side, with the oil-fill tube down, to drain the used oil through the oil-fill tube into the oil-drain pan ([Figure 41](#)).

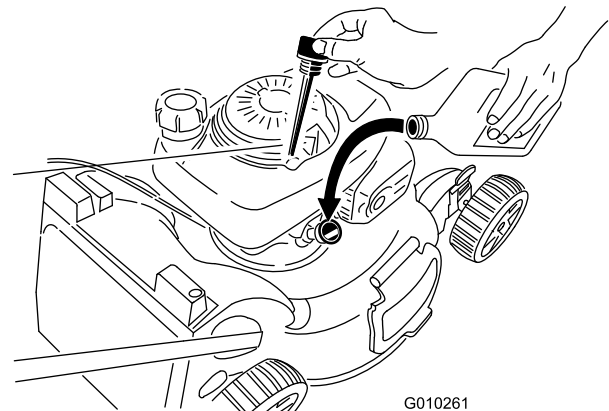
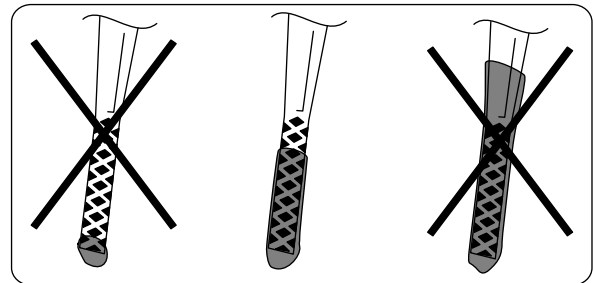


G010272

Figure 41

8. After draining the used oil, return the machine to the operating position.
9. Pour about 3/4 of the crankcase capacity of oil in the crankcase.

Note: Max fill: 0.55 L (18.6 oz), type: SAE 30 detergent oil with an API service classification of SF, SG, SH, SJ, SL, or higher.
10. Wipe the dipstick clean with a clean cloth.
11. Insert the dipstick into the oil-fill tube, **but do not screw it in.**
12. Remove the dipstick and read the oil level on the dipstick ([Figure 42](#)).



G010261

Figure 42

- If the oil level is too low, slowly pour a small amount of oil into the oil-fill tube, wait 3 minutes,

and then repeat steps 10 through 12 until the oil level is at the **Full** mark on the dipstick.

- If the oil level is too high, drain the excess oil until the oil level is correct as shown in [Figure 42](#).

Important: If the oil level in the crankcase is too low or too high and you run the engine, you may damage the engine.

13. Install the dipstick into the oil-fill tube securely.
14. Dispose of the used oil properly at a local recycling center.

Lubricating the Upper Handle

Service Interval: Yearly

Lubricate the left and right sides of the upper handle with a low-viscosity silicone spray lubricant.

1. Spray the outer plastic end of the inner handle ([Figure 43](#)).

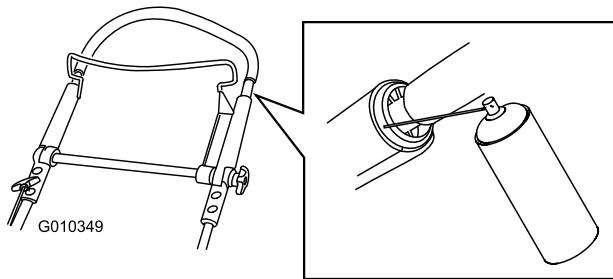


Figure 43

Note: Use the straw that comes with the spray can to direct the spray.

2. Push the upper handle fully down and spray the inner plastic surface of the outer handle ([Figure 44](#)).

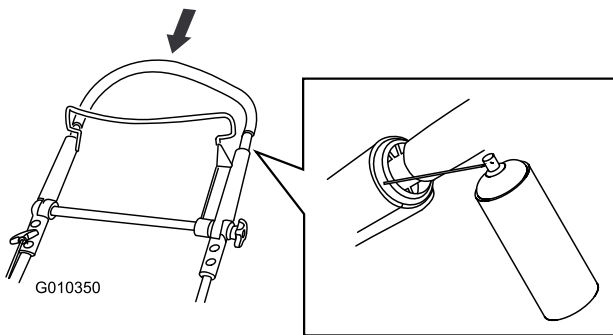


Figure 44

Adjusting the Self-Propel Drive

If your machine does not self-propel properly, adjust the self-propel-drive cable.

1. Loosen the nut on the cable mount ([Figure 45](#)).

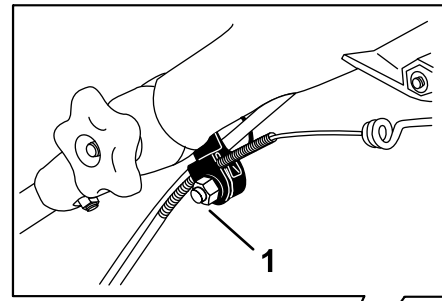


Figure 45

1. Cable mount

2. Pull the upper handle back fully rearward.

Note: If the handle does not move smoothly, refer to [Lubricating the Upper Handle](#) (page 18).

3. Pull the cable jacket downward until you remove the slack in the exposed cable ([Figure 46](#)).

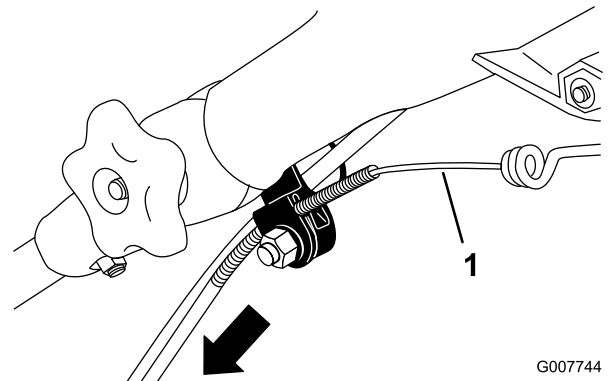


Figure 46

1. Exposed cable

4. Push the cable jacket upward 3 mm (1/8 inch).

Note: You can place a ruler against the upper side of the black cable mount and measure how far the upper end of the cable jacket moves ([Figure 47](#)).

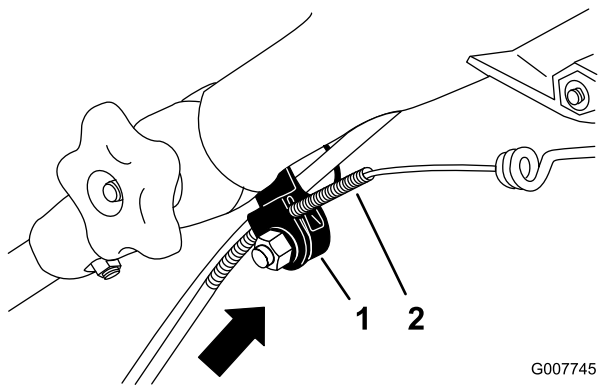


Figure 47

G007745

1. Cable mount
2. Cable jacket

Important: Moving the cable jacket upward decreases the ground speed; moving the jacket downward increases the ground speed.

5. Tighten the nut firmly.
6. Start the mower and check the adjustment.

Note: If the self-propel drive is not properly adjusted, repeat this procedure.

Replacing the Blade

Service Interval: Yearly

Important: You will need a torque wrench to install the blade properly. If you do not have a torque wrench or are uncomfortable performing this procedure, contact an Authorized Service Dealer.

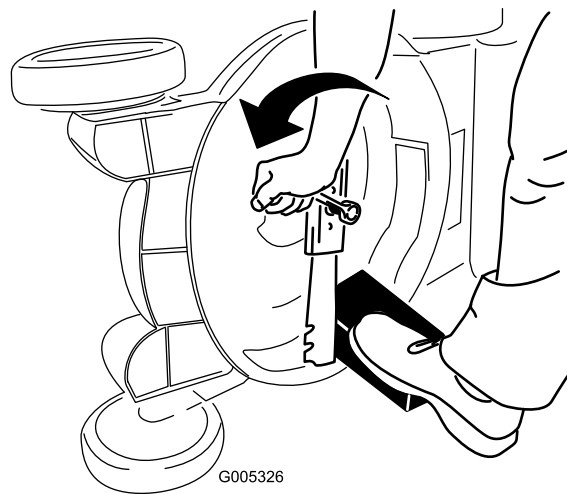
Examine the blade whenever you run out of gasoline. If the blade is damaged or cracked, replace it immediately. If the blade edge is dull or nicked, have it sharpened and balanced, or replace it.

⚠ WARNING

The blade is sharp; contacting the blade can result in serious personal injury.

Wear gloves when servicing the blade.

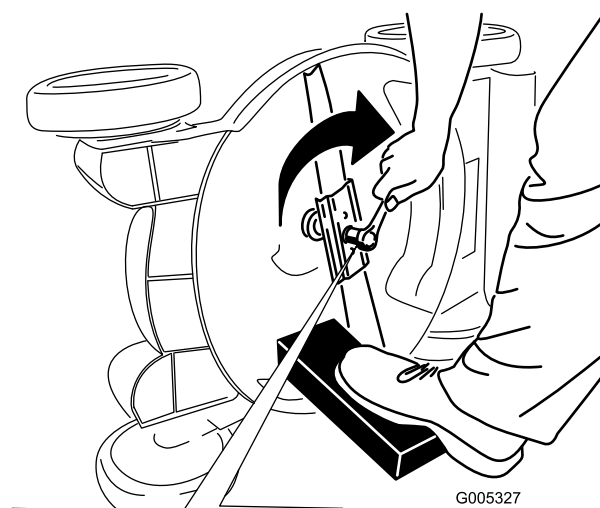
1. Disconnect the spark plug wire from the spark plug. Refer to [Preparing for Maintenance \(page 16\)](#).
2. Tip the machine onto its side, with the dipstick down.
3. Use a block of wood to hold the blade steady ([Figure 48](#)).



G005326

Figure 48

4. Remove the blade, saving all mounting hardware ([Figure 48](#)).
5. Install the new blade and all mounting hardware ([Figure 49](#)).



G005327

Figure 49

Important: Position the curved ends of the blade to point toward the machine housing.

6. Use a torque wrench to tighten the blade bolt to 60 ft-lb (82 N-m).

Important: A bolt torqued to 60 ft-lb (82 N-m) is very tight. While holding the blade with a block of wood, put your weight behind the ratchet or wrench and tighten the bolt securely. This bolt is very difficult to overtighten.

Cleaning under the Machine Housing

Service Interval: After each use

⚠ WARNING

The machine may dislodge material from under the machine housing.

- Wear eye protection.
- Stay in the operating position (behind the handle) when the engine is running.
- Do not allow bystanders in the area.

For best results, clean under the machine housing soon after you have completed mowing.

1. Lower the machine to its lowest cutting-height setting; refer to [Adjusting the Cutting Height](#) (page 10).
2. Move the machine onto a flat paved surface.
3. With the engine running and the blade engaged, spray a stream of water in front of the right rear wheel (Figure 49).



Figure 50

Note: The water will splash into the path of the blade, cleaning out the clippings.

4. When no more clippings come out, stop the water and move the machine to a dry area.
5. Run the engine with the blade engaged for a few minutes to dry the housing to prevent it from rusting.

Storage

Store the machine in a cool, clean, dry place.

Preparing the Machine for Storage

⚠ WARNING

Gasoline vapors can explode.

- Do not store gasoline more than 30 days.
- Do not store the machine in an enclosure near an open flame.
- Allow the engine to cool before storing it.

1. On the last refueling of the year, add fuel stabilizer to the fuel as directed by the engine manufacturer.
2. Dispose of any unused fuel properly. Recycle it according to local codes, or use it in your automobile.

Note: Old fuel in the fuel tank is the leading cause of hard starting. Do not store fuel without stabilizer more than 30 days, and do not store stabilized fuel more than 90 days.

3. Run the machine until the engine stops from running out of fuel.
4. Start the engine again.
5. Allow the engine to run until it stops. When you can no longer start the engine, it is sufficiently dry.
6. Disconnect the wire from the spark plug.
7. Remove the spark plug, add 30 ml (1 oz) of oil through the spark-plug hole, and pull the starter rope slowly several times to distribute oil throughout the cylinder to prevent cylinder corrosion during the off-season.
8. Loosely install the spark plug.
9. Tighten all nuts, bolts, and screws.

Folding the Handle

Upright Position

1. Step on the foot pedal and hold it down ([Figure 51](#)).

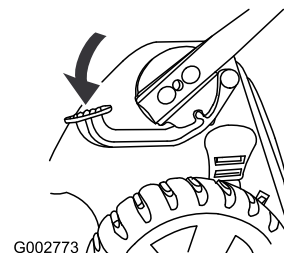


Figure 51

2. Move the handle to the upright position ([Figure 52](#)).

Remove the Machine from Storage

1. Check and tighten all fasteners.
2. Remove the spark plug and spin the engine rapidly by pulling the recoil-start handle to blow the excess oil from the cylinder.
3. Install the spark plug and tighten it with a torque wrench to 20 N-m (15 ft-lb).
4. Perform any maintenance procedures; refer to [Maintenance \(page 16\)](#).
5. Check the engine-oil level; refer to [Checking the Engine-Oil Level \(page 10\)](#).
6. Fill the fuel tank with fresh gasoline; refer to [Filling the Fuel Tank \(page 9\)](#).
7. Connect the wire to the spark plug.

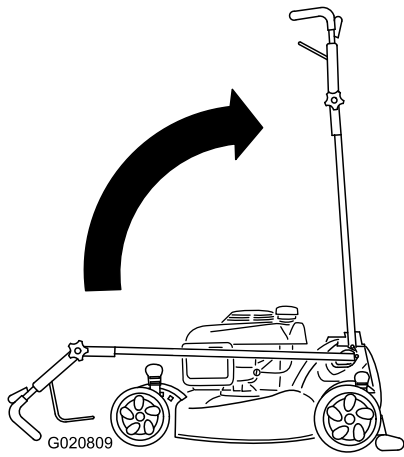


Figure 52

Forward Position

1. With the handle in the upright position, step on the foot pedal and hold it down.
2. Move the handle all the way forward and loosen the upper handle knob ([Figure 53](#)).

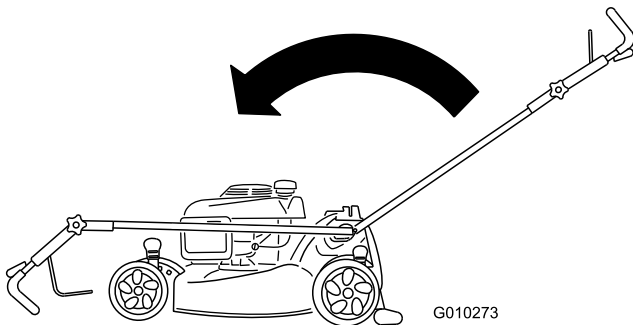


Figure 53

3. To unfold the handle, refer to [1 Unfolding the Handle \(page 5\)](#).

Notes:

International Distributor List

Distributor:	Country:	Phone Number:	Distributor:	Country:	Phone Number:
Agrolanc Kft	Hungary	36 27 539 640	Maquiver S.A.	Colombia	57 1 236 4079
Balama Prima Engineering Equip.	Hong Kong	852 2155 2163	Maruyama Mfg. Co. Inc.	Japan	81 3 3252 2285
B-Ray Corporation	Korea	82 32 551 2076	Mountfield a.s.	Czech Republic	420 255 704 220
Casco Sales Company	Puerto Rico	787 788 8383	Mountfield a.s.	Slovakia	420 255 704 220
Ceres S.A.	Costa Rica	506 239 1138	Munditol S.A.	Argentina	54 11 4 821 9999
CSSC Turf Equipment (pvt) Ltd.	Sri Lanka	94 11 2746100	Norma Garden	Russia	7 495 411 61 20
Cyril Johnston & Co.	Northern Ireland	44 2890 813 121	Oslinger Turf Equipment SA	Ecuador	593 4 239 6970
Cyril Johnston & Co.	Republic of Ireland	44 2890 813 121	Oy Hako Ground and Garden Ab	Finland	358 987 00733
Equiver	Mexico	52 55 539 95444	Parkland Products Ltd.	New Zealand	64 3 34 93760
Femco S.A.	Guatemala	502 442 3277	Perfetto	Poland	48 61 8 208 416
ForGarder OU	Estonia	372 384 6060	Pratoverde SRL.	Italy	39 049 9128 128
G.Y.K. Company Ltd.	Japan	81 726 325 861	Prochaska & Cie	Austria	43 1 278 5100
Geomechaniki of Athens	Greece	30 10 935 0054	RT Cohen 2004 Ltd.	Israel	972 986 17979
Golf international Turizm	Turkey	90 216 336 5993	Riversa	Spain	34 9 52 83 7500
Guandong Golden Star	China	86 20 876 51338	Lely Turfcare	Denmark	45 66 109 200
Hako Ground and Garden	Sweden	46 35 10 0000	Solvart S.A.S.	France	33 1 30 81 77 00
Hako Ground and Garden	Norway	47 22 90 7760	Spypros Stavrinides Limited	Cyprus	357 22 434131
Hayter Limited (U.K.)	United Kingdom	44 1279 723 444	Surge Systems India Limited	India	91 1 292299901
Hydroturf Int. Co Dubai	United Arab Emirates	97 14 347 9479	T-Markt Logistics Ltd.	Hungary	36 26 525 500
Hydroturf Egypt LLC	Egypt	202 519 4308	Toro Australia	Australia	61 3 9580 7355
Irrimac	Portugal	351 21 238 8260	Toro Europe NV	Belgium	32 14 562 960
Irrigation Products Int'l Pvt Ltd.	India	0091 44 2449 4387	Valtech	Morocco	212 5 3766 3636
Jean Heybroek b.v.	Netherlands	31 30 639 4611	Victus Emak	Poland	48 61 823 8369

European Privacy Notice

The Information Toro Collects

Toro Warranty Company (Toro) respects your privacy. In order to process your warranty claim and contact you in the event of a product recall, we ask you to share certain personal information with us, either directly or through your local Toro company or dealer.

The Toro warranty system is hosted on servers located within the United States where privacy law may not provide the same protection as applies in your country.

BY SHARING YOUR PERSONAL INFORMATION WITH US, YOU ARE CONSENTING TO THE PROCESSING OF YOUR PERSONAL INFORMATION AS DESCRIBED IN THIS PRIVACY NOTICE.

The Way Toro Uses Information

Toro may use your personal information to process warranty claims, to contact you in the event of a product recall and for any other purpose which we tell you about. Toro may share your information with Toro's affiliates, dealers or other business partners in connection with any of these activities. We will not sell your personal information to any other company. We reserve the right to disclose personal information in order to comply with applicable laws and with requests by the appropriate authorities, to operate our systems properly or for our own protection or that of other users.

Retention of your Personal Information

We will keep your personal information as long as we need it for the purposes for which it was originally collected or for other legitimate purposes (such as regulatory compliance), or as required by applicable law.

Toro's Commitment to Security of Your Personal Information

We take reasonable precautions in order to protect the security of your personal information. We also take steps to maintain the accuracy and current status of personal information.

Access and Correction of your Personal Information

If you would like to review or correct your personal information, please contact us by email at legal@toro.com.

Australian Consumer Law

Australian customers will find details relating to the Australian Consumer Law either inside the box or at your local Toro Dealer.



The Toro Warranty and The Toro GTS Starting Guarantee

Residential Products

Conditions and Products Covered

The Toro Company and its affiliate, Toro Warranty Company, pursuant to an agreement between them, jointly promise to repair for the original purchaser¹ the Toro Product listed below if defective in materials or workmanship or if the Toro GTS (Guaranteed to Start) engine will not start on the first or second pull, provided the routine maintenance required in the *Operator's Manual* have been performed.

The following time periods apply from the date of purchase:

Products	Warranty Period
Walk Power Mowers	
• Cast Deck	5 years Residential Use ² 90 Days Commercial Use
• Engine	5 years GTS Guarantee, Residential Use ³
• Battery	2 years
• Steel Deck	2 years Residential Use ² 30 Days Commercial Use
• Engine	2 years GTS Guarantee, Residential Use ³
TimeMaster Mowers	
• Engine	3 years Residential Use ² 90 Days Commercial Use
• Battery	3 years GTS Guarantee, Residential Use ³ 2 years
Electric Hand Held Products and Walk Power Mowers	2 years Residential Use ² No Warranty for Commercial Use
Snowthrowers	
• Single Stage	2 years Residential Use ² 45 Days Commercial Use
• Engine	2 years GTS Guarantee, Residential Use ³
• Two Stage	3 years Residential Use ² 45 Days Commercial Use
• Chute, chute deflector and impeller housing cover	Lifetime (original owner only) ⁵
Electric Snowthrowers	2 years Residential Use ² No Warranty for Commercial Use
All Ride-On Units Below	
• Engine	See engine manufacturer's warranty ⁴
• Battery	2 years Residential Use ²
• Attachments	2 years Residential Use ²
DH Lawn & Garden Tractors	2 years Residential Use ² 30 Days Commercial Use
XLS Lawn & Garden Tractors	3 years Residential Use ² 30 Days Commercial Use
TimeCutter	3 years Residential Use ² 30 Days Commercial Use
TITAN Mowers	
• Frame	3 years or 240 hours ⁵ Lifetime (original owner only) ⁶

¹Original Purchaser means the person who originally purchased the Toro Product.

²Residential use means use of the product on the same lot as your home. Use at more than one location is considered commercial use and the commercial use warranty would apply.

³The Toro GTS Starting Guarantee does not apply when the product is used commercially.

⁴Some engines used on Toro Products are warranted by the engine manufacturer.

⁵Whichever occurs first.

⁶Lifetime Frame Warranty - If the main frame, consisting of the parts welded together to form the tractor structure that other components such as the engine are secured to, cracks or breaks in normal use, it will be repaired or replaced, at Toro's option, under warranty at no cost for parts and labor. Frame failure due to misuse or abuse and failure or repair required due to rust or corrosion are not covered.

Warranty may be denied if the hour meter is disconnected, altered, or shows signs of being tampered with.

Owner Responsibilities

You must maintain your Toro Product by following the maintenance procedures described in the *Operator's Manual*. Such routine maintenance, whether performed by a dealer or by you, is at your expense.

Instructions for Obtaining Warranty Service

If you think that your Toro Product contains a defect in materials or workmanship, follow this procedure:

1. Contact your seller to arrange service of the product. If for any reason it is impossible for you to contact your seller, you may contact any Toro Authorized Distributor to arrange service. See attached Distributor List.
2. Bring the product and your proof of purchase (sales receipt) to the servicing outlet. If for any reason you are dissatisfied with the servicing outlet's analysis or with the assistance provided, contact us at:

Toro Customer Care Department, RLC Division
Toro Warranty Company
8111 Lyndale Avenue South
Bloomington, MN 55420-1196
001-952-948-4707

Items and Conditions Not Covered

There is no other express warranty except for special emission system coverage and engine warranty coverage on some products. This express warranty does not cover the following:

- Cost of regular maintenance service or parts, such as filters, fuel, lubricants, oil changes, spark plugs, air filters blade sharpening or worn blades, cable/linkage adjustments, or brake and clutch adjustments
- Components failing due to normal wear
- Any product or part which has been altered or misused or neglected and requires replacement or repair due to accidents or lack of proper maintenance
- Pickup and delivery charges
- Repairs or attempted repairs by anyone other than an Authorized Toro Service Dealer
- Repairs necessary due to failure to follow recommended fuel procedure (consult *Operator's Manual* for more details)
 - Removing contaminants from the fuel system is not covered
 - Use of old fuel (more than one month old) or fuel which contains more than 10% ethanol or more than 15% MTBE
 - Failure to drain the fuel system prior to any period of non-use over one month
- Repairs or adjustments to correct starting difficulties due to the following:
 - Failure to follow proper maintenance procedures or recommended fuel procedure
 - Rotary mower blade striking an object
- Special operational conditions where starting may require more than two pulls:
 - First time starts after extended period of non-use over three months or seasonal storage
 - Cool temperature starts such as those found in early spring and late autumn
 - Improper starting procedures - if you are having difficulty starting your unit, please check the *Operator's Manual* to ensure that you are using the correct starting procedures. This can save an unnecessary visit to an Authorized Toro Service Dealer.

General Conditions

The purchaser is covered by the national laws of each country. The rights to which the purchaser is entitled with the support of these laws are not restricted by this warranty.



Super Bagger-Rasenmäher (53 cm)

Modellnr. 20899—Seriennr. 315000001 und höher

Form No. 3392-413 Rev A

Bedienungsanleitung

Einführung

Dieser handgeführte Rasenmäher mit Sichelmessern sollte von Privatleuten oder geschulten Lohnarbeitern verwendet werden. Er ist hauptsächlich für das Mähen von Gras auf gepflegten Grünflächen in Privatanlagen gedacht. Er ist nicht für das Schneiden von Büschen oder für einen landwirtschaftlichen Einsatz gedacht.

Lesen Sie diese Informationen sorgfältig durch, um sich mit dem ordnungsgemäßen Einsatz und der Wartung des Geräts vertraut zu machen und Verletzungen und eine Beschädigung des Geräts zu vermeiden. Sie tragen die Verantwortung für einen ordnungsgemäßen und sicheren Einsatz des Geräts.

Sie können Toro direkt unter www.Toro.com hinsichtlich Produkt- und Zubehörinformationen, Standort eines Händlers oder Registrierung des Produkts kontaktieren.

Wenden Sie sich an den Toro Vertragshändler oder Kundendienst, wenn Sie eine Serviceleistung, Toro Originalersatzteile oder weitere Informationen benötigen. Haben Sie dafür die Modell- und Seriennummern der Maschine griffbereit. In Bild 1 wird der Standort der Modell- und Seriennummern auf dem Produkt angegeben.

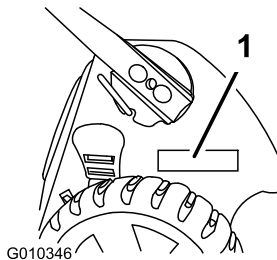


Bild 1

1. Typenschild mit Modell- und Seriennummern

Tragen Sie die Modell- und Seriennummern des Produkts unten ein:

Modellnr.	_____
Seriennr.	_____

In dieser Anleitung werden potenzielle Gefahren angeführt, und Sicherheitsmeldungen werden vom Sicherheitswarnsymbol (Bild 2) gekennzeichnet, das auf eine Gefahr hinweist, die zu schweren oder tödlichen Verletzungen führen kann, wenn Sie die empfohlenen Sicherheitsvorkehrungen nicht einhalten.



Bild 2

1. Sicherheitswarnsymbol

In dieser Anleitung werden zwei Begriffe zur Hervorhebung von Informationen verwendet. **Wichtig** weist auf spezielle mechanische Informationen hin, und **Hinweis** hebt allgemeine Informationen hervor, die Ihre besondere Beachtung verdienen.

Dieses Produkt entspricht allen relevanten europäischen Richtlinien. Weitere Angaben finden Sie in der produktspezifischen Konformitätsbescheinigung.

Nettodrehzahl: Die Brutto- oder Nettodrehzahl dieses Motors wurden vom Motorhersteller im Labor gemäß SAE J1940 ermittelt. Aufgrund der Konfiguration zur Erfüllung von Sicherheits-, Emissions- und Betriebsanforderungen ist die tatsächliche Motorleistung in dieser Klasse der Rasenmäher wesentlich niedriger. Unter www.Toro.com finden Sie die technischen Daten für Ihre Rasenmäher-Modell.

Modifizieren Sie nicht die Motorbedienelemente oder die Geschwindigkeit des Motorfliehkraftreglers, da dies zu unsicheren Einsatzbedingungen und Verletzungen führen kann.

Inhalt

Einführung	1
Sicherheit	2
Allgemeine Hinweise zur Sicherheit von Rasenmähern	2
Schalldruck	4
Schalleistung	4
Hand-/Arm vibration.....	5
Sicherheits- und Bedienungsschilder	5
Einrichtung	7
1 Aufklappen des Holms	7
2 Befestigen des Rücklaufstarterseils in der Seilführung	7
3 Auffüllen des Motors mit Öl.....	7
4 Einsetzen des Mulchverschlusses oder des Fangkorbs.....	8
5 Montieren des Fangkorbs.....	9
Produktübersicht	10
Technische Daten	10
Betrieb	11



Allgemeine Hinweise zur Sicherheit von Rasenmähern

Diese Maschine kann Hände und Füße amputieren und Gegenstände aufschleudern. Das Nichtbeachten der folgenden Sicherheitsvorschriften kann zu schweren Verletzungen oder zum Tod führen.

Schulung

- Lesen Sie diese Anweisungen gründlich durch. Machen Sie sich mit den Bedienelementen und dem korrekten Einsatz des Geräts vertraut.
- Lassen Sie den Rasenmäher nie von Kindern oder Personen bedienen, die mit diesen Anweisungen nicht vertraut sind. Das Alter des Fahrers kann durch lokale Vorschriften eingeschränkt sein.
- Bedenken Sie immer, dass der Bediener die Verantwortung für Unfälle oder Gefahren gegenüber anderen und ihrem Eigentum trägt.
- Verstehen Sie alle Erläuterungen der am Rasenmäher und in der Anleitung verwendeten Symbole.

Benzin

WARNUNG: Kraftstoff ist leicht entzündlich. Befolgen Sie die nachstehenden Sicherheitsvorkehrungen:

- Bewahren Sie Kraftstoff nur in zugelassenen Vorratskanistern auf.
- Betanken Sie nur im Freien, und rauchen Sie dabei nie.
- Betanken Sie die Maschine, bevor Sie den Motor anlassen. Entfernen Sie bei laufendem oder heißem Motor nie den Kraftstofftankdeckel oder betanken die Maschine.
- Versuchen Sie, wenn Benzin verschüttet wurde nie, den Motor zu starten, sondern schieben den Rasenmäher vom verschütteten Kraftstoff weg und vermeiden offene Flammen, bis die Verschüttung verdunstet ist.
- Schrauben Sie den Tank- und Benzinkanisterdeckel wieder fest auf.

Vorbereitung

- Tragen Sie beim Mähen immer rutschfeste Arbeitsschuhe und lange Hosen. Fahren Sie die Maschine nie barfußig oder mit Sandalen.
- Inspizieren Sie den Arbeitsbereich gründlich und entfernen Steine, Stöcke, Drähte, Knochen und andere Fremdkörper.
- Prüfen Sie vor der Inbetriebnahme visuell, ob alle Schutzvorrichtungen und Sicherheitsgeräte, wie z. B. Ablenkbleche und/oder Grasfangkörbe einwandfrei montiert sind und richtig funktionieren.
- Überprüfen Sie vor dem Einsatz immer, ob die Schnittmesser, -schrauben und das Mähwerk abgenutzt oder beschädigt sind. Tauschen Sie abgenutzte oder defekte Messer und -schrauben als komplette Sätze aus, um die Wucht der Messer beizubehalten.

Betanken.....	11
Prüfen des Motorölstands	12
Einstellen der Schnitthöhe.....	12
Einstellen der oberen Griffhöhe	13
Anlassen des Motors.....	13
Verwenden des Selbstantriebs	14
Abstellen des Motors	14
Mulchen des Schnittguts.....	14
Sammeln des Schnittguts	15
Seitenauswurf des Schnittguts	16
Betriebshinweise	17
Wartung	18
Empfohlener Wartungsplan	18
Vorbereiten für die Wartung.....	18
Warten des Luftfilters.....	18
Wechseln des Motoröls	19
Einschmieren des oberen Bügels	20
Einstellen des Selbstantriebs	21
Auswechseln des Messers	21
Reinigen der Unterseite des Maschinengehäuses	22
Einlagerung	23
Vorbereiten der Maschine für das Einlagern	23
Zusammenklappen des Griffs	23
Herausnehmen der Maschine aus der Einlagerung	24

Sicherheit

Diese Maschine erfüllt EN ISO 5395:2013.

Der unsachgemäße Einsatz oder die falsche Wartung dieses Rasenmähers kann zu Verletzungen führen. Befolgen Sie zur Reduzierung der Verletzungsgefahr diese Sicherheitsanweisungen.

Diese Maschine wurde von Toro für einen angemessenen und sicheren Betrieb ausgelegt. Das Nichtbeachten der folgenden Anweisungen kann jedoch zu Verletzungen führen.

Um die maximale Sicherheit, optimale Leistung und das nötige Wissen über die Maschine zu erhalten, müssen Sie und jeder andere Benutzer des Rasenmähers den Inhalt der vorliegenden Anleitung vor dem Anlassen des Motors sorgfältig lesen und verstehen. Besondere Beachtung ist dem Gefahrensymbol (Bild 2) zu schenken, welches Vorsicht, Warnung oder Gefahr – „Sicherheitshinweis“ bedeutet. Lesen und verstehen Sie die Anweisungen, da sie wichtig für die Sicherheit sind. Das Nichtbeachten der Anweisungen kann zu Körperverletzungen führen.

Anlassen

- Kippen Sie die Maschine nicht, wenn Sie den Motor anlassen, es sei denn, Sie müssen sie zum Anlassen kippen. Kippen Sie ihn in solchen Fällen nie weiter als absolut erforderlich und nur den Teil, der vom Benutzer weg steht.
- Starten Sie den Motor vorsichtig und entsprechend den Anweisungen, wobei Sie die Füße so weit wie möglich von den Messern fernhalten, d. h. stellen Sie sich nie vor den Auswurfkanal.

Betrieb

- Mähen Sie nie, wenn sich Personen, insbesondere Kinder oder Haustiere, in der Nähe aufhalten.
- Mähen Sie nur bei Tageslicht oder guter künstlicher Beleuchtung.
- Achten Sie auf Kuhlen und andere versteckte Gefahrenstellen im Gelände.
- Berühren Sie keine beweglichen Teile mit den Händen oder Füßen. Bleiben Sie immer von der Auswurföffnung fern.
- Heben oder tragen Sie den Rasenmäher nie bei laufendem Motor.
- Passen Sie beim Rückwärtsfahren auf, oder wenn Sie einen handgeführten Rasenmäher zu sich ziehen.
- Gehen Sie immer; laufen Sie nie.
- Hanglagen:
 - Versuchen Sie nicht, steile Hänge zu mähen.
 - Passen Sie an Hängen besonders auf.
 - Mähen Sie quer zu Hanglagen, d. h. nie hangauf- oder -abwärts, und gehen Sie Richtungswechsel an Hanglagen mit größter Vorsicht vor.
 - Achten Sie an Hanglagen immer darauf, dass Sie einen guten Halt haben.
- Reduzieren Sie an Hängen und bevor Sie scharf wenden Ihre Geschwindigkeit, um einem Umkippen und einem Kontrollverlust vorzubeugen.
- Stellen Sie das Messer ab, wenn Sie die Maschine kippen müssen, um Bereiche ohne Gras zu überqueren oder die Maschine von einem Mähbereich zu einem anderen zu transportieren.
- Lassen Sie den Motor nie in unbelüfteten Räumen laufen, da sich dort gefährliche Kohlenmonoxidgase und Abgase ansammeln können.
- Stellen Sie den Motor in den folgenden Situationen ab:
 - Wenn Sie die Maschine verlassen.
 - Vor dem Auftanken.
 - Vor dem Entfernen des Fangkorbs.
 - Vor dem Verstellen der Schnitthöhe. Es sei denn, die Einstellung lässt sich von der Bedienerposition aus bewerkstelligen.

- Stellen Sie den Motor ab und ziehen Sie den Zündkerzenstecker ab:
 - Vor dem Entfernen von Behinderungen und Verstopfungen aus dem Auswurfkanal.
 - Bevor Sie die Maschine untersuchen, reinigen oder warten.
 - Wenn Sie auf einen Festkörper aufgeprallt sind und prüfen den Rasenmäher auf eventuelle Defekte; führen Sie dann die erforderlichen Reparaturen durch, bevor Sie den Rasenmäher starten und in Betrieb nehmen.
 - Bei ungewöhnlichen Vibrationen der Maschine (sofort überprüfen).
- Blitzschlag kann zu schweren oder tödlichen Verletzungen führen. Setzen Sie die Maschine nicht ein, wenn Sie Blitze sehen oder Donner hören, und gehen Sie an eine geschützte Stelle.
- Achten Sie beim Überqueren und in der Nähe von Straßen auf den Verkehr.

Wartung und Lagerung

- Halten Sie alle Muttern und Schrauben fest angezogen, damit das Gerät in einem sicheren Betriebszustand bleibt.
- Verwenden Sie keinen Hochdruckreiniger an der Maschine.
- Bewahren Sie den Rasenmäher nie mit Benzin im Tank oder innerhalb eines Gebäudes auf, wo Dämpfe eine offene Flamme oder Funken erreichen könnten.
- Lassen Sie den Motor abkühlen, bevor Sie die Maschine in einem geschlossenen Raum abstellen.
- Halten Sie, um das Brandrisiko zu verringern, den Motor, Schalldämpfer, das Batteriefach und den Benzintank von Gras, Laub und überflüssigem Fett frei.
- Prüfen Sie die Bestandteile des Fangkorbs und des Auswurfschutzbleches häufig, und wechseln Sie sie ggf. mit den vom Hersteller empfohlenen Teilen aus.
- Tauschen Sie abgenutzte und beschädigte Teile aus Sicherheitsgründen aus.
- Wechseln Sie defekte Auspuffe aus.
- Wenn Sie den Kraftstoff aus dem Tank ablassen müssen, sollte dies im Freien geschehen.
- Verändern Sie nie die Einstellung des Motorfliehkraftreglers, und überdrehen Sie niemals den Motor. Durch das Überdrehen des Motors steigt die Verletzungsgefahr.
- Passen Sie beim Einstellen der Maschine auf, um ein Einklemmen der Finger zwischen den beweglichen Messern und starren Teilen der Maschine zu vermeiden.
- **Für eine optimale Leistung und Sicherheit sollten Sie nur Toro Originalersatzteile und -zubehör kaufen. Verwenden Sie nie Universal-Teile und -Zubehör; diese sind u. U. gefährlich.**

Befördern

- Lassen Sie beim Beladen oder Entladen der Maschine in oder aus einem Anhänger oder Lastwagen Vorsicht walten.
- Verwenden Sie für das Verladen der Maschine auf einen Anhänger oder Pritschenwagen Rampen, die über die ganze Breite gehen.
- Befestigen Sie die Maschine sicher mit Riemen, Ketten, Kabeln oder Seilen. Die vorne und hinten befestigten Riemen sollten nach unten und von der Maschine weg gerichtet sein.

Schalldruck

Dieses Gerät erzeugt einen Schalldruckpegel, der am Ohr des Benutzers 89 dBA beträgt (inkl. eines Unsicherheitswerts (K) von 1 dBA).

Der Schalldruckpegel wurde gemäß den Vorgaben in EN ISO 5395:2013 gemessen.

Schalleistung

Dieses Gerät erzeugt einen Schalldruckpegel von 98 dBA (inkl. eines Unsicherheitswerts (K) von 1 dBA).

Der Schalldruckpegel wurde gemäß den Vorgaben in ISO 11094 gemessen.

▲ ACHTUNG

Der längere Einsatz einer lauten Maschine kann Gehörschäden verursachen.

Tragen Sie entsprechenden Gehörschutz, wenn Sie die Maschine längere Zeit verwenden.

Hand-/Armvibration

Das gemessene Vibrationsniveau für die rechte Hand beträgt $3,8 \text{ m/s}^2$

Das gemessene Vibrationsniveau für die linke Hand beträgt $4,1 \text{ m/s}^2$

Der Unsicherheitswert (K) beträgt $2,1 \text{ m/s}^2$

Die Werte wurden nach den Vorgaben von EN ISO 5395:2013 gemessen.

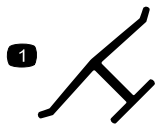
⚠ ACHTUNG

Der längere Einsatz einer stark vibrierenden Maschine kann zu Taubheit in den Händen und Handgelenken führen.

Tragen Sie Handschuhe, die Vibrationen abschwächen, wenn Sie die Maschine längere Zeit verwenden.

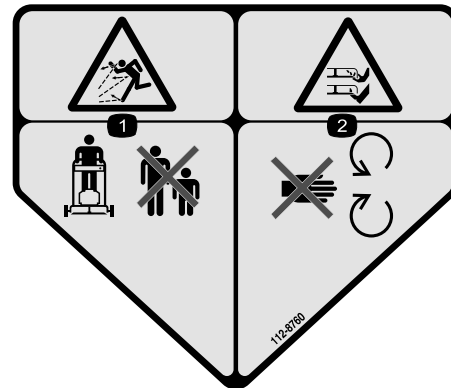
Sicherheits- und Bedienungsschilder

Wichtig: Sicherheits- und Anweisungsaufkleber sind in der Nähe potenzieller Gefahrenbereiche angebracht. Tauschen Sie beschädigte Schilder aus.



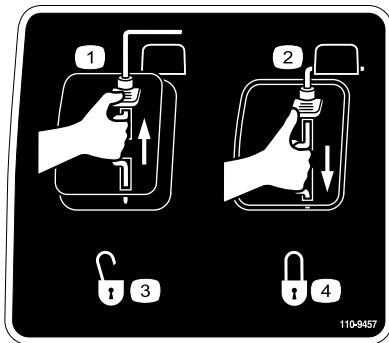
Herstellermarke

1. Gibt an, dass das Messer Teil der Originalmaschine des Herstellers ist.



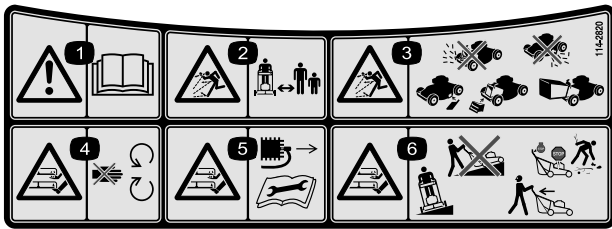
112-8760

1. Gefahr durch herausschleuderte Objekte: Achten Sie darauf, dass Unbeteiligte den Sicherheitsabstand zum Gerät einhalten.
2. Gefahr einer Schnittwunde und/oder der Amputation von Händen oder Füßen: Berühren Sie keine beweglichen Teile.



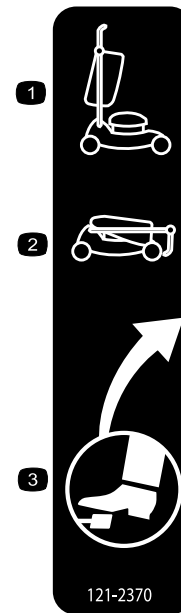
110-9457

1. Motorschalter: Aus
2. Motorschalter: Ein
3. Entriegelt
4. Verriegelt



114-2820

1. Warnung: Lesen Sie die *Bedienungsanleitung*.
2. Gefahr durch herausgeschleuderte Objekte: Achten Sie darauf, dass Unbeteiligte den Sicherheitsabstand zum Gerät einhalten.
3. Gefahr durch herausgeschleuderte Gegenstände: Setzen Sie den Rasenmäher nicht ohne die Heckauswurfklappe oder Fangkorb ein. Setzen Sie den Rasenmäher nicht ohne Seitenauswurfabdeckung oder Ablenkblech ein.
4. Gefahr einer Schnittwunde und/oder der Amputation von Händen oder Füßen durch Mähwerkmesser: Halten Sie sich von beweglichen Teilen fern.
5. Schnitt- bzw. Amputationsgefahr an Händen und Füßen beim Schnittmesser: Ziehen Sie den Zündschlüssel ab und lesen Sie die Anweisungen, bevor Sie Wartungs- oder Reparaturarbeiten ausführen.
6. Schnitt- bzw. Amputationsgefahr von Händen oder Füßen durch Mähwerkmesser: Mähen Sie nie hangaufwärts oder -abwärts, mähen Sie immer waagrecht zum Hang. Stellen Sie den Motor ab, bevor Sie die Bedienungsposition verlassen. Schauen Sie nach hinten, wenn Sie rückwärts fahren.



121-2370

121-2370

1. Aufgeklappter Bügel
2. Zusammengeklappter Bügel
3. Fußpedal

Einrichtung

Wichtig: Nehmen Sie den Plastikschutz ab, mit dem der Motor abgedeckt ist. Werfen Sie ihn ab.

1

Aufklappen des Holms

Keine Teile werden benötigt

Verfahren

1. Schieben Sie den Griff nach hinten und halten Sie den oberen Griff fest (Bild 3).

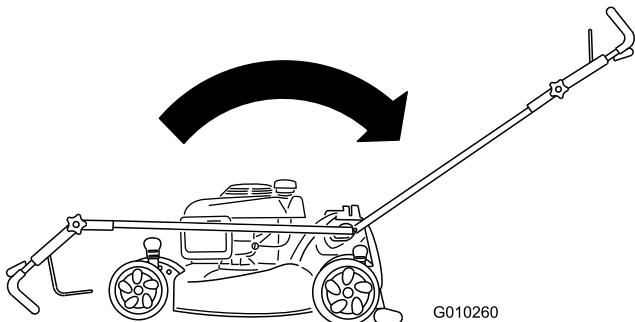


Bild 3

Hinweis: Der Griff rastet ein.

2. Ziehen Sie das obere Griffhandrad so fest wie es geht (Bild 4).

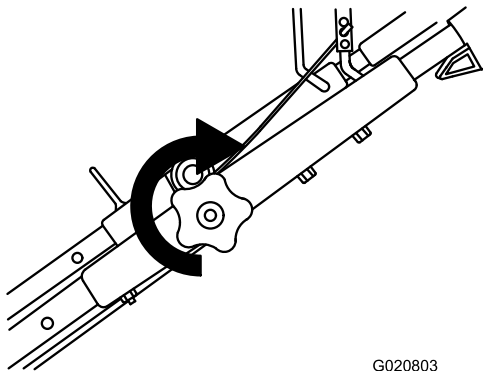


Bild 4

2

Befestigen des Rücklaufstarterseils in der Seilführung

Keine Teile werden benötigt

Verfahren

Wichtig: Befestigen Sie das Rücklaufstarterseil in der Seilführung, um den Motor sicher und mühelos anzulassen.

Ziehen Sie das Starterseil durch die Seilführung am Bügel (Bild 5).

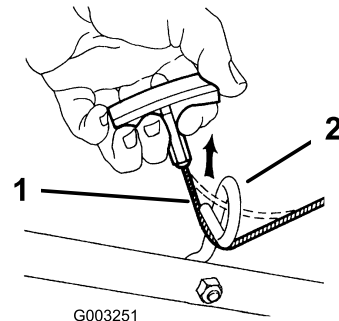


Bild 5

1. Rücklaufstarterseil
2. Seilführung

3

Auffüllen des Motors mit Öl

Keine Teile werden benötigt

Verfahren

Wichtig: Die Maschine hat bei der Auslieferung kein Öl im Motor. Füllen Sie das Motorkurbelgehäuse vor dem Anlassen mit Öl.

1. Stellen Sie die Maschine auf einer ebenen Fläche ab.
2. Entfernen Sie den Peilstab (Bild 6) und füllen Sie Öl in den Einfüllstutzen bis ca. 3/4 des Füllvolumens des Kurbelgehäuses ein.

Hinweis: Max. Füllstand: 0,55 l, Sorte: Waschaktives SAE 30-Öl mit der Klassifizierung SF, SG, SH, SJ, SL oder höher durch das American Petroleum Institute (API).

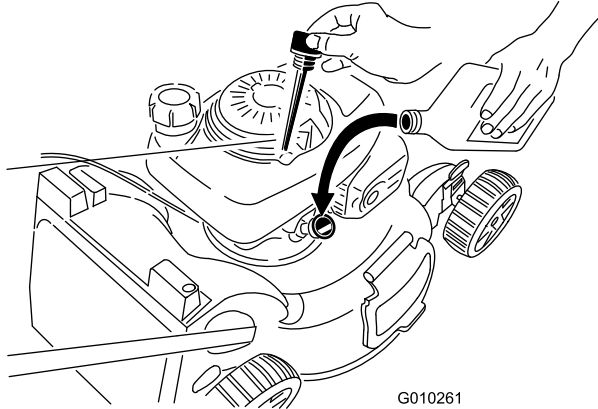
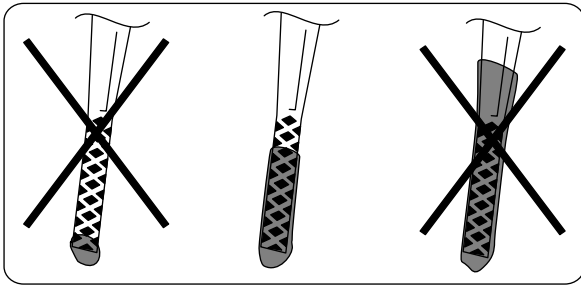


Bild 6

3. Wischen Sie den Peilstab mit einem sauberen Lappen ab.
4. Stecken Sie den Peilstab in den Einfüllstutzen, **schrauben Sie ihn jedoch nicht ein.**
5. Nehmen Sie den Peilstab heraus und lesen Sie den Ölstand am Peilstab ab, siehe **Bild 6**.
 - Füllen Sie bei einem zu niedrigen Ölstand langsam etwas Öl in den Öleinfüllstutzen, warten Sie drei Minuten und wiederholen Sie dann die Schritte **3 bis 5**, bis der Ölstand richtig ist, wie in **Bild 16** dargestellt.
 - Wenn der Ölstand zu hoch ist, lassen Sie Öl ab, bis der Ölstand richtig ist, wie in **Bild 16** dargestellt. Weitere Informationen zum Ablassen des Öls finden Sie unter **Wechseln des Motoröls (Seite 19)**.

Wichtig: Wenn der Ölstand im Kurbelgehäuse zu hoch oder zu niedrig ist, und Sie den Motor laufen lassen, können Motorschäden auftreten.

6. Stecken Sie den Peilstab fest in den Einfüllstutzen.

Wichtig: Wechseln Sie das Motoröl nach den ersten fünf Betriebsstunden und danach jährlich. Siehe **Wechseln des Motoröls (Seite 19)**.

4

Einsetzen des Mulchverschlusses oder des Fangkorbs

Keine Teile werden benötigt

Verfahren

Sie müssen den Mulchverschluss (für das Recyclen oder Seitenauswurf des Schnittguts) oder den Fangkorb richtig einsetzen, sonst **kann der Motor nicht angelassen werden**.

Die Maschine hat einen Sicherheitsschalter, der sich unten am einem Kanal rechts oben an der Maschine befindet, der einen Einsatz der Maschine ohne Mulchverschluss oder Fangkorb verhindert. Dies verhindert, dass die Maschine durch die hintere Öffnung Fremdkörper in Richtung des Bedieners auswirft.

Der Schalter erkennt den Mulchverschluss nur, wenn die Oberseite des Mulchverschlusshebels **ganz unten im Kanal liegt (Bild 7)**.

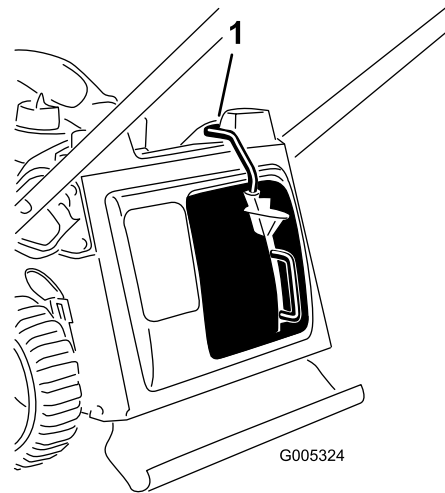


Bild 7

1. Oberseite des Mulchverschlusshebels im Schalterkanal

1. Setzen Sie den Mulchverschluss in die Maschine ein, wenn er nicht schon eingesetzt ist (**Bild 8**).

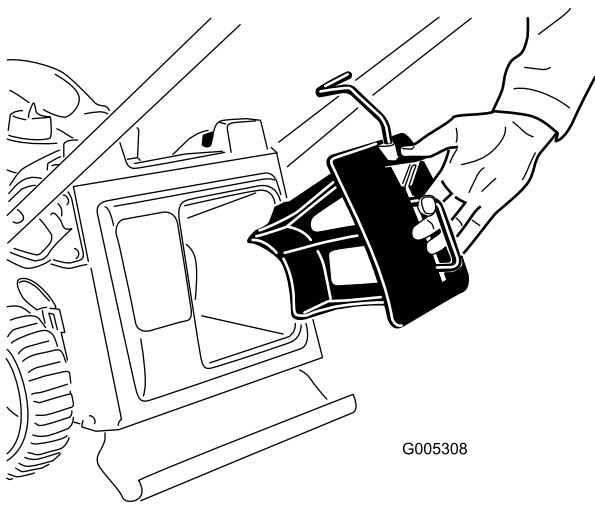


Bild 8

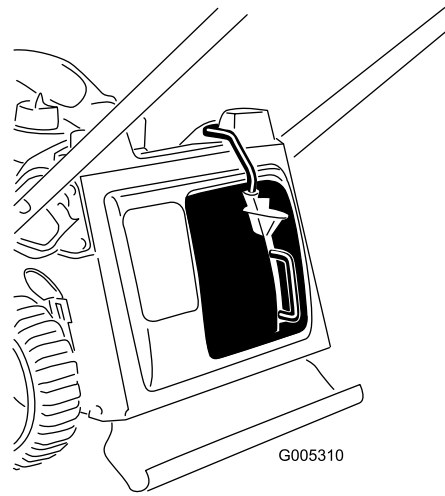


Bild 10

2. Drücken Sie die Taste am Hebel mit dem Daumen und setzen Sie den Mulchverschluss ganz in die Öffnung ein (Bild 9).

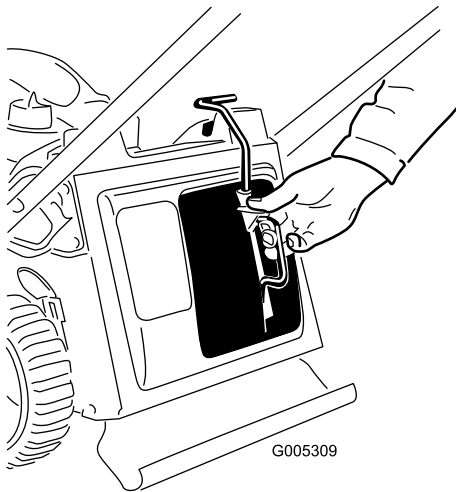


Bild 9

3. Lassen Sie die Taste am Hebel los und stellen Sie sicher, dass die Oberseite des Hebels ganz im Schalterkanal liegt (Bild 10). Wenn die Hebeloberseite nicht im Schalterkanal liegt, springt das Mähwerk nicht an!

Hinweis: Wenn der Hebel nicht richtig einrastet, ziehen Sie das Zündkabel von der Zündkerze ab und entfernen Sie ggf. Ablagerungen im Tunnel.

5

Montieren des Fangkorbs

Keine Teile werden benötigt

Verfahren

1. Schieben Sie den Fangkorb auf den Rahmen, wie in Bild 11 abgebildet.

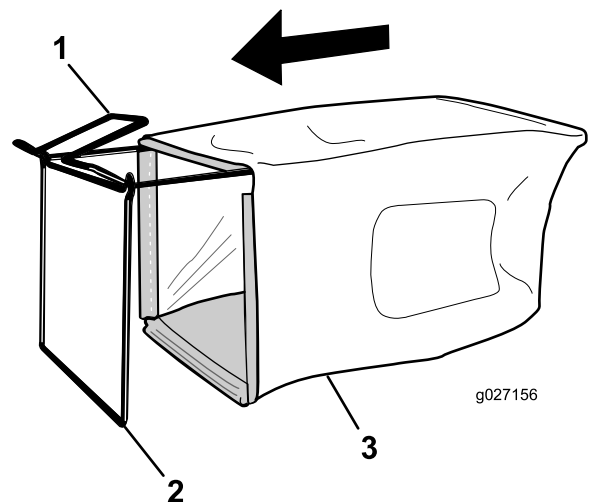


Bild 11

- | | |
|-----------|-------------|
| 1. Holm | 3. Fangkorb |
| 2. Rahmen | |

Hinweis: Schieben Sie den Grasfangkorb nicht über den Holm (Bild 11).

2. Haken Sie den unteren Kanal des Grasfangkorbs an der Unterseite des Rahmens ein (Bild 12).

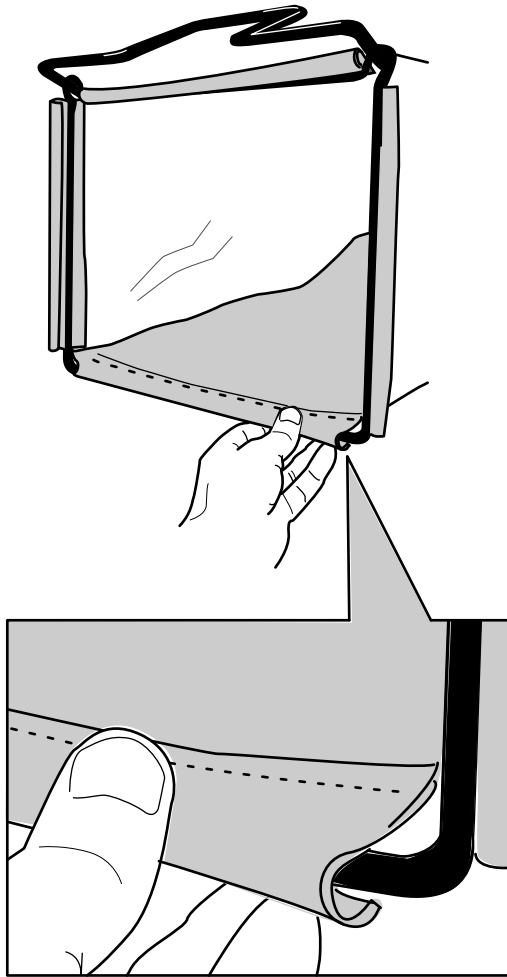
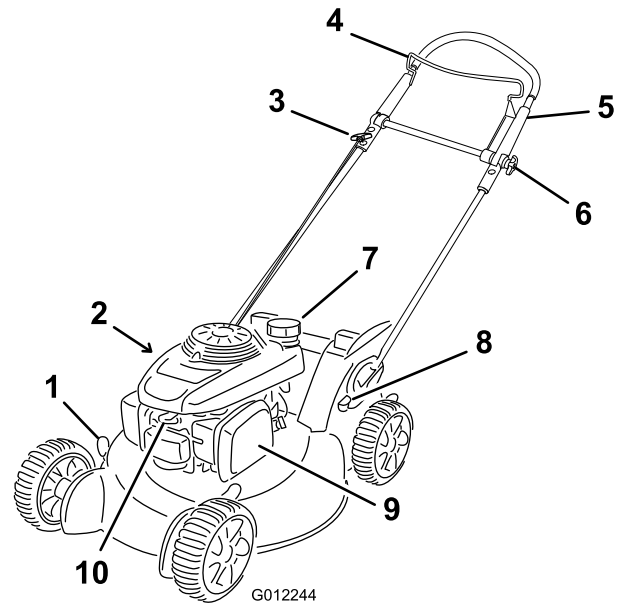


Bild 12

g027157

3. Haken Sie die oberen und seitlichen Kanäle des Grasfangkorbs an der Oberseite und der Seite des Rahmens ein (Bild 12).

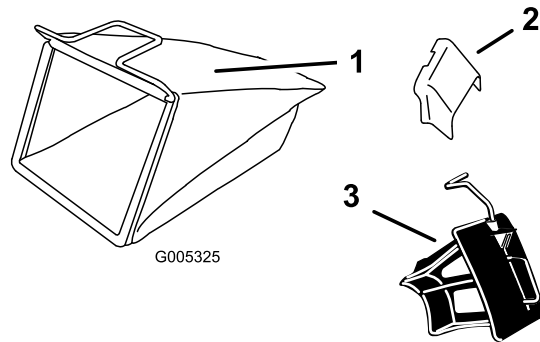
Produktübersicht



G012244

Bild 13

- | | |
|---------------------------------|----------------------------|
| 1. Schnitthöheneinstellhebel | 6. Oberes Bügelhandrad (4) |
| 2. Ölmesstab (nicht abgebildet) | 7. Tankdeckel |
| 3. Rücklaufstarterbügel | 8. Pedal |
| 4. Schaltbügel | 9. Luftfilter |
| 5. Oberer Bügel | 10. Zündkerze |



G005325

Bild 14

- | | |
|-----------------------|---|
| 1. Fangkorb | 3. Mulchverschluss (bereits an der Maschine angebracht) |
| 2. Seitenauswurfkanal | |

Technische Daten

Modell	Gewicht	Länge	Breite	Höhe
20897	36 kg	159 cm	56 cm	110 cm

Betrieb

Betanken

Empfohlener Kraftstoff:

- Die besten Ergebnisse erhalten Sie, wenn Sie sauberes, frisches (höchstens 30 Tage alt), bleifreies Benzin mit einer Mindestoktanzahl von 87 (R+M)/2 verwenden.
- **Ethanol:** Kraftstoff, der mit 10 % Ethanol oder 15 % MTBE (Volumenanteil) angereichert ist, ist auch geeignet. Ethanol und MTBE sind nicht identisch. Benzin mit 15 % Ethanol (E15) (Volumenanteil) kann nicht verwendet werden. **Verwenden Sie nie Benzin, das mehr als 10 % Ethanol (Volumenanteil) enthält**, z. B. E15 (enthält 15 % Ethanol), E20 (enthält 20 % Ethanol) oder E85 (enthält 85 % Ethanol). Die Verwendung von nicht zugelassenem Benzin kann zu Leistungsproblemen und/oder Motorschäden führen, die ggf. nicht von der Garantie abgedeckt sind.
- Verwenden Sie **kein** Benzin mit Methanol.
- Lagern Sie **keinen** Kraftstoff im Kraftstofftank oder in Kraftstoffbehältern über den Winter, wenn Sie keinen Kraftstoffstabilisator verwenden.
- Vermischen Sie **nie** Benzin mit Öl.

Wichtig: Fügen Sie zur Vermeidung von Anlassproblemen beim Kraftstoff in jeder Saison Kraftstoffstabilisator zu. Mischen Sie den Stabilisator mit Benzin, das nicht älter als 30 Tage ist. Lassen Sie die Maschine so lange laufen, bis der Kraftstoff aufgebraucht ist, wenn Sie sie länger als 30 Tage einlagern.

Verwenden Sie, abgesehen von Kraftstoffstabilisator, keine weiteren Kraftstoffzusätze. Verwenden Sie keine Kraftstoffstabilisatoren auf Alkoholbasis wie Ethanol, Methanol oder Isopropanol.

⚠ GEFAHR

Benzin ist brennbar und explodiert schnell. Feuer und Explosionen durch Benzin können Verbrennungen bei Ihnen und anderen Personen verursachen.

- Stellen Sie den Kanister bzw. die Maschine vor dem Auftanken auf den Boden und nicht auf ein Fahrzeug oder auf ein Objekt, um eine elektrische Ladung durch das Entzünden des Benzins zu vermeiden.
- Füllen Sie den Tank außen, wenn der Motor kalt ist. Wischen Sie verschütteten Kraftstoff auf.
- Rauchen Sie nicht beim Umgang mit Benzin, und gehen Sie nicht in der Nähe von offenem Feuer oder Funken mit Benzin um.
- Bewahren Sie Benzin nur in zugelassenen Benzinkanistern und an einem für Kinder unzugänglichen Ort auf.
- Kippen Sie die Maschine nicht auf die Seite, wenn Kraftstofftank im Tank ist.

1. Reinigen Sie den Bereich um den Tankdeckel und nehmen den Deckel ab (Bild 15).

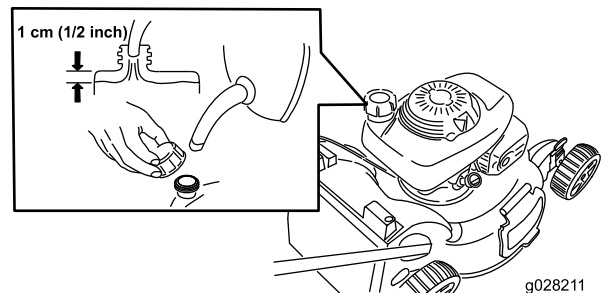


Bild 15

2. Füllen Sie den Kraftstofftank; lassen Sie mindestens einen Leerraum von 1 cm bis zur Unterkante des Einfüllstutzens, damit sich das Benzin ausdehnen kann.
3. Setzen Sie den Tankdeckel auf und ziehen ihn mit der Hand fest.

Prüfen des Motorölstands

Wartungsintervall: Bei jeder Verwendung oder täglich

Hinweis: Max. Füllstand: 0,55 l, Sorte: Waschaktives SAE 30-Öl mit der Klassifizierung SF, SG, SH, SJ, SL oder höher durch das American Petroleum Institute (API).

1. Stellen Sie die Maschine auf einer ebenen Fläche ab.
2. Ziehen Sie den Peilstab (Bild 16) heraus.

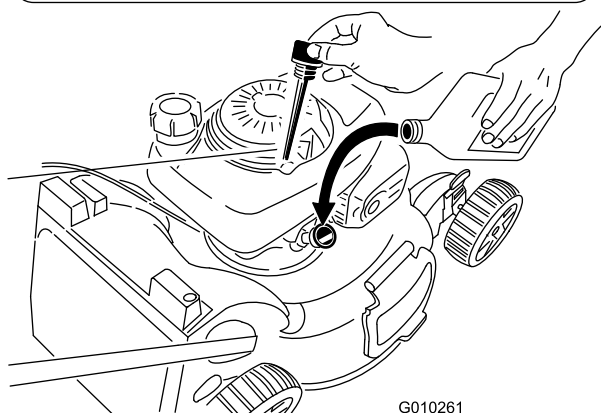
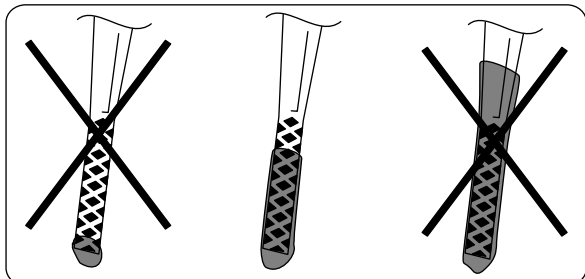


Bild 16

3. Wischen Sie den Peilstab mit einem sauberen Lappen ab.
4. Stecken Sie den Peilstab in den Einfüllstutzen, **schrauben Sie ihn jedoch nicht ein.**
5. Nehmen Sie den Peilstab heraus und lesen Sie den Ölstand am Peilstab ab, siehe Bild 16.
 - Füllen Sie bei einem zu niedrigen Ölstand langsam etwas Öl in den Öleinfüllstutzen, warten Sie drei Minuten und wiederholen Sie dann die Schritte 3 bis 5, bis der Ölstand richtig ist, wie in Bild 6 dargestellt.
 - Wenn der Ölstand zu hoch ist, lassen Sie Öl ab, bis der Ölstand richtig ist, wie in Bild 6 dargestellt. Weitere Informationen zum Ablassen des Öls finden Sie unter [Wechseln des Motoröls \(Seite 19\)](#).

Wichtig: Wenn der Ölstand im Kurbelgehäuse zu hoch oder zu niedrig ist, und Sie den Motor laufen lassen, können Motorschäden auftreten.

6. Stecken Sie den Peilstab fest in den Einfüllstutzen.

Einstellen der Schnitthöhe

⚠️ WARNUNG:

Wenn Sie die Schnitthöhe einstellen, können Sie mit dem Messer in Kontakt kommen und schwere Verletzungen erleiden.

- Stellen Sie den Motor ab und warten Sie, bis alle beweglichen Teile zum Stillstand gekommen sind.
- Berühren Sie nie den heißen Auspuff.
- Führen Sie Ihre Finger beim Einstellen der Schnitthöhe nie unter das Mähwerk.

Stellen Sie die Schnitthöhe ein. Stellen Sie die Vorderräder auf dieselbe Höhe wie die Hinterräder ein (Bild 17).

Hinweis: Wenn Sie die Maschine anheben möchten, schieben Sie alle Einstellhebel für die Schnitthöhe nach vorne. Schieben Sie die Hebel nach hinten, um die Maschine abzusenken.

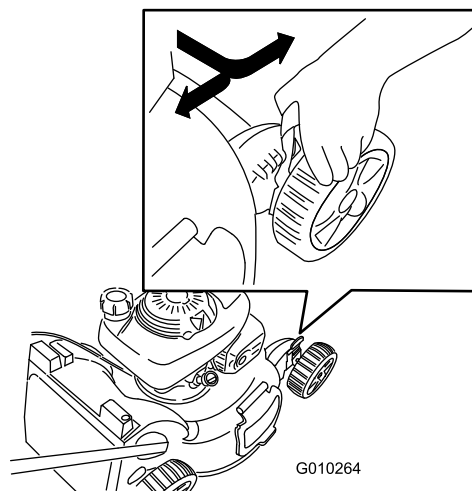


Bild 17

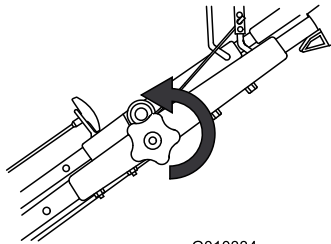
Hinweis: Die Schnitthöheneinstellungen sind 25 mm, 35 mm, 44 mm, 54 mm, 64 mm, 73 mm, 83 mm, 92 mm sowie 102 mm.

Einstellen der oberen Griffhöhe

Sie können den oberen Bügel auf eine für Sie passende Höhe anheben oder absenken.

Hinweis: Sie können den oberen Bügel nicht höher als den Winkel des unteren Bügels anheben.

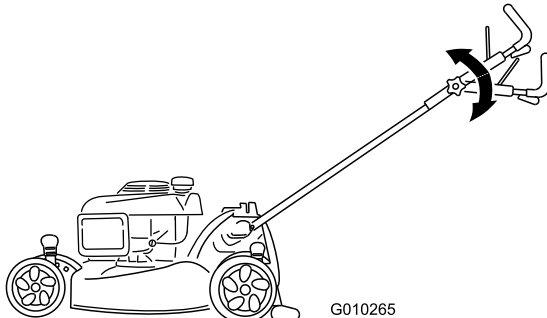
1. Lösen Sie das Handrad des oberen Bügels (Bild 18).



G010334

Bild 18

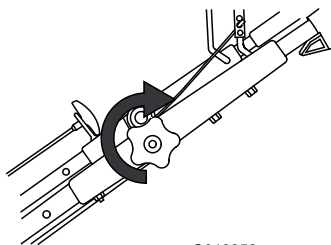
2. Positionieren Sie den oberen Bügel nach Wunsch (Bild 19).



G010265

Bild 19

3. Ziehen Sie das obere Griffhandrad so fest wie es geht (Bild 20).



G010352

Bild 20

Anlassen des Motors

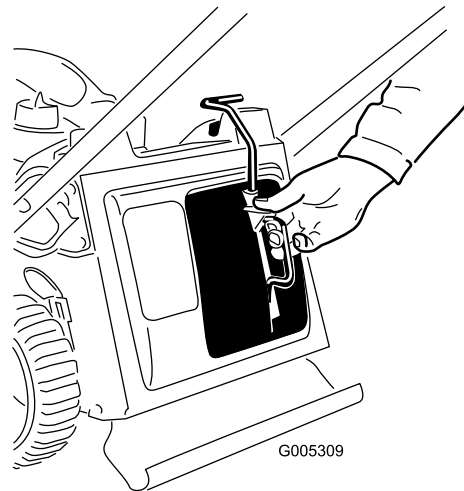
⚠️ WARNUNG:

Die Maschine ist laut und kann Ihr Gehör schädigen.

Tragen Sie einen Gehörschutz.

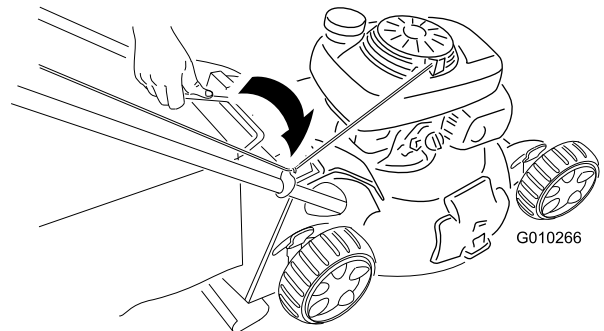
Wichtig: Die Maschine hat einen Sicherheitsschalter, der ein Anlassen des Motors verhindert, wenn der Mulchverschluss oder der Fangkorb nicht an der Maschine eingesetzt sind.

1. Setzen Sie den Mulchverschluss (Bild 21) oder den Fangkorb (Bild 22) an der Maschine ein.



G005309

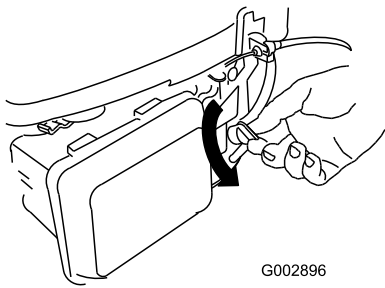
Bild 21



G010266

Bild 22

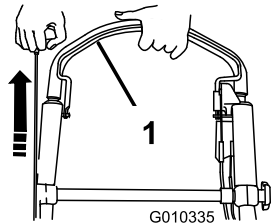
2. Drehen Sie den Kraftstoffhahn auf die Ein-Stellung (Bild 23).



G002896

Bild 23

- Drücken Sie den Schaltbügel zum Bügel und ziehen Sie am Rücklaufstarter (Bild 24).



G010335

Bild 24

- Schaltbügel

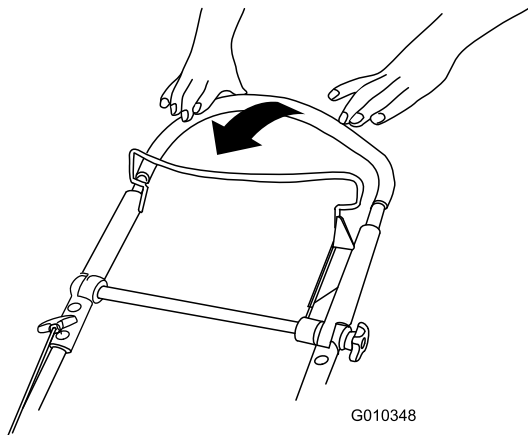
Hinweis: Wenn die Maschine immer noch nicht anspringt, wenden Sie sich an einen offiziellen Vertragshändler.

Verwenden des Selbstantriebs

Um den Selbstantrieb zu benutzen, gehen Sie einfach vorwärts und halten Sie dabei Ihre Hände am oberen Bügel und Ihre Ellbogen an Ihren Seiten; die Maschine hält automatisch mit Ihnen Schritt.

Abstellen des Motors

Lassen Sie zum Abstellen des Motors den Schaltbügel los (Bild 25).



G010348

Bild 25

⚠ ACHTUNG

Wenn Sie den Schaltbügel loslassen, werden der Motor und das Messer innerhalb von 3 Sekunden abgestellt. Wenn dies nicht der Fall ist, setzen Sie die Maschine nicht mehr ein und wenden Sie sich sofort an einen offiziellen Vertragshändler.

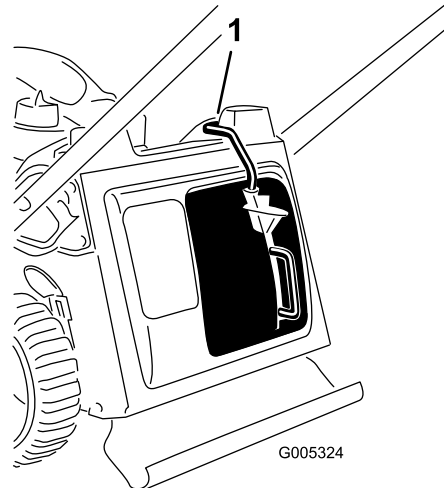
Mulchen des Schnittguts

Die Maschine ist werksseitig auf das Mulchen von Schnittgut und Laub eingestellt.

Nehmen Sie ggf. den Fangkorb vom Gerät ab (siehe Entfernen des Fangkorbs (Seite 15)), bevor Sie Schnittgut mulchen. Nehmen Sie ggf. den Seitenauswurfkanal ab und verriegeln Sie die Klappe des Seitenauswurfs (siehe Entfernen des Seitenauswurfkanals (Seite 16)), bevor Sie das Schnittgut mulchen.

Wichtig: Die Maschine hat einen Sicherungsschalter, der ein Anlassen des Motors verhindert, wenn der Mulchverschluss nicht an der Maschine eingesetzt ist (Bild 26).

Setzen Sie den Mulchverschluss auf, wie in Bild 26 dargestellt.



G005324

Bild 26

- Oberseite des Mulchverschlusses im Schalterkanal

Sammeln des Schnittguts

Verwenden Sie den Fangkorb, wenn Sie Schnittgut und Laub im Fangkorb sammeln möchten.

⚠️ WARNUNG:

Ein verschlissener Fangkorb kann das Ausschleudern kleiner Steine und ähnlicher Gegenstände in Richtung des Benutzers und Unbeteiligter zulassen. Das kann zu schweren oder tödlichen Verletzungen führen.

Prüfen Sie den Fangkorb regelmäßig. Tauschen Sie ihn, wenn er beschädigt ist, gegen einen neuen Toro Ersatzkorb aus.

Nehmen Sie ggf. den Seitenauswurfkanal ab und verriegeln Sie die Klappe des Seitenauswurfs (siehe [Entfernen des Seitenauswurfkanals \(Seite 16\)](#)), bevor Sie den Fangkorb verwenden.

⚠️ WARNUNG:

Das Messer ist scharf; ein Kontakt kann zu schweren Verletzungen führen.

Stellen Sie den Motor ab und warten Sie, bis alle sich drehenden Teile zum Stillstand gekommen sind, bevor Sie die Bedienungsposition verlassen.

Montieren des Fangkorbs

1. Nehmen Sie den Mulchverschluss ab ([Bild 27](#)).

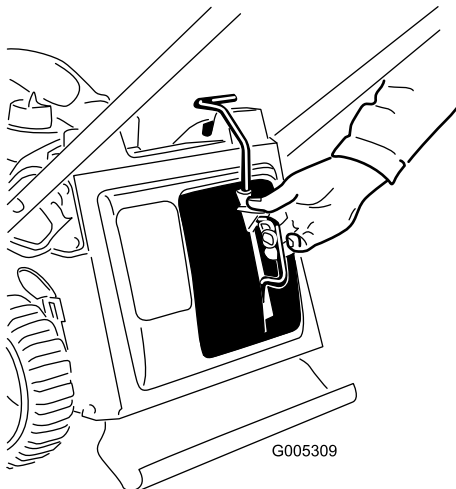


Bild 27

2. Verlegen Sie das Starterkabel um die untere Kabelführung ([Bild 28](#)).

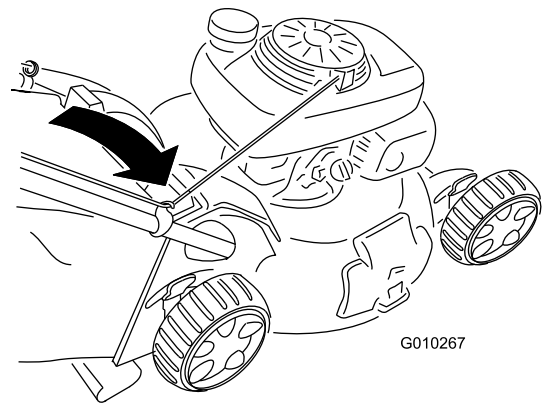


Bild 28

Hinweis: Die untere Kabelführung löst das Starterkabel, wenn Sie am Rücklaufstartergriff ziehen.

3. Setzen Sie den Fangkorbgriff in die Kerben oben an der Maschine ein ([Bild 29](#)).

Wichtig: Die Maschine hat einen Sicherungsschalter, der ein Anlassen des Motors verhindert, wenn der Mulchverschluss oder der Fangkorb nicht an der Maschine eingesetzt sind.

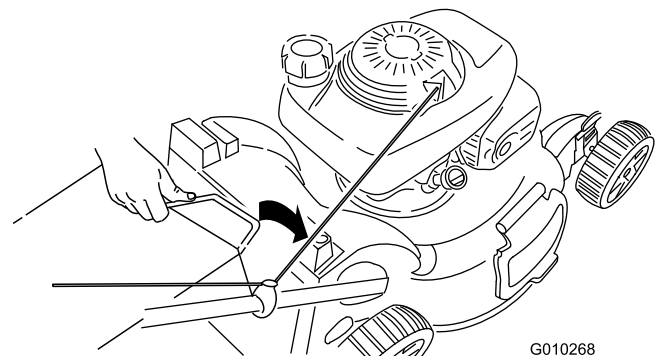


Bild 29

Entfernen des Fangkorbs

1. Verlegen Sie das Starterkabel um die untere Kabelführung ([Bild 30](#)).

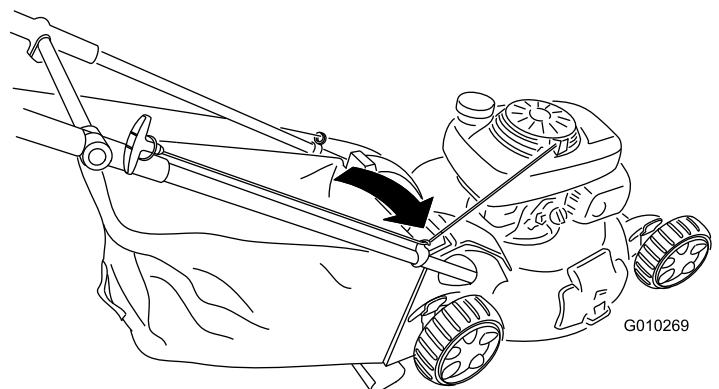


Bild 30

2. Heben Sie den Fangkorbgriff aus den Kerben oben an der Maschine und nehmen Sie den Fangkorb ab (Bild 31).

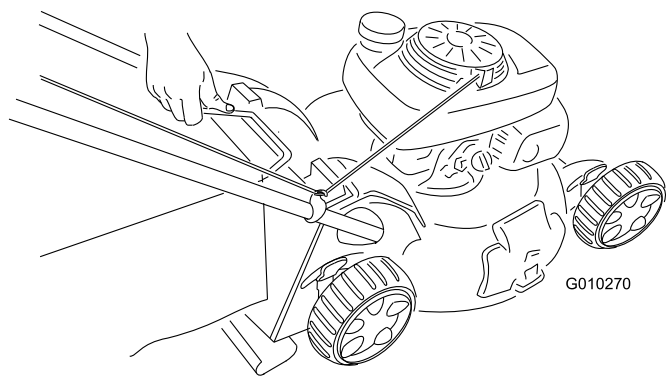


Bild 31

3. Setzen Sie den Mulchverschluss ein (Bild 32).

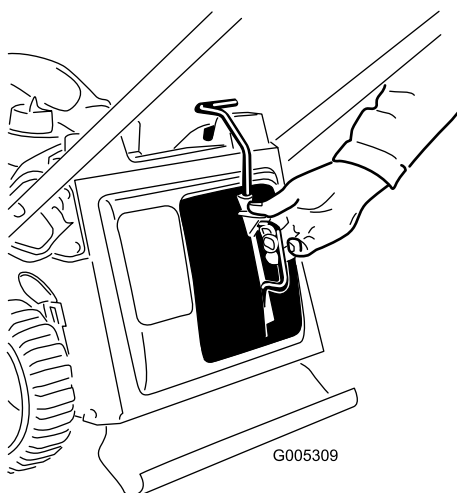


Bild 32

Seitenauswurf des Schnittguts

Verwenden Sie den Seitenauswurf, wenn Sie sehr hohes Gras schneiden.

Nehmen Sie ggf. den Fangkorb von der Maschine ab, bevor Sie das Schnittgut seitlich auswerfen, siehe [Entfernen des Fangkorbs](#) (Seite 15).

Wichtig: Die Maschine hat einen Sicherheitsschalter, der ein Anlassen des Motors verhindert, wenn der Mulchverschluss nicht an der Maschine eingesetzt ist, siehe [Mulchen des Schnittguts](#) (Seite 14).

Einbauen des Seitenauswurfkanals

1. Entriegeln Sie die Seitenauswurfklappe (Bild 33).

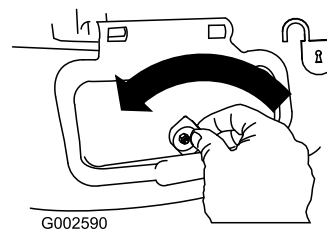


Bild 33

2. Öffnen Sie die Seitenauswurfklappe (Bild 34).

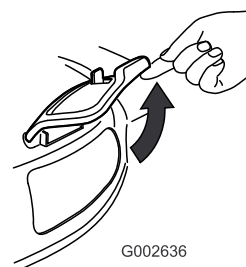


Bild 34

3. Setzen Sie den Seitenauswurfkanal ein und schließen Sie die Klappe auf dem Auswurfkanal (Bild 35).

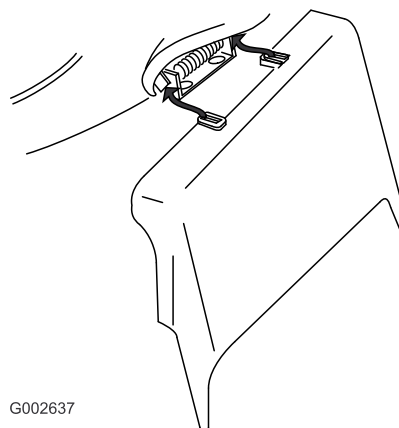


Bild 35

Entfernen des Seitenauswurfkanals

Führen Sie die obigen Schritte in umgekehrter Reihenfolge aus, wenn Sie den Seitenauswurfkanal entfernen möchten.

Wichtig: Verriegeln Sie die Seitenauswurfklappe nach dem Schließen (Bild 36).

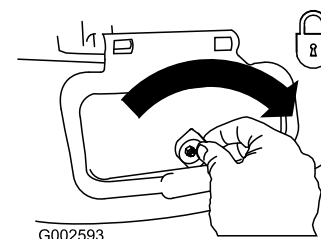


Bild 36

Betriebshinweise

Mähen

⚠️ WARNUNG:

Ein verbogenes, beschädigtes oder loses Messer kann sich von der Maschine lösen und Sie und Unbeteiligte verletzen.

- Räumen Sie Gehölz, Steine, Drähte, Äste und andere Fremdkörper, auf die das Messer aufprallen könnte, aus dem Arbeitsbereich.
- Vermeiden Sie, dass das Messer auf Fremdkörper aufprallt. Mähen Sie nie absichtlich über irgendwelchen Gegenständen.
- Stellen Sie den Motor sofort ab, wenn der Mäher auf einen Gegenstand aufprallt oder anfängt zu vibrieren, ziehen den Kerzenstecker von der Zündkerze und untersuchen Sie den Mäher auf eventuelle Beschädigungen.
- Passen Sie beim Überprüfen bzw. Warten des Messers auf; es ist scharf, und Sie können sich schneiden.
- Halten Sie die Schrauben angezogen und wechseln Sie das Messer in jeder Mähseason durch ein Toro Originalersatzmesser aus.
- Mähen Sie immer nur ein Drittel des Grashalms in einem Durchgang. Mähen Sie nur unter einer Einstellung von 51 mm, wenn das Gras dünn wächst, oder im Spätherbst, wenn das Graswachstum nach lässt. Siehe [Einstellen der Schnitthöhe \(Seite 12\)](#).
- Stellen Sie beim ersten Durchgang die Schnitthöhe auf die höchste Einstellung und gehen langsamer, wenn Sie Gras mähen, das länger als 15 cm ist. Mähen Sie dann noch einmal mit einer niedrigeren Einstellung, um dem Rasen das gewünschte Schnittbild zu geben. Wenn das Gras zu lang ist, kann die Maschine verstopfen und der Motor kann abstellen.
- Mähen Sie nur trockene(s) Gras oder Blätter. Nasses Gras und Laub neigen zum Verklumpen im Garten und können ein Verstopfen der Maschine und ein Abstellen des Motors verursachen.

⚠️ WARNUNG:

Nasses Gras und/oder nasse Blätter können zu schweren Verletzungen führen, sollten Sie darauf ausrutschen und mit dem Messer in Berührung kommen. Mähen Sie nur unter trockenen Bedingungen.

- In sehr trockenen Bedingungen besteht eine Brandgefahr. Halten Sie alle lokalen Brandgefahrwarnungen ein und entfernen Sie trockenes Gras und Laub von der Maschine.

- Wechseln Sie häufig die Mährichtung. Dadurch verteilt sich das Schnittgut besser auf der Rasenfläche und bewirkt ein effektiveres Düngen.
- Probieren Sie bei einem unbefriedigenden Schnittbild des Rasens eine der folgenden Abhilfen aus:
 - Wechseln Sie das Messer aus oder lassen Sie es schärfen.
 - Gehen Sie beim Mähen langsamer.
 - Heben Sie die Schnitthöhe der Maschine an.
 - Mähen Sie häufiger.
 - Lassen Sie die Bahnen überlappen, anstelle bei jedem Gang eine neue Bahn zu mähen.
 - Stellen Sie die Schnitthöhe an den Vorderrädern um eine Kerbe tiefer als an den Hinterrädern. Stellen Sie beispielsweise die Vorderräder auf die 51-mm-Einstellung und die Hinterräder auf 64 mm ein.

Schnetzeln von Laub

- Stellen Sie nach dem Mähen sicher, dass die Hälfte des Rasens durch die Schnittgutdecke sichtbar ist. Dabei müssen Sie unter Umständen mehrmals über das Laub mähen.
- Wenn eine Laubdecke von mehr als 13 cm auf dem Rasen liegt, stellen Sie die vordere Schnitthöhe um eine oder zwei Kerben höher als die hintere.
- Mähen Sie langsamer, wenn die Maschine das Laub nicht fein genug häckselt.

Wartung

Hinweis: Bestimmen Sie die linke und rechte Seite der Maschine anhand der üblichen Einsatzposition.

Empfohlener Wartungsplan

Wartungsintervall	Wartungsmaßnahmen
Nach fünf Betriebsstunden	<ul style="list-style-type: none">• Wechseln Sie das Motoröl.
Bei jeder Verwendung oder täglich	<ul style="list-style-type: none">• Prüfen des Motorölstands.• Stellen Sie sicher, dass der Motor innerhalb von 3 Sekunden nach dem Loslassen des Schaltbügels abstellt.• Prüfen Sie den Luftfilter auf Verschmutzungen oder Beschädigungen und wechseln ihn ggf. aus.
Nach jeder Verwendung	<ul style="list-style-type: none">• Entfernen Sie Schnittgut und Schmutz von der Unterseite des Maschinengehäuses.
Vor der Einlagerung	<ul style="list-style-type: none">• Entleeren Sie den Kraftstofftank laut Anweisung vor irgendwelchen Reparaturen und der Einlagerung.
Jährlich	<ul style="list-style-type: none">• Reinigen Sie den Luftfilter oder wechseln ihn aus (häufiger unter staubigen Bedingungen).• Wechseln Sie das Motoröl.• Schmieren Sie den oberen Bügel ein.• Wechseln Sie das Messer aus oder lassen Sie es schärfen (öfter, wenn die Kanten schnell stumpf werden).• Beachten Sie für weitere jährliche Wartungsmaßnahmen die Motorbedienungsanleitung.

Wichtig: Beachten Sie für weitere Wartungsmaßnahmen die Motorbedienungsanleitung.

Vorbereiten für die Wartung

1. Stellen Sie den Motor ab und warten Sie, bis alle beweglichen Teile zum Stillstand gekommen sind.
2. Ziehen Sie das Zündkabel von der Zündkerze (Bild 37) ab, bevor Sie Wartungsarbeiten ausführen.

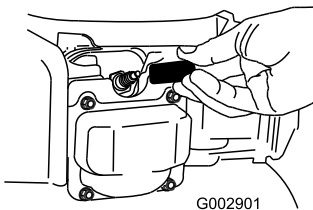


Bild 37

3. Stecken Sie nach dem Abschluss der Wartungsarbeiten das Zündkabel wieder auf die Zündkerze.

Wichtig: Lassen Sie den Motor laufen, bis er aufgrund von Kraftstoffmangel abstellt, bevor Sie den Rasenmäher umkippen, um das Öl oder Messer zu wechseln. Wenn Sie die Maschine kippen müssen, während sich Kraftstoff im Tank befindet, pumpen Sie den Kraftstoff mit einer Handpumpe ab. Kippen Sie die Maschine immer so auf die Seite, dass der Peilstab nach unten zeigt.

⚠️ WARNUNG:

Ein Kippen der Maschine kann zu einem Verschütten von Kraftstoff führen. Benzin ist entflammbar, explosiv und kann Verletzungen verursachen.

Lassen Sie den Motor laufen, bis kein Kraftstoff mehr im Tank ist, oder pumpen Sie den Kraftstoff ab. Sie sollten auf keinen Fall versuchen, Kraftstoff abzusaugen.

Warten des Luftfilters

Wartungsintervall: Bei jeder Verwendung oder täglich

Jährlich

1. Drücken Sie die Verriegelungsnasen oben an der Luftfilterabdeckung nach unten (Bild 38).

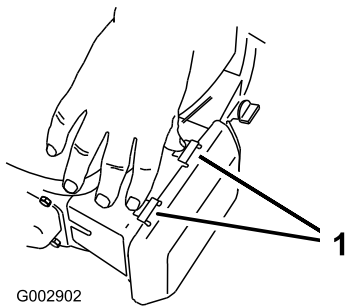


Bild 38

1. Verriegelungslaschen

2. Öffnen Sie die Abdeckung.
3. Entfernen Sie den Luftfilter (Bild 39).

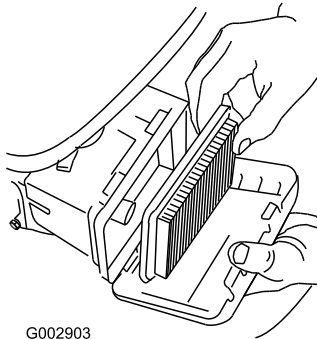


Bild 39

4. Wenn der Luftfilter beschädigt oder mit Öl oder Kraftstoff befeuchtet ist, wechseln Sie ihn aus.
5. Wenn der Luftfilter schmutzig ist, klopfen Sie ihn mehrmals auf einer festen Oberfläche aus oder blasen Sie Druckluft unter 2,07 bar durch die Seite des Filters, die zum Motor zeigt.

Hinweis: Bürsten Sie Schmutz nie vom Filter ab. Ein Bürsten drückt den Schmutz noch tiefer in die Fasern.

6. Entfernen Sie den Schmutz vom Luftfiltergehäuse und von der Abdeckung mit einem feuchten Lappen. **Wischen Sie keinen Schmutz in den Luftschacht.**
7. Setzen Sie den Filter in den Luftfilter ein.
8. Schließen Sie die Abdeckung auf.

Wechseln des Motoröls

Wartungsintervall: Nach fünf Betriebsstunden

Jährlich

1. Stellen Sie die Maschine auf einer ebenen Fläche ab.
2. Stellen Sie sicher, dass der Kraftstofftank nur wenig oder keinen Kraftstoff enthält, sodass kein Kraftstoff ausläuft, wenn Sie die Maschine seitlich kippen.
3. Lassen Sie den Motor ein paar Minuten laufen, bevor Sie das Öl wechseln, um es aufzuwärmen.

Hinweis: Warmes Öl fließt besser und enthält mehr Verunreinigungen.

4. Klemmen Sie das Zündkabel von der Zündkerze ab [Vorbereiten für die Wartung \(Seite 18\)](#).
5. Stellen Sie eine Ölauffangwanne an der Seite neben dem Öleinfüllstutzen neben die Maschine.
6. Nehmen Sie den Peilstab aus dem Öleinfüllstutzen ([Bild 40](#)).

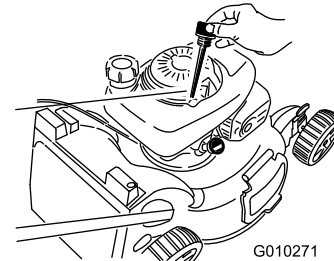


Bild 40

7. Kippen Sie die Maschine zur Seite, der Einfüllstutzen zeigt nach unten, um das Altöl über den Einfüllstutzen in eine Auffangwanne abzulassen ([Bild 41](#)).

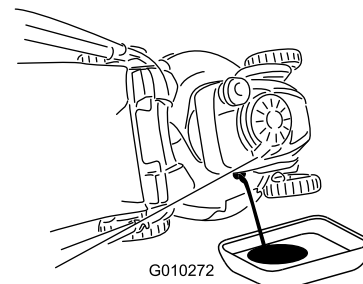


Bild 41

8. Stellen Sie die Maschine nach dem Ablassen des Altöls wieder in die Betriebsstellung.
9. Gießen Sie circa drei Viertel der maximalen Füllmenge in das Kurbelgehäuse.

Hinweis: Max. Füllstand: 0,55 l, Sorte: Waschaktives SAE 30-Öl mit der Klassifizierung SF, SG, SH, SJ, SL oder höher durch das American Petroleum Institute (API).

10. Wischen Sie den Peilstab mit einem sauberen Lappen ab.
11. Stecken Sie den Peilstab in den Einfüllstutzen, **schrauben Sie ihn jedoch nicht ein.**
12. Nehmen Sie den Peilstab heraus und lesen Sie den Ölstand ab ([Bild 42](#)).

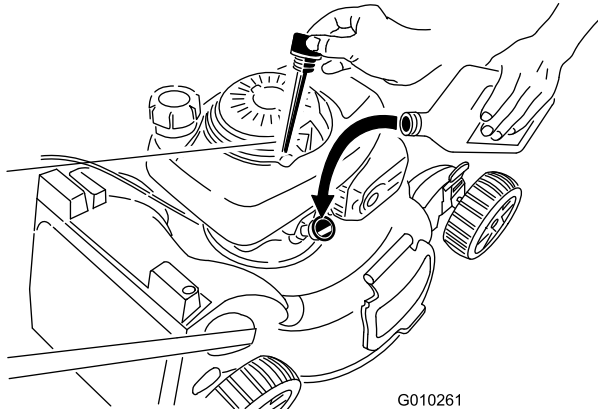
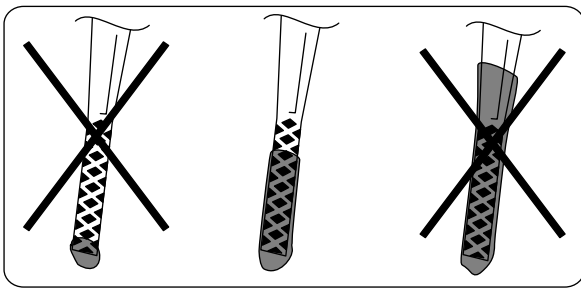


Bild 42

- Wenn der Ölstand zu niedrig ist, gießen Sie langsam etwas Öl in den Einfüllstutzen, warten Sie drei Minuten und wiederholen die Schritte 10 bis 12, um den Ölstand auf die **Voll-Markierung** am Peilstab anzuheben .
- Wenn der Ölstand zu hoch ist, lassen Sie Öl ab, bis der Ölstand richtig ist, wie in Bild 42 dargestellt.

Wichtig: Wenn der Ölstand im Kurbelgehäuse zu hoch oder zu niedrig ist, und Sie den Motor laufen lassen, können Motorschäden auftreten.

13. Stecken Sie den Peilstab fest in den Einfüllstutzen.
14. Entsorgen Sie das Altöl bei einem zugelassenen Recyclingcenter.

Einschmieren des oberen Bügels

Wartungsintervall: Jährlich

Schmieren Sie die linke und rechte Seite des oberen Bügels mit einem Silikonprühschmiermittel mit geringer Viskosität ein.

1. Sprühen Sie die äußeren Kunststoffenden des inneren Bügels ein (Bild 43).

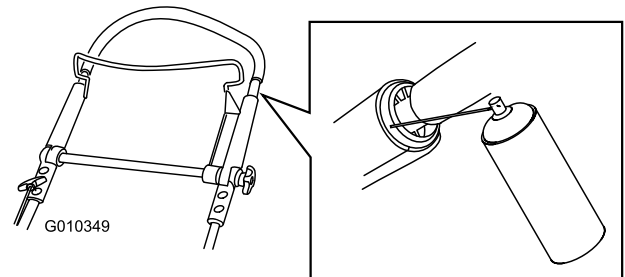


Bild 43

Hinweis: Steuern Sie die Sprühhichtung mit dem Strohhalm, der dem Spray beiliegt.

2. Drücken Sie den oberen Bügel ganz nach unten und sprühen Sie die innere Kunststoffoberfläche des äußeren Bügel ein (Bild 44).

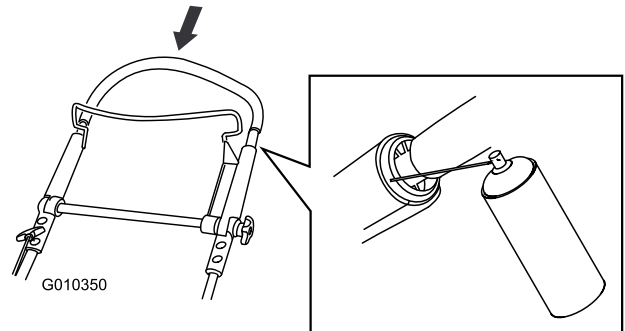


Bild 44

Einstellen des Selbstantriebs

Wenn der Selbstantrieb der Maschine nicht funktioniert, stellen Sie das Selbstantriebskabel ein.

1. Lockern Sie die Mutter an der Kabelhalterung (Bild 45).

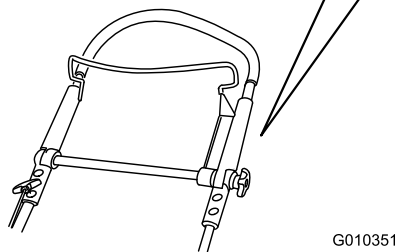
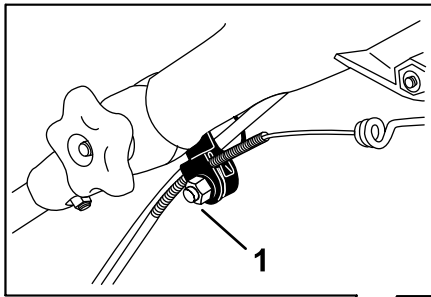


Bild 45

1. Kabelhalterung

2. Ziehen Sie den oberen Bügel ganz nach hinten.

Hinweis: Wenn sich der Bügel nicht mühelos bewegen lässt, finden Sie weitere Informationen unter [Einschmieren des oberen Bügels](#) (Seite 20).

3. Ziehen Sie den Kabelmantel nach unten, bis der freigelegte Zug kein Spiel mehr hat (Bild 46).

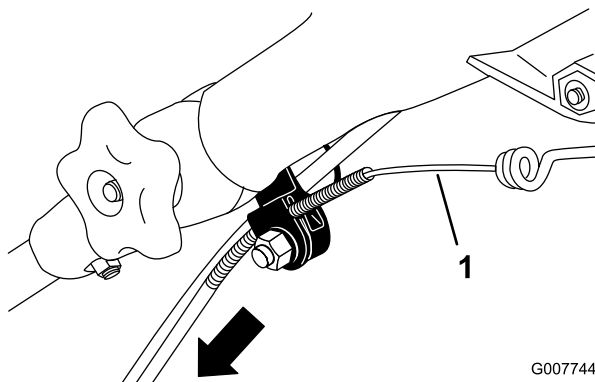


Bild 46

1. Freigelegtes Kabel

4. Drücken Sie den Kabelmantel um 3 mm nach oben.

Hinweis: Sie können ein Lineal außen an die schwarze Kabelhalterung anlegen und messen, wie weit sich das obere Ende des Kabelmantels bewegt (Bild 47).

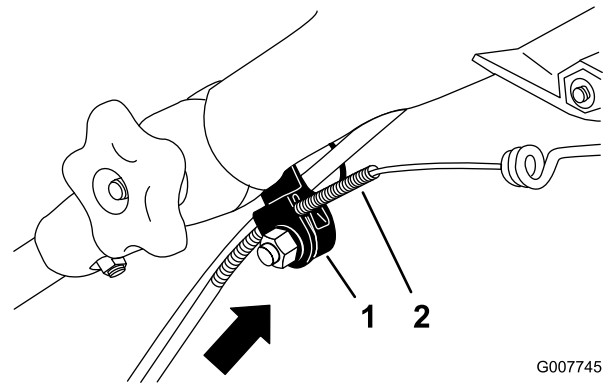


Bild 47

1. Kabelhalterung
2. Kabelmantel

Wichtig: Wenn Sie den Kabelmantel nach oben schieben, wird die Fahrgeschwindigkeit verringert, wenn Sie den Mantel nach unten schieben, wird die Fahrgeschwindigkeit erhöht.

5. Ziehen Sie die Mutter fest.
6. Lassen Sie den Motor an und prüfen die Einstellung.

Hinweis: Wenn der Antrieb nicht richtig eingestellt ist, wiederholen Sie die vorherigen Schritte.

Auswechseln des Messers

Wartungsintervall: Jährlich

Wichtig: Sie benötigen für den richtigen Einbau des Messers einen Drehmomentschlüssel. Wenn Sie keinen Drehmomentschlüssel haben oder diese Arbeit nicht ausführen möchten, wenden Sie sich an einen offiziellen Vertragshändler.

Prüfen Sie das Messer, wenn der Kraftstofftank leer ist. Wechseln Sie das Messer sofort aus, wenn es beschädigt oder gerissen ist. Schärfen Sie die Messerkante, wenn sie stumpf ist oder Einkerbungen aufweist. Wechseln Sie ggf. das Messer aus.

⚠️ WARNUNG:

Das Messer ist scharf; ein Kontakt kann zu schweren Verletzungen führen.

Tragen Sie Handschuhe, wenn Sie das Messer warten.

1. Ziehen Sie den Kerzenstecker von der Zündkerze ab. Siehe [Vorbereiten für die Wartung](#) (Seite 18).
2. Kippen Sie die Maschine immer so auf die Seite, dass der Peilstab nach unten zeigt.
3. Stabilisieren Sie das Messer mit einem Holzblock (Bild 48).

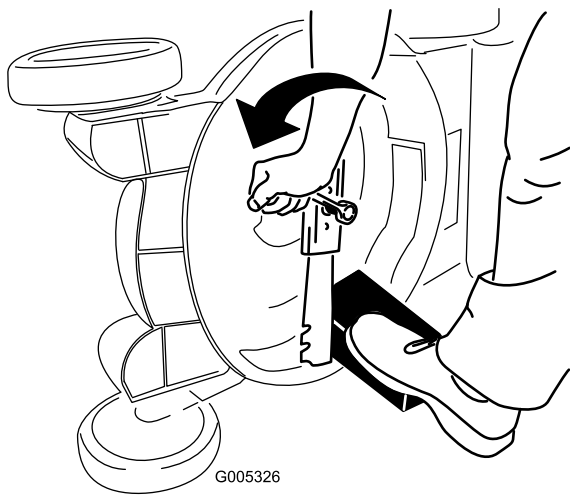


Bild 48

4. Nehmen Sie das Messer ab und bewahren Sie alle Befestigungsschrauben auf (Bild 48).
5. Setzen Sie das neue Messer und alle Schrauben auf (Bild 49).

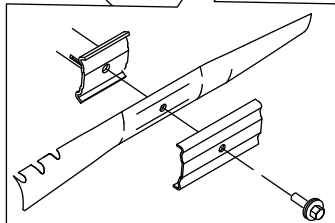
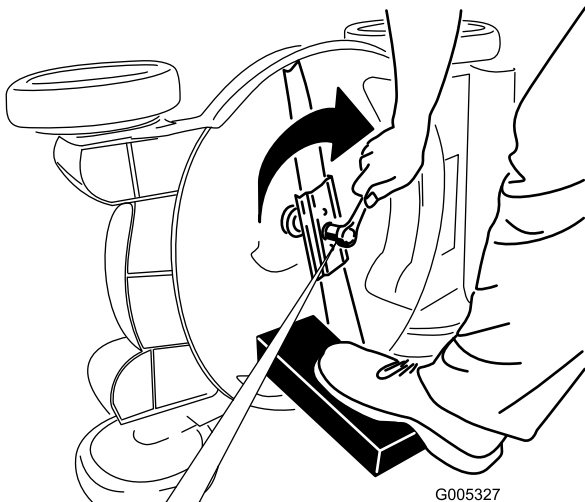


Bild 49

Wichtig: Das gebogene Ende des Messers sollte zum Mähwerkgehäuse zeigen.

6. Ziehen Sie die Messerschraube mit einem Drehmomentschlüssel auf 82 Nm an.

Wichtig: Eine auf 82 Nm angezogene Schraube ist sehr fest. Arretieren Sie das Messer mit einem Holzstück und verlagern Sie gleichzeitig das Gewicht auf den Schlüssel und ziehen Sie die

Schraube fest. Diese Schraube kann fast nicht zu fest angezogen werden.

Reinigen der Unterseite des Maschinengehäuses

Wartungsintervall: Nach jeder Verwendung

⚠️ WARNUNG:

Die Maschine kann Ablagerungen unter dem Maschinengehäuse lockern.

- Tragen Sie eine Schutzbrille.
- Bleiben Sie in der Einsatzstellung (hinter dem Holm) wenn der Motor läuft.
- Halten Sie Unbeteiligte vom Bereich fern.

Um die besten Ergebnisse zu erzielen, reinigen Sie die Unterseite des Maschinengehäuses gleich nach dem Mähen.

1. Senken Sie die Maschine auf die niedrigste Schnitthöhe ab, siehe [Einstellen der Schnitthöhe \(Seite 12\)](#).
2. Fahren Sie die Maschine auf eine ebene, befestigte Fläche.
3. Lassen Sie den Motor bei eingekuppeltem Messer laufen und sprühen Sie Wasser vor das rechte Hinterrad (Bild 49).

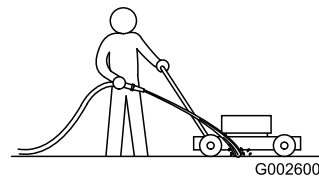


Bild 50

Hinweis: Das Wasser spritzt dann in den Messerlaufweg und spült das Schnittgut aus.

4. Stellen Sie das Wasser ab, wenn kein Schnittgut mehr herausgespült wird, und schieben Sie den Rasenmäher auf einen trockenen Bereich.
5. Lassen Sie den Motor bei eingekuppeltem Messer ein paar Minuten lang laufen, damit das Gehäuse austrocknet und nicht rostet.

Einlagerung

Lagern Sie die Maschine an einem kühlen, sauberen und trockenen Ort ein.

Vorbereiten der Maschine für das Einlagern

⚠️ WARNUNG:

Benzindämpfe können explodieren.

- Lagern Sie Benzin nicht länger als 30 Tage.
- Lagern Sie die Maschine nicht in geschlossenen Räumen in der Nähe von offenem Feuer ein.
- Lassen Sie vor dem Einlagern den Motor abkühlen.

1. Füllen Sie beim letzten Betanken für das Jahr dem frischen Benzin einen Kraftstoffstabilisator zu. Folgen Sie dabei den Anweisungen des Motorherstellers.
2. Entsorgen Sie nicht verwendeten Kraftstoff ordnungsgemäß. Recyceln Sie den Kraftstoff vorschriftsmäßig oder verwenden Sie ihn für Ihr Auto.

Hinweis: Alter Kraftstoff im Kraftstofftank ist die häufigste Ursache für schweres Anspringen. Lagern Sie Kraftstoff ohne Stabilisator nicht für mehr als 30 Tage. Lagern Sie Kraftstoff mit Stabilisator nicht für mehr als 90 Tage.

3. Lassen Sie die Maschine so lange laufen, bis sie infolge von Benzinknappheit abstellt.
4. Lassen Sie den Motor wieder an.
5. Lassen Sie den Motor laufen, bis er abstellt. Wenn sich der Motor nicht mehr starten lässt, ist er ausreichend trocken.
6. Schließen Sie den Zündkerzenstecker ab.
7. Nehmen Sie die Zündkerze heraus, füllen Sie 30 ml Öl in das Zündkerzenloch und ziehen Sie mehrmals langsam am Starterkabel, um das Öl im Zylinder zu verteilen und eine Korrosion des Zylinders während der Einlagerung zu vermeiden.
8. Stecken Sie die Zündkerze locker auf.
9. Ziehen Sie alle Schrauben und Muttern an.

Zusammenklappen des Griffs

Hochgeklappte Stellung

1. Treten Sie auf das Pedal und halten Sie es gedrückt (Bild 51).

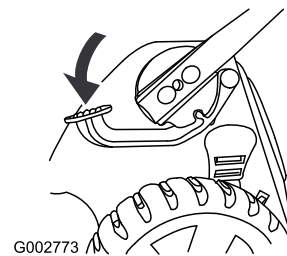


Bild 51

2. Schieben Sie den Griff in die hochgestellte Stellung (Bild 52).

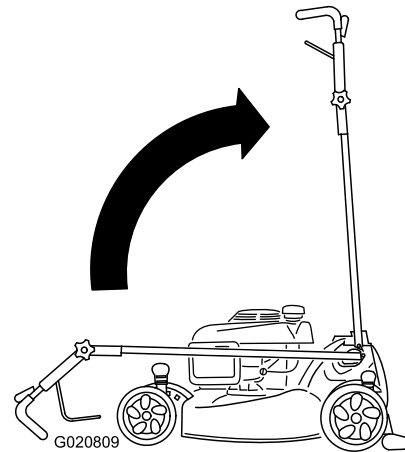


Bild 52

Vorwärtsstellung

1. Wenn der Griff hochgestellt ist, treten Sie auf das Pedal und halten Sie es gedrückt.
2. Schieben Sie den Griff ganz nach vorne und lösen Sie das obere Griffhandrad (Bild 53).

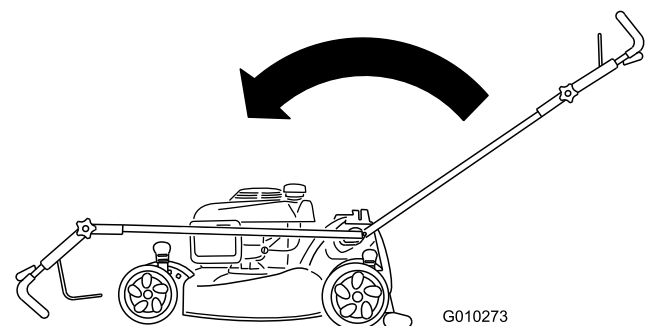


Bild 53

3. Zum Aufklappen des Bügels siehe [1 Aufklappen des Holms \(Seite 7\)](#).

Herausnehmen der Maschine aus der Einlagerung

1. Ziehen Sie alle Befestigungen an.
2. Entfernen Sie die Zündkerze und drehen Sie den Motor schnell durch Ziehen des Rücklaufstarters, um überflüssiges Öl aus dem Zylinder zu entfernen.
3. Setzen Sie die Zündkerze ein und ziehen Sie sie mit einem Drehmomentschlüssel auf 20 Nm an.
4. Führen Sie die empfohlenen Wartungsarbeiten durch, siehe [Wartung \(Seite 18\)](#).
5. Prüfen Sie den Motorölstand; siehe [Prüfen des Motorölstands \(Seite 12\)](#).
6. Füllen Sie frisches Benzin in den Kraftstofftank, siehe [Betanken \(Seite 11\)](#).
7. Schließen Sie den Zündkerzenstecker wieder an die Zündkerze an.

Internationale Händlerliste

Vertragshändler:	Land:	Telefonnummer:	Vertragshändler:	Land:	Telefonnummer:
Agrolanc Kft	Ungarn	36 27 539 640	Maquiver S.A.	Kolumbien	57 1 236 4079
Balama Prima Engineering Equip.	Hongkong	852 2155 2163	Maruyama Mfg. Co. Inc.	Japan	81 3 3252 2285
B-Ray Corporation	Korea	82 32 551 2076	Mountfield a.s.	Tschechische Republik	420 255 704 220
Casco Sales Company	Puerto Rico	787 7888383	Mountfield a.s.	Slowakei	420 255 704 220
Ceres S.A.	Costa Rica	506 2391138	Munditol S.A.	Argentinien	54 11 4 821 9999
CSSC Turf Equipment (pvt) Ltd.	Sri Lanka	94 11 2746100	Norma Garden	Russland	7 495 411 61 20
Cyril Johnston & Co.	Nordirland	44 2890 813 121	Oslinger Turf Equipment SA	Ecuador	593 4 239 6970
Cyril Johnston & Co.	Irland	44 2890 813 121	Oy Hako Ground and Garden Ab	Finnland	358 987 00733
Equiver	Mexiko	52 55 539 95444	Parkland Products Ltd.	Neuseeland	64 3 34 93760
Femco S.A.	Guatemala	502 442 3277	Perfetto	Polen	48 61 8 208 416
ForGarder OU	Estland	372 384 6060	Pratoverde SRL.	Italien	39 049 9128 128
G.Y.K. Company Ltd.	Japan	81 726 325 861	Prochaska & Cie	Österreich	43 1 278 5100
Geomechaniki of Athens	Griechenland	30 10 935 0054	RT Cohen 2004 Ltd.	Israel	972 986 17979
Golf international Turizm	Türkei	90 216 336 5993	Riversa	Spanien	34 9 52 83 7500
Guandong Golden Star	China	86 20 876 51338	Lely Turfcare	Dänemark	45 66 109 200
Hako Ground and Garden	Schweden	46 35 10 0000	Solvart S.A.S.	Frankreich	33 1 30 81 77 00
Hako Ground and Garden	Norwegen	47 22 90 7760	Spypros Stavrinides Limited	Zypern	357 22 434131
Hayter Limited (U.K.)	Großbritannien	44 1279 723 444	Surge Systems India Limited	Indien	91 1 292299901
Hydroturf Int. Co Dubai	Vereinigte Arabische Emirate	97 14 347 9479	T-Markt Logistics Ltd.	Ungarn	36 26 525 500
Hydroturf Egypt LLC	Ägypten	202 519 4308	Toro Australia	Australien	61 3 9580 7355
Irrimac	Portugal	351 21 238 8260	Toro Europe NV	Belgien	32 14 562 960
Irrigation Products Int'l Pvt Ltd.	Indien	0091 44 2449 4387	Valtech	Marokko	212 5 3766 3636
Jean Heybroek b.v.	Niederlande	31 30 639 4611	Victus Emak	Polen	48 61 823 8369

Europäischer Datenschutzhinweis

Die von Toro gespeicherten Informationen
Toro Warranty Company (Toro) respektiert Ihre Privatsphäre. Zum Bearbeiten Ihres Garantieanspruchs und zur Kontaktaufnahme bei einem Produktrückruf bittet Toro Sie, Toro direkt oder über den lokalen Vertragshändler bestimmte persönliche Informationen mitzuteilen.

Das Garantiesystem von Toro wird auf Servern in USA gehostet; dort gelten ggf. andere Vorschriften zum Datenschutz ggf. als in Ihrem Land.

Wenn Sie Toro persönliche Informationen mitteilen, stimmen Sie der Verarbeitung der persönlichen Informationen zu, wie in diesem Datenschutzhinweis beschrieben.

Verwendung der Informationen durch Toro

Toro kann Ihre persönlichen Informationen zum Bearbeiten von Garantieansprüchen, zur Kontaktaufnahme bei einem Produktrückruf oder anderen Zwecken, die Toro Ihnen mitteilt, verwenden. Toro kann die Informationen im Rahmen dieser Aktivitäten an Toro Tochtergesellschaften, Händler oder Geschäftspartner weitergeben. Toro verkauft Ihre persönlichen Informationen an keine anderen Unternehmen. Toro hat das Recht, persönliche Informationen mitzuteilen, um geltende Vorschriften und Anfragen von entsprechenden Behörden zu erfüllen, um die Systeme richtig zu pflegen oder Toro oder andere Benutzer zu schützen.

Speicherung persönlicher Informationen

Toro speichert persönliche Informationen so lange, wie es für den Zweck erforderlich ist, für den die Informationen gesammelt wurden, oder für andere legitime Zwecke (z. B. Einhaltung von Vorschriften) oder Gesetzesvorschriften.

Toros Engagement zur Sicherung Ihrer persönlichen Informationen

Toro trifft angemessene Sicherheitsmaßnahmen, um Ihre persönlichen Informationen zu schützen. Toro unternimmt auch Schritte, um die Genauigkeit und den aktuellen Status der persönlichen Informationen zu erhalten.

Zugriff auf persönliche Informationen und Richtigkeit persönlicher Informationen

Wenn Sie die Richtigkeit Ihrer persönlichen Informationen prüfen möchten, senden Sie bitte eine E-Mail an legal@toro.com.

Australisches Verbrauchergesetz

Kunden in Australien finden weitere Details zum australischen Verbrauchergesetz entweder in der Verpackung oder können sich an den örtlichen Toro Vertragshändler wenden.



Die Garantie von Toro und Die GTS-Leichtstartgarantie von Toro

Geräte für den Privatgebrauch

Bedingungen und abgedeckte Produkte

Die Toro Company und die Vertragshändler, Toro Warranty Company, gewährleisten im Rahmen eines gegenseitigen Abkommens die aufgeführten Produkte für den Erstkäufer¹⁾ von Toro zu reparieren, wenn die Produkte Material- oder Herstellungsfehler aufweisen, aufgrund eines Bestandteiledefekts ausfallen, oder wenn der Toro GTS-Leichtstartmotor (Guaranteed to Start) nicht beim ersten oder zweiten Ziehen anspringt, wenn die in der *Bedienungsanleitung* aufgeführten regelmäßigen Wartungsarbeiten ausgeführt wurden.

Die folgenden Garantiezeiträume gelten ab dem Kaufdatum:

Produkte	Garantiezeitraum
Handrasenmäher mit Selbstantrieb • Gussmähwerk	5 Jahre bei Privatpersonen-Verwendung ² 90 Tage bei gewerblicher Verwendung
• Motor	5 Jahre GTS-Garantie, Privatverwendung ³
• Batterie	2 Jahre
• Stahlmähwerk	2 Jahre bei Privatpersonen-Verwendung ² 30 Tage bei gewerblicher Verwendung
• Motor	2 Jahre GTS-Garantie, Privatverwendung ³
TimeMaster-Mäher	3 Jahre bei Privatpersonen-Verwendung ² 90 Tage bei gewerblicher Verwendung
• Motor	3 Jahre GTS-Garantie, Privatverwendung ³
• Batterie	2 Jahre
Tragbare Elektroprodukte und Handrasenmäher	2 Jahre bei Verwendung durch Privatpersonen ² Keine Garantie bei gewerblicher Nutzung
Schneefräsen	
• Einstufig	2 Jahre bei Privatpersonen-Verwendung ² 45 Tage bei gewerblicher Verwendung
• Motor	2 Jahre GTS-Garantie, Privatverwendung ³
• Zweistufig	3 Jahre bei Privatkunden-Verwendung ² 45 Tage bei gewerblicher Verwendung Lebenslang (nur Erstkäufer) ⁵
• Auswurfkanal, Ablenklech und Räumwerkgehäuseabdeckung	
Elektrische Schneefräsen	2 Jahre bei Privatpersonen-Verwendung ² Keine Garantie für gewerblichen Gebrauch
Alle unten aufgeführten Aufsitzmäher	
• Motor	Siehe Garantie des Motorherstellers ⁴
• Batterie	2 Jahre bei Privatpersonen-Verwendung ²
• Anbaugeräte	2 Jahre bei Privatpersonen-Verwendung ²
Rasen- und Gartentraktore DH	2 Jahre bei Privatpersonen-Verwendung ² 30 Tage bei gewerblicher Verwendung
Rasen- und Gartentraktore XLS	3 Jahre bei Privatkunden-Verwendung ² 30 Tage bei gewerblicher Verwendung
TimeCutter	3 Jahre bei Privatkunden-Verwendung ² 30 Tage bei gewerblicher Verwendung
TITAN-Rasenmäher	
• Rahmen	3 Jahre oder 240 Stunden ⁵ Lebenslang (nur Erstkäufer) ⁶

¹Erstkäufer ist die Person, die das Toro Produkt neu gekauft hat.

²Normaler Privatgebrauch bedeutet die Verwendung des Produktes auf demselben Grundstück wie das Eigenheim. Der Einsatz an mehreren Standorten wird als gewerblicher Gebrauch eingestuft, und in diesen Situationen würde die gewerbliche Garantie gelten.

³Die Toro GTS-Startgarantie gilt nicht bei gewerblichem Gebrauch.

⁴Einige Motoren, die in Toro Produkten eingesetzt werden, haben eine Garantie vom Motorhersteller.

⁵Je nach dem, was zuerst eintritt.

⁶Lebenslange Rahmengarantie: Wenn der Hauptrahmen, der aus den geschweißten Teilen besteht, die die Traktorstruktur ergeben, an der andere Bestandteile, u. a. der Motor, befestigt sind, bei normalen Gebrauch Risse zeigt oder bricht, wird er im Rahmen der Garantie (nach Ermessen von Toro) kostenfrei (keine Material- und Lohnkosten) repariert oder ausgetauscht. Ein Rahmenversagen aufgrund von Missbrauch oder nicht ausgeführten Reparaturen, die aufgrund von Rost oder Korrosion erforderlich sind, ist nicht abgedeckt.

Die Garantieansprüche werden ggf. abgelehnt, wenn der Betriebsstundenzähler abgeschlossen oder modifiziert wurde oder Zeichen einer Modifizierung aufweist.

Verantwortung des Eigentümers

Sie müssen das Produkt von Toro gemäß der in der *Bedienungsanleitung* aufgeführten Wartungsarbeiten pflegen. Für solche Routinewartungsarbeiten, die von Ihnen oder einem Händler durchgeführt werden, kommen Sie auf.

Anweisungen für die Inanspruchnahme von Wartungsarbeiten unter Garantie

Halten Sie dieses Verfahren ein, wenn Sie der Meinung sind, dass Ihre Produkte von Toro Material- oder Herstellungsfehler aufweisen.

1. Wenden Sie sich an die Verkaufsstelle, um einen Kundendienst für das Produkt zu vereinbaren. Wenn Sie den Verkäufer nicht kontaktieren können, können Sie sich auch an jeden offiziellen Vertragshändler von Toro wenden. Siehe beiliegende Liste der Vertragshändler.
2. Bringen Sie das Produkt und den Kaufnachweis (Rechnung) zum Händler. Wenn Sie mit der Analyse oder dem Support des Vertragshändlers nicht zufrieden sind, wenden Sie sich an Toro unter:

Toro Customer Care Department, RLC Division
Toro Warranty Company
8111 Lyndale Avenue South
Bloomington, MN 55420-1196
001-952-948-4707

Nicht von der Garantie abgedeckte Punkte und Bedingungen

Es bestehen keine weiteren ausdrücklichen Garantien, außer Sondergarantien für Emissionsanlagen und Motoren bei einigen Produkten. Diese ausdrückliche Garantie schließt Folgendes aus:

- Kosten für regelmäßige Wartungsarbeiten oder Teile, wie z. B. Filter, Kraftstoff, Schmiermittel, Ölwechsel, Zündkerzen, Luftfilter, Schärpen der Messer bzw. abgenutzte Messer, Kabel- und Gestänge-Einstellungen oder Einstellen der Bremsen oder der Kupplung.
- Komponentenausfall aufgrund von normaler Abnutzung
- Jedes Produkt oder Teil, das modifiziert oder missbraucht wurde oder vernachlässigt wurde und aufgrund eines Unfalls oder fehlender Wartung ersetzt oder repariert werden muss
- Gebühren für Abholung und Zustellung
- Reparaturen oder versuchte Reparaturen, die nicht vom offiziellen Toro Vertragshändler ausgeführt wurden
- Reparaturen, die aufgrund eines Nichtbeachtens der folgenden Schritte für das Betanken entstehen (weitere Informationen finden Sie in der *Bedienungsanleitung*)
 - Das Entfernen von Verunreinigungen aus der Kraftstoffanlage ist nicht abgedeckt
 - Verwenden von altem Kraftstoff (älter als einen Monat) oder von Kraftstoff, der mehr als 10 % Ethanol oder mehr als 15 % MTBE enthält
 - Kein Entleeren der Kraftstoffanlage vor der Einlagerung oder Nichtverwendung von mehr als einem Monat
- Reparaturen oder Einstellungen zum Beheben von Startproblemen aufgrund folgender Ursachen:
 - Nichteinhalten vorgeschriebener Wartungsarbeiten oder empfohlener Schritte für das Auftanken
 - Messer des Sicheljäher trifft auf ein Objekt
- Spezielle Einsatzbedingungen, bei denen mehr als zweimaliges Ziehen erforderlich ist
 - Erster Start nach längerer Nichtverwendung für über drei Monate oder saisonaler Einlagerung
 - Starts in niedrigen Temperaturen, wie z. B. im Frühjahr oder Herbst
 - Falsches Anlassen: Lesen Sie bei Startproblemen bitte in der *Bedienungsanleitung* nach, um sicherzustellen, dass Sie die richtigen Startabläufe einhalten. Dies kann Ihnen einen unnötigen Besuch beim Toro Vertragshändler sparen.

Allgemeine Bedingungen

Für den Käufer gelten die gesetzlichen Vorschriften jedes Landes. Die Rechte, die dem Käufer aus diesen gesetzlichen Vorschriften zustehen, werden nicht von dieser Garantie eingeschränkt.



Tondeuse Super Bagger de 53 cm

N° de modèle 20899—N° de série 315000001 et suivants

Form No. 3392-416 Rev A

Manuel de l'utilisateur

Introduction

Cette tondeuse autotractée à lame rotative est destinée au grand public. Elle est principalement conçue pour tondre les pelouses entretenues régulièrement dans les terrains privés. Elle n'est pas conçue pour couper les broussailles ni pour un usage agricole.

Lisez attentivement cette notice pour apprendre à utiliser et entretenir correctement votre produit, et éviter de l'endommager ou de vous blesser. Vous êtes responsable de l'utilisation sûre et correcte du produit.

Vous pouvez contacter Toro directement sur le site www.Toro.com pour tout renseignement sur les produits et accessoires, pour trouver un revendeur ou enregistrer votre produit.

Pour obtenir des prestations de service, des pièces Toro d'origine ou des renseignements complémentaires, munissez-vous des numéros de modèle et de série du produit et contactez un concessionnaire-réparateur ou le service client Toro agréé. La Figure Figure 1 indique l'emplacement des numéros de modèle et de série du produit.

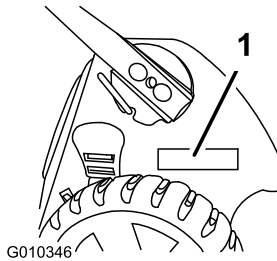


Figure 1

1. Plaque des numéros de modèle et de série

Notez les numéros de modèle et de série du produit dans l'espace ci-dessous :

N° de modèle _____
N° de série _____

Les mises en garde de ce manuel soulignent les dangers potentiels et sont signalées par le symbole de sécurité (Figure 2), qui indique un danger pouvant entraîner des blessures graves ou mortelles si les précautions recommandées ne sont pas respectées.



Figure 2

1. Symbole de sécurité

Ce manuel utilise deux termes pour faire passer des renseignements essentiels. **Important**, pour attirer l'attention sur des renseignements mécaniques spécifiques et **Remarque**, pour insister sur des renseignements d'ordre général méritant une attention particulière.

Ce produit est conforme à toutes les directives européennes pertinentes. Pour plus de renseignements, consultez la Déclaration de conformité spécifique au produit fournie séparément.

Couple net: Le couple brut ou net de ce moteur a été calculé en laboratoire par le constructeur du moteur selon la norme SAE J1940 de la Society of Automotive Engineers (SAE). Étant configuré pour satisfaire aux normes de sécurité, antipollution et d'exploitation, le moteur monté sur cette classe de tondeuse aura un couple effectif nettement inférieur. Allez sur le site www.Toro.com pour vérifier les spécifications de votre modèle.

Ne modifiez pas abusivement les commandes du moteur ni le réglage du régulateur de vitesse, au risque de compromettre le fonctionnement sûr de la machine et de causer des blessures.

Table des matières

- Introduction 1
- Sécurité 2
 - Sécurité générale de la tondeuse 2
 - Pression acoustique 4
 - Puissance acoustique 4
 - Vibrations au niveau des mains et des bras 5
 - Autocollants de sécurité et d'instruction 5
- Mise en service 6
 - 1 Dépliage du guidon 6
 - 2 Montage du câble du lanceur dans le guide 6
 - 3 Plein d'huile moteur 7
 - 4 Installation de l'obturateur de mulching ou du bac à herbe 7
 - 5 Montage du bac à herbe 9
- Vue d'ensemble du produit 10
 - Caractéristiques techniques 10
- Utilisation 10



Sécurité générale de la tondeuse

Cette machine peut sectionner les mains et les pieds, et projeter des objets. Des accidents graves ou mortels sont possibles si les consignes de sécurité suivantes ne sont pas respectées.

Apprendre à se servir de la machine

- Lisez attentivement les instructions. Familiarisez-vous avec les commandes et l'utilisation de la machine.
- Ne confiez jamais l'utilisation de la machine à des enfants, ni à des adultes n'ayant pas pris connaissance des instructions. Certaines législations imposent un âge minimum pour l'utilisation de ce type de machine.
- N'oubliez jamais que l'utilisateur est responsable de tout accident ou dommage causé aux autres personnes et à leurs possessions.
- Apprenez la signification de tous les symboles utilisés sur la machine ou dans les instructions.

Essence

ATTENTION – l'essence est très inflammable. Prenez les précautions suivantes :

- Conservez le carburant dans un récipient spécialement conçu à cet effet.
- Faites toujours le plein à l'extérieur, et ne fumez jamais durant cette opération.
- Faites le plein de carburant avant de mettre le moteur en marche. N'enlevez jamais le bouchon du réservoir de carburant et n'ajoutez jamais de carburant lorsque le moteur tourne ou qu'il est chaud.
- Si vous renversez de l'essence, ne mettez pas le moteur en marche. Éloignez la machine et évitez toute source possible d'inflammation jusqu'à dissipation complète des vapeurs d'essence.
- Refermez soigneusement tous les réservoirs et récipients contenant du carburant.

Avant d'utiliser la machine

- Portez toujours un pantalon et des chaussures solides à semelles antidérapantes pour travailler. N'utilisez pas la machine pieds nus ou chaussé de sandales.
- Inspectez soigneusement la zone de travail et enlevez tous les objets susceptibles d'être projetés par la machine (pierres, branches, câbles, etc.).
- Avant d'utiliser la machine, vérifiez toujours si les capots et les dispositifs de sécurité, comme les déflecteurs et/ou les bacs à herbe, sont en place et fonctionnent correctement.
- Avant d'utiliser la machine, vérifiez toujours que les lames, les boulons de lame et l'ensemble de coupe ne sont pas usés ou endommagés. Remplacez les boulons et les lames

Remplissage du réservoir de carburant	10
Contrôle du niveau d'huile moteur	11
Réglage de la hauteur de coupe	12
Réglage de la hauteur de la partie supérieure du guidon.....	12
Démarrage du moteur.....	13
Utilisation de la commande d'autopropulsion	13
Arrêt du moteur	13
Mulching.....	14
Ramassage de l'herbe coupée.....	14
Éjection latérale de l'herbe coupée	15
Conseils d'utilisation	16
Entretien	18
Programme d'entretien recommandé	18
Préparation à l'entretien.....	18
Entretien du filtre à air	18
Vidange de l'huile moteur	19
Lubrification de la partie supérieure du guidon.....	20
Réglage de l'autopropulsion	20
Remplacement de la lame	21
Nettoyage du dessous du carter de la machine	22
Remisage	23
Préparation de la machine au remisage	23
Pliage du guidon.....	23
Remise en service de la machine après remisage	24

Sécurité

Cette machine est conçue en conformité avec la norme EN ISO 5395:2013.

L'usage ou l'entretien incorrect de cette tondeuse peut occasionner des accidents. Pour réduire les risques, respectez les consignes de sécurité suivantes.

Toro a conçu et testé cette machine pour garantir un fonctionnement correct et sûr, à condition de respecter rigoureusement les consignes de sécurité qui suivent. Le non-respect de ces consignes peut causer des accidents.

Pour assurer une sécurité et un rendement optimaux, et apprendre à bien connaître le produit, vous-même et tout autre utilisateur de la machine, devez impérativement lire et comprendre le contenu de ce manuel avant même de mettre le moteur en marche. Tenez particulièrement compte des mises en garde signalées par le symbole de sécurité (Figure 2) et la mention Prudence, Attention ou Danger. Vous devez lire et bien comprendre ces directives car elles portent sur votre sécurité. Ne pas les respecter, c'est risquer de vous blesser.

usés ou endommagés par paires pour ne pas modifier l'équilibre.

Démarrage

- N'inclinez pas la machine lorsque vous démarrez le moteur, à moins que ce ne soit indispensable au démarrage. Dans ce cas, ne l'inclinez pas plus que nécessaire, et ne relevez que la partie éloignée de l'utilisateur.
- Mettez le moteur en marche avec précaution, conformément aux instructions, et n'approchez pas les pieds des lames ou de l'avant de l'éjecteur.

Utilisation

- Ne tondez jamais lorsque des personnes, et surtout des enfants ou des animaux familiers, se trouvent à proximité.
- Tondez uniquement à la lumière du jour ou avec un bon éclairage artificiel.
- Méfiez-vous des trous et autres dangers cachés de la zone de travail.
- N'approchez pas les mains ni les pieds des pièces en rotation. Ne vous tenez jamais devant l'ouverture d'éjection.
- Ne soulevez et ne portez jamais une tondeuse dont le moteur tourne.
- Soyez extrêmement prudent lorsque vous faites marche arrière ou quand vous tirez une machine à conducteur marchant vers vous.
- Marchez, ne courez pas.
- Pentes :
 - Ne tondez pas de pentes trop raides.
 - Soyez extrêmement prudent sur un terrain en pente.
 - Travaillez transversalement à la pente, jamais en montant ou en descendant et faites demi-tour avec la plus grande prudence.
 - Sur les terrains en pente, faites particulièrement attention de ne pas glisser.
- Ralentissez sur les pentes et dans les virages serrés pour ne pas perdre le contrôle de la machine ou la retourner.
- Arrêtez la lame avant d'incliner la machine pour traverser des surfaces non recouvertes d'herbe et pour la transporter d'une surface de travail à une autre.
- Ne faites pas tourner le moteur dans un espace clos où le monoxyde de carbone et autres gaz d'échappement, tous deux dangereux, risquent de s'accumuler.
- Arrêtez le moteur
 - avant de quitter la machine.
 - avant de faire le plein de carburant
 - avant de retirer le bac à herbe
 - avant de régler la hauteur de coupe, sauf si ce réglage peut se faire depuis la position d'utilisation.

- Coupez le moteur et débranchez le fil de la bougie.
 - avant de dégager ou déboucher l'éjecteur.
 - avant d'inspecter, de nettoyer ou d'effectuer toute opération sur la machine.
 - après avoir heurté un obstacle, vérifiez si la machine n'est pas endommagée et effectuez les réparations éventuellement nécessaires avant de la remettre en marche et de poursuivre l'utilisation.
 - si la machine se met à vibrer de manière inhabituelle (vérifiez immédiatement).
- La foudre peut causer des blessures graves ou mortelles. Si vous voyez des éclairs ou que vous entendez le tonnerre à proximité, n'utilisez pas la machine et mettez-vous à l'abri.
- Méfiez-vous de la circulation près des routes et pour traverser.

Entretien et remisage

- Gardez tous les écrous, boulons et vis toujours bien serrés pour garantir l'utilisation sûre de la machine.
- N'utilisez pas de matériel de nettoyage sous pression pour nettoyer la machine.
- S'il reste de l'essence dans le réservoir, ne remisez jamais la machine dans un local où les vapeurs peuvent rencontrer une flamme nue ou une étincelle.
- Laissez refroidir le moteur avant de ranger la machine dans un local fermé.
- Pour réduire les risques d'incendie, débarrassez le moteur, le silencieux, le bac à batterie et le lieu de stockage de l'essence de tout excès de graisse, débris d'herbe et feuilles.
- Vérifiez fréquemment l'état des composants du bac à herbe et du déflecteur d'éjection, et remplacez les pièces qui en ont besoin par des pièces recommandées par le constructeur.
- Remplacez les pièces usées ou endommagées pour éviter les accidents.
- Remplacez les silencieux défectueux.
- La vidange du réservoir de carburant doit impérativement s'effectuer à l'extérieur.
- Ne modifiez pas le réglage du régulateur et ne faites pas tourner le moteur en surrégime. Un régime moteur excessif peut augmenter les risques d'accidents et de blessures.
- Soyez prudent pendant le réglage de la machine pour éviter de vous coincer les doigts entre les lames en rotation et les pièces fixes de la machine.
- **Pour préserver le bon fonctionnement et la sécurité de la machine, n'utilisez que des pièces de rechange et des accessoires Toro d'origine. N'utilisez pas de pièces et accessoires génériques, car ils peuvent être dangereux.**

Transport

- Procédez avec prudence pour charger la machine sur une remorque ou un camion, ainsi que pour la décharger.
- Utilisez des rampes d'une seule pièce pour charger la machine sur une remorque ou un camion.
- Arrimez solidement la machine au moyen de sangles, chaînes, câbles ou cordes. Les sangles avant et arrière doivent être dirigées vers le bas et l'extérieur de la machine.

Pression acoustique

Cette machine produit au niveau de l'oreille de l'utilisateur une pression acoustique de 89 dBA, qui comprend une valeur d'incertitude (K) de 1 dBA.

La pression acoustique est déterminée en conformité avec les procédures énoncées dans la norme EN ISO 5395:2013.

Puissance acoustique

Cette machine a un niveau de puissance acoustique garanti de 98 dBA, qui comprend une valeur d'incertitude (K) de 1 dBA.

La puissance acoustique est déterminée en conformité avec les procédures énoncées dans la norme ISO 11094.

▲ PRUDENCE

L'exposition prolongée au bruit pendant l'utilisation de la machine peut entraîner des déficiences auditives.

Portez des protecteurs d'oreilles pour chaque utilisation prolongée de la machine.

Vibrations au niveau des mains et des bras

Niveau de vibrations mesuré pour la main droite = 3,8 m/s²

Niveau de vibrations mesuré pour la main gauche = 4,1 m/s²

Valeur d'incertitude (K) = 2,1 m/s²

Les valeurs mesurées sont déterminées en conformité avec les procédures énoncées dans la norme EN ISO 5395:2013.

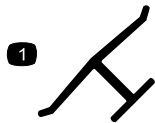
⚠ PRUDENCE

L'exposition prolongée aux vibrations pendant l'utilisation de la machine peut causer un engourdissement au niveau des mains et des poignets.

Portez des gants qui amortissent les vibrations pour chaque utilisation prolongée de la machine.

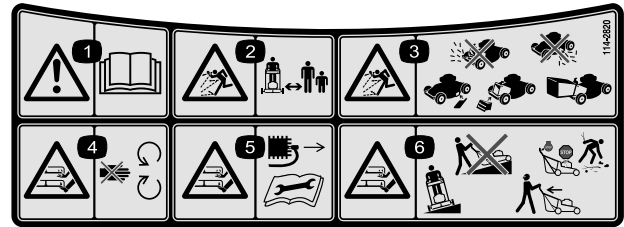
Autocollants de sécurité et d'instruction

Important: Les autocollants de sécurité et d'instruction sont placés près des endroits potentiellement dangereux. Remplacez les autocollants endommagés.



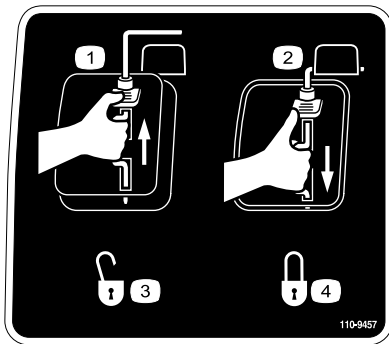
Marque du fabricant

1. Identifie la lame comme pièce d'origine.



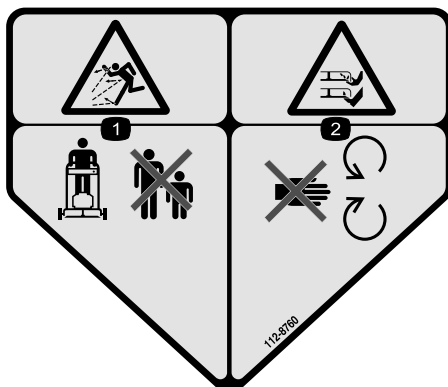
114-2820

1. Attention – lisez le *Manuel de l'utilisateur*.
2. Risque de projection d'objets – tenez les spectateurs à bonne distance de la machine.
3. Risque de projections – n'utilisez pas la tondeuse si l'obturateur de l'éjecteur arrière, le bac à herbe, le couvercle de l'éjecteur latéral ou le déflecteur ne sont pas en place.
4. Risque de coupure/mutilation des mains ou des pieds par la lame de la tondeuse – ne vous approchez pas des pièces mobiles.
5. Risque de coupure/mutilation des mains ou des pieds par la lame de la tondeuse – enlevez la clé de contact et lisez les instructions avant de procéder à l'entretien ou à des révisions.
6. Risque de coupure/mutilation des mains ou des pieds par la lame de la tondeuse – ne travaillez pas dans le sens de la pente, mais transversalement ; arrêtez le moteur avant de quitter la position d'utilisation et regardez derrière vous avant de faire marche arrière.



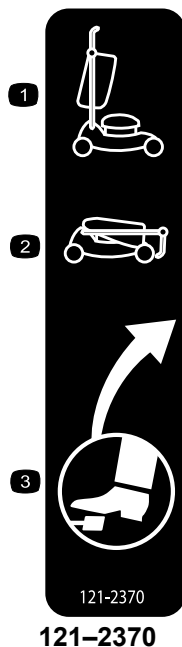
110-9457

1. Arrêt du moteur
2. Démarrage du moteur
3. Débloqué
4. Bloqué



112-8760

1. Risque de projection d'objets – tenez les spectateurs à bonne distance de la machine.
2. Risque de coupure/sectionnement des mains ou des pieds – ne vous approchez pas des pièces mobiles.



121-2370

- | | |
|-------------------|-------------------------------------|
| 1. Guidon relevé | 3. Emplacement de la pédale au pied |
| 2. Guidon abaissé | |

Mise en service

Important: Retirez et mettez au rebut la pellicule de plastique qui protège le moteur.



Dépliage du guidon

Aucune pièce requise

Procédure

1. Rabattez le guidon en arrière et maintenez la partie supérieure en place (Figure 3).

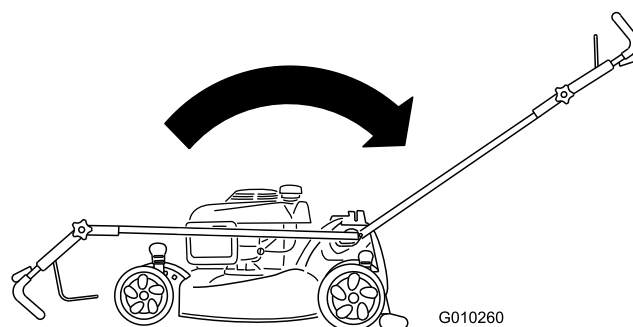


Figure 3

Remarque: Le guidon s'enclenche alors en position.

2. Serrez le bouton de la partie supérieure du guidon autant que possible (Figure 4).

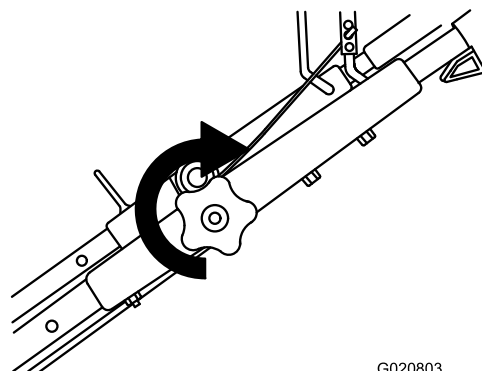


Figure 4

2

Montage du câble du lanceur dans le guide

Aucune pièce requise

Procédure

Important: Pour démarrer le moteur facilement et en toute sécurité chaque fois que vous utilisez la machine, placez le câble du lanceur dans le guide.

Tirez le câble du lanceur à travers le guide sur le guidon (Figure 5).

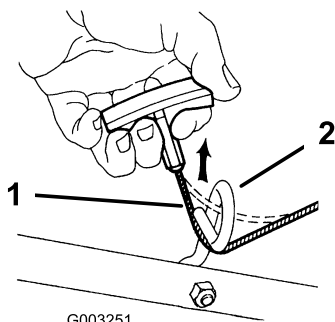


Figure 5

1. Câble du lanceur
2. Guide-câble

3

Plein d'huile moteur

Aucune pièce requise

Procédure

Important: Le carter moteur de cette machine est vide à la livraison. Remplissez le carter moteur d'huile avant de mettre le moteur en marche.

1. Amenez la machine sur un sol plat et horizontal.
2. Retirez la jauge (Figure 6) et versez de l'huile dans le tube de remplissage pour remplir le carter moteur aux 3/4.

Remarque: Remplissage maximum : 0,55 l, type : huile détergente SAE 30 de classe de service API SF, SG, SH, SJ, SL ou supérieure.

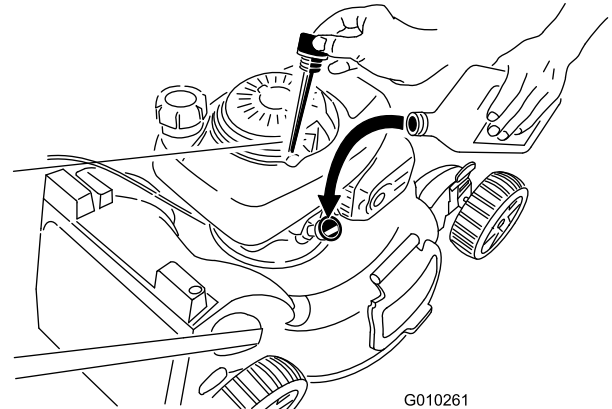
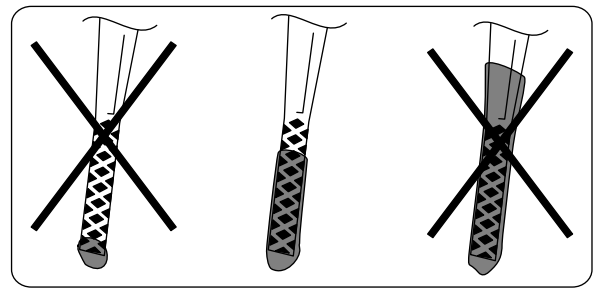


Figure 6

3. Essuyez la jauge sur un chiffon propre.
4. Insérez la jauge dans le tube de remplissage, **sans la visser**.
5. Sortez de nouveau la jauge et vérifiez le niveau d'huile ; voir Figure 6.
 - Si le niveau d'huile est trop bas, ajoutez lentement une petite quantité d'huile dans le tube de remplissage, patientez 3 minutes puis répétez les opérations 3 à 5 jusqu'à ce que le niveau d'huile soit correct, comme montré à la Figure 16.
 - Si le niveau d'huile est trop élevé, vidangez l'excédent d'huile jusqu'à ce que le niveau d'huile soit correct, comme montré à la Figure 16. Pour vidanger l'excédent d'huile, voir [Vidange de l'huile moteur \(page 19\)](#).
6. Insérez et vissez solidement la jauge dans le tube de remplissage.

Important: Si vous faites tourner le moteur alors que le niveau d'huile dans le carter est trop bas ou trop élevé, vous risquez d'endommager le moteur.

Important: Changez l'huile moteur après les 5 premières heures de fonctionnement, puis une fois par an. Voir [Vidange de l'huile moteur \(page 19\)](#).

4

Installation de l'obturateur de mulching ou du bac à herbe

Aucune pièce requise

Procédure

Montez correctement l'obturateur de mulching (pour le recyclage ou l'éjection latérale) ou le bac à herbe, sinon **le moteur ne pourra pas démarrer**.

La machine est équipée d'un contacteur de sécurité situé au fond d'un logement, en haut à droite à l'arrière de la machine. Il interdit le fonctionnement de la machine si elle n'est pas équipée de l'obturateur de mulching ou du bac à herbe. Cela évite la projection de débris en direction de l'utilisateur par l'ouverture arrière.

Pour que le contacteur détecte la présence de l'obturateur de mulching, le haut du levier de l'obturateur doit être **complètement en appui au fond du logement** (Figure 7).

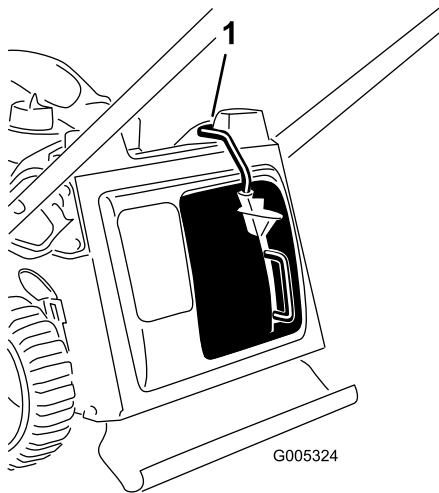


Figure 7

1. Haut de levier de l'obturateur de mulching dans le logement du contacteur

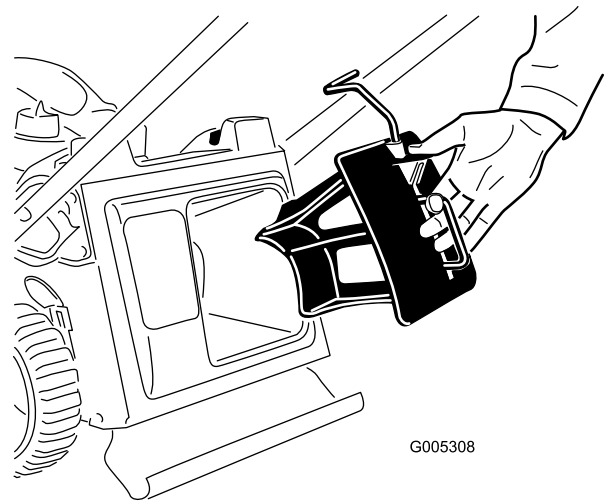


Figure 8

2. Appuyez sur le bouton du levier avec le pouce et insérez complètement l'obturateur de mulching dans l'ouverture (Figure 9).

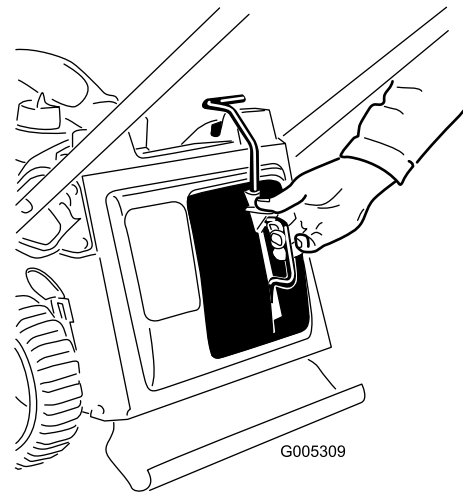


Figure 9

3. Relâchez le bouton sur le levier et vérifiez que le haut du levier est bien au fond du logement du contacteur (Figure 10). **La machine ne pourra pas démarrer si le levier ne se trouve pas dans le logement du contacteur !**

1. Si ce n'est déjà fait, insérez l'obturateur de mulching dans la machine (Figure 8).

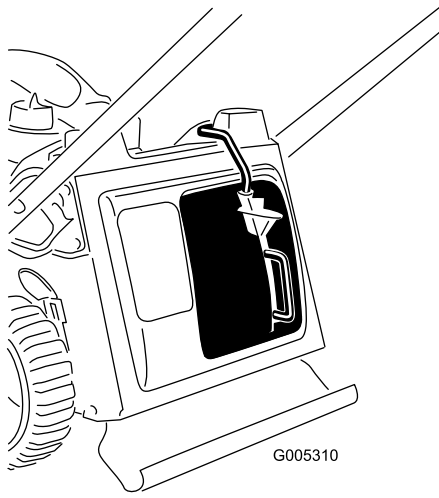


Figure 10

Remarque: Si le levier ne se verrouille pas correctement, débranchez la bougie et éliminez les débris éventuellement accumulés dans le logement.

2. Accrochez la glissière inférieure du bac au bas de l'armature (Figure 12).

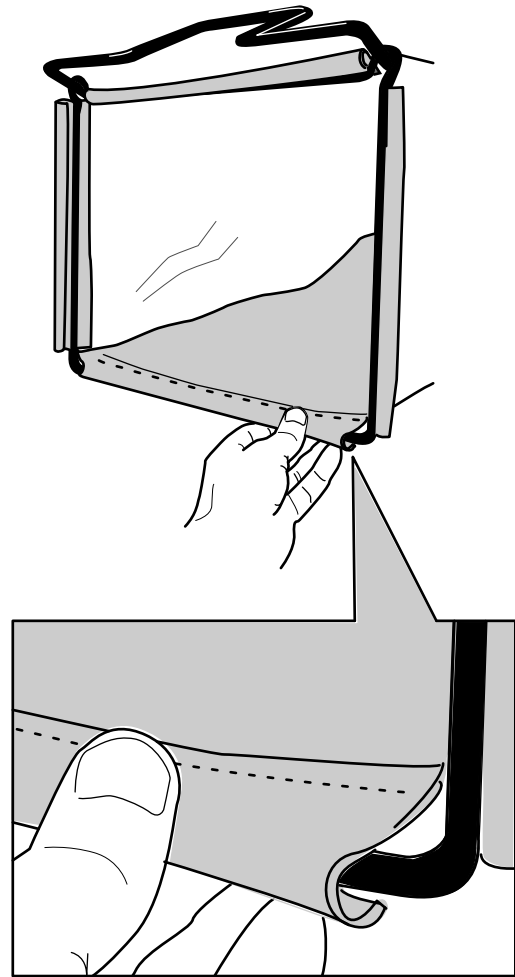


Figure 12

5

Montage du bac à herbe

Aucune pièce requise

Procédure

1. Glissez le bac sur l'armature, comme montré à la Figure 11.

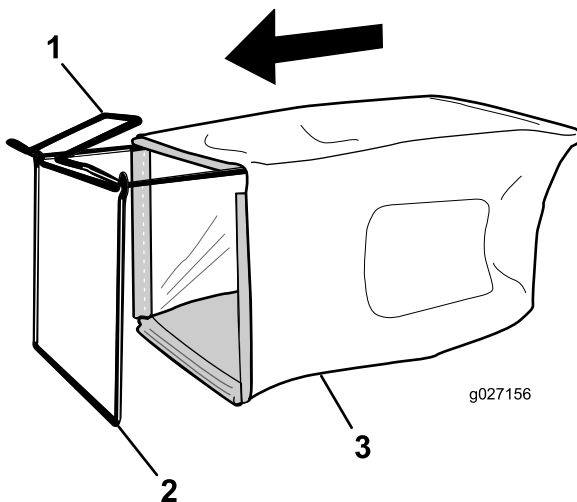


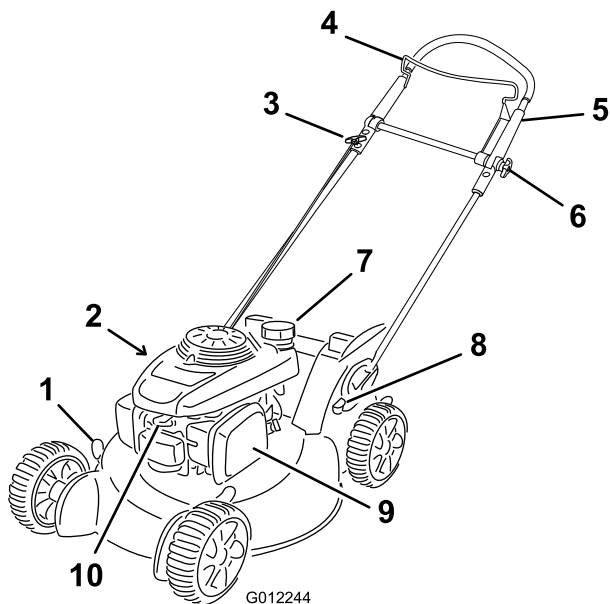
Figure 11

- | | |
|-------------|----------------|
| 1. Guidon | 3. Bac à herbe |
| 2. Armature | |

3. Accrochez les glissières supérieur et latérales du bac au sommet et sur les côté de l'armature respectivement (Figure 12).

Remarque: Ne faites pas passer le bac sur le guidon (Figure 11).

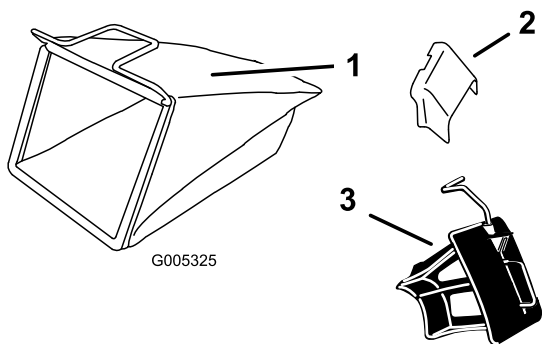
Vue d'ensemble du produit



G012244

Figure 13

- | | |
|---|---|
| 1. Levier de hauteur de coupe (4) | 6. Bouton de la partie supérieure du guidon |
| 2. Goulot de remplissage/jauge (non représenté) | 7. Bouchon du réservoir de carburant |
| 3. Poignée du lanceur | 8. Pédale |
| 4. Barre de commande de la lame | 9. Filtre à air |
| 5. Partie supérieure du guidon | 10. Bougie |



G005325

Figure 14

- | | |
|---------------------|--|
| 1. Bac à herbe | 3. Obturateur de mulching (déjà en place sur la machine) |
| 2. Éjecteur latéral | |

Caractéristiques techniques

Modèle	Poids	Longueur	Largeur	Hauteur
20897	36 kg	159 cm	56 cm	110 cm

Utilisation

Remplissage du réservoir de carburant

Carburant recommandé :

- Pour assurer le fonctionnement optimal de la machine, utilisez uniquement de l'essence sans plomb propre et fraîche (stockée depuis moins d'un mois) ayant un indice d'octane de 87 ou plus (méthode de calcul $(R+M)/2$).
- **Éthanol** : De l'essence contenant jusqu'à 10 % d'éthanol (essence-alcool) ou 15 % de MTBE (éther méthyltertiobutylique) par volume peut être utilisée. L'éthanol et le MTBE sont deux produits différents. L'utilisation d'essence contenant 15 % d'éthanol (E15) par volume n'est pas agréée. **N'utilisez jamais d'essence contenant plus de 10 % d'éthanol par volume**, comme E15 (qui contient 15 % d'éthanol), E20 (qui contient 20 % d'éthanol) ou E85 (qui contient jusqu'à 85 % d'éthanol). L'utilisation d'essence non agréée peut entraîner des problèmes de performances et/ou des dommages au moteur qui peuvent ne pas être couverts par la garantie.
- N'utilisez **pas** d'essence contenant du méthanol.
- Ne stockez **pas** le carburant dans le réservoir ou dans des bidons de carburant pendant l'hiver, à moins d'utiliser un stabilisateur de carburant.
- N'ajoutez **pas** d'huile à l'essence.

Important: Pour réduire les problèmes de démarrage, ajoutez un stabilisateur à chaque plein et utilisez de l'essence stockée depuis moins d'un mois ; laissez tourner le moteur jusqu'à ce qu'il s'arrête faute de carburant avant de remettre la machine pendant plus d'un mois de suite.

N'utilisez pas d'autres additifs de carburant qu'un stabilisateur/conditionneur. N'utilisez pas de stabilisateurs à base d'alcools tels que l'éthanol, le méthanol ou l'isopropanol.

▲ DANGER

L'essence est extrêmement inflammable et explosive. Un incendie ou une explosion causé(e) par de l'essence peut vous brûler, ainsi que les personnes se tenant à proximité.

- Pour éviter que l'électricité statique n'enflamme l'essence, posez le récipient et/ou la machine directement sur le sol, pas dans un véhicule ou sur un support quelconque, avant de remplir le réservoir.
- Faites le plein du réservoir de carburant à l'extérieur quand le moteur est froid. Essuyez le carburant éventuellement répandu.
- Ne fumez jamais en manipulant de l'essence et tenez-vous à l'écart des flammes nues ou des sources d'étincelles.
- Conservez l'essence dans un récipient homologué, hors de portée des enfants.
- Ne basculez pas la machine sur le côté si le réservoir de carburant n'est pas vide.

1. Nettoyez la surface autour du bouchon du réservoir de carburant et enlevez le bouchon (Figure 15).

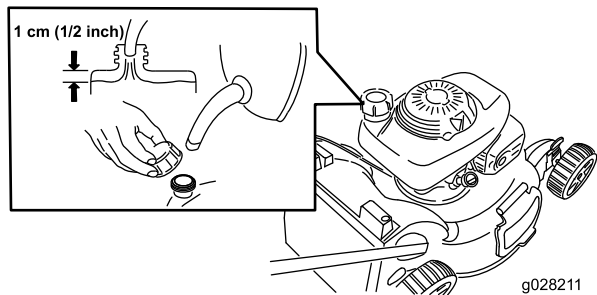


Figure 15

2. Remplissez le réservoir de carburant, en laissant un espace d'au moins 1 cm sous la base du goulot pour permettre à l'essence de se dilater.
3. Revissez solidement le bouchon du réservoir de carburant à la main.

Contrôle du niveau d'huile moteur

Périodicité des entretiens: À chaque utilisation ou une fois par jour

Remarque: Remplissage maximum : 0,55 l, type : huile détergente SAE 30 de classe de service API SF, SG, SH, SJ, SL ou supérieure.

1. Amenez la machine sur un sol plat et horizontal.

2. Retirez la jauge (Figure 16).

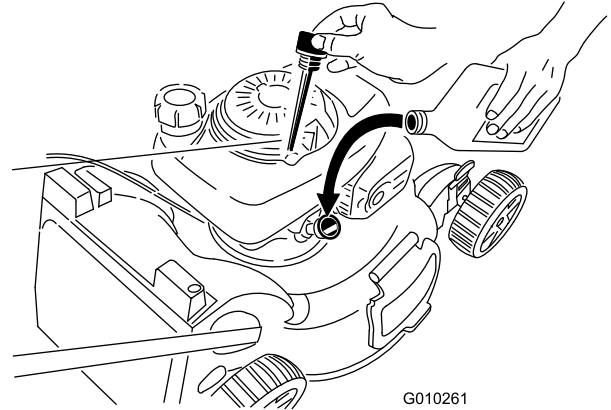
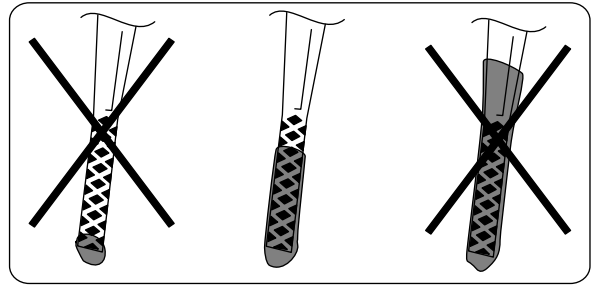


Figure 16

3. Essuyez la jauge sur un chiffon propre.
4. Insérez la jauge dans le tube de remplissage, **sans la visser**.
5. Sortez de nouveau la jauge et vérifiez le niveau d'huile ; voir Figure 16.
 - Si le niveau d'huile est trop bas, ajoutez lentement une petite quantité d'huile dans le tube de remplissage, patientez 3 minutes puis répétez les opérations 3 à 5 jusqu'à ce que le niveau d'huile soit correct, comme montré à la Figure 6.
 - Si le niveau d'huile est trop élevé, vidangez l'excédent d'huile jusqu'à ce que le niveau d'huile soit correct, comme montré à la Figure 6. Pour vidanger l'excédent d'huile, voir [Vidange de l'huile moteur \(page 19\)](#).
6. Insérez et vissez solidement la jauge dans le tube de remplissage.

Important: Si vous faites tourner le moteur alors que le niveau d'huile dans le carter est trop bas ou trop élevé, vous risquez d'endommager le moteur.

Réglage de la hauteur de coupe

⚠ ATTENTION

Pendant le réglage de la hauteur de coupe, vous risquez de toucher la lame en mouvement et de vous blesser gravement.

- Coupez le moteur et attendez l'arrêt de toutes les pièces mobiles.
- Ne vous approchez pas du silencieux encore chaud.
- Ne mettez pas les doigts sous le carter du plateau de coupe quand vous réglez la hauteur de coupe.

Choisissez la hauteur de coupe voulue. Réglez les roues avant à la même hauteur que les roues arrière (Figure 17).

Remarque: Pour élever la machine, déplacez tous les leviers de hauteur de coupe en avant ; pour abaisser la machine, ramenez les leviers en arrière.

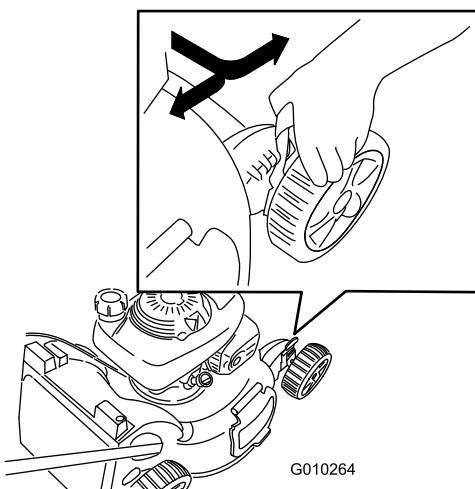


Figure 17

Remarque: Les hauteurs de coupe suivantes sont disponibles : 25 mm, 35 mm, 44 mm, 54 mm, 64 mm, 73 mm, 83 mm, 92 mm et 102 mm.

Réglage de la hauteur de la partie supérieure du guidon

Vous pouvez élever ou abaisser la partie supérieure du guidon à la position qui vous convient le mieux.

Remarque: La partie supérieure du guidon ne peut pas être plus haute que l'angle de la partie inférieure.

1. Desserrez le bouton de la partie supérieure du guidon (Figure 18).

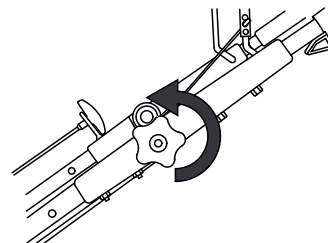


Figure 18

2. Placez la partie supérieure du guidon à la position voulue (Figure 19).

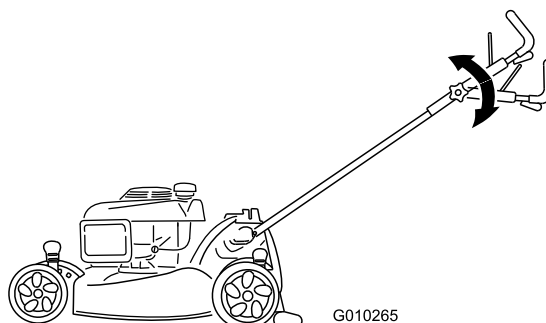


Figure 19

3. Serrez le bouton de la partie supérieure du guidon autant que possible (Figure 20).

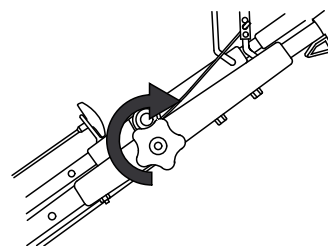


Figure 20

Démarrage du moteur

⚠ ATTENTION

La machine en marche est bruyante et peut causer des problèmes d'audition.

Portez des protecteurs d'oreilles.

Important: La machine est équipée d'un contacteur de sécurité qui l'empêche de démarrer si l'obturateur de mulching ou le bac à herbe n'est pas monté correctement.

1. Montez l'obturateur de mulching (Figure 21) ou le bac à herbe (Figure 22) sur la machine.

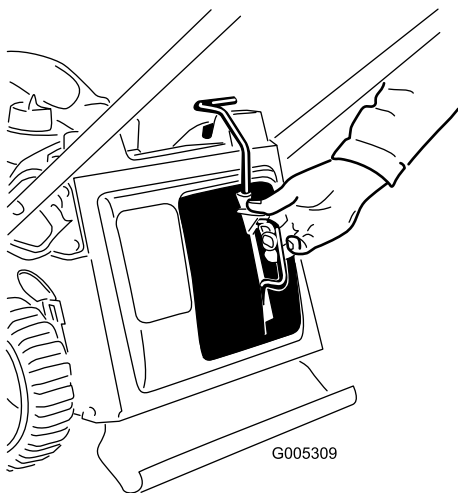


Figure 21

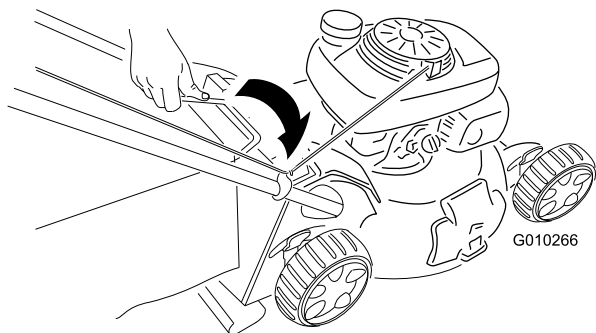


Figure 22

2. Tournez le levier du robinet d'arrivée de carburant en position ouverte (Figure 23).

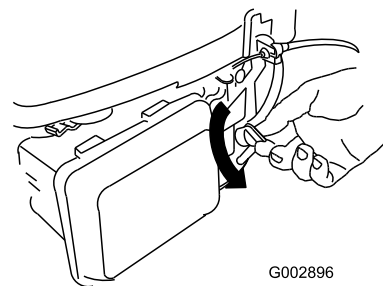


Figure 23

3. Maintenez la barre de commande de la lame contre le guidon et tirez sur la poignée du lanceur (Figure 24).

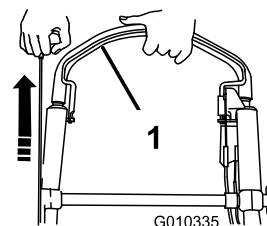


Figure 24

1. Barre de commande de la lame

Remarque: Si la machine ne démarre toujours pas, contactez un concessionnaire-réparateur agréé.

Utilisation de la commande d'autopropulsion

Pour actionner l'autopropulsion, il vous suffit d'avancer, les mains sur la partie supérieure du guidon et les coudes serrés ; la machine avance automatiquement à votre rythme.

Arrêt du moteur

Pour arrêter le moteur, relâchez la barre de commande de la lame (Figure 25).

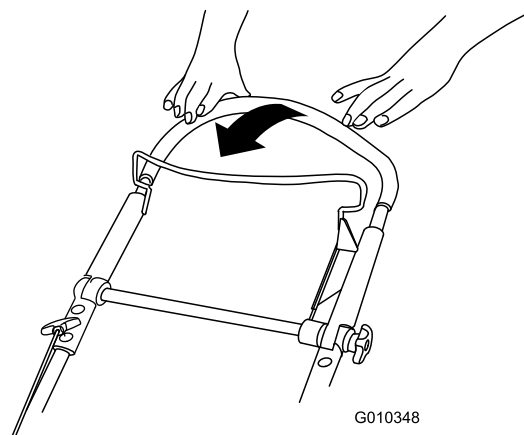


Figure 25

⚠ PRUDENCE

Lorsque vous relâchez la barre de commande de la lame, le moteur et la lame doivent s'arrêter en moins de 3 secondes. Si ce n'est pas le cas, cessez immédiatement d'utiliser la machine et adressez-vous à un concessionnaire-réparateur agréé.

Mulching

À la livraison, votre machine est prête au mulching, c'est-à-dire prête à déchiqueter l'herbe et les feuilles coupées pour nourrir votre pelouse.

Si le bac à herbe est monté sur la machine, retirez-le (voir [Retrait du bac à herbe \(page 15\)](#)) avant de procéder au mulching. Si l'éjecteur latéral est monté sur la machine, retirez-le et verrouillez le volet latéral (voir [Retrait de l'éjecteur latéral \(page 16\)](#)) avant le mulching des débris d'herbe coupée.

Important: La machine est équipée d'un contacteur de sécurité qui l'empêche de démarrer si l'obturateur de mulching n'est pas monté correctement ([Figure 26](#)).

Montez l'obturateur de mulching comme indiqué à la [Figure 26](#).

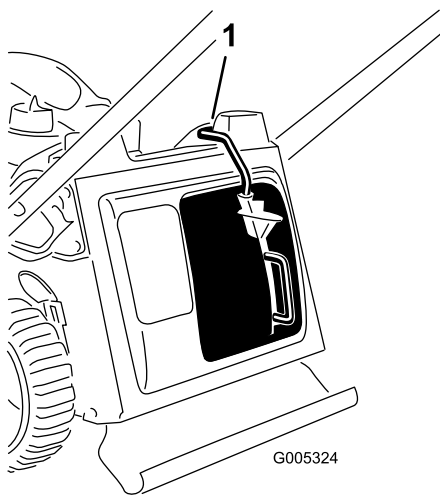


Figure 26

1. Haut de levier de l'obturateur de mulching dans le logement du contacteur

Ramassage de l'herbe coupée

Utilisez le bac à herbe pour recueillir les débris d'herbe et de feuilles déposés sur la pelouse.

⚠ ATTENTION

Si le bac de ramassage est usé, des gravillons ou autres débris similaires peuvent être projetés vers vous ou des personnes à proximité, et causer des blessures graves ou mortelles.

Contrôlez fréquemment le bac à herbe. S'il est endommagé, remplacez-le par un bac Toro neuf d'origine.

Si l'éjecteur latéral est monté sur la machine, retirez-le et verrouillez le volet latéral (voir [Retrait de l'éjecteur latéral \(page 16\)](#)) avant de ramasser les débris d'herbe coupée.

⚠ ATTENTION

La lame est tranchante et vous pouvez vous blesser gravement à son contact.

Coupez le moteur et attendez l'arrêt complet de toutes les pièces mobiles avant de quitter la position d'utilisation.

Montage du bac à herbe

1. Enlevez l'obturateur de mulching ([Figure 27](#)).

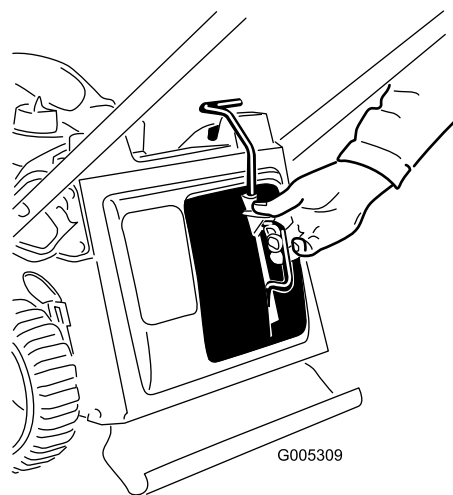


Figure 27

2. Faites passer le câble du lanceur autour du guide inférieur ([Figure 28](#)).

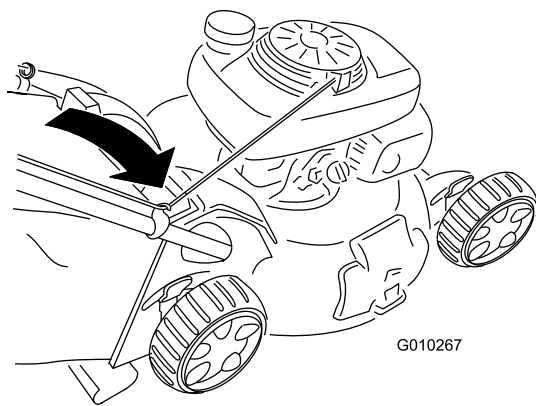


Figure 28

Remarque: Le guide inférieur libère le câble du lanceur quand vous tirez sur la poignée.

3. Insérez la poignée du bac à herbe dans les rainures en haut de la machine (Figure 29).

Important: La machine est équipée d'un contacteur de sécurité qui l'empêche de démarrer si le bac à herbe n'est pas monté correctement.

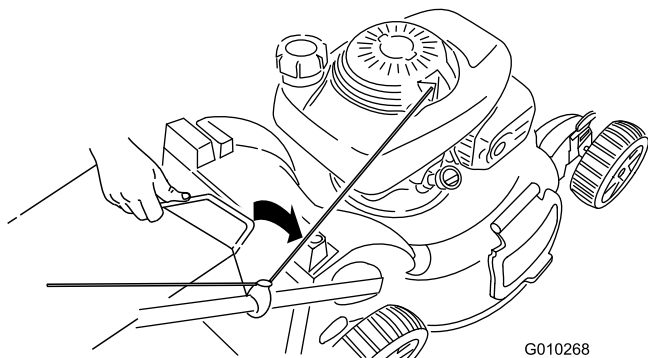


Figure 29

2. Soulevez le bac à herbe par la poignée pour le dégager des rainures en haut de la machine et le retirer (Figure 31).

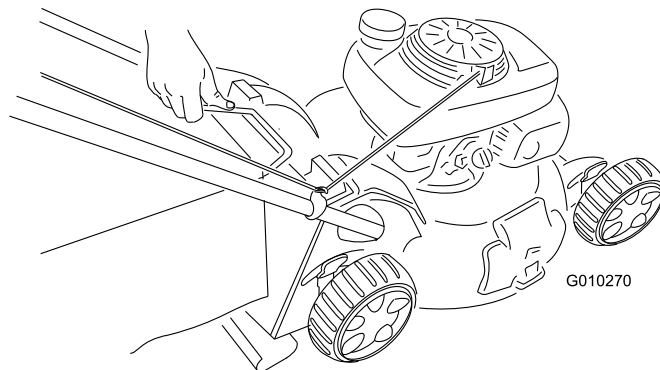


Figure 31

3. Insérez l'obturateur de mulching (Figure 32).

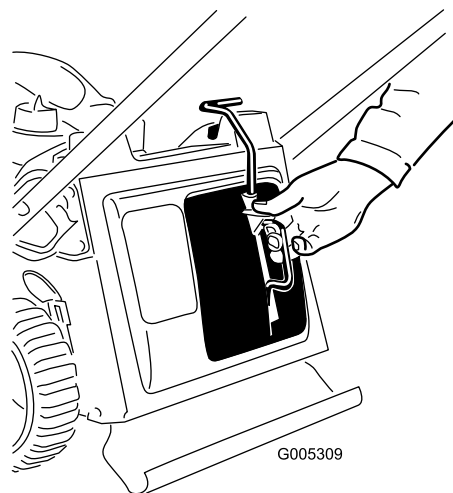


Figure 32

Retrait du bac à herbe

1. Faites passer le câble du lanceur autour du guide inférieur (Figure 30).

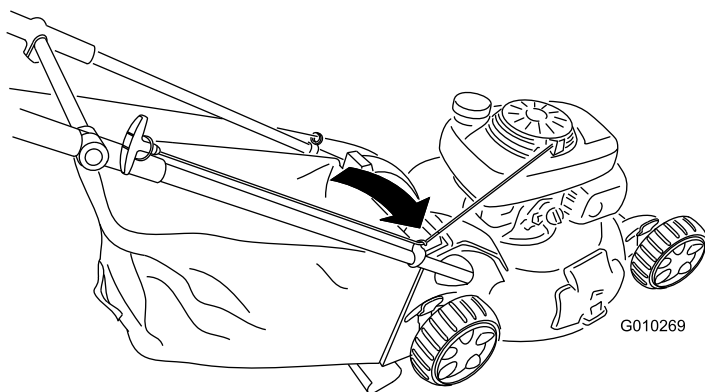


Figure 30

Éjection latérale de l'herbe coupée

Utilisez l'éjection latérale lorsque l'herbe est très haute.

Si le bac à herbe est monté sur la machine, enlevez-le avant de procéder à l'éjection latérale de l'herbe coupée ; voir [Retrait du bac à herbe](#) (page 15).

Important: La machine est équipée d'un contacteur de sécurité qui l'empêche de démarrer si l'obturateur de mulching n'est pas monté correctement ; voir [Mulching](#) (page 14).

Pose de l'éjecteur latéral

1. Déverrouillez le volet d'éjection latérale (Figure 33).

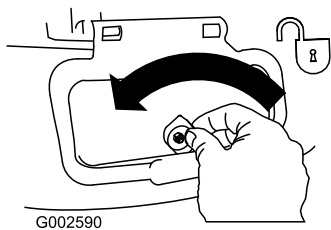


Figure 33

2. Soulevez et ouvrez le volet d'éjection latérale (Figure 34).

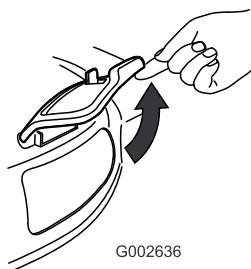


Figure 34

3. Montez l'éjecteur latéral et rabattez le volet sur l'éjecteur (Figure 35).

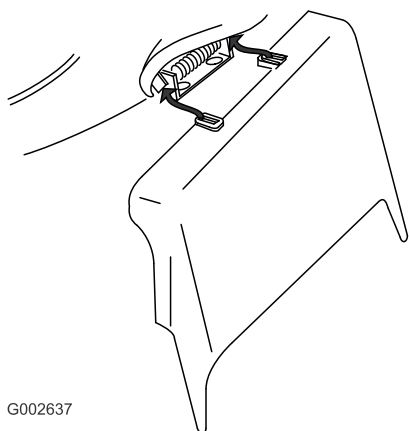


Figure 35

Retrait de l'éjecteur latéral

Pour retirer l'éjecteur latéral, inversez la procédure de montage décrite plus haut.

Important: Verrouillez le volet d'éjection latérale après l'avoir fermé (Figure 36).

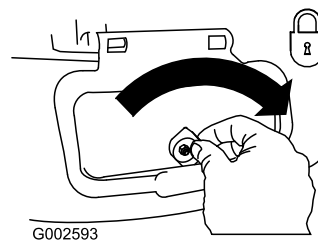


Figure 36

Conseils d'utilisation

La tonte

⚠ ATTENTION

Une lame faussée, endommagée ou desserrée peut se détacher de la machine et vous blesser ou blesser d'autres personnes.

- Débarrassez la zone de travail des branches, pierres, câbles, bâtons et autres débris qui pourraient être ramassés et projetés par la lame.
- Évitez de heurter des obstacles avec la lame. Ne passez jamais intentionnellement sur un objet quel qu'il soit.
- Si la machine a heurté un obstacle ou commence à vibrer, coupez immédiatement le moteur, débranchez la bougie et vérifiez si la machine n'est pas endommagée.
- Restez prudent lors du contrôle ou de l'entretien de la lame ; elle est tranchante et vous pourriez vous couper.
- Gardez le boulon de la lame bien serré et remplacez la lame au début de chaque saison par une lame Toro d'origine.
- Ne tondez l'herbe que sur un tiers de sa hauteur à chaque fois. N'utilisez pas une hauteur de coupe inférieure à 51 mm, sauf si l'herbe est clairsemée ou à la fin de l'automne quand la pousse commence à ralentir. Voir [Réglage de la hauteur de coupe \(page 12\)](#).
- Si l'herbe fait plus de 15 cm, effectuez un premier passage à vitesse réduite à la hauteur de coupe la plus haute. Effectuez ensuite un deuxième passage à une hauteur de coupe inférieure pour obtenir une coupe plus esthétique. L'herbe trop haute risque d'obstruer la machine et de faire caler le moteur.
- Ne tondez que si l'herbe ou les feuilles sont sèches. L'herbe et les feuilles humides ont tendance à s'agglomérer sur la pelouse et peuvent obstruer la machine et faire caler le moteur.

⚠ ATTENTION

En travaillant sur l'herbe ou les feuilles humides, vous risquez de glisser et de vous blesser gravement si vous touchez la lame en tombant. Ne tondez que si l'herbe est sèche.

- Soyez conscient des risques d'incendie par temps très sec, respectez tous les avertissements locaux relatifs aux incendies, et ne laissez pas l'herbe et les feuilles sèches s'accumuler sur la machine.
- Alternez la direction de la tonte. Cela permet de disperser les déchets plus uniformément et d'obtenir une fertilisation plus homogène.
- Si l'aspect de la pelouse tondu n'est pas satisfaisant, essayez une ou plusieurs des solutions suivantes :
 - Remplacez la lame ou faites-la aiguiser.
 - Tondez en avançant plus lentement.
 - Augmentez la hauteur de coupe.
 - Tondez plus souvent.
 - Empiétez sur les passages précédents pour tondre une largeur de bande réduite.
 - Réglez la hauteur de coupe des roues avant un cran en dessous de celle des roues arrière. Par exemple, réglez les roues avant à 51 mm et les roues arrière à 64 mm.

Hachage des feuilles

- Après la tonte, 50 % de la pelouse doit être visible sous la couche de feuilles hachées. Vous devrez peut-être repasser plusieurs fois sur les feuilles.
- Si la couche de feuilles fait plus de 13 cm d'épaisseur, réglez les roues avant 1 ou 2 crans plus haut que les roues arrière.
- Ralentissez la vitesse de déplacement si les feuilles ne sont pas hachées assez menues.

Entretien

Remarque: Les côtés gauche et droit de la machine sont déterminés d'après la position d'utilisation normale.

Programme d'entretien recommandé

Périodicité d'entretien	Procédure d'entretien
Après les 5 premières heures de fonctionnement	<ul style="list-style-type: none">• Vidangez l'huile moteur.
À chaque utilisation ou une fois par jour	<ul style="list-style-type: none">• Contrôlez le niveau d'huile moteur.• Vérifiez que le moteur s'arrête dans les 3 secondes suivant le relâchement de la barre de commande de la lame.• Vérifier l'état et la propreté du filtre à air et nettoyez-le ou remplacez-le au besoin.
Après chaque utilisation	<ul style="list-style-type: none">• Enlevez l'herbe coupée et autres débris accumulés sous le carter de la machine.
Avant le remisage	<ul style="list-style-type: none">• Vidangez le réservoir de carburant avant le remisage et avant les réparations qui le nécessitent.
Une fois par an	<ul style="list-style-type: none">• Nettoyez ou remplacez le filtre à air (plus souvent s'il y a beaucoup de poussière).• Vidangez l'huile moteur.• Lubrifiez la partie supérieure du guidon.• Remplacez la lame ou faites-la aiguiser (plus souvent si elle s'émousse rapidement).• Voir le Manuel de l'utilisateur du moteur pour toutes procédures d'entretien annuelles supplémentaires.

Important: Reportez-vous au manuel du propriétaire du moteur pour toutes procédures d'entretien supplémentaires.

Préparation à l'entretien

1. Coupez le moteur et attendez l'arrêt de toutes les pièces mobiles.
2. Débranchez le fil de la bougie (Figure 37) avant de procéder à un quelconque entretien.

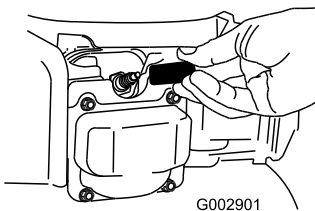


Figure 37

3. Rebranchez le fil de la bougie une fois l'entretien terminé.

Important: Avant de basculer la machine pour vidanger l'huile ou remplacer la lame, laissez le moteur en marche jusqu'à ce qu'il s'arrête faute de carburant. Si vous ne pouvez pas attendre que le moteur s'arrête par manque de carburant, utilisez une pompe manuelle pour vider le reste de carburant. Basculez toujours la machine sur le côté (jauge en bas).

⚠ ATTENTION

Du carburant peut s'échapper lorsque la machine est basculée sur le côté. L'essence est inflammable et explosive, et peut provoquer des blessures.

Laissez tourner le moteur jusqu'à ce qu'il s'arrête faute de carburant ou vidangez le reste d'essence avec une pompe manuelle, pas un siphon.

Entretien du filtre à air

Périodicité des entretiens: À chaque utilisation ou une fois par jour

Une fois par an

1. Appuyez sur les languettes de verrouillage en haut du couvercle du filtre à air (Figure 38).

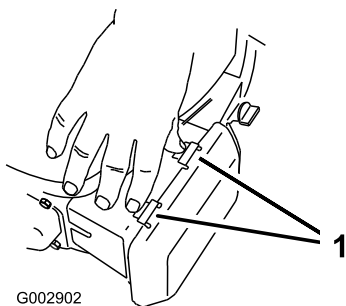


Figure 38

1. Languettes de verrouillage

2. Ouvrez le couvercle.
3. Retirez le filtre à air (Figure 39).

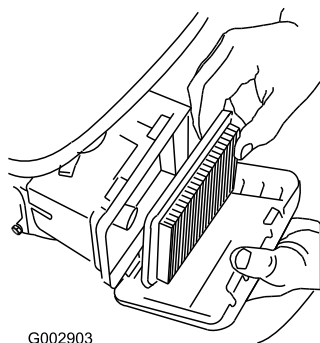


Figure 39

4. Remplacez le filtre à air s'il est endommagé ou humidifié par de l'huile ou de l'essence.
5. Si le filtre à air est encrassé, tapotez-le à plusieurs reprises sur une surface dure ou soufflez de l'air comprimé à moins de 2,07 bar par le côté du filtre qui est face au moteur.

Remarque: Ne brossez pas le filtre pour le débarrasser des impuretés, car cela aura pour effet d'incruster les impuretés dans les fibres.

6. Éliminer la poussière du corps et du couvercle du filtre à air au moyen d'un chiffon humide. **Ne faites pas pénétrer de poussière dans le conduit d'air.**
7. Posez l'élément filtrant dans le filtre à air.
8. Fermez le couvercle.

Vidange de l'huile moteur

Périodicité des entretiens: Après les 5 premières heures de fonctionnement

Une fois par an

1. Amenez la machine sur un sol plat et horizontal.
2. Vérifiez que le réservoir de carburant est pratiquement ou complètement vide pour éviter toute fuite de carburant quand vous couchez la machine sur le côté.

3. Faites tourner le moteur pendant quelques minutes avant la vidange pour réchauffer l'huile.

Remarque: L'huile chaude s'écoule plus facilement et entraîne plus d'impuretés.

4. Débranchez le fil de la bougie ; voir [Préparation à l'entretien](#) (page 18).
5. Placez un bac de vidange à côté de la machine, du côté le plus proche du tube de remplissage d'huile.
6. Retirez la jauge de niveau du tube de remplissage (Figure 40).

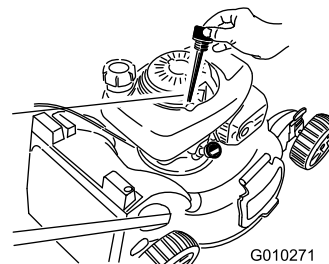


Figure 40

7. Basculez la machine sur le côté, tube de remplissage en bas, pour vidanger l'huile usagée dans le bac de vidange par le tube de remplissage (Figure 41).

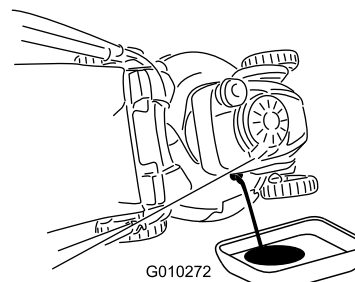


Figure 41

8. Redressez la machine après avoir vidangé l'huile usagée.
9. Versez environ 3/4 de la capacité d'huile totale dans le carter moteur.

Remarque: Remplissage maximum : 0,55 l, type : huile détergente SAE 30 de classe de service API SF, SG, SH, SJ, SL ou supérieure.

10. Essayez la jauge sur un chiffon propre.
11. Insérez la jauge dans le tube de remplissage, **sans la visser.**
12. Sortez de nouveau la jauge et vérifiez le niveau d'huile (Figure 42).

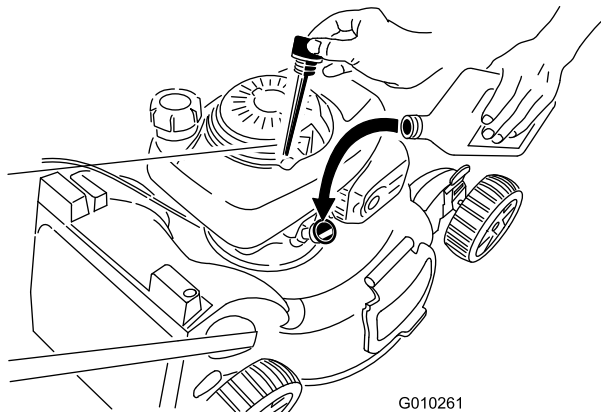
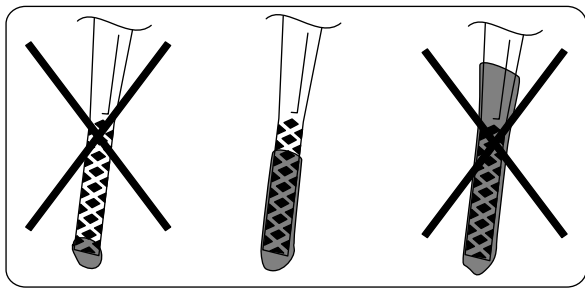


Figure 42

- Si le niveau d'huile est trop bas, ajoutez lentement une petite quantité d'huile dans le tube de remplissage, patientez 3 minutes puis répétez les opérations 10 à 12 jusqu'à ce que le niveau d'huile atteigne le repère **maximum** sur la jauge.
- Si le niveau d'huile est trop élevé, vidangez l'excédent d'huile jusqu'à ce que le niveau d'huile soit correct, comme montré à la Figure 42.

Important: Si vous faites tourner le moteur alors que le niveau d'huile dans le carter est trop bas ou trop élevé, vous risquez d'endommager le moteur.

13. Insérez et vissez solidement la jauge dans le tube de remplissage.
14. Débarrassez-vous correctement de l'huile usagée en la déposant dans un centre de recyclage agréé.

Lubrification de la partie supérieure du guidon

Périodicité des entretiens: Une fois par an

Pulvérisez les côtés droit et gauche de la partie supérieure du guidon avec un lubrifiant au silicone basse viscosité.

1. Pulvérisez l'extrémité en plastique extérieure de la poignée intérieure (Figure 43).

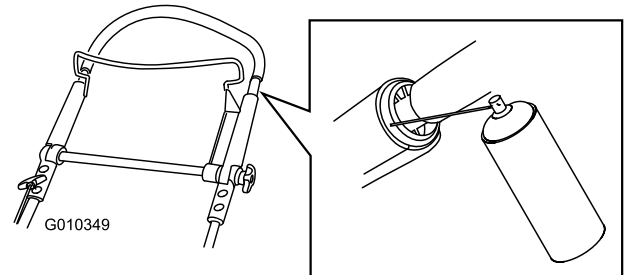


Figure 43

Remarque: Pour diriger le jet avec précision, utilisez la paille fournie avec la bombe.

2. Abaissez complètement la partie supérieure du guidon et pulvérisez la surface en plastique intérieure de la poignée extérieure (Figure 44).

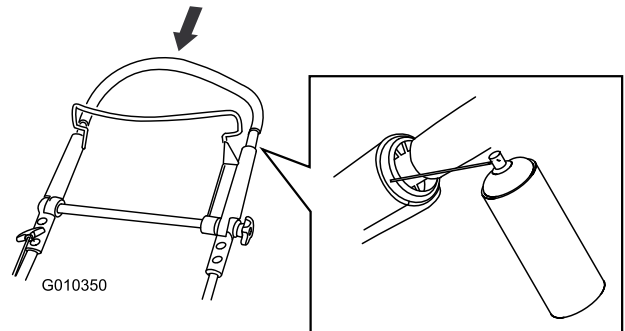


Figure 44

Réglage de l'autopropulsion

Si votre machine n'avance pas correctement, réglez le câble de commande d'autopropulsion.

1. Desserrez l'écrou sur le support du câble (Figure 45).

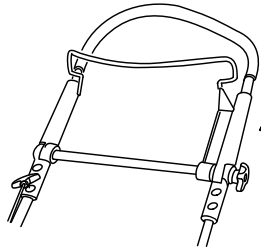
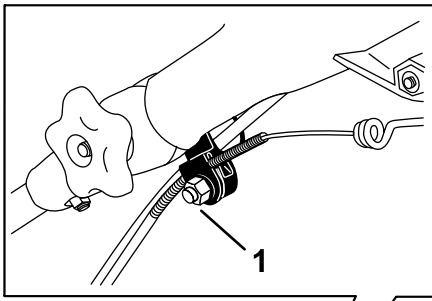


Figure 45

G010351

1. Support du câble

2. Tirez la partie supérieure du guidon complètement en arrière.

Remarque: Si le guidon ne se déplace pas facilement, voir [Lubrification de la partie supérieure du guidon](#) (page 20).

3. Tirez la gaine du câble vers le bas jusqu'à ce qu'il n'y ait plus de mou dans le câble exposé (Figure 46).

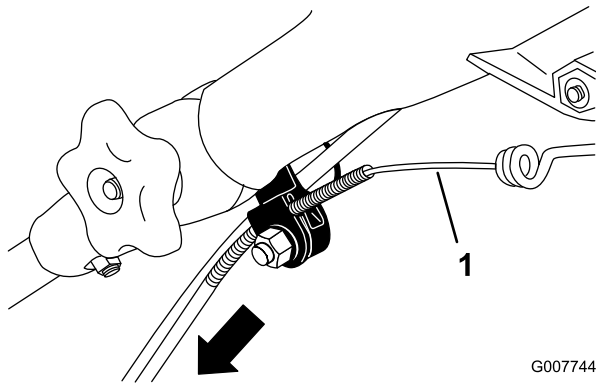


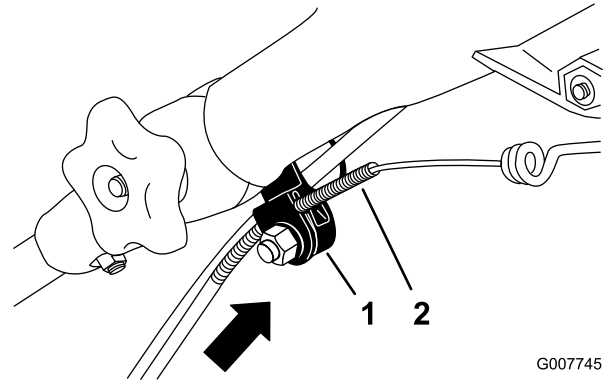
Figure 46

G007744

1. Câble exposé

4. Remontez la gaine du câble de 3 mm.

Remarque: Vous pouvez placer une règle graduée contre la face supérieure du support de câble noir et mesurer le déplacement de l'extrémité supérieure de la gaine (Figure 47).



G007745

Figure 47

1. Support du câble
2. Gaine du câble

Important: La vitesse de déplacement de la machine diminue quand vous remontez la gaine et augmente quand vous l'abaissez.

5. Serrez fermement l'écrou.
6. Démarrez la tondeuse et contrôlez le réglage.

Remarque: Si l'autopropulsion n'est pas réglée correctement, répétez cette procédure.

Remplacement de la lame

Périodicité des entretiens: Une fois par an

Important: Vous aurez besoin d'une clé dynamométrique pour monter la lame correctement. Si vous n'en possédez pas ou si vous ne sentez pas être capable d'effectuer cette procédure, adressez-vous à un concessionnaire-réparateur agréé.

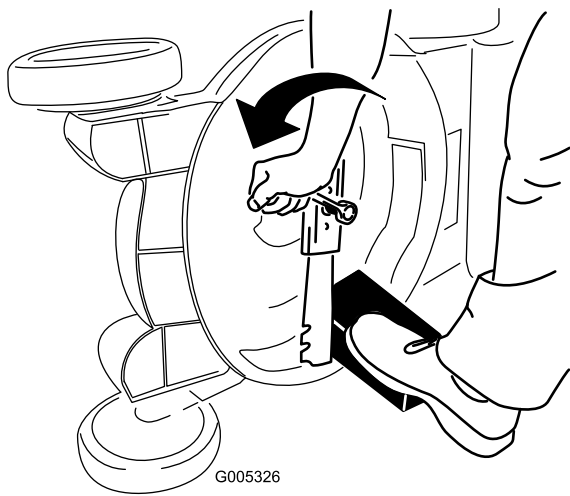
Examinez l'état de la lame chaque fois que le réservoir d'essence est vide. Si la lame est endommagée ou fêlée, remplacez-la immédiatement. Si la lame est émoussée ou ébréchée, faites-la aiguiser et équilibrer ou remplacez-la.

⚠ ATTENTION

La lame est tranchante et vous pouvez vous blesser gravement à son contact.

Portez des gants pour effectuer l'entretien de la lame.

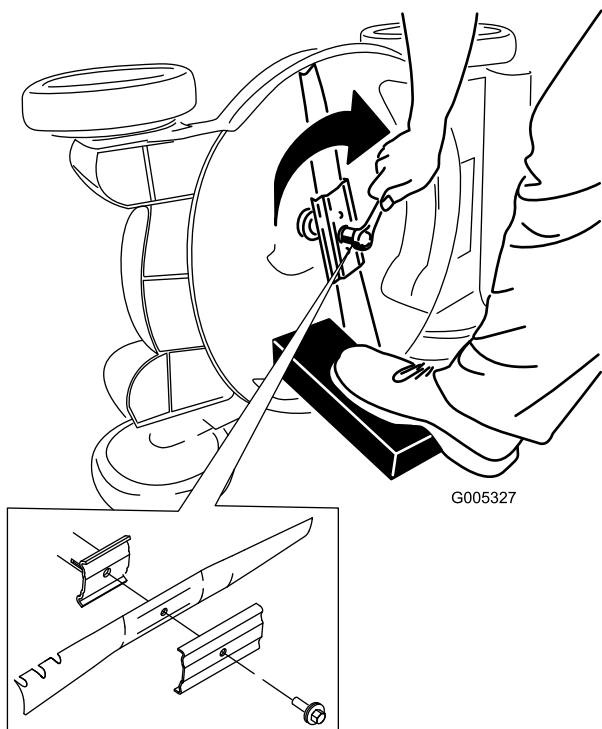
1. Débranchez le fil de la bougie. Voir [Préparation à l'entretien](#) (page 18).
2. Basculez la machine sur le côté, avec la jauge en bas.
3. Immobilisez la lame avec un morceau de bois (Figure 48).



G005326

Figure 48

4. Déposez la lame mais ne jetez pas les fixations (Figure 48).
5. Montez la nouvelle lame et toutes les fixations (Figure 49).



G005327

Figure 49

Important: Les extrémités relevées de la lame doivent être dirigées vers la tondeuse.

6. À l'aide d'une clé dynamométrique, serrez le boulon de la lame à 82 Nm.

Important: Un boulon vissé à 82 Nm est très serré. Bloquez la lame avec une cale en bois, appuyez de tout votre poids sur le rochet ou la clé, et serrez le boulon solidement. Il est pratiquement impossible de trop serrer ce boulon.

Nettoyage du dessous du carter de la machine

Périodicité des entretiens: Après chaque utilisation

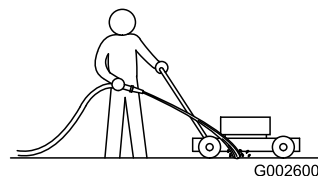
⚠ ATTENTION

Des débris peuvent être projetés de sous le carter de la machine.

- Portez une protection oculaire.
- Restez à la position d'utilisation (derrière le guidon) quand le moteur est en marche.
- Ne laissez personne pénétrer dans la zone de travail.

Pour obtenir des résultats optimaux, nettoyez rapidement le carter de la machine après la tonte.

1. Abaissez la machine à la hauteur de coupe la plus basse ; voir [Réglage de la hauteur de coupe](#) (page 12).
2. Placez la machine sur une surface plate et revêtue.
3. Mettez le moteur en marche et engagez la lame, puis dirigez un jet d'eau devant la roue arrière droite (Figure 19).



G002600

Figure 50

Remarque: L'eau éclaboussera en direction de la lame et enlèvera les brins d'herbe agglomérés.

4. Lorsqu'il ne reste plus d'herbe sur la lame, arrêtez l'eau et amenez la machine à un endroit sec.
5. Laissez tourner le moteur quelques minutes avec la lame engagée pour sécher le carter et l'empêcher de rouiller.

Remisage

Remisez la machine dans un local frais, propre et sec.

Préparation de la machine au remisage

⚠ ATTENTION

Les vapeurs d'essence sont explosives.

- Ne conservez pas l'essence plus d'un mois.
- Ne remisez pas la machine dans un local fermé où se trouve une flamme nue.
- Laissez refroidir le moteur avant de remiser la machine.

1. Lors du dernier plein de la saison, ajoutez un stabilisateur au carburant selon les instructions du constructeur du moteur.
2. Débarrassez-vous correctement du carburant inutilisé. Recyclez-le conformément à la réglementation locale ou utilisez-le dans une voiture.

Remarque: La présence de carburant trop vieux dans le réservoir est la principale cause des problèmes de démarrage. Ne conservez pas le carburant non traité plus de 30 jours et le carburant traité plus de 90 jours.

3. Laissez tourner le moteur de la machine jusqu'à ce qu'il s'arrête faute de carburant.
4. Remettez le moteur en marche.
5. Laissez tourner le moteur jusqu'à ce qu'il s'arrête. Le moteur est suffisamment sec lorsqu'il n'y a plus moyen de le faire démarrer.
6. Débranchez le fil de la bougie.
7. Retirez la bougie et versez 30 ml d'huile dans l'orifice. Tirez ensuite la poignée du lanceur lentement à plusieurs reprises pour bien répartir l'huile à l'intérieur du cylindre et empêcher celui-ci de rouiller pendant le remisage de la machine.
8. Reposez la bougie sans la serrer.
9. Serrez tous les écrous, boulons et vis.

Pliage du guidon

Position verticale

1. Appuyez sur la pédale et maintenez-la enfoncée (Figure 51).

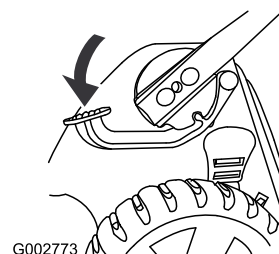


Figure 51

2. Amenez le guidon à la position verticale (Figure 52).

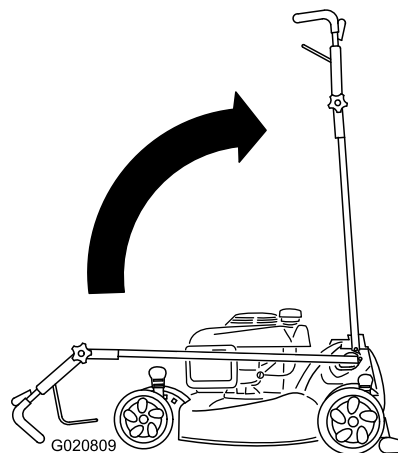


Figure 52

Position repliée vers l'avant

1. Lorsque le guidon est en position verticale, appuyez sur la pédale et maintenez-la enfoncée.
2. Repliez le guidon complètement vers l'avant et desserrez le bouton de la partie supérieure du guidon (Figure 53).

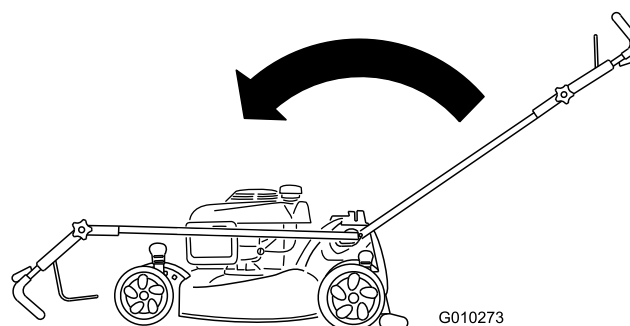


Figure 53

3. Pour déplier le guidon, voir 1 Dépliage du guidon (page 6).

Remise en service de la machine après remisage

1. Contrôlez et resserrez toutes les fixations.
2. Déposez la bougie et faites tourner le moteur rapidement en tirant sur la poignée du lanceur pour éliminer l'excédent d'huile dans le cylindre.
3. Reposez et serrez la bougie à 20 Nm à l'aide d'une clé dynamométrique.
4. Procédez aux entretiens voir ; [Entretien \(page 18\)](#).
5. Vérifiez le niveau d'huile moteur ; voir [Contrôle du niveau d'huile moteur \(page 11\)](#).
6. Remplissez le réservoir de carburant d'essence neuve ; voir [Remplissage du réservoir de carburant \(page 10\)](#).
7. Rebranchez le fil de la bougie.

Remarques:

Remarques:

Liste des distributeurs internationaux

Distributeur :	Pays :	Numéro de téléphone :	Distributeur :	Pays :	Numéro de téléphone :
Agrolanc Kft	Hongrie	36 27 539 640	Maquiver S.A.	Colombie	57 1 236 4079
Balama Prima Engineering Equip.	Hong Kong	852 2155 2163	Maruyama Mfg. Co. Inc.	Japon	81 3 3252 2285
B-Ray Corporation	Corée	82 32 551 2076	Mountfield a.s.	République tchèque	420 255 704 220
Casco Sales Company	Puerto Rico	787 788 8383	Mountfield a.s.	Slovaquie	420 255 704 220
Ceres S.A.	Costa Rica	506 239 1138	Munditol S.A.	Argentine	54 11 4 821 9999
CSSC Turf Equipment (pvt) Ltd.	Sri Lanka	94 11 2746100	Norma Garden	Russie	7 495 411 61 20
Cyril Johnston & Co.	Irlande du Nord	44 2890 813 121	Oslinger Turf Equipment SA	Équateur	593 4 239 6970
Cyril Johnston & Co.	République d'Irlande	44 2890 813 121	Oy Hako Ground and Garden Ab	Finlande	358 987 00733
Equiver	Mexique	52 55 539 95444	Parkland Products Ltd.	Nouvelle-Zélande	64 3 34 93760
Femco S.A.	Guatemala	502 442 3277	Perfetto	Pologne	48 61 8 208 416
ForGarder OU	Estonie	372 384 6060	Pratoverde SRL.	Italie	39 049 9128 128
G.Y.K. Company Ltd.	Japon	81 726 325 861	Prochaska & Cie	Autriche	43 1 278 5100
Geomechaniki of Athens	Grèce	30 10 935 0054	RT Cohen 2004 Ltd.	Israël	972 986 17979
Golf international Turizm	Turquie	90 216 336 5993	Riversa	Espagne	34 9 52 83 7500
Guandong Golden Star	Chine	86 20 876 51338	Lely Turfcare	Danemark	45 66 109 200
Hako Ground and Garden	Suède	46 35 10 0000	Solvert S.A.S.	France	33 1 30 81 77 00
Hako Ground and Garden	Norvège	47 22 90 7760	Spypros Stavrinides Limited	Chypre	357 22 434131
Hayter Limited (U.K.)	Royaume-Uni	44 1279 723 444	Surge Systems India Limited	Inde	91 1 292299901
Hydroturf Int. Co Dubai	Émirats Arabes Unis	97 14 347 9479	T-Markt Logistics Ltd.	Hongrie	36 26 525 500
Hydroturf Egypt LLC	Egypte	202 519 4308	Toro Australia	Australie	61 3 9580 7355
Irrimac	Portugal	351 21 238 8260	Toro Europe NV	Belgique	32 14 562 960
Irrigation Products Int'l Pvt Ltd.	Inde	0091 44 2449 4387	Valtech	Maroc	212 5 3766 3636
Jean Heybroek b.v.	Pays-Bas	31 30 639 4611	Victus Emak	Pologne	48 61 823 8369

Déclaration de confidentialité européenne

Les renseignements recueillis par Toro

Toro Warranty Company (Toro) respecte votre vie privée. Pour nous permettre de traiter votre réclamation au titre de la garantie et de vous contacter dans l'éventualité d'un rappel de produit, nous vous prions de nous communiquer certains renseignements personnels soit directement soit par l'intermédiaire d'un concessionnaire Toro.

Le système de garantie de Toro est hébergé sur des serveurs situés aux États-Unis où la loi relative à la protection de la vie privée n'offre pas forcément la même protection que dans votre pays.

EN NOUS FOURNISSANT DES RENSEIGNEMENTS PERSONNELS VOUS CONCERNANT, VOUS CONSENTEZ À CE QUE NOUS TRAITONS VOS RENSEIGNEMENTS PERSONNELS COMME DÉCRIT DANS CET AVIS DE CONFIDENTIALITÉ.

L'utilisation des renseignements par Toro

Toro peut utiliser vos renseignements personnels pour traiter vos réclamations au titre de la garantie et vous contacter dans l'éventualité d'un rappel de produit, ainsi que pour vous communiquer toute information nécessaire. Toro pourra partager les renseignements personnels que vous lui aurez communiqués avec les filiales, concessionnaires ou autres associés Toro en rapport avec ces activités. Nous ne vendrons vos renseignements personnels à aucune autre société. Nous nous réservons le droit de divulguer des renseignements personnels afin de satisfaire aux lois applicables et aux demandes des autorités concernées, pour assurer l'utilisation correcte de nos systèmes ou votre protection et celle d'autres usagers.

Conservation de vos renseignements personnels

Nous conserverons vos renseignements personnels uniquement pendant la durée nécessaire pour répondre aux fins pour lesquelles nous les avons collectés ou autres fins légitimes (comme la conformité réglementaire), ou conformément à la loi en vigueur.

Engagement de Toro relatif à la sécurité de vos renseignements personnels

Nous prenons toutes les précautions raisonnables pour protéger la sécurité de vos renseignements personnels. Nous prenons également les mesures nécessaires pour que vos renseignements personnels restent exacts et à jour.

Consultation et correction de vos renseignements personnels

Si vous souhaitez vérifier ou corriger vos renseignements personnels, veuillez nous contacter par courriel à legal@toro.com.

Droits des consommateurs australiens

Les clients australiens trouveront les détails relatifs aux droits des consommateurs australiens à l'intérieur du carton ou auprès de leur concessionnaire Toro local.



La garantie Toro et

Produits grand-public

La garantie de démarrage Toro (GTS)

Conditions et produits couverts

The Toro Company et sa filiale, Toro Warranty Company, en vertu d'un accord mutuel, s'engagent conjointement à réparer, pour l'acheteur d'origine¹, le Produit Toro listé ci-dessous en cas de défaut de matériau ou vice de fabrication, ou si le moteur Toro GTS (Garantie de démarrage) ne démarre pas dès le premier ou le deuxième essai, à condition que l'entretien courant requis dans le *Manuel de l'utilisateur* ait été effectué.

Durées de la garantie à partir de la date d'achat :

Produits	Période de garantie
Tondeuses autotractées	
• Plateau moulé	5 ans (usage résidentiel) ² 90 jours (usage commercial)
• Moteur	Garantie de démarrage GTS de 5 ans, Usage résidentiel ³
• Batterie	2 ans
• Plateau acier	2 ans (usage résidentiel) ² 30 jours (usage commercial)
• Moteur	Garantie de démarrage GTS de 2 ans, Usage résidentiel ³
Tondeuses TimeMaster	
• Moteur	3 ans (usage résidentiel) ² 90 jours (usage commercial)
• Batterie	Garantie de démarrage GTS de 3 ans, Usage résidentiel ³
Produits électriques à main et tondeuses autotractées	2 ans, usage résidentiel ² Pas de garantie pour usage commercial
Souffleuses à neige	
• Monophasé	2 ans (usage résidentiel) ² 45 jours (usage commercial)
• Moteur	Garantie de démarrage GTS de 2 ans, Usage résidentiel ³
• Deux phases	3 ans (usage résidentiel) ² 45 jours (usage commercial)
• Éjecteur, déflecteur d'éjecteur et couvercle de carter de turbine	À vie (propriétaire d'origine uniquement) ⁵
Souffleuses à neige électriques	2 ans (usage résidentiel) ² Pas de garantie pour usage commercial
Toutes les tondeuses autoportées ci-dessous	
• Moteur	Voir la garantie constructeur du moteur ⁴
• Batterie	2 ans (usage résidentiel) ²
• Accessoires	2 ans (usage résidentiel) ²
Tracteurs de jardin et tondeuses autoportées DH	2 ans (usage résidentiel) ² 30 jours (usage commercial)
Tracteurs de jardin et tondeuses autoportées XLS	3 ans (usage résidentiel) ² 30 jours (usage commercial)
TimeCutter	3 ans (usage résidentiel) ² 30 jours (usage commercial)
Tondeuses TITAN	
• Cadre	3 ans ou 240 heures ⁵ À vie (propriétaire d'origine uniquement) ⁶

¹Le terme « acheteur d'origine » signifie la première personne qui s'est portée acquéreur du produit Toro.

²L'usage résidentiel désigne l'utilisation du produit sur le terrain où se trouve votre domicile. L'utilisation dans d'autres lieux est considérée comme un usage commercial, couvert par une garantie limitée.

³La garantie de démarrage (GTS) Toro ne s'applique pas si le produit est utilisé à des fins commerciales.

⁴Certains moteurs utilisés sur les produits Toro sont couverts par la garantie constructeur du moteur.

⁵Selon la première échéance.

⁶Garantie à vie du cadre – Si le cadre principal, qui est constitué de pièces soudées ensemble pour former la structure du tracteur et sur lequel sont fixés d'autres composants, comme le moteur, se fissure ou est cassé pendant l'utilisation normale, il sera réparé ou remplacé, au choix de Toro, gratuitement dans le cadre de la garantie, pièces et main-d'œuvre comprises. Toute défaillance du châssis causée par un usage incorrect ou abusif et toute défaillance ou réparation requise pour cause de rouille ou de corrosion n'est pas couverte.

La garantie sera annulée si le compteur horaire est débranché, modifié ou semble avoir été trafiqué.

Responsabilités du propriétaire

L'entretien de votre produit Toro doit être conforme aux procédures décrites dans le *Manuel de l'utilisateur*. Cet entretien courant est à vos frais, qu'il soit effectué par vous-même ou par un concessionnaire.

Comment faire intervenir la garantie

Si vous pensez que votre produit Toro présente un vice de matériau ou de fabrication, procédez comme suit :

1. Demandez à votre revendeur de prendre en charge votre produit. Si, pour une raison quelconque, il vous est impossible de contacter votre revendeur, vous pouvez vous adresser à n'importe quel concessionnaire Toro agréé pour l'entretien de votre produit. Consultez la liste des distributeurs jointe.
2. Lorsque vous vous rendez chez le réparateur, apportez le produit et une preuve d'achat (reçu). Si, pour une raison quelconque, vous n'êtes pas satisfait du diagnostic de votre réparateur ou des conseils prodigués, n'hésitez pas à nous contacter à l'adresse suivante :

Toro Customer Care Department, RLC Division
Toro Warranty Company
8111 Lyndale Avenue South
Bloomington, MN 55420-1196, États-Unis
001-952-948-4707

Ce que la garantie ne couvre pas

Il n'existe aucune autre garantie expresse, à part la garantie spéciale du système antipollution et du moteur pour certains produits. Cette garantie expresse ne couvre pas :

- Les frais normaux d'entretien et de remplacement de pièces, telles que les filtres, le carburant, les lubrifiants, les changements d'huile, les bougies, les filtres à air, l'affûtage des lames, les lames usées, le réglage des câbles/de la tringlerie ou le réglage des freins et de l'embrayage.
- Les défaillances de composants dues à une usure normale.
- Les produits ou pièces ayant fait l'objet de modifications, d'un usage abusif ou de négligence, et nécessitant un remplacement ou une réparation en raison d'un accident ou d'un défaut d'entretien.
- Les frais de prise à domicile et de livraison.
- Les réparations ou tentatives de réparation par quiconque autre qu'un concessionnaire-réparateur Toro agréé
- Les réparations requises en raison du non respect de la procédure recommandée relative au carburant (consultez le *Manuel de l'utilisateur* pour plus de détails)
 - La décontamination du système d'alimentation n'est pas couverte
 - L'utilisation de carburant trop ancien (vieux de plus d'un mois) ou de carburant contenant plus de 10 % d'éthanol ou plus de 15 % de MTBE
 - L'omission de la vidange du système d'alimentation avant toute période de non utilisation de plus d'un mois
- Les réparations ou réglages nécessaires pour corriger les problèmes de démarrage causés par :
 - Le non respect des procédures d'entretien correctes ou de la procédure recommandée relative au carburant
 - Des dommages subis par la lame de la tondeuse qui heurte un obstacle
- Certaines conditions de démarrage exigent un ou plusieurs essais, notamment :
 - Le premier démarrage après une période de non utilisation de plus de trois mois ou après le remisage saisonnier
 - Les démarrages par temps froid, par exemple au début du printemps et à la fin de l'automne
 - Les méthodes de démarrage incorrectes - si vous avez des difficultés à démarrer le moteur, vérifiez dans le *Manuel de l'utilisateur* que vous suivez bien les procédures de démarrage correctes. Vous éviterez peut-être ainsi une visite inutile chez un concessionnaire-réparateur Toro agréé.

Conditions générales

L'acheteur est couvert par la législation nationale de chaque pays. Les droits de l'acheteur, soutenus par la législation, ne sont pas limités par la présente garantie.



Super Bagger gazonmaaier van 53 cm

Modelnr.: 20899—Serienr.: 315000001 en hoger

Gebruikershandleiding

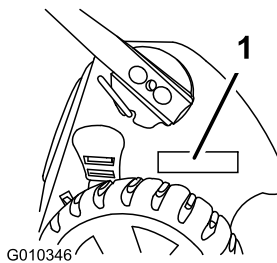
Inleiding

Deze loopmaaier met draaiende messen is bedoeld voor gebruik door particulieren. De machine is voornamelijk ontworpen voor het maaien van gras op goed onderhouden particuliere gazons. De machine is niet ontworpen voor het maaien van struikgewas of voor gebruik in de landbouw.

Lees deze informatie zorgvuldig door, zodat u weet hoe u de machine op de juiste wijze moet gebruiken en onderhouden en om letsel en schade aan de machine te voorkomen. U bent verantwoordelijk voor het juiste en veilige gebruik van de machine.

U kunt rechtstreeks contact opnemen met Toro op www.Toro.com voor informatie over producten en accessoires, hulp bij het vinden van een dealer of om uw product te registreren.

Als u service, originele Toro-onderdelen of aanvullende informatie nodig hebt, kunt u contact opnemen met een erkende Service Dealer of met de klantenservice van Toro. U dient hierbij altijd het modelnummer en het serienummer van het product te vermelden. De locatie van het plaatje met het modelnummer en het serienummer van het product is aangegeven op [Figuur 1](#).



Figuur 1

1. Plaatje met modelnummer en serienummer

U kunt het modelnummer en het serienummer noteren in de ruimte hieronder:

Modelnr.:	_____
Serienr.:	_____

Er worden in deze handleiding een aantal mogelijke gevaren en een aantal veiligheidsberichten genoemd ([Figuur 2](#)) met de volgende veiligheidssymbolen, die duiden op een gevaarlijke situatie die zwaar lichamelijk letsel of de dood tot gevolg

kan hebben wanneer de veiligheidsvoorschriften niet in acht worden genomen.



Figuur 2

1. Veiligheidssymbool

Er worden in deze handleiding twee woorden gebruikt om uw aandacht op bijzondere informatie te vestigen. **Belangrijk** attendeert u op bijzondere technische informatie en **Opmerking** duidt algemene informatie aan die bijzondere aandacht verdient.

Dit product voldoet aan alle relevante Europese richtlijnen. Zie voor details de aparte productspecifieke conformiteitsverklaring.

Nettokoppel: Het bruto- en nettokoppel van deze motor is door de motorfabrikant in laboratoriumomstandigheden gemeten volgens standaard J1940 van de Society of Automotive Engineers (SAE). Omdat bij de configuratie rekening is gehouden met de veiligheids- en gebruiksvoorschriften, zal dit type maaiers in de praktijk een veel lager motorkoppel hebben. Ga naar www.Toro.com om de specificaties van uw model te zien.

Laat de bedieningsorganen en het afgesteld motortoerental ongemoeid, anders kan er een onveilige situatie ontstaan waardoor u letsel kunt oplopen.

Inhoud

Inleiding	1
Veiligheid	2
Algemene veiligheidsregels met betrekking tot de maaimachine	2
Geluidsdruk	4
Geluidsniveau	4
Hand-armtrillingen	5
Veiligheids- en instructiestickers	5
Montage	6
1 De handgreep uitklappen	6
2 De startkoord aanbrenge in de koordgeleider	6
3 De motor bijvullen met olie	7
4 De mulchplug of grasvanger plaatsen	7
5 Grasvanger monteren	9



Algemeen overzicht van de machine	10
Specificaties	10
Gebruiksaanwijzing	10
De brandstoftank vullen	10
Het motoroliepeil controleren	11
De maaihoogte instellen	11
De hoogte van handgreep instellen	12
De motor starten	12
De zelfaandrijving gebruiken	13
Motor afzetten	13
Het maaisel uitstrooien	13
Het maaisel opvangen	13
Het maaisel zijwaarts afvoeren	15
Tips voor bediening en gebruik	16
Onderhoud	17
Aanbevolen onderhoudsschema	17
Vorbereidingen voor onderhoudswerkzaamheden	17
Onderhoud van het luchtfilter	17
Motorolie verversen	18
Het bovenste deel van de handgreep smeren	19
Zelfaandrijving afstellen	19
Het maaimes vervangen	20
De onderkant van de machinebehuizing reinigen	21
Stalling	22
Vorbereidingen voor stalling	22
De handgreep inklappen	22
Haal de maaimachine uit de stalling	23

Veiligheid

Deze machine is ontworpen in overeenstemming met de EN-norm ISO 5395:2013.

Onjuist gebruik of onderhoud van deze maaier kan letsel tot gevolg hebben. Houd u aan deze veiligheidsinstructies om het risico op letsel te verminderen.

Toro heeft deze maaier ontworpen voor en getest op veilig gebruik. Als u zich echter niet houdt aan de volgende instructies kan dit lichamelijk letsel tot gevolg hebben.

Het is van essentieel belang dat u en eventuele andere gebruikers van de maaier de inhoud van deze handleiding lezen en begrijpen voordat de motor voor het eerst wordt gestart om maximale veiligheid en de beste prestaties te garanderen en zodat u kennis over het product opdoet. Let met name op het symbool voor veiligheidswaarschuwingen (**Figuur 2**) dat Voorzichtig, Waarschuwing of Gevaar – “instructie voor persoonlijke veiligheid” kan betekenen. Zorg dat u de instructies leest en begrijpt, dit is belangrijk voor de veiligheid. Niet-naleving van de instructie kan leiden tot lichamelijk letsel.

Algemene veiligheidsregels met betrekking tot de maaimachine

Deze maaimachine kan handen of voeten amputeren en voorwerpen uitwerpen. Als u de veiligheidsinstructies niet opvolgt, kan dit leiden tot ernstig of dodelijk letsel.

Instructie

- Lees deze handleiding aandachtig door. Zorg ervoor dat u vertrouwd raakt met bedieningsorganen en weet hoe u de machine moet gebruiken.
- Laat nooit kinderen of personen die de instructies niet kennen, de machine gebruiken. Voor de bestuurder kan een wettelijke minimumleeftijd gelden.
- Onthoud dat de bestuurder verantwoordelijk is voor ongevallen of schade aan andere personen of hun eigendommen.
- Zorg ervoor dat u alle pictogrammen op de machine of in de instructies begrijpt.

Benzine

WAARSCHUWING: brandstof is licht ontvlambaar. Neem de volgende voorzorgsmaatregelen.

- Bewaar brandstof uitsluitend in tanks of blikken die speciaal daarvoor bedoeld zijn.
- Vul de brandstoftank nooit binnenshuis; tijdens het bijvullen niet roken.
- Vul brandstof bij voordat u de motor start. Verwijder nooit de dop van de brandstoftank en vul nooit benzine bij wanneer de motor loopt of heet is.
- Als er brandstof gemorst mag u de motor niet aanzetten, maar dient u eerst de maaimachine verplaatsen. Zorg ervoor dat er geen ontstekingsbronnen in de buurt van de gemorste brandstof komen totdat alle benzinedampen verdwenen zijn.
- Doe steeds de dop weer zorgvuldig op brandstoftanks en -containers.

Vóór ingebruikname

- Draag tijdens het maaien altijd een lange broek en stevige schoenen met een gripvaste zool. Draag geen schoenen met open tenen en loop niet op blote voeten.
- Inspecteer eerst grondig het terrein waar u de machine wilt gebruiken en verwijder alle stenen, takken, draden, botten of andere vreemde voorwerpen.
- Controleer vóór gebruik altijd of de beschermplaten en veiligheidsvoorzieningen zoals grasgeleiders en grasvangers, op hun plaats zitten en naar behoren werken.
- Controleer vóór het gebruik de messen, bevestigingsbouten en het maaimechanisme altijd op sporen van slijtage of beschadiging. Vervang versleten

of beschadigde messen en bouten altijd als complete set om een goede balans te behouden.

Starten

- Houd de maaimachine niet schuin als u de motor aanzet, behalve als u de machine schuin moet houden om te starten. Houd de machine in dat geval niet schuiner dan nodig is, en til alleen de zijde op die het verst van u verwijderd is.
- Houd u bij het starten van de motor zorgvuldig aan de voorschriften en houd uw voeten uit de buurt van de maaimes(sen) en niet vóór de afvoeropening.

Gebruiksaanwijzing

- Houd iedereen weg uit het gebied waarin u de machine gebruikt, met name kinderen en huisdieren.
- Maai uitsluitend bij daglicht of goed kunstlicht.
- Let op kuilen in het terrein en andere verborgen gevaren.
- Houd handen en voeten uit de buurt van draaiende onderdelen. Blijf altijd uit de buurt van de afvoeropening.
- U mag een maaimachine nooit optillen of dragen terwijl de motor loopt.
- Ga zeer voorzichtig te werk als u een loopmaaier achteruitrijdt of naar u toetrekt.
- Lopen, nooit rennen.
- Hellingen:
 - Maai niet op al te steile hellingen.
 - Wees uiterst voorzichtig op hellingen.
 - Maai dwars over een helling, nooit helling op en af, en wees uiterst voorzichtig als u op een helling van richting verandert.
 - Zorg dat u op hellingen altijd stevig staat.
- Verminder de snelheid op een helling en in een scherpe bocht om te voorkomen dat de machine omkantelt of dat u de controle over de machine verliest.
- Zet het maaimes stil als u de machine schuin moet houden, bijvoorbeeld voor transport, bij het oversteken van een oppervlak zonder gras, en bij het vervoer van en naar het te maaien terrein.
- Laat de motor nooit in een afgesloten ruimte lopen, omdat zich daar giftige koolmonoxidedampen en andere uitlaatgassen kunnen verzamelen.
- Zet de motor af
 - elke keer als u de machine verlaat.
 - voordat u brandstof bijvult.
 - voordat u de grasvanger verwijdert.
 - voordat u de hoogte anders instelt, tenzij instelling mogelijk is vanuit de bestuurderspositie.
- Zet de motor af en maak de bougiekabel los:
 - voordat u verstoppingen losmaakt of het uitwerpkanaal ontstopt.

- voordat u de machine gaat controleren, schoonmaken of andere werkzaamheden gaat uitvoeren.
- als u een vreemd voorwerp heeft geraakt, moet u de maaimachine op beschadigingen controleren en reparaties uitvoeren voordat u de machine opnieuw start en weer in gebruik neemt.
- controleer de machine onmiddellijk als deze abnormaal begint te trillen.
- Bliksem kan ernstig of dodelijk letsel veroorzaken. Als u bliksem ziet of donder hoort in het gebied, gebruik de machine dan niet; ga schuilen.
- Let op het verkeer als u in de buurt van een weg werkt of deze oversteekt.

Onderhoud en opslag

- Draai alle moeren, bouten en schroeven regelmatig strak aan, zodat de machine steeds veilig kan worden gebruikt.
- Gebruik geen hoge druk om de machine te reinigen.
- Als er zich brandstof in de tank bevindt, mag u de machine niet opslaan in een afgesloten ruimte waar brandstofdampen in contact kunnen komen met open vuur of vonken.
- Laat de motor afkoelen voordat u de machine in een afgesloten ruimte opslaat.
- Om het risico van brand te verminderen, moet u de motor, de geluiddemper, het accucompartiment en de benzinetank vrij van gras, bladeren of overtollig vet houden.
- U moet de onderdelen van de grasvanger en de afvoergeleider veelvuldig controleren en, indien nodig, vervangen door onderdelen die de fabrikant heeft aanbevolen.
- Vervang versleten of beschadigde onderdelen met het oog op een veilig gebruik.
- Vervang geluiddempers die gebreken vertonen.
- Als het nodig is de brandstoftank af te tappen, doe dit dan buiten.
- Verander de instellingen van de motor niet en voorkom overbelasting van de motor. Laat de motor niet met een te hoog toerental lopen omdat dit de kans op ongevallen kan vergroten.
- Wees voorzichtig als u de machine afstelt, teneinde te voorkomen dat uw vingers bekneld raken tussen de draaiende messen en de vaste onderdelen van de machine.
- **Om de beste prestaties en een veilig gebruik te verzekeren, dient u uitsluitend originele Toro-onderdelen en accessoires te gebruiken. Gebruik nooit universele onderdelen en accessoires; deze kunnen de veiligheid in gevaar brengen.**

De machine transporteren

- Wees voorzichtig als u de machine inlaadt op een aanhanger of een vrachtwagen of uitlaadt.
- Gebruik een oprijplaat van volledige breedte bij het laden van de machine op een aanhanger of vrachtwagen.
- Zet de machine goed vast met spanbanden, kettingen, kabels of touwen. Zowel de voorste als de achterste spanband moet naar beneden en naar de buitenkant van de machine lopen.

Geluidsdruk

Deze machine oefent een geluidsdruk van 89 dBA uit op het gehoor van de gebruiker, met een onzekerheidswaarde (K) van 1 dBA.

De geluidsdruk is vastgesteld volgens de procedures in EN ISO 5395:2013.

Geluidsniveau

Deze machine heeft een gegarandeerd geluidsniveau van 98 dBA uit met een onzekerheidswaarde (K) van 1 dBA.

Het geluidsniveau werd bepaald volgens de procedures in ISO 11094.

⚠ VOORZICHTIG

Langdurige blootstelling aan lawaai tijdens het gebruik van de machine kan enig gehoorverlies veroorzaken.

Draag geschikte oorbescherming als u de machine langdurig gebruikt.

Hand-armtrillingen

Gemeten trillingsniveau op de rechterhand = 3,8 m/s²

Gemeten trillingsniveau op de linkerhand = 4,1 m/s²

Onzekerheidswaarde (K) = 2,1 m/s²

De gemeten waarden zijn bepaald volgens de procedures in EN ISO 5395:2013.

⚠ VOORZICHTIG

Langdurige blootstelling aan trillingen tijdens het gebruik van de machine kan enige stijfheid van de handen en polsen veroorzaken.

Draag trillingsdempende handschoenen als u de machine langdurig gebruikt.

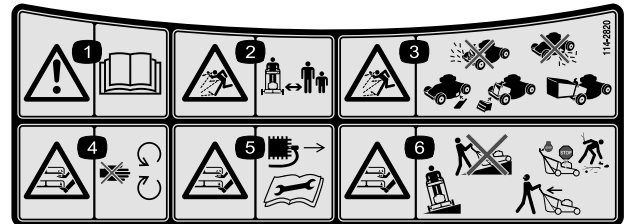
Veiligheids- en instructiestickers

Belangrijk: Veiligheidsstickers en veiligheidsinstructies bevinden zich bij plaatsen waar gevaar kan ontstaan. Vervang beschadigde stickers.



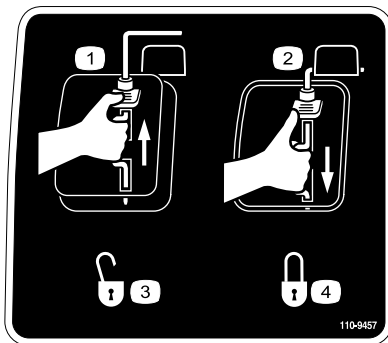
Merkteken van fabrikant

1. Geeft aan dat het mes onderdeel van een originele Toro-maaimachine is.



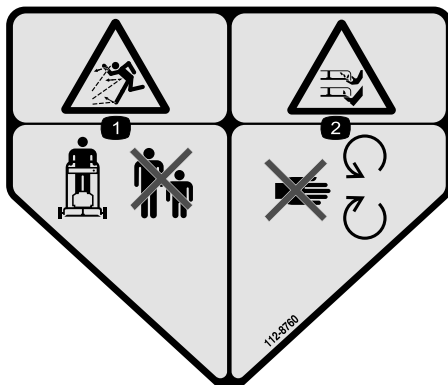
114-2820

1. Waarschuwing – Lees de *Gebruikershandleiding*.
2. De machine kan voorwerpen uitwerpen – Houd omstanders op een veilige afstand van de machine.
3. De machine kan voorwerpen uitwerpen – Gebruik de machine niet zonder de afsluiter van de achterafvoer of de grasvanger; gebruik de machine niet zonder de afsluiter van de zijafvoer of de grasgeleider.
4. Handen of voeten kunnen worden gesneden/geamputeerd, maaimes – Blijf uit de buurt van bewegende onderdelen.
5. Handen of voeten kunnen worden gesneden/geamputeerd door het maaimes – Verwijder het sleuteltje uit het contact en raadpleeg de instructies vóór u service- of onderhoudswerkzaamheden uitvoert.
6. Handen of voeten kunnen worden gesneden/geamputeerd door het maaimes – Maai nooit heuvelopwaarts en heuvelafwaarts. Gebruik de machine dwars op hellingen. Zet de motor af voordat u de bestuurderspositie verlaat en kijk achterom als u achteruitloopt.



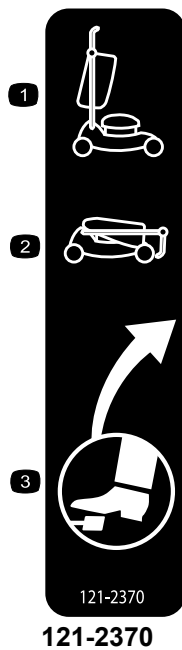
110-9457

1. Motor uitzetten
2. Motor aanzetten
3. Ontgrendeld
4. Vergrendeld



112-8760

1. De machine kan voorwerpen uitwerpen – Houd omstanders op een veilige afstand van de machine.
2. Handen of voeten kunnen worden gesneden/geamputeerd – Blijf uit de buurt van bewegende onderdelen.



121-2370

1. Duwboom in uitgeklapte stand
2. Duwboom in ingeklapte stand
3. Locatie van het pedaal

Montage

Belangrijk: Verwijder de beschermfolie van de motor en gooi deze weg.

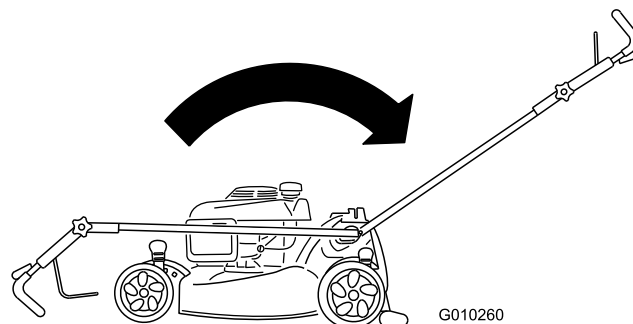
1

De handgreep uitklappen

Geen onderdelen vereist

Procedure

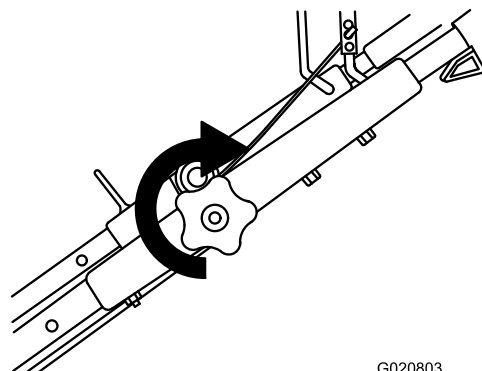
1. Trek de handgreep naar achteren en houd de bovenste handgreep op zijn plaats (Figuur 3).



Figuur 3

Opmerking: De handgreep klikt op zijn plaats.

2. Draai de handgreepknop zo goed mogelijk vast (Figuur 4).



Figuur 4

2

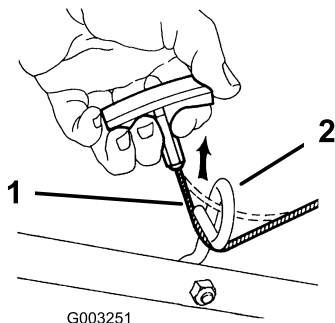
De startkoord aanbrenge in de koordgeleider

Geen onderdelen vereist

Procedure

Belangrijk: Om de motor veilig en snel te kunnen starten voor elk gebruik dient u de startkoord aan te brengen in de koordgeleider.

Trek het startkoord door de koordgeleider op de handgreep (Figuur 5).



Figuur 5

1. Startkoord
2. Koordgeleider

3

De motor bijvullen met olie

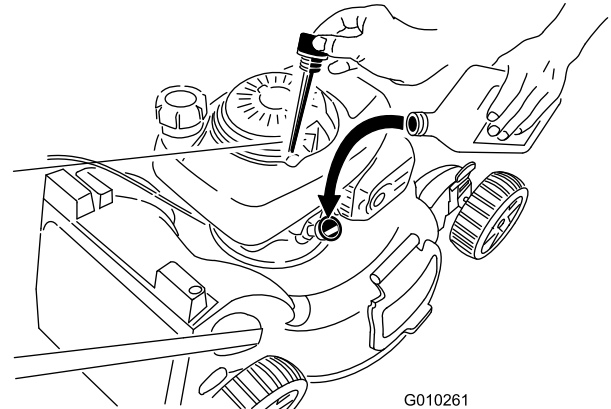
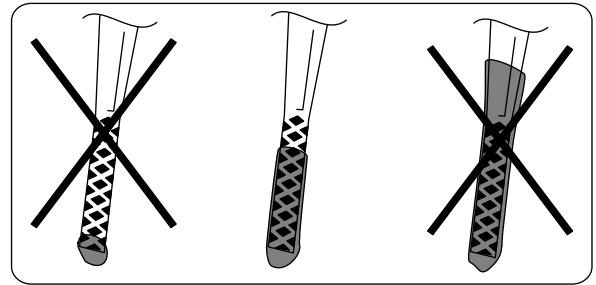
Geen onderdelen vereist

Procedure

Belangrijk: Uw machine wordt geleverd zonder olie in de motor. Vul het motorcarter met olie voordat u de motor start.

1. Plaats de machine op een horizontaal oppervlak.
2. Neem de peilstok eruit (Figuur 6) en giet ongeveer 3/4 van de capaciteit van het oliecarter in de vulbuis.

Opmerking: Maximaal vullen: 0,55 liter, type: SAE 30 reinigingsolie, met onderhoudsclassificatie SF, SG, SH, SJ, SL van het American Petroleum Institute [API] of hoger.



Figuur 6

3. Veeg de peilstok met een schone doek schoon.
4. Steek de peilstok in de vulbuis, **maar draai deze er niet in.**
5. Haal de peilstok eruit en controleer het oliepeil; zie [Figuur 6](#).
 - Als het oliepeil te laag is, moet u traag een kleine hoeveelheid olie in de vulbuis gieten, 3 minuten wachten en vervolgens stappen 3 tot 5 herhalen totdat de olie het juiste peil heeft bereikt; zie [Figuur 16](#).
 - Als het oliepeil te hoog is, tapt u de overtollige olie af tot het juiste oliepeil is bereikt; zie [Figuur 16](#). Voor het aftappen van overtollige olie, zie [Motorolie verversen \(bladz. 18\)](#).
6. Plaats de peilstok goed in de vulbuis.

Belangrijk: Als het oliepeil in het carter te hoog of te laag is en u laat de motor toch draaien, kunt u deze beschadigen.

Belangrijk: *Ververs de motorolie na de eerste 5 bedrijfsuren; daarna moet dit elk jaar gebeuren. Zie [Motorolie verversen \(bladz. 18\)](#).*

4

De mulchplug of grasvanger plaatsen

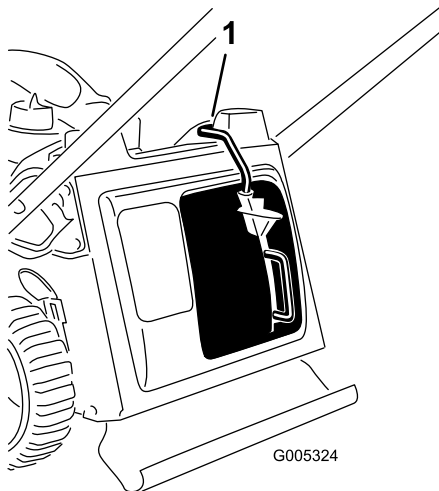
Geen onderdelen vereist

Procedure

U moet de mulchplug (voor fijnmaken of zijwaarts afvoeren van gras) of de grasvanger (voor verzamelen in een zak) op de juiste wijze installeren, **anders start de motor niet**.

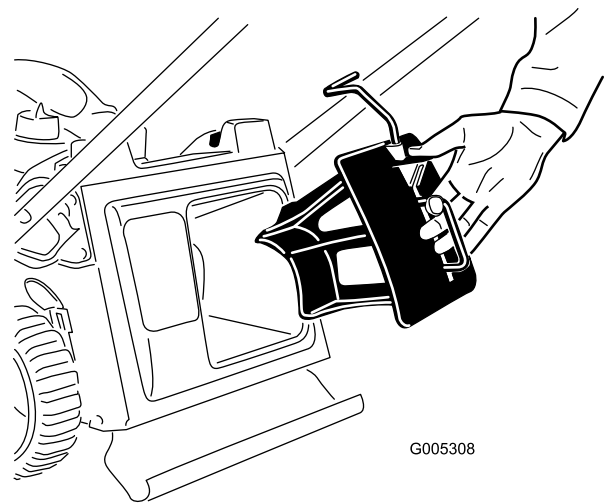
De machine beschikt over een veiligheidsschakelaar, die zich onderaan het kanaal rechtsboven, achterop de maaimachine bevindt. De schakelaar voorkomt dat de maaimachine zonder mulchplug of grasvanger werkt. Dit voorkomt dat de machine afval naar de bediener werpt via de opening achteraan.

Om te zorgen dat de schakelaar de aanwezigheid van de mulchplug waarneemt, moet de bovenkant van de mulchplug zich volledig in het kanaal bevinden (Figuur 7).



Figuur 7

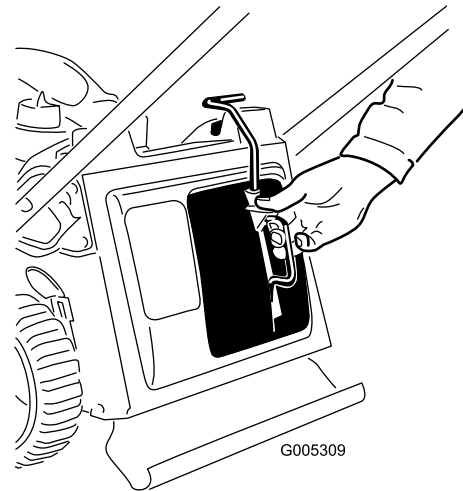
1. De bovenkant van de mulchplughendel in het schakelkanaal



G005308

Figuur 8

2. Druk met uw duim op de knop op de greep en plaats de mulchplug helemaal in de opening (Figuur 9).

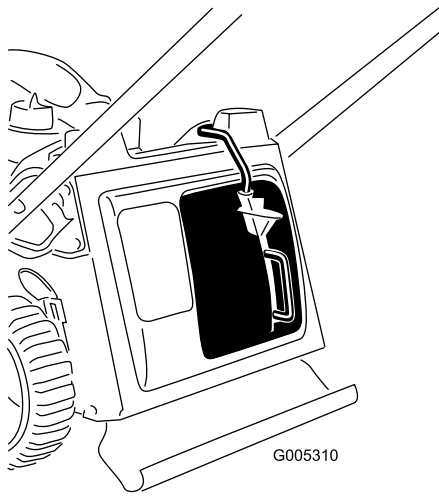


G005309

Figuur 9

3. Laat de knop op de greep los en zorg dat de bovenkant van de greep zich volledig in het schakelkanaal bevindt (Figuur 10). **Als de bovenkant van de greep zich niet in het schakelkanaal bevindt, start uw machine niet!**

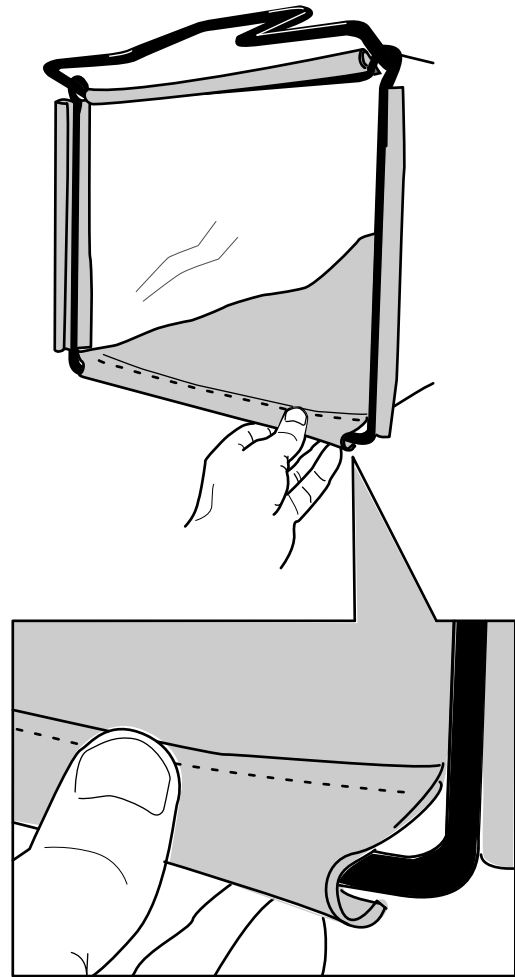
1. Plaats de mulchplug in de machine, indien deze nog niet geïnstalleerd is (Figuur 8).



Figuur 10

Opmerking: Als de greep niet goed vastklikt, moet u de kabel losmaken van de bougie en kijken of er zich vuil in de tunnel heeft opgehoopt en dit eventueel verwijderen.

2. Haak het onderste kanaal van de grasvanger over de onderzijde van het frame (Figuur 12).



Figuur 12

g027157

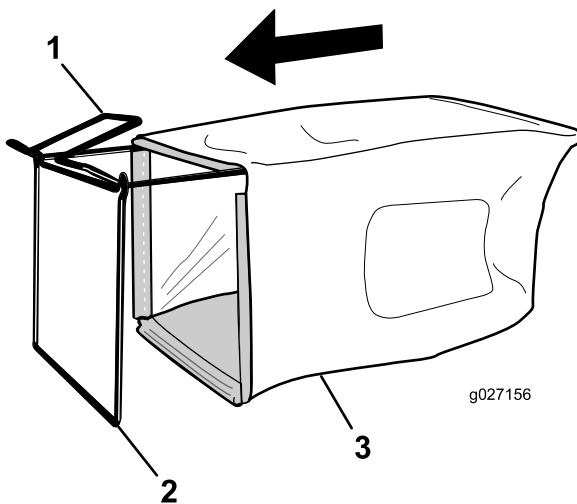
5

Grasvanger monteren

Geen onderdelen vereist

Procedure

1. Schuif de grasvanger over het frame; zie Figuur 11.



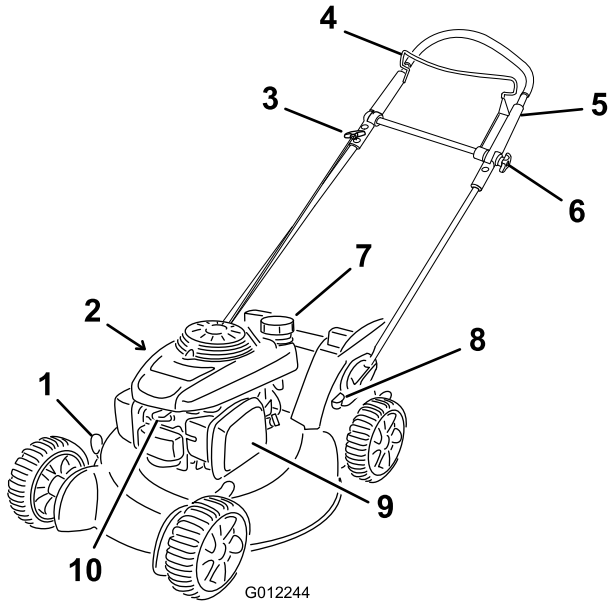
Figuur 11

- | | |
|--------------|---------------|
| 1. Handgreep | 3. Grasvanger |
| 2. Frame | |

3. Haak het bovenste en de zijkanalen van de grasvanger achtereenvolgens over de bovenzijde en de zijkanten van het frame (Figuur 12).

Opmerking: Schuif de grasvanger niet over de handgreep (Figuur 11).

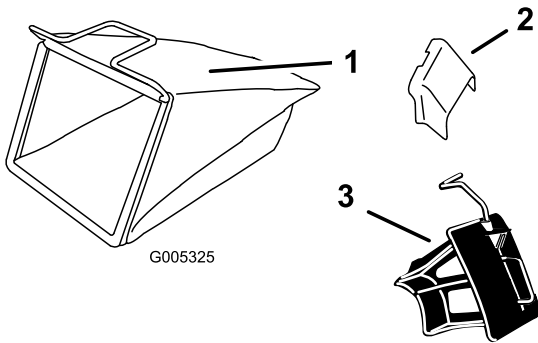
Algemeen overzicht van de machine



G012244

Figuur 13

- | | |
|--------------------------------------|---------------------------|
| 1. Maaihoogtehendel (4) | 6. Bovenste handgreepknop |
| 2. Peilstok/vulbuis (niet afgebeeld) | 7. Dop van brandstoftank |
| 3. Handgreep van startkoord | 8. Voetpedaal |
| 4. Bedieningsstang voor maaimes | 9. Luchtfilter |
| 5. Bovenste deel van de handgreep | 10. Bougie |



G005325

Figuur 14

- | | |
|---------------------|---|
| 1. Grasvanger | 3. Mulchplug (standaard aanwezig op de machine) |
| 2. Zijuitwerpkanaal | |

Specificaties

Type	Gewicht	Lengte	Breedte	Hoogte
20897	36 kg (80 lb)	159 cm	56 cm	110 cm

Gebruiksaanwijzing

De brandstoftank vullen

Aanbevolen brandstof:

- Gebruik voor de beste resultaten uitsluitend schone, verse (minder dan 30 dagen oud), loodvrije benzine met een octaangetal van 87 of hoger (indelingsmethode (R+M)/2).
- **Ethanol:** Benzine met maximaal 10% ethanol (gasohol) of 15% MTBE (methyl-tertiair-butylether) per volume is aanvaardbaar. Ethanol en MTBE zijn niet hetzelfde. Benzine met 15% ethanol (E15) per volume is niet geschikt voor gebruik. **Gebruik nooit benzine die meer dan 10% ethanol per volume bevat**, zoals E15 (bevat 15% ethanol), E20 (bevat 20% ethanol), of E85 (bevat tot 85% ethanol). Ongeschikte benzine gebruiken kan leiden tot verminderde prestaties en/of motorschade die mogelijk niet gedekt wordt door de garantie.
- **Geen** benzine gebruiken die methanol bevat.
- Tijdens de winter **geen** brandstof bewaren in de brandstoftank of in vaten, tenzij u een brandstofstabilisator gebruikt.
- **Meng** nooit olie door benzine.

Belangrijk: Om gemakkelijker te starten, kunt u het hele maaiseizoen lang brandstofstabilisator toevoegen aan benzine van niet meer dan 30 dagen oud; laat de machine volledig leeglopen als u deze langer dan 30 dagen gaat stallen.

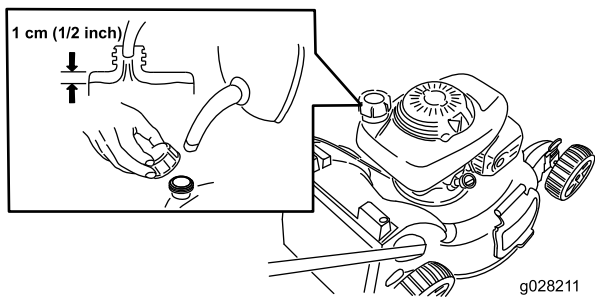
Gebruik nooit andere brandstofadditieven dan een brandstofstabilisator/conditioner. Gebruik geen stabilizers op basis van alcohol zoals ethanol, methanol, of isopropanol.

⚠ GEVAAR

Benzine is uitermate ontvlambaar en explosief. Brand of explosie van benzine kan brandwonden veroorzaken.

- Om te voorkomen dat een statische lading de benzine tot ontbranding kan brengen, moet u het benzinevat en/of de machine voordat u de tank vult op de grond plaatsen, niet op een voertuig of een ander object.
- Vul de brandstoftank in de open lucht wanneer de motor koud is. **Neem gemorste benzine op.**
- **Rook niet** als u omgaat met benzine, en houd benzine uit de buurt van open vuur of brandstof.
- **Bewaar benzine in een goedgekeurd benzinevat en buiten bereik van kinderen.**
- **Kantel de machine niet op de zijkant als er brandstof in de tank zit.**

1. Reinig de omgeving van de tankdop en verwijder de dop van de tank (Figuur 15).



Figuur 15

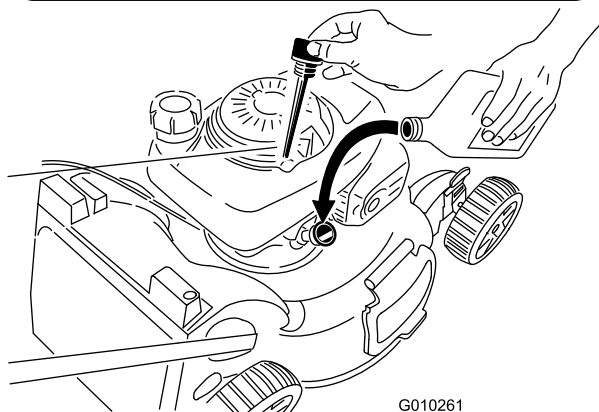
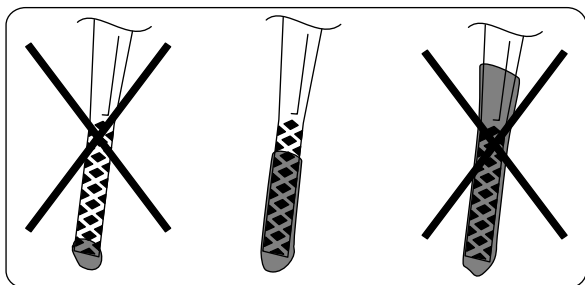
2. Vul de brandstoftank tot er nog minstens 1 cm onder de onderkant van de vulbuis vrij blijft, zodat de benzine kan uitzetten.
3. Draai de brandstofdop stevig vast met de hand.

Het motoroliepeil controleren

Onderhoudsinterval: Bij elk gebruik of dagelijks

Opmerking: Maximaal vullen: 0,55 liter, type: SAE 30 reinigingsolie, met onderhoudsclassificatie SF, SG, SH, SJ, SL van het American Petroleum Institute [API] of hoger.

1. Plaats de machine op een horizontaal oppervlak.
2. Verwijder de peilstok (Figuur 16).



Figuur 16

3. Veeg de peilstok met een schone doek schoon.
4. Steek de peilstok in de vulbuis, **maar draai deze er niet in**.
5. Haal de peilstok eruit en controleer het oliepeil; zie [Figuur 16](#).

- Als het oliepeil te laag is, moet u traag een kleine hoeveelheid olie in de vulbuis gieten, 3 minuten wachten en vervolgens stappen 3 tot 5 herhalen totdat de olie het juiste peil heeft bereikt; zie [Figuur 6](#).
- Als het oliepeil te hoog is, tapt u de overtollige olie af tot het juiste oliepeil is bereikt; zie [Figuur 6](#). Voor het aftappen van overtollige olie, zie [Motorolie verversen \(bladz. 18\)](#).

Belangrijk: Als het oliepeil in het carter te hoog of te laag is en u laat de motor toch draaien, kunt u deze beschadigen.

6. Plaats de peilstok goed in de vulbuis.

De maaihoogte instellen

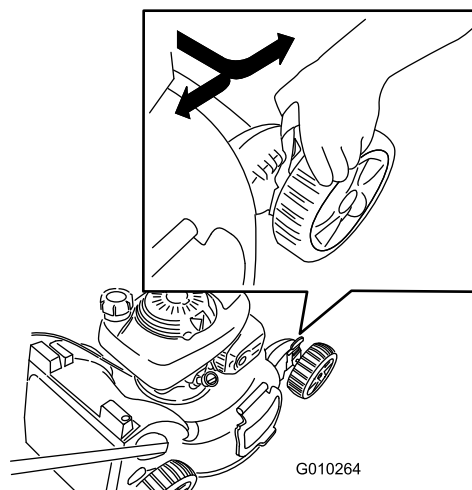
⚠ WAARSCHUWING

Bij het instellen van de maaihoogte kunt u in aanraking komen met een bewegend mes. Dit kan ernstig letsel veroorzaken.

- Zet de motor af en wacht totdat alle bewegende onderdelen tot stilstand gekomen zijn.
- Blijf uit de buurt van een hete geluiddemper.
- Plaats uw vingers niet onder de behuizing als u de maaihoogte instelt.

Zet de maaihoogte op de gewenste stand. Stel de voorwielen in op dezelfde hoogte als de achterwielen ([Figuur 17](#)).

Opmerking: Om de machine hoger te zetten, moet u de maaihoogtehendels naar voren bewegen; om de machine lager te zetten, moet u alle hendels naar achteren bewegen.



Figuur 17

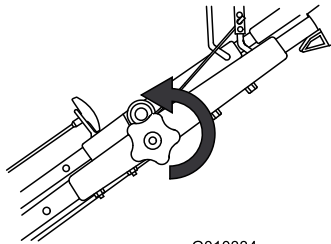
Opmerking: De maaihoogte-instellingen zijn 25 mm, 35 mm, 44 mm, 54 mm, 64 mm, 73 mm, 83 mm, 92 mm en 102 mm.

De hoogte van handgreep instellen

U kunt de bovenste handgreep hoger of lager zetten in een stand die u comfortabel vindt.

Opmerking: U kunt de bovenste handgreep niet hoger zetten dan de hoek van de onderste handgreep.

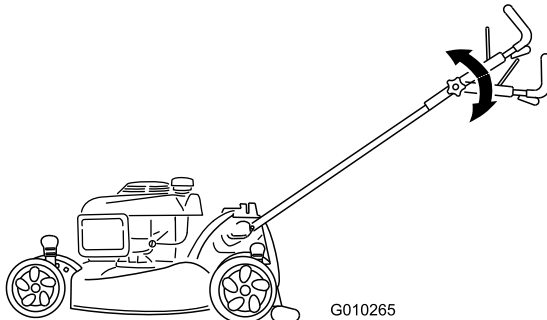
1. De bovenste handgreepschroef losdraaien (Figuur 18).



G010334

Figuur 18

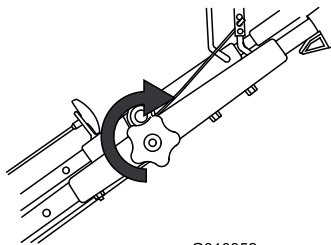
2. Zet de bovenste handgreep in de gewenste stand (Figuur 19).



G010265

Figuur 19

3. Draai de handgreepknop zo goed mogelijk vast (Figuur 20).



G010352

Figuur 20

De motor starten

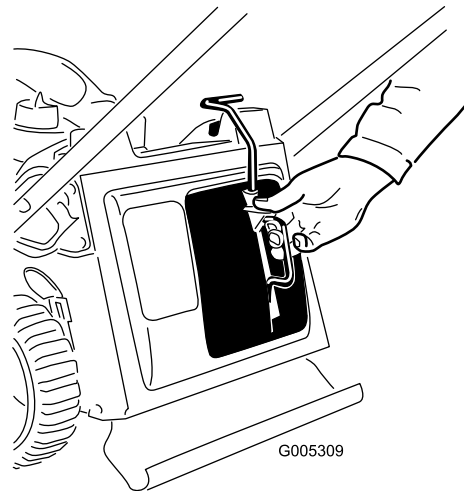
⚠ WAARSCHUWING

De machine maakt veel lawaai en kan uw gehoor beschadigen.

Gebruik gehoorbescherming.

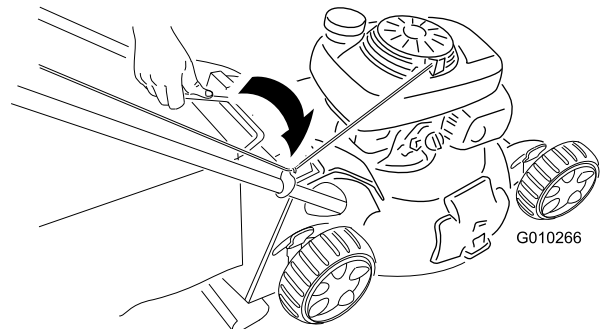
Belangrijk: De maaimachine beschikt over een veiligheidsschakelaar die voorkomt dat u de machine kunt starten als u niet eerst de mulchplug of grasvanger goed op de maaimachine hebt geplaatst.

1. Plaats de mulchplug (Figuur 21) of de grasvanger (Figuur 22) op de maaimachine.



G005309

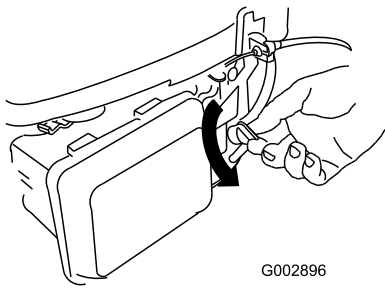
Figuur 21



G010266

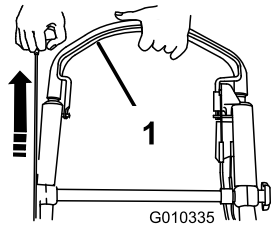
Figuur 22

2. Draai de hendel van de brandstofklep naar de stand Aan (Figuur 23).



Figuur 23

3. Houd de bedieningsstang van het maimes tegen de hendel en trek aan de start handgreep (Figuur 24).



Figuur 24

1. Bedieningsstang voor maimes

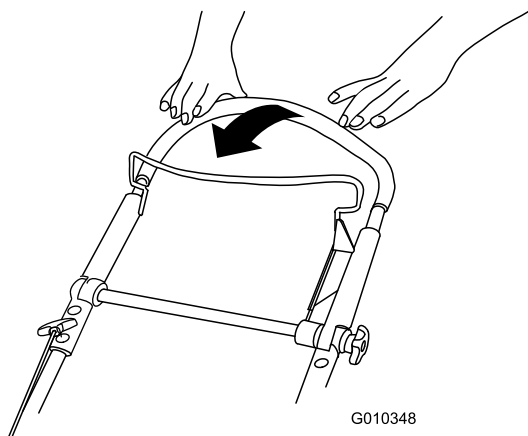
Opmerking: Als de machine dan nog niet wil starten, moet u contact opnemen met een erkende Service Dealer.

De zelfaandrijving gebruiken

Om de zelfaandrijving te activeren, loopt u eenvoudig vooruit met uw handen op het bovenste deel van de handgreep en uw ellebogen naast uw lichaam; de maaimachine richt zich automatisch naar uw loopsnelheid.

Motor afzetten

Om de motor af te zetten, laat u de bedieningsstang van het maimes los (Figuur 25).



Figuur 25

⚠ VOORZICHTIG

Als u de bedieningsstang loslaat, moeten de motor en het mes binnen 3 seconden stoppen. Als dit niet gebeurt, mag u de machine niet verder gebruiken en moet u contact opnemen met een erkende servicedealer.

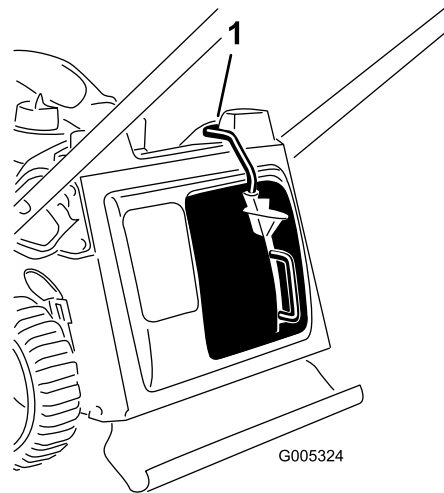
Het maaisel uitstrooien

Uw machine wordt in de fabriek klaargemaakt om maaisel en bladafval te mulchen en terug in het gazon te drijven.

Als de grasvanger op de machine zit, moet u die verwijderen (zie [De grasvanger verwijderen \(bladz. 14\)](#)) alvorens het maaisel te versnipperen. Als het zijuitwerpkanaal op de machine zit, moet u dit verwijderen en het deurtje vergrendelen alvorens het maaisel te versnipperen (raadpleeg [Het zijuitwerpkanaal verwijderen \(bladz. 15\)](#)).

Belangrijk: De maaimachine beschikt over een veiligheidsschakelaar die voorkomt dat u de machine kunt starten als u niet eerst de mulchplug goed op de maaimachine hebt geplaatst (Figuur 26).

Plaats de mulchplug zoals afgebeeld in Figuur 26.



Figuur 26

1. Bovenkant van mulchplughendel in schakelkanaal

Het maaisel opvangen

Gebruik de grasvanger als u maaisel en bladafval wilt verzamelen.

⚠ WAARSCHUWING

Een versleten grasvanger kan kleine steentjes en andere voorwerpen uitwerpen, waardoor u of omstanders ernstig lichamelijk of dodelijk letsel kunnen oplopen.

Controleer de grasvanger regelmatig. Plaats een nieuwe Toro-grasvanger als de oude is beschadigd.

Als het zijuitwerpkanaal op de machine zit, moet u dit verwijderen en het deurtje vergrendelen alvorens het maaisel op te vangen (raadpleeg [Het zijuitwerpkanaal verwijderen](#) (bladz. 15)).

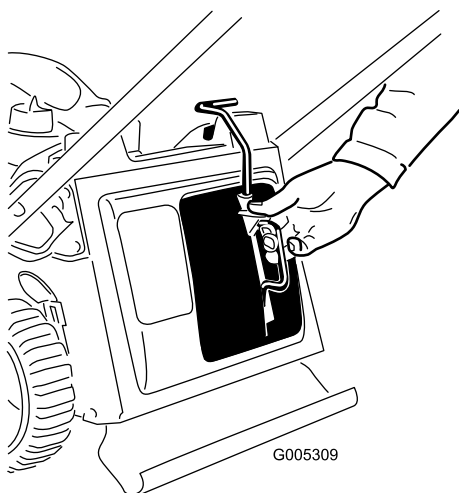
⚠ WAARSCHUWING

Het maaimes is scherp, contact met het maaimes kan ernstig lichamelijk letsel veroorzaken.

Zet de motor af en wacht totdat alle bewegende onderdelen tot stilstand zijn gekomen voordat u de bestuurderspositie verlaat.

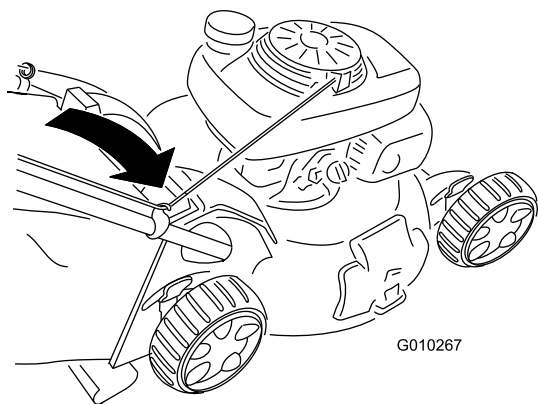
De grasvanger plaatsen

1. Verwijder de mulchplug ([Figuur 27](#)).



Figuur 27

2. Laat het startkoord rond de onderste koordgeleider lopen ([Figuur 28](#)).

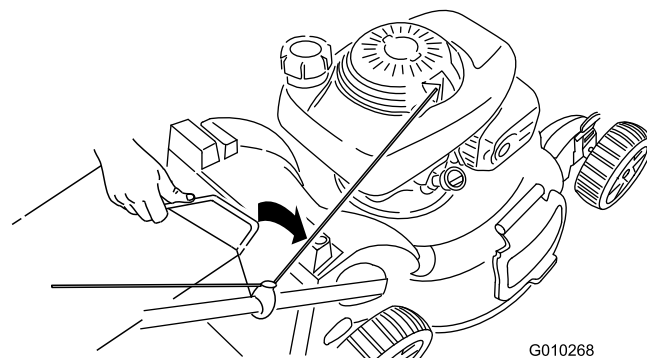


Figuur 28

Opmerking: De onderste koordgeleider geeft het startkoord vrij als u aan de handgreep van het startkoord trekt.

3. Schuif de hendel van de grasvanger in de groeven bovenop de maaimachine ([Figuur 29](#)).

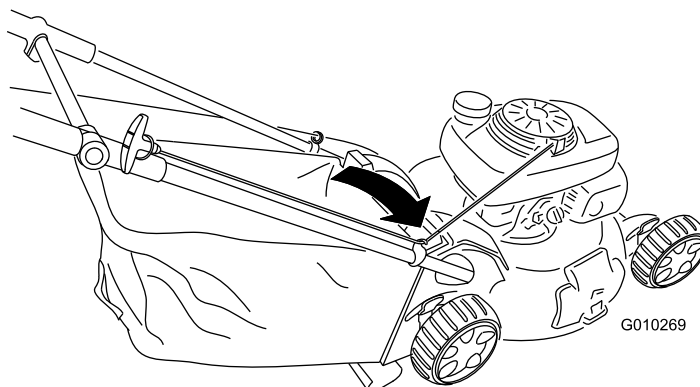
Belangrijk: De maaimachine beschikt over een veiligheidsschakelaar die voorkomt dat u de machine kunt starten als u niet eerst de grasvanger goed op de maaimachine hebt geplaatst).



Figuur 29

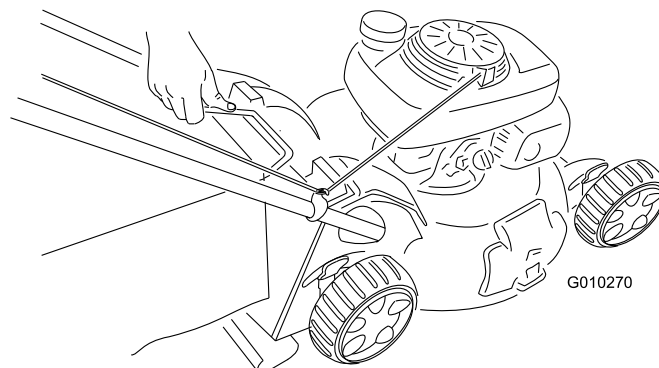
De grasvanger verwijderen

1. Laat het startkoord rond de onderste koordgeleider lopen ([Figuur 30](#)).



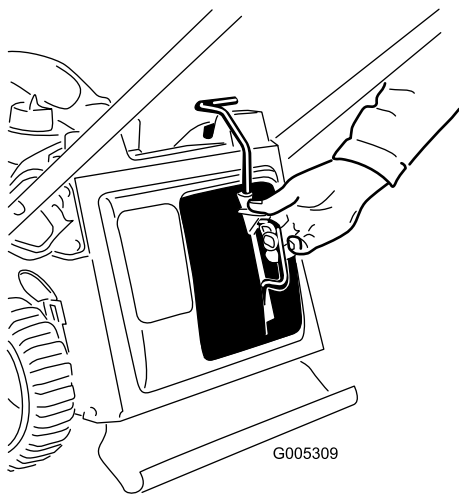
Figuur 30

2. Trek de beugel van de grasvanger omhoog uit de gleuven en verwijder de grasvanger van de machine ([Figuur 31](#)).



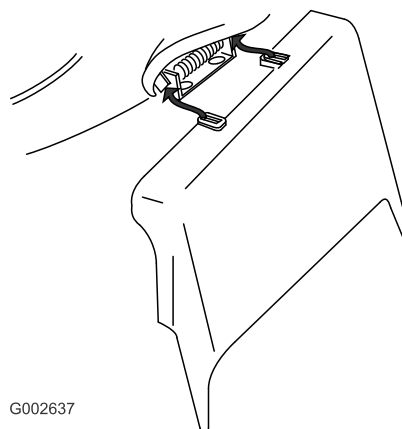
Figuur 31

3. Plaats de mulchplug ([Figuur 32](#)).



Figuur 32

3. Monteer de zijafvoer en sluit het deurtje op de tunnel (Figuur 35).



Figuur 35

Het maaisel zijwaarts afvoeren

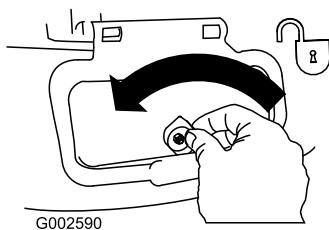
Gebruik de zijafvoer als u zeer hoog gras maait.

Als de grasvanger op de machine zit, moet u die verwijderen alvorens de zijuitworp te gebruiken; zie [De grasvanger verwijderen](#) (bladz. 14).

Belangrijk: De maaimachine beschikt over een veiligheidsschakelaar die voorkomt dat u de machine kunt starten als u niet eerst de mulchplug goed op de maaimachine hebt geplaatst; zie [Het maaisel uitstrooien](#) (bladz. 13).

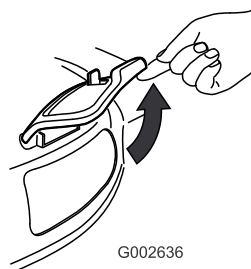
Zijuitwerpkanaal monteren

1. Ontgrendel het deurtje van de zijafvoer (Figuur 33).



Figuur 33

2. Zet het deurtje van de zijafvoer open (Figuur 34).

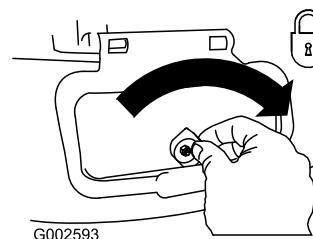


Figuur 34

Het zijuitwerpkanaal verwijderen

Om het zijuitwerpkanaal te verwijderen, voert u bovenstaande stappen in omgekeerde volgorde uit.

Belangrijk: Vergrendel het deurtje van de zijuitworp nadat u dit hebt gesloten (Figuur 36).



Figuur 36

Tips voor bediening en gebruik

Gras maaien

⚠ WAARSCHUWING

Een gebogen, beschadigd of los mes kan loskomen van de machine en u of omstanders letsel toebrengen.

- Verwijder stikken, stenen, draden, takken en ander vuil die het mes kan raken, uit het werkgebied.
- Zorg ervoor dat het mes geen vaste voorwerpen raakt. Maai nooit met opzet over voorwerpen.
- Als de maaimachine toch een voorwerp raakt en begint te trillen, moet u meteen de motor afzetten, de bougiekabel losmaken en de maaimachine op beschadiging controleren.
- Wees voorzichtig wanneer u controle/onderhoud uitvoert aan het mes; het is scherp en kan u snijden.
- Zorg dat de mesbout goed aangedraaid is en vervang het mes elk maaiseizoen met een origineel mes van Toro.
- U moet telkens niet meer dan ongeveer eenderde van de lengte van het gras afmaaien. Maai niet met een stand lager dan 51 mm, tenzij de grasmat dun is, of als het laat in het najaar is wanneer het gras langzamer begint te groeien. Zie [De maaihoogte instellen \(bladz. 11\)](#).
- Als u gras wilt maaien dat langer dan 15 cm is, moet u maaien op de maximale maaihoogte en met een langzamere loopsnelheid. Vervolgens gaat u maaien op een lagere maaihoogte om het gazon een zo fraai mogelijk uiterlijk te geven. Als het gras te hoog is, kan de machine verstopt raken en de motor afslaan.
- Maai uitsluitend droog gras of droge bladeren. Nat gras en natte bladeren gaan aankoeken, waardoor de maaimachine verstopt kan raken of de motor kan afslaan.

⚠ WAARSCHUWING

Als u nat gras en natte bladeren maait, kunt u uitglijden, in aanraking komen met het mes en ernstig letsel oplopen. Maai uitsluitend in droge omstandigheden.

- Wees bedacht op het risico van brand in zeer droge omstandigheden; neem alle plaatselijke brandwaarschuwingen in acht en houd de machine vrij van droog gras en bladafval.

- Maai steeds in wisselende richtingen. Hierdoor wordt het maaisel beter over het gazon verstrooid, zodat het gazon gelijkmatig wordt bemest.
- Als u met het uiterlijk van het voltooide gazon niet tevreden bent, probeer dan een of meer van de volgende stappen:
 - Vervang het maaimes of laat het slijpen.
 - Loop langzamer tijdens het maaien.
 - Stel de maaimachine in op een hogere maaihoogte.
 - Maai het gras vaker.
 - Laat de maai banen overlappen in plaats van steeds een volledig nieuwe baan te maaien.
 - Stel de maaihoogte bij de voorwielen een stand lager in dan bij de achterwielen. Bijvoorbeeld: zet de maaihoogte van de voorwielen op 51 mm en die van de achterwielen op 64 mm.

Bladeren fijnmaken

- Na het maaien moet altijd 50% van het gazon zichtbaar blijven door de bladerlaag. Dit kan een of meerdere rondgangen over de bladeren vereisen.
- Als er een laag bladeren van meer dan 13 cm op het gazon ligt, moet u de voorwielen één of twee uitsparingen hoger zetten dan de achterwielen.
- Als de maaimachine de bladeren niet fijn genoeg maakt, is het beter om wat langzamer te maaien.

Onderhoud

Opmerking: Bepaal vanuit de normale bestuurderspositie de linker- en rechterzijde van de machine.

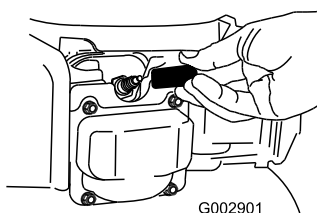
Aanbevolen onderhoudsschema

Onderhoudsinterval	Onderhoudsprocedure
Na de eerste 5 bedrijfsuren	<ul style="list-style-type: none">• Ververs de motorolie.
Bij elk gebruik of dagelijks	<ul style="list-style-type: none">• Het motoroliepeil controleren.• Controleer of de motor binnen 3 seconden stopt nadat u de bedieningsstang van het maimes hebt losgelaten.• Controleer het luchtfilter op vuil en schade, indien nodig reinigen of vervangen.
Na elk gebruik	<ul style="list-style-type: none">• Verwijder maaisel en vuil van de onderkant van de machinebehuizing.
Vóór de stalling	<ul style="list-style-type: none">• Laat de benzine uit de brandstoftank lopen voordat u vereiste reparaties uitvoert of de machine stalt.
Jaarlijks	<ul style="list-style-type: none">• Reinig of vervang het filter vaker als de maaier onder zeer stoffige omstandigheden wordt gebruikt.• Ververs de motorolie.• Het bovenste deel van de handgreep smeren• Vervang het maimes of laat het slijpen (vaker als de snijrand snel bot wordt).• Zie de Gebruikershandleiding van de motor voor eventuele verdere onderhoudsprocedures.

Belangrijk: Zie de gebruikershandleiding van de motor voor verdere onderhoudsprocedures.

Vorbereidingen voor onderhoudswerkzaamheden

1. Zet de motor af en wacht totdat alle bewegende onderdelen tot stilstand gekomen zijn.
2. Trek de bougiekabel los van de bougie (Figuur 37) voordat u onderhoudswerkzaamheden uitvoert.



G002901
Figuur 37

3. Nadat u de onderhoudswerkzaamheden hebt uitgevoerd, moet u de kabel weer aansluiten op de bougie.

Belangrijk: Voordat u de machine kantelt om olie te verversen of het mes te vervangen, moet u de machine gebruiken totdat de benzinetank leeg is. Als u de machine moet kantelen voordat de benzinetank leeg is, dient u de benzine met een handpomp uit de tank te pompen. Kantel de maaimachine altijd op de zijkant, met de peilstok omlaag.

⚠ WAARSCHUWING

Als u de machine kantelt, kan er benzine uit de tank lekken. Benzine is ontvlambaar en explosief en kan brandwonden veroorzaken.

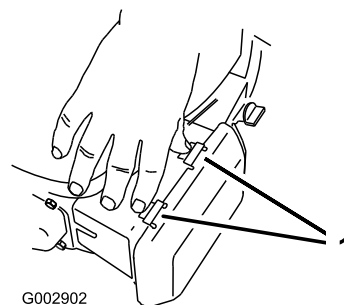
Laat de motor drooglopen of pomp de benzine met een handpomp uit de tank. Gebruik nooit een hevel.

Onderhoud van het luchtfilter

Onderhoudsinterval: Bij elk gebruik of dagelijks

Jaarlijks

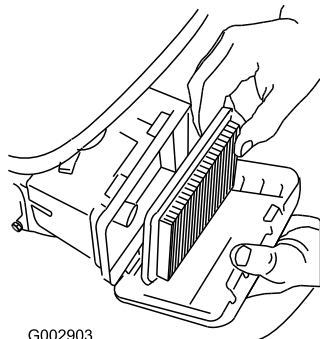
1. Druk de lippen van de vergrendeling bovenop de luchtfilterdeksel omlaag (Figuur 38).



G002902
Figuur 38

1. Lippen van vergrendeling
2. Open het deksel.

3. Verwijder het luchtfilter (Figuur 39).



G002903
Figuur 39

4. Als het luchtfilter is beschadigd of nat is van olie of brandstof, moet u het filter vervangen.
5. Als het luchtfilter vuil is, klop er dan een paar keer mee op een harde ondergrond of blaas met perslucht onder een druk van minder dan 2,07 bar door de zijde van het filter dat naar de motor is gericht.

Opmerking: Borstel het vuil niet uit het filter, als u borstelt wordt het vuil in de vezels geduwd.

6. Verwijder vuil van de luchtfilterbehuizing en het deksel met een vochtige doek. **Veeg geen vuil in de luchtgang.**
7. Plaats het filter op de juiste plaats.
8. Sluit het deksel.

Motorolie verversen

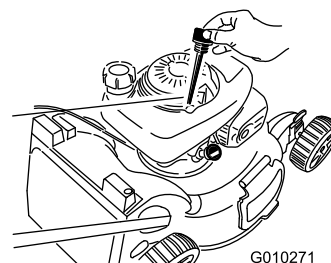
Onderhoudsinterval: Na de eerste 5 bedrijfsuren

Jaarlijks

1. Plaats de machine op een horizontaal oppervlak.
2. Controleer of de brandstoftank weinig of geen brandstof bevat zodat de brandstof niet lekt als u de maaier op de zijkant kantelt.
3. Voordat u de olie ververs, moet u de motor enkele minuten laten lopen zodat de olie warm wordt.

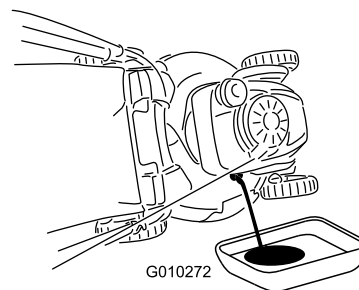
Opmerking: Warme olie is vloeibaarder en voert vervuilingen beter mee.

4. Verwijder de bougiekabel van de bougie; raadpleeg [Vorbereidingen voor onderhoudswerkzaamheden](#) (bladz. 17).
5. Plaats een opvangbak voor de olie naast de machine, aan de kant van de vulbuis.
6. Neem de peilstok uit de vulbuis (Figuur 40).



G010271
Figuur 40

7. Kantel de machine op zijn kant met de vulbuis omlaag om de gebruikte olie langs de vulbuis te laten uitlopen in een bak (Figuur 41).

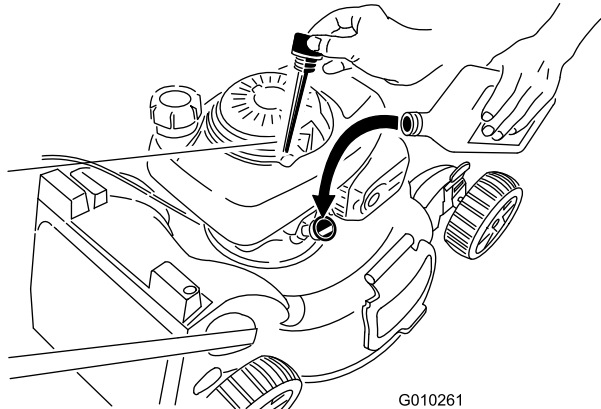
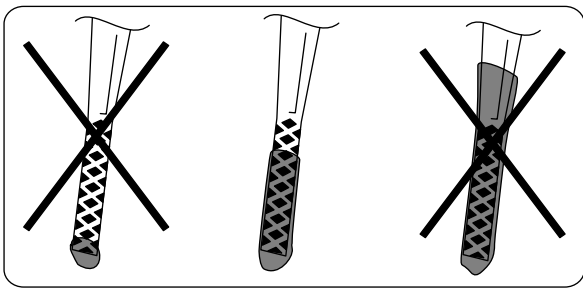


G010272
Figuur 41

8. Nadat de gebruikte olie is afgetapt, zet u de maaimachine terug in de werkstand.
9. Vul het carter voor ongeveer driekwart met olie.

Opmerking: Maximaal vullen: 0,55 liter, type: SAE 30 reinigingsolie, met onderhoudsclassificatie SF, SG, SH, SJ, SL van het American Petroleum Institute [API] of hoger.

10. Veeg de peilstok met een schone doek schoon.
11. Steek de peilstok in de vulbuis, **maar draai hem er niet in.**
12. Haal de peilstok eruit en controleer het oliepeil (Figuur 42).



Figuur 42

- Als het oliepeil te laag is, moet u langzaam een kleine hoeveelheid olie in de vulbuis gieten, 3 minuten wachten, en vervolgens stap 10 tot 12 herhalen tot het oliepeil de **Vol**-markering op de peilstok bereikt.
- Als het oliepeil te hoog is, tapt u de overtollige olie af tot het juiste oliepeil is bereikt; zie [Figuur 42](#).

Belangrijk: Als het oliepeil in het carter te hoog of te laag is en u laat de motor toch draaien, kunt u deze beschadigen.

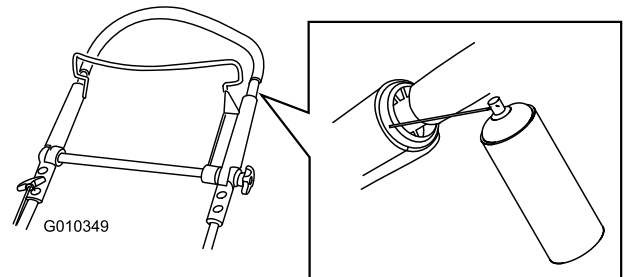
13. Plaats de peilstok goed in de vulbuis.
14. Geef de oude olie af bij een erkend inzamelpunt.

Het bovenste deel van de handgreep smeren

Onderhoudsinterval: Jaarlijks

Smeer de linker- en rechterkant van de bovenste handgreep in met een silicone smeerspray met lage viscositeit.

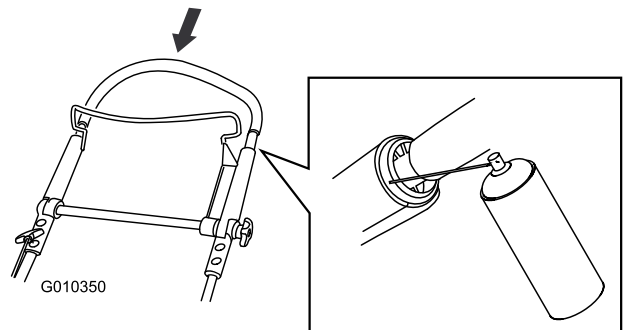
1. Spuit het plastic uiteinde van de binnenste handgreep in ([Figuur 43](#)).



Figuur 43

Opmerking: Gebruik het rietje dat bij de spuitbus hoort om de spray te kunnen richten.

2. Duw de bovenste handgreep helemaal naar beneden en spuit het binnenste plastic oppervlak van de buitenhendel in ([Figuur 44](#)).

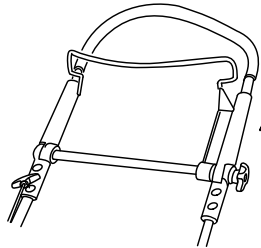
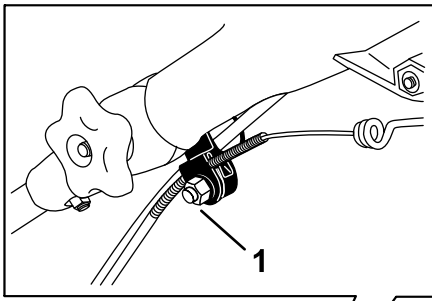


Figuur 44

Zelfaandrijving afstellen

Als de zelfaandrijving van uw maaimachine niet goed werkt, moet u de kabel van de zelfaandrijving afstellen.

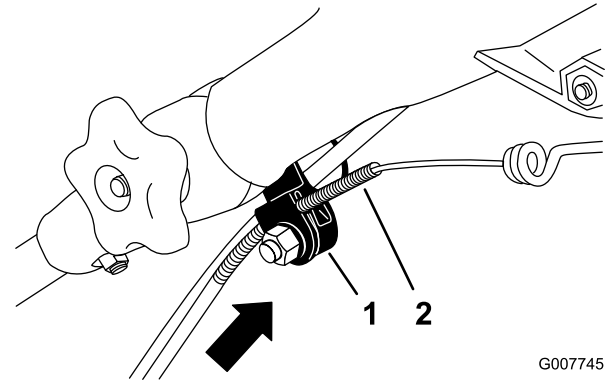
1. Draai de moer op de kabelbevestiging los ([Figuur 45](#)).



Figuur 45

G010351

1. Kabelbevestiging



Figuur 47

G007745

1. Kabelbevestiging
2. Kabelmantel

Belangrijk: Het omhoog duwen van de kabelmantel verlaagt de rijsnelheid. Het omlaag duwen van de mantel verhoogt de rijsnelheid.

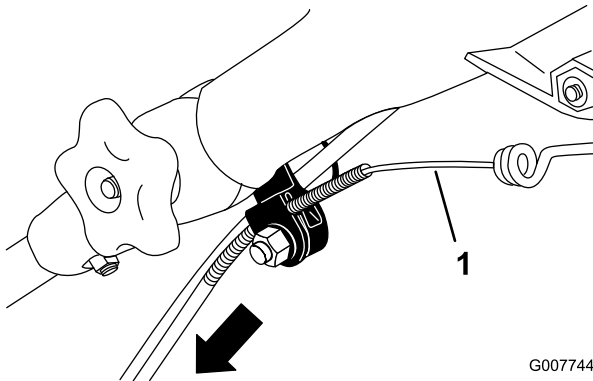
5. Draai de moer goed vast.
6. Start de maaimachine en controleer de afstelling.

Opmerking: Als de zelfaandrijving niet goed is afgesteld, moet u deze procedure herhalen.

2. Trek de bovenste handgreep helemaal naar achteren.

Opmerking: Als de handgreep niet vlot beweegt, raadpleeg dan [Het bovenste deel van de handgreep smeren](#) (bladz. 19).

3. Trek de kabelmantel naar beneden tot de speling in de blootgelegde kabel weg is ([Figuur 46](#)).



Figuur 46

G007744

1. Blootgelegde kabel

4. Duw de kabelmantel 3 mm omhoog.

Opmerking: U kunt een liniaal langs de bovenzijde van de zwarte kabelbevestiging houden en meten hoe ver het bovineind van de kabelmantel beweegt ([Figuur 47](#)).

Het maaimes vervangen

Onderhoudsinterval: Jaarlijks

Belangrijk: U hebt een *momentsleutel* nodig om het mes op correcte wijze te monteren. Als u geen momentsleutel hebt of niet goed weet hoe u de montage moet uitvoeren, kunt u contact opnemen met een erkende servicedealer.

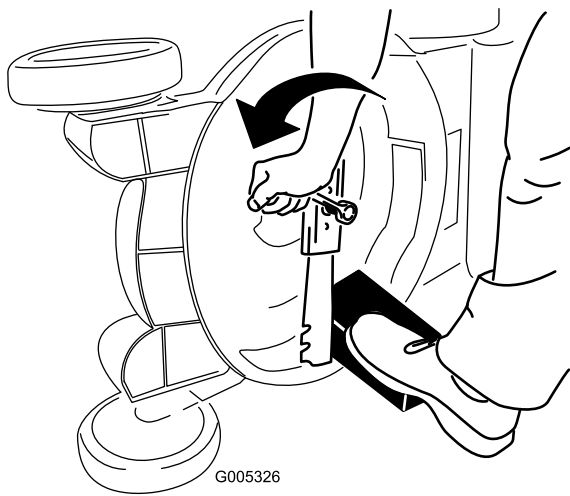
Controleer het mes wanneer de benzinetank leeg is. Een beschadigd of gescheurd mes moet direct worden vervangen. Als de snijrand bot is of bramen vertoont, moet u het mes laten slijpen en balanceren of het mes vervangen.

⚠ WAARSCHUWING

Het maaimes is scherp, contact met het maaimes kan ernstig lichamelijk letsel veroorzaken.

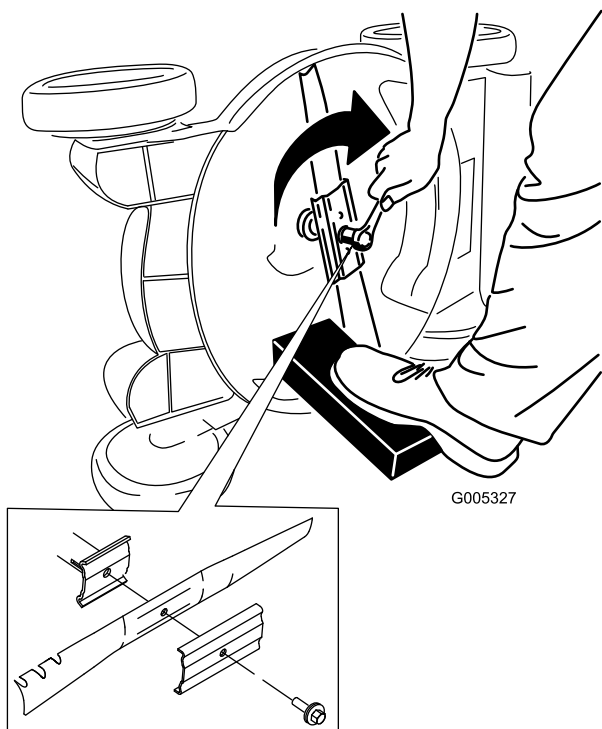
Gebruik handschoenen als u het mes monteert.

1. Maak de bougiekabel los van de bougie. Zie [Vorbereidingen voor onderhoudswerkzaamheden](#) (bladz. 17).
2. Kantel de maaimachine op de zijkant, met de peilstok omlaag.
3. Gebruik een blok hout om het mes stil te houden ([Figuur 48](#)).



Figuur 48

4. Verwijder het mes en bewaar alle bevestigingselementen (Figuur 48).
5. Monteer het nieuwe mes en alle bevestigingselementen (Figuur 49).



Figuur 49

Belangrijk: De gebogen uiteinden van het mes moeten naar de machine wijzen.

6. Gebruik een momentsleutel om de mesbout vast te draaien met een torsie van 82 Nm.

Belangrijk: Een bout die is vastgedraaid met een torsie van 82 Nm, zit erg vast. Zet het mes vast met een stuk hout en plaats uw volle gewicht achter de (dop)sleutel om de bout goed vast te draaien. Het is erg moeilijk om deze bout te vast te draaien.

De onderkant van de machinebehuizing reinigen

Onderhoudsinterval: Na elk gebruik

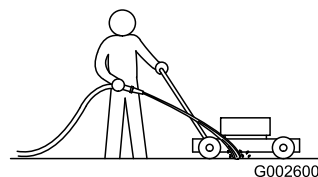
⚠ WAARSCHUWING

Er kan materiaal losraken dat zit vastgekoekt aan de onderkant van de maaimachine.

- Draag oogbescherming.
- Blijf in de bedieningspositie (achter de handgreep) staan als de motor loopt.
- Houd omstanders uit de buurt.

Om de beste resultaten te verkrijgen, dient u onder de machinebehuizing te reinigen zodra u klaar bent met maaien.

1. Zet de machine in de laagste maaistand; zie [De maaihogte instellen \(bladz. 11\)](#).
2. Plaats de maaimachine op een vlakke en verharde ondergrond.
3. Terwijl de motor en het maimes ingeschakeld zijn, spuit u een straal water voor het rechter achterwiel (Afbeelding 49).



Figuur 50

Opmerking: Het opspattende water komt dan in de baan van het maimes en spoelt het maaisel weg.

4. Als er geen maaisel meer onder vandaan komt, draait u de kraan dicht en brengt u de machine naar een droge plaats.
5. Laat de motor een paar minuten lopen terwijl het maimes ingeschakeld is om de behuizing te drogen zodat deze niet gaat roesten.

Stalling

Stal de maaimachine op een koele, schone, droge plaats.

Vorbereidingen voor stalling

⚠ WAARSCHUWING

Benzinedampen kunnen tot ontploffing komen.

- Bewaar benzine niet langer dan 30 dagen.
 - Stal de machine nooit in een afgesloten ruimte in de nabijheid van open vuur.
 - Laat de motor afkoelen voordat u de machine stalt.
1. Als u de tank voor de laatste keer van het jaar vult, moet u een stabilizer toevoegen aan de benzine volgens de voorschriften van de fabrikant.
 2. U moet ongebruikte brandstof op de juiste wijze afvoeren. Voer deze brandstof af volgens de plaatselijk geldende voorschriften of gebruik deze voor uw auto.

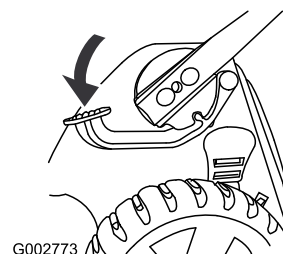
Opmerking: Oude brandstof in de tank is de belangrijkste oorzaak voor startproblemen. Bewaar benzine zonder stabilizer niet langer dan 30 dagen en benzine waaraan stabilizer is toegevoegd, niet langer dan 90 dagen.

3. Laat de motor lopen totdat hij afslaat door gebrek aan benzine.
4. Start de motor opnieuw.
5. Laat de motor lopen totdat deze afslaat. Als de motor niet meer wil starten, is de brandstof voldoende verbruikt.
6. Verwijder de bougiekabel van de bougie.
7. Verwijder de bougie, giet 30 ml olie in de bougie-opening en trek verschillende keren langzaam aan het startkoord om de olie over de cilinderwand te verspreiden teneinde corrosie in de stallingsperiode te voorkomen.
8. Monteer de bougie zonder deze vast te draaien.
9. Draai alle moeren, bouten en schroeven goed aan.

De handgreep inklappen

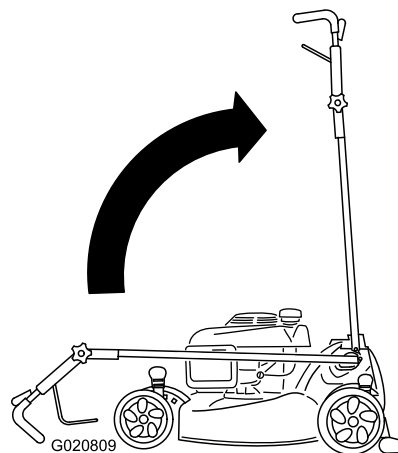
Rechtop zetten

1. Houd het pedaal ingetrapt (Figuur 51).



Figuur 51

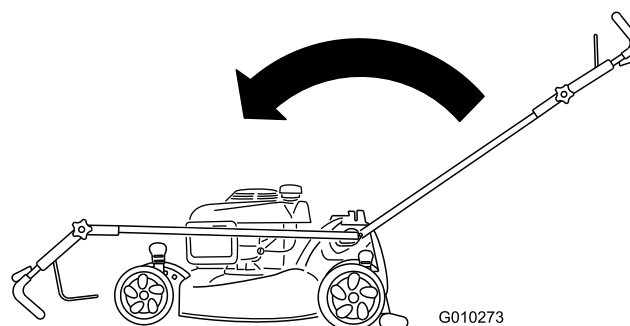
2. Zet de handgreep rechtop (Figuur 52).



Figuur 52

Naar voren klappen

1. Zet de handgreep rechtop en houd het pedaal ingetrapt.
2. Klap de handgreep helemaal naar voren en draai de knop van de bovenste handgreep los (Figuur 53).



Figuur 53

3. Om de handgreep uit te vouwen, zie 1 De handgreep uitklappen (bladz. 6).

Haal de maaimachine uit de stalling

1. Controleer alle bevestigingen en draai deze vast.
2. Verwijder de bougies en laat de motor snel draaien door aan de handgreep van het startkoord te trekken om de overmatige olie uit de cilinder te verwijderen.
3. Plaats de bougie en draai hem met behulp van een momentsleutel vast met een torsie van 20 Nm.
4. Voer de onderhoudsprocedures uit; zie [Onderhoud \(bladz. 17\)](#).
5. Controleer het oliepeil in de motor; zie [Het motoroliepeil controleren \(bladz. 11\)](#).
6. Vul de brandstoftank met verse benzine; zie [De brandstoftank vullen \(bladz. 10\)](#).
7. Sluit de bougiekabel aan op de bougie.

Opmerkingen:

Opmerkingen:

Opmerkingen:

Lijst met internationale dealers

Dealer:	Land:	Telefoonnummer:	Dealer:	Land:	Telefoonnummer:
Agrolanc Kft	Hongarije	36 27 539 640	Maquiver S.A.	Colombia	57 1 236 4079
Balama Prima Engineering Equip.	Hongkong	852 2155 2163	Maruyama Mfg. Co. Inc.	Japan	81 3 3252 2285
B-Ray Corporation	Korea	82 32 551 2076	Mountfield a.s.	Tsjechië	420 255 704 220
Casco Sales Company	Puerto Rico	787 788 8383	Mountfield a.s.	Slowakije	420 255 704 220
Ceres S.A.	Costa Rica	506 239 1138	Munditol S.A.	Argentinië	54 11 4 821 9999
CSSC Turf Equipment (pvt) Ltd.	Sri Lanka	94 11 2746100	Norma Garden	Rusland	7 495 411 61 20
Cyril Johnston & Co.	Noord-Ierland	44 2890 813 121	Oslinger Turf Equipment S.A.	Ecuador	593 4 239 6970
Cyril Johnston & Co.	Republiek Ierland	44 2890 813 121	Oy Hako Ground and Garden Ab	Finland	358 987 00733
Equiver	Mexico	52 55 539 95444	Parkland Products Ltd.	Nieuw-Zeeland	64 3 34 93760
Femco S.A.	Guatemala	502 442 3277	Perfetto	Polen	48 61 8 208 416
ForGarder OU	Estland	372 384 6060	Pratoverde SRL.	Italië	39 049 9128 128
G.Y.K. Company Ltd.	Japan	81 726 325 861	Prochaska & Cie	Oostenrijk	43 1 278 5100
Geomechaniki of Athens	Griekenland	30 10 935 0054	RT Cohen 2004 Ltd.	Israël	972 986 17979
Golf international Turizm	Turkije	90 216 336 5993	Riversa	Spanje	34 9 52 83 7500
Guandong Golden Star	China	86 20 876 51338	Lely Turfcare	Denemarken	45 66 109 200
Hako Ground and Garden	Zweden	46 35 10 0000	Solvert S.A.S.	Frankrijk	33 1 30 81 77 00
Hako Ground and Garden	Noorwegen	47 22 90 7760	Spypros Stavrinides Limited	Cyprus	357 22 434131
Hayter Limited (U.K.)	Verenigd Koninkrijk	44 1279 723 444	Surge Systems India Limited	India	91 1 292299901
Hydroturf Int. Co Dubai	Verenigde Arabische Emiraten	97 14 347 9479	T-Markt Logistics Ltd.	Hongarije	36 26 525 500
Hydroturf Egypt LLC	Egypte	202 519 4308	Toro Australia	Australië	61 3 9580 7355
Irrimac	Portugal	351 21 238 8260	Toro Europe NV	België	32 14 562 960
Irrigation Products Int'l Pvt Ltd.	India	0091 44 2449 4387	Valtech	Marokko	212 5 3766 3636
Jean Heybroek BV	Nederland	31 30 639 4611	Victus Emak	Polen	48 61 823 8369

Privacyverklaring voor Europa

De informatie die Toro verzamelt

Toro Warranty Company (Toro) respecteert uw privacy. Om uw aanspraak op garantie te behandelen en contact met u op te nemen in het geval van een terugroepactie vragen wij om bepaalde persoonlijke informatie, hetzij direct of via uw lokale Toro-dealer.

Het Toro garantiesysteem wordt gehost op servers in de Verenigde Staten, waar de privacywet mogelijk niet dezelfde bescherming biedt als in uw land.

DOOR UW PERSOONLIJKE GEGEVENS MET ONS TE DELEN STEM T U IN MET DE VERWERKING VAN UW PERSOONSGEGEVENS ZOALS BESCHREVEN IN DEZE PRIVACYVERKLARING.

Hoe Toro informatie gebruikt

Toro kan uw persoonsgegevens gebruiken om uw aanspraak op garantie te behandelen, contact met u op te nemen in het geval van een terugroepactie, of voor een ander doeleinde waarvan we u op de hoogte brengen. Toro kan uw informatie delen met zijn afdelingen, dealers of andere zakenpartners in verband met deze activiteiten. We verkopen uw persoonsgegevens niet aan andere bedrijven. We behouden ons het recht voor om persoonsgegevens te delen teneinde te voldoen aan geldende wetten en verzoeken van de aangewezen autoriteiten, opdat wij onze systemen naar behoren kunnen gebruiken of met het oog op onze eigen bescherming of die van andere gebruikers.

Behoud van uw persoonlijke informatie

Wij bewaren uw persoonsgegevens zo lang als nodig is voor de doeleinden waarvoor ze oorspronkelijk werden verzameld of voor andere legitieme doeleinden (zoals naleving van voorschriften), of zo lang als vereist is door de van toepassing zijnde wet.

Toro's engagement voor de bescherming van uw persoonlijke informatie

Wij nemen redelijke voorzorgen om uw persoonlijke informatie te beschermen. We proberen bovendien de nauwkeurigheid en geldigheid van persoonlijke gegevens te waarborgen.

Toegang tot en aanpassing van uw persoonlijke informatie

Als u toegang wenst tot uw persoonlijke gegevens of deze wilt aanpassen, gelieve dan een e-mail te sturen naar legal@toro.com.

Australische consumentenwet

Australische klanten kunnen voor informatie over de Australische consumentenwet (Australian Consumer Law) terecht bij de lokale Toro-verdeler of ze kunnen deze informatie in de doos vinden.



Toro Garantie en De Toro GTS-startgarantie

Producten voor particulieren

Voorwaarden en producten waarvoor de garantie geldt

De Toro Company en de hieraan gelieerde onderneming, Toro Warranty Company, bieden krachtens een overeenkomst tussen beide ondernemingen de oorspronkelijke koper¹ gezamenlijk de garantie dat ze het hieronder vermelde Toro-product zullen repareren als het materiaalgebreken of fabricagefouten vertoont of als de Toro GTS (Guaranteed to Start) motor niet start bij de eerste of de tweede poging, op voorwaarde dat het routineonderhoud dat vereist wordt door de *Gebruikershandleiding* uitgevoerd is.

De volgende perioden zijn van toepassing vanaf de datum van aankoop:

Producten	Garantieperiode
Motorgazonmaaiers • Gegoten maaidek	5 jaar thuisgebruik ² 90 dagen commercieel gebruik
• Motor	5 jaar GTS-garantie, thuisgebruik ³
• Accu	2 jaar
• Maaiers met stalen maaidek	2 jaar thuisgebruik ² 30 dagen commercieel gebruik
• Motor	2 jaar GTS-garantie, thuisgebruik ³
TimeMaster maaiers	3 jaar thuisgebruik ² 90 dagen commercieel gebruik
• Motor	3 jaar GTS-garantie, thuisgebruik ³
• Accu	2 jaar
Elektrische trimmers en bladblazers en motorgrasmaaiers	2 jaar thuisgebruik ² geen garantie voor commercieel gebruik
Sneeuwruimers • Enkel stadium	2 jaar thuisgebruik ² 45 dagen commercieel gebruik
• Motor	2 jaar GTS-garantie, thuisgebruik ³
• Twee stadia	3 jaar thuisgebruik ² 45 dagen commercieel gebruik
• Kanaal, kanaalgeleider en kap van rotorbehuizing	Levenslang (alleen oorspronkelijke eigenaar) ⁵
Elektrische sneeuwruimers	2 jaar thuisgebruik ² Geen garantie voor commercieel gebruik
Alle onderstaande zitmaaiers	
• Motor	Raadpleeg de garantie van de motorfabrikant ⁴
• Accu	2 jaar thuisgebruik ²
• Werktuigen	2 jaar thuisgebruik ²
DH gazon- en tuintractoren	2 jaar thuisgebruik ² 30 dagen commercieel gebruik
XLS gazon- en tuintractoren	3 jaar thuisgebruik ² 30 dagen commercieel gebruik
TimeCutter	3 jaar thuisgebruik ² 30 dagen commercieel gebruik
TITAN maaiers • Frame	3 jaar of 240 uur ⁵ Levenslang (alleen oorspronkelijke eigenaar) ⁵

¹Oorspronkelijke koper: de persoon die het Toro-product oorspronkelijk heeft gekocht.

²Thuisgebruik betekent gebruik van het product op het terrein dat bij uw huis hoort. Gebruik op meerdere locaties wordt beschouwd als commercieel gebruik. Hierop is de garantie voor commercieel gebruik van toepassing.

³De Toro GTS-startgarantie is niet van toepassing op producten die commercieel gebruikt worden.

⁴Voor bepaalde motoren van Toro-producten geldt een garantie van de fabrikant van de motor.

⁵De optie die zich het eerst aandient, moet worden aangehouden.

⁶Levenslange garantie op het frame – Als het hoofdframe, bestaand uit de onderdelen die aan elkaar zijn gelast en die samen de structuur van de tractor vormen en waaraan andere onderdelen zoals de motor zijn bevestigd, scheuren of breuken vertoont na normaal gebruik, wordt het frame onder garantie gerepareerd of vervangen, naar de voorkeur van het bedrijf Toro, zonder kosten voor onderdelen of arbeid. Als het frame gebreken vertoont ten gevolge van misbruik of verkeerd gebruik of ten gevolge van corrosie, dan dekt de garantie dat niet.

De garantie kan vervallen als de urmeter is afgekoppeld of aangepast, of als er aanwijzingen zijn dat ermee geknoeid is.

Plichten van de eigenaar

U dient uw Toro-product te onderhouden zoals wordt beschreven in de *Gebruikershandleiding*. Dit routineonderhoud is voor uw rekening, ongeacht of dit wordt uitgevoerd door de dealer of uzelf.

Aanwijzingen voor aanvraag van garantieservice

Als u van mening bent dat een Toro-product materiaalgebreken of fabricagefouten vertoont, moet u deze procedure volgen:

1. Neem contact op met de verkoper om het product te laten nakijken of te repareren. Als u om wat voor reden dan ook geen contact kunt opnemen met de verkoper, neem dan contact op met een andere erkende Toro-dealer om onderhoud te laten plegen. Zie bijgevoegde lijst met dealers.
2. Breng het product met uw aankoopbewijs (kwitantie) naar de onderhoudsgarage. Als u om wat voor reden dan ook ontevreden bent over het onderzoek van de onderhoudsgarage of de verleende hulp, verzoeken wij u contact met ons op te nemen via:

Toro Customer Care Department, RLC Division
Toro Warranty Company
8111 Lyndale Avenue South
Bloomington, MN 55420-1196 VS
001-952-948-4707

Zaken en gevallen die niet onder de garantie vallen

Er is geen andere uitdrukkelijke garantie behalve voor speciale emissiesystemen en motoren van sommige producten. Buiten deze expliciete garantie vallen:

- Kosten van gewoon onderhoud of onderdelen, zoals filters, brandstof, smeermiddelen, olieversingen, bougies, luchtfilters, slijpen van maaimessen, versleten maaimessen, afstelling van kabels/overbrengingsmechanismen, afstelling van de rem en de koppeling.
- Onderdelen die het laten afweten ten gevolge van normale slijtage
- Elk product of onderdeel dat is veranderd, verwaarloosd of verkeerd is gebruikt en moet worden vervangen of worden gerepareerd als gevolg van ongelukken of gebrekkig onderhoud.
- Ophaal- en afleverkosten
- Reparaties of reparatiepogingen die niet zijn uitgevoerd door een Erkende Toro Service Dealer
- Vervangingen die nodig zijn door niet-naleving van de brandstofs specificaties (raadpleeg de *Gebruikershandleiding* voor meer informatie)
 - Verontreiniging uit het brandstofsysteem halen wordt niet gedekt
 - Gebruik van oude brandstof (meer dan een maand oud) of brandstof die meer dan 10% ethanol of meer dan 15% MTBE bevat
 - Het brandstofsysteem is niet goed voorbereid op een periode van buitengebruikstelling van langer dan één maand
- Reparaties of aanpassingen om startproblemen te verhelpen die zijn veroorzaakt door de volgende zaken:
 - Niet-naleving van de juiste onderhoudsprocedures of brandstofs specificaties
 - Draaiende messen die een object raken
- Speciale omstandigheden waarbij voor het starten mogelijk vaker dan twee keer moet worden getrokken:
 - Eerste keer starten nadat de machine een lange periode (langer dan 3 maanden) niet is gebruikt of na de seizoensstalling
 - Starten bij koude temperaturen zoals in de vroege lente of de late herfst
 - Onjuiste startprocedures – als u problemen hebt bij het starten van uw machine, raadpleeg dan de *Gebruikershandleiding* om te controleren of u de juiste startprocedure gebruikt. Dit kan u een onnodig bezoek aan een erkende Toro servicedealer besparen.

Algemene voorwaarden

De koper wordt beschermd door de nationale wetgeving van elk land. De rechten waarover de koper beschikt op grond van deze wetgeving, worden niet beperkt door deze garantie.