



Count on it.

Parts Catalog

55cm Recycler®

Lawn Mower

Model No. 20956—Serial No. 40000000 and Up



Ordering Replacement Parts

To order replacement parts, please supply the part number, the quantity, and the description of each part desired.

Understanding Reference Numbers

Each identified part in an illustration has a reference number. The reference number for a part also appears in the parts list, along with other information about the part.

This catalog uses two special reference number formats, one to indicate parts in a service assembly and another to indicate the quantity of a given part in an illustration.

Service Assembly Reference Numbers

Parts in service assemblies have reference numbers in the form a:b. The a represents the reference number of the entire service assembly and the b represents a sequential number unique to each part within the service assembly.

For example, a wheel assembly might be identified by reference number 6, the tire by 6:1, the valve by 6:2, and the wheel by 6:3. When you order the assembly identified by reference number 6, you receive all parts identified by reference numbers 6:1, 6:2, and 6:3. However, you may also order any part individually. Reference numbers of this type appear in illustration and in parts lists.

Reference Numbers Indicating Quantity

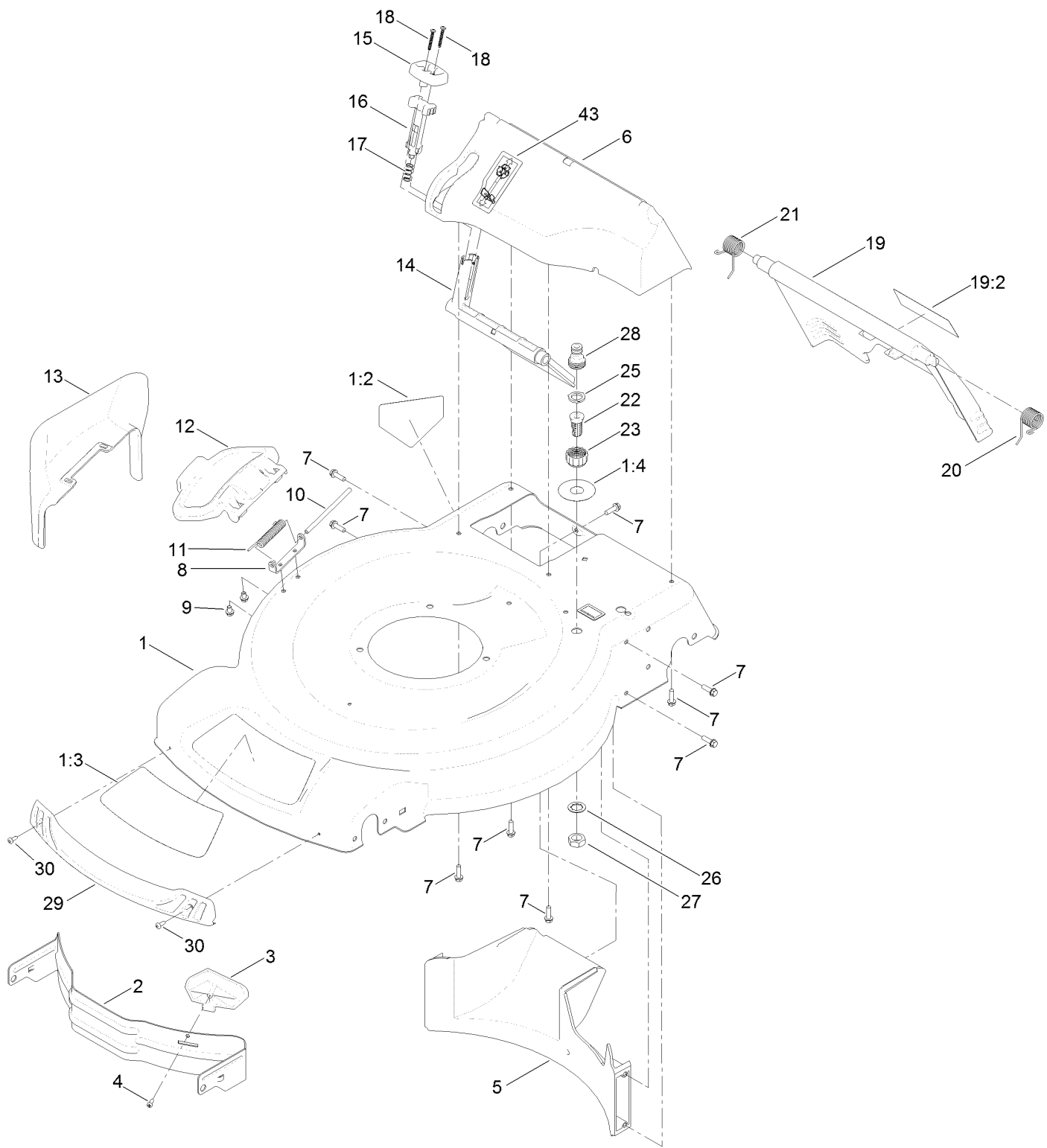
In an illustration, if a reference number indicates more than one part, the reference number has the form nX y. The n represents the quantity of the part, the X is the multiplication symbol, and the y represents the reference number.

For example, in an illustration, the reference number 2X 37 means that two of the parts identified by reference number 37 are indicated.

Contents

Deck, Side Chute and Rear Door Assembly	4
Rear Bag Assembly	6
Engine and Blade Assembly	8
Front Wheel and Height-of-Cut Assembly	10
Height-of-Cut and Rear Wheel Assembly	12
Handle Assembly	14
Electrical Assembly	16
Attachments and Accessories	18

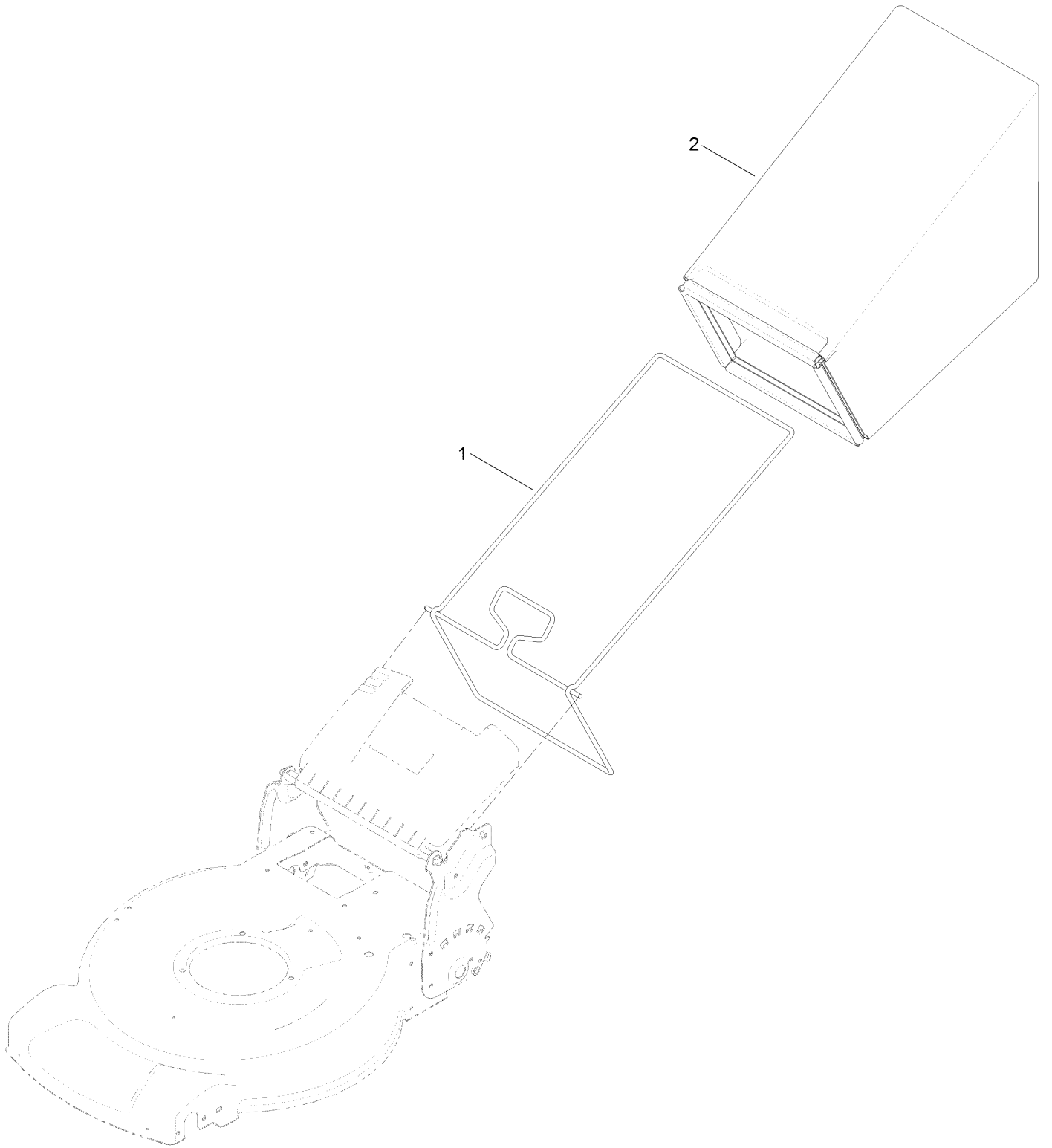
Deck, Side Chute and Rear Door Assembly



Deck, Side Chute and Rear Door Assembly (continued)

<i>Ref.</i>	<i>Part Number</i>	<i>Qty.</i>	<i>Description</i>	<i>Ref.</i>	<i>Part Number</i>	<i>Qty.</i>	<i>Description</i>
1	130-2390	1	Housing ASM	16	114-7959	1	Latch-Recycle
1:2	112-8760	1	Decal-Danger	17	117-1031	1	Spring-Compression
1:3	120-3324	1	Decal	18	32104-120	2	Screw-PPH
1:4	112-8867	1	Decal-Port, Washout	19	121-5776	1	Rear Door ASM
2	115-4667-01	1	Baffle-Front	19:2	131-4514	1	Decal-Warning
3	115-4672	1	Kicker-Front	20	115-2859	1	Spring-Torsion
4	32144-111	1	Screw-PPH	21	114-7924	1	Spring-Torsion
5	114-7961	1	Baffle-Rear	22	112-6400	1	Port-Washout
6	132-4500	1	Chute-Recycle	23	112-6401	1	Coupling-Hose, Washout Port
7	46-8091	9	Screw-HWH	25	112-6438	1	Washer-Seal, Washout Port
8	112-6416	1	Bracket-Cover	26	3254-5	1	Washer-Tooth, Internal
9	99-8445	2	Screw-HWH	27	3218-6	1	Nut-Jam
10	99-5291	1	Rod-Cover	28	112-6437	1	Adapter-Connect, Quick
11	99-5293	1	Spring-Torsion	29	114-7987	1	Bumper
12	115-8449	1	Deflector-Side	30	105-6849	2	Screw-Forming, Thread
13	115-8447	1	Chute-Discharge, Side	43	125-5026	1	Decal
14	114-7960	1	Deflector-Recycle				
15	114-7958	1	Knob-Recycle				

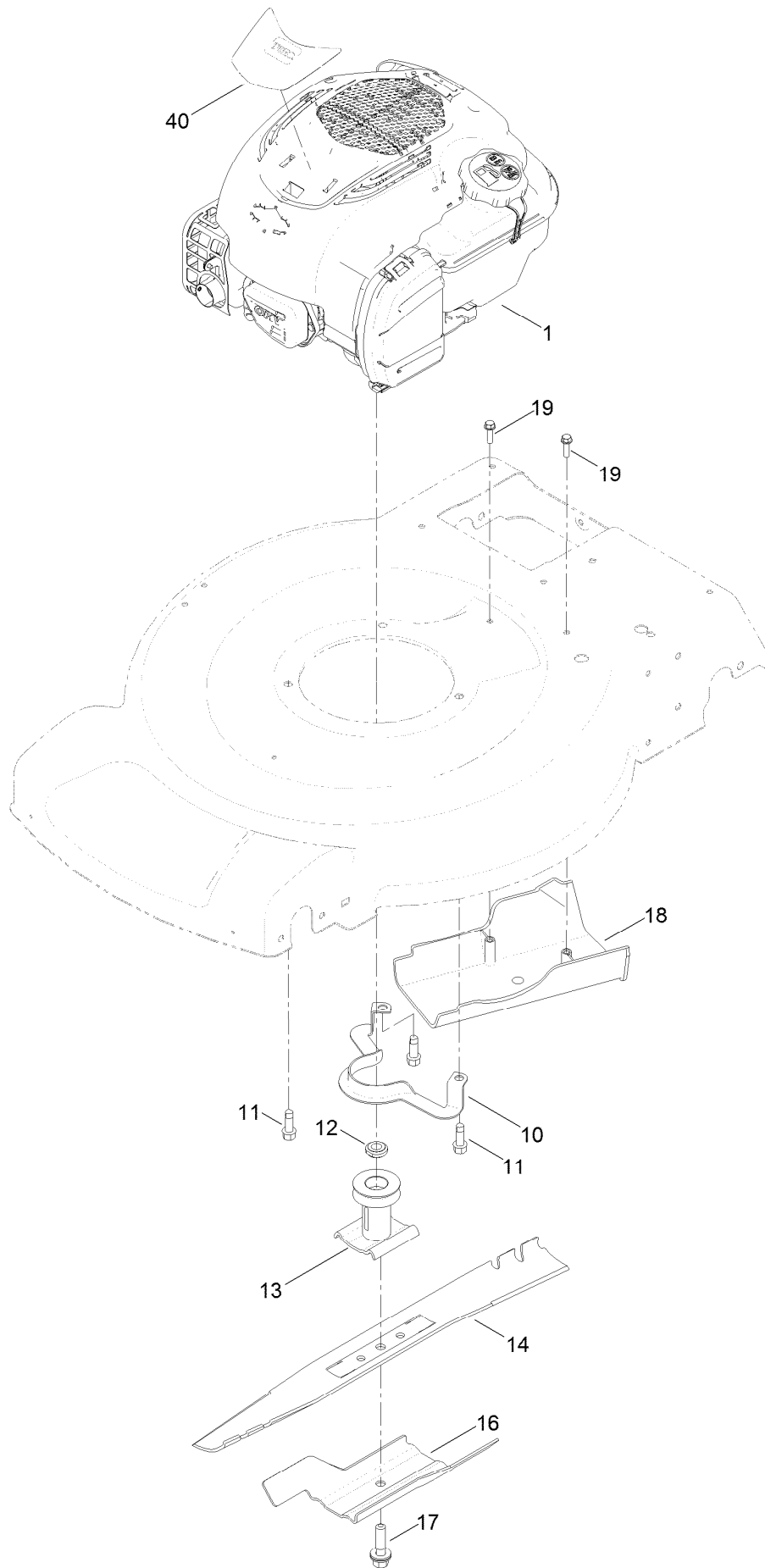
Rear Bag Assembly



Rear Bag Assembly (continued)

<i>Ref.</i>	<i>Part Number</i>	<i>Qty.</i>	<i>Description</i>
1	132-4529-03	1	Bag Frame ASM
2	115-4673	1	Grass Bag ASM

Engine and Blade Assembly



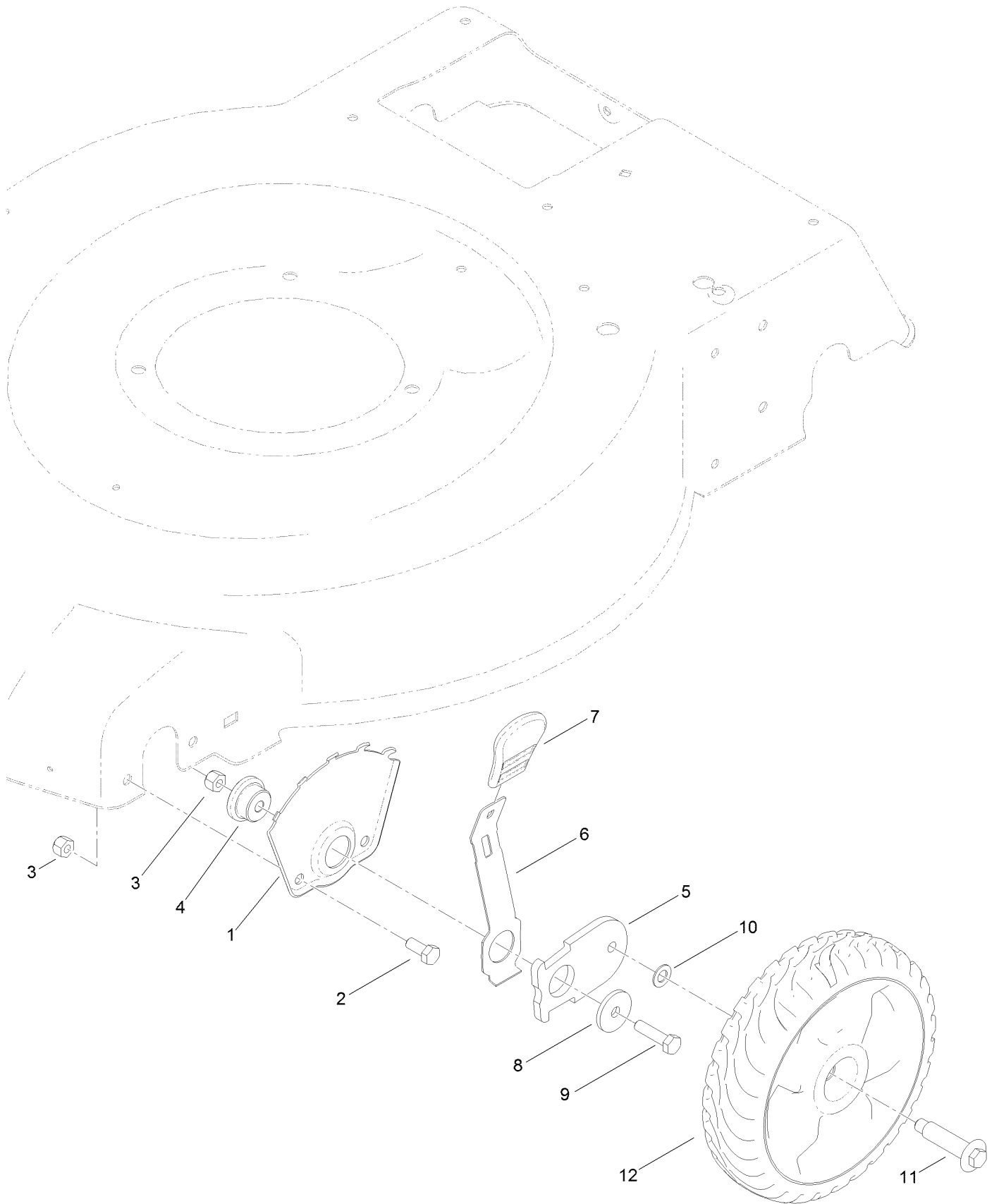
Engine and Blade Assembly (continued)

<i>Ref.</i>	<i>Part Number</i>	<i>Qty.</i>	<i>Description</i>	<i>Ref.</i>	<i>Part Number</i>	<i>Qty.</i>	<i>Description</i>
1		1	Engine-Briggs 104M050051F1 ●■	14	131-9683-03	1	Blade
10	105-3030-03	1	Guide-Belt	16	105-6848-03	1	Accelerator-Blade
11	95-1726	3	Screw-Taptite	17	125-2466	1	Bolt-Blade
12	106-3999	1	Spacer-Driver	18	114-7937	1	Cover-Belt
13	106-3987	1	Driver-Blade	19	46-8091	2	Screw-HWH
				40	132-4472	1	Decal-Shroud

● Not serviced separately

■ Obtain parts from www.briggsandstratton.com

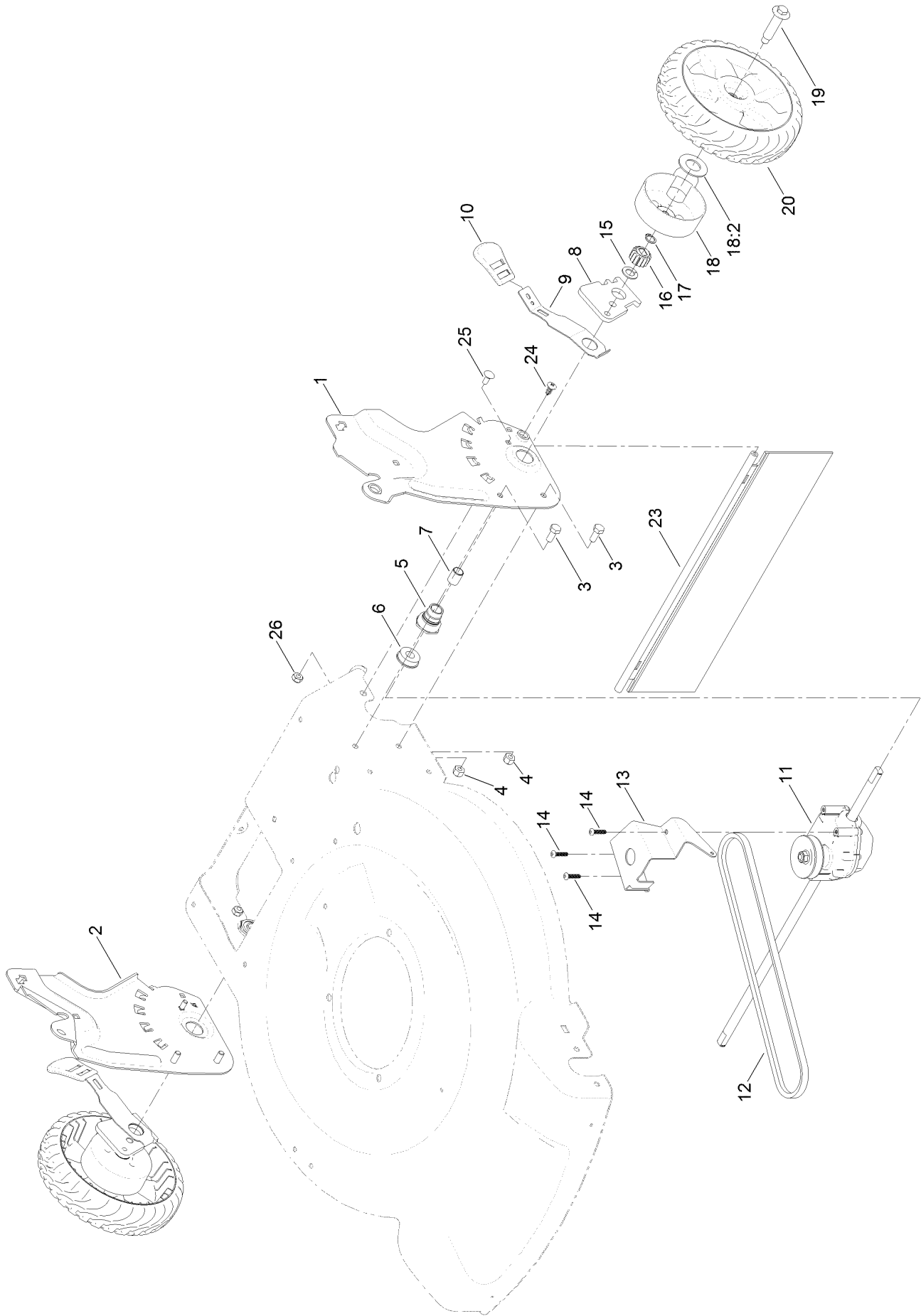
Front Wheel and Height-of-Cut Assembly



Front Wheel and Height-of-Cut Assembly (continued)

<i>Ref.</i>	<i>Part Number</i>	<i>Qty.</i>	<i>Description</i>	<i>Ref.</i>	<i>Part Number</i>	<i>Qty.</i>	<i>Description</i>
1	115-1956-03	2	Plate-HOC, Front	7	110-0549	2	Knob-HOC
2	322-3	4	Screw-HH	8	105-3048	2	Washer-Flat
3	3296-29	6	Nut-Lock, NI	9	322-6	2	Screw-HH
4	105-1818	2	Bushing-Mount, HOC	10	40-1940	2	Washer
5	105-1807	2	Arm-Pivot, Front	11	614650	2	Bolt-Shoulder
6	105-1809	2	Arm-Spring	12	115-2894	2	8 Inch Wheel ASM

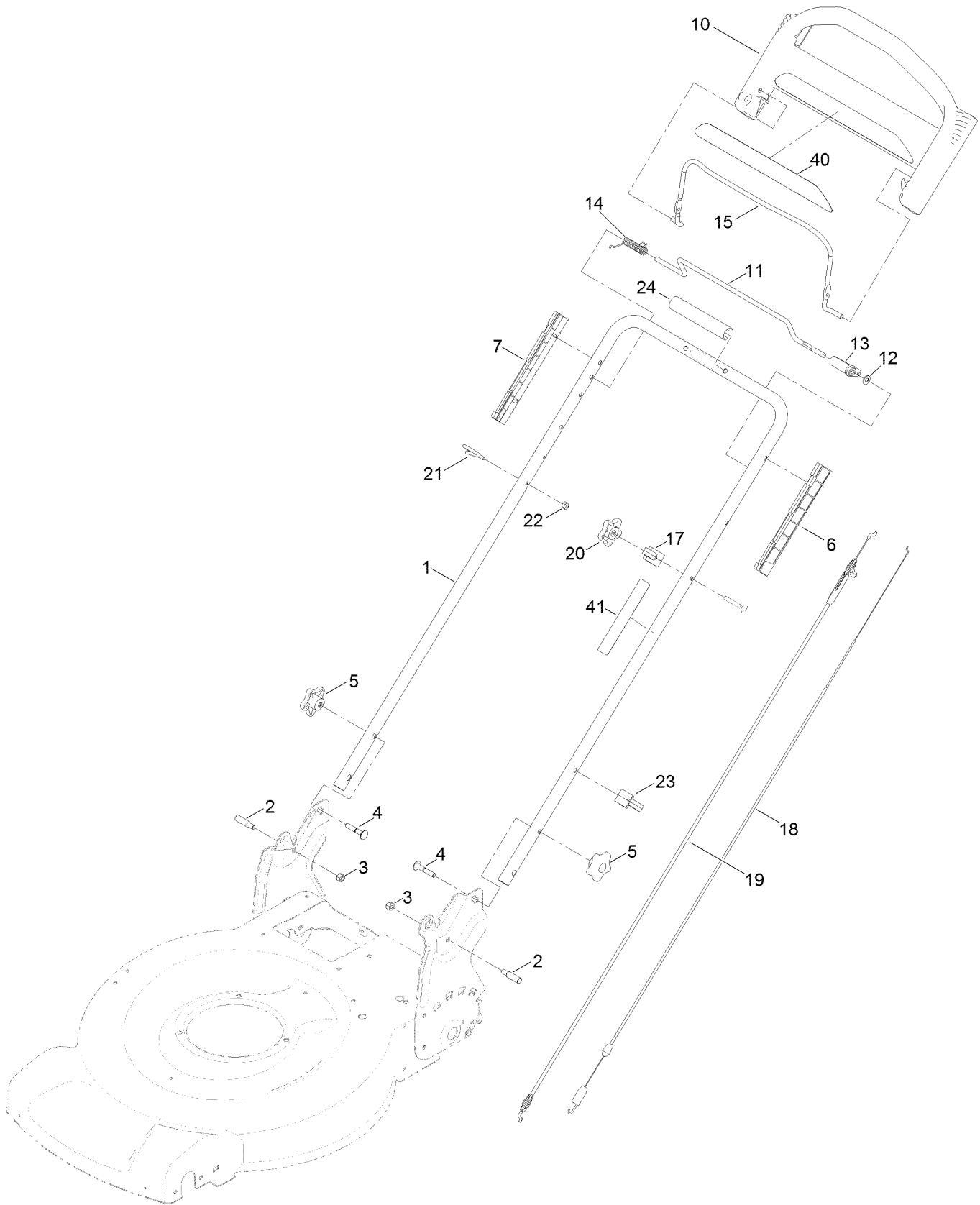
Height-of-Cut and Rear Wheel Assembly



Height-of-Cut and Rear Wheel Assembly (continued)

<i>Ref.</i>	<i>Part Number</i>	<i>Qty.</i>	<i>Description</i>	<i>Ref.</i>	<i>Part Number</i>	<i>Qty.</i>	<i>Description</i>
1	131-9693-03	1	Plate-HOC, LH	14	108-7476	3	Screw-Plastite
2	131-9694-03	1	Plate-HOC, RH	15	110-7191	2	Washer-Thrust
3	322-3	4	Screw-HH	16	131-5399	2	Gear-Pinion, 15T
4	3296-29	4	Nut-Lock, NI	17	32151-61	2	Ring-Retaining
5	108-9779	2	Retainer-Bushing, HOC	18	132-4480	2	Cover-Gear
6	104-8699	2	Bearing-Ball	18:2	614426	1	Washer-Stepped
7	108-9782	2	Bushing-Sleeve	19	614650	2	Bolt-Shoulder
8	132-4459	2	Arm-Pivot, Rear	20	119-3822	2	8 Inch Wheel Gear ASM
9	108-9780	2	Arm-Spring	23	120-7012	1	Shield-Trailing
10	110-0549	2	Knob-HOC	24	117-1092	2	Screw-PTH
11	121-9178	1	Transmission ASM	25	3229-11	2	Screw-CARR
12	115-4669	1	Belt-V	26	3296-16	2	Nut-Lock, NI
13	114-7977-03	1	Bracket-Transmission				

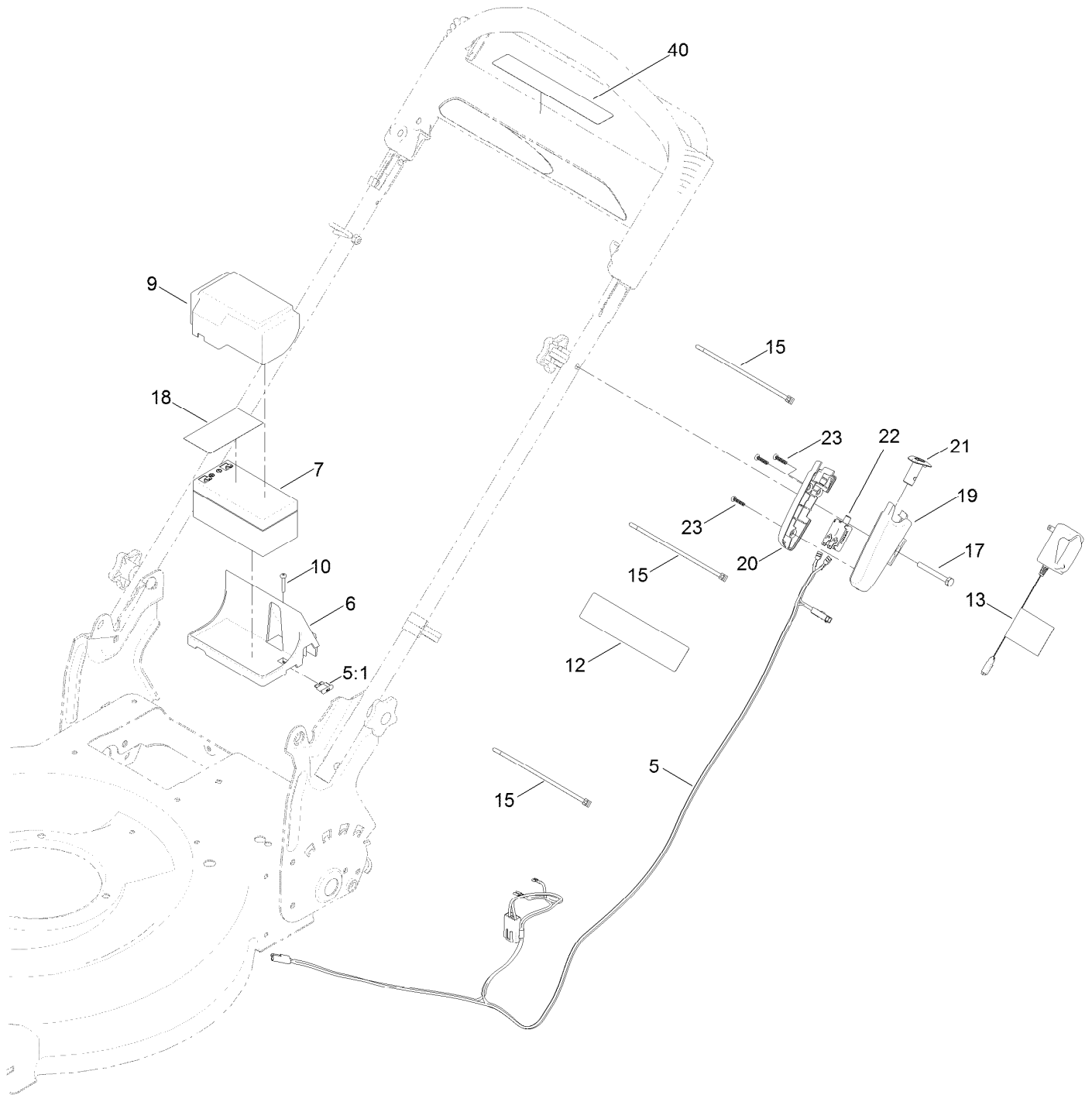
Handle Assembly



Handle Assembly (continued)

<i>Ref.</i>	<i>Part Number</i>	<i>Qty.</i>	<i>Description</i>	<i>Ref.</i>	<i>Part Number</i>	<i>Qty.</i>	<i>Description</i>
1	131-9695-05	1	Handle	15	131-0880-03	1	Bail-Brake
2	131-4591	2	Bolt-Shoulder	17	136-5864	1	Anchor-Cable
3	3296-29	2	Nut-Lock, NI	18	115-8435	1	Cable-Traction
4	131-9663	2	Screw-CARR	19	115-8437	1	Cable-Brake
5	117-5976	2	Knob-Handle	20	131-0897	1	Knob-Handle, Locking
6	105-6842	1	Guide-LH	21	86-9671	1	Guide-Rope
7	105-6841	1	Guide-RH	22	3296-73	1	Nut-Lock, NI
10	104-8678	1	Handle-Control	23	114-7988	1	Guide-Cable
11	99-1588	1	BAR-Control, Traction	24	131-4551	1	Handle-Cover
12	3256-23	1	Washer-Flat	40	120-3911	1	Decal-Handle
13	99-1589	1	Lever-Traction	41	132-4470	1	Decal-Traction, Adjust
14	121-9118	1	Spring-Torsion				

Electrical Assembly



Electrical Assembly (continued)

<i>Ref.</i>	<i>Part Number</i>	<i>Qty.</i>	<i>Description</i>	<i>Ref.</i>	<i>Part Number</i>	<i>Qty.</i>	<i>Description</i>
5	125-5024	1	Harness-Wire	17	321-50	1	Screw-HH
5:1	99-6124	1	Fuse-40 Amp	18	112-8763	1	Decal-Terminal, Battery
6	114-7936	1	Tray-Battery	19	133-8160	1	Housing-Switch, LH
7	106-8397	1	Battery-Wet	20	133-8161	1	Housing-Switch, RH
9	120-3329	1	Cover-Battery	21	125-2470	1	Button-Switch
10	32144-97	1	Screw-PPH, Plastite	22	121-9173	1	Switch-Push Button
12	104-7953	1	Decal	23	94-4496	3	Screw-PPH
13	120-3947	1	Charger-CE	40	133-1900	1	Decal-Button, Push
15	614249	3	Tie-Cable				

Attachments and Accessories

For 20956 55cm Recycler Lawn Mower

Product Name	Model/Part
Traction Assist Handle Kit.....	131-4590
Lawn Striping Kit with 22in Roller.....	20601
Replacement Drive Belt Kit, 22-inch 2009 and After Rear-Wheel Drive Lawn Mower	38991
Lawnmower Cover.....	490-7462

Notes:



Count on it.