



Count on it.

Parts Catalog

TimeCutter® MX 4250

Riding Mower

Model No. 74760—Serial No. 40000000 and Up



Ordering Replacement Parts

To order replacement parts, please supply the part number, the quantity, and the description of each part desired.

Understanding Reference Numbers

Each identified part in an illustration has a reference number. The reference number for a part also appears in the parts list, along with other information about the part.

This catalog uses two special reference number formats, one to indicate parts in a service assembly and another to indicate the quantity of a given part in an illustration.

Service Assembly Reference Numbers

Parts in service assemblies have reference numbers in the form a:b. The a represents the reference number of the entire service assembly and the b represents a sequential number unique to each part within the service assembly.

For example, a wheel assembly might be identified by reference number 6, the tire by 6:1, the valve by 6:2, and the wheel by 6:3. When you order the assembly identified by reference number 6, you receive all parts identified by reference numbers 6:1, 6:2, and 6:3. However, you may also order any part individually. Reference numbers of this type appear in illustration and in parts lists.

Reference Numbers Indicating Quantity

In an illustration, if a reference number indicates more than one part, the reference number has the form nX y. The n represents the quantity of the part, the X is the multiplication symbol, and the y represents the reference number.

For example, in an illustration, the reference number 2X 37 means that two of the parts identified by reference number 37 are indicated.

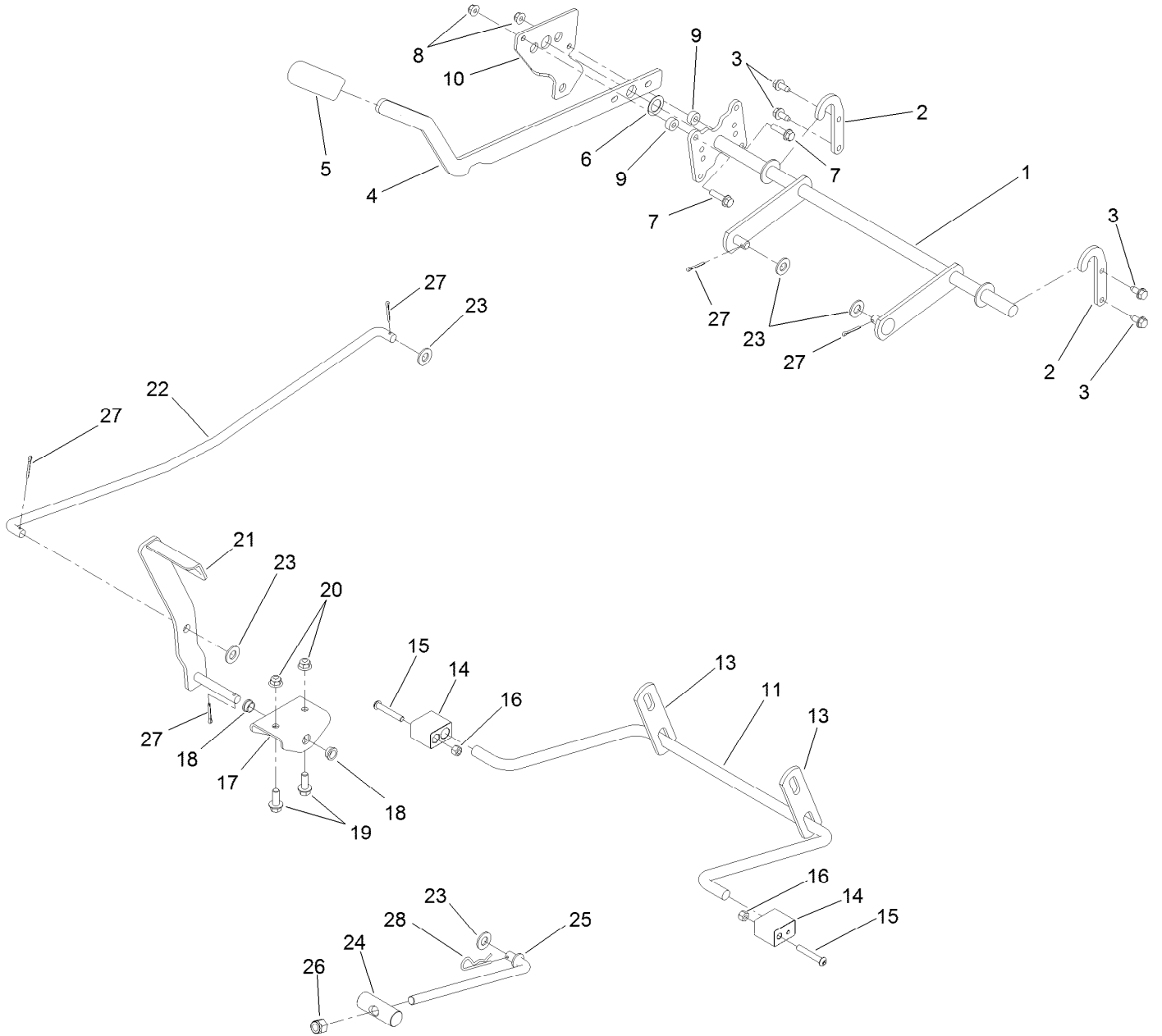
Contents

Frame and Front Axle Assembly	4
Deck Lift Assembly.....	6
Fork and Caster Wheel Assembly	8
Hydro Transaxle Assembly	10
Left Hand Hydro Transaxle Assembly No. 119-3340	12
Right Hand Hydro Transaxle Assembly No. 119-3341	14
Brake Assembly	16
Tire Assembly No. 131-3671	18
Seat Assembly	20
Seat Assembly No. 131-4147	22
Motion Control Assembly	24
Engine and Muffler Assembly.....	26
Fuel System Assembly	28
Carburetor Assembly	30
Air Intake and Filtration Assembly	32
Ignition and Electrical Assembly	34
Crankcase and Crankshaft Assembly.....	36
Governor Control Assembly	38
Piston and Cylinder Head Assembly	40
Blower Housing Assembly	42
Gasket and Seal Kit	44
Body Styling and Fuel Tank Assembly	46
Battery and Electrical Assembly.....	48
Deck Assembly	50
42 Inch Deck and Decal Assembly No. 131-3610.....	52
Model-Specific Decal and Floor-Mat Assembly	54
Speed Control Decal, HOC Decal and Service Decal Assembly	56
Clutch Assembly.....	58
Attachments and Accessories	60

Frame and Front Axle Assembly (continued)

<i>Ref.</i>	<i>Part Number</i>	<i>Qty.</i>	<i>Description</i>	<i>Ref.</i>	<i>Part Number</i>	<i>Qty.</i>	<i>Description</i>
1	127-3444-01	1	Frame ASM	18	131-0901-01	1	Mount-Hydro, Front (Right)
2	119-3435-03	1	Brace-Seat, Rear (Narrow)	19	131-0902-01	1	Mount-Hydro, Front (Left)
3	131-1040-03	1	Support-Pod	20	130-6950-01	1	Crossmember-Rear, Narrow
4	119-3431-03	2	Support-Tank, Rear	21	117-1232-03	1	Bracket-Hitch
5	131-0914-03	1	Bracket-Battery	25	121-2989	2	Decal-Bypass
6	125-1742-01	1	Axle-Front, Narrow	27	32144-70	18	Screw-HWHTF
10	116-4348	2	Cap-Grease	28	3234-29	4	Screw-HHF
11	109-3678	4	Bearing-Ball	29	3234-42	6	Screw-HHF
13	132-0890	1	Footrest ASM	30	3234-47	8	Screw-HHF
13:2	105-8278	1	Decal	34	104-8300	12	Nut-Flange, NI
13:3	132-0869	1	Decal-Danger	35	104-8301	6	Nut-Flange, NI
16	127-3353-03	1	Guard-Engine, Narrow				

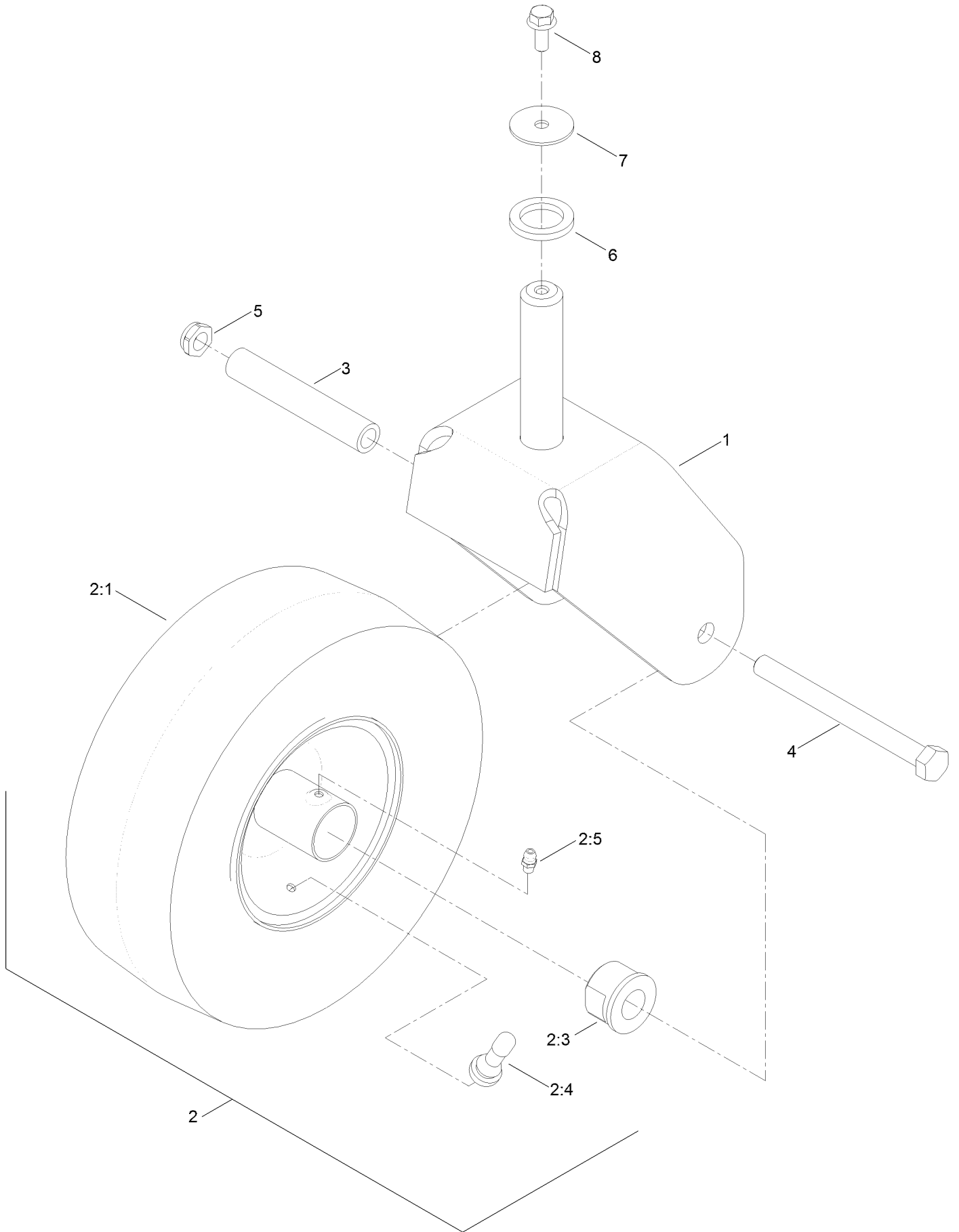
Deck Lift Assembly



Deck Lift Assembly (continued)

<i>Ref.</i>	<i>Part Number</i>	<i>Qty.</i>	<i>Description</i>	<i>Ref.</i>	<i>Part Number</i>	<i>Qty.</i>	<i>Description</i>
1	132-6872-03	1	Lift-Deck, Narrow	16	3296-29	2	Nut-Lock, NI
2	119-8875	2	Bracket-Lift	17	120-2294-03	1	Bracket-Footlift
3	32144-70	4	Screw-HWHTF	18	256-156	2	Bushing-Flange
4	119-3427-03	1	Lever-Lift	19	3234-42	2	Screw-HHF
5	1-633268	1	Grip-Lever	20	104-8301	2	Nut-Flange, NI
6	3-6498	2	Washer-Thrust	21	132-6939-03	1	Pedal ASM
7	3234-36	2	Screw-HHF	22	120-2242	1	Rod-Footlift
8	104-8300	2	Nut-Flange, NI	23	3256-26	5	Washer-Flat
9	121-1759	2	Spacer	24	119-8810	1	Pin-Pivot
10	131-3933	1	Plate-Footlift	25	133-4319	1	Rod-Mount, Deck
11	108-7839	1	Arm-Lift, Rear	26	3296-19	1	Nut-Hex
13	108-7840	2	Link-Lift	27	3272-11	5	Pin-Cotter
14	108-7845	2	Block-Pivot	28	1-806005	1	Pin-Cotter
15	120-5499	2	Screw-HSBH				

Fork and Caster Wheel Assembly



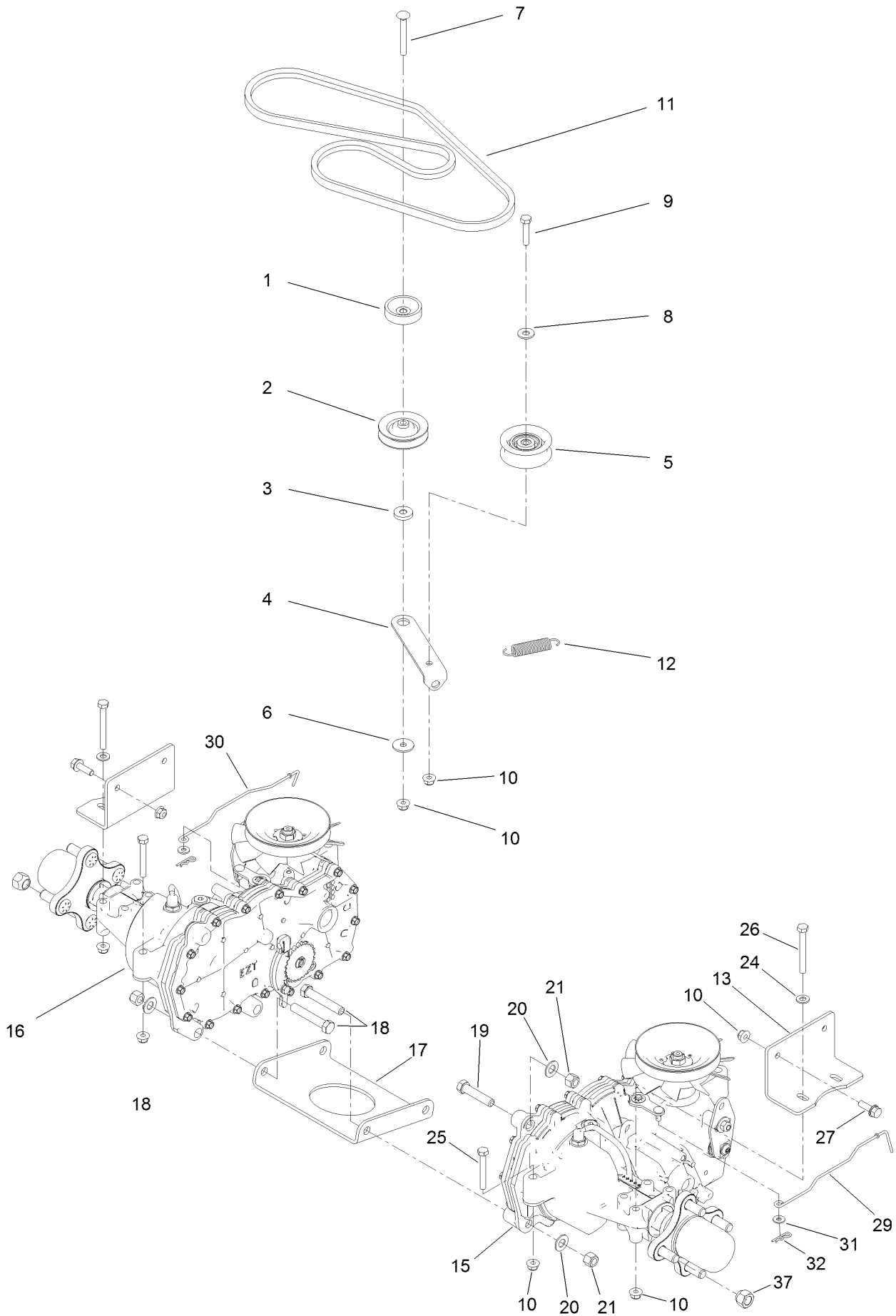
Fork and Caster Wheel Assembly (continued)

<i>Ref.</i>	<i>Part Number</i>	<i>Qty.</i>	<i>Description</i>	<i>Ref.</i>	<i>Part Number</i>	<i>Qty.</i>	<i>Description</i>
1	120-2266-01	2	Fork-Caster	3	104-3667	2	Spanner-Wheel
2	130-0736	2	Caster Wheel ASM	4	325-22	2	Screw-HH
2:1	130-0735	1	Tire	5	3296-45	2	Nut-Lock, NI
2:3	114-1640	2	Bushing-Flange	6	117-7394	2	Washer-Thrust
2:4	232-27	1	Stem-Valve	7	3256-68	2	Washer-Flat
2:5	302-5	1	Fitting-Grease	8	3234-47	2	Screw-HHF
2:6	105-0844	1	Tube-Inner ■●				

● Not illustrated

■ Optional Equipment

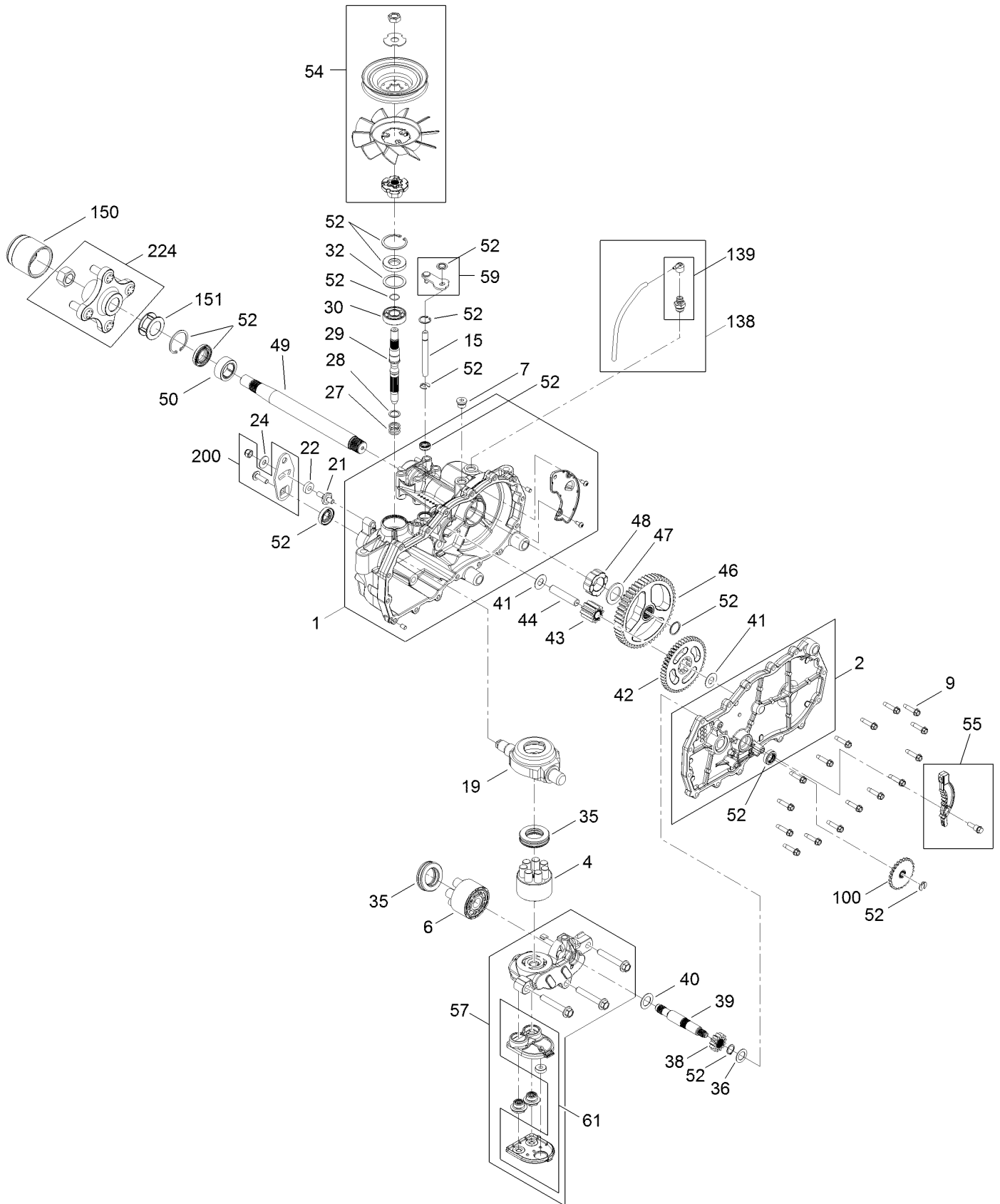
Hydro Transaxle Assembly



Hydro Transaxle Assembly (continued)

<i>Ref.</i>	<i>Part Number</i>	<i>Qty.</i>	<i>Description</i>	<i>Ref.</i>	<i>Part Number</i>	<i>Qty.</i>	<i>Description</i>
1	119-3353	1	Spacer	17	119-3339-03	1	Plate-Cross, Hydro
2	119-8822	1	Pulley-Idler	18	324-10	4	Screw-HH
3	119-3327	1	Spacer-Arm, Idler	19	324-8	2	Screw-HH
4	119-3326	1	Arm-Idler	20	3256-25	6	Washer-Flat
5	106-2176	1	Pulley-Idler	21	3296-48	6	Nut-Lock, NI
6	5-4460	1	Washer-Pivot	24	3256-23	6	Washer-Flat
7	3230-8	1	Screw-CARR	25	322-11	4	Screw-HH
8	3256-3	1	Washer-Flat	26	322-13	4	Screw-HH
9	322-7	1	Screw-HH	27	3234-29	4	Screw-HHF
10	104-8300	14	Nut-Flange, NI	29	131-0900	1	Rod-Bypass, LH
11	130-6975	1	V-Belt	30	130-7049	1	Rod-Bypass, RH
12	104-6415	1	Spring-Return, Pedal	31	119-8952	2	Washer
13	117-7264-03	2	Mount-Hydro	32	3290-307	2	Pin-Cotter
15	119-3340	1	LH Hydro Transaxle ASM	37	242-50	8	Nut-Lug
16	119-3341	1	RH Hydro Transaxle ASM				

Left Hand Hydro Transaxle Assembly No. 119-3340



Left Hand Hydro Transaxle Assembly No. 119-3340 (continued)

<i>Ref.</i>	<i>Part Number</i>	<i>Qty.</i>	<i>Description</i>	<i>Ref.</i>	<i>Part Number</i>	<i>Qty.</i>	<i>Description</i>
1	106-8695	1	Main Housing ASM	42	104-5317	1	Gear-10T/48T
2	106-8696	1	Side ASM	43	104-5318	1	Gear-Jackshaft, 10T
4	110-8561	1	Pump Block ASM	44	104-5329	1	Pin-Jackshaft
6	103-2666	1	Cylinder Block Kit	46	112-9855	1	Gear-52T, Bull
7	104-2189	1	Plug-Thread, Straight	47	112-9856	1	Washer
9	104-5305	16	Screw-HHF	48	112-9857	1	Bearing-Sleeve
15	106-8678	1	Rod-Bypass	49	121-5732	1	Shaft-Axle
19	104-5304	1	Swashplate-Trunnion	50	112-9859	1	Bushing-Axle
21	104-2116	1	Stud	52	106-8686	1	Seal Kit
22	112-9853	1	Puck-Friction	54	121-5729	1	Fan Pulley Kit
24	114-8491	1	Washer	55	106-8688	1	Brake Arm Kit
27	120-5537	1	Spring-Compression	57	112-9861	1	Center Section Filter Kit
28	120-5538	1	Washer	58	104-2147	1	Sealant ●
29	104-5306	1	Shaft-Input	59	120-5549	1	Bypass Kit
30	104-5311	1	Bearing-Ball	61	114-1634	1	Filter Kit
32	104-5308	1	Spacer	100	106-8694	1	Disc-Brake, Cog
35	94-6922	2	Bearing-Thrust	138	112-9866	1	Breather Kit
36	104-5339	1	Washer-Flat	139	114-1635	1	Breather ASM
38	104-5316	1	Gear-Pinion, 13T	150	116-6214	1	Cap-Axle, Long
39	106-8683	1	Shaft-Motor	151	121-5734	1	Tube-Axle
40	104-5360	1	Washer	200	117-5362	1	Arm Control Kit
41	119-5541	2	Washer	224	109-3538	1	Hub Kit

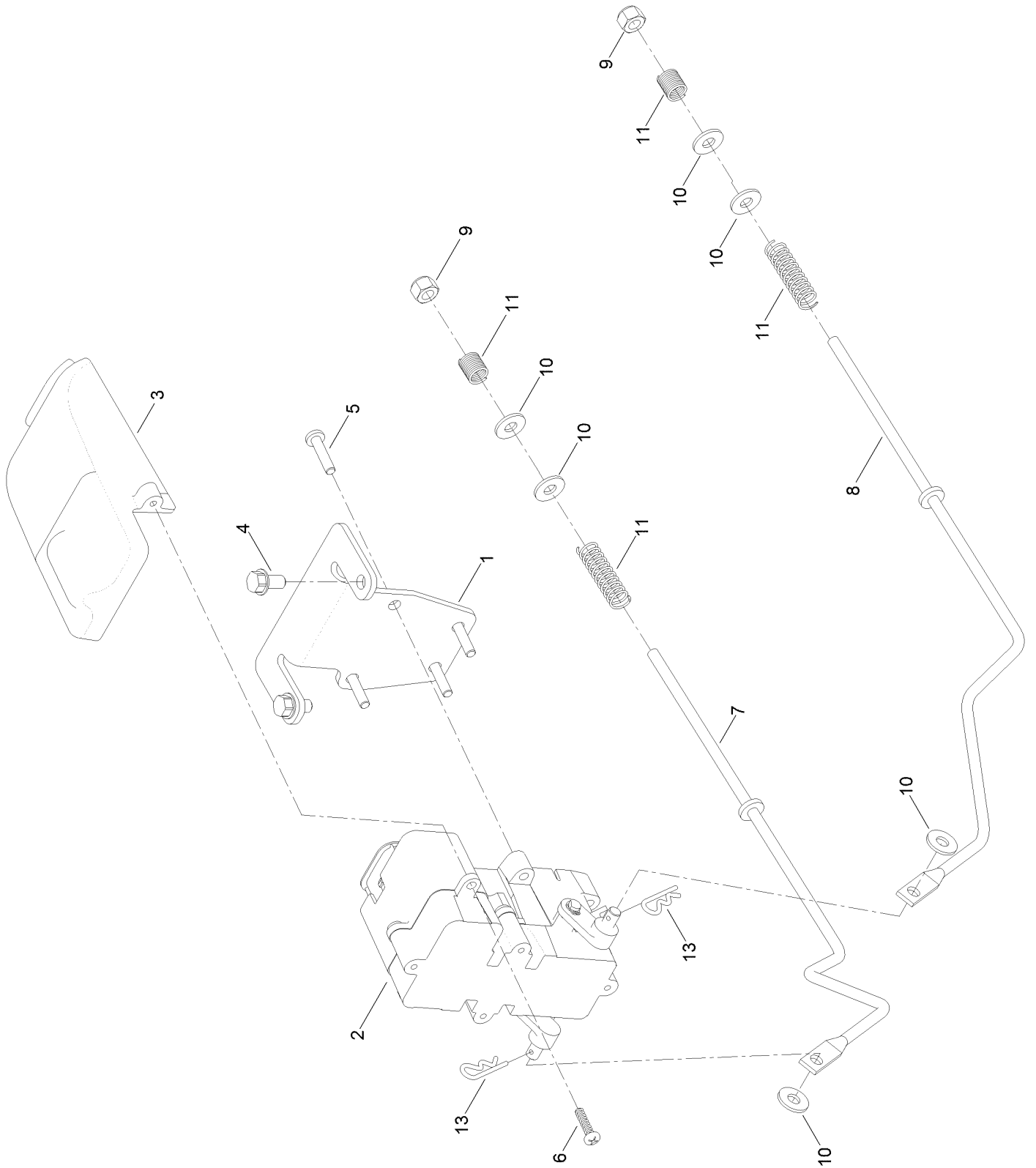
● Not illustrated

Right Hand Hydro Transaxle Assembly No. 119-3341 (continued)

<i>Ref.</i>	<i>Part Number</i>	<i>Qty.</i>	<i>Description</i>	<i>Ref.</i>	<i>Part Number</i>	<i>Qty.</i>	<i>Description</i>
1	106-8674	1	Main Housing ASM	42	104-5317	1	Gear-10T/48T
2	106-8675	1	Side ASM	43	104-5318	1	Gear-Jackshaft, 10T
4	110-8561	1	Pump Block ASM	44	104-5329	1	Pin-Jackshaft
6	103-2666	1	Cylinder Block Kit	46	112-9855	1	Gear-52T, Bull
7	104-2189	1	Plug-Thread, Straight	47	112-9856	1	Washer
9	104-5305	16	Screw-HHF	48	112-9857	1	Bearing-Sleeve
15	106-8678	2	Rod-Bypass	49	121-5732	1	Shaft-Axle
19	104-5304	1	Swashplate-Trunnion	50	112-9859	1	Bushing-Axle
21	104-2116	1	Stud	52	106-8686	1	Seal Kit
22	112-9853	1	Puck-Friction	54	121-5729	1	Fan Pulley Kit
24	114-8491	1	Washer	55	106-8688	1	Brake Arm Kit
27	120-5537	1	Spring-Compression	57	112-9862	1	Center Section Filter Kit
28	120-5538	1	Washer	58	104-2147	1	Sealant ●
29	104-5306	1	Shaft-Input	59	107-2489	1	Bypass Arm Kit
30	104-5311	1	Bearing-Ball	61	114-1634	1	Filter Kit
32	104-5308	1	Spacer	100	106-8694	1	Disc-Brake, Cog
35	94-6922	2	Bearing-Thrust	138	112-9866	1	Breather Kit
36	104-5339	1	Washer-Flat	139	114-1635	1	Breather ASM
38	104-5316	1	Gear-Pinion, 13T	150	116-6214	1	Cap-Axle, Long
39	106-8683	1	Shaft-Motor	151	121-5734	1	Tube-Axle
40	104-5360	1	Washer	200	117-5362	1	Arm Control Kit
41	119-5541	2	Washer	224	109-3538	1	Hub Kit

● Not illustrated

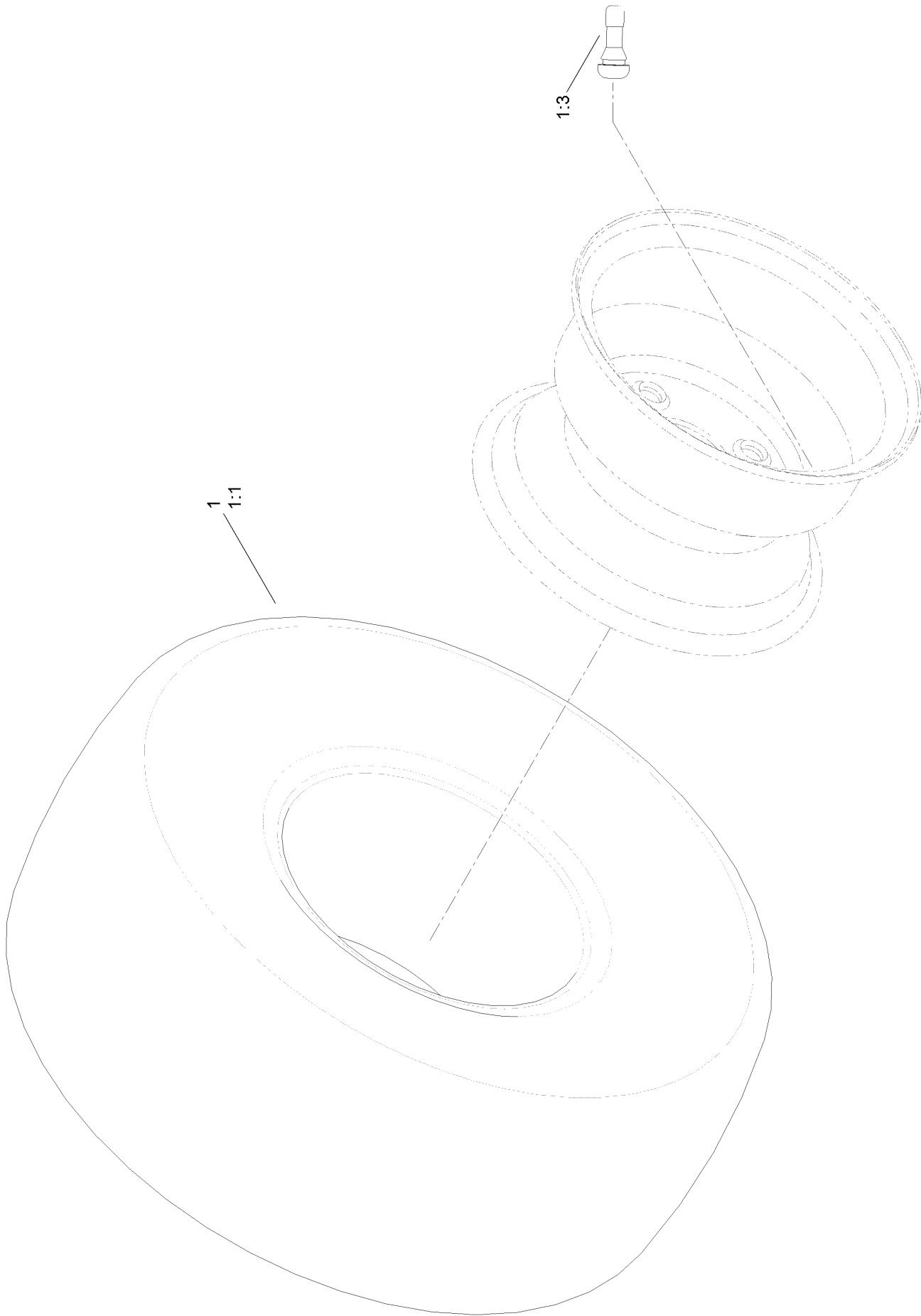
Brake Assembly



Brake Assembly (continued)

<i>Ref.</i>	<i>Part Number</i>	<i>Qty.</i>	<i>Description</i>	<i>Ref.</i>	<i>Part Number</i>	<i>Qty.</i>	<i>Description</i>
1	130-0790-03	1	Bracket-Mount, Brake	7	121-2974	1	Rod-Brake, RH
2	132-0935	1	Brake Box ASM	8	121-2975	1	Rod-Brake, LH
3	132-6949	1	Cover-Connector	9	3296-42	2	Nut-Lock, NI
4	32144-4	2	Screw-HWH	10	119-8952	6	Washer
5	32144-36	4	Screw-PPH	11	117-1169	4	Spring-Compression
6	94-4496	2	Screw-PPH	13	3290-307	2	Pin-Cotter

Tire Assembly No. 131-3671



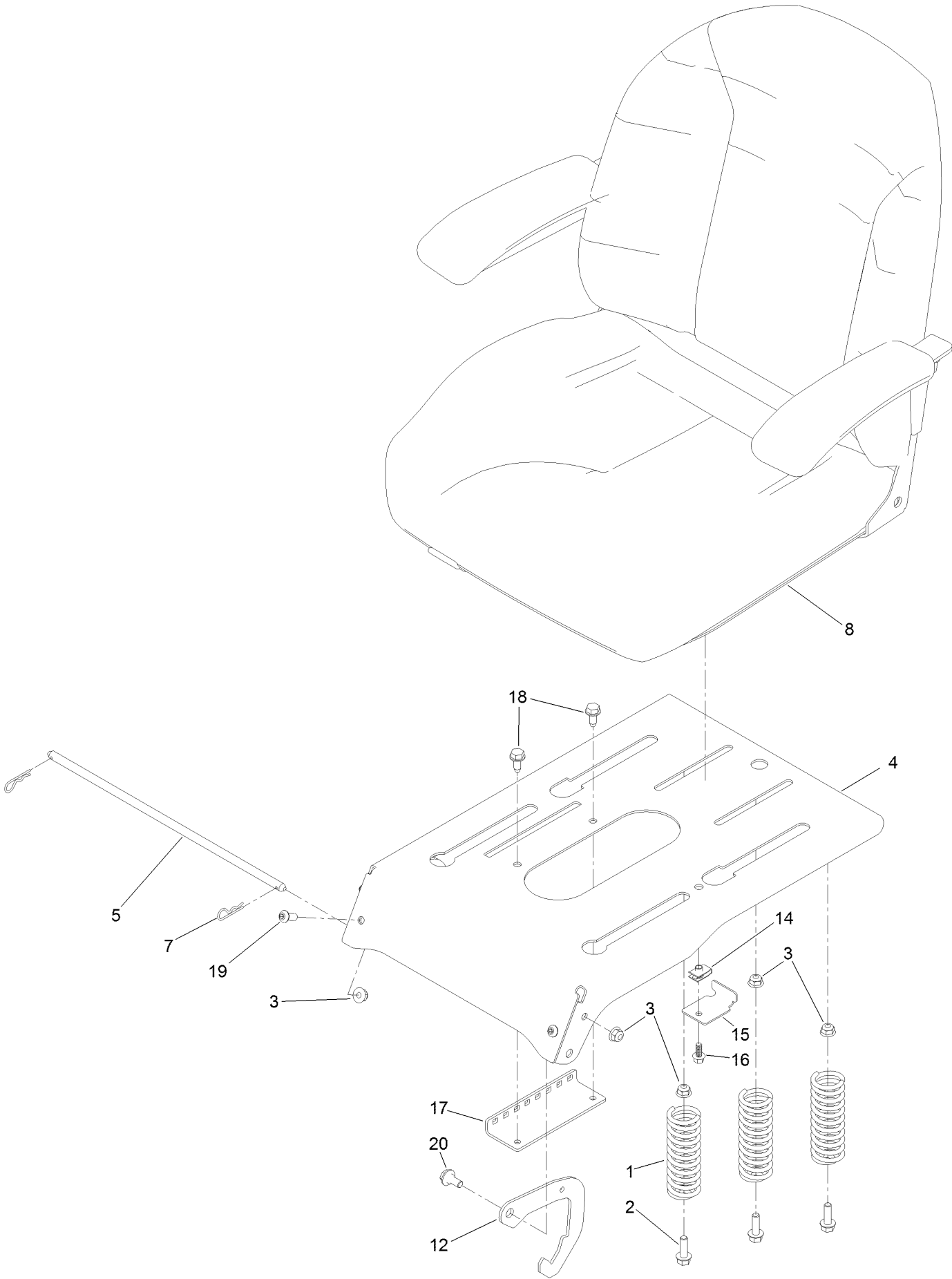
Tire Assembly No. 131-3671 (continued)

<i>Ref.</i>	<i>Part Number</i>	<i>Qty.</i>	<i>Description</i>
1	131-3671	2	2 Ply Wheel And Tire ASM
1:1	131-3678	1	Tire-2 Ply

<i>Ref.</i>	<i>Part Number</i>	<i>Qty.</i>	<i>Description</i>
1:3	232-27	1	Stem-Valve
1:99	107-2491	1	Tube-Tire ●

● Not illustrated

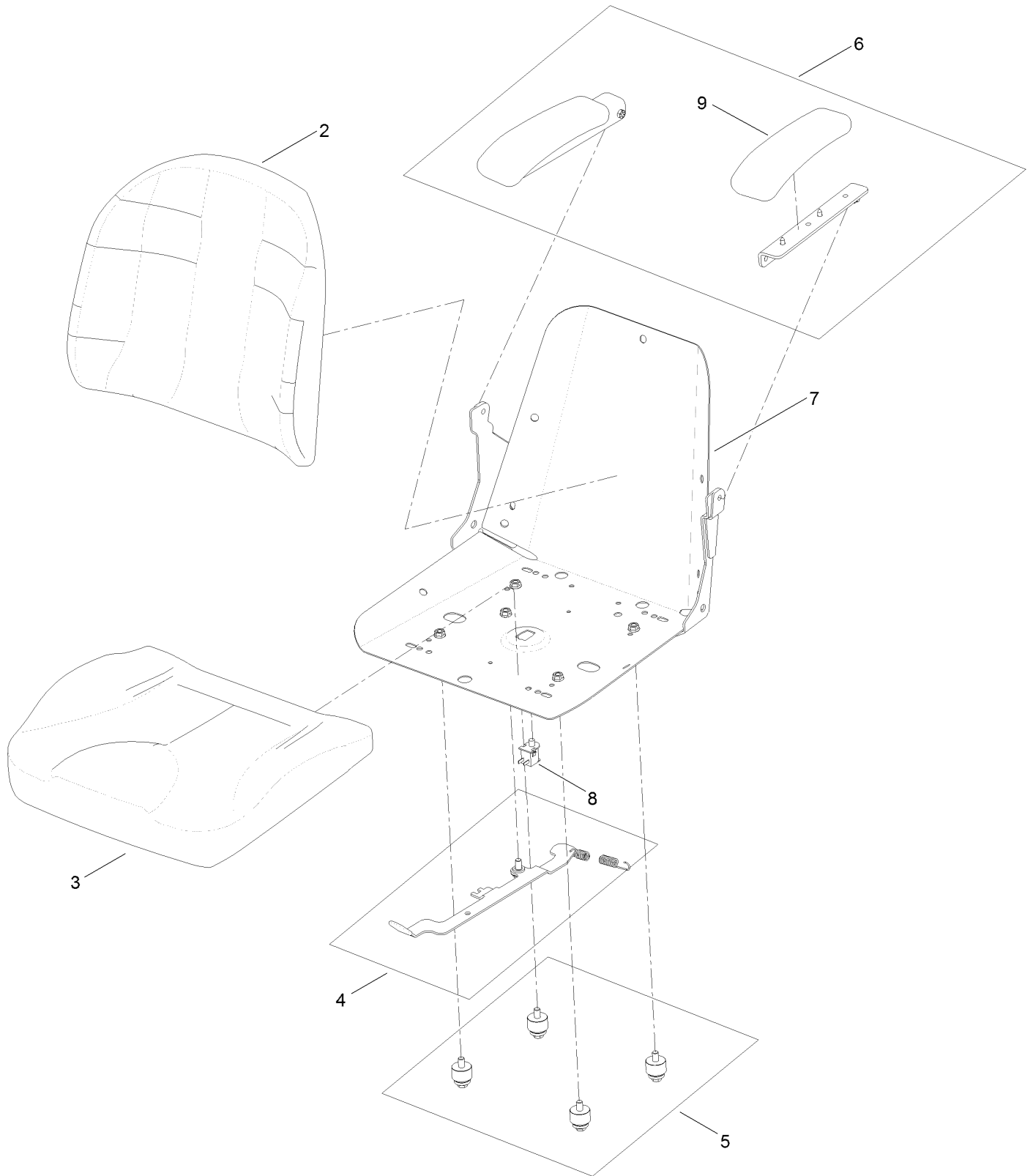
Seat Assembly



Seat Assembly (continued)

<i>Ref.</i>	<i>Part Number</i>	<i>Qty.</i>	<i>Description</i>	<i>Ref.</i>	<i>Part Number</i>	<i>Qty.</i>	<i>Description</i>
1	92-7054	3	Spring-Compression	14	107069	1	Clip
2	3234-29	3	Screw-HHF	15	131-1038	1	Bracket-Stop, Seat
3	104-8300	7	Nut-Flange, NI	16	99-6810	1	Screw-HHF
4	136-5571-03	1	PAN-Seat, Deluxe	17	131-4008-03	1	Bracket-Latch, Seat
5	119-3433	1	Rod-Pivot, Narrow	18	32144-70	2	Screw-HWHTF
7	3290-250	2	Pin-Cotter	19	3274-55	2	Screw-HSBH
8	131-4147	1	Seat ASM	20	19-1470	2	Screw-Shoulder
12	132-9353	2	Latch-Seat				

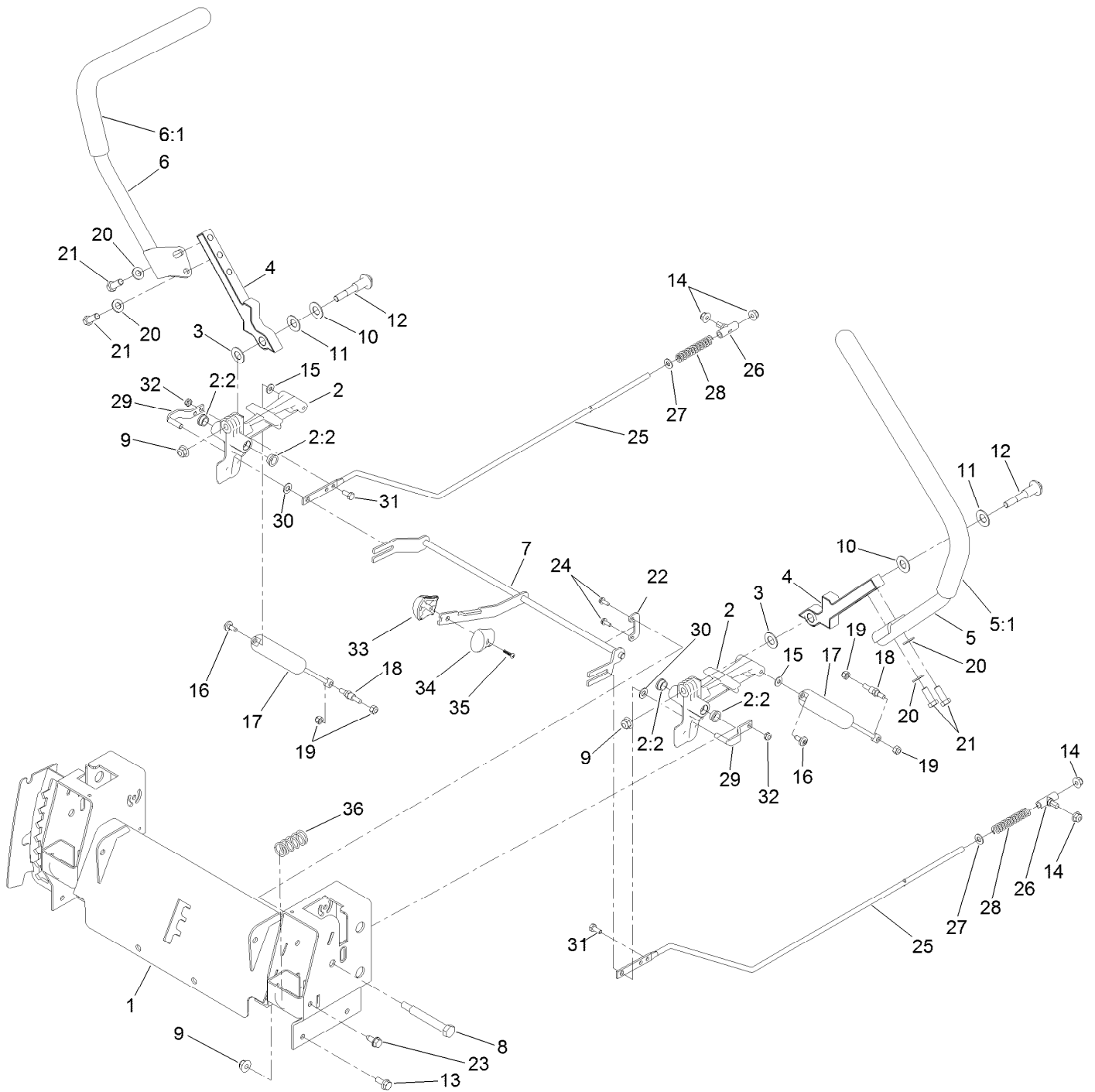
Seat Assembly No. 131-4147



Seat Assembly No. 131-4147 (continued)

<i>Ref.</i>	<i>Part Number</i>	<i>Qty.</i>	<i>Description</i>	<i>Ref.</i>	<i>Part Number</i>	<i>Qty.</i>	<i>Description</i>
2	131-4149	1	Cushion-Seat, Back	6	131-4155	1	Armrest Kit
3	131-4151	1	Cushion-Seat, Bottom	7	131-4156	1	Shell
4	131-4153	1	Track ASM	8	82-2190	1	Switch-Bail
5	131-4154	1	Bushing ASM	9	110-4163	2	Cushion-Rest, Arm

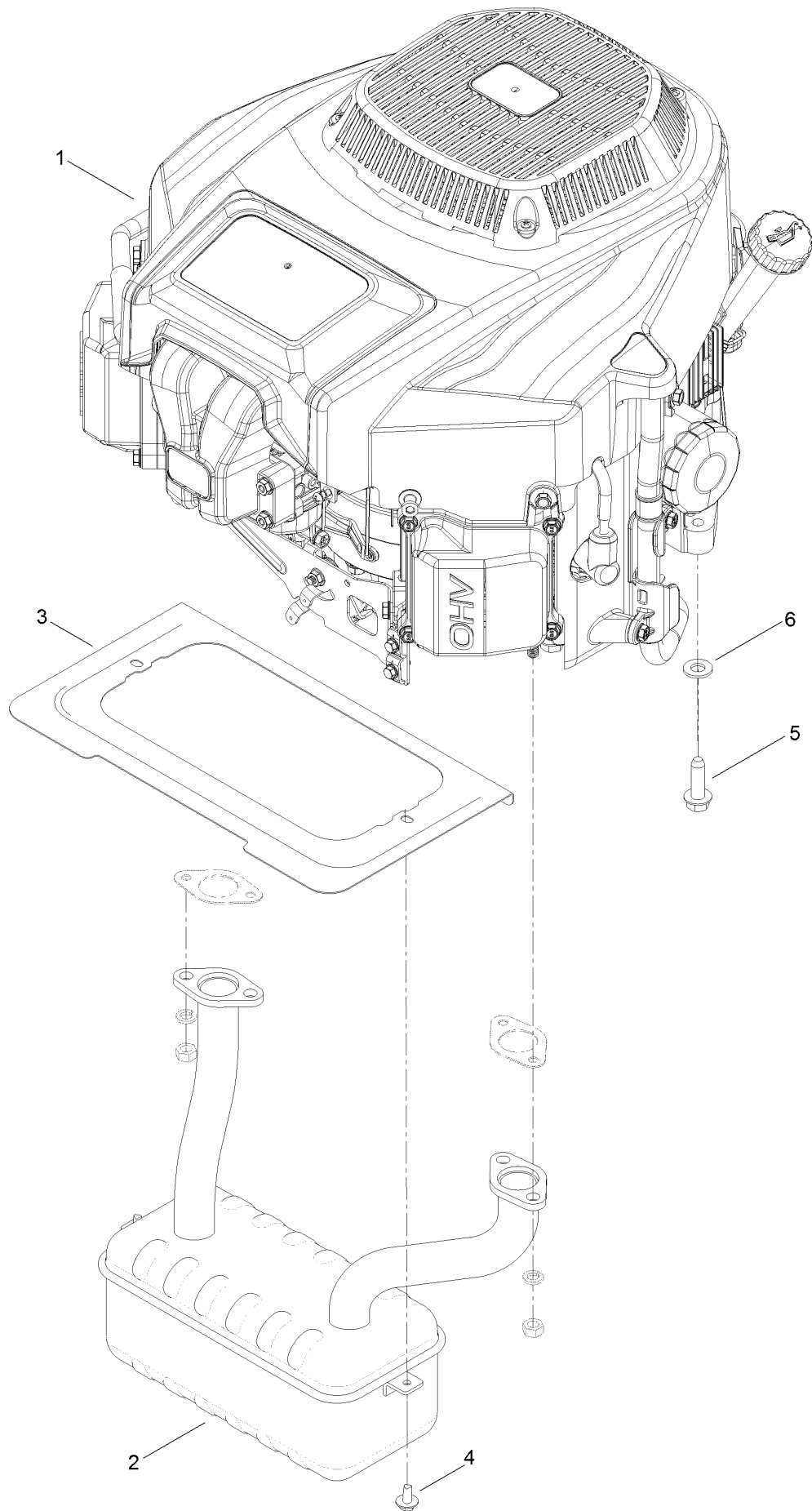
Motion Control Assembly



Motion Control Assembly (continued)

<i>Ref.</i>	<i>Part Number</i>	<i>Qty.</i>	<i>Description</i>	<i>Ref.</i>	<i>Part Number</i>	<i>Qty.</i>	<i>Description</i>
1	136-4156-03	1	Control Box ASM	18	110-6810	2	Stud-Damper
2	119-3470	2	Actuator Arm ASM	19	3296-42	4	Nut-Lock, NI
2:2	256-156	2	Bushing-Flange	20	3256-24	4	Washer-Flat
3	120-2273	2	Washer-Nylon	21	323-6	4	Screw-HH
4	115-5098-05	2	Lever-Control	22	117-5385	2	Retainer
5	121-0730	1	Handle-Control, LH	23	32144-70	4	Screw-HWHTF
5:1	121-0726	1	Grip	24	32144-1	4	Screw-Taptite
6	121-0731	1	Handle-Control, RH	25	117-5388	2	Rod-Hydro
6:1	121-0726	1	Grip	26	119-8842	2	Mount-Rod, Hydro
7	131-1094	1	Speed Control ASM	27	3256-23	2	Washer-Flat
8	115-5099	2	Bolt-Pivot	28	1-603807	2	Spring-Return, Neutral
9	104-8301	4	Nut-Flange, NI	29	119-3303	2	Pin-Rod, Hydro
10	117-1240	2	Washer	30	93-6079	2	Spacer-Nylon
11	119-8925	2	Washer-Belleville	31	321-3	2	Screw-HH
12	117-1198	2	Bolt-Pivot	32	3296-56	2	Nut-Lock, NI
13	3234-47	6	Screw-HHF	33	119-8935	1	Knob-RH
14	104-8300	10	Nut-Flange, NI	34	119-8936	1	Knob-LH
15	119-8952	2	Washer	35	94-4496	1	Screw-PPH
16	120-7950	2	Screw-Shoulder	36	119-8876	2	Spring-Return
17	131-0964	2	Damper				

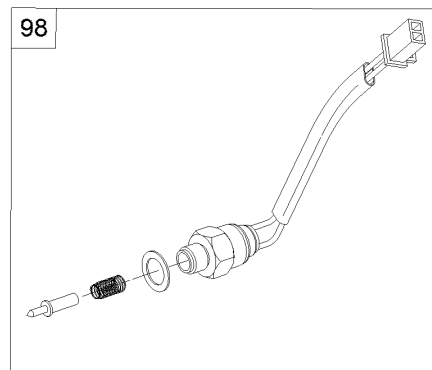
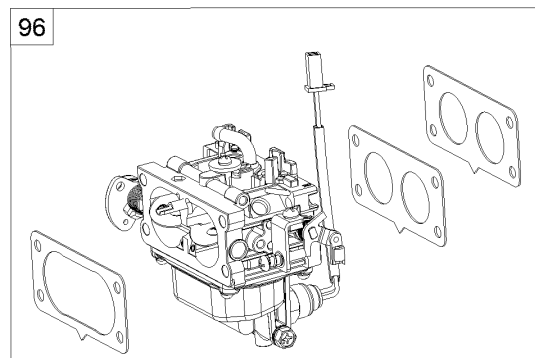
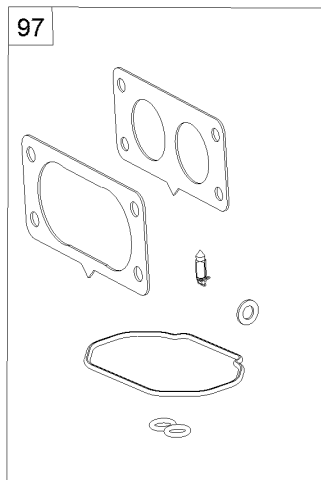
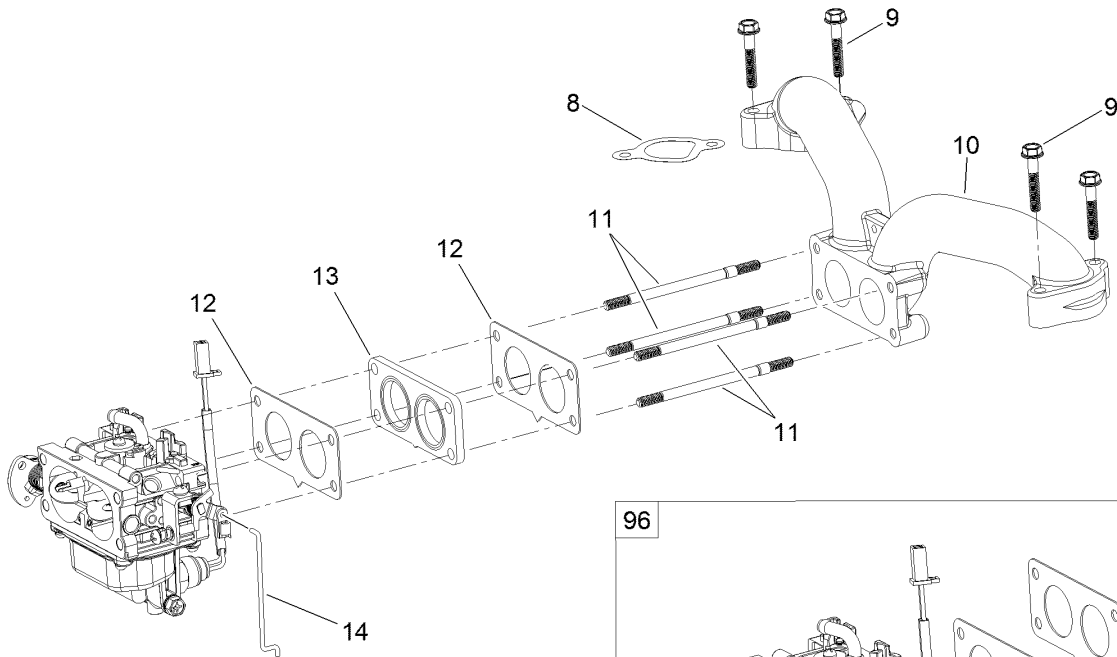
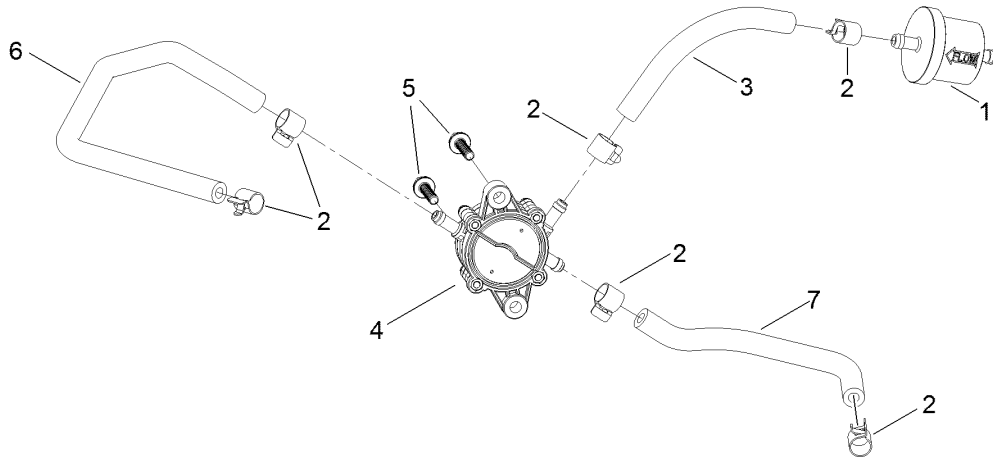
Engine and Muffler Assembly



Engine and Muffler Assembly (continued)

<i>Ref.</i>	<i>Part Number</i>	<i>Qty.</i>	<i>Description</i>	<i>Ref.</i>	<i>Part Number</i>	<i>Qty.</i>	<i>Description</i>
1	127-9041	1	Engine-2P77F	4	46-8560	2	Screw-HHFTF
2	130-6851	1	Muffler	5	32144-109	4	Screw-Taptite
3	131-1071-03	1	Shield-Heat	6	3256-24	3	Washer-Flat

Fuel System Assembly

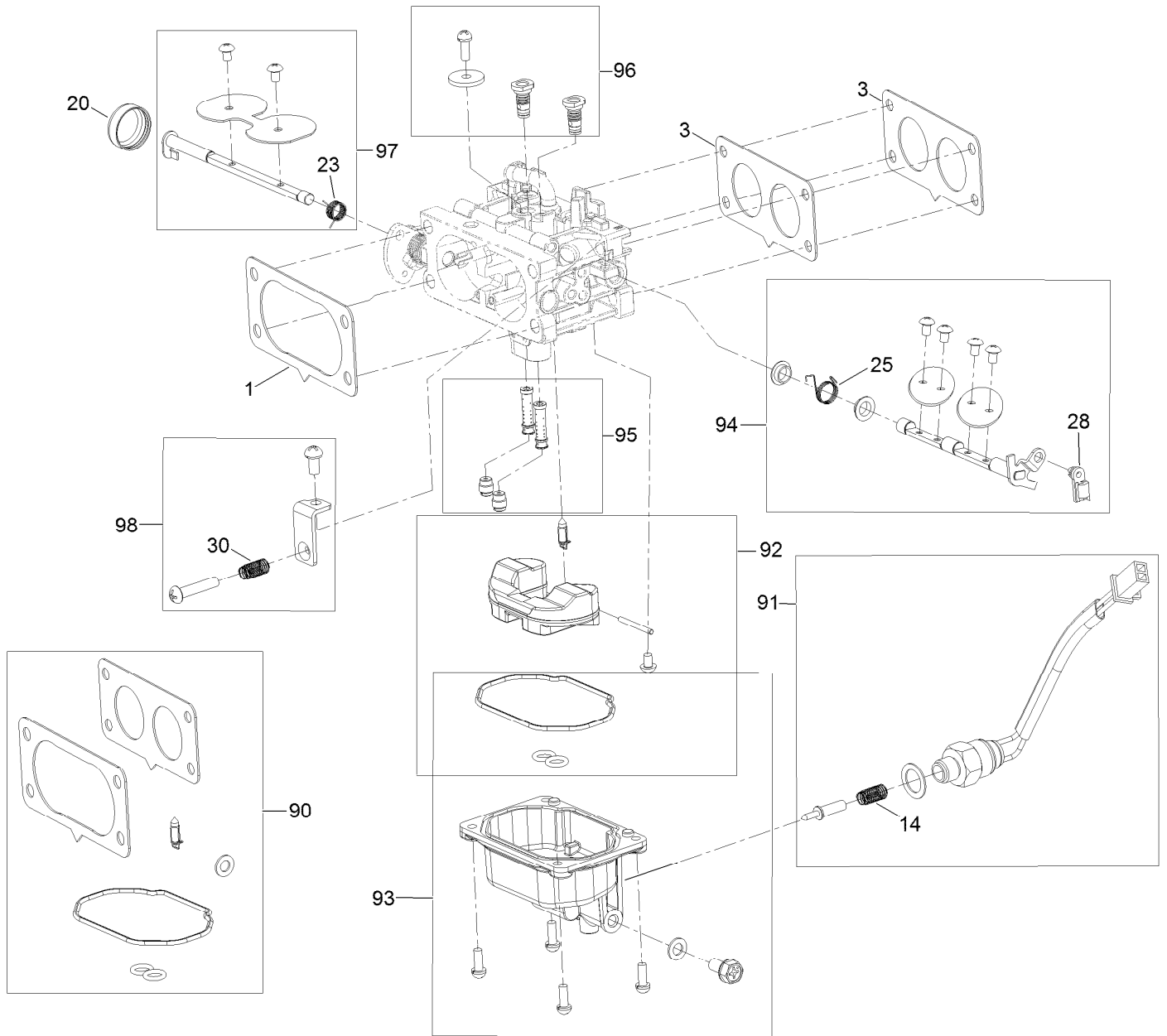


Fuel System Assembly (continued)

<i>Ref.</i>	<i>Part Number</i>	<i>Qty.</i>	<i>Description</i>	<i>Ref.</i>	<i>Part Number</i>	<i>Qty.</i>	<i>Description</i>
1	133-1563	1	Filter-Fuel	10	127-9244	1	Manifold-Intake
2	120-4251	6	Clamp-Fuel Line	11	127-9245	4	Stud
3	120-4371	1	Line-Fuel	12	127-9246	2	Gasket-Carburetor
4	127-9206	1	Pump-Fuel	13	127-9247	1	Insulator-Carburetor
5	120-4225	2	Screw-HHF	14	127-9248	1	Linkage-Throttle
6	127-9205	1	Hose-Fuel	96	127-9289	1	Carburetor Replacement Kit
7	127-9207	1	Hose-Fuel	97	127-9290	1	Carburetor Repair Kit
8	127-9230	2	Gasket-Intake	98	127-9292	1	Solenoid Kit
9	120-4284	4	Screw-HHF	99	127-9303	1	High Altitude Kit ●

● Not illustrated

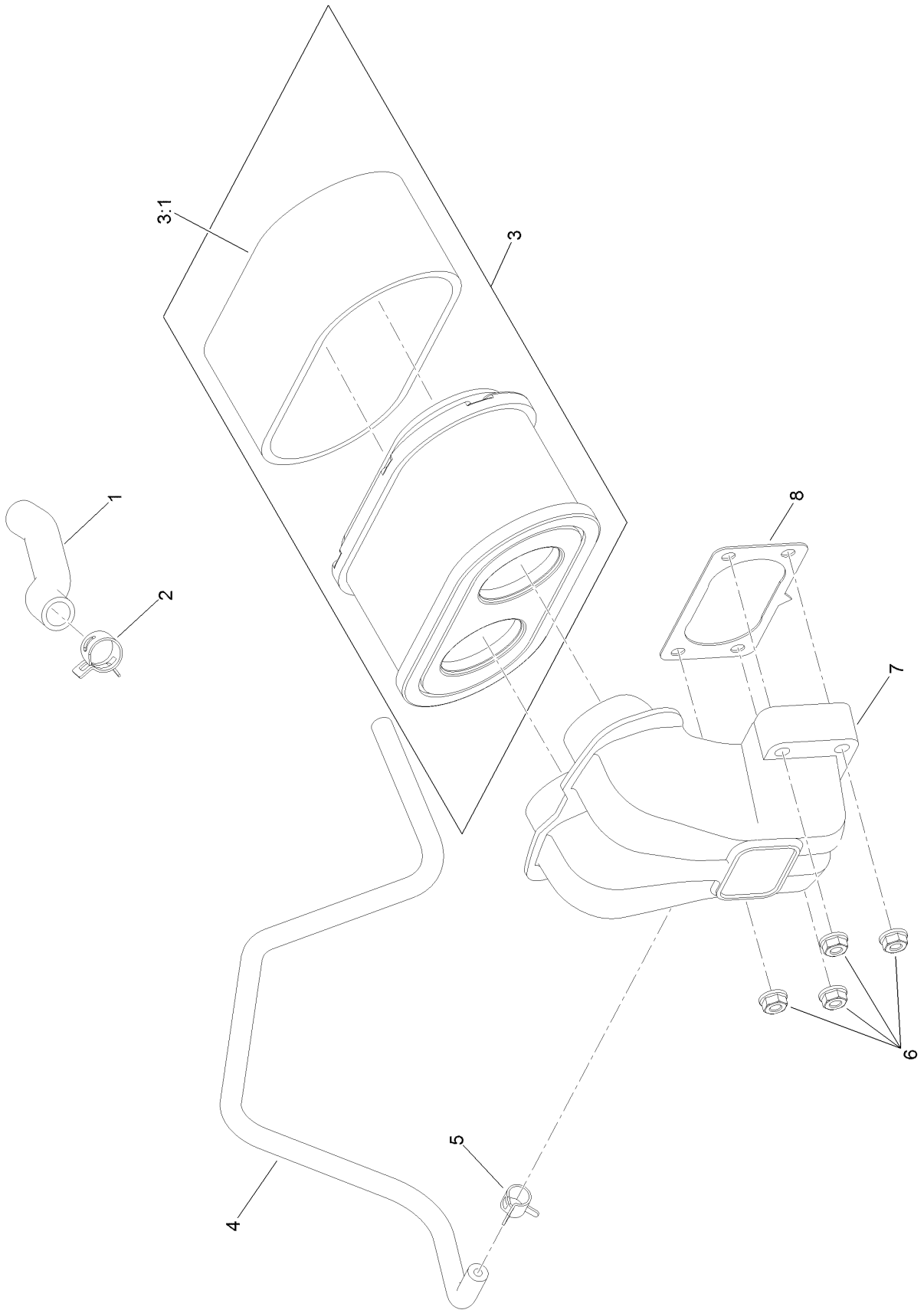
Carburetor Assembly



Carburetor Assembly (continued)

<i>Ref.</i>	<i>Part Number</i>	<i>Qty.</i>	<i>Description</i>	<i>Ref.</i>	<i>Part Number</i>	<i>Qty.</i>	<i>Description</i>
1	127-9251	1	Gasket-Carburetor	91	127-9292	1	Solenoid Kit
3	127-9246	2	Gasket-Carburetor	92	127-9340	1	Float Kit
14	127-9319	1	Spring	93	127-9341	1	Bowl Kit
20	127-9325	1	Cover-Shaft, Choke	94	127-9342	1	Throttle Shaft Kit
23	127-9328	1	Spring	95	127-9343	1	Nozzle And Jet Kit
25	127-9330	1	Spring	96	127-9344	1	Air Jet Kit
28	127-9333	1	Clamp-Lock	97	127-9345	1	Choke Shaft Kit
30	127-9335	1	Spring	98	127-9347	1	Idlestop Kit
90	127-9290	1	Carburetor Repair Kit				

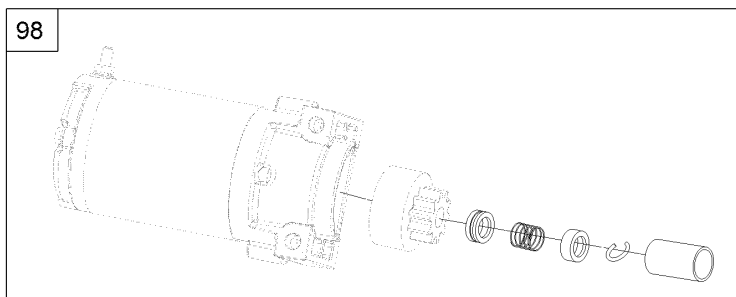
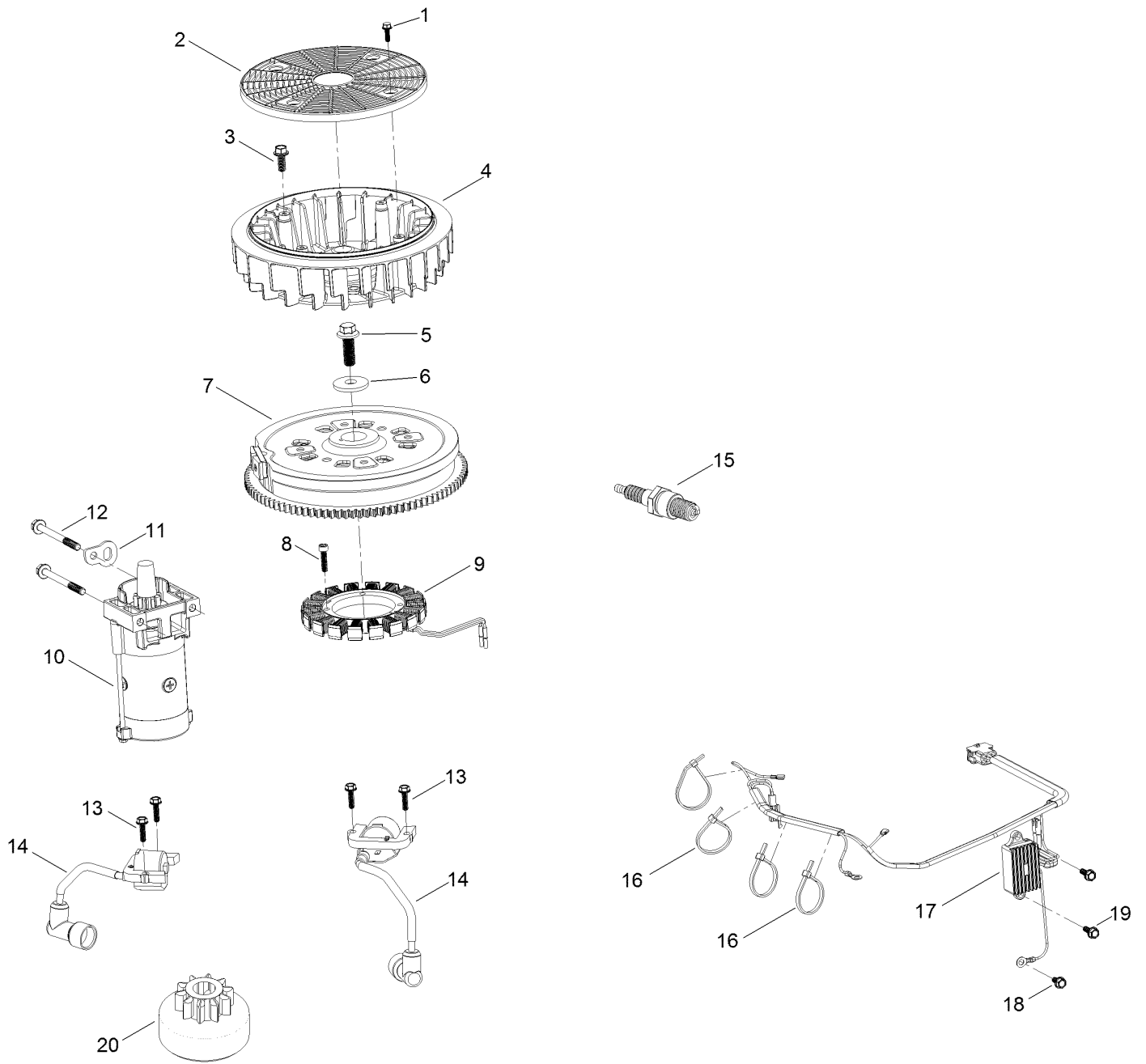
Air Intake and Filtration Assembly



Air Intake and Filtration Assembly (continued)

<i>Ref.</i>	<i>Part Number</i>	<i>Qty.</i>	<i>Description</i>	<i>Ref.</i>	<i>Part Number</i>	<i>Qty.</i>	<i>Description</i>
1	127-9235	1	Tube-Breather	5	127-9187	1	Clamp-Hose
2	127-9234	2	Clamp-Hose	6	120-4236	4	Nut-Flange
3	127-9252	1	Filter-Air, Complete	7	127-9047	1	Manifold-Filter, Air
3:1	127-9288	1	Filter-Pre, Foam	8	127-9251	1	Gasket-Carburetor
4	127-9253	1	Hose-Fuel				

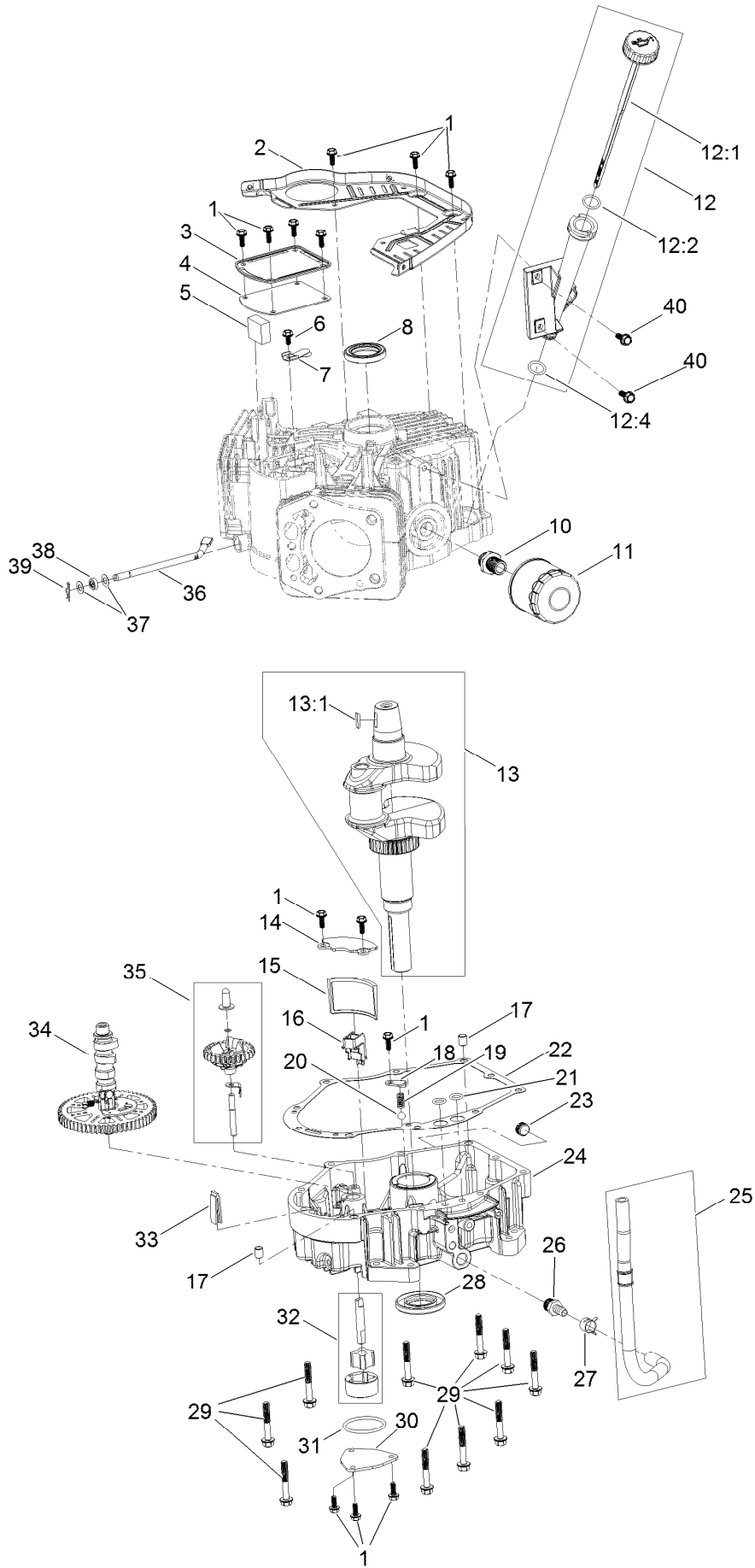
Ignition and Electrical Assembly



Ignition and Electrical Assembly (continued)

<i>Ref.</i>	<i>Part Number</i>	<i>Qty.</i>	<i>Description</i>	<i>Ref.</i>	<i>Part Number</i>	<i>Qty.</i>	<i>Description</i>
1	127-9197	4	Screw-HWH	12	120-4231	2	Screw-HHF
2	127-9198	1	Screen-Rotating	13	121-0007	4	Bolt-Flange
3	127-9199	4	Screw-HWH	14	127-9216	2	Ignition Coil ASM
4	127-9200	1	Fan-Cooling	15	81-3250	2	Spark Plug
5	127-9201	1	Screw-HWH	16	127-9220	4	Tie-Zip
6	127-9202	1	Washer-Flat	17	127-9219	1	Regulator-Voltage W/Harness
7	127-9306	1	Flywheel	18	120-4216	1	Screw-HHF
8	127-9210	4	Screw-HSH	19	120-4232	2	Screw-HHF
9	127-9211	1	Alternator	20	133-1562	1	Pinion-Starter
10	133-9828	1	Motor-Starter	98	133-1566	1	Starter Repair Kit
11	127-9208	1	Bracket-Lift				

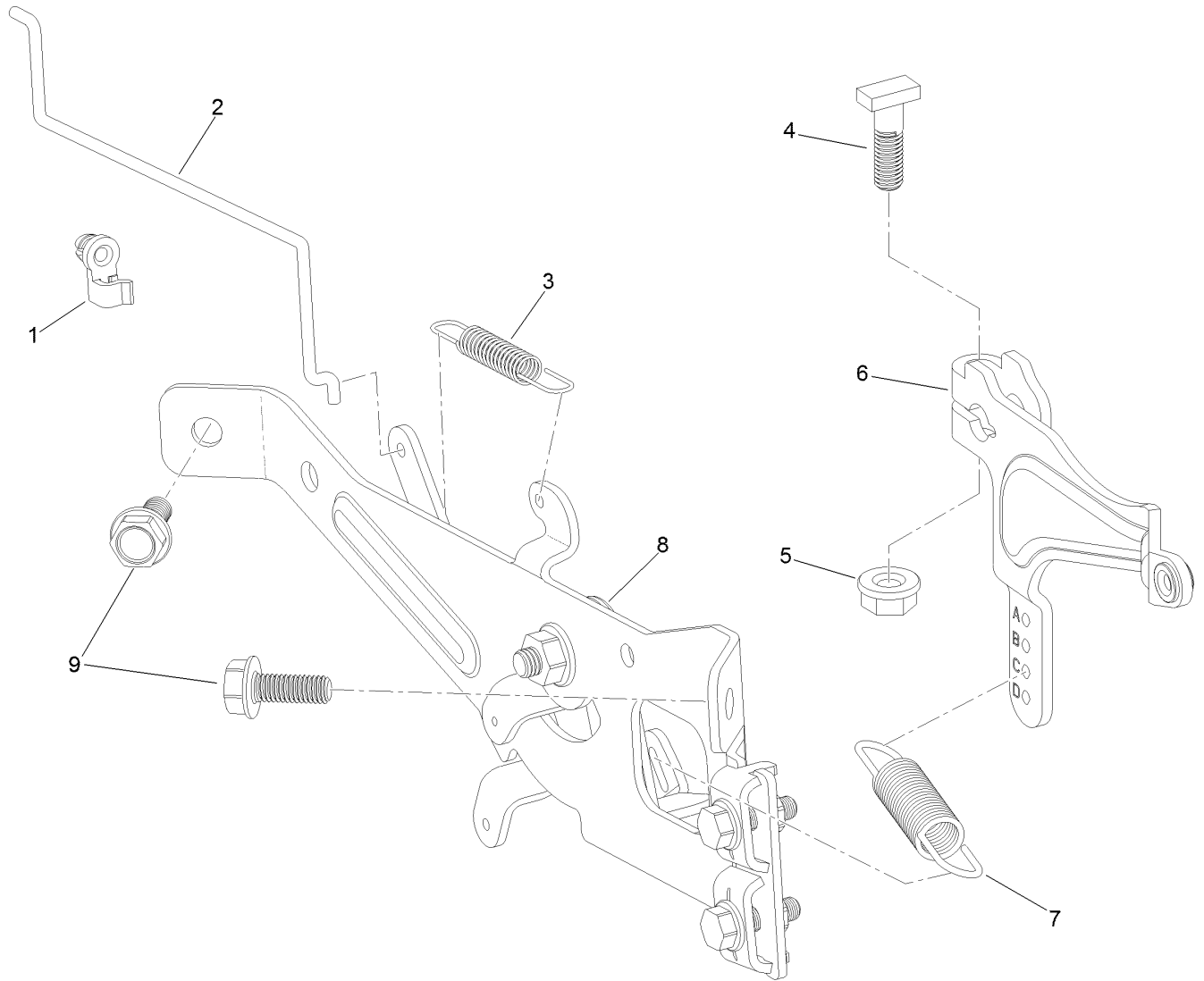
Crankcase and Crankshaft Assembly



Crankcase and Crankshaft Assembly (continued)

<i>Ref.</i>	<i>Part Number</i>	<i>Qty.</i>	<i>Description</i>	<i>Ref.</i>	<i>Part Number</i>	<i>Qty.</i>	<i>Description</i>
1	120-4232	14	Screw-HHF	20	127-9266	1	Valve-Ball
2	127-9212	1	Baffle	21	120-4262	2	O-Ring
3	127-9213	1	Cover-Breather	22	127-9267	1	Gasket-Cover, Crankcase
4	127-9214	1	Gasket-Breather	23	133-9805	1	Plug-Drain
5	127-9215	1	Filter-Breather	24	127-9268	1	Cover-Crankcase
6	120-4216	1	Screw-HHF	25	127-9293	1	Oil Drain Hose ASM
7	127-9217	1	Valve-Breather	26	127-9275	1	Fitting-Hose
8	120-4267	1	Seal-Oil	27	127-9276	1	Clamp-Hose
10	120-4346	1	Adaptor-Filter, Oil	28	127-9271	1	Seal
11	120-4276	1	Filter-Oil	29	121-0473	10	Screw-HHF
12	127-9218	1	Oil Tube ASM	30	127-9274	1	Cover-Oil Pump
12:1	127-9283	1	Dipstick	31	127-9273	1	O-Ring
12:2	127-9284	1	O-Ring	32	127-9272	1	Oil Pump ASM
12:4	127-9286	1	O-Ring	33	120-4275	1	Deflector-Oil, Rubber
13	127-9255	1	Crankshaft	34	133-1568	1	Camshaft
13:1	120-4320	1	Key-Woodruff	35	133-9807	1	Governor ASM
14	127-9261	1	Cover-Screen, Oil	36	127-9238	1	Rod-Governor
15	127-9262	1	Screen-Oil	37	120-4258	2	Washer-Plain
16	127-9263	1	Retainer-Screen	38	120-4257	1	Seal-Oil
17	120-4274	2	Pin-Dowel	39	120-4256	1	Pin-Hair
18	127-9264	1	Plate-Retainer	40	120-4232	2	Screw-HHF
19	127-9265	1	Spring				

Governor Control Assembly



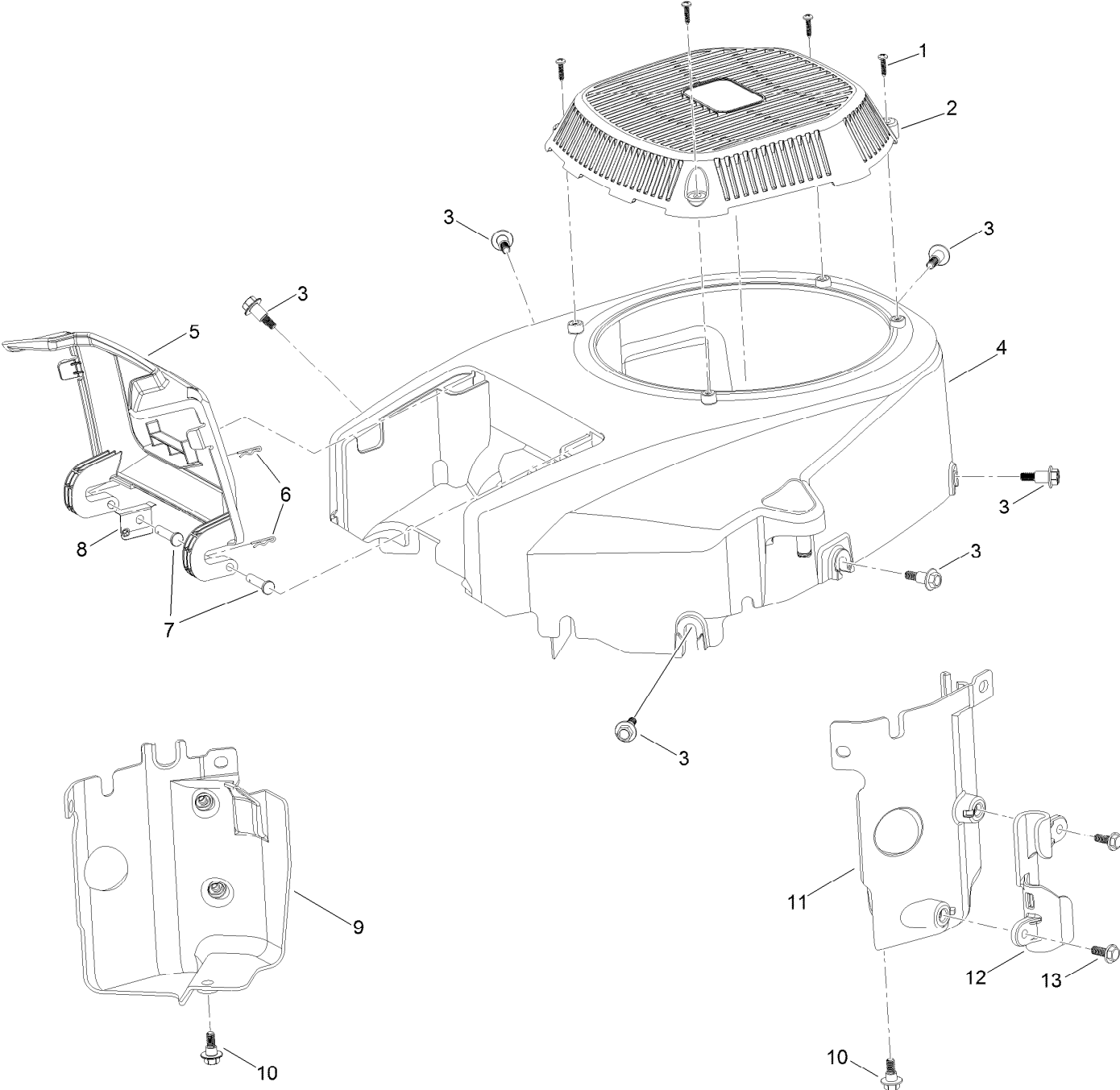
Governor Control Assembly (continued)

<i>Ref.</i>	<i>Part Number</i>	<i>Qty.</i>	<i>Description</i>	<i>Ref.</i>	<i>Part Number</i>	<i>Qty.</i>	<i>Description</i>
1	127-9250	1	Clip-Linkage	6	127-9239	1	Arm-Governor
2	127-9242	1	Linkage-Choke	7	133-9809	1	Spring-Governor
3	127-9241	1	Spring-Governor	8	133-1570	1	Control Plate ASM
4	120-4238	1	Bolt-Arm, Governor	9	120-4232	2	Screw-HHF
5	120-4236	1	Nut-Flange				

Piston and Cylinder Head Assembly (continued)

<i>Ref.</i>	<i>Part Number</i>	<i>Qty.</i>	<i>Description</i>	<i>Ref.</i>	<i>Part Number</i>	<i>Qty.</i>	<i>Description</i>
1	127-9256	2	Connecting Rod ASM	17	81-3250	2	Spark Plug
2	127-9258	4	Clip-Piston Pin	18	127-9231	6	Screw-HWH
3	127-9257	2	Pin-Piston	19	127-9232	4	Screw-HWH
4	127-9259	2	Piston	20	120-4303	4	Seat-Spring, Valve
5	127-9260	2	Ring Set-Piston	21	120-4304	4	Seal-Stem, Valve
6	127-9224	4	Lifter-Valve	22	120-4305	4	Spring-Valve
7	127-9225	4	Rod-Push	23	120-4306	4	Retainer-Spring, Valve
8	127-9226	2	Gasket-Head, Cylinder	24	120-4307	8	Keeper-Valve
9	127-9227	4	Pin-Dowel	25	127-9233	2	Plate-Push Rod, Guide
10	127-9228	2	Valve Set	26	127-9294	4	Rocker Arm ASM
11	127-9229	1	Head-Cylinder	27	127-9295	2	Gasket-Valve Cover
12	127-9254	1	Head-Cylinder	28	127-9050	2	Cover-Valve
13	121-0464	4	Stud-Exhaust	29	120-4225	8	Screw-HHF
14	120-4317	2	Gasket-Exhaust	30	120-4214	1	Screw-Shoulder, HH
15	127-9279	4	Washer-Lock, Split	31	133-9819	1	Complete Right Head ASM
16	121-0199	4	Nut-HH	32	133-9820	1	Complete Left Head ASM

Blower Housing Assembly

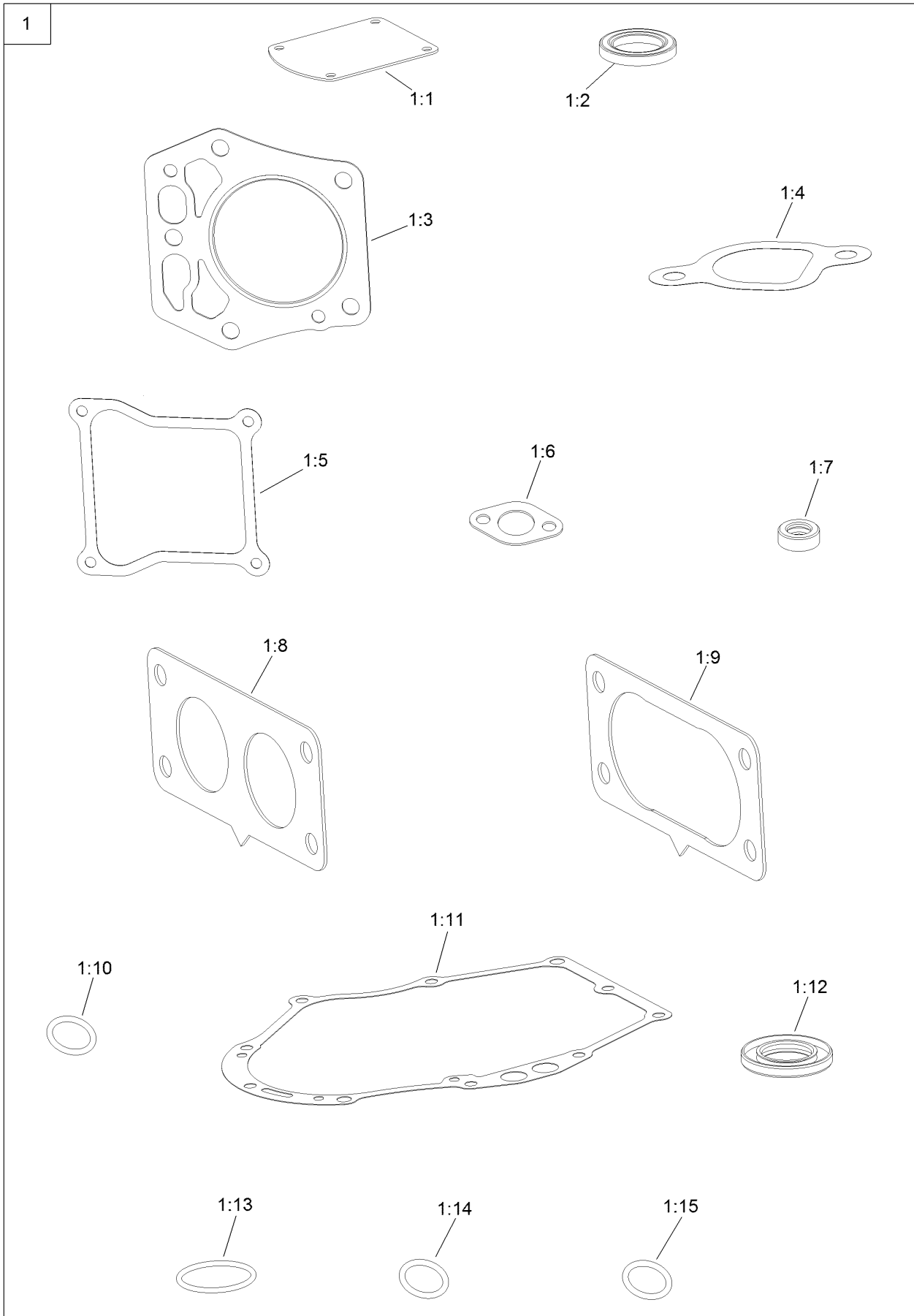


Blower Housing Assembly (continued)

<i>Ref.</i>	<i>Part Number</i>	<i>Qty.</i>	<i>Description</i>	<i>Ref.</i>	<i>Part Number</i>	<i>Qty.</i>	<i>Description</i>
1	133-1571	4	Screw-PPH, Plastic	8	127-9281	1	Plate-Spring
2	127-9045	1	Cover-Fan	9	127-9049	1	Baffle-Air, Left
3	127-9196	6	Screw-Shoulder, HWH	10	120-4210	2	Screw-Shoulder, HHF
4	133-1572	1	Shroud-Engine	11	127-9048	1	Baffle-Air, Right
5	127-9046	1	Door-Filter, Air	12	127-9287	1	Cleat-Hose
6	127-9280	2	Pin-Hair	13	120-4232	2	Screw-HHF
7	127-9282	2	Pin				

Gasket and Seal Kit

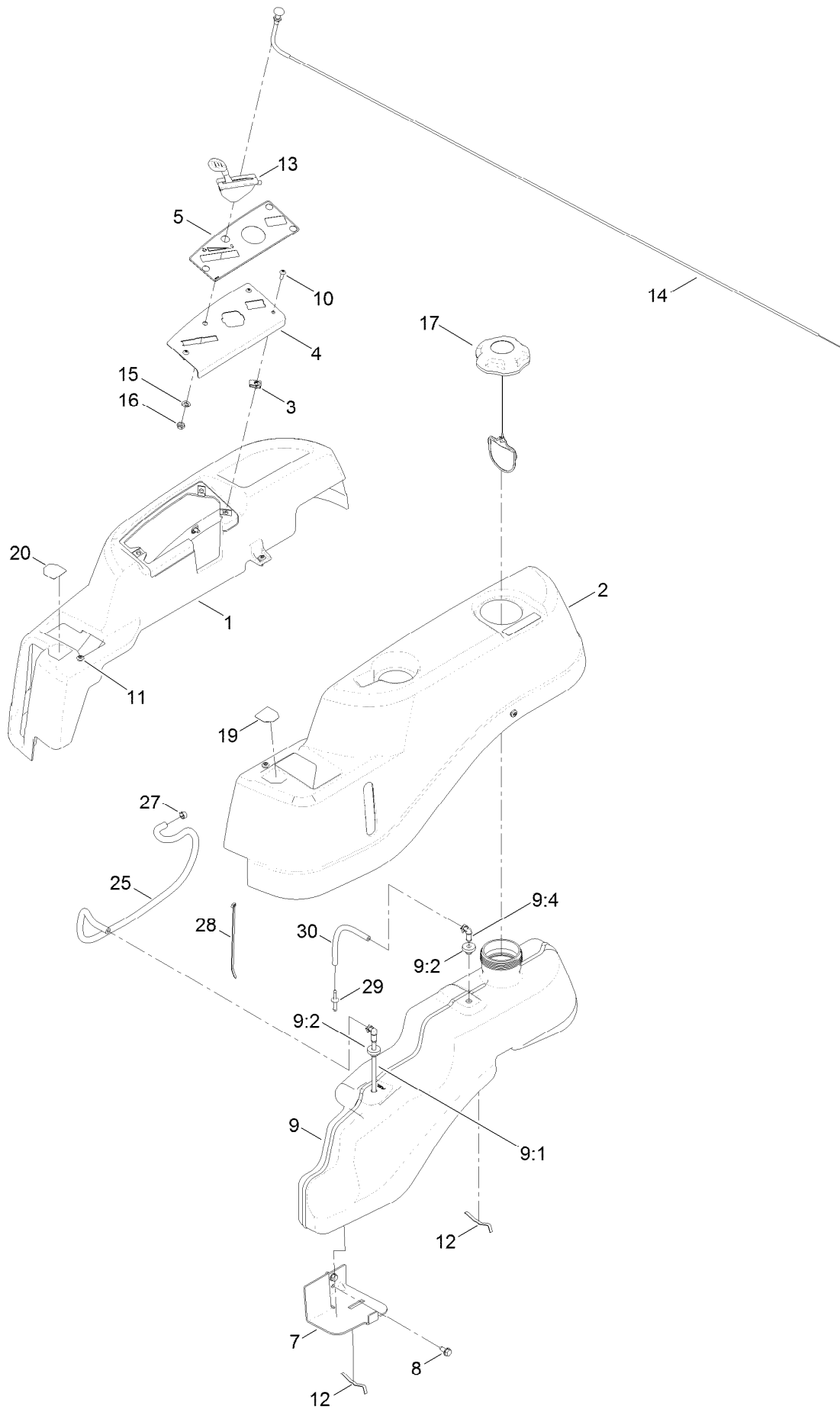
1



Gasket and Seal Kit (continued)

<i>Ref.</i>	<i>Part Number</i>	<i>Qty.</i>	<i>Description</i>	<i>Ref.</i>	<i>Part Number</i>	<i>Qty.</i>	<i>Description</i>
1	127-9296	1	Gasket And Seal Kit	1:8	127-9246	2	Gasket-Carburetor
1:1	127-9214	1	Gasket-Breather	1:9	127-9251	1	Gasket-Carburetor
1:2	120-4267	1	Seal-Oil	1:10	120-4262	2	O-Ring
1:3	127-9226	2	Gasket-Head, Cylinder	1:11	127-9267	1	Gasket-Cover, Crankcase
1:4	127-9230	2	Gasket-Intake	1:12	127-9271	1	Seal
1:5	127-9295	2	Gasket-Valve Cover	1:13	127-9273	1	O-Ring
1:6	120-4317	2	Gasket-Exhaust	1:14	127-9284	1	O-Ring
1:7	120-4257	1	Seal-Oil	1:15	127-9286	1	O-Ring

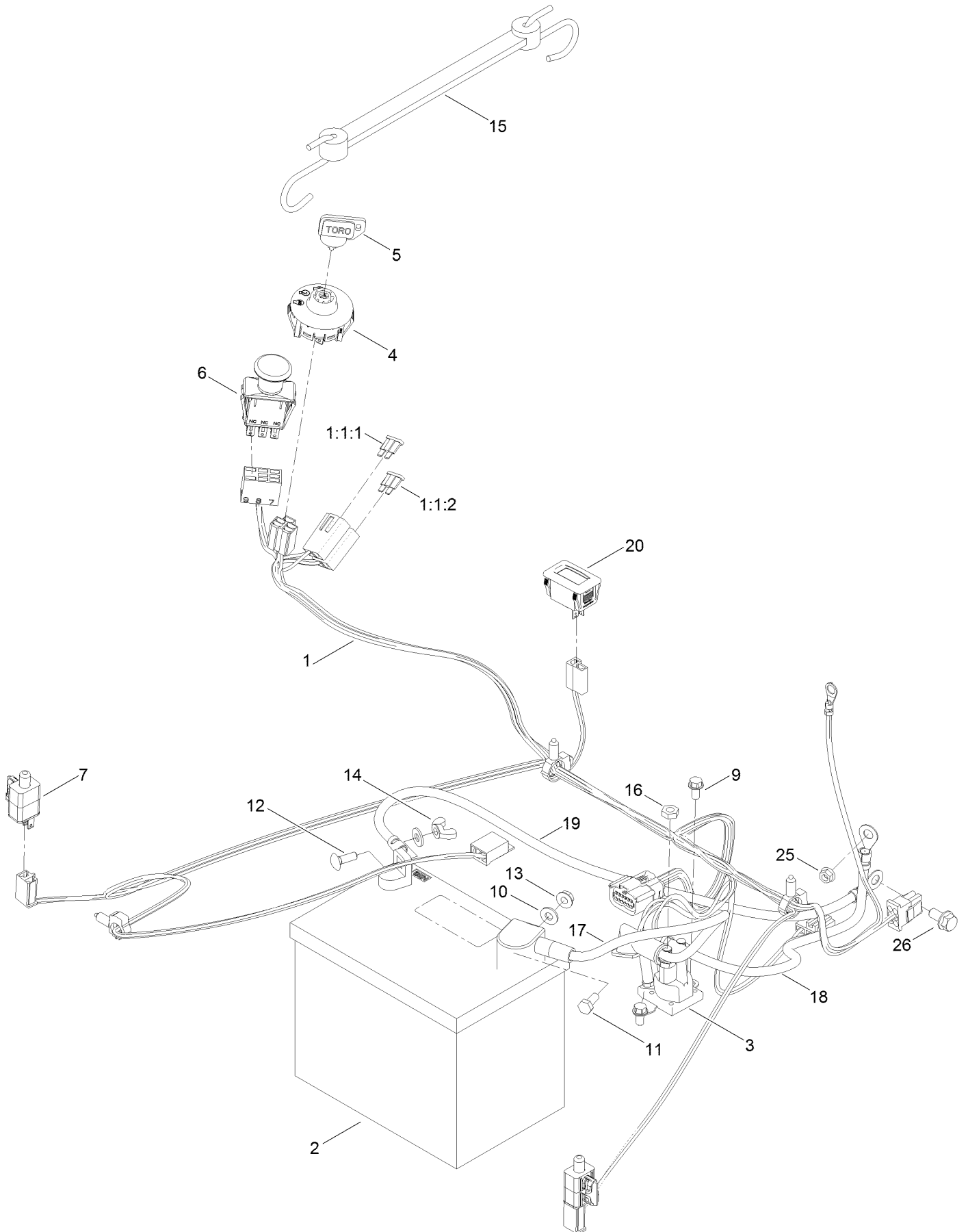
Body Styling and Fuel Tank Assembly



Body Styling and Fuel Tank Assembly (continued)

<i>Ref.</i>	<i>Part Number</i>	<i>Qty.</i>	<i>Description</i>	<i>Ref.</i>	<i>Part Number</i>	<i>Qty.</i>	<i>Description</i>
1	119-3335	1	Pod-RH	12	609830	2	Spring
2	119-3334	1	Pod-LH	13	121-0769	1	Cable-Throttle
3	107069	3	Clip	14	112-9753	1	Cable-Choke
4	119-3378-03	1	Plate-Control	15	3253-21	1	Washer-Lock
5	121-0772	1	Decal-Panel, Control	16	3220-3	1	Nut-HJ
7	119-3476-03	1	Support-Tank, Front	17	120-5461	1	Cap-Fuel, Ratcheting
8	32144-70	2	Screw-HWHTF	19	119-8814	1	Decal-Control Lever, LH
9	119-3324	1	Fuel Tank ASM	20	119-8815	1	Decal-Control Lever, RH
9:1	121-0793	1	Connector-Elbow, 90 DEG	25	109-0281	1	Hose-Fuel
9:2	46-6560	2	Bushing	27	2412-98	3	Clamp-Hose
9:4	117-7400	1	Fitting-Plastic	28	614249	1	Tie-Cable
10	3258-166	3	Screw-PRH	29	117-5399	1	Adaptor-Orifice
11	120-7950	6	Screw-Shoulder	30	110-1876	1	Hose-Fuel

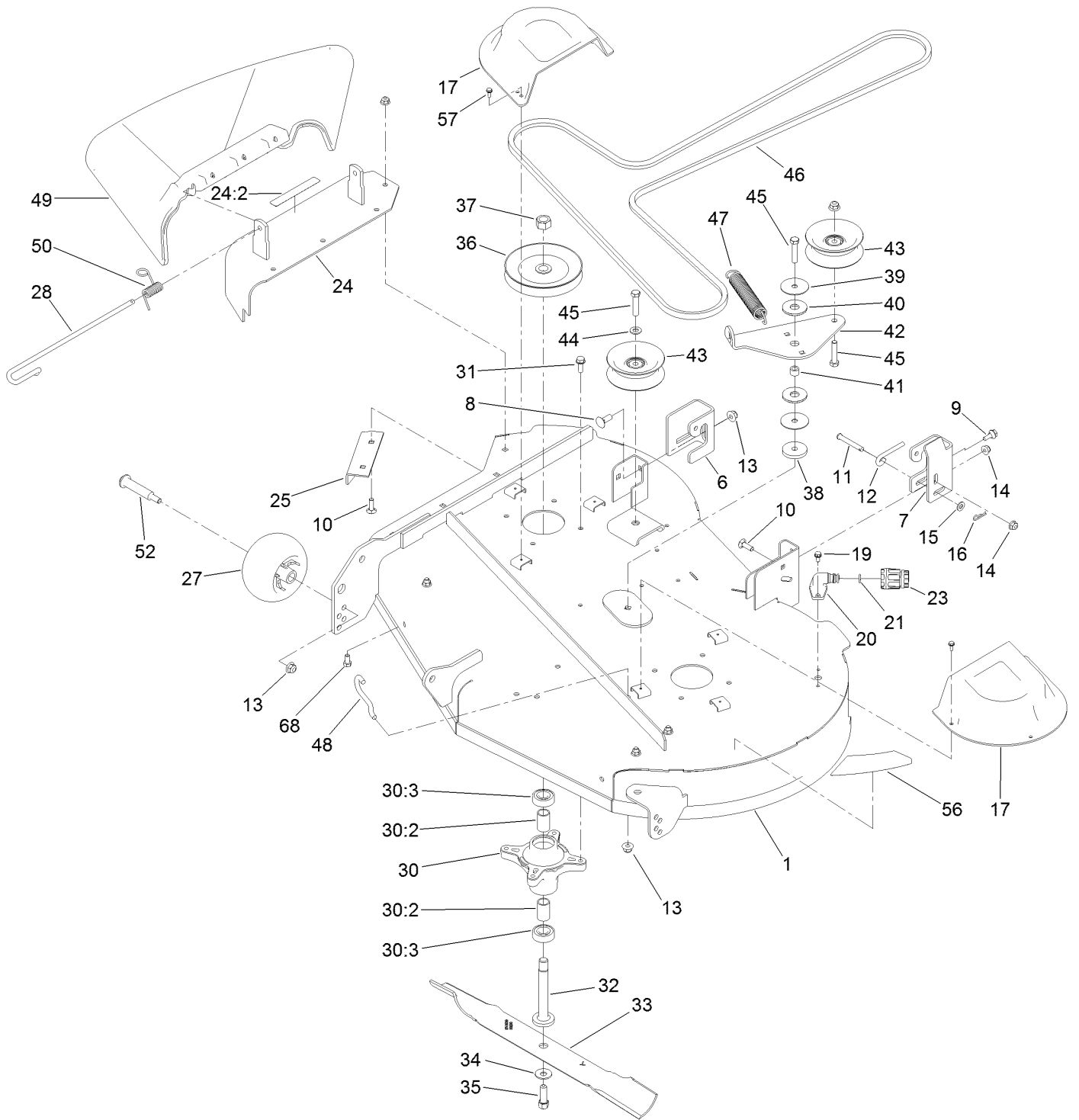
Battery and Electrical Assembly



Battery and Electrical Assembly (continued)

<i>Ref.</i>	<i>Part Number</i>	<i>Qty.</i>	<i>Description</i>	<i>Ref.</i>	<i>Part Number</i>	<i>Qty.</i>	<i>Description</i>
1	136-7482	1	Harness-Wire	12	3229-1	1	Bolt-CARR
1:1:1	109103	1	Fuse-Blade, 30 Amp	13	32128-33	1	Nut-HF
1:1:2	109102	1	Fuse-Blade, 25 Amp	14	32103-22	1	Nut-Wing
2	105-1692	1	Battery-Dry	15	104-2466	1	Holddown-Battery
3	117-1197	1	Solenoid	16	3220-2	2	Nut-Jam
4	117-2221	1	Switch-Ignition	17	119-8897	1	Cable-Battery, Red
5	63-8360	1	Key-Ignition	18	121-0711	1	Cable-Battery, Positive
6	103-5221	1	Switch-PTO	19	119-8899	1	Cable-Battery, Black
7	110-6765	2	Switch	20	120-2244	1	Hourmeter
9	32144-4	2	Screw-HWH	25	33003-00	1	Nut-HF
10	3256-22	2	Washer-Flat	26	3234-14	1	Screw-HHF
11	321-3	1	Screw-HH				

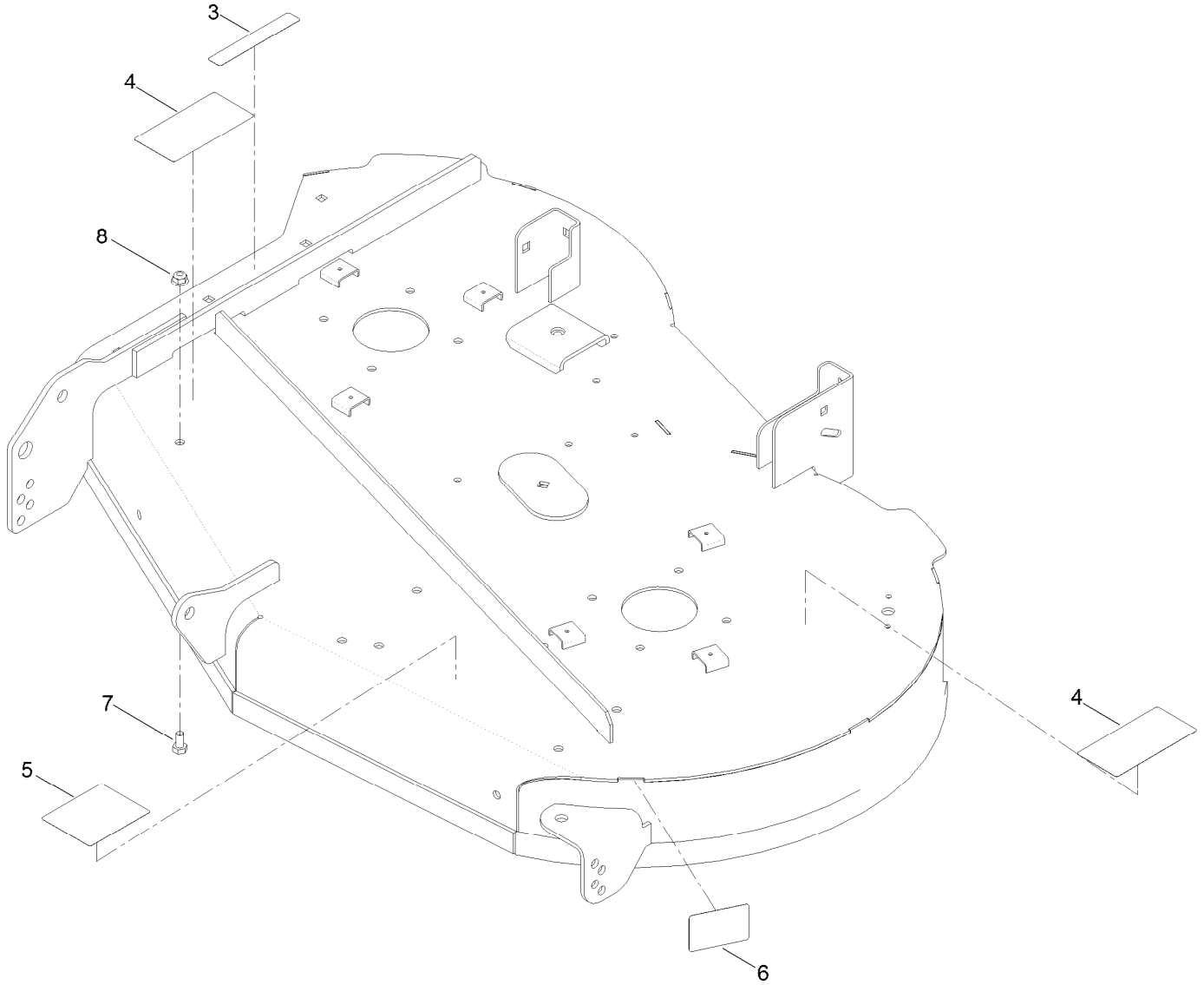
Deck Assembly



Deck Assembly (continued)

<i>Ref.</i>	<i>Part Number</i>	<i>Qty.</i>	<i>Description</i>	<i>Ref.</i>	<i>Part Number</i>	<i>Qty.</i>	<i>Description</i>
1	131-3610	1	42In Deck ASM	31	32144-41	8	Screw-Taptite
6	131-4138	1	Bracket-Hanger, RH	32	117-7268	2	Shaft-Spindle
7	131-1091	1	Bracket-Hanger, LH	33	131-3939-03	2	Blade-High Lift
8	3231-2	2	Bolt-CARR	34	3290-465	2	Washer-Belleville
9	120-7024	1	Screw-Shoulder, HHF	35	26-0671	2	Screw-HH
10	3230-22	5	Screw-CARR	36	125-5574	2	Pulley
11	110-0618	1	Pin-Clevis	37	3219-6	2	Nut-Hex
12	131-0955	1	Rod-Level, Deck	38	110-9981	1	Washer-Plain
13	104-8301	6	Nut-Flange, NI	39	120-2229	2	Washer
14	104-8300	9	Nut-Flange, NI	40	114-0463	2	Washer-Friction, Composite
15	3256-23	1	Washer-Flat	41	115-4986	1	Spacer
16	1-806003	1	Pin-Cotter	42	114-8540	1	Arm-Idler
17	108-7889	2	Cover-Belt	43	106-2175	2	Pulley-Idler, Flat
19	32144-4	2	Screw-HWH	44	3256-24	1	Washer-Flat
20	95-2747	1	Fitting-Washout	45	323-9	3	Screw-HH
21	46-6290	1	O-Ring	46	119-8819	1	V-Belt
23	95-3270	1	Connector-Hose	47	106-2177	1	Spring-Extension
24	131-3961	1	Cover ASM W/Decal	48	88-5970	1	Hook-Return, Spring
24:2	93-7009	1	Decal-Danger	49	121-0739	1	Deflector-Discharge
25	120-7951-03	1	Baffle-Cutoff	50	121-2983	1	Spring-Torsion
27	1-603299	2	Roller-Scalp, Anti	52	112-3977	2	Bolt-Shoulder
28	109-8854	1	Pin-Chute	56	121-0791	1	Decal-Deck
30	121-0751	2	Spindle ASM	57	32144-1	6	Screw-Taptite
30:2	120-7935	2	Spacer	68	322-2	3	Screw-HH
30:3	38-7820	2	Bearing-Ball				

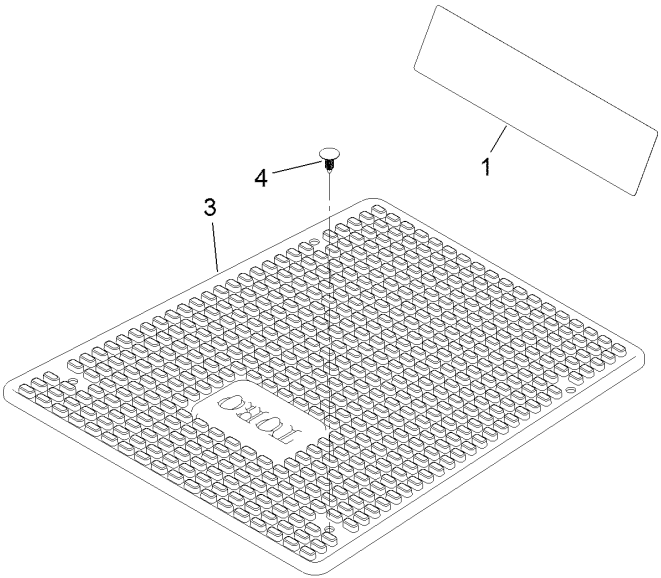
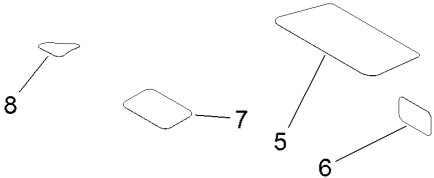
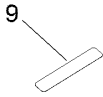
42 Inch Deck and Decal Assembly No. 131-3610



42 Inch Deck and Decal Assembly No. 131-3610 (continued)

<i>Ref.</i>	<i>Part Number</i>	<i>Qty.</i>	<i>Description</i>	<i>Ref.</i>	<i>Part Number</i>	<i>Qty.</i>	<i>Description</i>
3	93-7009	1	Decal-Danger	6	112-9840	1	Decal-Scalp, Anti
4	132-0872	2	Decal-Danger, Deck	7	322-2	3	Screw-HH
5	105-7015	1	Decal-Routing, Belt	8	104-8300	3	Nut-Flange, NI

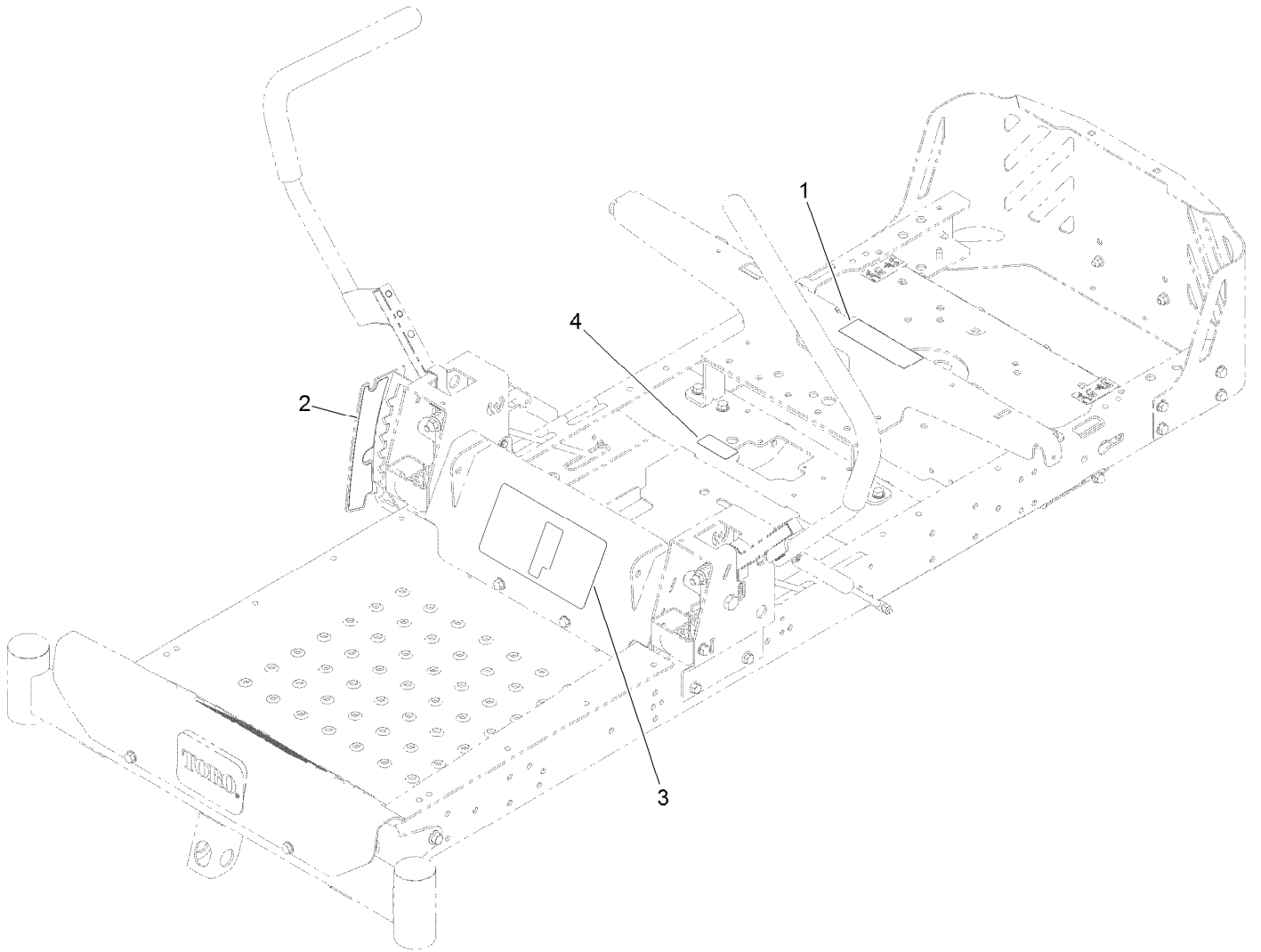
Model-Specific Decal and Floor-Mat Assembly



Model-Specific Decal and Floor-Mat Assembly (continued)

<i>Ref.</i>	<i>Part Number</i>	<i>Qty.</i>	<i>Description</i>	<i>Ref.</i>	<i>Part Number</i>	<i>Qty.</i>	<i>Description</i>
1	131-3654	1	Decal-Timecutter	6	127-9076	1	Placard-Intake
3	132-6895	1	Mat-Floor	7	131-4157	1	Decal
4	117-2382	4	Plug-Plastic	8	131-1097	1	Decal-Drain, Oil
5	136-5597	1	Decal-Engine	9	132-0904	1	Decal-Shutdown

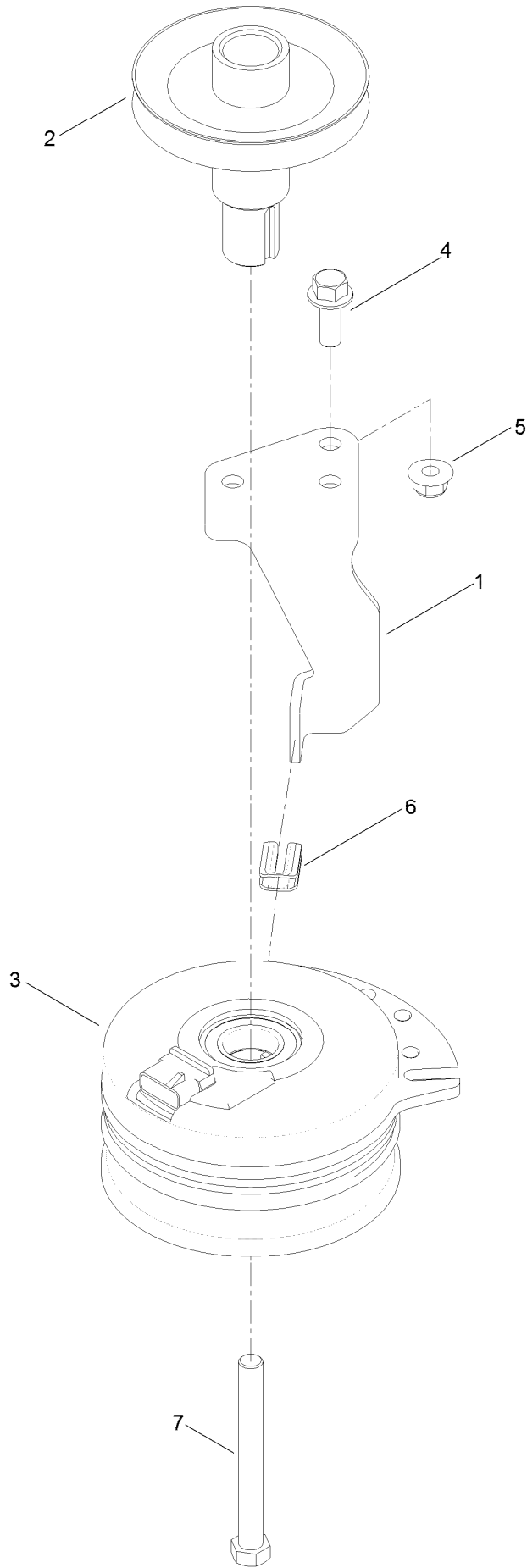
Speed Control Decal, HOC Decal and Service Decal Assembly



Speed Control Decal, HOC Decal and Service Decal Assembly (continued)

<i>Ref.</i>	<i>Part Number</i>	<i>Qty.</i>	<i>Description</i>	<i>Ref.</i>	<i>Part Number</i>	<i>Qty.</i>	<i>Description</i>
1	106-8717	1	Decal-Service	3	131-3947	1	Decal-Control, Speed
2	119-8871	1	Decal-HOC	4	121-5684	1	Decal-Location, Service Dealer

Clutch Assembly



Clutch Assembly (continued)

<i>Ref.</i>	<i>Part Number</i>	<i>Qty.</i>	<i>Description</i>	<i>Ref.</i>	<i>Part Number</i>	<i>Qty.</i>	<i>Description</i>
1	119-8884	1	Stop-Clutch	5	104-8301	1	Nut-Flange, NI
2	130-6854	1	Pulley-Engine	6	120-2217	1	Isolator-Clutch
3	117-7468	1	Clutch-Electric	7	3212-16	1	Screw-HH
4	3234-42	1	Screw-HHF				

Attachments and Accessories

For 74760 TimeCutter MX 4250 Riding Mower

Product Name	Model/Part
All Season Synthetic Oil.....	117-0066
Fuel Stabilizer (4oz).....	117-0089
Fuel Stabilizer (16oz).....	117-0090
Seat Cover w/Arm Rest	117-0097
Bagging Enhancement Kit	121-5698
Striping Kit	121-5702
Jack Mount Kit	126-5251
Jack Kit.....	127-6666
Replacement Blade Kit	131-3939-03P
Attachment Mount Kit	131-3966
42in Recycler Kit.....	131-4183
Weight Kit	131-7658
Seat ASM	136-5598
10w30 4-cycle Engine Oil (32oz Bottle)	38280
Toro 4-cycle Sae 30 Oil (32oz Bottle).....	38903
Storage Cover	490-7516
Sunshade Kit	79011
Cargo Carrier.....	79040
Assist Handle and Step Kit	79339
42in Bagger	79394

Notes:

Notes:

Notes:



Count on it.