



Count on it.

Parts Catalog

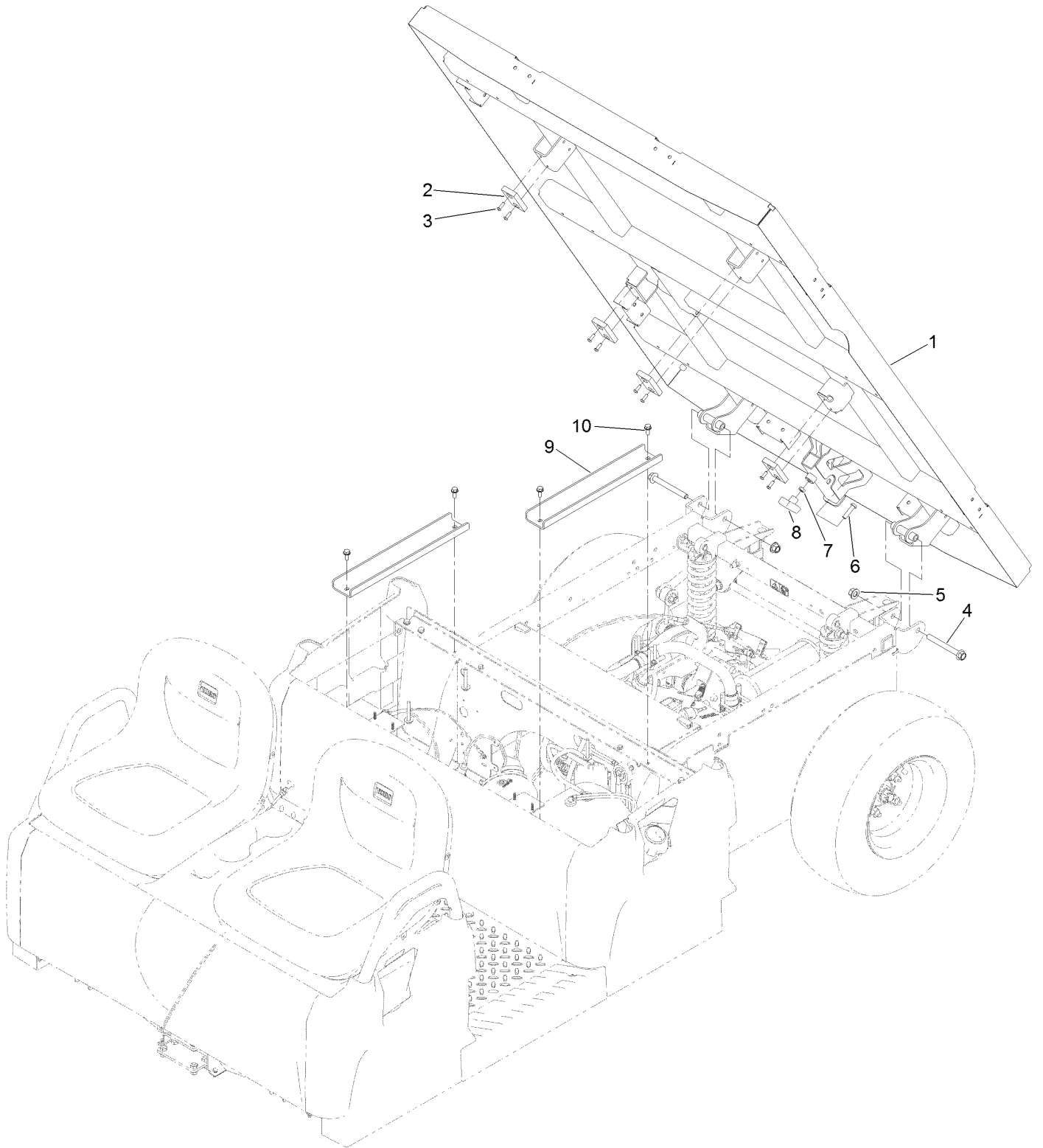
Extended Bed Kit

Workman® GTX Series Utility Vehicle

Model No. 07149



Extended Bed Assembly



Extended Bed Assembly (continued)

<i>Ref.</i>	<i>Part Number</i>	<i>Qty.</i>	<i>Description</i>	<i>Ref.</i>	<i>Part Number</i>	<i>Qty.</i>	<i>Description</i>
1	132-8595	1	Bed-Cargo	6	95-3857	1	Screw-HSBH
2	93-9719	4	Block-Wear	7	3217-7	1	Nut-Hex
3	3274-69	8	Screw-HSBH	8	133-3056	1	Handle-T
4	117-3176	2	Screw-HHF	9	133-3089	2	Bracket-Bed Support, Front
5	99-5107	2	Nut-Lock	10	32144-11	4	Screw-HWHTF



Count on it.