



# Hydraulic Cap Lock Kit

GrandStand® Mower

Model No. 136-5420

## Installation Instructions

### ▲ WARNING

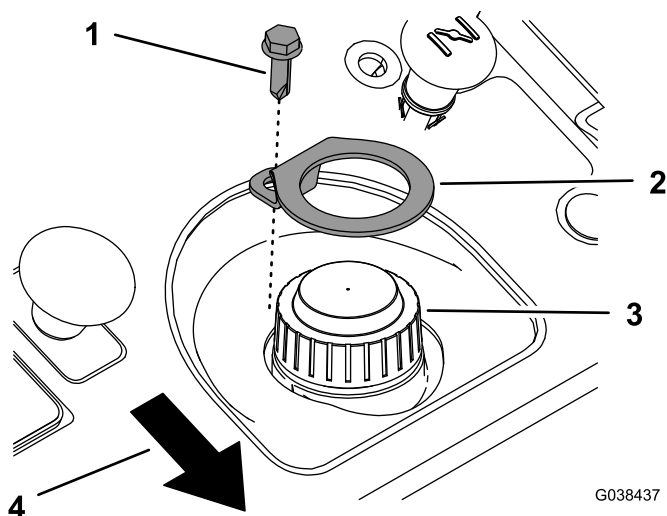
#### CALIFORNIA Proposition 65 Warning

This product contains a chemical or chemicals known to the State of California to cause cancer, birth defects, or reproductive harm.

Place the cap lock over the hydraulic-tank cap in the orientation shown in the figure. Secure the cap lock using the self-tapping screw.

**Note:** You do not need to drill a hole prior to installing the self-tapping screw.

**Important:** You must install the self-tapping screw toward the rear of the machine, otherwise you could damage the hydraulic tank.



1. Self-tapping screw
2. Cap lock

3. Hydraulic-tank cap
4. Direction toward the front of the machine

