

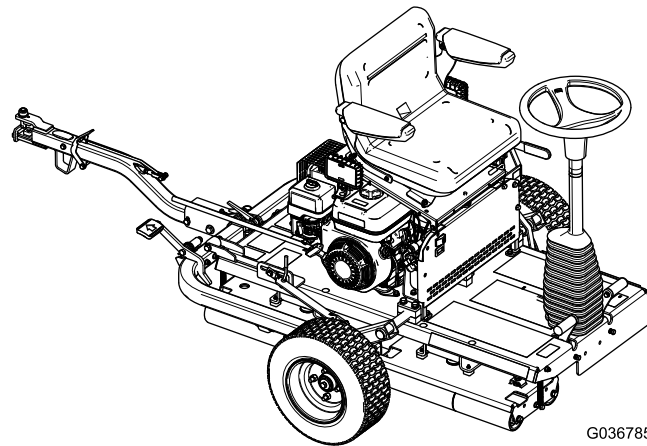


**Count on it.**

**Operator's Manual**

# GreensPro™ 1260 Greens Roller

Model No. 44913—Serial No. 40000000 and Up



G036785



This product complies with all relevant European directives. For details, please see the separate product specific Declaration of Conformity (DOC) sheet.

## ▲ WARNING

### CALIFORNIA Proposition 65 Warning

This product contains a chemical or chemicals known to the State of California to cause cancer, birth defects, or reproductive harm.

The engine exhaust from this product contains chemicals known to the State of California to cause cancer, birth defects, or other reproductive harm.

**Important:** It is a violation of California Public Resource Code Section 4442 or 4443 to use or operate the engine on any forest-covered, brush-covered, or grass-covered land unless the engine is equipped with a spark arrester, as defined in Section 4442, maintained in effective working order or the engine is constructed, equipped, and maintained for the prevention of fire.

This spark ignition system complies with Canadian ICES-002

# Introduction

This machine is a ride-on, greens roller intended to be used by professional, hired operators in commercial applications. It is primarily designed for rolling greens, tennis courts, and other fine turf surfaces on well-maintained lawns in parks, golf courses, sports fields, and on commercial grounds.

Read this information carefully to learn how to operate and maintain your product properly and to avoid injury and product damage. You are responsible for operating the product properly and safely.

You may contact Toro directly at [www.Toro.com](http://www.Toro.com) for product and accessory information, help finding a dealer, or to register your product.

Whenever you need service, genuine Toro parts, or additional information, contact an Authorized Service Dealer or Toro Customer Service and have the model and serial numbers of your product ready. [Figure 1](#) identifies the location of the model and serial numbers on the product. Write the numbers in the space provided.

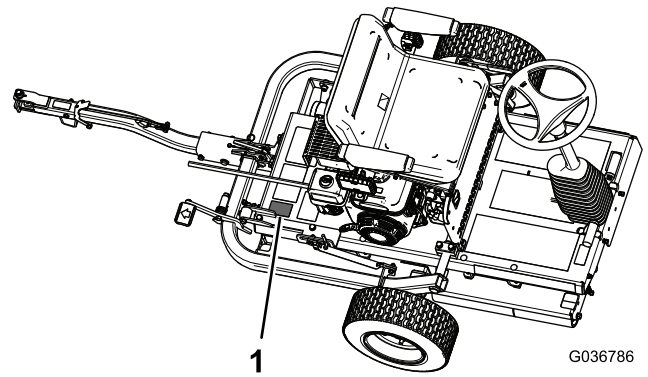


Figure 1

1. Location of the model and serial numbers

Model No. \_\_\_\_\_

Serial No. \_\_\_\_\_

This manual identifies potential hazards and has safety messages identified by the safety-alert symbol ([Figure 2](#)), which signals a hazard that may cause serious injury or death if you do not follow the recommended precautions.



Figure 2

1. Safety-alert symbol

This manual uses 2 words to highlight information.

**Important** calls attention to special mechanical information and **Note** emphasizes general information worthy of special attention.

# Contents

Safety .....	4
Safe Operating Practices .....	4
Toro Safety .....	6
Safety and Instructional Decals .....	6
Setup .....	10
1 Installing the Transport Wheels .....	11
2 Installing the Hitch Assembly .....	11
3 Replacing the Warning Decal .....	13
4 Removing the Machine from the Pallet .....	13
5 Lubricating the Machine .....	13
Product Overview .....	15
Controls .....	15
Engine Controls .....	16
Specifications .....	17
Attachments/Accessories .....	17
Operation .....	17
Think Safety First .....	17
Preparing to Use the Machine .....	17
Checking the Hydraulic Hoses and Fittings .....	18
Checking the Level of the Engine Oil .....	18
Checking the Level of the Hydraulic Fluid .....	19
Checking the Tire Pressure .....	20
Filling the Fuel Tank .....	20
Starting and Shutting Off the Engine .....	21
Checking the Safety-Interlock System .....	22
Using the Hitch Lock .....	22
Transporting the Machine .....	23
Operating the Machine .....	24
Operating Tips .....	24
Maintenance .....	25
Recommended Maintenance Schedule(s) .....	25
Notation for Areas of Concern .....	27
Daily Maintenance Checklist .....	27
Pre-maintenance Procedures .....	28
Lubrication .....	28
Lubricating the Drive-Roller Bearing .....	28
Engine Maintenance .....	29
Changing the Engine Oil .....	29
Servicing the Air Cleaner .....	30
Servicing the Spark Plug .....	30
Checking and Adjusting the Valve Clearance .....	31
Fuel System Maintenance .....	32
Cleaning the Sediment Cup .....	32
Drive System Maintenance .....	33
Changing the Hydraulic Fluid and Filter .....	33
Brake Maintenance .....	34
Checking and Adjusting the Parking Brake .....	34
Cleaning .....	34
Storage .....	35

# Safety

This machine has been designed in accordance with EN ISO 12100:2010 and ANSI B71.4-2012.

**Important: For CE required regulatory data, refer to the Declaration of Conformity supplied with the machine.**

Improperly using or maintaining the machine can result in injury. To reduce the potential for injury, comply with these safety instructions and always pay attention to the safety alert symbol, which means Caution, Warning, or Danger—personal safety instruction. Failure to comply with the instruction may result in personal injury or death.

## Safe Operating Practices

### Training

- Read the *Operator's Manual* and other training material carefully. Be familiar with the controls, safety signs, and the proper use of the machine.
- If the operator(s) or mechanic(s) cannot read or understand the information it is the owner's responsibility to explain this material to them.
- All operators and mechanics should be trained. The owner is responsible for training the users.
- Never allow children or people unfamiliar with these instructions to use or service the machine. Local regulations may restrict the age of the operator.
- Never operate the machine while people, especially children, or pets are nearby.
- Keep in mind that the operator or user is responsible for accidents or hazards occurring to other people or their property.
- The owner/user can prevent and is responsible for accidents or injuries occurring to people or damage to property
- Do not carry passengers.
- All drivers should seek and obtain professional and practical instruction. Such instruction should emphasize:
  - The need for care and concentration when working with ride-on machines;
  - Using the motion pedals is not effective in gaining control of a ride-on machine sliding on a slope.

The main reasons for loss of control are:

- Insufficient roller grip;
  - Being driven too fast;
  - Inadequate braking;
  - The type of machine is unsuitable for the task;
  - Lack of awareness of the effect of ground conditions, especially slopes
- Watch out for traffic when crossing or near roadways.

### Preparation

- While operating the machine, always wear substantial, slip-resistant footwear, safety glasses, and ear protection. Tie back long hair. Do not wear jewelry.
- Thoroughly inspect the area where you will use the machine, and remove all objects which may be damaged by the machine or which may damage the machine.
- Replace worn or damaged silencers.
- Evaluate the terrain to determine what accessories and attachments are needed to properly and safely perform the job. Use only accessories and attachments approved by the manufacturer.
- Check that all safety shields are attached and functioning properly. Do not operate unless they are functioning properly.

### Operation

- Do not operate the engine in a confined space where dangerous carbon monoxide and other exhaust gasses can collect.
- Operate the machine only in daylight or in good artificial light.
- Stay alert for holes in the terrain and other hidden hazards.
- Avoid operating the machine in wet grass, where feasible.
- Exercise extreme caution when changing direction on slopes.
- Do not use on excessively steep slopes.
- Remember that there is no such thing as a safe slope. Travel on grass slopes requires particular care. To guard against overturning:
  - Do not stop or start suddenly when going up or downhill.
  - Engage the transmission slowly.
  - Stay alert for humps and hollows and other hidden hazards.
- Before dismounting the machine, ensure that it is parked on a level surface and engage the parking brake so that it does not roll away.
- Slow down and use extra care on hillsides. Turf conditions can affect the stability of the machine. Use caution while operating near drop-offs.
- Shut off the fuel while storing or transporting the machine. Do not store fuel near flames or drain indoors.
- Park the machine on level ground. Chock the wheels or engage the parking brake as required. Never allow untrained personnel to service the machine.
- Use jack stands to support components when required.
- Carefully release pressure from components with stored energy.
- Never allow anyone near the machine while in operation.

- Never operate the machine with damaged guards or without guards in place. Be sure that all guards are functioning properly.
- Do not change the engine governor settings or over speed the engine. Operating the engine at excessive speed may increase the hazard of personal injury.
- Before leaving the operator's position:
  - Stop the machine on level ground.
  - Engage the parking brake.
  - Turn the engine speed to idle, and allow it to run for 10 to 20 seconds.
  - Shut off the engine.
- Shut off the engine:
  - Before fueling;
  - Before checking, cleaning, or working on the machine;
  - After striking a foreign object or if an abnormal vibration occurs. Inspect the machine for damage and make repairs before starting again and operating the machine.
- Reduce the throttle setting before shutting off the engine and turn off the fuel-shutoff valve at the conclusion of operation.
- Keep hands and feet away from the rollers.
- Do not operate the machine when ill, tired, or under the influence of alcohol or drugs.
- Lightning can cause severe injury or death. If you see lightning or hear thunder in the area, do not operate the machine; seek shelter.
- Use care when loading or unloading the machine into or out of a trailer or a truck.

## Safe Handling of Fuels

- To avoid personal injury or property damage, use extreme care in handling fuel. Fuel is extremely flammable and the vapors are explosive.
- Extinguish all cigarettes, cigars, pipes, and other sources of ignition.
- Use only an approved fuel container.
- Never remove the fuel cap or add fuel with the engine running.
- Allow engine to cool before refueling.
- Never refuel the machine indoors.
- Never store the machine or fuel container where there is an open flame, spark, or pilot light, such as on a water heater or on other appliances.
- Never fill containers inside a vehicle or on a truck or trailer bed with a plastic liner. Always place containers on the ground, away from your vehicle before filling.
- Remove equipment from the truck or trailer and refuel it on the ground. If this is not possible, then refuel such equipment with a portable container rather than from a fuel dispenser nozzle.

- Keep the nozzle in contact with the rim of the fuel tank or container opening at all times until fueling is complete.
- Do not use a nozzle lock-open device.
- If fuel is spilled on clothing, change clothing immediately.
- Never overfill the fuel tank. Replace the fuel cap and tighten it securely.

## Maintenance and Storage

- Close the fuel-shutoff valve while storing or transporting the machine. Do not store fuel near flames or drain fuel indoors.
- Park the machine on level ground. Engage the parking brake and chock the trailer wheels as required. Never allow untrained personnel to service the machine.
- Use jack stands to support components when required.
- Carefully release pressure from components with stored energy.
- Keep all nuts, bolts, and screws tight to be sure that the machine is in safe working condition. Replace all worn or damaged nuts, bolts, and screws.
- Never store the machine with fuel in the tank inside a building where fumes may reach an open flame or spark.
- Allow the engine to cool before storing the machine in any enclosure, and do not store it near a flame.
- To reduce the risk of fire, keep the engine, silencer, and fuel-storage area free of grass, leaves, or excessive grease.
- Keep all parts in good working condition and all hardware and hydraulic fittings tightened. Replace all worn or damaged parts and decals.
- If the fuel tank has to be drained, do this outdoors.
- Be careful while adjusting the machine to prevent entrapment of the fingers between moving and fixed parts of the machine.
- Shut off the engine and disconnect the spark-plug wire. Wait for all movement to stop before adjusting, cleaning, or repairing.
- Clean grass and debris from rollers, drives, mufflers, and engine to help prevent fires. Clean up oil or fuel spills.
- Keep your hands and feet away from moving parts. If possible, do not make adjustments with the engine running.

## Hauling

- Use care when loading or unloading the machine into or out of a trailer or a truck.
- Use full-width ramps for loading or unloading the machine into or out of a trailer or a truck.
- Tie the machine down securely using straps, chains, cable, or ropes. Both front and rear straps should be directed down and outward from the machine.

# Toro Safety

The following list contains safety information specific to Toro products or other safety information that you must know that is not included in the CE, ISO, or ANSI standard.

Always follow all safety instructions to avoid serious injury or death.

Use of this product for purposes other than the intended use could prove dangerous to user and bystanders.

- The direction on the machine (right or left) is determined from the seated operator's position.
- Know how to shut off the engine quickly.
- Wearing safety shoes and long pants is advisable and required by some local ordinances and insurance regulations.
- Handle fuel carefully. Wipe up any spills.
- Using the machine demands attention. To prevent loss of control:
  - Do not drive close to sand traps, ditches, creeks, or other hazards.
  - Reduce speed when making turns. Avoid sudden stops and starts.

- Do not touch the engine, muffler, or exhaust pipe while the engine is running or soon after it has shut off, because these areas could be hot enough to cause burns.
- When a person or pet appears unexpectedly in or near the work area, stop operation.

## Maintenance and Storage

- Check all fuel lines for tightness and wear on a regular basis. Tighten or repair them as needed.
- If you must run the engine to perform a maintenance adjustment, keep your hands, feet, clothing, and any parts of the body away from the rollers, attachments, and any moving parts. Keep everyone away.
- To ensure safety and accuracy, have an Authorized Toro Distributor check the maximum engine speed with a tachometer. The maximum-governed engine speed should be 3,600 rpm.
- If the machine ever needs major repairs or if you desire assistance, contact an Authorized Toro Distributor.
- To ensure optimum performance and continued safety certification of the machine, use only genuine Toro replacement parts and accessories. Replacement parts and accessories made by other manufacturers could be dangerous, and such use could void the product warranty.

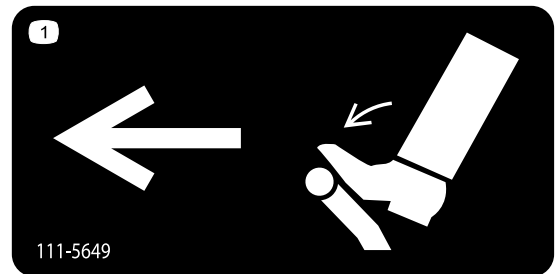
## Safety and Instructional Decals



Safety decals and instructions are easily visible to the operator and are located near any area of potential danger. Replace any decal that is damaged or missing.

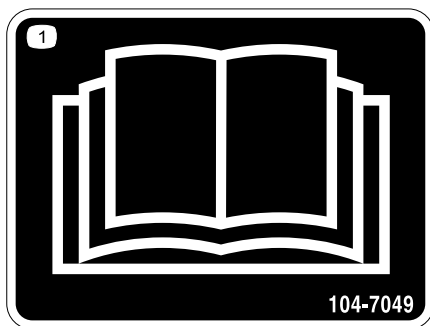


1. Hydraulic fluid
2. Read the *Operator's Manual*.



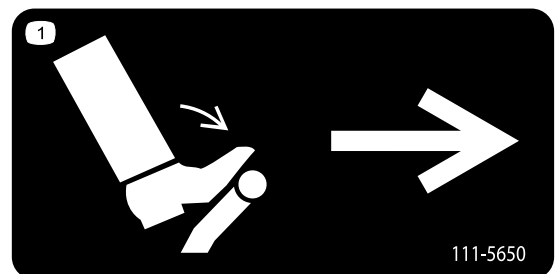
111-5649

1. Traction pedal, push to move left.



104-7049

1. Read the *Operator's Manual*.

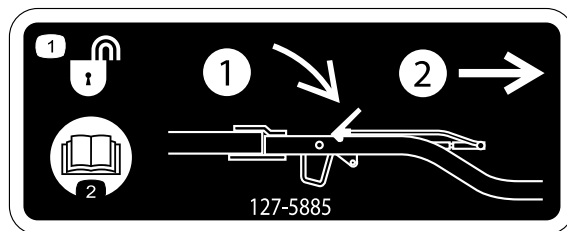


111-5650

1. Traction pedal, push to move right.

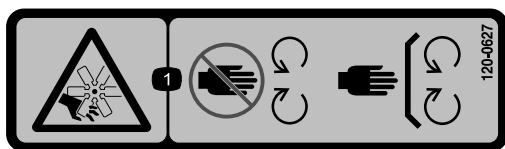
**CALIFORNIA SPARK ARRESTER WARNING**  
 Operation of this equipment may create sparks that can start fires around dry vegetation. A spark arrester may be required. The operator should contact local fire agencies for laws or regulations relating to fire prevention requirements. 117-2718

117-2718



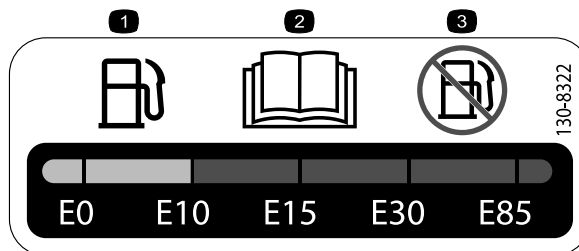
127-5885

1. Hitch unlock—1) push down on the latch; 2) pull out the hitch.
2. Read the *Operator's Manual*.



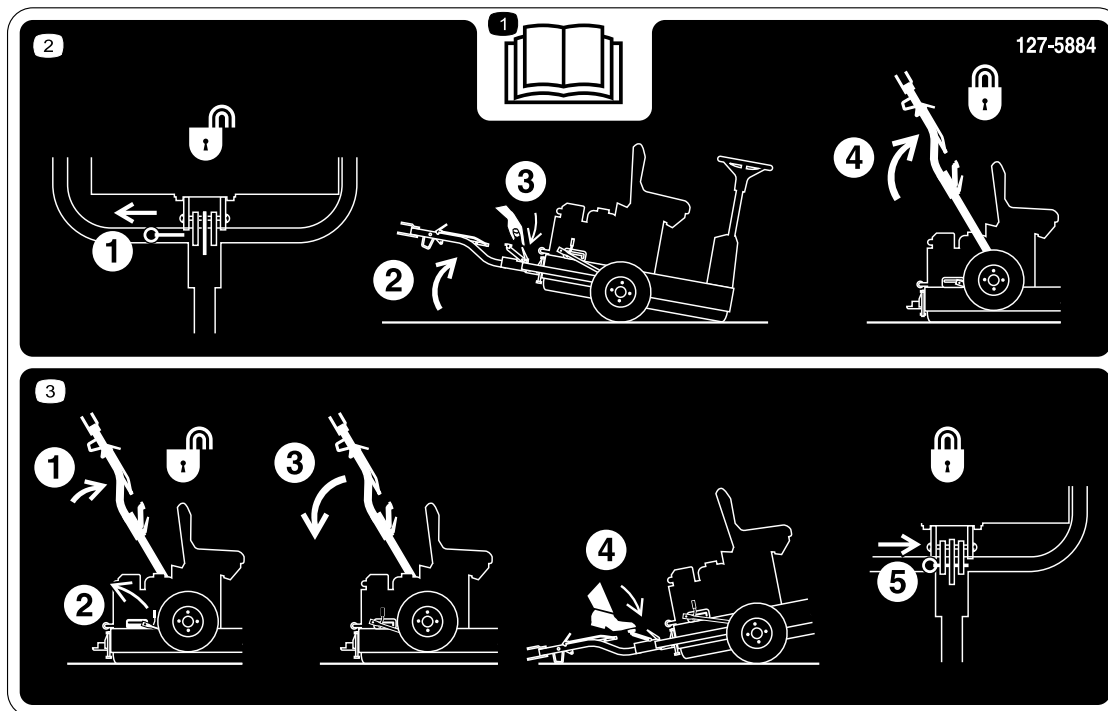
120-0627

1. Cutting/dismemberment hazard, fan—stay away from moving parts, keep all guards and shields in place.



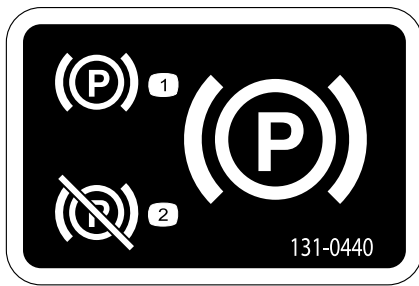
130-8322

1. Use only gasoline that contains 10% ethanol by volume (E10) or less.
2. Read the *Operator's Manual*.
3. Do not use gasoline that contains more than 10% ethanol by volume (E10).



127-5884

1. Read the *Operator's Manual*.
2. 1) Pull the lock pin; 2) Tip the machine up; 3) Unlatch the hitch; 4) Raise the hitch until the lever latch locks in the slide.
3. 1) Push the hitch up; 2) Release the latch lever; 3) Pull the hitch down; 4) Step on the foot pedal until the hitch snaps into place; 5) Insert the lock pin.



131-0440

1. Parking brake—engage      2. Parking brake—disengage

## GREENSPRO 1260 QUICK REFERENCE AID

**SEE OPERATOR'S MANUAL**

**CHECK/SERVICE (daily)**

1. OIL LEVEL, ENGINE
2. OIL LEVEL, HYDRAULIC TANK
3. AIR CLEANER
4. COOLING FINS
5. GREASE- LUBE POINT (1)
6. TIRE PRESSURE (15 PSI)

### FLUID SPECIFICATIONS / CHANGE INTERVALS

See operator's manual for initial change	FLUID TYPE	CAPACITY		CHANGE INTERVALS		FILTER PART NO.
		L	QTS.	FLUID	FILTER	
A. ENGINE OIL	SAE 30, SAE 5W30 SAE 10W-30	0.6	0.63	100 HRS.	—	—
B. HYDRAULIC OIL	ISO VG 46	3.9	4.1	400 HRS.	400 HRS.	1-633750
C. AIR FILTER	—	—	—	—	50 HRS.	—
D. FUEL SEDIMENT CUP	—	—	—	—	100 HRS.	—

132-9299

1. Read the *Operator's Manual* for more information on maintaining the machine.





**133-1701**

1. Warning—read the *Operator's Manual*; do not operate the machine unless you have received training.
2. Warning—wear hearing protection.
3. Warning—keep bystanders away from the machine.
4. Warning—keep away from moving parts; keep all guards and shields in place.
5. Tipping hazard—do not operate the machine near water; stay away from embankments or dropoffs.



**133-1702**  
CE only

1. Warning—read the *Operator's Manual*; do not operate the machine unless you have received training.
2. Warning—wear hearing protection.
3. Warning—keep bystanders away from the machine.
4. Warning—keep away from moving parts; keep all guards and shields in place.
5. Tipping hazard—do not drive across slopes greater than 15 degrees.

# Setup

## Loose Parts

Use the chart below to verify that all parts have been shipped.

Procedure	Description	Qty.	Use
<b>1</b>	Transport wheel	2	Install the transport wheels.
<b>2</b>	Lock bracket Bolt (M10 x 30 mm) Lock washer (M10) Washer (M10) Nut (M10) Hitch assembly Bolt (M10 x 100 mm) Locknut (M10) Bolt (M12 x 100 mm) Washer (M12) Locknut (M12) Spacer washer (when applicable)	1 4 4 6 4 1 1 1 1 2 1 2	Install the hitch assembly.
<b>3</b>	Warning decal	1	Replace the warning decal.
<b>4</b>	No parts required	–	Remove the machine from the pallet.
<b>5</b>	Lubricants (not included)	–	Lubricate the machine.

## Media and Additional Parts

Description	Qty.	Use
Operator's Manual Engine owner's manual	1 1	Read the manuals before operating the machine.
Parts catalog	1	Use the catalog to reference part numbers.
Certificate of Compliance	1	The certificate is required for European CE compliance.

# 1

## Installing the Transport Wheels

### Parts needed for this procedure:

2	Transport wheel
---	-----------------

### Procedure

1. Remove the lug nuts securing the wheel hubs to the shipping brackets (Figure 3). Also, remove the nuts threaded onto the stud of each wheel hub.

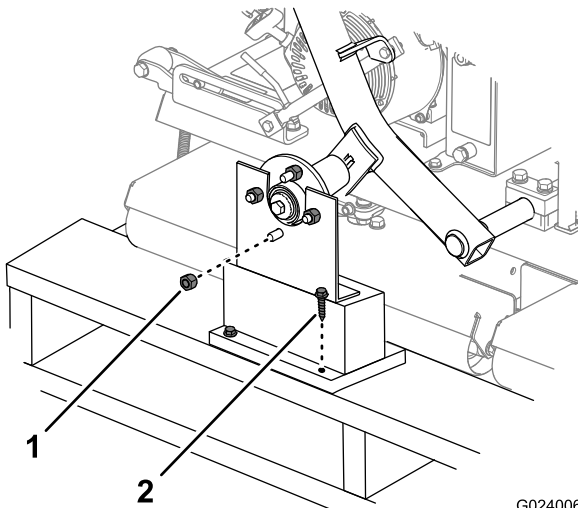


Figure 3

G024006

1. Lug nut
2. Shipping bracket

2. Carefully remove the shipping brackets from the crates.
3. Install the transport wheels onto the wheel hubs with the lug nuts. Hand-tighten the lug nuts.

**Note:** The lug nuts will be torqued at the completion of step 2.

4. Adjust the tire pressure to 103 kPa (15 psi).

# 2

## Installing the Hitch Assembly

### Parts needed for this procedure:

1	Lock bracket
4	Bolt (M10 x 30 mm)
4	Lock washer (M10)
6	Washer (M10)
4	Nut (M10)
1	Hitch assembly
1	Bolt (M10 x 100 mm)
1	Locknut (M10)
1	Bolt (M12 x 100 mm)
2	Washer (M12)
1	Locknut (M12)
2	Spacer washer (when applicable)

### Procedure

1. Install the lock bracket to the frame of the machine as shown in Figure 4.

**Note:** Torque the nuts to 52 N·m (38 ft-lb).

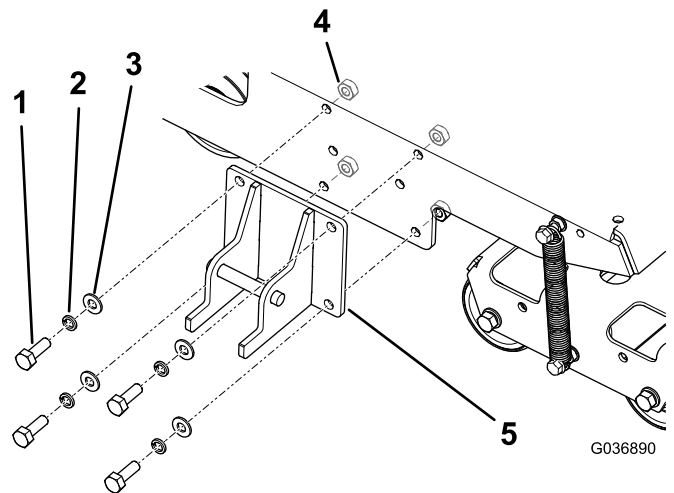


Figure 4

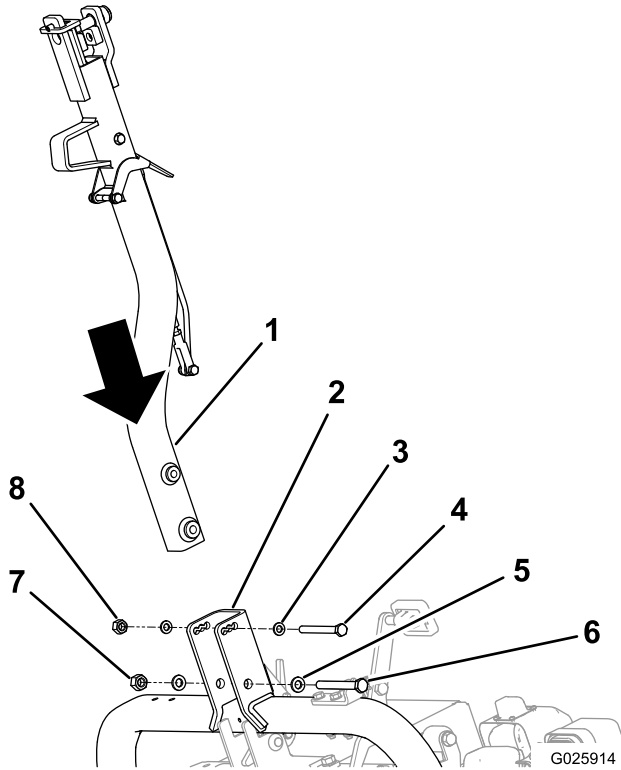
G036890

1. Bolt—M10 x 30 mm (4)
2. Lock washer—M10 (4)
3. Washer—M10 (4)
4. Nut—M10 (4)
5. Lock bracket

2. Secure the hitch to the hitch pivot bracket with the appropriate hardware; refer to Figure 5.
  - In the front holes, use a bolt (M10 x 100 mm), 2 washers (M10), and a locknut (M10).

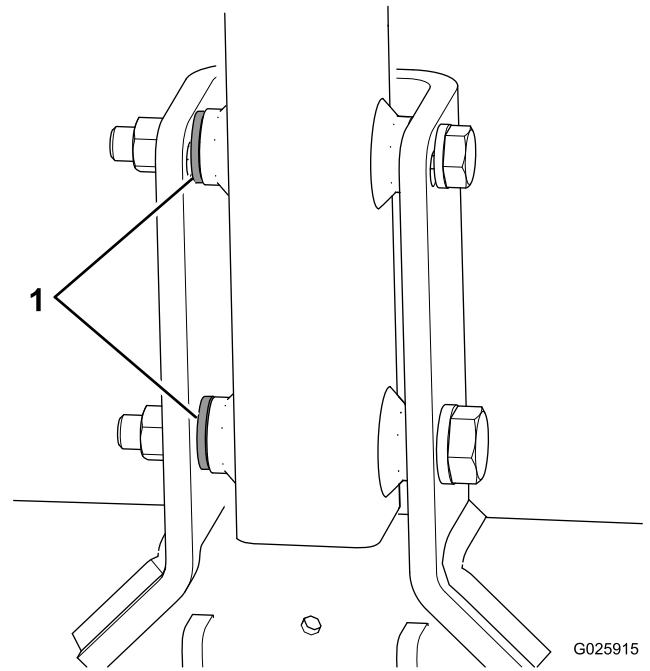
- In the rear holes, use a bolt (M12 x 100 mm), 2 washers (M12), and a locknut (M12).
- If your machine has a third washer included with each bolt, use those washers as spacers between the hitch and the inside of the hitch pivot bracket (Figure 6).

**Note:** Use the holes in the hitch pivot bracket to match the hitch height of the tow-vehicle hitch.



**Figure 5**

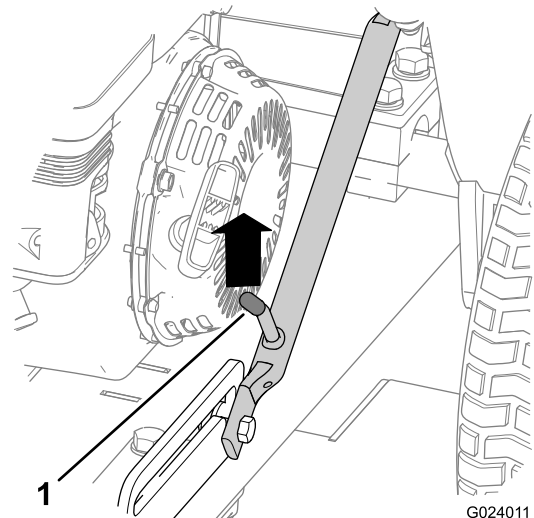
- |                        |                   |
|------------------------|-------------------|
| 1. Hitch               | 5. Washer—M12 (2) |
| 2. Hitch pivot bracket | 6. Bolt (M12)     |
| 3. Washer—M10 (2)      | 7. Locknut (M12)  |
| 4. Bolt (M10)          | 8. Locknut (M10)  |



**Figure 6**

1. Spacer washers

3. Tighten the small bolt to 73 N·m (54 ft-lb) and the large bolt to 126 N·m (93 ft-lb).
4. Push up on the hitch assembly until the latch lever is unlocked from the slide detent (Figure 7).



**Figure 7**

1. Latch lever

5. Pull the hitch down.
6. Step on the hitch pedal until the hitch locks into place (Figure 8).

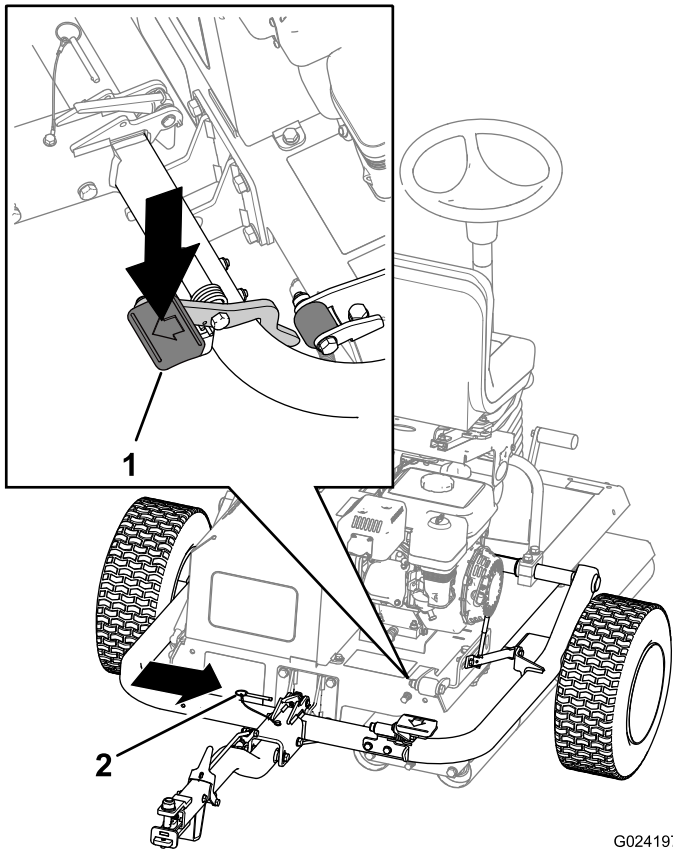


Figure 8

G024197

1. Hitch pedal
2. Locking pin

# 4

## Removing the Machine from the Pallet

No Parts Required

### Procedure

1. Remove the wood blocks at the hitch end of the pallet.

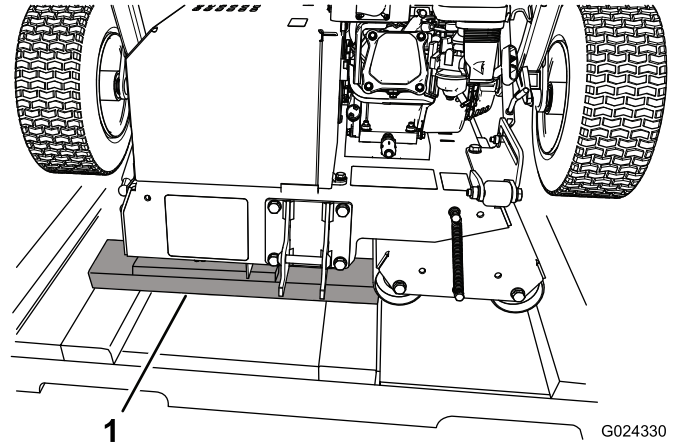


Figure 9

G024330

1. Wood blocks

2. Place some wood boards on the ground at the end of the pallet.

**Note:** The height of the wood boards should be slightly lower than the pallet. You can use pieces removed from the sides and/or ends of the crate.

3. Carefully roll the machine off the pallet, onto the wood boards, and then to the ground.

**Important:** Ensure that the rollers do not contact the pallet as the machine drops to the ground.

4. Remove any remaining packaging.

# 3

## Replacing the Warning Decal

Parts needed for this procedure:

1	Warning decal
---	---------------

### Procedure

On machines requiring CE compliance, replace the warning decal (Part Number 133-1701) with the CE warning decal (Part Number 133-1702).

# 5

## Lubricating the Machine

**Parts needed for this procedure:**

-	Lubricants (not included)
---	---------------------------

### Procedure

Before you operate the machine, lubricate it to ensure proper operating characteristics; refer to [Lubrication \(page 28\)](#). Failure to properly lubricate the machine will result in premature failure of critical parts.

# Product Overview

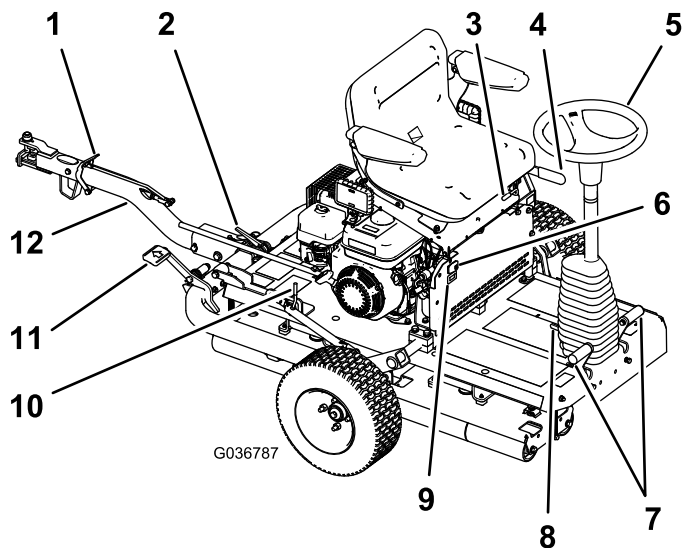


Figure 10

- |                          |                        |
|--------------------------|------------------------|
| 1. Hitch-lock lever      | 7. Motion pedals       |
| 2. Hitch latch           | 8. Tilt-steering pedal |
| 3. Seat-adjustment lever | 9. Hour meter          |
| 4. Parking brake         | 10. Latch lever        |
| 5. Steering wheel        | 11. Hitch pedal        |
| 6. Light switch          | 12. Hitch assembly     |

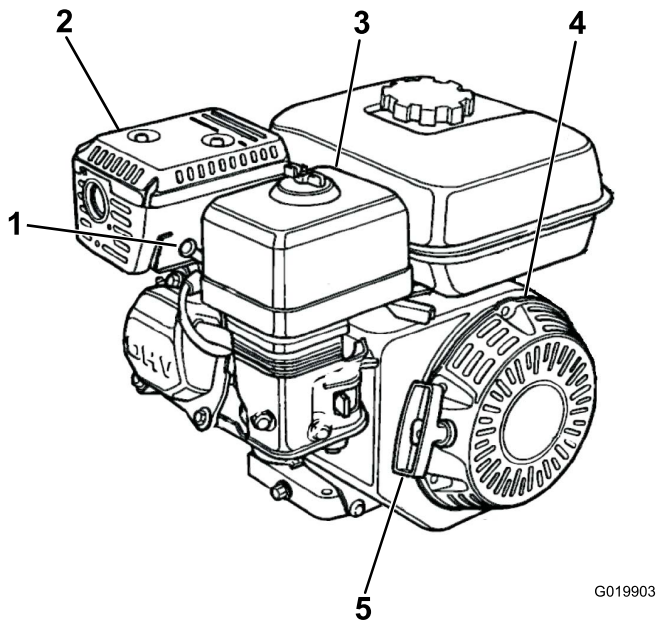


Figure 11

- |                |                        |
|----------------|------------------------|
| 1. Spark plug  | 4. Recoil starter      |
| 2. Muffler     | 5. Recoil-start handle |
| 3. Air cleaner |                        |

# Controls

**Note:** Refer to your engine owner's manual for complete control information.

## Parking Brake

Engage the parking brake to allow the machine to start. To engage the parking brake (Figure 12), pull back on the parking-brake lever. To disengage it, push the lever forward.

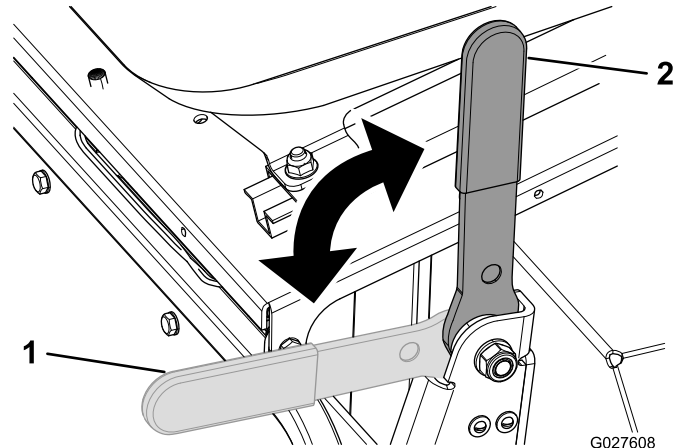


Figure 12

- |                             |                          |
|-----------------------------|--------------------------|
| 1. Parking brake—disengaged | 2. Parking brake—engaged |
|-----------------------------|--------------------------|

## Steering Wheel

Turn the steering wheel (Figure 10) clockwise to turn the machine in the forward direction.

Turn the steering wheel counterclockwise to turn the machine in the rearward direction.

**Note:** As the direction changes at the end of every run, you will need to practice with the machine to become accustomed to the steering.

The steering wheel controls the angle of the smoothing rollers, which in turn steer the machine. The amount the wheel can be turned is limited, so the turning circle of the machine is large.

## Tilt-Steering Pedal

To tilt the steering wheel toward you, press the foot pedal (Figure 10) down, pull the steering tower toward you to the most comfortable position, and release the pedal.

## Motion Pedals

The foot-operated motion pedals (Figure 10), located to either side of the base of the steering wheel, control the motion of the drive roller. The pedals are connected so that they cannot both be pressed down at the same time, you can press only 1 pedal at a time. If you press down the right pedal, the machine moves to the right, and if you press down the left

pedal, the machine moves to the left. The further you press a pedal, the faster your speed in that direction.

**Note:** Come to a full stop before changing the direction of the machine; do not abruptly change the pedal direction. Doing so overstresses the traction drive line, resulting in premature failure of drive-line components. Actuate the pedals slowly and smoothly to avoid potential turf scuffing damage as well as drive-line component damage.

When operating the machine on hills, ensure that the drive roller is on the downhill side for adequate traction. Failure to do so may result in turf damage.

## Hitch Assembly

Use the hitch assembly (Figure 10) to tow the machine and to lower/raise the transport wheels.

## Seat-Adjustment Lever

You can move the seat forward or backward. Rotate the seat-adjustment lever (Figure 10) upward and slide the seat forward or backward, then release the lever.

## Armrest-Adjustment Bolts

You can adjust each armrest by turning the respective adjustment bolt (Figure 13).

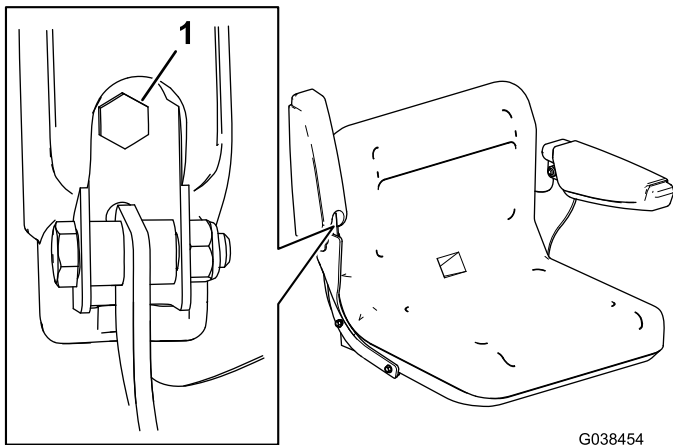


Figure 13

1. Adjustment bolt

## Light Switch

Use the light switch to turn the lights on and off (Figure 10).

## Hour Meter

The hour meter (Figure 10) indicates the total hours of machine operation.

## Engine Controls

### On/Off Switch

The On/Off switch (Figure 14) allows the operator of the machine to start and shut off the engine. This switch is located on the front of the engine. Rotate the On/Off switch to the ON position to start and run the engine. Rotate the On/Off switch to the OFF position to shut off the engine.

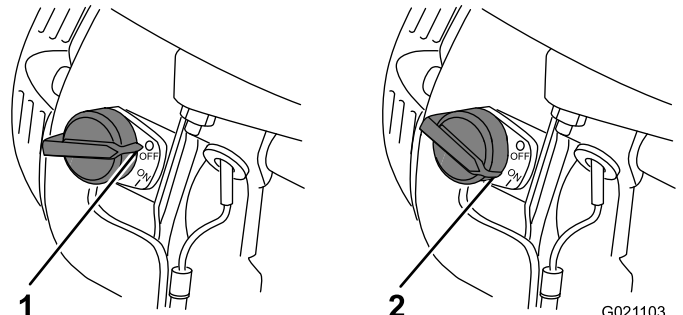


Figure 14

1. OFF position
2. ON position

### Choke Lever

The choke lever (Figure 15) is required when starting a cold engine. Before pulling the recoil-start handle, move the choke lever to the CLOSED position. Once the engine is running, move the choke lever to the OPEN position. Do not use the choke if the engine is already warmed up or if the air temperature is high.

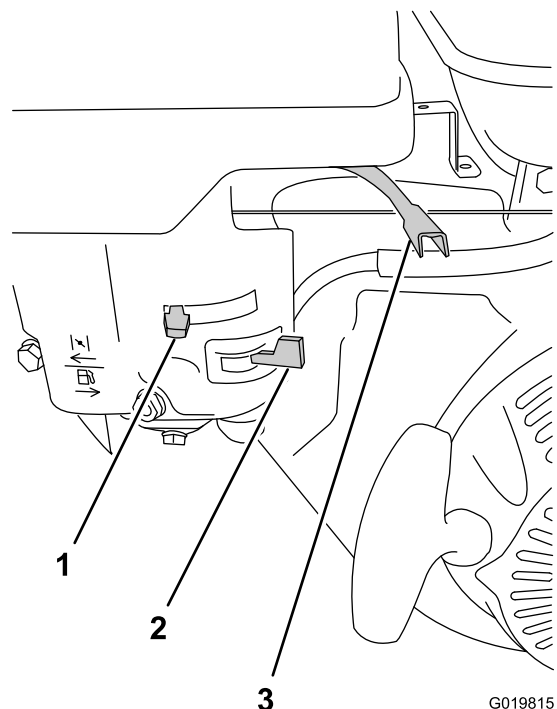


Figure 15

1. Choke lever
2. Fuel-shutoff valve
3. Throttle lever



## Throttle Lever

The throttle lever (Figure 15) is located next to the choke control; it controls the speed of the engine and therefore controls the speed of the machine. For best rolling performance, set this control to the FAST position.

## Fuel-Shutoff Valve

The fuel-shutoff valve (Figure 15) is located underneath the choke lever. Move it to the open position before attempting to start the engine. Once you have finished using the machine and you have turned the engine off, move the fuel-shutoff valve to the CLOSED position.

## Recoil-Start Handle

To start the engine, pull the recoil-start handle (Figure 11) quickly to turn the engine over. The controls on the engine described above must all be set correctly for the engine to start.

## Oil-Level Switch

The oil-level switch is located inside the engine; it prevents the engine from running if the oil level falls below the safe operating limit.

## Specifications

Weight	308 kg (679 lb)
Length	136 cm (53.5 inches)
Width	122 cm (48.0 inches)
Height	107 cm (42.2 inches)
Maximum speed	12.8 km/h (8 mph) @ 3600 rpm

## Attachments/Accessories

A selection of Toro approved attachments and accessories is available for use with the machine to enhance and expand its capabilities. Contact your Authorized Service Dealer or Distributor or go to [www.Toro.com](http://www.Toro.com) for a list of all approved attachments and accessories.

To best protect your investment and maintain optimal performance of your Toro equipment, count on Toro genuine parts. When it comes to reliability, Toro delivers replacement parts designed to the exact engineering specification of our equipment. For peace of mind, insist on Toro genuine parts.

# Operation

**Note:** Determine the left and right sides of the machine from the normal operating position.

## Think Safety First

Carefully read all safety instructions and symbols in the safety section. Knowing this information could help you or bystanders avoid injury.

### **⚠ DANGER**

**Operating on wet grass or steep slopes can cause sliding and loss of control.**

**Wheels dropping over edges can cause rollovers, which may result in serious injury, death, or drowning.**

**There is no rollover protection.**

**To avoid loss of control and possibility of rollover:**

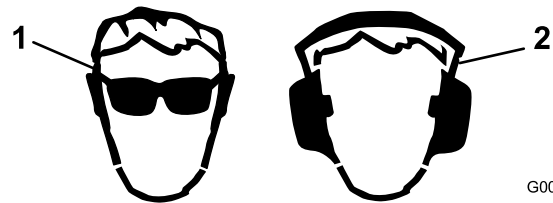
- Do not operate near drop-offs or near water.
- Do not operate on steep slopes.
- Reduce speed and use extreme caution on slopes.
- Avoid rapid speed changes.

### **⚠ CAUTION**

**This machine produces sound levels that can cause hearing loss through extended periods of exposure.**

**Wear hearing protection when operating this machine.**

The use of protective equipment for eyes, ears, hands, feet, and head is recommended.



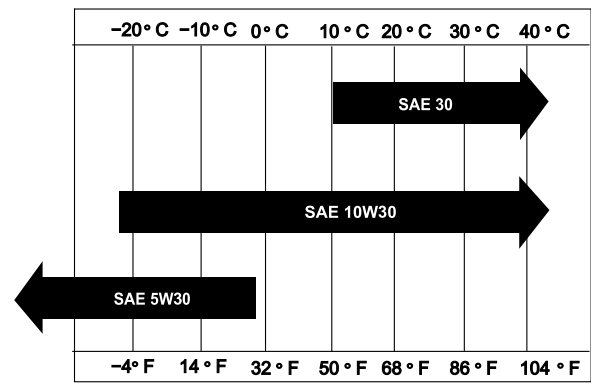
**Figure 16**

1. Wear eye protection.
2. Wear hearing protection.

## Preparing to Use the Machine

1. Clear any debris from above and underneath the machine.
2. Ensure that all scheduled maintenance has been completed.

3. Ensure that all guards and covers are in place and firmly attached.
4. Check the level of the engine oil.
5. Ensure that there is fuel in the fuel tank.
6. Ensure that the parking brake is engaged.
7. Lift the transport wheels clear of the ground and ensure that they are locked in place.



g018667

Figure 17

## Checking the Hydraulic Hoses and Fittings

**Service Interval:** Before each use or daily

Check the hydraulic system for leaks, loose mounting supports, wear, loose fittings, weather deterioration, and chemical deterioration. Make all necessary repairs before operating the machine.

### ⚠ WARNING

Hydraulic fluid escaping under pressure can penetrate skin and cause injury.

- Make sure that all hydraulic fluid hoses and lines are in good condition and all hydraulic connections and fittings are tight before applying pressure to the hydraulic system.
- Keep your body and hands away from pinhole leaks or nozzles that eject high-pressure hydraulic fluid.
- Use cardboard or paper to find hydraulic leaks.
- Safely relieve all pressure in the hydraulic system before performing any work on the hydraulic system.
- Seek immediate medical attention if fluid is injected into skin.

## Checking the Level of the Engine Oil

**Service Interval:** Before each use or daily

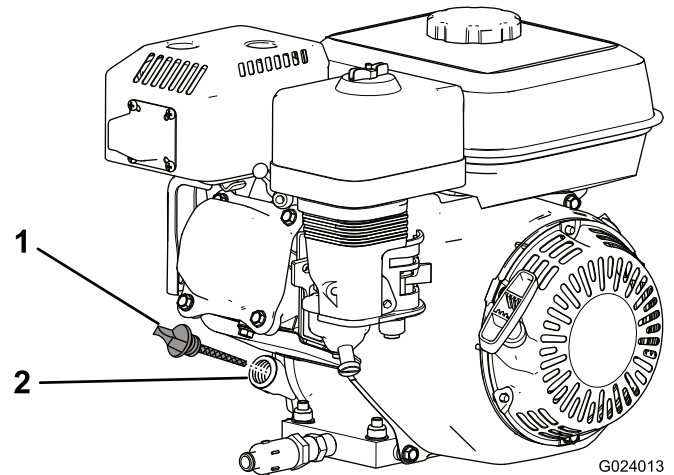
**Note:** The best time to check the engine oil is when the engine is cool before it has been started for the day. If it has already been run, allow the oil to drain back down to the sump for at least 10 minutes before checking it.

**Crankcase Capacity:** 0.60 L (0.63 US qt)

**Type:** API service classification SL, SM, SN, or higher

**Viscosity:** select according to ambient temperature; refer to [Figure 17](#).

1. Position the machine on a flat surface so that the engine is level.
2. Shut off the engine, wait for it to cool, and clean the area around the oil-filler cap/dipstick ([Figure 18](#)).



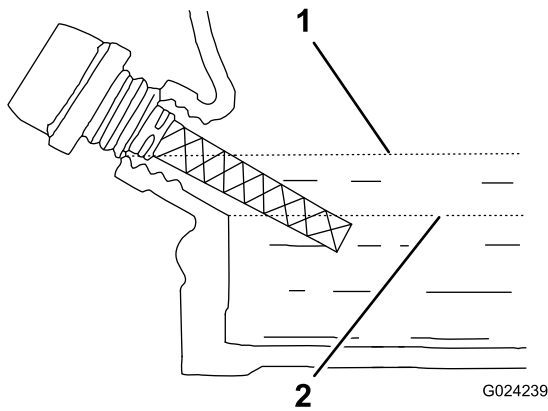
G024013

Figure 18

1. Oil-filler cap/dipstick
2. Filler port

3. Remove the oil-filler cap/dipstick by rotating it counterclockwise.
4. Wipe the oil-filler cap/dipstick clean and insert it into the filler port.
- Note:** Do not screw the dipstick into the port.
5. Remove the dipstick and check the oil level.

**Note:** If the oil level is near or below the lower-limit mark on the dipstick, add only enough oil to raise level to the upper-limit mark (bottom edge of the oil-fill hole); refer to [Figure 19](#). Check the oil level again. Do not overfill the crankcase.



**Figure 19**

1. Upper limit
2. Lower limit

6. Install the oil-filler cap/dipstick and wipe up any spilled oil.

**Note:** Running the engine with the oil level at the lower limit may induce nuisance engine shutdowns in operating situations where the machine is switching direction on an incline or descent.

## Checking the Level of the Hydraulic Fluid

**Service Interval:** Before each use or daily

The hydraulic system is filled at the factory with high-quality hydraulic fluid. **Check the level of the hydraulic fluid before the engine is first started and daily thereafter.**

**Note:** Before working on any part of the hydraulic drive system, shut off the engine to depressurize the system. Before starting the engine after hydraulic system maintenance, and pressurizing the hydraulic lines, check all hoses and connectors for damage and to ensure that they are tight. Replace any damaged hoses and tighten any loose couplings as required.

**Recommended Hydraulic Fluid: Toro Premium All Season Hydraulic Fluid** (Available in 5 US gallon pails or 55 US gallon drums. Refer to the parts catalog or contact your Authorized Toro Distributor for part numbers.)

**Alternative fluids:** If the Toro fluid is not available, other **conventional, petroleum-based** fluids may be used, provided they meet all of the following material properties and industry specifications. Check with your oil supplier to see whether the oil meets these specifications.

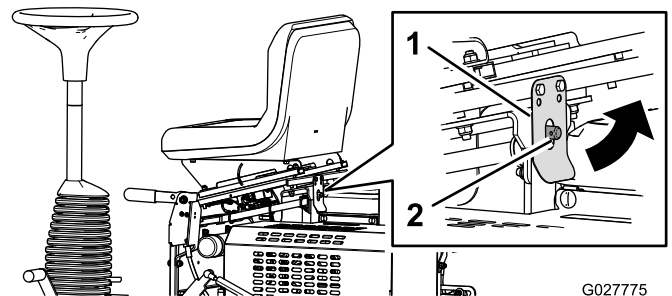
**Note:** Toro will not assume responsibility for damage caused by improper substitutions, so use only products from reputable manufacturers who will stand behind their recommendation.

<b>High Viscosity Index/Low Pour Point Anti-wear Hydraulic Fluid, ISO VG 46 Multigrade</b>	
Material Properties:	
Viscosity, ASTM D445	cSt @ 40°C (104°F) 44 to 48 cSt @ 100°C (212°F) 7.9 to 9.1
Viscosity Index ASTM D2270	140 or higher
Pour Point, ASTM D97	-37°C to -45°C (-34°F to -49°F)
FZG, Fail stage	11 or better
Water content (new fluid):	500 ppm (maximum)
Industry Specifications:	
Vickers I-286-S, Vickers M-2950-S, Denison HF-0, Vickers 35 VQ 25 (Eaton ATS373-C)	

The proper hydraulic fluids must be specified for mobile machinery (as opposed to industrial plant usage), multiweight-type, with ZnDTP or ZDDP anti-wear additive package (not an ashless-type fluid).

**Note:** Many hydraulic fluids are almost colorless, making it difficult to spot leaks. A red dye additive for the hydraulic system fluid is available in 20 ml (2/3 fl oz) bottles. One bottle is sufficient for 15 to 22 L (4 to 6 US gallons) of hydraulic fluid. Order Part No. 44-2500 from your Authorized Toro Distributor.

1. Position the machine on a level surface, shut off the engine, and engage the parking brake.
2. Pull back on the seat latch, and tip the seat forward (Figure 20).

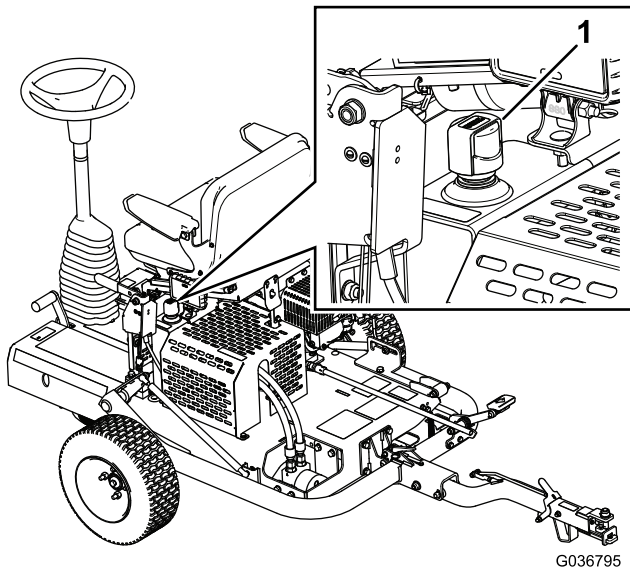


**Figure 20**

1. Seat latch
2. Latch pin

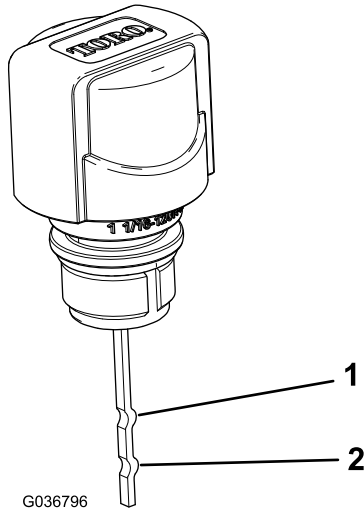
3. Remove the hydraulic-tank cap and check the fluid level on the dipstick (Figure 21).

**Note:** The fluid level should be between the upper limit and the lower limit on the dipstick (Figure 22).



**Figure 21**

1. Hydraulic-tank cap



**Figure 22**

1. Upper limit
2. Lower limit

4. If the fluid level is low, add enough fluid to raise it to the proper level.
5. Install the tank cap.
6. Wipe up any spilled fluid.
7. Lower and latch the seat.

## Checking the Tire Pressure

Make sure that the transport tires are inflated to 103 kPa (15 psi).

## Filling the Fuel Tank

- For best results, use only clean, fresh (less than 30 days old), unleaded gasoline with an octane rating of 87 or higher ((R+M)/2 rating method).
- Ethanol: Gasoline with up to 10% ethanol (gasohol) or 15% MTBE (methyl tertiary butyl ether) by volume is acceptable. Ethanol and MTBE are not the same. Gasoline with 15% ethanol (E15) by volume is not approved for use. **Never use** gasoline that contains more than 10% ethanol by volume, such as E15 (contains 15% ethanol), E20 (contains 20% ethanol), or E85 (contains 85% ethanol). Using unapproved gasoline may cause performance problems and/or engine damage, which may not be covered under warranty.
- **Do not** use gasoline containing methanol.
- **Do not** store fuel either in the fuel tank or fuel containers over the winter unless a fuel stabilizer is used
- **Do not** add oil to gasoline.

### **⚠ WARNING**

Fuel is harmful or fatal if swallowed. Long-term exposure to vapors can cause serious injury and illness.

- Avoid prolonged breathing of vapors.
- Keep face away from nozzle and fuel tank or conditioner opening.
- Keep fuel away from eyes and skin.

## ▲ DANGER

In certain conditions, fuel is extremely flammable and highly explosive. A fire or explosion from fuel can burn you and others and can damage property.

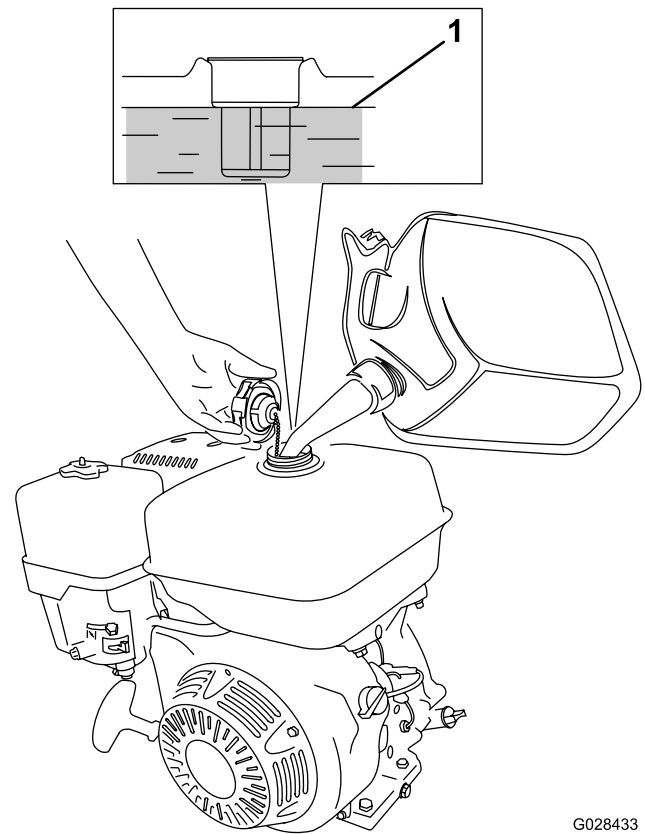
- Fill the fuel tank outdoors, in an open area, when the engine is cold. Wipe up any fuel that spills.
- Do not fill the fuel tank completely full. Add fuel to the fuel tank until the level is 25 mm (1 inch) below the top of the tank. This empty space in the tank allows the fuel to expand.
- Never smoke when handling fuel, and stay away from an open flame or where fuel fumes may be ignited by a spark.
- Store fuel in an approved container and keep it out of the reach of children. Do not buy more than a 30-day supply of fuel.
- Always place fuel containers on the ground away from your vehicle before filling.
- Do not fill fuel containers inside a vehicle or on a truck or trailer bed, because interior carpets or plastic truck-bed liners may insulate the container and slow the loss of any static charge.
- When practical, remove fuel-powered equipment from the truck or trailer and fuel the equipment with the wheels on the ground. If this is not possible, then fuel such equipment on a truck or trailer from a portable container, rather than from a fuel dispenser nozzle.
- If you must use a fuel-dispenser nozzle, keep the nozzle in contact with the rim of the fuel tank or container opening at all times until fueling is complete.

**Fuel-Tank Capacity:** 3.6 L (0.95 US gallons)

1. Clean around the fuel-tank cap and remove the cap from the tank (Figure 23). Using unleaded (87 pump octane minimum) gasoline, fill the fuel tank to approximately 25 mm (1 inch) below the top of the tank to allow for fuel expansion.

**Important:** Do not overfill the tank. Adding fuel in excess of the prescribed level will result in engine failure due to saturation of the vapor recovery system, resulting in engine performance failure. This is not a warrantable failure and will require replacement of the fuel-tank cap.

**Important:** Never use methanol, gasoline containing methanol, gasohol containing more than 10% ethanol, gasoline additives, premium gasoline, or white gas because the fuel system could be damaged. Do not mix oil with gasoline.



**Figure 23**

G028433

1. Maximum fuel level
2. Install the fuel-tank cap and wipe up any spilled fuel.

## Starting and Shutting Off the Engine

**Note:** For illustrations and descriptions of the controls referenced in this section, refer to [Engine Controls \(page 16\)](#).

### Starting the Engine

**Note:** Make sure that the spark-plug wire is connected to the spark plug.

1. Ensure that the parking brake is engaged and that the motion pedals are in the NEUTRAL position.
2. Turn the On/Off switch to the ON position.
3. Turn the fuel-shutoff valve to the OPEN position.
4. Move the choke lever to the ON position when starting a cold engine.

**Note:** The choke may not be required when starting a warm engine.

5. Move the throttle control to the FAST position.
6. Stand at the rear of the machine, pull the recoil-start handle out until positive engagement results; then pull it vigorously to start the engine.

**Important:** Do not pull the recoil rope to the limit or let go of the starter handle when the rope is pulled out, because the rope may break or the recoil assembly may be damaged.

7. When the engine has started, push the choke lever to the OFF position.
8. Move the throttle lever to the FAST position, for best roller performance.

## Shutting Off the Engine

1. After operating the machine, return the motion pedals to the NEUTRAL position and engage the parking brake.
2. Turn the engine speed to idle, and allow it to run for 10 to 20 seconds.
3. Turn the On/Off switch to the OFF position.
4. Turn the fuel-shutoff valve to the CLOSED position.

## Checking the Safety-Interlock System

### ⚠ CAUTION

If the safety-interlock switches are disconnected or damaged, the machine could operate unexpectedly, causing personal injury.

- Do not tamper with the interlock switches.
- Check the operation of the interlock switches daily, and replace any damaged switches before operating the machine.

**Important:** If the safety-interlock system does not operate as described below, have an Authorized Toro Distributor repair it immediately.

1. Engage the parking brake, ensure that the motion pedals are in the NEUTRAL position, and start the engine.
2. Sit on the seat.
3. With the parking brake engaged, gently press a motion pedal down; the engine should shut off after approximately 1 second.
4. With the engine running and the brake disengaged, stand up and verify that the engine shuts off after 1 second.

**Note:** The safety-interlock system is also designed to shut off the engine if the operator rises off the seat while the machine is moving.

## Using the Hitch Lock

### Connecting the Machine to the Tow Vehicle

Push down on the hitch-lock lever while inserting the hitch assembly onto the tow-vehicle hitch. Release the lever when the hitch and the hitch assembly are aligned (Figure 24).

**Important:** Ensure that the lever returns to the Up position and that the hitch and the hitch assembly are engaged.

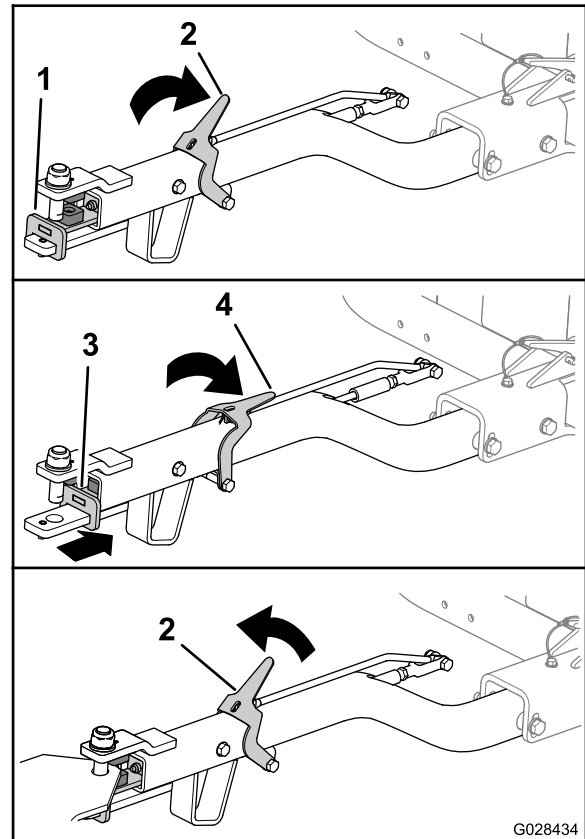


Figure 24

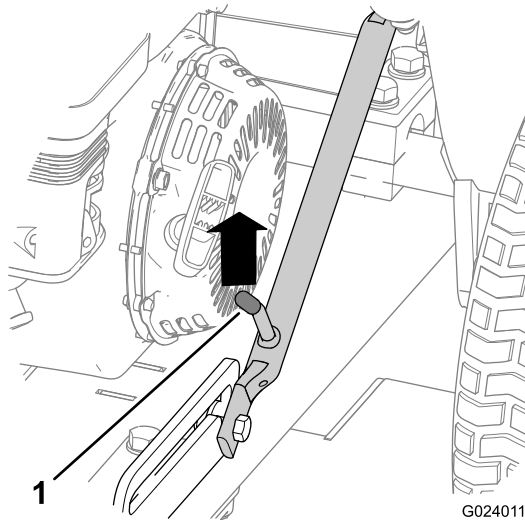
- |                             |                              |
|-----------------------------|------------------------------|
| 1. Hitch assembly (forward) | 3. Hitch assembly (backward) |
| 2. Hitch-lock lever (up)    | 4. Hitch-lock lever (down)   |

### Disconnecting the Machine from the Tow Vehicle

Push down on the hitch-lock lever while removing the hitch assembly from the tow-vehicle hitch (Figure 24). Release the latch when the hitch and the hitch assembly are disengaged.

# Transporting the Machine

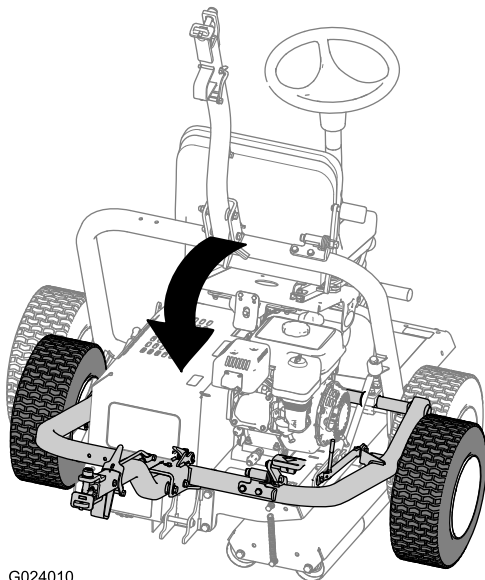
1. Drive the machine to the transport vehicle.
2. Engage the parking brake.
3. Move the throttle lever to the low-speed position, and allow the engine to run for 10 to 20 seconds.
4. Turn the On/Off switch to the OFF position.
5. Turn the fuel-shutoff valve to the CLOSED position.
6. Raise the machine onto the transport wheels as follows:
  - A. Push up on the hitch assembly until the latch lever is unlocked from the slide detent (Figure 25).



**Figure 25**

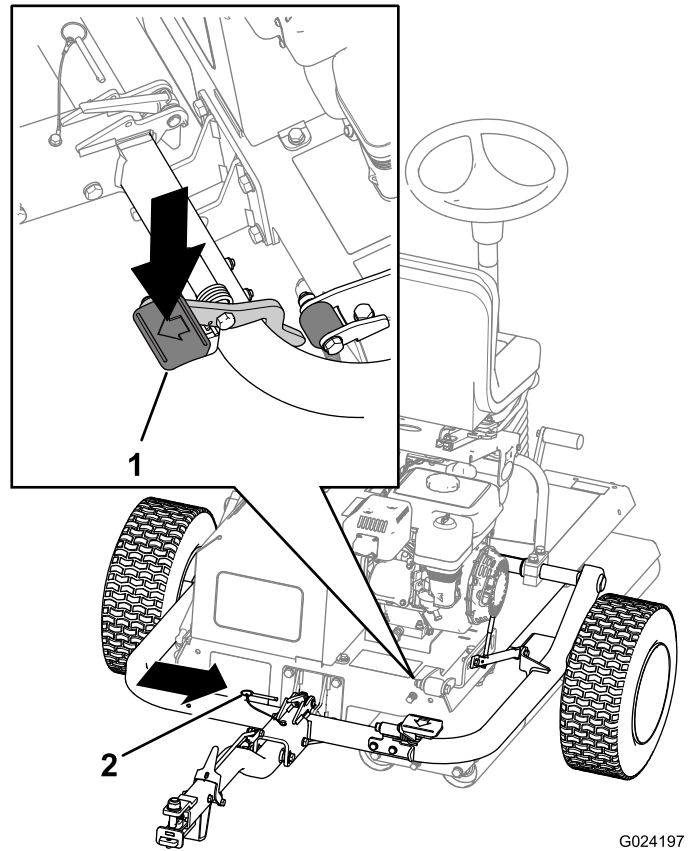
1. Latch lever

- B. Lift the latch lever so that it slides freely, and pull the hitch down.



**Figure 26**

- C. Step on the hitch pedal until the hitch locks into place (Figure 27).



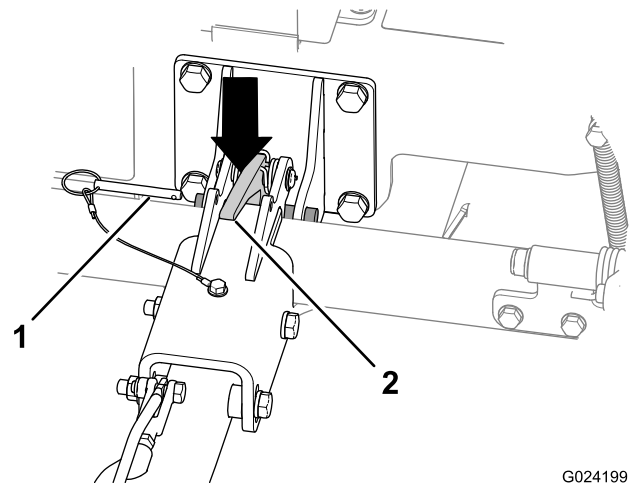
**Figure 27**

1. Hitch pedal
2. Locking pin

- D. Insert the locking pin (Figure 27).

7. Lower the machine onto the rollers as follows:

- A. Remove the locking pin (Figure 28).



**Figure 28**

1. Locking pin
2. Hitch latch

- B. Lift up on the hitch assembly to tip the machine up slightly.
  - C. Push down on the hitch latch to unlatch the hitch (Figure 28).

- D. Raise the hitch (Figure 29) until the latch lever locks in the slide detent (Figure 25).

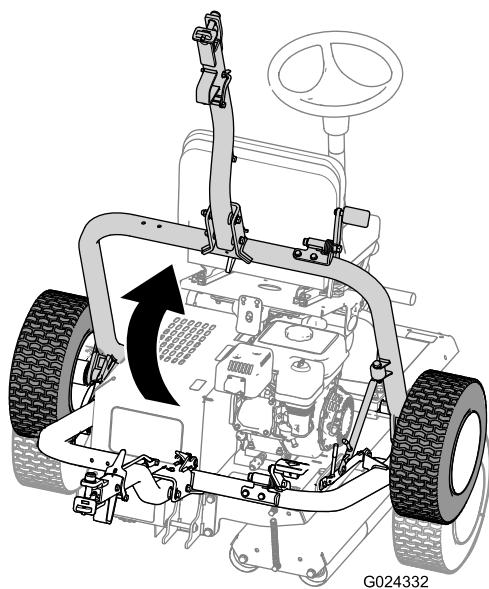


Figure 29

**Note:** As the direction changes at the end of every run, you will need to practice with the machine to become accustomed to the steering.

**Important:** To stop the machine in an emergency, press the other pedal to the NEUTRAL position. As an example, with the right pedal pressed and traveling to the right, press the left pedal to the NEUTRAL position to bring the machine to a stop. This action must be firm but not sudden, as it may cause the machine to tip sideways.

8. Disengage the parking brake.
9. Before dismounting the machine, make sure that it is parked on a level surface.

## Operating Tips

- When operating the machine on hills, ensure that the drive roller is on the downhill side for adequate traction. Failure to do so may result in turf damage.
- For the best rolling effect, periodically remove any buildup that accumulates on the rollers.

---

## Operating the Machine

1. Ensure that the parking brake is engaged.
2. Sit on the operator seat, taking care not to contact the motion pedals as you sit down.
3. Adjust the seat and the steering wheel to a comfortable operating position.
4. Disengage the parking brake.
5. Hold onto the steering wheel, and slowly press either the left or right motion pedal with your corresponding foot, in whichever direction you wish to move.

**Note:** The further you press the pedal, the faster you will travel in that direction.

6. To stop the machine, release the foot pedal.

**Note:** As you become familiar with the machine, you will get the feel for when you should release the foot pedal, which will be prior to where you want to finish the run, as the machine continues to roll for a short time after you release the pedal. As you come to a complete stop, gently press the other foot pedal for your return pass.

**Note:** Do not press the foot pedals too quickly; this will result in possible skidding and scuffing of the turf under the drive roller as well as damage to the drive system. You should always operate the foot pedals in a controlled manner.

7. Turn the steering wheel clockwise to turn the machine in the forward direction.

Turn the steering wheel counterclockwise to turn the machine in the rearward direction.



# Maintenance

## Recommended Maintenance Schedule(s)

Maintenance Service Interval	Maintenance Procedure
After the first 5 hours	<ul style="list-style-type: none"> <li>• Check for any loose nuts, bolts, or fittings and tighten them as required.</li> </ul>
After the first 20 hours	<ul style="list-style-type: none"> <li>• Change the engine oil.</li> <li>• Change the hydraulic fluid and filter.</li> </ul>
Before each use or daily	<ul style="list-style-type: none"> <li>• Check the hydraulic hoses and fittings.</li> <li>• Check the level of the engine oil.</li> <li>• Check the level of the hydraulic fluid.</li> <li>• Check the tire pressure in the transport wheels.</li> <li>• Check the safety-interlock system.</li> <li>• Lubricate the drive-roller bearing (lubricate immediately after washing).</li> <li>• Check the air cleaner.</li> <li>• Ensure that the parking brake prevents the machine from rolling when it is parked.</li> <li>• Check for any loose nuts, bolts, or fittings and tighten them as required.</li> <li>• Check the fuel tank for fuel.</li> </ul>
After each use	<ul style="list-style-type: none"> <li>• Clear any debris on the roller, especially from around the engine.</li> </ul>
Every 50 hours	<ul style="list-style-type: none"> <li>• Clean the air cleaner (more often in dirty or dusty conditions).</li> </ul>
Every 100 hours	<ul style="list-style-type: none"> <li>• Change the engine oil.</li> <li>• Check/adjust the spark plug.</li> <li>• Clean the sediment cup.</li> </ul>
Every 300 hours	<ul style="list-style-type: none"> <li>• Replace the paper element.</li> <li>• Replace the spark plug.</li> <li>• Check and adjust the valve clearance.</li> </ul>
Every 400 hours	<ul style="list-style-type: none"> <li>• Change the hydraulic fluid and filter.</li> </ul>
Before storage	<ul style="list-style-type: none"> <li>• Paint chipped surfaces.</li> </ul>
Yearly	<ul style="list-style-type: none"> <li>• Check over the entire machine, including ensuring that all nuts and bolts are tight.</li> </ul>

**Important:** Refer to your engine owner's manual for additional maintenance procedures.

**Note:** To obtain an electrical schematic or a hydraulic schematic for your machine, visit [www.Toro.com](http://www.Toro.com).

## **▲ WARNING**

If you are not careful with hazardous substances, they can cause serious personal injury.

- Read the labels and instructions for the materials that you use.
- Wear the necessary personal protective safety equipment, and use hazardous substances carefully.

The following fluids are identified as being hazardous:

<b>Substances</b>	<b>Assessed Risk</b>
Gasoline	Low
Lubricating oil	Low
Hydraulic fluid	Low
Grease	Low

- When using any of the above fluids, wear eye protection and gloves, and be careful to prevent spills.
- Avoid contact with skin; wash off spills with soap and water.
- Avoid contact with eyes; wash with running water and seek medical attention if symptoms persist.
- Avoid ingestion; if swallowed seek medical attention.
- Keep clear of high-pressure fluid escaping from pinholes, cracked connections, etc. High-pressure fluid can penetrate the skin. Seek immediate medical advice if any fluid is injected into the skin.
- Always use a piece of cardboard or paper when searching for leaks.
- Waste products must not be allowed to contaminate surface water, drains, or sewer systems.

**Important: Prevent environmental damage. Dispose of hazardous substances correctly. When disposing of hazardous waste products, take them to an authorized disposal site.**

# Notation for Areas of Concern

Inspection performed by:		
Item	Date	Information
1		
2		
3		
4		
5		
6		
7		
8		

# Daily Maintenance Checklist

Duplicate this page for routine use.

Maintenance Check Item	For the week of:						
	Mon.	Tues.	Wed.	Thurs.	Fri.	Sat.	Sun.
Check that the pivot joints operate freely.							
Check the fuel level.							
Check the level of the engine oil.							
Check the level of the hydraulic fluid.							
Check the air filter.							
Check the safety interlock system.							
Clean the engine cooling fins.							
Check unusual engine noises.							
Check the hoses for damage.							
Check for fluid leaks.							
Lubricate all grease fittings.							
Check the tire pressure.							
Touch up damaged paint.							

# Premaintenance Procedures

The performance of certain maintenance, adjustments, or repair operations will be determined by the owner's facilities.

Do not tilt the machine unless it is necessary. If you tilt the machine, there is a risk that engine oil can enter the cylinder head of the engine, and hydraulic fluid can leak from the cap located on top of the tank. These leaks may result in expensive repairs to the machine. For the purpose of under-deck servicing, lift the machine with a hoist or a small crane.

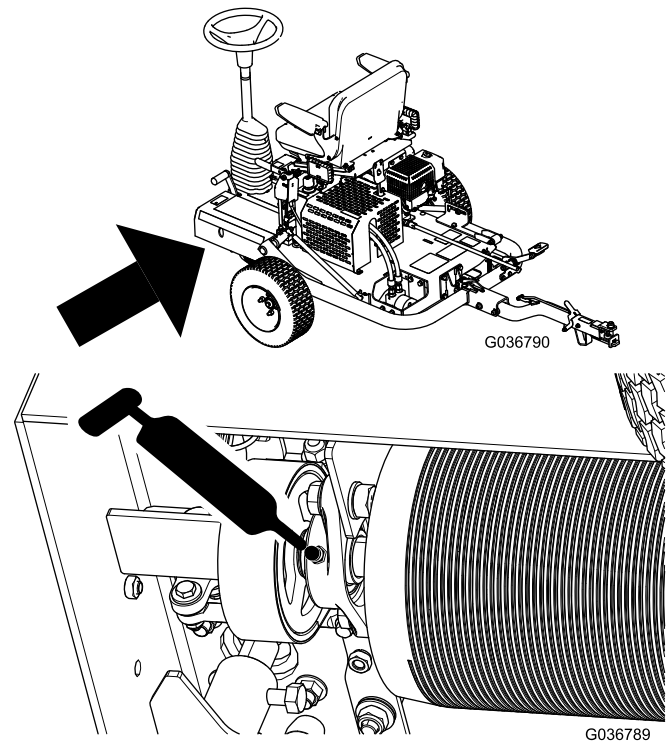
# Lubrication

## Lubricating the Drive-Roller Bearing

**Service Interval:** Before each use or daily (lubricate immediately after washing).

**Grease Type:** No. 2 lithium grease

1. Wipe the area clean so that foreign matter cannot be forced into the bearing.
2. Pump grease into the grease fitting as shown in [Figure 30](#).



**Figure 30**

3. Wipe up any excess grease.

**Important:** After greasing, run the machine off the turf somewhere briefly to disperse any excess lubricant, to avoid damaging the turf.

# Engine Maintenance

## Changing the Engine Oil

**Service Interval:** After the first 20 hours—Change the engine oil.

Every 100 hours—Change the engine oil.

1. Start and run the engine for a few minutes to warm the engine oil; then shut off the engine.
2. Raise the machine onto the transport wheels.
3. Tilt the machine so that the end of the machine with the engine is closer to the ground, and support the other end to hold it in this position.
4. Install the drain hose onto the drain valve (Figure 31).
5. Place the other end of the hose into a suitable container for oil (Figure 31).

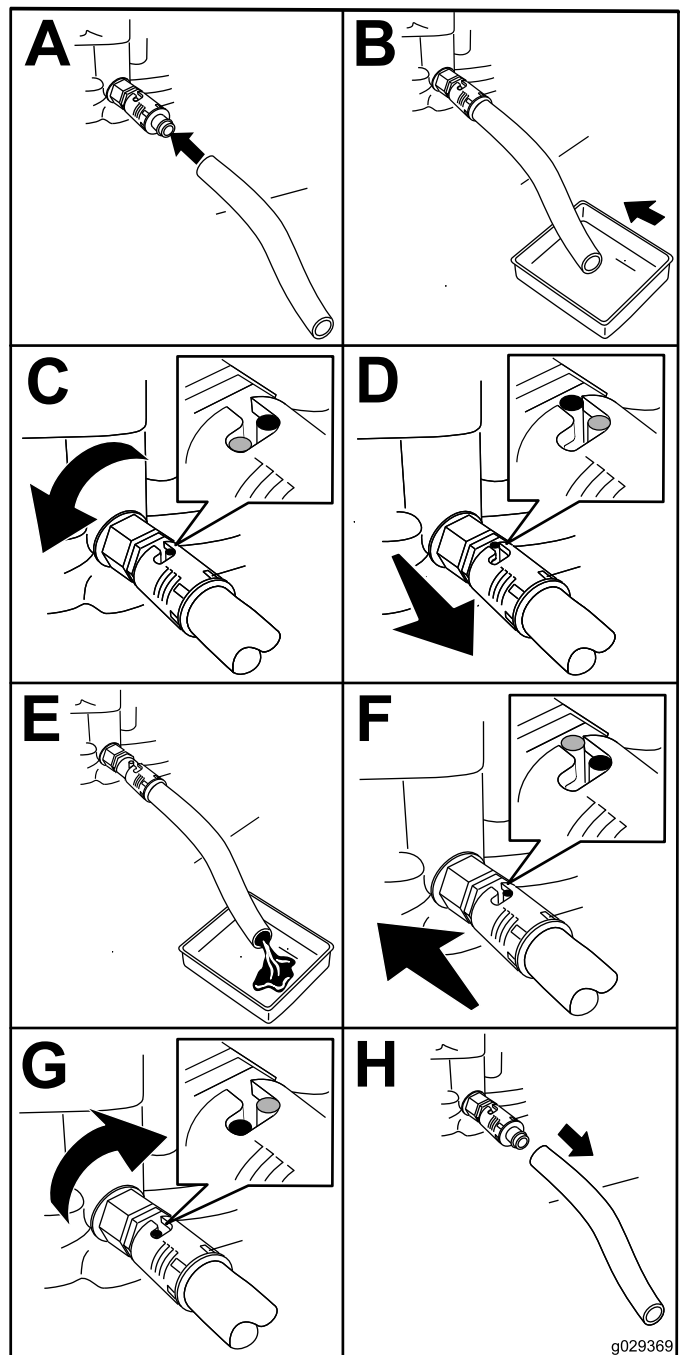


Figure 31

6. Turn the oil drain valve 1/4 turn counterclockwise to start draining the oil (Figure 31).
7. When all the oil is drained, turn the oil drain valve 1/4 turn clockwise to close the valve (Figure 31).
8. Remove the drain hose and wipe any oil that may have spilled.
9. Fill the crankcase with the specified oil; refer to [Checking the Level of the Engine Oil](#) (page 18).
10. Dispose of the oil properly. Recycle it according to local codes.

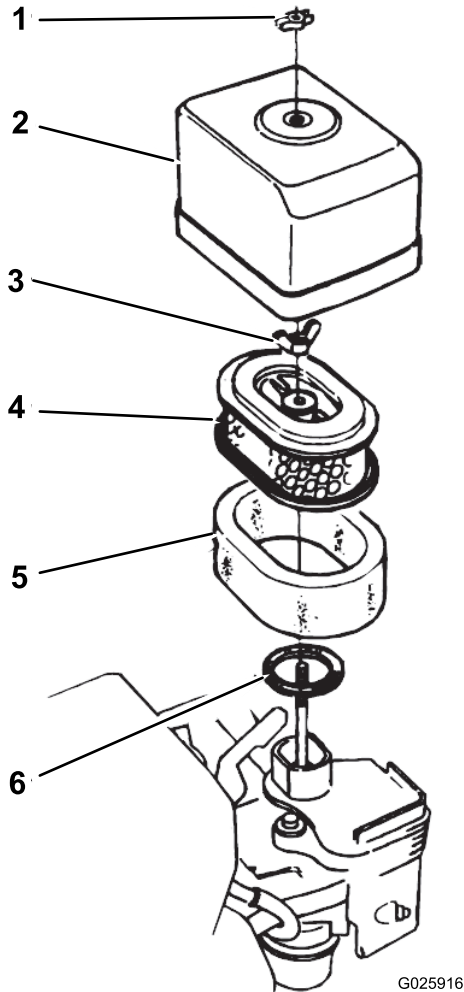
# Servicing the Air Cleaner

**Service Interval:** Before each use or daily—Check the air cleaner.

Every 50 hours—Clean the air cleaner (more often in dirty or dusty conditions).

Every 300 hours—Replace the paper element.

1. Disconnect the spark-plug wire from the spark plug.
2. Remove the wing nut securing the air-cleaner cover to the air cleaner, and remove the cover (Figure 32).



**Figure 32**

G025916

- |                      |                  |
|----------------------|------------------|
| 1. Wing nut          | 4. Paper element |
| 2. Air-cleaner cover | 5. Foam element  |
| 3. Wing nut          | 6. Gasket        |

3. Clean the cover thoroughly.
4. Remove the wing nut from the air filter, and remove the filter (Figure 32).
5. Remove the foam filter from the paper filter (Figure 32).
6. Inspect both air-filter elements, and replace them if they are damaged.

**Note:** Always replace the paper air-filter element at the scheduled interval.

7. Clean the foam element as follows:
  - A. Wash the foam element in a solution of liquid soap and warm water.

**Note:** Squeeze the element to remove the dirt, but do not twist it, because the foam may tear.
  - B. Dry it by wrapping it in a clean rag.

**Note:** Squeeze the rag and foam element to dry the element, but do not twist it, because the foam may tear.
  - C. Saturate the element with clean engine oil.

**Note:** Squeeze the element to remove excess oil and to distribute the oil thoroughly. The foam element should be damp with oil.
8. Clean the paper element by tapping the filter element several times on a hard surface to remove the dirt.

**Note:** Never brush dirt off the element or use compressed air to remove dirt; brushing forces dirt into the fibers, and compressed air will damage the paper filter.
9. Install the foam element, the paper element, and the air-cleaner cover.

**Important:** Do not operate the engine without the air-cleaner elements, because extreme engine wear and damage will likely result.

# Servicing the Spark Plug

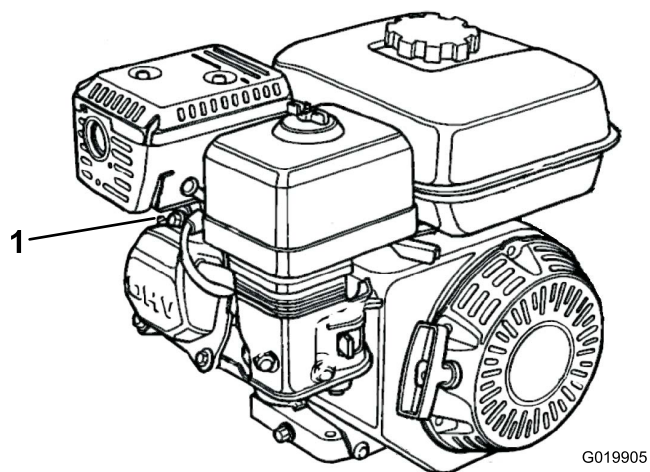
**Service Interval:** Every 100 hours—Check/adjust the spark plug.

Every 300 hours—Replace the spark plug.

**Type:** NGK BPR6ES spark plug or equivalent

**Air Gap:** 0.70 to 0.80 mm (0.028 to 0.031 inch); refer to Figure 34

1. Disconnect the spark-plug wire from the spark plug (Figure 33).



G019905

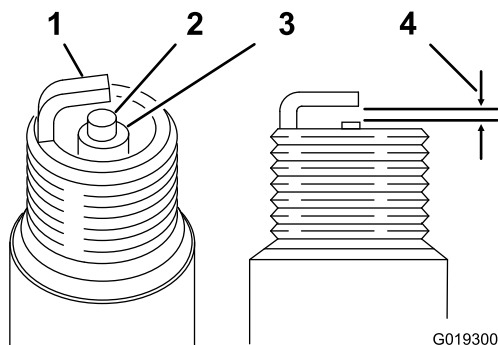
**Figure 33**

1. Spark-plug wire

2. Clean around the spark plug, and remove the plug from the cylinder head.

**Important:** Replace a cracked, fouled, or dirty spark plug. Do not sand blast, scrape, or clean the electrodes, because engine damage could result from grit entering the cylinder.

3. Set the air gap to 0.70 to 0.80 mm (0.028 to 0.031 inch) (Figure 34).



G019300

**Figure 34**

- |                     |  |
|---------------------|--|
| 1. Side electrode   | 3. Insulator                             |
| 2. Center electrode | 4. 0.70 to 0.80 mm (0.028 to 0.031 inch) |

4. Install the correctly gapped spark plug carefully by hand, to avoid cross-threading.
5. After the spark plug is seated, tighten it with a spark-plug wrench to compress the sealing washer.
  - When installing a new spark plug, tighten it 1/2 turn after the spark plug seats, to compress the washer.
  - When installing the original spark plug, tighten it 1/8 to 1/4 turn after the spark plug seats, to compress the washer.

**Note:** A loose spark plug can overheat and damage the engine. Overtightening the spark plug can damage the threads in the cylinder head.

6. Connect the spark-plug wire to the spark plug.

## Checking and Adjusting the Valve Clearance

**Service Interval:** Every 300 hours

**Important:** Refer to your engine owner's manual.

# Fuel System Maintenance

## Cleaning the Sediment Cup

Service Interval: Every 100 hours—Clean the sediment cup.

### **▲ DANGER**

In certain conditions, fuel is extremely flammable and highly explosive. A fire or explosion from fuel can burn you and others and can damage property.

- Fill the fuel tank outdoors, in an open area, when the engine is cold. Wipe up any fuel that spills.
- Do not fill the fuel tank completely full. Add fuel to the fuel tank until the level is 25 mm (1 inch) below the top of the tank. This empty space in the tank allows the fuel to expand.
- Never smoke when handling fuel, and stay away from an open flame or where fuel fumes may be ignited by a spark.
- Store fuel in an approved container and keep it out of the reach of children. Do not buy more than a 30-day supply of fuel.
- Always place fuel containers on the ground away from your vehicle before filling.
- Do not fill fuel containers inside a vehicle or on a truck or trailer bed, because interior carpets or plastic truck-bed liners may insulate the container and slow the loss of any static charge.
- When practical, remove fuel-powered equipment from the truck or trailer and fuel the equipment with the wheels on the ground. If this is not possible, then fuel such equipment on a truck or trailer from a portable container rather than from a fuel-dispenser nozzle.
- If you must use a fuel-dispenser nozzle, keep the nozzle in contact with the rim of the fuel tank or container opening at all times until fueling is complete.

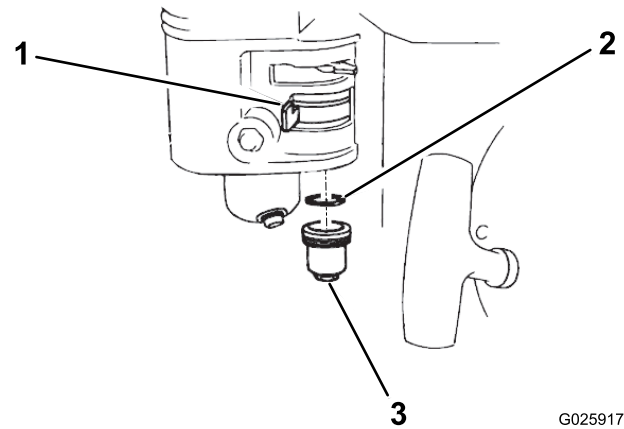


Figure 35

G025917

1. Shutoff valve
2. O-ring
3. Sediment cup

2. Wash the sediment cup and O-ring in nonflammable solvent, and dry them thoroughly.
3. Place the O-ring in the fuel valve, and install the sediment cup. Tighten the sediment cup securely.

1. Move the fuel valve to the OFF position, then remove the fuel sediment cup and O-ring (Figure 35).



# Drive System Maintenance

## Changing the Hydraulic Fluid and Filter

**Service Interval:** After the first 20 hours—Change the hydraulic fluid and filter.

Every 400 hours—Change the hydraulic fluid and filter.

**Important:** Use only Toro Premium All Season Hydraulic Fluid (ISO VG 46) or an equivalent fluid. Other fluids could cause system damage.

1. Place a drain pan under the hydraulic-tank drain plug (Figure 36).

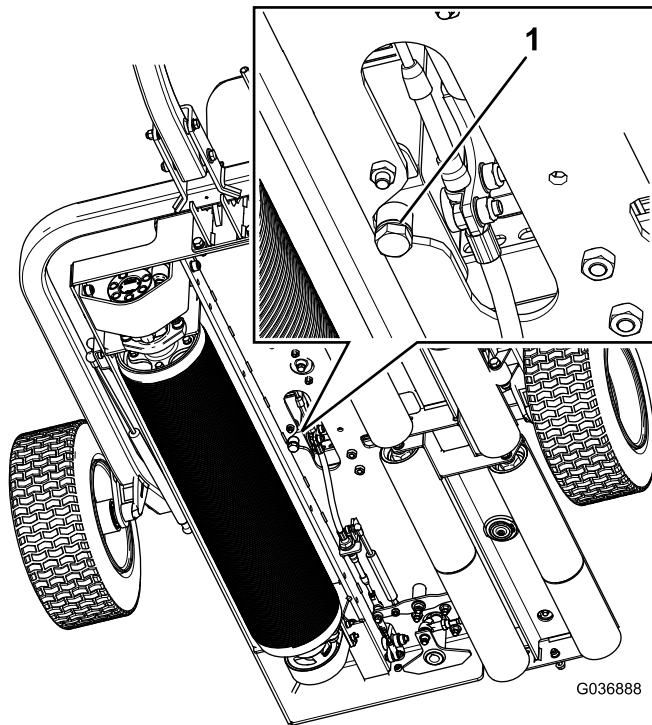


Figure 36

1. Drain plug

2. Remove the drain plug from the bottom of the tank (Figure 36).
3. When the fluid has drained completely, install the drain plug.
4. Clean the area around the filter mounting area.
5. Place a drain pan under the filter and remove the filter (Figure 37).

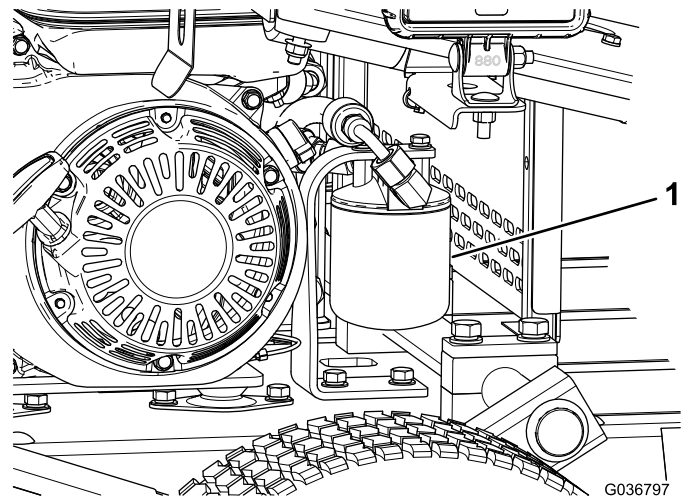


Figure 37

1. Hydraulic filter

6. Fill the replacement filter with the appropriate hydraulic fluid.
7. Lubricate the sealing gasket, install the filter by hand until the gasket contacts the filter head, then tighten it 3/4 turn further.  
**Note:** The filter should now be sealed.
8. Remove the hydraulic-tank cap (Figure 21).
9. Fill the tank with the proper fluid; refer to [Checking the Level of the Hydraulic Fluid](#) (page 19).
10. Install the tank cap.
11. Wipe up any spilled fluid.
12. Start the machine and run it at low idle for 3 to 5 minutes to circulate the fluid and remove any air trapped in the system.
13. Shut off the engine, check the level of the hydraulic fluid, and add fluid if necessary.
14. Lower and latch the seat.
15. Dispose of the fluid and the filter according to local codes.

# Brake Maintenance

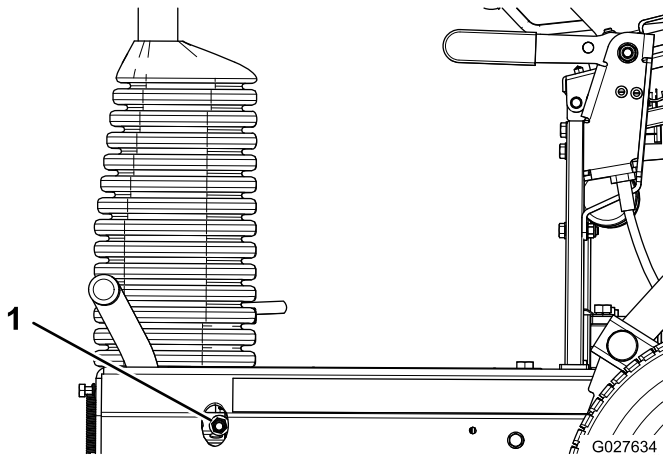
## Checking and Adjusting the Parking Brake

**Service Interval:** Before each use or daily

Ensure that the parking brake prevents the machine from rolling when it is parked.

Adjust the parking brake as follows:

- To increase the brake force, tighten the brake locknut (Figure 38).
- To decrease the brake force, loosen the brake locknut (Figure 38).



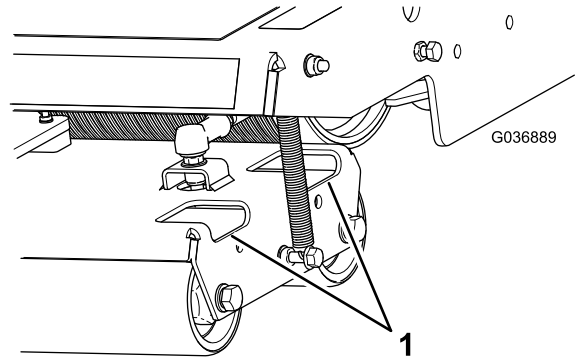
**Figure 38**

1. Brake locknut

**Note:** Ensure that the brake fully disengages when the brake handle is in the disengaged position.

# Cleaning

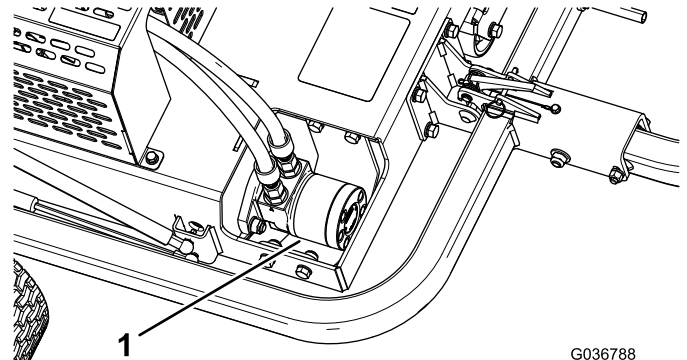
Clean off the rollers as needed by spraying water through the holes in the roller housings (Figure 39).



**Figure 39**

1. Access holes

Ensure that the area around the hydraulic motor is clean by removing any dirt and debris (Figure 40).



**Figure 40**

1. Hydraulic motor

# Storage

1. Remove grass clippings, dirt, and grime from the external parts of the entire machine, especially the rollers and the engine. Clean dirt and chaff from the outside of the cylinder-head fins and the blower housing on the engine.

**Important:** You can wash the machine with mild detergent and water. Do not pressure wash the machine. Avoid excessive use of water, especially near the engine.

2. For long-term storage (more than 90 days) add stabilizer/conditioner additive to fuel in the tank.
  - A. Run the engine to distribute the conditioned fuel through the fuel system (5 minutes).
  - B. Either shut off the engine, allow it to cool, and drain the fuel tank, or operate the engine until it shuts off.
  - C. Start the engine and run it until it shuts off. Repeat the procedure with the choke on until the engine does not start again.
  - D. Dispose of fuel properly. Recycle it according to local codes.
3. Check and tighten all bolts, nuts, and screws. Repair or replace any part that is worn or damaged.
4. Paint all scratched or bare metal surfaces. Paint is available from your Authorized Service Distributor.
5. Store the machine in a clean, dry garage or storage area. Cover the machine to protect it and keep it clean.

**Notes:**

**Notes:**

**Notes:**

## **European Privacy Notice**

### **The Information Toro Collects**

Toro Warranty Company (Toro) respects your privacy. In order to process your warranty claim and contact you in the event of a product recall, we ask you to share certain personal information with us, either directly or through your local Toro company or dealer.

The Toro warranty system is hosted on servers located within the United States where privacy law may not provide the same protection as applies in your country.

**BY SHARING YOUR PERSONAL INFORMATION WITH US, YOU ARE CONSENTING TO THE PROCESSING OF YOUR PERSONAL INFORMATION AS DESCRIBED IN THIS PRIVACY NOTICE.**

### **The Way Toro Uses Information**

Toro may use your personal information to process warranty claims, to contact you in the event of a product recall and for any other purpose which we tell you about. Toro may share your information with Toro's affiliates, dealers or other business partners in connection with any of these activities. We will not sell your personal information to any other company. We reserve the right to disclose personal information in order to comply with applicable laws and with requests by the appropriate authorities, to operate our systems properly or for our own protection or that of other users.

### **Retention of your Personal Information**

We will keep your personal information as long as we need it for the purposes for which it was originally collected or for other legitimate purposes (such as regulatory compliance), or as required by applicable law.

### **Toro's Commitment to Security of Your Personal Information**

We take reasonable precautions in order to protect the security of your personal information. We also take steps to maintain the accuracy and current status of personal information.

### **Access and Correction of your Personal Information**

If you would like to review or correct your personal information, please contact us by email at [legal@toro.com](mailto:legal@toro.com).

## **Australian Consumer Law**

Australian customers will find details relating to the Australian Consumer Law either inside the box or at your local Toro Dealer.



# The Toro Total Coverage Guarantee

## A Limited Warranty

### Conditions and Products Covered

The Toro® Company and its affiliate, Toro Warranty Company, pursuant to an agreement between them, jointly warrant your Toro Commercial product ("Product") to be free from defects in materials or workmanship for two years or 1500 operational hours\*, whichever occurs first. This warranty is applicable to all products with the exception of Aerators (refer to separate warranty statements for these products). Where a warrantable condition exists, we will repair the Product at no cost to you including diagnostics, labor, parts, and transportation. This warranty begins on the date the Product is delivered to the original retail purchaser.

\* Product equipped with an hour meter.

### Instructions for Obtaining Warranty Service

You are responsible for notifying the Commercial Products Distributor or Authorized Commercial Products Dealer from whom you purchased the Product as soon as you believe a warrantable condition exists. If you need help locating a Commercial Products Distributor or Authorized Dealer, or if you have questions regarding your warranty rights or responsibilities, you may contact us at:

Commercial Products Service Department  
Toro Warranty Company  
8111 Lyndale Avenue South  
Bloomington, MN 55420-1196  
E-mail: commercial.warranty@toro.com

### Owner Responsibilities

As the Product owner, you are responsible for required maintenance and adjustments stated in your Operator's Manual. Failure to perform required maintenance and adjustments can be grounds for disallowing a warranty claim.

### Items and Conditions Not Covered

Not all product failures or malfunctions that occur during the warranty period are defects in materials or workmanship. This warranty does not cover the following:

- Product failures which result from the use of non-Toro replacement parts, or from installation and use of add-on, or modified non-Toro branded accessories and products. A separate warranty may be provided by the manufacturer of these items.
- Product failures which result from failure to perform recommended maintenance and/or adjustments. Failure to properly maintain your Toro product per the Recommended Maintenance listed in the *Operator's Manual* can result in claims for warranty being denied.
- Product failures which result from operating the Product in an abusive, negligent or reckless manner.
- Parts subject to consumption through use unless found to be defective. Examples of parts which are consumed, or used up, during normal Product operation include, but are not limited to, brakes pads and linings, clutch linings, blades, reels, bed knives, tines, spark plugs, castor wheels, tires, filters, belts, and certain sprayer components such as diaphragms, nozzles, and check valves, etc.
- Failures caused by outside influence. Items considered to be outside influence include, but are not limited to, weather, storage practices,

contamination, use of unapproved coolants, lubricants, additives, fertilizers, water, or chemicals, etc.

- Normal noise, vibration, wear and tear, and deterioration.
- Normal "wear and tear" includes, but is not limited to, damage to seats due to wear or abrasion, worn painted surfaces, scratched decals or windows, etc.

### Parts

Parts scheduled for replacement as required maintenance are warranted for the period of time up to the scheduled replacement time for that part. Parts replaced under this warranty are covered for the duration of the original product warranty and become the property of Toro. Toro will make the final decision whether to repair any existing part or assembly or replace it. Toro may use remanufactured parts for warranty repairs.

### Note Regarding Deep Cycle Battery Warranty:

Deep cycle batteries have a specified total number of kilowatt-hours they can deliver during their lifetime. Operating, recharging, and maintenance techniques can extend or reduce total battery life. As the batteries in this product are consumed, the amount of useful work between charging intervals will slowly decrease until the battery is completely worn out. Replacement of worn out batteries, due to normal consumption, is the responsibility of the product owner. Battery replacement may be required during the normal product warranty period at owner's expense.

### Maintenance is at Owner's Expense

Engine tune-up, lubrication cleaning and polishing, replacement of Items and Conditions Not Covered filters, coolant, and completing Recommended Maintenance are some of the normal services Toro products require that are at the owner's expense.

### General Conditions

Repair by an Authorized Toro Distributor or Dealer is your sole remedy under this warranty.

**Neither The Toro Company nor Toro Warranty Company is liable for indirect, incidental or consequential damages in connection with the use of the Toro Products covered by this warranty, including any cost or expense of providing substitute equipment or service during reasonable periods of malfunction or non-use pending completion of repairs under this warranty. Except for the Emissions warranty referenced below, if applicable, there is no other express warranty.**

All implied warranties of merchantability and fitness for use are limited to the duration of this express warranty. Some states do not allow exclusions of incidental or consequential damages, or limitations on how long an implied warranty lasts, so the above exclusions and limitations may not apply to you.

This warranty gives you specific legal rights, and you may also have other rights which vary from state to state.

### Countries Other than the United States or Canada

Customers should contact their Toro Distributor (Dealer) to obtain guarantee policies for your country, province, or state. If for any reason you are dissatisfied with your Distributor's service or have difficulty obtaining guarantee information, contact the Toro importer. If all other remedies fail, you may contact us at Toro Warranty Company.