



48in, 52in, or 60in Recycler® Kit

TITAN® HD 1500, 2000, or 2500 Series Riding Mower

Model No. 126-8701

Model No. 126-8702

Model No. 126-8703

Model No. 133-2166

Model No. 133-2167

Model No. 133-2168

Installation Instructions

⚠ WARNING

CALIFORNIA Proposition 65 Warning

This product contains a chemical or chemicals known to the State of California to cause cancer, birth defects, or reproductive harm.

Safety

Using the Side-Discharge Mode or Mulching Grass

⚠ WARNING

Without the grass deflector, discharge cover, or complete grass catcher assembly mounted in place, you and others are exposed to blade contact and thrown debris. Contact with rotating mower blade(s) and thrown debris will cause injury or death.

- Never remove the grass deflector from the mower because the grass deflector routes material down toward the turf. If the grass deflector is ever damaged, replace it immediately.
- Never put your hands or feet under the mower.
- Never try to clear the discharge area or mower blades unless you disengage the power-take-off (PTO) lever and turn the ignition key to off. Also remove the key and pull the wire off the spark plug(s).



Installation

Loose Parts

Use the chart below to verify that all parts have been shipped.

Procedure	Description	Qty.	Use
1	No parts required	–	Prepare the machine.
2	No parts required	–	Remove the existing blades.
3	No parts required	–	Remove the existing baffle.
4	Discharge plate Carriage bolt (5/16 x 7/8 inch) Flange nut (5/16 inch) Flange nut (3/8 inch) Carriage bolt (3/8 x 1 inch)	1 1 1 2 2	Install the discharge plate.
5	Left baffle Center baffle Right baffle Flange nut (3/8 inch) Carriage bolt (3/8 x 1 inch)	1 1 1 9 9	Install the baffles for 48-inch and 52-inch mower decks.
6	Left baffle Center baffle Right baffle Flange nut (3/8 inch) Carriage bolt (3/8 x 1 inch)	1 1 1 9 9	Install the baffles for 60-inch mower decks.
7	Recycler blades	3	Install the new blades.
8	No parts required	–	Tighten all fasteners.

1

Preparing the Machine

No Parts Required

Procedure

1. Park the machine on a level surface.
2. Move the motion-control levers to the NEUTRAL-LOCK position.
3. Set the parking brake.
4. Shut off the engine and remove the key.
5. Thoroughly clean the mower deck. Remove all debris to ensure that the baffles will fit properly.
6. Repair all bent or damaged areas of the mower deck and replace any missing parts.

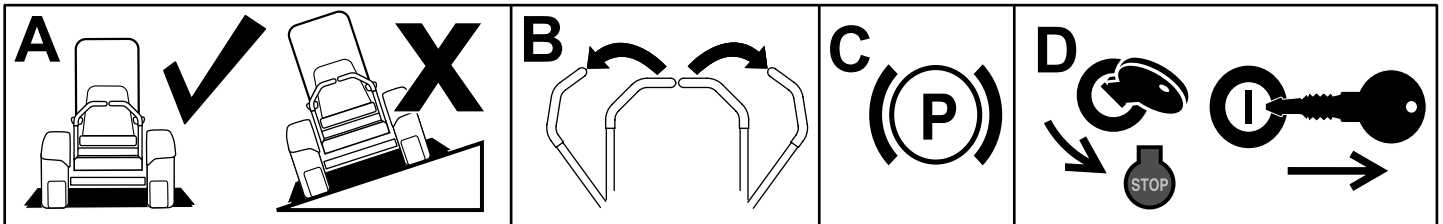


Figure 1

g037289

2

Removing the Existing Blades

No Parts Required

Procedure

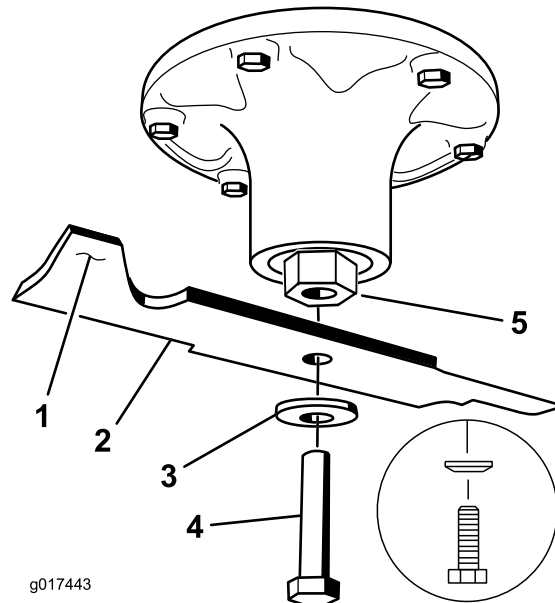
1. To hold the spindle shaft, use an open-end wrench (1-1/2 inches) on the spindle-shaft end.
2. Remove the blade bolt, curved washer, and blade from the spindle shaft (Figure 2).

Note: Save the blades for use when in side-discharging mode. Use the blade bolt and washer for installing the recycler blades.

⚠ WARNING

The blades are sharp. Contact with a sharp blade can cause serious personal injury.

Wear gloves or wrap the sharp edges of the blade with a rag.



g017443

Figure 2

- | | |
|-----------------------|--------------------------------------|
| 1. Sail area of blade | 4. Blade bolt |
| 2. Blade | 5. Spindle-shaft end (hex end shown) |
| 3. Curved washer | |

3

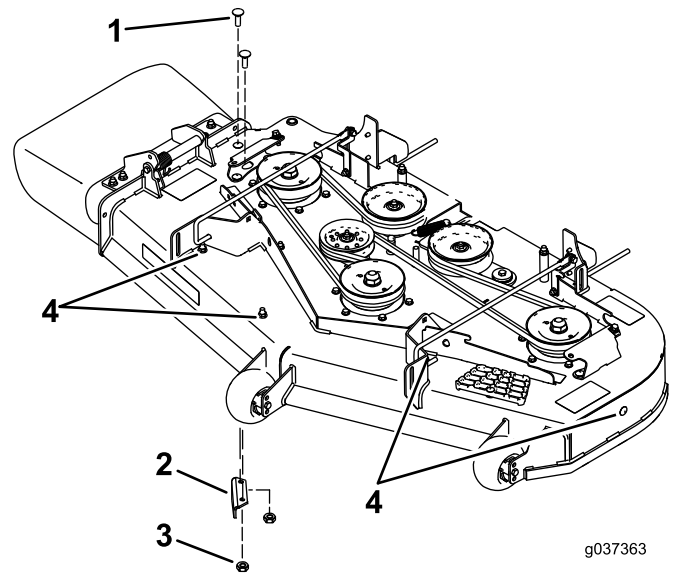
Removing the Existing Baffle

No Parts Required

Procedure

1. Remove the flange nuts holding the baffle in place (Figure 3).
2. Remove the bolts holding the baffle in place (Figure 3).
3. Remove the baffle and replace the nuts and bolts in the holes for the baffle (Figure 3).
4. Remove the hardware as indicated in Figure 3. Save the hardware.

Note: Save the baffle and hardware for use when changing to side-discharging mode.



g037363

Figure 3

- | | |
|-----------|---|
| 1. Bolts | 3. Nuts |
| 2. Baffle | 4. Remove the hardware before installing the baffles. |

4

Installing the Discharge Plate

Parts needed for this procedure:

1	Discharge plate
1	Carriage bolt (5/16 x 7/8 inch)
1	Flange nut (5/16 inch)
2	Flange nut (3/8 inch)
2	Carriage bolt (3/8 x 1 inch)

Procedure

1. Install the discharge plate to the outside of the mounting bracket with 2 carriage bolts (3/8 x 1-1/4 inches) and 2 flange nuts (small flange) (3/8 inch) as shown in [Figure 4](#).
2. Install the tab to the inside of the mower deck with 1 carriage bolt (5/16 x 7/8 inch) and 1 flange nut (5/16 inch) as shown in [Figure 4](#).

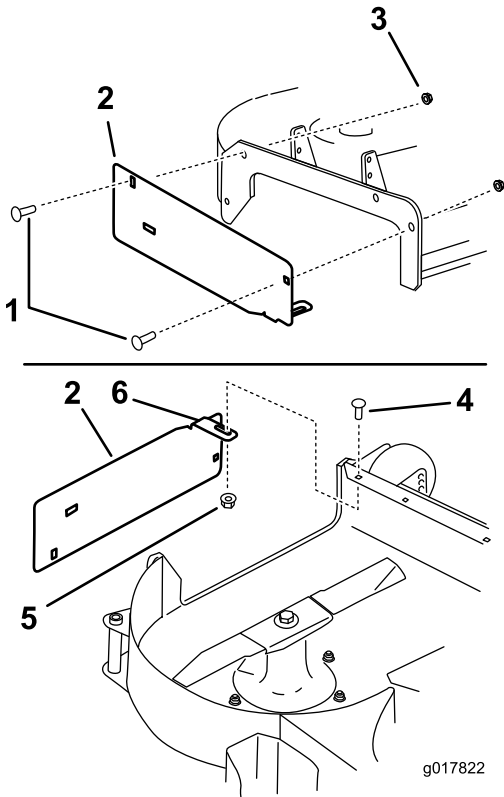


Figure 4

1. Carriage bolt (3/8 x 1 inch)
2. Discharge plate
3. Flange nut (3/8 inch)
4. Carriage bolt (5/16 x 7/8 inch)
5. Flange nut (5/16 inch)
6. Ensure that the tab is positioned inside the mower deck.

5

Installing the Baffles 48-inch and 52-inch Mower Decks

Parts needed for this procedure:

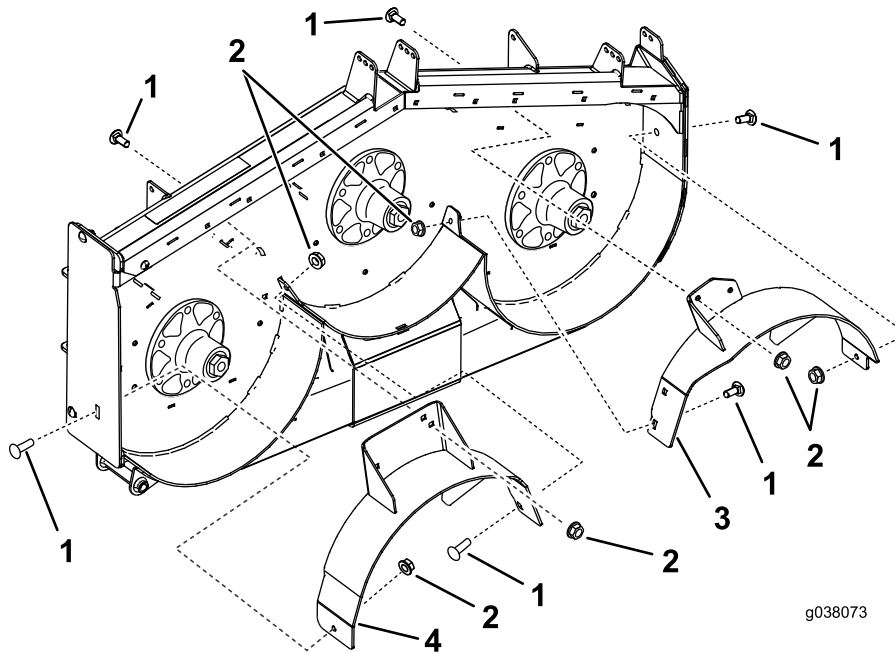
1	Left baffle
1	Center baffle
1	Right baffle
9	Flange nut (3/8 inch)
9	Carriage bolt (3/8 x 1 inch)

Procedure

Note: Loosely install the baffles to align the baffles with all holes in the mower deck (Figure 5).

1. Position the right baffle into the mower deck.

2. Loosely install the right baffle to the discharge plate with 1 carriage bolt (3/8 x 1 inch) and a flange nut (3/8 inch) as shown in Figure 5.
3. Loosely install the right baffle to the top of the mower deck with 1 carriage bolt (3/8 x 1 inch) and 1 flange nut, (3/8 inch) as shown in Figure 5. Refer to Figure 6 and Figure 7 for the correct holes to use.
4. Loosely install the right baffle to the mower deck with 1 carriage bolt (3/8 x 1 inch) and 1 flange nut (3/8 inch) as shown in Figure 5.
5. Position the left baffle into the mower deck.
6. Loosely install the left baffle to the top of the mower deck with 1 bolt (3/8 x 1 inch) and 1 flange nut (3/8 inch) as shown in Figure 5. Refer to Figure 6 and Figure 7 for the correct holes to use.
7. Loosely install the left baffle to the mower deck with 1 carriage bolt (3/8 x 1 inch) and 1 flange nut (3/8 inch) as shown in Figure 5.
8. Loosely install the left baffle to the side of the mower deck with 1 carriage bolt (3/8 x 1 inch) and 1 flange nut (3/8 inch) as shown in Figure 5.



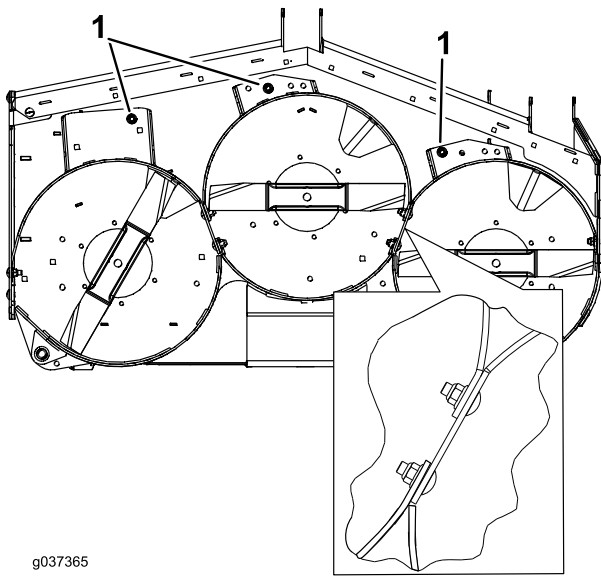
g038073

Figure 5

52-inch mower deck shown

1. Carriage bolt (3/8 x 1 inch) 2. Flange nut (3/8 inch) 3. Left baffle 4. Right baffle

(3/8 inch) as shown in [Figure 8](#). Refer to [Figure 6](#) and [Figure 7](#) for the correct holes to use.

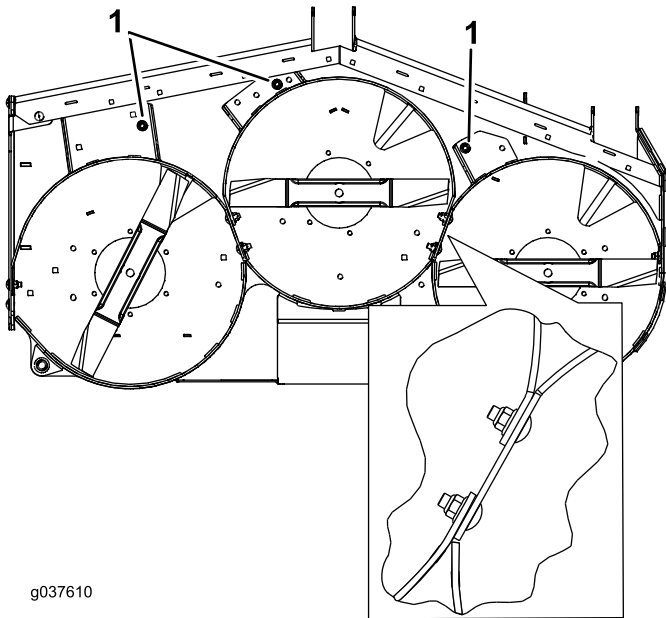


g037365

Figure 6

48-inch mower deck shown

1. Use these holes for 48-inch mower decks



g037610

Figure 7

52-inch mower deck shown

1. Use these holes for 52-inch mower decks
9. Position the center baffle into the mower deck.
10. Loosely install the center baffle to the left baffle with 1 carriage bolt (3/8 x 1 inch) and 1 flange nut (3/8 inch) as shown in [Figure 8](#). Refer to [Figure 6](#) and [Figure 7](#) for the correct holes to use.
11. Loosely install the center baffle to the right baffle with 1 carriage bolt (3/8 x 1 inch) and 1 flange nut (3/8 inch) as shown in [Figure 8](#).
12. Loosely install the center baffle to the top of the mower deck with 1 bolt (3/8 x 1 inch) and 1 flange nut

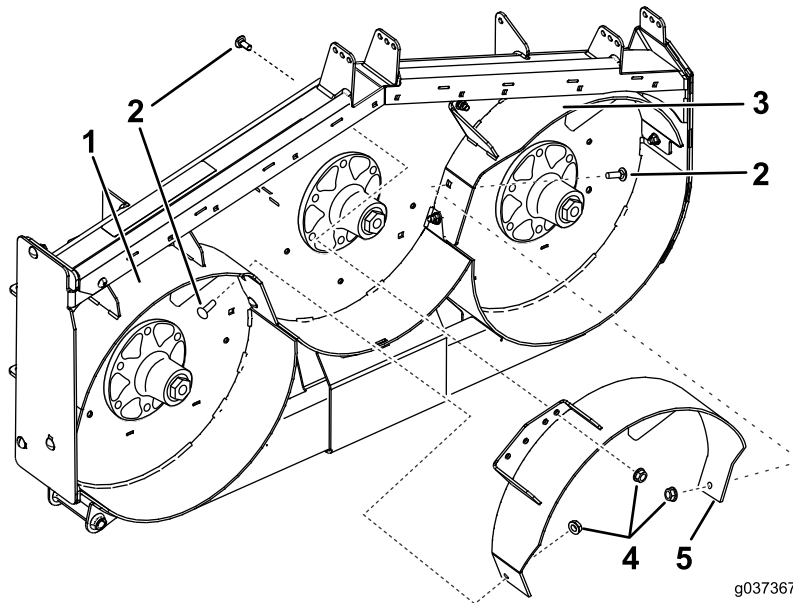


Figure 8

- | | | |
|---------------------------------|--------------------------|------------------|
| 1. Right baffle | 3. Left baffle | 5. Center baffle |
| 2. Carriage bolt (3/8 x 1 inch) | 4. Flange nut (3/8 inch) | |

6

Installing the Baffles for 60-inch Mower Decks

Parts needed for this procedure:

1	Left baffle
1	Center baffle
1	Right baffle
9	Flange nut (3/8 inch)
9	Carriage bolt (3/8 x 1 inch)

Procedure

Note: Loosely install the baffles to align the baffles with all holes in the mower ([Figure 9](#)).

5. Position the left baffle into the mower.
6. Loosely install the left baffle to the top of the mower deck with 1 bolt (3/8 x 1 inch) and 1 flange nut (3/8 inch) as shown in [Figure 9](#).
7. Loosely install the left baffle to the mower deck with 1 carriage bolts (3/8 x 1 inch) and 1 flange nuts (3/8 inch) as shown in [Figure 9](#).
8. Loosely install the left baffle to the side of the mower deck with 1 carriage bolt (3/8 x 1 inch) and 1 flange nut (3/8 inch) as shown in [Figure 9](#).

1. Position the right baffle into the mower.
2. Loosely install the right baffle to the discharge plate with 1 carriage bolt (3/8 x 1 inch) and 1 flange nut (3/8 inch) as shown in [Figure 9](#).
3. Loosely install the right baffle to the top of the mower deck with 1 carriage bolt (3/8 x 1 inch) and 1 flange nut, (3/8 inch). Refer to [Figure 9](#) and [Figure 10](#).
4. Loosely install the right baffle to the mower deck with 1 carriage bolt (3/8 x 1 inch) and 1 flange nut (3/8 inch) as shown in [Figure 9](#).

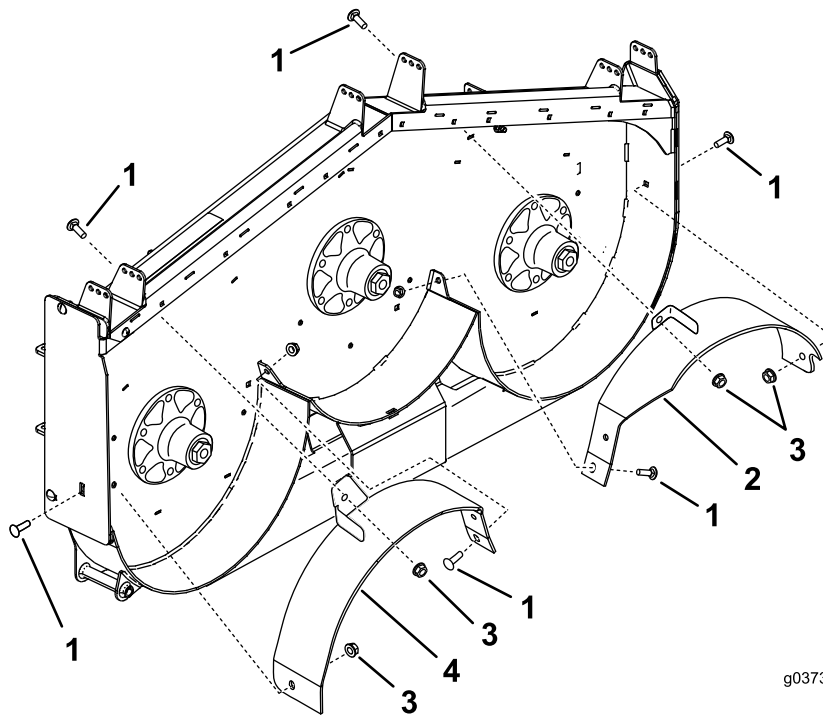


Figure 9
60-inch mower deck shown

1. Carriage bolt (3/8 x 1 inch) 2. Left baffle 3. Flange nut (3/8 inch) 4. Right baffle

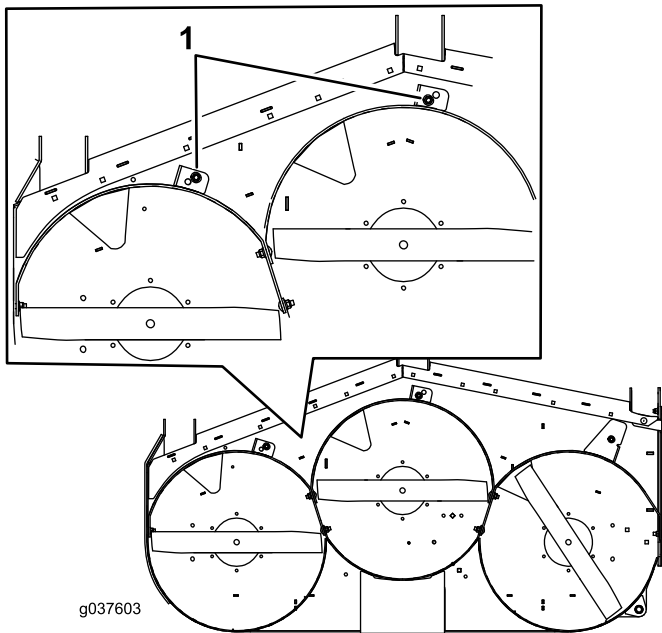


Figure 10

11. Loosely install the center baffle to the right baffle with 1 carriage bolt (3/8 x 1 inch) and 1 flange nut (3/8 inch) as shown in [Figure 11](#).
12. Loosely install the center baffle to the top of the mower deck with 1 bolt (3/8 x 1 inch) and 1 flange nut (3/8 inch) as shown in [Figure 10](#) and [Figure 11](#).

1. Use these holes for 60-inch mower decks.

9. Position the center baffle into the mower.
10. Loosely install the center baffle to the left baffle with 1 carriage bolt (3/8 x 1 inch) and 1 flange nut (3/8 inch) as shown in [Figure 11](#).

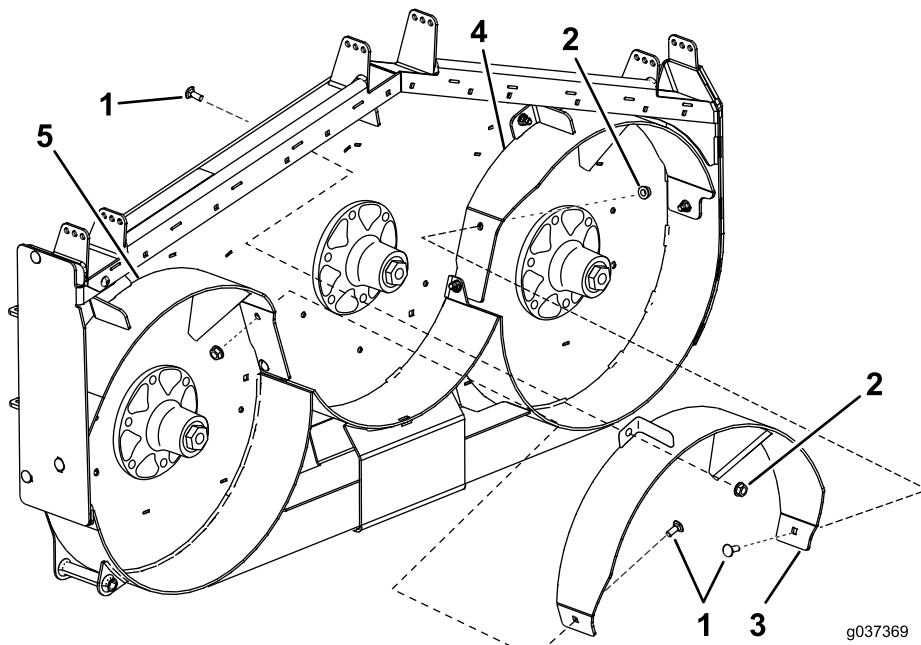


Figure 11

- | | | |
|---------------------------------|------------------|-----------------|
| 1. Carriage bolt (3/8 x 1 inch) | 3. Center baffle | 5. Right baffle |
| 2. Flange nut (3/8 inch) | 4. Left baffle | |

7

Installing the New Blades

Parts needed for this procedure:

3	Recycler blades
---	-----------------

Procedure

Important: The sail part of the blade (i.e., the turned-up section) must face the inside of the mower (Figure 12).

- To hold the spindle shaft, use an open-end wrench (1-1/2 inches) on the spindle-shaft end (Figure 12).
- Install the blade, curved washer, and blade bolt.

Note: The spring disk cone must be installed toward the bolt head (Figure 12).

- Torque the blade bolt to 115 to 150 N·m (85 to 110 ft-lb).

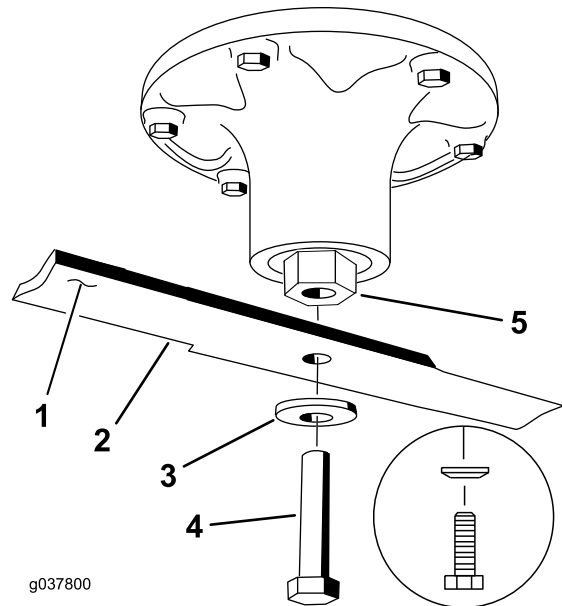


Figure 12

- | | |
|-----------------------|--------------------------------------|
| 1. Sail area of blade | 4. Blade bolt |
| 2. Blade | 5. Spindle-shaft end (hex end shown) |
| 3. Curved washer | |

⚠ WARNING

The blades are sharp. Contact with a sharp blade can cause serious personal injury.

Wear gloves or wrap the sharp edges of the blade with a rag.

8

Tightening all Fasteners

No Parts Required

Procedure

1. Tighten all nuts and bolts for the baffles (Figure 4, Figure 5, Figure 8, Figure 9, and Figure 11).
2. Rotate the blades and ensure that there is clearance between the blades and the baffles. If there is interference, loosen the baffle and reposition it.

Operation

Selecting the Proper Height of Cut

Remove approximately 25 mm (1 inch) or no more than 1/3 of the grass blade when cutting. In exceptionally lush and dense grass you may need to raise the height of cut setting or convert to side discharge or bagging.

Mowing in Extreme Conditions

Air is required to cut and recut grass clippings in the mower housing, so do not set the height-of-cut too low or surround the housing by uncut grass. Always try to have 1 side of the mower housing free from uncut grass, allowing air to be drawn into the housing. When making an initial cut through the center of an uncut area, operate the machine slower and back up if the mower starts to clog.

Mowing at Proper Intervals

Under most normal conditions you will need to mow every 4 or 5 days. However, grass grows at different rates at different times. Thus, in order to maintain the same height-of-cut, which is a good practice, you'll need to cut more frequently in early spring; as the grass growth rate slows in mid summer, cut only every 8 or 10 days. If you are unable to mow for an extended period due to weather conditions or other reasons, convert to the side discharge or bagging option or mow first at a high height of cut. Then mow again 2 or 3 days later with a lower height.

Mowing with Sharp Blades

A sharp blade cuts cleanly and without tearing or shredding the grass. A dull blade tears and shreds the grass. Tearing and shredding causes the grass to turn brown at the edges, which impairs growth and increases susceptibility to disease.

After Operating

To ensure optimum performance, clean the underside of the mower housing after each use. If residue builds up in the mower housing, cutting performance decreases.



Count on it.