



# Power Max® 826 OE Snowthrower

Model No. 37772—Serial No. 400010798 and Up

## Operator's Manual

## Introduction

### ▲ WARNING

#### CALIFORNIA Proposition 65 Warning

This product contains a chemical or chemicals known to the State of California to cause cancer, birth defects, or reproductive harm.

The engine exhaust from this product contains chemicals known to the State of California to cause cancer, birth defects, or other reproductive harm.

This machine is intended to be used by residential homeowners or professional, hired operators. It is designed for removing snow from paved surfaces, such as driveways and sidewalks, and other surfaces for traffic on residential or commercial properties. It is not designed for removing materials other than snow, nor is a model with a pivoting scraper designed for clearing off gravel surfaces.

Read this information carefully to learn how to operate and maintain your machine properly and to avoid injury and machine damage. You are responsible for operating the machine properly and safely.

You may contact Toro directly at [www.Toro.com](http://www.Toro.com) for machine and accessory information, help finding a dealer, or to register your machine.

Whenever you need service, genuine Toro parts, or additional information, contact an Authorized Service Dealer or Toro Customer Service and have the model and serial numbers of your machine ready. [Figure 1](#) identifies the location of the model and serial numbers on the machine. Write the numbers in the space provided.

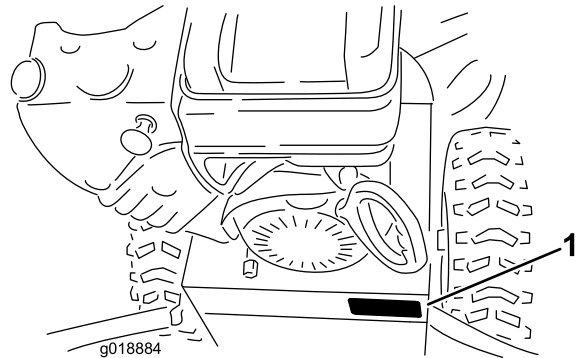


Figure 1

1. Model and serial number location

Model No. \_\_\_\_\_

Serial No. \_\_\_\_\_

This manual identifies potential hazards and has safety messages identified by the safety-alert symbol ([Figure 2](#)), which signals a hazard that may cause serious injury or death if you do not follow the recommended precautions.



Figure 2

1. Safety-alert symbol

This manual uses 2 words to highlight information.

**Important** calls attention to special mechanical information and **Note** emphasizes general information worthy of special attention.

**Important:** If you are using this machine above 1500 m (5,000 ft) for a continuous period, ensure that the High Altitude Kit has been installed so that the engine meets CARB/EPA emission regulations. The High Altitude Kit increases engine performance while preventing spark-plug fouling, hard starting, and increased emissions. Once you have installed the kit, attach the high-altitude label next to the serial decal on the machine. Contact any Authorized Toro Service Dealer to obtain the proper High Altitude Kit and high-altitude label for your machine. To locate a dealer convenient to you, access our website at [www.Toro.com](http://www.Toro.com) or contact our Toro Customer Care Department at the number(s) listed in your Emission Control Warranty Statement.



Remove the kit from the engine and restore the engine to its original factory configuration when running the engine under 1500 m (5,000 ft). Do not operate an engine that has been converted for high-altitude use at lower altitudes; otherwise, you could overheat and damage the engine.

If you are unsure whether or not your machine has been converted for high-altitude use, look for the following label (Figure 3).

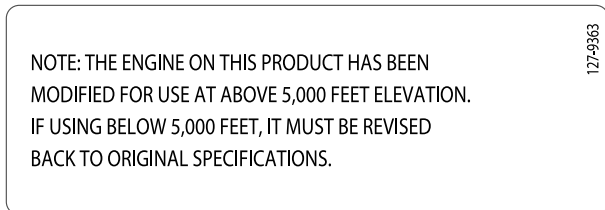


Figure 3

This spark ignition system complies with Canadian ICES-002.

## Contents

Introduction .....	1
Safety .....	2
Safety and Instructional Decals .....	3
Setup .....	5
1 Installing the Upper Handle.....	5
2 Installing the Traction-Control Linkage.....	6
3 Installing the Chute .....	7
4 Installing the Chute-Control Rod .....	7
5 Checking the Engine-Oil Level .....	8
6 Checking the Tire Pressure.....	8
7 Checking the Skids and Scraper.....	8
8 Checking the Operation of the Traction Drive .....	8
Product Overview .....	10
Operation .....	10
Before Operation .....	10
Safety.....	10
Freewheeling or Using the Self-propel Drive.....	10
Filling the Fuel Tank .....	11
During Operation .....	11
Safety.....	11
Starting the Engine.....	12
Shutting Off the Engine .....	13
Operating the Traction Drive .....	14
Operating the Speed Selector .....	14
Operating the Auger/Impeller Drive.....	14
Operating the Quick Stick®.....	15
Unclogging the Discharge Chute .....	15
Operating Tips .....	16
After Operation .....	16
Safety.....	16
Preventing Freeze-up after Use.....	16
Maintenance .....	17

Recommended Maintenance Schedule(s) .....	17
Maintenance Safety.....	17
Preparing for Maintenance.....	17
Checking the Engine-Oil Level.....	17
Checking and Adjusting the Skids and Scraper.....	18
Checking and Adjusting the Traction Cable .....	18
Checking and Adjusting the Auger/Impeller Cable .....	19
Checking the Auger-Gearbox-Oil Level.....	19
Changing the Engine Oil .....	20
Lubricating the Hex Shaft.....	20
Replacing the Spark Plug .....	21
Adjusting the Discharge-Chute Latch.....	22
Replacing the Drive Belts.....	22
Storage .....	22
Preparing the Machine for Storage .....	22
Removing the Machine from Storage.....	22
Troubleshooting .....	23

## Safety

This machine complies with ANSI B71.3 specifications in effect at the time of production.

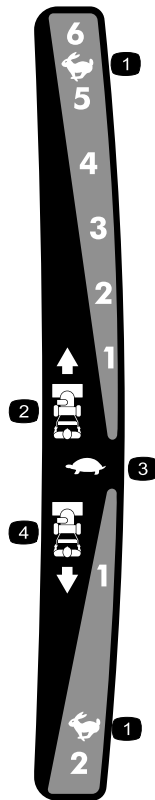
- Read and understand the contents of this *Operator's Manual* before you start the engine. Ensure that everyone using this product knows how to use the product and understands the warnings.
- Do not put your hands or feet near moving components on the machine.
- Do not operate machine without all guards and other safety protective devices in place and working on the machine.
- Keep clear of any discharge opening. Keep bystanders a safe distance away from the machine.
- Keep children out of the operating area. Never allow children to operate the machine.
- Shut off the engine before unclogging, servicing, or fueling the machine.

You can find additional items of safety information in their respective sections throughout this manual.

# Safety and Instructional Decals

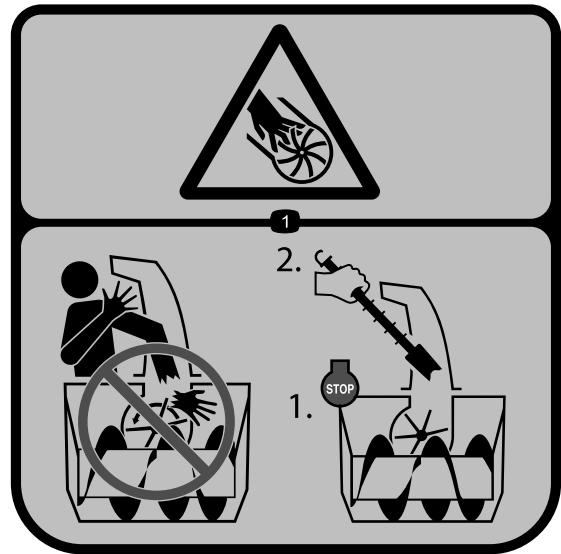


Safety and instruction decals are located near areas of potential danger. Replace damaged or missing decals.



121-6823

- |                   |                   |
|-------------------|-------------------|
| 1. Fast           | 3. Slow           |
| 2. Forward speeds | 4. Reverse speeds |



121-1239

Order Part No. 121-1215



121-6817

1. Cutting dismemberment, impeller and cutting dismemberment, auger hazards—keep bystanders a safe distance away from the snowthrower.



**121-1240**

Order Part No. 120-7194

1. Traction drive—squeeze the lever to engage; release the lever to disengage.
2. Warning—read the *Operator's Manual*.
3. Cutting/dismemberment hazard, impeller—do not place your hand in the chute; shut off the engine before leaving the operating position, use the tool to clear the chute.
4. Cutting dismemberment hazard, impeller—keep away from moving parts; remove the ignition key and read the instructions before servicing or performing maintenance.
5. Thrown object hazard—keep bystanders a safe distance away from the snowthrower.
6. Auger/impeller drive—squeeze the lever to engage; release the lever to disengage.



**Briggs & Stratton Part No. 273676**

1. Stop
2. Slow
3. Fast



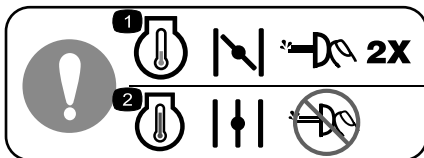
**Briggs & Stratton Part No. 275949**

1. Choke on (choke)
2. Choke off (run)



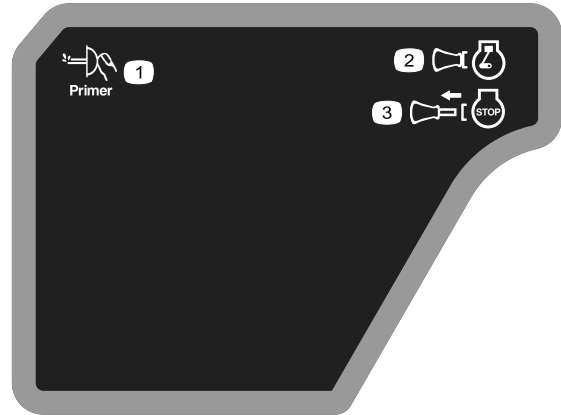
**Briggs & Stratton Part No. 276925**

1. Warning—read the *Operator's Manual*.
2. Warning—fire hazard.
3. Warning—toxic gas inhalation hazard.
4. Warning—hot surface/burn hazard.



**Briggs & Stratton Part No. 277566**

1. When starting a cold engine, close the choke and press the primer two times.
2. When starting a warm engine, open the choke and do not press the primer.



**Briggs & Stratton Part No. 277588**

1. Primer
2. Ignition key in (Engine—run)
3. Ignition key out (Engine—shut off)



**Briggs & Stratton Part No. 278866**

1. Fuel—on
2. Fuel—off

# Setup

## Loose Parts

Use the chart below to verify that all parts have been shipped.

Procedure	Description	Qty.	Use
<b>1</b>	Handle bolt	2	Install the upper handle.
	Curved washer	2	
	Locknut	2	
<b>2</b>	Hairpin cotter	2	Install the traction-control linkage.
	Flat washer	3	
<b>3</b>	Nut	2	Install the chute.
	Carriage bolt	2	
	Flat washer	2	
<b>4</b>	Carriage bolt	2	Install the chute-control rod.
	Locknut	2	
<b>5</b>	No parts required	–	Check the engine-oil level.
<b>6</b>	No parts required	–	Check the tire pressure.
<b>7</b>	No parts required	–	Check the skids and scraper.
<b>8</b>	No parts required	–	Check the operation of the traction drive.

# 1

## Installing the Upper Handle

Parts needed for this procedure:

2	Handle bolt
2	Curved washer
2	Locknut

## Procedure

1. Lift and rotate the upper handle and position it over the lower handle (Figure 4).
2. Install 2 handle bolts, 2 curved washers, and 2 locknuts in the lower handle holes (Figure 4).

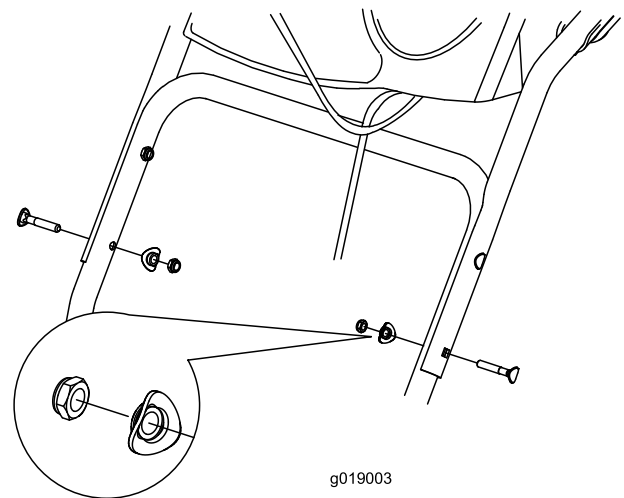


Figure 4

# 2

## Installing the Traction-Control Linkage

**Parts needed for this procedure:**

2	Hairpin cotter
3	Flat washer

**Procedure**

1. Insert the lower end of the rod into the lower link arm so that the bent end of the speed-control rod faces rearward (Figure 5).

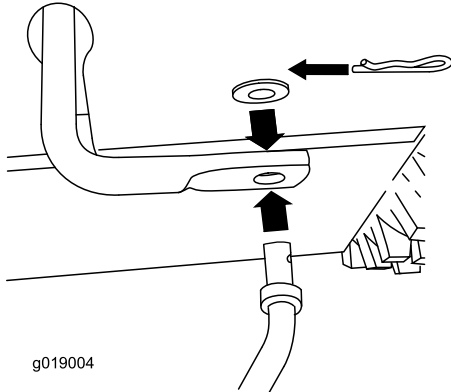


Figure 5

2. Secure the lower end of the speed-control rod with a flat washer and a hairpin cotter (Figure 5).
3. Place a flat washer on the trunnion (Figure 6).

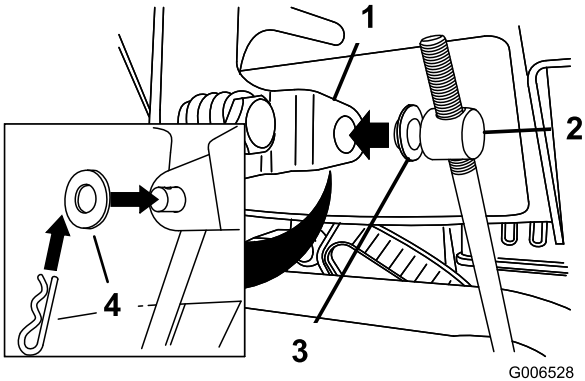


Figure 6

- |                         |                 |
|-------------------------|-----------------|
| 1. Speed-selector lever | 3. Inner washer |
| 2. Trunnion             | 4. Outer washer |

4. Shift the speed-selector lever into Position R2.
5. Rotate the lower link arm fully upward (counterclockwise) as shown in Figure 7.

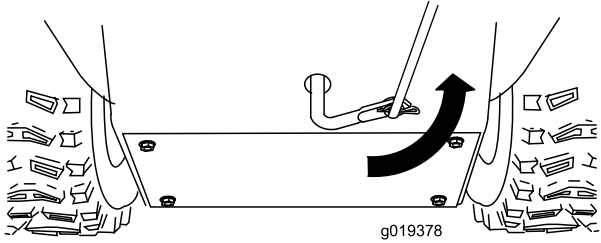


Figure 7

6. Pull up on the speed-control rod and insert the trunnion into the hole in the speed-selector lever (Figure 6).

**Note:** If the trunnion does not fit into the hole when you lift up on the speed-control rod, rotate the trunnion upward or downward on the speed-control rod until it fits.

7. Secure the trunnion and upper end of the speed-control rod with a washer and a hairpin cotter.

**Note:** For easier installation, look down through the opening in the speed selector (Figure 8).

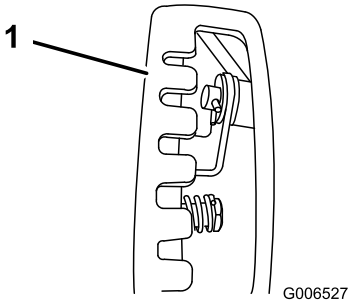


Figure 8

1. Speed selector

# 3

## Installing the Chute

Parts needed for this procedure:

2	Nut
2	Carriage bolt
2	Flat washer

### Procedure

1. Place the chute on the frame and align the discharge chute mount to the chute support.

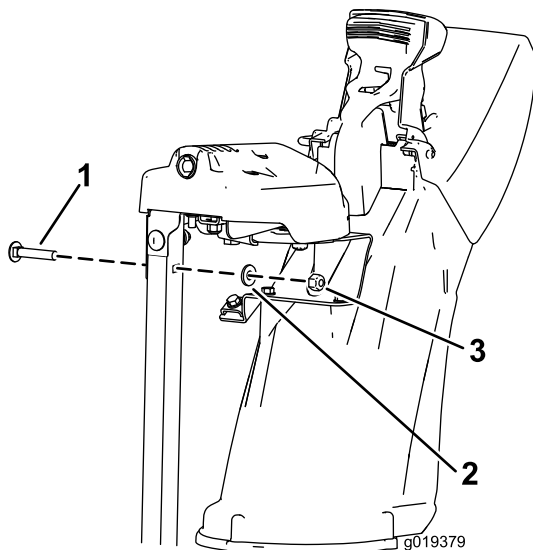


Figure 9

1. Carriage bolt
2. Flat washer
3. Nut

2. Secure the discharge chute mount using 2 bolts, 2 nuts, and 2 flat washers.

# 4

## Installing the Chute-Control Rod

Parts needed for this procedure:

2	Carriage bolt
2	Locknut

### Procedure

1. Unwrap the Quick Stick and rotate it so that it is upright and in the center.
2. Hold the blue trigger cap down and pull the lever fully rearward.

**Note:** The discharge chute and deflector should face forward. If they do not, hold the blue trigger cap down (but do not move the Quick Stick) and rotate the discharge chute until they do.

3. Align the flattened back end of the long chute-control rod with the flattened front end of the short rod that extends from the control panel so that they nest together (Figure 10).

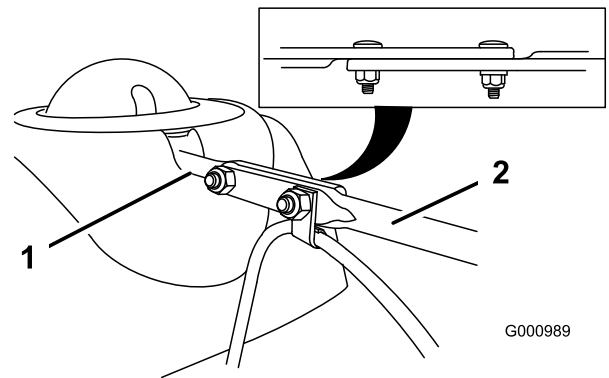
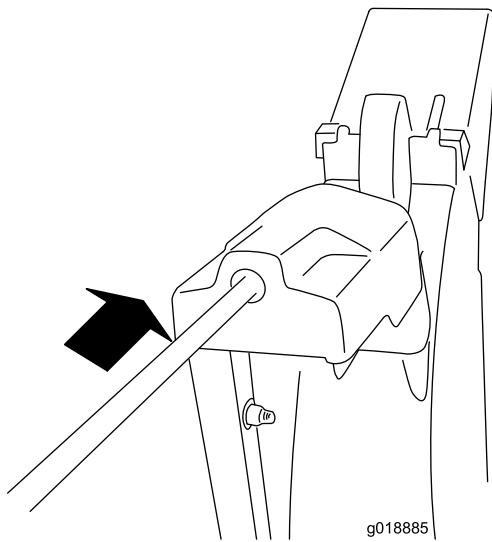


Figure 10

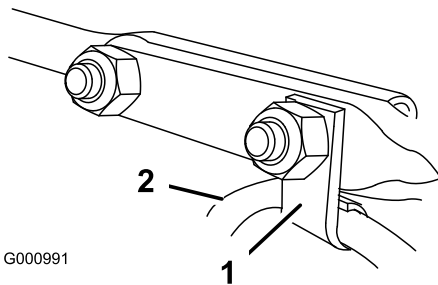
1. Short rod
2. Long chute-control rod

4. Insert the front end of the rod into the opening in the back of the chute-gear cover until it slides into the chute gear (Figure 11).



**Figure 11**

5. Align the holes in the nested ends of the rods and insert 2 carriage bolts (in the loose-parts bag) through the short rod from the left side of the machine (from the operating position).
6. Insert the cable clip that supports the deflector cable onto the forward carriage bolt, and secure the carriage bolts with locknuts from the loose-parts bag ([Figure 12](#)).



**Figure 12**

1. Cable clip
2. Deflector cable

7. Hold the blue trigger cap down and rotate the Quick Stick in a circle to ensure that the chute and deflector operate smoothly.

# 5

## Checking the Engine-Oil Level

**No Parts Required**

### Procedure

**Note:** Your machine comes with oil in the engine crankcase. Before starting the engine, check the oil level and add oil if necessary.

Refer to [Checking the Engine-Oil Level \(page 17\)](#).

# 6

## Checking the Tire Pressure

**No Parts Required**

### Procedure

The tires are overinflated at the factory for shipping. Reduce the pressure equally in both tires to between 116 and 137 kPa (17 and 20 psi).

# 7

## Checking the Skids and Scraper

**No Parts Required**

### Procedure

Refer to [Checking and Adjusting the Skids and Scraper \(page 18\)](#).



# 8

## Checking the Operation of the Traction Drive

### No Parts Required

### Procedure

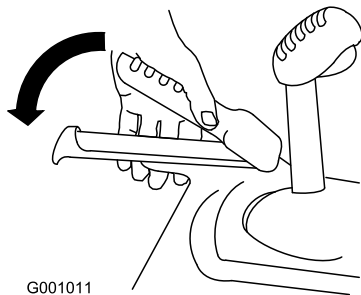
#### ⚠ CAUTION

If the traction drive is not properly adjusted, the machine may move in the direction opposite of what you intended, causing injury and/or property damage.

Carefully check the traction drive and adjust it properly, if necessary.

**Note:** To check the operation of the traction drive, the self-propel feature must be engaged by ensuring the wheels are pinned in the axle. Refer to [Freewheeling or Using the Self-propel Drive](#) (page 10).

1. Start the engine; refer to [Starting the Engine](#) (page 12).
2. Move the speed selector to Position R1; refer to [Operating the Speed Selector](#) (page 14).
3. Squeeze the left (traction) lever to the handgrip ([Figure 13](#)).



**Figure 13**

4. Release the traction lever.
5. Move the speed selector to Position 1; refer to [Operating the Speed Selector](#) (page 14).
6. Squeeze the left (traction) lever to the handgrip ([Figure 13](#)).

The machine should move forward. If the machine does not move or moves rearward, complete the following:

- A. Release the traction lever and shut off the engine.
  - B. Disconnect the trunnion from the speed-selector lever ([Figure 6](#)).
  - C. Turn the trunnion upward (counterclockwise) on the speed-control rod ([Figure 6](#)).
  - D. Connect the trunnion to the speed-selector lever ([Figure 6](#)).
7. If you made any adjustments, repeat this procedure until no adjustments are required.

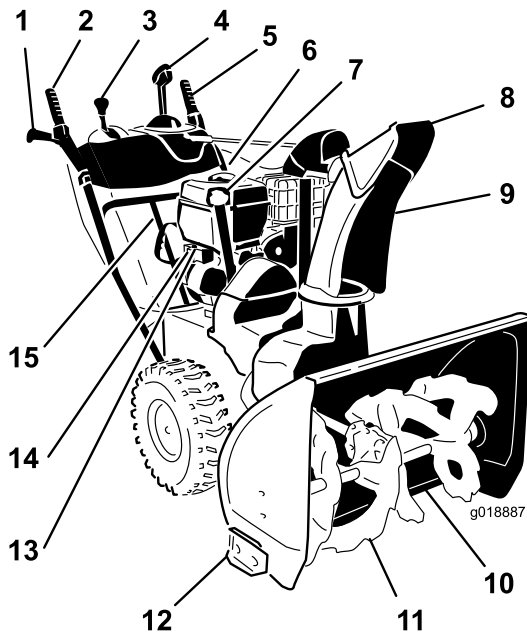
**Important:** If the machine moves when the traction lever is in the released position, check the traction cable (refer to [Checking and Adjusting the Traction Cable](#) (page 18)) or take the machine to an Authorized Service Dealer for service.

---

The machine should move rearward. If the machine does not move or moves forward, complete the following:

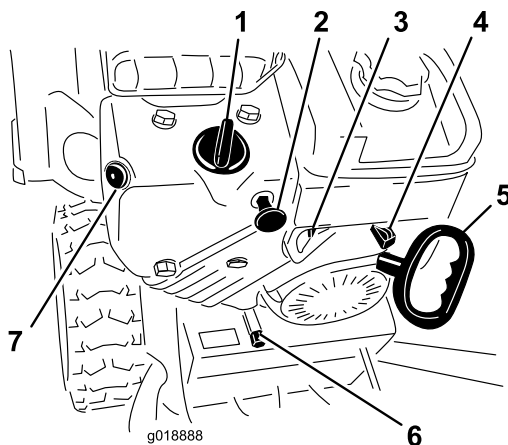
- A. Release the traction lever and shut off the engine.
- B. Disconnect the trunnion from the speed-selector lever ([Figure 6](#)).
- C. Turn the trunnion downward (clockwise) on the speed-control rod ([Figure 6](#)).
- D. Connect the trunnion to the speed-selector lever ([Figure 6](#)).

# Product Overview



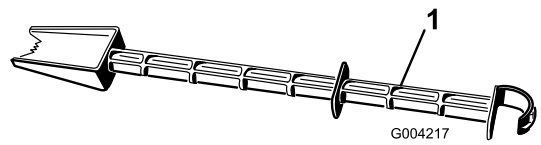
**Figure 14**

- |   |                            |
|---|----------------------------|
| 1. Handgrip (2)                         | 9. Discharge chute         |
| 2. Auger/impeller lever                 | 10. Scraper                |
| 3. Speed-selector lever                 | 11. Auger                  |
| 4. Quick Stick® discharge-chute control | 12. Skid (2)               |
| 5. Traction lever                       | 13. Electric-start button  |
| 6. Fuel-tank cap                        | 14. Electric-start plug-in |
| 7. Oil-fill tube/dipstick               | 15. Snow-cleanout tool     |
| 8. Chute deflector                      |                            |



**Figure 15**

- |                       |                        |
|-----------------------|------------------------|
| 1. Choke              | 5. Recoil-start handle |
| 2. Ignition switch    | 6. Oil-drain plug      |
| 3. Fuel-shutoff valve | 7. Primer              |
| 4. Throttle           |                        |



**Figure 16**

1. Snow-cleanout tool (attached to the handle)

## Operation

### Before Operation

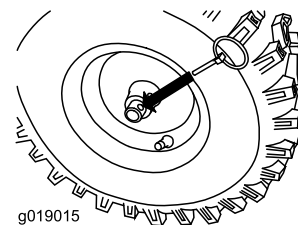
### Safety

- Use extension cords and receptacles as specified by the manufacturer for all machines with electric-starting motors.
- Do not operate the machine without wearing adequate winter garments. Avoid loose-fitting clothing that can get caught in moving parts. Wear substantial, slip-resistant footwear that will improve footing on slippery surfaces.
- Always wear safety glasses or eye protection during operation or while performing an adjustment or repair to protect your eyes from foreign objects that the machine may throw.
- Thoroughly inspect the area where you will use the machine and remove all doormats, sleds, boards, wires, and other foreign objects.
- If a shield, safety device, or decal is damaged, illegible, or lost, repair or replace it before beginning operation. Also, tighten any loose fasteners.

### Freewheeling or Using the Self-propel Drive

You can operate the snowthrower with the self-propel feature engaged or disengaged (freewheeling).

To freewheel, slide the wheels inward and insert the axle pins through the axle holes, but not through the wheel hubs (Figure 17).



**Figure 17**

To self-propel, axle pin through the holes in the wheel hubs and the inner axle holes (Figure 18).

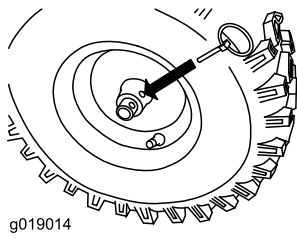


Figure 18

# During Operation

## Safety

- **Rotating auger blades can injure fingers or hands.** Stay behind the handles and away from the discharge opening while operating the machine. **Keep your face, hands, feet, and any other part of your body or clothing away from moving or rotating parts.**
- Never direct the discharge toward people or areas where property damage can occur.
- Exercise caution to avoid slipping or falling. Always be sure of your footing, and keep a firm hold on the handles. Walk; never run.
- Exercise extreme caution when operating on slopes.
- Never operate the machine without good visibility or light.
- Look behind and use care when backing up with the machine.
- When not actively clearing snow, disengage power to the rotor blades.
- Use extension cords and receptacles as specified by the manufacturer for all machines with electric-starting motors.
- Do not attempt to clear snow from a gravel or crushed rock surface. This product is intended for use only on paved surfaces.
- Do not use the machine on a roof.
- Never attempt to make any adjustments while the engine is running (except when specifically recommended by manufacturer).
- Stay alert for hidden hazards or traffic.
- After striking a foreign object, shut off the engine, remove the ignition key, thoroughly inspect the machine for any damage, and repair the damage before starting and operating the machine.
- If the machine should start to vibrate abnormally, shut off the engine and check immediately for the cause.
- Do not run the engine indoors, except when starting the engine and for transporting the machine in or out of the building. Open the outside doors; exhaust fumes are dangerous.
- Do not overload the machine capacity by attempting to clear snow at too fast a rate.
- Never touch a hot engine or muffler.
- Thoroughly inspect the electrical cord before plugging it into a power source. If the cord is damaged, do not use it to start the machine. Replace the damaged cord immediately. Unplug the power cord whenever you are not starting the machine.

## Filling the Fuel Tank

- For best results, use only clean, fresh, unleaded gasoline with an octane rating of 87 or higher ((R+M)/2 rating method).
- Oxygenated fuel with up to 10% ethanol or 15% MTBE by volume is acceptable.
- **Do not** use ethanol blends of gasoline (such as E15 or E85) with more than 10% ethanol by volume. Performance problems and/or engine damage may result which may not be covered under warranty.
- **Do not** use gasoline containing methanol.
- **Do not** store fuel either in the fuel tank or fuel containers over the winter unless you use a fuel stabilizer.
- **Do not** add oil to gasoline.

**Important:** To reduce starting problems, add fuel stabilizer to the fuel all season, mixing it with gasoline less than 30 days old.

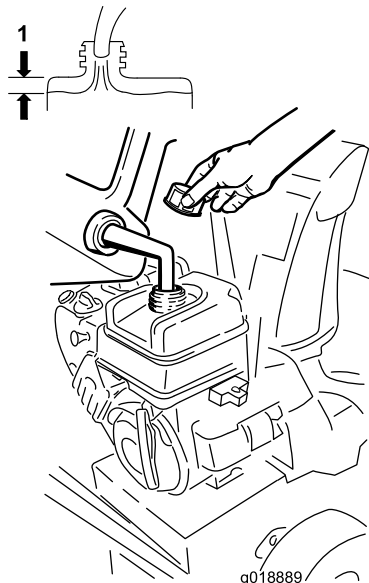
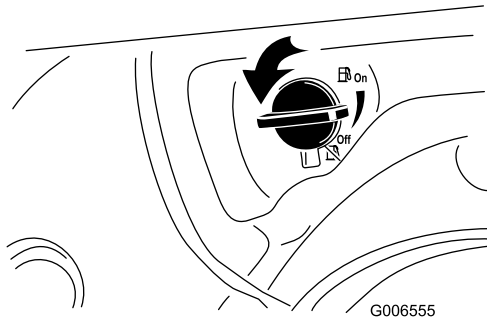


Figure 19

1. Do not fill above the bottom of the fuel-tank neck.

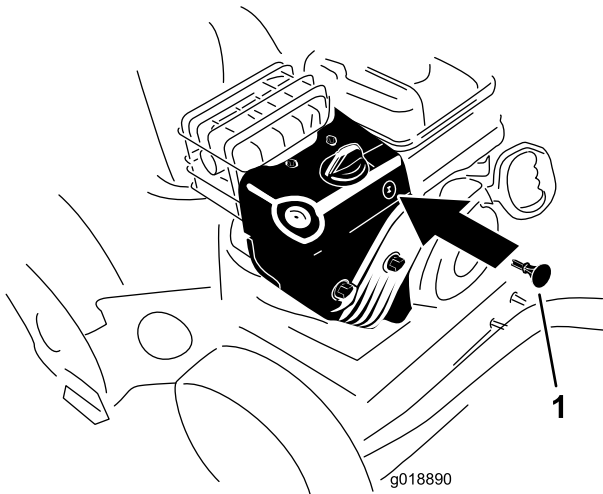
# Starting the Engine

1. Check the engine-oil level. Refer to [Checking the Engine-Oil Level](#) (page 17).
2. Turn the fuel-shutoff valve 1/4 turn counterclockwise to open it ([Figure 20](#)).



**Figure 20**

3. Insert the ignition key ([Figure 21](#)).

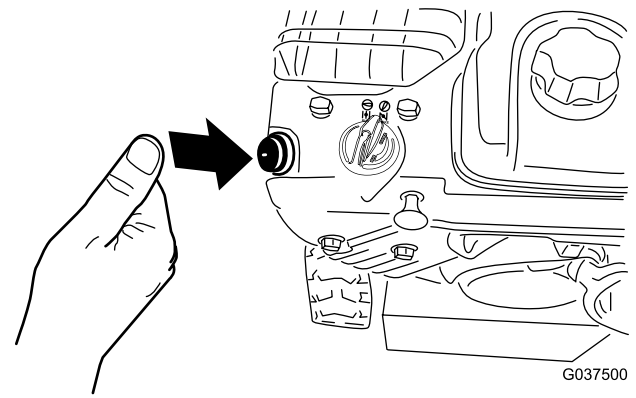


**Figure 21**

1. Ignition key

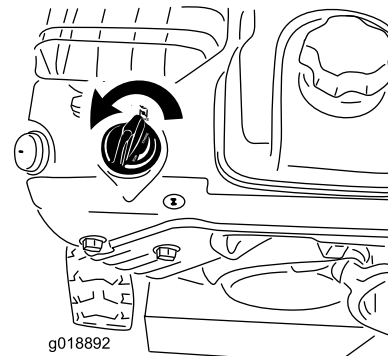
4. Firmly push in the primer with your thumb as indicated by the table below, holding the primer in for a second before releasing it each time ([Figure 22](#)).

Temperature	Suggested Number of Primes
-9°C (15°F) and above	2
Below -9°C (15°F)	4



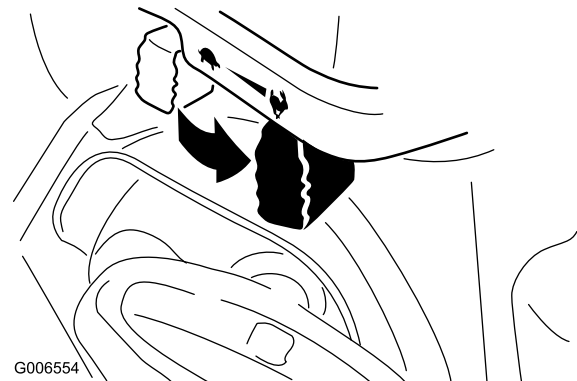
**Figure 22**

5. Rotate the choke to the CHOKE position ([Figure 23](#)).



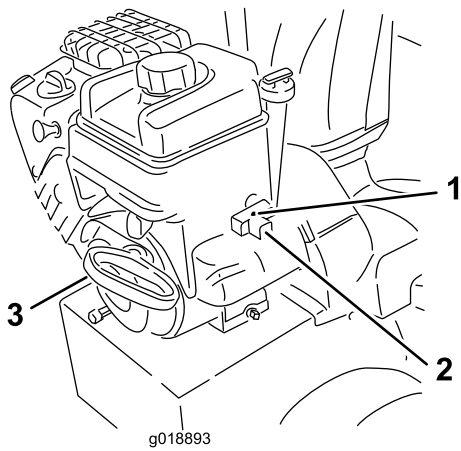
**Figure 23**

6. Move the throttle to the FAST position ([Figure 24](#)).



**Figure 24**

7. Start the machine pulling the recoil-start handle or pressing the electric-starter button ([Figure 25](#)).



**Figure 25**

- |                           |                        |
|---------------------------|------------------------|
| 1. Electric-start button  | 3. Recoil-start handle |
| 2. Electric-start plug-in |                        |

To use the electric starter (electric start only), connect a power cord to the electric-start plug-in first and then to a ground fault circuit interrupter (GFCI) power outlet. Use only a UL-listed, 16-gauge power cord recommended for outdoor use that is not longer than 15 m (50 ft).

**Important:** Do not use a worn or damaged power cord.

### **⚠ WARNING**

The electrical cord can become damaged, causing a shock or fire.

Thoroughly inspect the electrical cord before using the machine. If the cord is damaged, do not operate the machine. Replace or repair the damaged cord immediately. Contact an Authorized Service Dealer for assistance.

**Important:** To prevent damaging the electric starter, run it in short cycles (5 seconds maximum, then wait one minute before trying to start it again). If the engine still does not start, take the machine to an Authorized Service Dealer for service.

8. Disconnect the power cord from the power outlet first and then from the machine (electric start only).
9. Allow the engine to warm up for several minutes, move the choke toward the RUN position. Wait for the engine to run smoothly before each choke adjustment.

### **⚠ CAUTION**

If you leave the machine plugged into a power outlet, someone can inadvertently start the machine and injure people or damage property.

Unplug the power cord whenever you are not starting the machine.

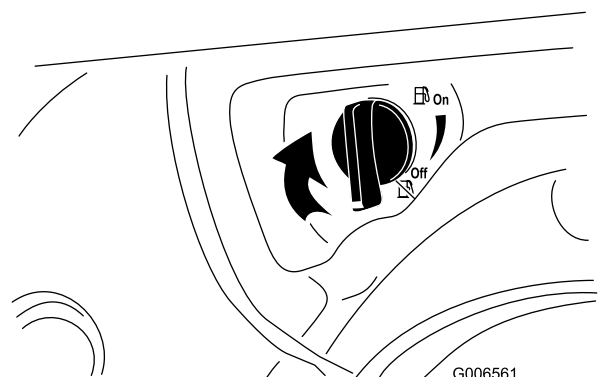
## Shutting Off the Engine

1. Move the throttle to the SLOW position and then to the STOP position (Figure 26).



**Figure 26**

2. Wait for all moving parts to stop before leaving the operating position.
3. Remove the ignition key.
4. Close the fuel-shutoff valve by rotating it clockwise (Figure 27).



**Figure 27**

5. Pull the recoil-start handle 3 or 4 times. This helps prevent the recoil starter from freezing up.

## Operating the Traction Drive

### ⚠ CAUTION

If the traction drive is not properly adjusted, the machine may move in the direction opposite of what you intended, causing injury and/or property damage.

Carefully check the traction drive and adjust it properly, if necessary; refer to [8 Checking the Operation of the Traction Drive \(page 8\)](#) for more information.

**Important:** If the machine moves when the traction lever is in the released position, check the traction cable; refer to [Checking and Adjusting the Traction Cable \(page 18\)](#) or take the machine to an Authorized Service Dealer for service.

1. To engage the traction drive, squeeze the left (traction) lever to the handgrip ([Figure 28](#)).

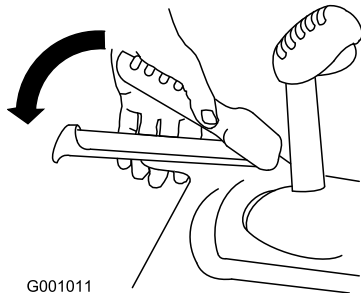


Figure 28

2. To stop the traction drive, release the traction lever.

## Operating the Speed Selector

The speed selector has 6 forward and 2 reverse gears. To change speeds, release the traction lever and shift the speed-selector lever to the desired position ([Figure 29](#)). The lever locks in a notch at each speed selection.

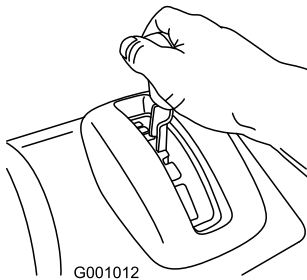


Figure 29

## Operating the Auger/Impeller Drive

1. To engage the auger/ impeller drive, squeeze the right (auger/ impeller) lever to the handgrip ([Figure 30](#)).

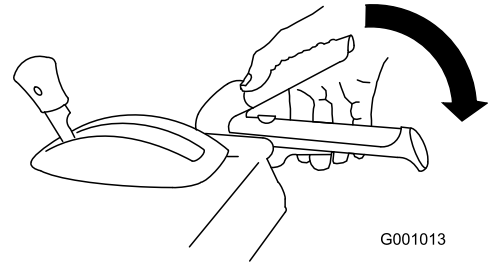


Figure 30

2. To stop the auger and impeller, release the right lever.

**Important:** When you engage both the auger/impeller lever and the traction lever, the traction lever locks the auger/impeller lever down, freeing your right hand. To release both levers, simply release the left (traction) lever.

3. If the auger and impeller continue to rotate when you release the auger/impeller lever, do not operate the machine. Check the auger/impeller cable; refer to [Checking and Adjusting the Auger/Impeller Cable \(page 19\)](#) and adjust it if necessary. Otherwise, take the machine to an Authorized Dealer for service.

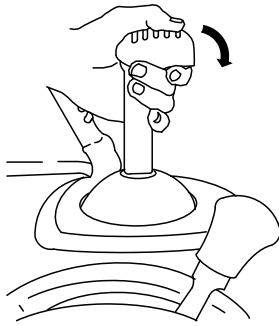
### ⚠ WARNING

If the auger and impeller continue to rotate when you release the auger/impeller lever, do not operate the machine, as you could seriously injure yourself or others.

Take it to an Authorized Service Dealer for service.

## Operating the Quick Stick®

Hold the blue trigger cap down to use the Quick Stick to move the discharge chute and the chute deflector. Release the trigger cap to lock the discharge chute and chute deflector into position (Figure 31).

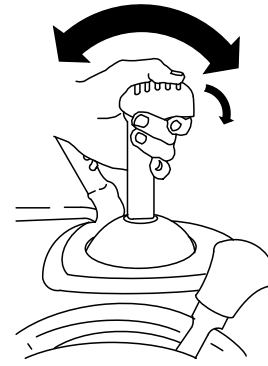


G001014

Figure 31

## Moving the Chute Deflector

Hold the blue trigger cap down and move the Quick Stick forward to lower the chute deflector; move it rearward to raise the chute deflector (Figure 33).



G001016

Figure 33

## Moving the Discharge Chute

Hold the blue trigger cap down and move the Quick Stick to the left to move the discharge chute to the left; move the Quick Stick to the right to move the discharge chute to the right (Figure 32).

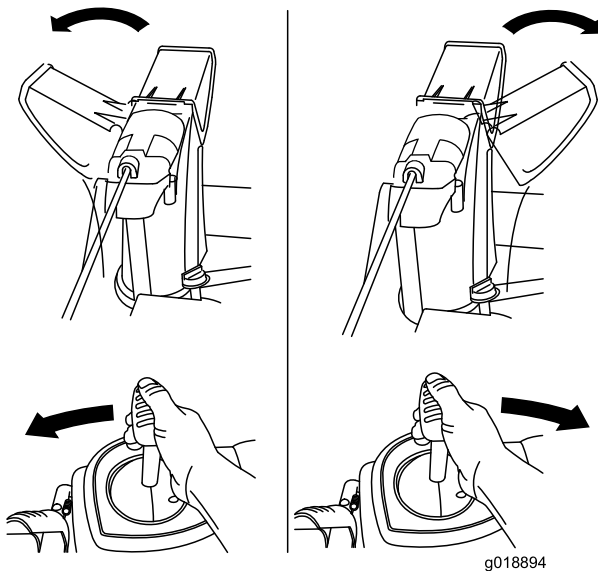


Figure 32

## Unclogging the Discharge Chute

### ⚠ WARNING

If the auger/impeller is running but there is no snow coming out of the discharge chute, the discharge chute may be clogged.

Never use your hands to clear a clogged discharge chute. This could result in personal injury.

- To unclog the discharge chute, stay in the operating position and release the left (traction) lever. While running the auger/impeller, push down on the handles to raise the front of the machine a few centimeters (inches) off the pavement. Then lift the handles quickly to bump the front of the machine on the pavement. Repeat if necessary until a stream of snow comes out the discharge chute.
- If you cannot unclog the discharge chute by bumping the front of the machine, **shut off the engine, wait for all moving parts to stop, and use the snow-cleanout tool; never use your hand.**

**Important:** Unclogging the discharge chute by bumping the front of the machine on the pavement may cause the skids to move. Adjust the skids and tighten the skid bolts securely.

- If the chute does not move, refer to [Adjusting the Discharge-Chute Latch](#) (page 22).
- If the chute does not turn as far to the left as it does to the right, ensure that the cable is routed to the inside of the handles. Refer to [1 Installing the Upper Handle](#) (page 5).
- If the chute does not lock into place when you release the trigger cap, refer to [Adjusting the Discharge-Chute Latch](#) (page 22).



## Operating Tips

### **⚠ DANGER**

When the machine is in operation, the impeller and auger rotate and can injure or amputate hands or feet.

- Before adjusting, cleaning, inspecting, troubleshooting, or repairing the machine, shut off the engine and wait for all moving parts to stop. Disconnect the wire from the spark plug and keep it away from the plug to prevent someone from accidentally starting the engine.
- Remove an obstruction from the discharge chute; refer to [Unclogging the Discharge Chute \(page 15\)](#). If necessary, use the snow-cleanout tool, not your hands, to remove an obstruction from the discharge chute.
- Stay behind the handles and away from the discharge opening while operating the machine.
- Keep face, hands, feet, and any other part of your body or clothing away from concealed, moving, or rotating parts.

### **⚠ WARNING**

The impeller can throw stones, toys, and other foreign objects and cause serious personal injury to the operator or to bystanders.

- Keep the area to be cleared free of all objects that the auger could pick up and throw.
- Keep all children and pets away from the area of operation.
- Always set the throttle to the FAST position when throwing snow.
- If the engine slows down under a load or the wheels slip, shift the machine into a lower gear.
- If the front of the machine rides up, shift the machine into a lower gear. If the front continues to ride up, lift up on the handles.

## After Operation

### Safety

- Never store the machine with fuel in the fuel tank inside a building where ignition sources are present, such as hot water heaters, space heaters, or clothes dryers. Allow the engine to cool before storing in any enclosure.
- When storing the machine for more than 30 days, refer to [Storage \(page 22\)](#) for important details.

## Preventing Freeze-up after Use

- In snowy and cold conditions, some controls and moving parts may freeze. **Do not use excessive force when trying to operate frozen controls.** If you have difficulty operating any control or part, start the engine and let it run for a few minutes.
- After using the machine, let the engine run for a few minutes to prevent moving parts from freezing. Engage the auger/impeller to clear any remaining snow from inside the housing. Rotate the Quick Stick to prevent it from freezing. Shut off the engine, wait for all moving parts to stop, and remove all ice and snow from the machine.
- With the engine off, pull the recoil-start handle several times and push the electric-starter button once to prevent the recoil starter and electric starter from freezing up.



# Maintenance

**Note:** Determine the left and right sides of the machine from the normal operating position.

## Recommended Maintenance Schedule(s)

Maintenance Service Interval	Maintenance Procedure
After the first 2 hours	<ul style="list-style-type: none"> <li>Inspect the traction cable and adjust it if necessary.</li> <li>Inspect the auger/impeller cable and adjust it if necessary.</li> </ul>
After the first 5 hours	<ul style="list-style-type: none"> <li>Change the engine oil.</li> </ul>
Before each use or daily	<ul style="list-style-type: none"> <li>Check the engine-oil level and add oil if necessary.</li> </ul>
Yearly	<ul style="list-style-type: none"> <li>Check the skids and the scraper and adjust them if necessary.</li> <li>Inspect the traction cable and adjust or replace it if necessary.</li> <li>Inspect the auger/impeller cable and adjust or replace it if necessary.</li> <li>Check the auger-gearbox oil and add oil if necessary.</li> <li>Change the engine oil.</li> <li>Lubricate the hex shaft.</li> <li>Replace the spark plug.</li> </ul>
Yearly or before storage	<ul style="list-style-type: none"> <li>Check the air pressure in the tires and inflate them to 116 to 137 kPa (17 to 20 psi).</li> <li>Drain the fuel from the fuel tank and run the engine to dry out the fuel tank and the carburetor at the end of the season.</li> <li>Have an Authorized Service Dealer inspect and replace the traction drive belt and/or the auger/impeller drive belt, if necessary.</li> </ul>

**Important:** You can find more information about maintaining and servicing your machine at [www.Toro.com](http://www.Toro.com).

**Important:** Refer to your engine owner's manual for additional maintenance procedures. For engine adjustments, repairs, or warranty service not covered in this manual, contact an Authorized Briggs & Stratton Servicing Dealer.

## Maintenance Safety

Read the following safety precautions before performing any maintenance on the machine:

- Before performing any maintenance, service, or adjustment, shut off the engine and remove the key. If major repairs are ever needed, contact an Authorized Service Dealer.
- Check all fasteners at frequent intervals for proper tightness to ensure that the machine is in safe working condition.
- Maintain or replace safety and instruction labels, as necessary.
- Do not change the governor settings on the engine.
- Purchase only genuine Toro replacement parts and accessories.

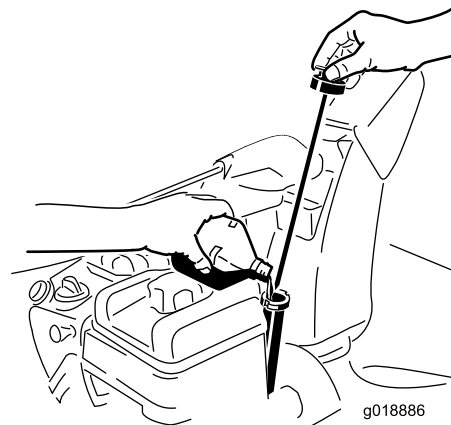
## Preparing for Maintenance

- Move the machine to a level surface.
- Shut off the engine and wait for all moving parts to stop.
- Disconnect the spark-plug wire. Refer to [Replacing the Spark Plug](#) (page 21).

## Checking the Engine-Oil Level

**Service Interval:** Before each use or daily—Check the engine-oil level and add oil if necessary.

- Remove the dipstick, wipe it clean, then fully install the dipstick.
- Remove the dipstick and check the oil level ([Figure 34](#)). If the oil level is below the Add mark on the dipstick, add oil. Refer to [Changing the Engine Oil](#) (page 20).



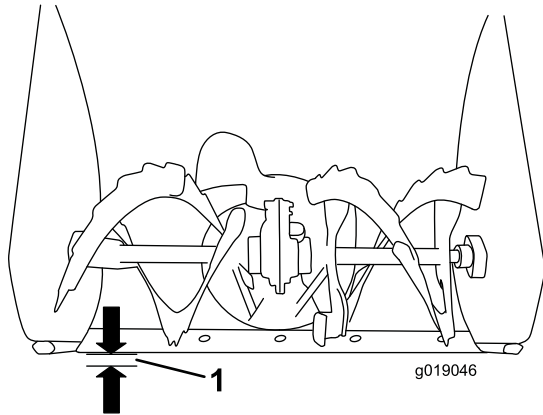
**Figure 34**

# Checking and Adjusting the Skids and Scraper

**Service Interval:** Yearly—Check the skids and the scraper and adjust them if necessary.

Check the skids and the scraper to ensure that the auger does not contact the paved or gravel surface. Adjust the skids and the scraper as needed to compensate for wear.

1. Check the tire pressure; refer to [6 Checking the Tire Pressure](#) (page 8).
2. Loosen the nuts that secure both skids to the auger sides until the skids slide up and down easily.



**Figure 35**

1. 3 mm (1/8 inch)

**Important:** The auger blades must be supported above the ground by the skids.

3. Ensure that the scraper is 3 mm (1/8 inch) above and parallel to a level surface.

**Note:** If the pavement is cracked, rough, or uneven, adjust the skids to raise the scraper. For gravel surfaces, adjust the skids further down to prevent the machine from picking up rocks.

4. Move the skids down until they are even with the ground.
5. Firmly tighten the nuts that secure both skids to the auger sides.

**Note:** To quickly adjust the skids if they loosen, support the scraper 3 mm (1/8 inch) off the pavement, then adjust the skids down to the pavement.

**Note:** If the skids become excessively worn, you can turn them over and set the unused side toward the pavement.

# Checking and Adjusting the Traction Cable

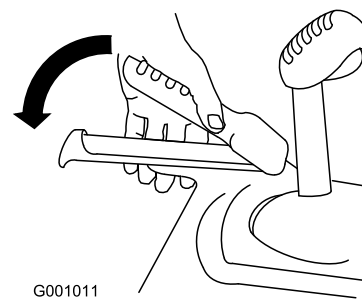
**Service Interval:** After the first 2 hours—Inspect the traction cable and adjust it if necessary.

Yearly—Inspect the traction cable and adjust or replace it if necessary.

If the machine does not drive in the forward or reverse speeds or it drives when you release the traction lever, adjust the traction cable.

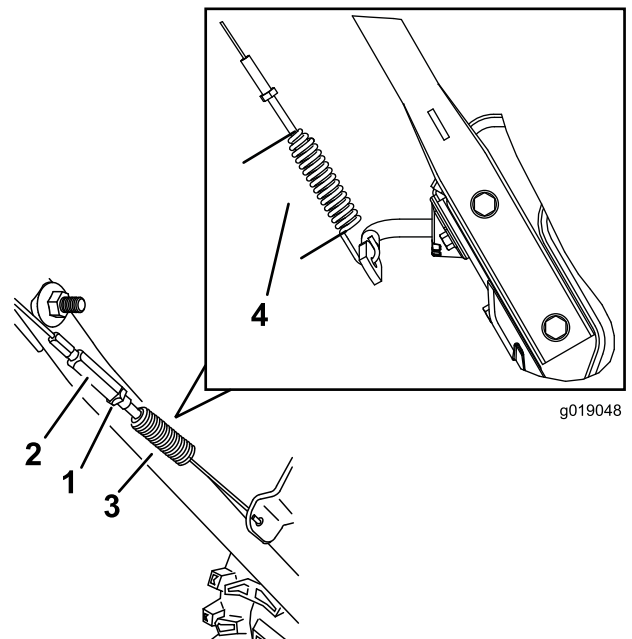
If the left (traction) cable is not properly adjusted, do the following steps:

1. Loosen the jam nut.
2. Engage the traction lever and hold it in place ([Figure 36](#)).



**Figure 36**

3. Loosen or tighten the turnbuckle to adjust the spring length to 5.5 cm (2.18 inches) as shown in [Figure 37](#).



**Figure 37**

- |               |                         |
|---------------|-------------------------|
| 1. Jam nut    | 3. Spring               |
| 2. Turnbuckle | 4. 5.5 cm (2.18 inches) |

4. Tighten the jam nut (Figure 37), ensuring there is slight tension on the cable.
5. If the traction cable is properly adjusted but a problem remains, contact an Authorized Service Dealer.

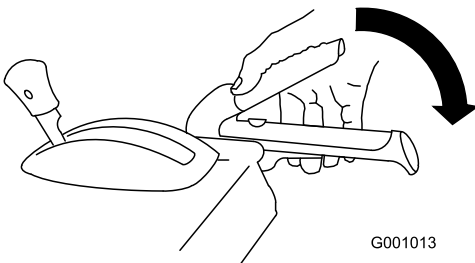
5. If the auger/impeller cable is properly adjusted but a problem remains, contact an Authorized Service Dealer.

## Checking and Adjusting the Auger/Impeller Cable

**Service Interval:** After the first 2 hours—Inspect the auger/impeller cable and adjust it if necessary.

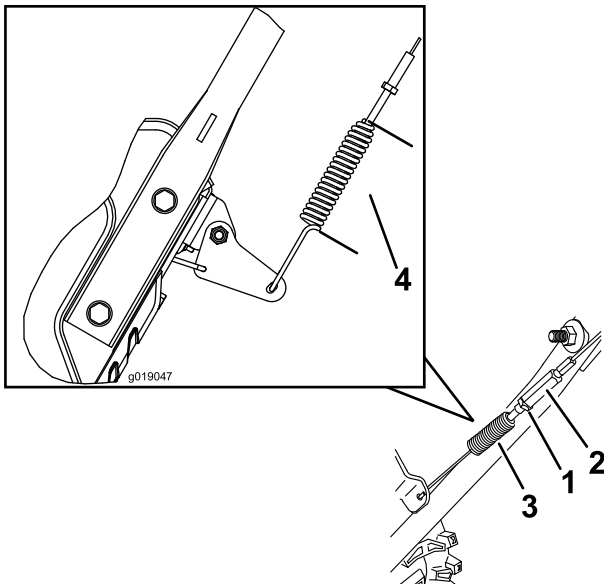
Yearly—Inspect the auger/impeller cable and adjust or replace it if necessary.

1. Loosen the jam nut.
2. Engage the auger/impeller lever and hold it in place (Figure 38).



**Figure 38**

3. Loosen or tighten the turnbuckle to adjust the spring length to 7 cm (2.75 inches) as shown in Figure 39.



**Figure 39**

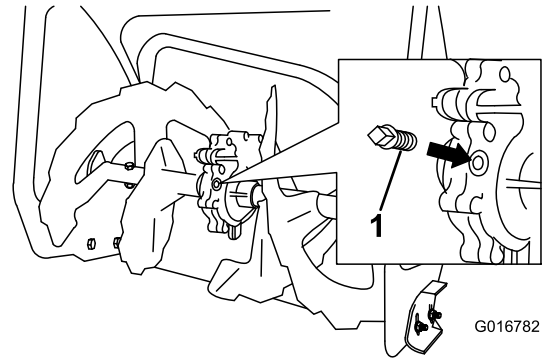
- |               |                       |
|---------------|-----------------------|
| 1. Jam nut    | 3. Spring             |
| 2. Turnbuckle | 4. 7 cm (2.75 inches) |

4. Tighten the jam nut (Figure 39), ensuring there is slight tension on the cable.

## Checking the Auger-Gearbox-Oil Level

**Service Interval:** Yearly—Check the auger-gearbox oil and add oil if necessary.

1. Move the machine to a level surface.
2. Clean the area around the pipe plug (Figure 40).



**Figure 40**

1. Pipe plug

3. Remove the pipe plug from the gearbox.
4. Check the oil level in the gearbox. The oil should be 9.5 mm (3/8 inch) below the filler opening.
5. If the oil level is low, add GL-5 or GL-6, SAE 80-90 EP gear oil lubricant to the gearbox until the oil level is 9.5 mm (3/8 inch) below the filler opening.

**Note:** Do not use synthetic oil.

6. Install the pipe plug in the gearbox.

# Changing the Engine Oil

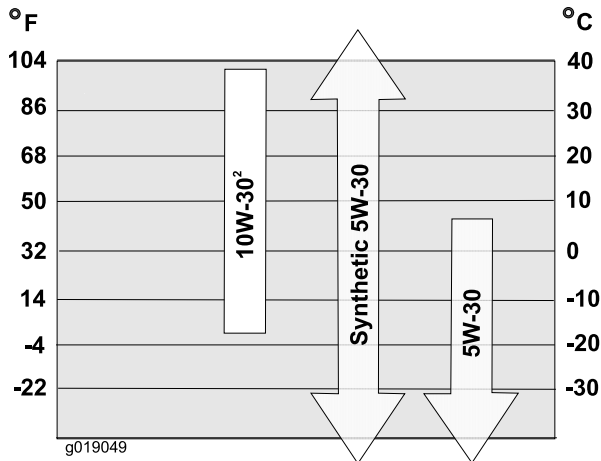
**Service Interval:** After the first 5 hours—Change the engine oil.

Yearly—Change the engine oil.

If possible, run the engine for a few seconds before changing the oil because warm oil flows better and carries more contaminants.

Use automotive detergent oil with an API service classification of SF, SG, SH, SJ, SL, or higher. Refer to your engine owner's manual.

Use [Figure 41](#) below to select the best oil viscosity for the outdoor temperature range expected:

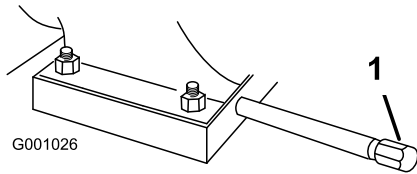


**Figure 41**

## Engine Oil Capacities

Model	Engine Oil Capacity
37772	0.53 to 0.59 L (18 to 20 oz)

1. Clean the area around the oil-drain cap ([Figure 42](#)).



**Figure 42**

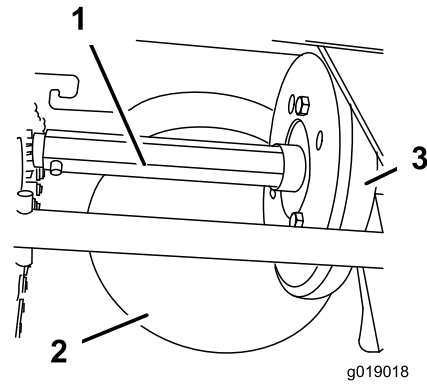
1. Oil-drain cap
2. Slide an oil-drain pan under the drain extension and remove the oil-drain cap.
3. Drain the oil.
 

**Note:** Dispose of the used oil properly at a local recycling center.
4. Install the oil-drain cap.
5. Fill the crankcase with oil.

# Lubricating the Hex Shaft

**Service Interval:** Yearly—Lubricate the hex shaft.

Lightly lubricate the hex shaft yearly with automotive engine oil ([Figure 43](#)).

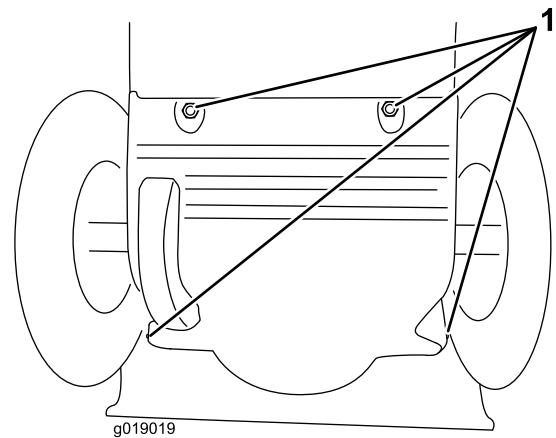


**Figure 43**

1. Hex shaft
2. Steel friction pulley
3. Rubber wheel

**Important:** Do not get oil on the rubber wheel or the steel friction pulley because the traction drive will slip ([Figure 43](#)).

1. Drain the fuel from the fuel tank.
2. Tip the machine forward onto its auger housing and block it so that it cannot fall.
3. Remove the back cover ([Figure 44](#)).



**Figure 44**

1. Screws
4. Move the speed-selector lever to Position R2.
5. Dip your finger in automotive engine oil and **lightly** lubricate hex shaft.
6. Move the speed-selector lever to Position 6.
7. Lubricate the other end of the hex shaft.
8. Move the speed-selector lever forward and rearward a few times.

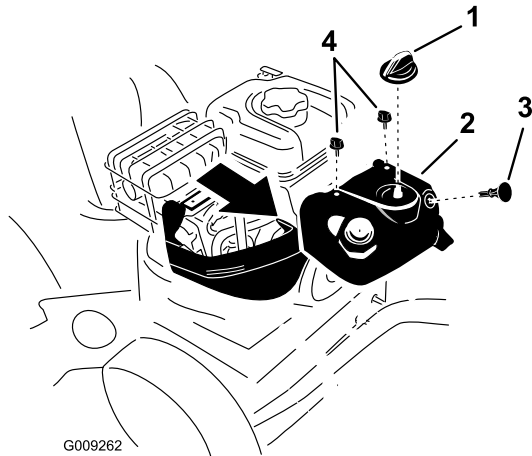
- Install the back cover and return the machine to the operating position.

## Replacing the Spark Plug

**Service Interval:** Yearly—Replace the spark plug.

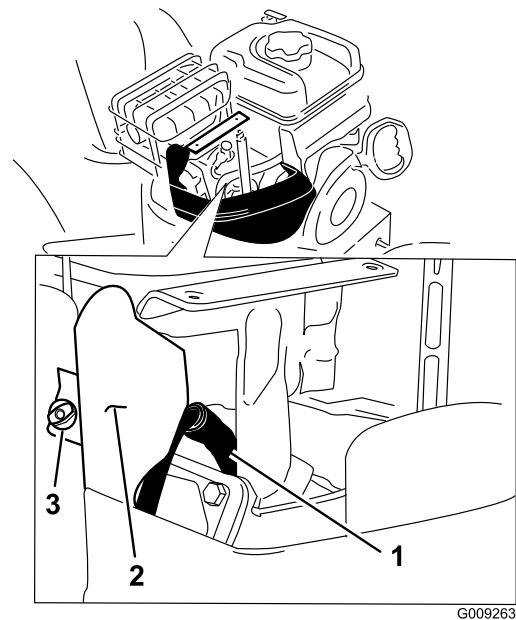
Use a **Champion QC12YC** or equivalent spark plug.

**Note:** To access the spark plug, you must first remove the upper snow hood ([Figure 45](#)).



**Figure 45**

- |                    |                 |
|--------------------|-----------------|
| 1. Choke knob      | 3. Ignition key |
| 2. Upper snow hood | 4. Screw (2)    |



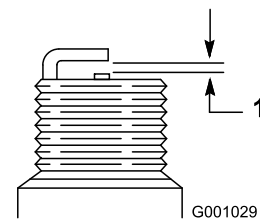
**Figure 46**

- |                    |               |
|--------------------|---------------|
| 1. Spark-plug wire | 3. Thumbscrew |
| 2. Bracket         |               |

- Clean around the base of the spark plug ([Figure 46](#)).
- Remove and discard the old spark plug.

**Note:** You will need a ratchet wrench extension to remove the spark plug.

- Set the gap between the electrodes on a new spark plug at 0.76 mm (0.030 inch) as shown in [Figure 47](#).



**Figure 47**

- 0.76 mm (0.030 inch)

- Install the new spark plug, tighten it firmly, and attach the ignition wire to the spark plug.
- Install the bracket with the thumbscrew that you removed in step 4.
- Ensure that the primer-bulb hose and the ignition wire are connected and clear of the carburetor bracket.
- Secure the upper snow hood to the machine with the 2 screws that you previously removed.
- Align the tab on the choke-control knob with the slot on the upper snow hood.
- Connect the choke-control knob to the choke shaft on the carburetor.

# Adjusting the Discharge-Chute Latch

If the discharge chute does not lock into the desired position or does not unlock so that you can move it to another position, adjust the discharge-chute latch.

1. Loosen the clamp fastener on the chute-support plate until the cable is free.

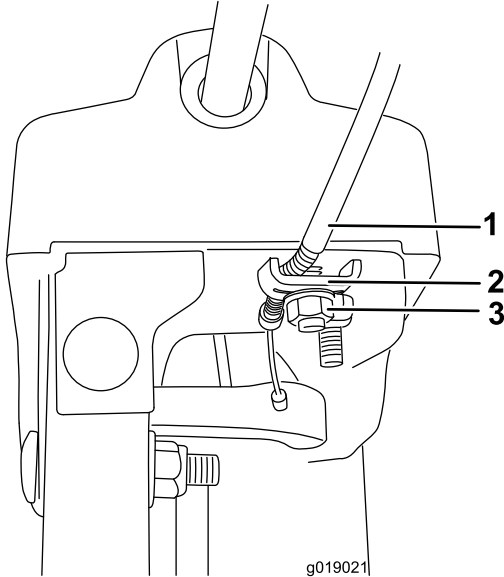


Figure 48

1. Cable conduit
2. Cable clamp
3. Clamp fastener

2. Remove any slack in the cable by pulling the cable conduit rearward.
3. Tighten the clamp fastener while holding the cable in place.

# Replacing the Drive Belts

If the auger/impeller drive belt or the traction drive belt becomes worn, oil-soaked, or otherwise damaged, have an Authorized Service Dealer replace the belt.

# Storage

## ⚠ WARNING

- Fuel vapors can explode.
- Do not store fuel for more than 30 days.
- Do not store the machine in an enclosure near an open flame.
- Allow the engine to cool before storing it.

# Preparing the Machine for Storage

1. On the last refueling of the year, add fuel stabilizer to fresh fuel as directed by the engine manufacturer.  
**Note:** Fuel should not be stored longer than suggested by the fuel-stabilizer manufacturer.
2. Run the engine for 10 minutes to distribute the conditioned fuel through the fuel system.
3. Run the machine until the engine runs out of fuel.
4. Prime the engine and start it again.
5. Allow the engine to run until it shuts off. When you can no longer start the engine, it is sufficiently dry.
6. Shut off the engine and allow it to cool.
7. Remove the ignition key.
8. Clean the machine thoroughly.
9. Touch up chipped surfaces with paint available from an Authorized Service Dealer. Sand affected areas before painting, and use a rust preventative to prevent the metal parts from rusting.
10. Tighten all loose screws, bolts, and locknuts. Repair or replace any damaged parts.
11. Cover the machine and store it in a clean, dry place out of the reach of children.

# Removing the Machine from Storage

1. Remove the spark plug and spin the engine rapidly using the starter to blow the excess oil from the cylinder.
2. Install the spark plug and tighten it firmly.
3. Connect the spark-plug wire.
4. Perform the annual maintenance procedures as given in the Recommended Maintenance Schedule; refer to [Maintenance \(page 17\)](#).

# Troubleshooting

Problem	Possible Cause	Corrective Action
Electric starter does not turn (electric start only).	<ol style="list-style-type: none"> <li>1. The power cord is disconnected at the outlet or the machine.</li> <li>2. The power cord is worn, corroded, or damaged.</li> <li>3. The power outlet is not energized.</li> </ol>	<ol style="list-style-type: none"> <li>1. Connect the power cord to the outlet and/or the machine.</li> <li>2. Replace the power cord.</li> <li>3. Have a qualified electrician energize the outlet.</li> </ol>
Engine does not start or starts hard.	<ol style="list-style-type: none"> <li>1. The key is not in the ignition or is in the STOP position.</li> <li>2. The choke is in the OFF position and the primer has not been pressed.</li> <li>3. The fuel-shutoff valve is not open.</li> <li>4. The throttle is not in the FAST position.</li> <li>5. The fuel tank is empty or the fuel system contains stale fuel.</li> <li>6. The spark-plug wire is loose or disconnected.</li> <li>7. The spark plug is pitted, fouled, or the gap is incorrect.</li> <li>8. The fuel-vent cap is restricted.</li> <li>9. The engine-oil level in the engine crankcase is too low or too high.</li> </ol>	<ol style="list-style-type: none"> <li>1. Insert the key into the ignition and turn it to the ON position.</li> <li>2. Move the choke to the ON position and press the primer 3 times.</li> <li>3. Open the fuel-shutoff valve.</li> <li>4. Move the throttle to the FAST position.</li> <li>5. Drain and/or fill the fuel tank with fresh fuel (not more than 30 days old). If the problem persists, contact an Authorized Service Dealer.</li> <li>6. Connect the wire to the spark plug.</li> <li>7. Check the spark plug and adjust the gap if necessary. Replace the spark plug if it is pitted, fouled, or cracked.</li> <li>8. Remove the vent restriction or replace the fuel cap.</li> <li>9. Add or drain oil to adjust the oil level in the engine crankcase to the Full mark on the dipstick.</li> </ol>
Engine runs rough.	<ol style="list-style-type: none"> <li>1. The choke is in the ON position.</li> <li>2. The fuel-shutoff valve is not completely open.</li> <li>3. The fuel tank is nearly empty or contains stale fuel.</li> <li>4. The spark-plug wire is loose.</li> <li>5. The spark plug is pitted, fouled, or the gap is incorrect.</li> <li>6. The engine-oil level in the engine crankcase is too low or too high.</li> </ol>	<ol style="list-style-type: none"> <li>1. Move the choke to the OFF position.</li> <li>2. Open the fuel-shutoff valve.</li> <li>3. Drain and fill the fuel tank with fresh fuel (not more than 30 days old). If the problem persists, contact an Authorized Service Dealer.</li> <li>4. Connect the wire to the spark plug.</li> <li>5. Check the spark plug and adjust the gap if necessary. Replace the spark plug if it is pitted, fouled, or cracked.</li> <li>6. Add or drain oil to adjust the oil level in the engine crankcase to the Full mark on the dipstick.</li> </ol>

Problem	Possible Cause	Corrective Action
Engine runs, but the machine discharges snow poorly or not at all.	<ol style="list-style-type: none"> <li>1. The throttle is not in the FAST position when throwing snow.</li> <li>2. The machine is moving too fast to clear the snow.</li> <li>3. You are trying to remove too much snow per swath.</li> <li>4. You are trying to remove extremely heavy or wet snow.</li> <li>5. The discharge chute is plugged.</li> <li>6. The auger/impeller drive belt is loose or is off the pulley.</li> <li>7. The auger/impeller drive belt is worn or broken.</li> </ol>	<ol style="list-style-type: none"> <li>1. Move the throttle to the FAST position.</li> <li>2. Shift the machine into a lower gear.</li> <li>3. Reduce the amount of snow removed per swath.</li> <li>4. Don't overload the machine with extremely heavy or wet snow.</li> <li>5. Unclog the discharge chute.</li> <li>6. Install and/or adjust the auger/impeller drive belt; refer to <a href="http://www.Toro.com">www.Toro.com</a> for servicing information or take the machine to an Authorized Service Dealer.</li> <li>7. Replace the auger/impeller drive belt; refer to <a href="http://www.Toro.com">www.Toro.com</a> for servicing information or take the machine to an Authorized Service Dealer.</li> </ol>
Discharge chute either does not lock into place or does not move.	<ol style="list-style-type: none"> <li>1. The discharge-chute latch is not properly adjusted.</li> </ol>	<ol style="list-style-type: none"> <li>1. Adjust the discharge-chute latch.</li> </ol>
The machine does not properly clear the snow off the surface.	<ol style="list-style-type: none"> <li>1. The skids and/or scraper are not properly adjusted.</li> <li>2. The pressure in the tires is not equal.</li> </ol>	<ol style="list-style-type: none"> <li>1. Adjust the skids and/or the scraper.</li> <li>2. Check and adjust the pressure in one or both tires.</li> </ol>



**Notes:**

**Notes:**

**Notes:**



**The Toro Warranty**  
A Three-Year Limited Warranty (45 Day Limited Warranty for Commercial Use)

SnowMaster  
Power Max

**Conditions and Products Covered**

The Toro Company and its affiliate, Toro Warranty Company, pursuant to an agreement between them, jointly promise to repair the Toro Product listed below if used for residential purposes\*, if defective in materials or workmanship or if it stops functioning due to the failure of a component for the period listed below.

This warranty covers the cost of parts and labor, but you must pay transportation costs.

The following time periods apply from the original date of purchase:

<b>Products</b>	<b>Warranty Period</b>
SnowMaster and Power Max Snowthrowers and Attachments	3 years
— Chute	Lifetime (original owner only)
— Deflector	Lifetime (original owner only)
— SnowMaster Lower Chute	Lifetime (original owner only)
— Power Max Anti-Clogging System (Plastic impeller housing cover)	Lifetime (original owner only)

**Limited Warranty for Commercial Use**

Gas-powered Toro Products used for commercial, institutional, or rental use, are warranted for 45 days against defects in materials or workmanship. Components failing due to normal wear are not covered by this warranty.

**Instructions for Obtaining Warranty Service**

If you think that your Toro Product contains a defect in materials or workmanship, follow this procedure:

1. Contact any Authorized Toro Service Dealer to arrange service at their dealership. To locate a dealer convenient to you, refer to the *Yellow Pages* of your telephone directory (look under "Lawn Mowers") or access our web site at [www.Toro.com](http://www.Toro.com). You may also call the numbers listed in item #3 to use the 24-hour Toro Dealer locator system.
2. Bring the product and your proof of purchase (sales receipt) to the Service Dealer. The dealer will diagnose the problem and determine if it is covered under warranty.
3. If for any reason you are dissatisfied with the Service Dealer's analysis or with the assistance provided, contact us at:

Toro Warranty Company  
Customer Care Department, RLC Division  
8111 Lyndale Avenue South  
Bloomington, MN 55420-1196  
Toll free at 866-336-5205 (U.S. customers)  
Toll free at 866-854-9033 (Canadian customers)

**Countries Other than the United States or Canada**

Customers who have purchased Toro products exported from the United States or Canada should contact their Toro Distributor (Dealer) to obtain guarantee policies for your country, province, or state. If for any reason you are dissatisfied with your Distributor's service or have difficulty obtaining guarantee information, contact the Toro importer. If all other remedies fail, you may contact us at Toro Warranty Company.

**Australian Consumer Law**

Australian customers will find details relating to the Australian Consumer Law either inside the box or at your local Toro Dealer.

\*Residential purposes means use of the product on the same lot as your home. Use at more than one location, or institutional or rental use, is considered commercial use, and the commercial use warranty would apply.

**Owner Responsibilities**

You must maintain your Toro Product by following the maintenance procedures described in the *Operator's Manual*. Such routine maintenance, whether performed by a dealer or by you, is at your expense.

**Items and Conditions Not Covered**

There is no other express warranty except for special emission system coverage and engine warranty coverage on some products. This express warranty does not cover the following:

- Cost of regular maintenance service or replacement of wear parts, such as blades, rotor blades (paddles), scraper blades, belts, fuel, lubricants, oil changes, spark plugs, light bulbs, cable/linkage or brake adjustments
- Any product or part which has been altered or misused or neglected or requires replacement or repair due to accidents or lack of proper maintenance
- Pickup and delivery charges
- Operational misuse, neglect, or accidents
- Repairs or attempted repairs by anyone other than an Authorized Toro Service Dealer
- Repairs necessary due to failure to follow recommended fuel procedure (consult *Operator's Manual* for more details)
  - Removing contaminants from the fuel system is not covered
  - Use of old fuel (more than one month old) or fuel which contains more than 10% ethanol or more than 15% MTBE
  - Failure to drain the fuel system prior to any period of non-use over one month

**General Conditions**

All repairs covered by these warranties must be performed by an Authorized Toro Service Dealer using Toro approved replacement parts. Repair by an Authorized Toro Service Dealer is your sole remedy under this warranty.

**Neither The Toro Company nor Toro Warranty Company is liable for indirect, incidental, or consequential damages in connection with the use of the Toro Products covered by these warranties, including any cost or expense of providing substitute equipment or service during reasonable periods of malfunction or non-use pending completion of repairs under these warranties.**

All implied warranties of merchantability (that the product is fit for ordinary use) and fitness for use (that the product is fit for a particular purpose) are limited to the duration of the express warranty.

Some states do not allow exclusions of incidental or consequential damages, or limitations on how long an implied warranty lasts, so the above exclusions may not apply to you.

This warranty gives you specific legal rights, and you may also have other rights which vary from state to state.