



Power Clear® 721 R Snowthrower

Model No. 38741—Serial No. 400010798 and Up

Model No. 38742—Serial No. 400010798 and Up

Operator's Manual

Introduction

⚠ WARNING

CALIFORNIA Proposition 65 Warning

This product contains a chemical or chemicals known to the State of California to cause cancer, birth defects, or reproductive harm.

The engine exhaust from this product contains chemicals known to the State of California to cause cancer, birth defects, or other reproductive harm.

This machine is intended to be used by residential homeowners or professional, hired operators. It is designed primarily for removing snow from paved surfaces, such as driveways and sidewalks, and other surfaces for traffic on residential or commercial properties. It is not designed for removing materials other than snow, nor is it designed for clearing off gravel surfaces.

Read this information carefully to learn how to operate and maintain your machine properly and to avoid injury and machine damage. You are responsible for operating the machine properly and safely.

You may contact Toro directly at www.Toro.com for machine and accessory information, help finding a dealer, or to register your machine.

Whenever you need service, genuine Toro parts, or additional information, contact an Authorized Service Dealer or Toro Customer Service and have the model and serial numbers of your machine ready. [Figure 1](#) identifies the location of the model and serial numbers on the machine. Write the numbers in the space provided.

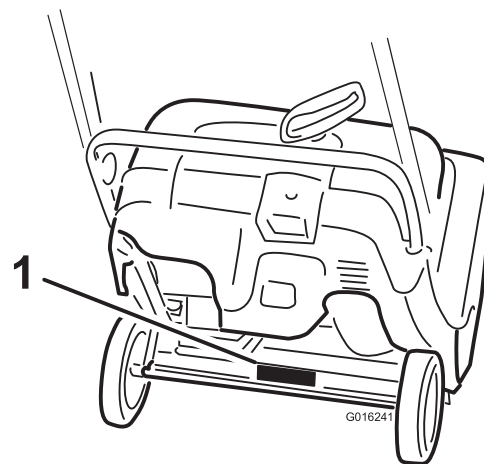


Figure 1

1. Model and serial number location

Model No. _____

Serial No. _____

This manual identifies potential hazards and has safety messages identified by the safety-alert symbol ([Figure 2](#)), which signals a hazard that may cause serious injury or death if you do not follow the recommended precautions.



Figure 2

1. Safety-alert symbol

This manual uses 2 words to highlight information.

Important calls attention to special mechanical information and **Note** emphasizes general information worthy of special attention.

Important: If you are using this machine above 1500 m (5,000 ft) for a continuous period, ensure that the High Altitude Kit has been installed so that the engine meets CARB/EPA emission regulations. The High Altitude Kit increases engine performance while preventing spark-plug fouling, hard starting, and increased emissions. Once you have installed the kit, attach the high-altitude label next to the serial decal on the machine. Contact any Authorized Toro Service Dealer



to obtain the proper High Altitude Kit and high-altitude label for your machine. To locate a dealer convenient to you, access our website at www.Toro.com or contact our Toro Customer Care Department at the number(s) listed in your Emission Control Warranty Statement.

Remove the kit from the engine and restore the engine to its original factory configuration when running the engine under 1500 m (5,000 ft). Do not operate an engine that has been converted for high-altitude use at lower altitudes; otherwise, you could overheat and damage the engine.

If you are unsure whether or not your machine has been converted for high-altitude use, look for the following label (Figure 3).

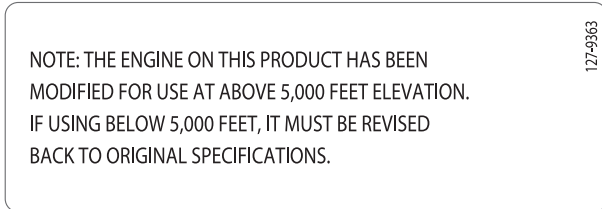


Figure 3

Contents

Introduction	1
Safety	2
Safety and Instructional Decals	3
Setup	4
1 Unfolding the Handle	4
2 Installing the Discharge Chute	4
3 Filling the Engine with Oil.....	5
4 Adjusting the Control Cable	6
Product Overview	6
Operation	6
Before Operation	6
Safety.....	6
Filling the Fuel Tank	7
Checking the Engine-Oil Level.....	7
During Operation	7
Starting the Engine	7
Engaging the Rotor Blades.....	9
Disengaging the Rotor Blades	9
Shutting Off the Engine	9
Adjusting the Discharge Chute	9
Clearing a Clogged Discharge Chute	9
Operating Tips	10
After Operation	10
Safety.....	10
Preventing Freeze-up after Use.....	10
Maintenance	11
Recommended Maintenance Schedule(s)	11
Maintenance Safety.....	11
Adjusting the Control Cable.....	11
Inspecting the Rotor Blades	12

Changing the Engine Oil	13
Servicing the Spark Plug	14
Replacing the Drive Belt.....	15
Storage	16
Storing the Snowthrower	16

Safety

- Read and understand the contents of this *Operator's Manual* before you start the engine. Ensure that everyone using this product knows how to use it and understands the warnings.
- Do not put your hands or feet near moving components on the machine.
- Do not operate the machine without all guards and other safety protective devices in place and working on the machine.
- Keep clear of any discharge opening. Keep bystanders a safe distance away from the machine.
- Keep children out of the operating area. Never allow children to operate the machine.
- Shut off the engine before unclogging, servicing, or fueling the machine.

Safety and Instructional Decals

Important: Safety and instruction decals are located near areas of potential danger. Replace damaged decals.



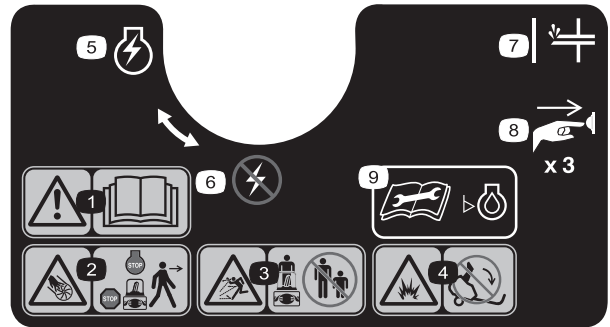
94-2577

1. To engage the rotor blades, hold the control bar against the handle.
2. To disengage the rotor blades, release the control bar.



115-5660

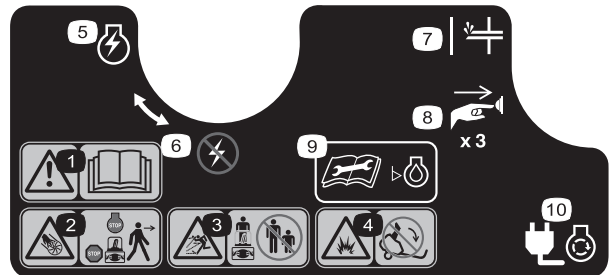
1. Cutting/dismemberment hazards, impeller and auger—do not place your hand in the chute; remove the ignition key and read the instructions before servicing or performing maintenance.



117-9102 (Model 38741 only)

Order Part No. 117-6036

- | | |
|---|--|
| 1. Warning—read the <i>Operator's Manual</i> . | 6. Engine switch off |
| 2. Cutting/dismemberment hazard, impeller—shut off the engine before leaving the machine. | 7. Primer |
| 3. Thrown object hazard—keep bystanders a safe distance away from the machine. | 8. Push the primer 3 times to prime the engine. |
| 4. Fuel spill hazard—do not tip machine backward. | 9. Read the <i>Operator's Manual</i> before checking the engine-oil level. |
| 5. Engine switch on | |



117-9103 (Model 38742 only)

Order Part No. 117-6046

- | | |
|---|--|
| 1. Warning—read the <i>Operator's Manual</i> . | 6. Engine switch off |
| 2. Cutting/dismemberment hazard, impeller—shut off the engine before leaving the machine. | 7. Primer |
| 3. Thrown object hazard—keep bystanders a safe distance away from the machine. | 8. Push the primer 3 times to prime the engine. |
| 4. Fuel spill hazard—do not tip machine backward. | 9. Read the <i>Operator's Manual</i> before checking the engine-oil level. |
| 5. Engine switch on | 10. Plug the machine in to power the electric starter. |

Setup

Loose Parts

Use the chart below to verify that all parts have been shipped.

Procedure	Description	Qty.	Use
1	No parts required	–	Unfold the handle.
2	Discharge chute Chute handle Phillips-head bolt Washer Locknut	1 1 3 3 3	Install the discharge chute.

1

Unfolding the Handle

No Parts Required

Procedure

- Loosen the handle knobs, pull out the U-shaped handle locks until you can move the handle freely, and rotate the handle to the operating position (Figure 4).

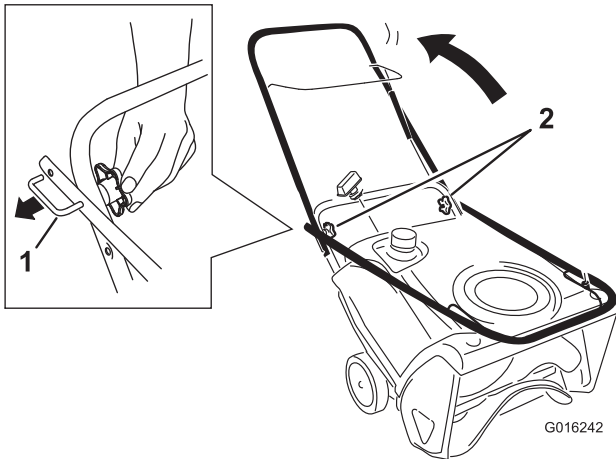


Figure 4

- U-shaped handle lock (2)
- Handle knobs

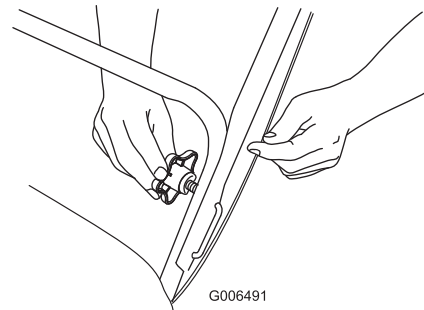


Figure 5

Important: Ensure that you do not pinch or kink the control cable (Figure 6).

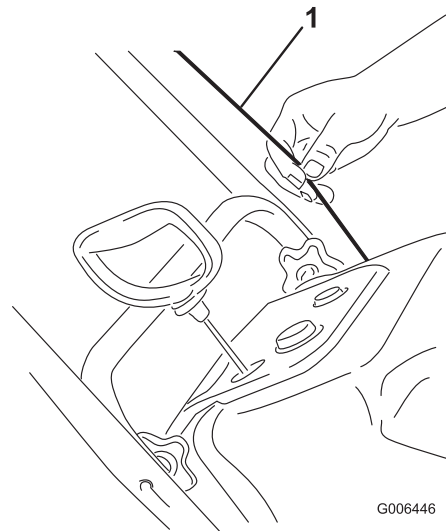


Figure 6

- Control cable

- Insert the end of the U-shaped handle lock into the open hole in the handle and tighten the handle knobs until they are snug (Figure 5).

2

Installing the Discharge Chute

Parts needed for this procedure:

1	Discharge chute
1	Chute handle
3	Phillips-head bolt
3	Washer
3	Locknut

Procedure

Install the discharge chute as shown (Figure 7).

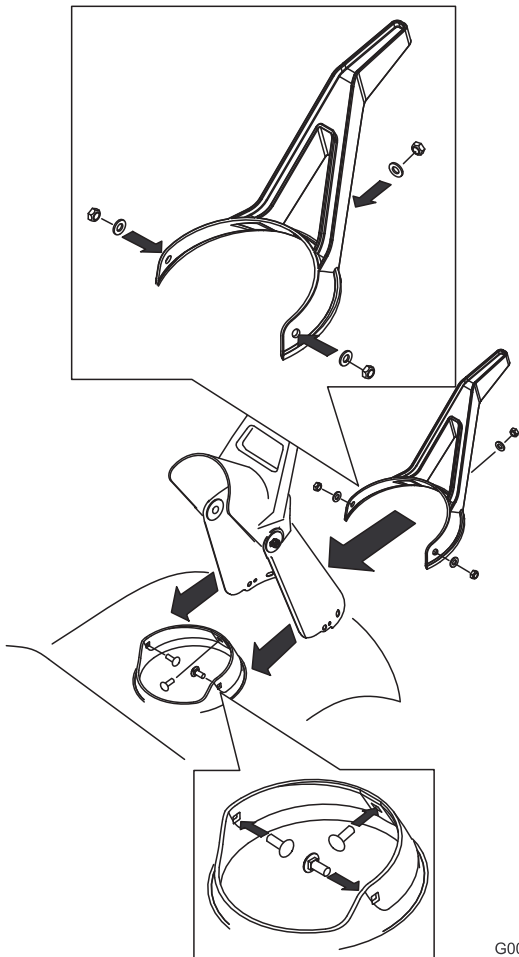


Figure 7

G001118

3

Filling the Engine with Oil

No Parts Required

Procedure

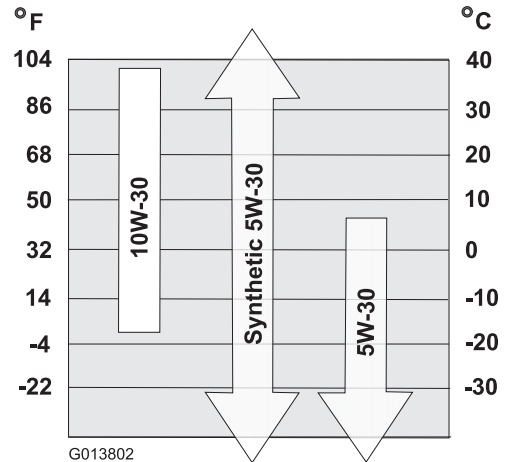
Your machine does not come with oil in the engine, but it does come with a bottle of oil.

Important: Before starting the engine, fill the engine with oil.

Note: The bottle of oil may contain more oil than the engine requires. **Do not overfill or under fill the engine.**

Max fill: 0.60 L (20 oz), type: automotive detergent oil with an API service classification of SJ, SL, or higher.

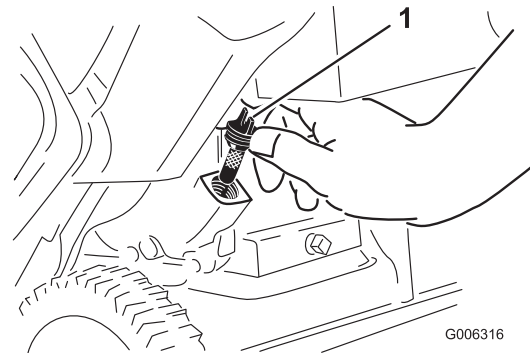
Use Figure 8 below to select the best oil viscosity for the outdoor temperature range expected.



G013802

Figure 8

1. Move the machine to a level surface.
2. Clean around the oil-fill cap (Figure 9).



G006316

Figure 9

1. Oil-fill cap

3. Unscrew the oil-fill cap and remove it.
4. With the machine in the operating position, **carefully** pour oil into the crankcase. Wait 3 minutes for the oil to settle and add enough to bring it to the point of overflow. There should be very little, if any, oil left in the bottle.

Note: You may tip the machine forward (handle up) to make adding oil easier. Remember to return the machine to the operating position before checking the oil level.

Important: Do not tip the machine all the way forward onto its nose, or fuel may leak out of the machine.

5. Screw the oil-fill cap into the oil-fill hole and tighten it securely.

Product Overview

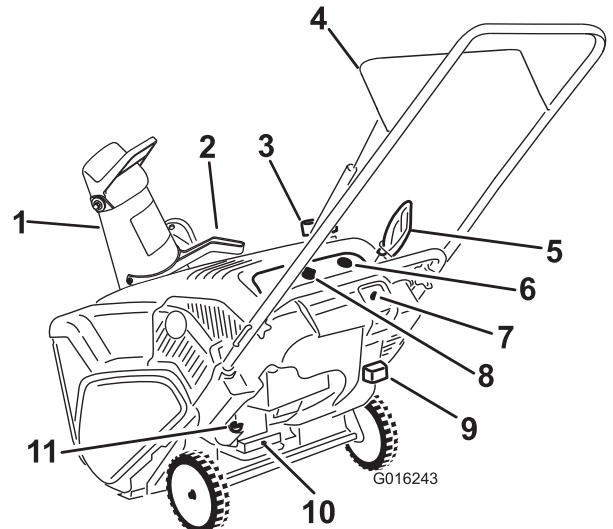


Figure 10

- | | |
|---------------------------|---|
| 1. Discharge chute | 7. Electric-start button (Model 38742 only) |
| 2. Discharge-chute handle | 8. Ignition key |
| 3. Fuel-tank cap | 9. Choke lever |
| 4. Control bar | 10. Oil-drain plug |
| 5. Recoil-start handle | 11. Oil-fill cap |
| 6. Primer | |

4

Adjusting the Control Cable

No Parts Required

Procedure

Refer to (page).

Operation

Before Operation

Safety

- Use extension cords and receptacles as specified by the manufacturer for all machines with electric-starting motors.
- Do not operate the machine without wearing adequate winter garments. Avoid loose fitting clothing that can get caught in moving parts. Wear slip resistant footwear that will improve footing on slippery surfaces.
- Always eye protection during operation or while performing an adjustment or repair to protect your eyes from foreign objects that the machine may throw.
- Thoroughly inspect the area where you will use the machine and remove all doormats, sleds, boards, wires, and other foreign objects.
- If a shield, safety device, or decal is damaged, illegible, or lost, repair or replace it before beginning operation. Also, tighten any loose fasteners.

Filling the Fuel Tank

- For best results, use only clean, fresh (less than 30 days old), unleaded gasoline with an octane rating of 87 or higher ((R+M)/2 rating method).
- **Ethanol:** Gasoline with up to 10% ethanol (gasohol) or 15% MTBE (methyl tertiary butyl ether) by volume is acceptable. Ethanol and MTBE are not the same. Gasoline with 15% ethanol (E15) by volume is not approved for use. **Never use** gasoline that contains more than 10% ethanol by volume, such as E15 (contains 15% ethanol), E20 (contains 20% ethanol), or E85 (contains 85% ethanol). Using unapproved gasoline may cause performance problems and/or engine damage which may not be covered under warranty.
- **Do not** use gasoline containing methanol.
- **Do not** store fuel either in the fuel tank or fuel containers over the winter unless you use a fuel stabilizer.
- **Do not** add oil to gasoline.

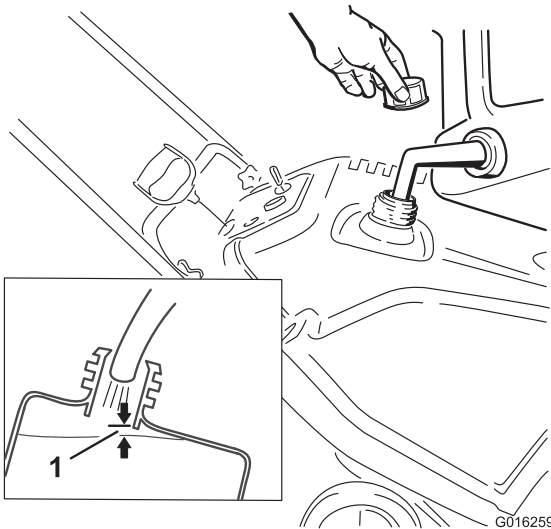


Figure 11

1. 6 mm (1/4 inch)

Note: For best results, purchase only the quantity of gasoline that you expect to use in 30 days. Otherwise, you may add fuel stabilizer to newly purchased gasoline to keep it fresh for up to 6 months.

Checking the Engine-Oil Level

Service Interval: Before each use or daily—Check the engine-oil level and add oil if necessary.

1. Move the machine to a level surface.
2. Clean around the oil-fill cap (Figure 12).

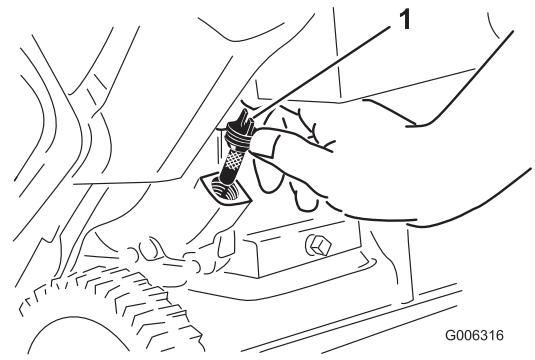


Figure 12

1. Oil-fill cap
 3. Unscrew the oil-fill cap and remove it.
 4. If the oil level is low, keep the machine in the operating position and **carefully** pour oil into the crankcase until the point of overflow. Wait 3 minutes for the oil to settle and add enough to bring it to the point of overflow. (Max. fill: 0.60 L (20 oz), type: automotive detergent oil with an API service classification of SJ, SL, or higher.)
- Note:** You may tip the machine forward (handle up) to make adding oil easier. Remember to return the machine to the operating position before checking the oil level.
- Important:** Do not tip the machine all the way forward onto its nose, or fuel may leak out of the machine.
5. Screw the oil-fill cap into the oil-fill hole and tighten it securely by hand.

During Operation

Starting the Engine

1. Turn the ignition key clockwise to the ON position (Figure 13).

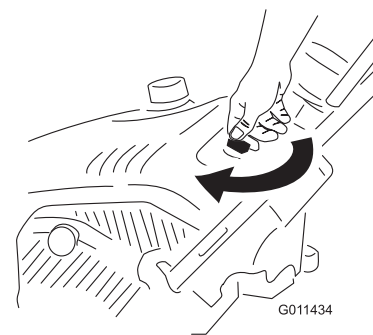


Figure 13

2. Pull out the choke lever (Figure 14 and Figure 15).

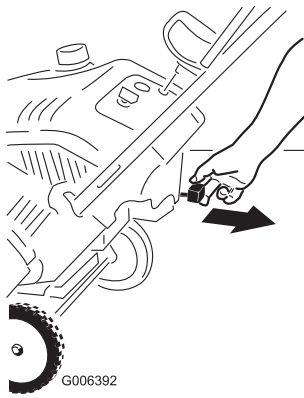


Figure 14

1. Choke lever

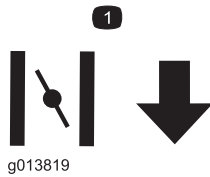


Figure 15

1. Symbols on the choke lever indicating to pull out the choke lever to activate the choke.
-
3. Firmly push in the primer 3 times with your thumb, holding the primer in for a second before releasing it each time (Figure 16).

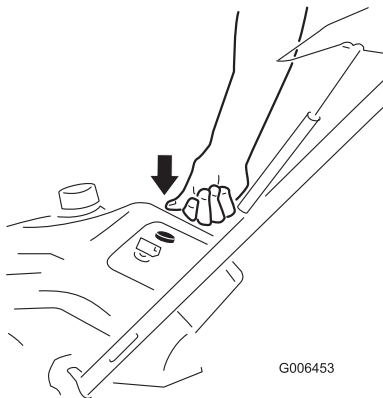


Figure 16

Note: Remove your glove when you push in the primer so that air cannot escape from the primer hole.

Important: Do not use the primer or the choke if the engine has been running and is hot. Excessive priming may flood the engine and prevent it from starting.

4. Connect an extension cord to a power source and the machine, and push the electric-start button (Model 38742 only) (Figure 17), or pull the recoil-start handle (Figure 18).

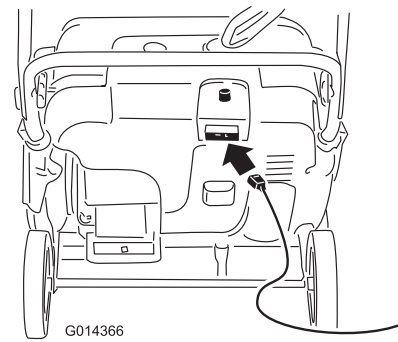


Figure 17

Note: Use only a UL-listed, 16-gauge extension cord recommended for outdoor use that is not longer than 15 m (50 ft).

⚠ WARNING

The electrical cord can become damaged, causing a shock or fire.

Thoroughly inspect the electrical cord before plugging it into a power source. If the cord is damaged, do not use it to start the machine. Replace or repair the damaged cord immediately. Contact an Authorized Service Dealer for assistance.

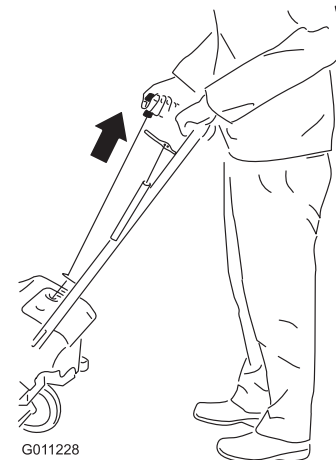


Figure 18

Important: Run the electric starter no more than 10 times at intervals of 5 seconds on, then 5 seconds off. Running the electric starter extensively can overheat and damage it. If the engine does not start after this series of attempts, wait at least 40 minutes to allow the starter to cool before attempting to start it again. If the engine does not start after the second series of attempts, take the machine to an Authorized Service Dealer for service (Model 38742 only).

Note: If you pull the recoil handle and feel no resistance, the starter may be frozen. Thaw out the starter before attempting to start the machine.

5. While the engine is running, push in the choke lever slowly.
6. Unplug the extension cord from the power source and the machine (Model 38742 only).

⚠ CAUTION

If you leave the machine plugged into a power source, someone can inadvertently start the machine and injure people or damage property (Model 38742 only).

Unplug the power cord whenever you are not starting the machine.

Engaging the Rotor Blades

To engage the rotor blades, hold the control bar against the handle (Figure 19).

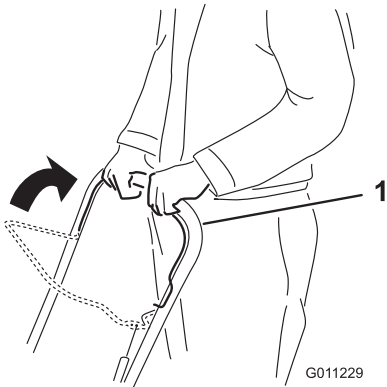


Figure 19

1. Control bar

Disengaging the Rotor Blades

To disengage the rotor blades, release the control bar (Figure 20).

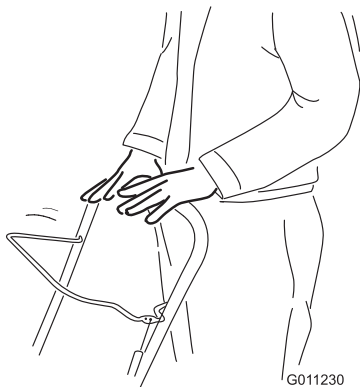


Figure 20

Shutting Off the Engine

To shut off the engine, turn the ignition key counterclockwise to the OFF position (Figure 21).

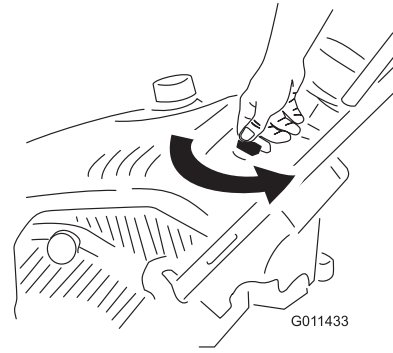


Figure 21

Adjusting the Discharge Chute

To adjust the discharge chute, move the chute handle and the chute-deflector handle as shown (Figure 22).

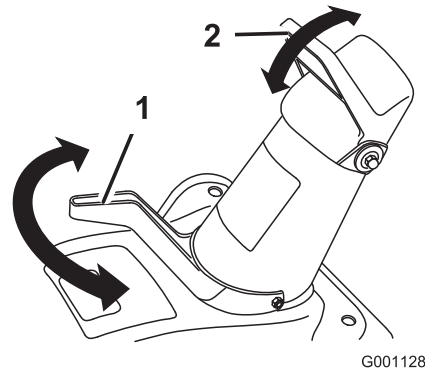


Figure 22

1. Chute handle
2. Chute-deflector handle

Clearing a Clogged Discharge Chute

Important: Hand contact with the rotating rotor blades inside the discharge chute is the most common cause of injury associated with snowthrowers. Never use your hand to clean out the discharge chute.

To clear the chute:

- **Shut off the engine!**
- Wait 10 seconds to ensure that the rotor blades have stopped rotating.
- Always use a clean-out tool, not your hands (Figure 23).



Figure 23

Preventing Freeze-up after Use

- Let the engine run for a few minutes to prevent moving parts from freezing. Shut off the engine, wait for all moving parts to stop, and remove ice and snow from the machine.
- Clean off any snow and ice from the base of the chute.
- Rotate the discharge chute left and right to free it from any ice buildup.
- With the ignition key in the OFF position, pull the recoil-starter handle several times or connect the electrical cord to a power source and the machine and push the electric-start button once to prevent the recoil starter and/or the electric starter from freezing up.
- In snowy and cold conditions, some controls and moving parts may freeze. Do not use excessive force when trying to operate frozen controls. If you have difficulty operating any control or part, start the engine and let it run for a few minutes.

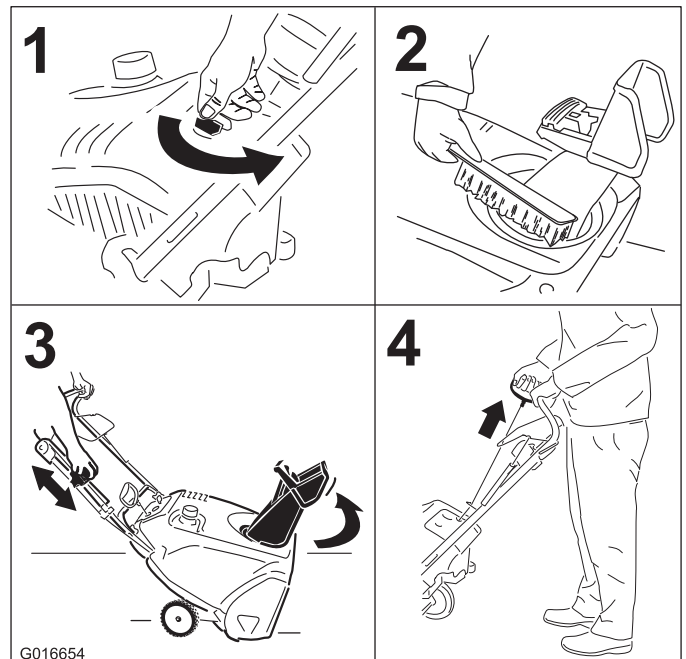


Figure 24

Operating Tips

⚠ WARNING

The rotor blades can throw stones, toys, and other foreign objects and cause serious personal injury to the operator or to bystanders.

- Keep the area to be cleared free of all objects that the rotor blades could pick up and throw.
- Keep all children and pets away from the area of operation.
- Remove the snow as soon as possible after it falls.
- If the machine does not propel itself forward on slippery surfaces or in heavy snow, push forward on the handle, but allow the machine to work at its own pace.
- Overlap each swath to ensure complete snow removal.
- Discharge the snow downwind whenever possible.

After Operation

Safety

- Never store the machine with fuel in the fuel tank inside a building where ignition sources are present, such as hot water heaters, space heaters, or clothes dryers. Allow the engine to cool before storing in any enclosure.
- When storing the machine for more than 30 days, refer to the Storage section for important details.

Maintenance

Note: Determine the left and right sides of the machine from the normal operating position.

Recommended Maintenance Schedule(s)

Maintenance Service Interval	Maintenance Procedure
After the first hour	<ul style="list-style-type: none"> • Check the control cable and adjust it if necessary. • Check for loose fasteners and tighten them if necessary.
After the first 2 hours	<ul style="list-style-type: none"> • Change the engine oil.
Before each use or daily	<ul style="list-style-type: none"> • Check the engine-oil level and add oil if necessary.
Yearly	<ul style="list-style-type: none"> • Check the control cable and adjust it if necessary. • Inspect the rotor blades and have an Authorized Service Dealer replace the rotor blades and scraper if necessary. • Change the engine oil. • Check the spark plug and replace it if necessary. • Check for loose fasteners and tighten them if necessary. • Have an Authorized Service Dealer inspect the drive belt and replace it if necessary.
Yearly or before storage	<ul style="list-style-type: none"> • Prepare the machine for storage.

Maintenance Safety

Read the following safety precautions before performing any maintenance on the machine:

- Before performing any maintenance, service, or adjustment, shut off the engine and remove the key. If major repairs are ever needed, contact an Authorized Service Dealer.
- Check all fasteners at frequent intervals for proper tightness to be sure the machine is in safe working condition.
- Maintain or replace safety and instruction labels, as necessary.
- Do not change the governor settings on the engine.
- Purchase only genuine Toro replacement parts and accessories.

Adjusting the Control Cable

Checking the Control Cable

Service Interval: After the first hour—Check the control cable and adjust it if necessary.

Yearly—Check the control cable and adjust it if necessary.

Move the control bar back toward the handle to remove the slack in the control cable (Figure 25).

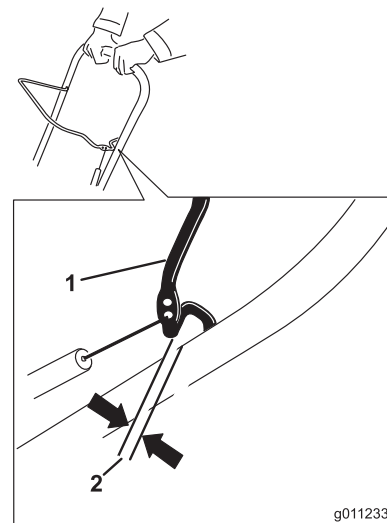


Figure 25

1. Control bar
2. 1/16 inch to 1/8 inch (2 mm to 3 mm) gap

Note: Ensure that a 1/16 inch to 1/8 inch (2 mm to 3 mm) gap exists between the control bar and the handle (Figure 25).

Important: The control cable must contain some slack when you disengage the control bar for the rotor blades to stop properly.

Adjusting the Control Cable

1. Slide up the spring cover and unhook the spring from the adjuster link (Figure 26).

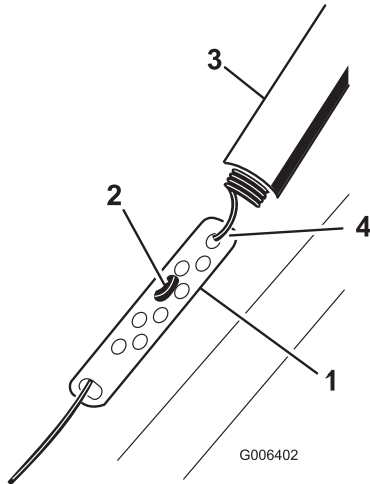


Figure 26

- | | |
|------------------|----------------------------|
| 1. Adjuster link | 3. Spring cover |
| 2. Z-fitting | 4. Unhook the spring here. |

Note: You can pull up the adjuster link and cable to make unhooking the spring easier.

2. Move the Z-fitting to a higher or lower hole on the adjuster link as needed to obtain the 1/16 inch to 1/8 inch (2 mm to 3 mm) gap between the control bar and the handle (Figure 26).

Note: Moving the Z-fitting higher decreases the gap between the control bar and the handle; moving it lower increases the gap.

3. Hook the spring to the adjuster link and slide the spring cover over the adjuster link.
4. Check the adjustment; refer to [Checking the Control Cable](#) (page 11).

Note: After extended use, the drive belt may wear and lose its proper belt tension. If the drive belt slips (continuously squeals) under a heavy load, disconnect the spring from the adjuster link and move the upper end of the spring to the hole that is further from the pivot point in the control bar (Figure 27). Then connect the spring to the adjuster link and adjust the control cable.

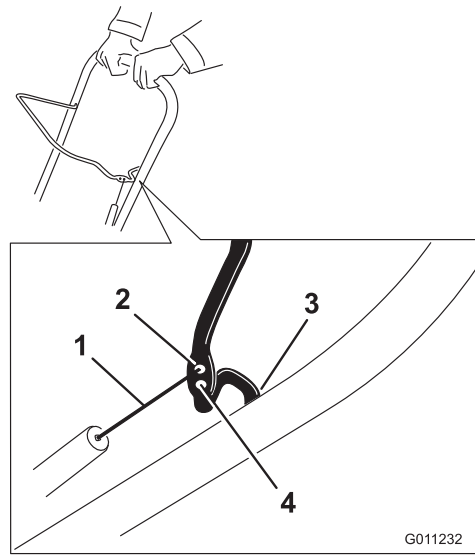


Figure 27

- | | |
|--|--|
| 1. Upper end of spring | 3. Pivot point |
| 2. Insert the upper end of spring into this hole | 4. Remove the upper end of spring from this hole |

Note: The belt may slip (squeal) in wet conditions; to dry out the drive system, start the rotor and run it without a load for 30 seconds.

Inspecting the Rotor Blades

Service Interval: Yearly—Inspect the rotor blades and have an Authorized Service Dealer replace the rotor blades and scraper if necessary.

Before each session, inspect the rotor blades for wear. When a rotor blade edge has worn down to the wear-indicator hole, have an Authorized Service Dealer replace the rotor blades and the scraper (Figure 28).

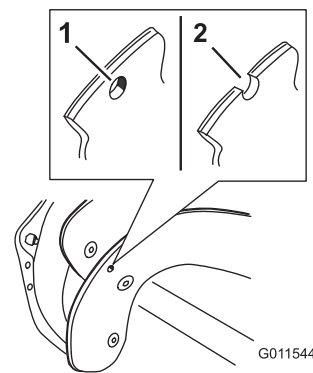


Figure 28

- | | |
|--|--|
| 1. The wear-indicator hole is intact; you do not need to replace the rotor blades. | 2. The wear-indicator hole is exposed; replace the rotor blades. |
|--|--|

Changing the Engine Oil

Service Interval: After the first 2 hours

Yearly

Run the engine a few minutes before changing the oil to warm it. Warm oil flows better and carries more contaminants.

1. Siphon the fuel from the fuel tank into an approved fuel container, or run the engine until it shuts off.
2. Move the machine to a level surface.
3. Place an oil-drain pan under the oil-drain plug, remove the plug, and tip the machine backward and drain the used oil in the pan (Figure 29).

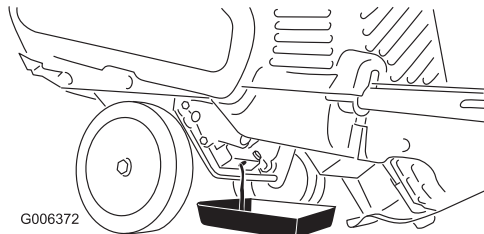


Figure 29

4. After draining the used oil, return the machine to the operating position.
5. Install the oil-drain plug and tighten it securely.
6. Clean around the oil-fill cap (Figure 30).

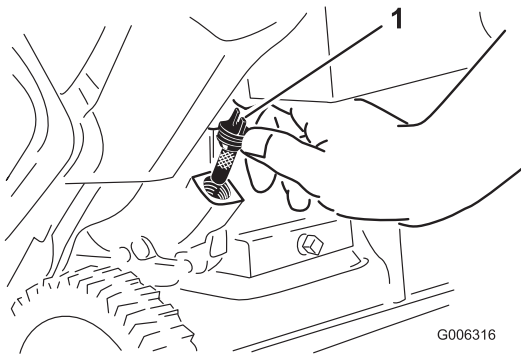


Figure 30

1. Oil-fill cap

7. Unscrew the oil-fill cap and remove it (Figure 30).
8. With the machine in the operating position, **carefully** pour oil into the oil-fill hole. Wait 3 minutes for the oil to settle and add enough to bring it to the point of overflow. There should be very little, if any, oil left in the bottle (Figure 32).

Note: You may tip the machine forward (handle up) to make adding oil easier. Remember to return the machine to the operating position before checking the oil level.

Important: Do not tip the machine all the way forward onto its nose; otherwise, fuel may leak out of the machine.

Max fill: 0.60 L (20 oz), type: automotive detergent oil with an API service classification of SJ, SL, or higher.

Use Figure 31 below to select the best oil viscosity for the outdoor temperature range expected.

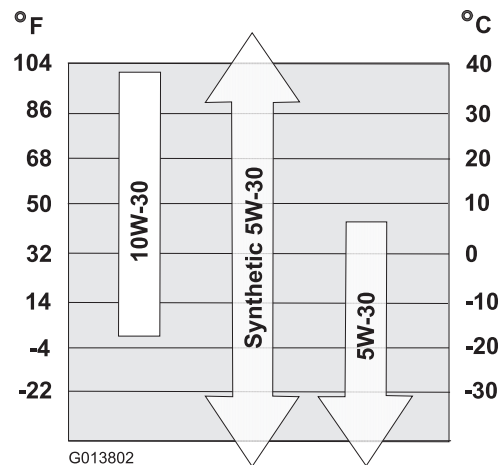


Figure 31

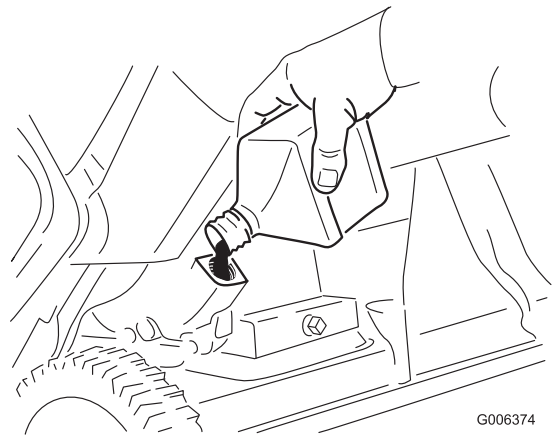


Figure 32

9. Screw the oil-fill cap into the oil-fill hole, and tighten it securely by hand.
10. Wipe up any spilled oil.
11. Dispose of the used oil properly at a local recycling center.

Servicing the Spark Plug

Service Interval: Yearly—Check the spark plug and replace it if necessary.

Use a **NGK BPR6ES** or **Champion RN9YC** spark plug or equivalent.

1. Shut off the engine and wait for all moving parts to stop.
2. Rotate the discharge chute so that it faces forward.
3. Remove the discharge chute by removing the 3 screws holding the chute and the screws holding the chute seal (Figure 33).

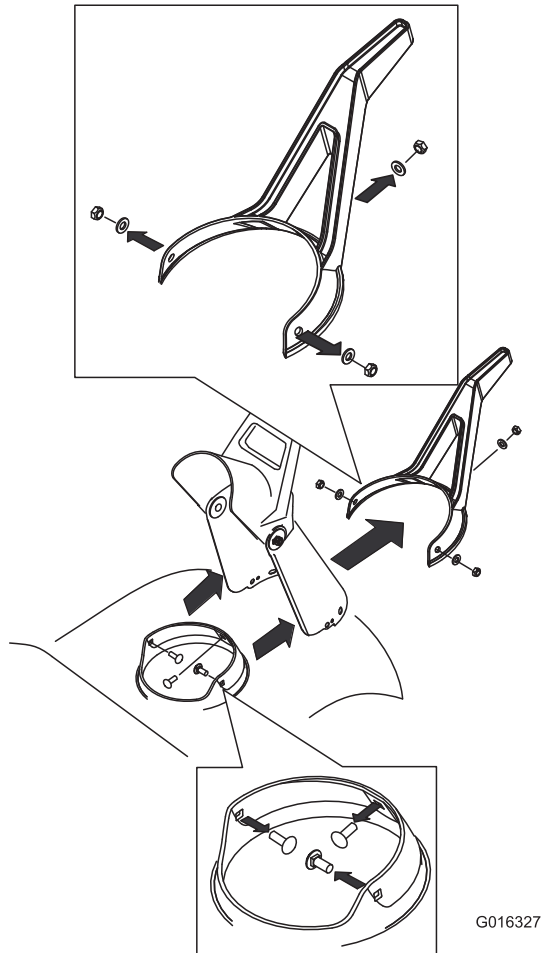


Figure 33

4. Remove the 4 screws that secure the shroud (Figure 34).

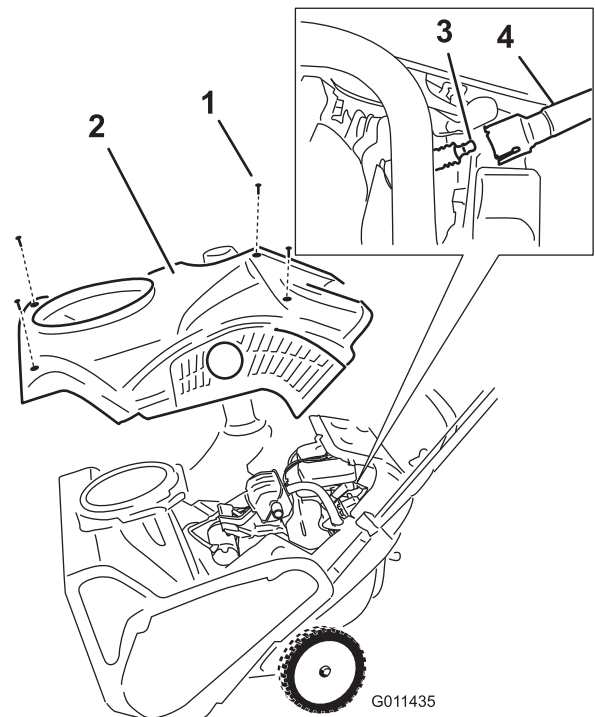


Figure 34

- | | |
|--------------|--------------------|
| 1. Screw (4) | 3. Spark plug |
| 2. Shroud | 4. Spark-plug wire |

5. Remove the fuel-tank cap.
6. Remove the shroud (Figure 34).
7. Install the fuel-tank cap.
8. Disconnect the wire from the spark plug.
9. Clean around the spark plug.
10. Remove the spark plug from the cylinder head.

Important: Replace a cracked, fouled, or dirty spark plug. Do not clean the electrodes because grit entering the cylinder can damage the engine.

11. Set the gap on the plug to 0.030 inch (0.76 mm) as shown in Figure 35.

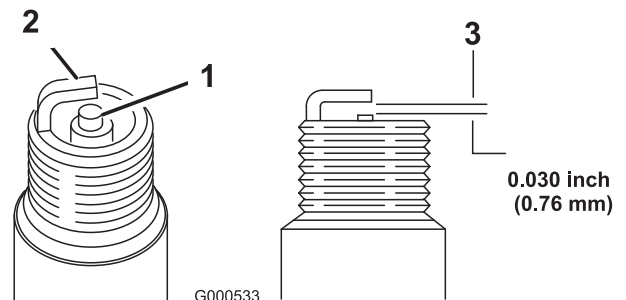


Figure 35

- | | |
|-------------------------------|---------------------------|
| 1. Center-electrode insulator | 3. Air gap (not to scale) |
| 2. Side electrode | |

12. Install the spark plug and torque it to 20 to 22 ft-lb (27 to 30 N-m).

- Connect the wire to the spark plug.

Note: Ensure that the breather tube is routed above the spark plug wire as shown in [Figure 36](#).

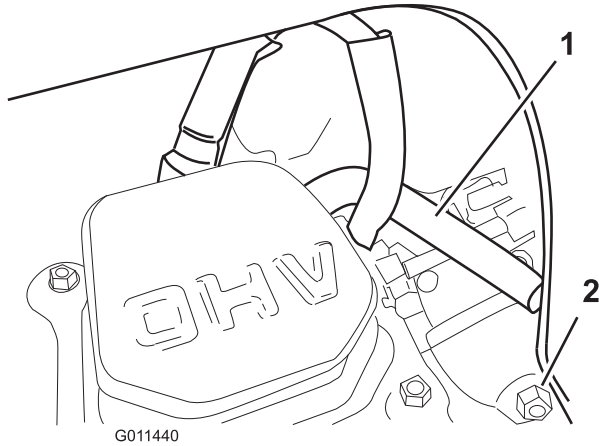


Figure 36

- Breather tube
- Carburetor drain bolt

- Remove the fuel-tank cap.
 - Install the shroud with the screws that you removed in step 4.
- Note:** Ensure that the upper and lower shrouds fit together in the side grooves.
- Install the fuel-tank cap.
 - Install the chute seal, the discharge chute, and the discharge-chute handle onto the machine using the hardware that you removed in step 3.

Note: The small screw goes through the small hole in the chute seal at the front of the discharge-chute opening.

Replacing the Drive Belt

If the drive belt becomes worn, oil-soaked, excessively cracked, frayed, or otherwise damaged, replace the belt.

- Remove the drive belt cover by removing the 3 bolts as shown in [Figure 37](#).

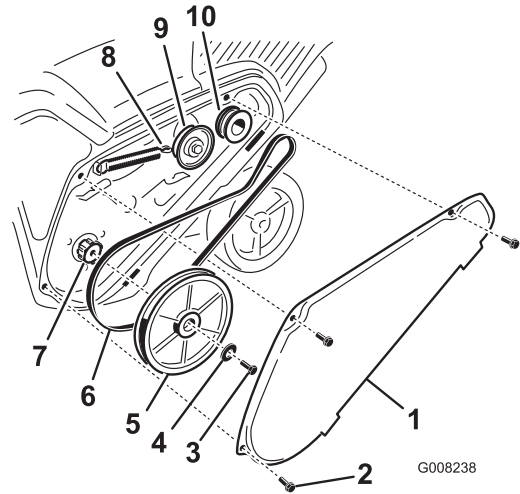


Figure 37

- | | |
|----------------------|--|
| 1. Drive-belt cover | 6. Drive belt |
| 2. Bolt (3) | 7. Rotor shaft |
| 3. Rotor-pulley bolt | 8. Brake spring (unhook from idler arm here) |
| 4. Curved washer | 9. Idler pulley |
| 5. Rotor pulley | 10. Engine pulley |

- Unhook the brake spring from the idler arm to release the belt tension ([Figure 37](#)).
- Remove the screw and curved washer that holds the rotor pulley ([Figure 37](#)).
- Remove the rotor pulley and the drive belt ([Figure 37](#)).
- Install the new drive belt, routing it as shown in ([Figure 38](#)).

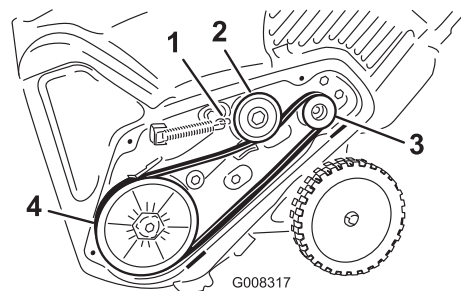


Figure 38

- | | |
|---|------------------|
| 1. Brake spring (install on idler arm here) | 3. Engine pulley |
| 2. Idler pulley | 4. Rotor pulley |

Note: Route the new drive belt first around the engine pulley, then the idler pulley, and finally around the

loose rotor pulley positioned just above the rotor shaft (Figure 37).

6. Install the rotor pulley onto the rotor shaft (Figure 37).
7. Install the curved washer and the rotor-pulley bolt and tighten them securely (Figure 37).

Note: The concave side of the curved washer goes against the outside of the pulley.

8. Install the brake spring onto the idler arm (Figure 38).
9. Install the drive-belt cover with the bolts that you removed in step 1.

Note: Ensure that the drive belt is properly adjusted and operating; refer to [Checking the Control Cable \(page 11\)](#) and [Adjusting the Control Cable \(page 11\)](#).

Storage

Storing the Snowthrower

⚠ WARNING

- **Gasoline fumes are highly flammable, explosive, and dangerous if inhaled. If you store the machine in an area with an open flame, the gasoline fumes may ignite and cause an explosion.**
 - **Do not store the machine in a house (living area), basement, or any other area where ignition sources may be present, such as hot water and space heaters, clothes dryers, furnaces, and other like appliances.**
 - **Do not tip the machine backward with fuel in the fuel tank; otherwise, fuel may leak out of the machine.**
1. On the last refueling of the season, add fuel stabilizer to fresh fuel as directed by the engine manufacturer.
 2. Run the engine for 10 minutes to distribute the conditioned fuel through the fuel system.
 3. Shut off the engine, allow it to cool, and siphon the fuel tank or run the engine until it shuts off.
 4. Start the engine and run it until it shuts off.
 5. Choke or prime the engine, start it a third time, and run the engine until it does not start.
 6. Drain the fuel in the carburetor through the carburetor-drain bolt (Figure 36) into an approved gasoline container.
 7. Dispose of unused fuel properly. Recycle it according to local codes, or use it in your automobile.
 8. While the engine is still warm, change the engine oil. Refer to [Changing the Engine Oil \(page 13\)](#).
 9. Remove the spark plug.
 10. Squirt 2 teaspoons of oil into the spark-plug hole.
 11. Install the spark plug by hand and then torque it to 20 to 22 ft-lb (27 to 30 N-m).
 12. With the ignition key in the OFF position, pull the recoil-start handle slowly to distribute the oil on the inside of the cylinder.
 13. Clean the machine.
 14. Touch up chipped surfaces with paint available from an Authorized Service Dealer. Sand affected areas before painting, and use a rust preventative to prevent the metal parts from rusting.
 15. Tighten any loose fasteners. Repair or replace any damaged parts.

16. Cover the machine and store it in a clean, dry place out of the reach of children. Allow the engine to cool before storing the machine in any enclosure.



Emission Control Warranty Statement

For the United States, California, and Canada



Your Warranty Rights and Obligations

The California Air Resources Board (CARB), the U.S. Environmental Protection Agency (EPA), and The Toro Company, are pleased to explain the emission control system warranty on your 2016–2017 small off-road engine/equipment. In California and the United States, new small off-road engines/equipment must be designed, built, and certified to meet stringent anti-smog standards. The Toro Company warrants the emission control system on your small off-road engine/equipment for the period of time listed below, provided there has been no abuse, neglect, or improper maintenance of your small off-road engine/equipment.

Your emission control system may include parts such as the carburetor, fuel-injection system, the ignition system, catalytic converter, fuel tanks, fuel lines, fuel caps, valves, canisters, filters, vapor hoses, clamps, connectors, and other associated emission-related components.

Where a warrantable condition exists, The Toro Company will repair your small off-road engine/equipment at no cost to you including diagnosis, parts and labor.

Manufacturer's Warranty Coverage

This emission control system is warranted for two years or the duration of The Toro Warranty, whichever is longer. If any emission-related part on your engine/equipment is defective, the part will be repaired or replaced by The Toro Company.

Owner Responsibilities

As the small off-road engine owner, you are responsible for the performance of the required maintenance listed in your *Operator's Manual*. We recommend that you retain all receipts covering maintenance on your small off-road engine/equipment, but we cannot deny warranty solely for the lack of receipts.

As the small off-road engine/equipment owner, you should however be aware that we may deny you warranty coverage if your small off-road engine/equipment or a part has failed due to abuse, neglect, improper maintenance or unapproved modifications.

You are responsible for presenting your small off-road engine/equipment to a Toro Distribution Center or Service Center as soon as a problem exists. The warranty repairs should be completed in a reasonable amount of time, not to exceed thirty (30) days.

If you have any questions regarding your warranty coverage, contact us at:

Customer Care Department, Consumer Division
Toro Warranty Company
8111 Lyndale Avenue South
Bloomington, MN 55420-1196
1-888-384-9939 (U.S. and Canadian customers)
email Customer Support at: www.toro.com

General Emissions Warranty Coverage

The Toro Company warrants to the ultimate purchaser and each subsequent purchaser that the small off-road engine/equipment is:

- Designed, built, and certified to conform with all applicable emissions regulations; and
- Free from defects in materials and workmanship that could cause the failure of a warranted part; and
- Identical in all material respects to the parts as described in the application for certification.

The warranty period begins on the date the small off-road engine/equipment is delivered to an ultimate purchaser. The warranted period is two years or the duration of The Toro Warranty, whichever is longer.

Subject to certain conditions and exclusions as stated below, the warranty on evaporative emissions-related parts is as follows:

1. Any warranted part that is not scheduled for replacement as required maintenance in the written instructions supplied, is warranted for the warranty period stated above. If the part fails during the period of warranty coverage, the part will be repaired or replaced by The Toro Company. Any such part repaired or replaced under warranty will be warranted for the remainder of the warranty period.
2. Any warranted part that is scheduled only for regular inspection in the written instructions supplied is warranted for the warranty period stated above. Any such part repaired or replaced under the warranty will be warranted for the remainder of the warranty period.
3. Any warranted part that is scheduled for replacement as required maintenance in the written instructions supplied is warranted for the period of time before the first scheduled replacement date for that part. If the part fails before the first scheduled replacement, the part will be repaired or replaced by The Toro Company. Any such part repaired or replaced under warranty will be warranted for the remainder of the period prior to the first scheduled replacement point for the part.
4. Repair or replacement of any warranted part under the warranty provisions herein must be performed at an Authorized Service Dealer at no charge to the owner.
5. Warranty services or repairs will be provided at all Service Dealers authorized to service the subject engines or equipment.
6. The small off-road engine/equipment owner will not be charged for diagnostic labor that is directly associated with diagnosis of a defective, emission-related warranted part, provided that such diagnostic work is performed at an Authorized Service Dealer.
7. The Toro Company is liable for damages to other engine/equipment components caused by a failure under warranty of any warranted part.
8. Throughout the small off-road engine/equipment warranty period stated above, The Toro Company will maintain a supply of warranted parts sufficient to meet the expected demand for such parts.
9. Manufacturer approved replacement parts may be used in the performance of any warranty maintenance or repairs and must be provided without charge to the owner. Such use will not reduce the warranty obligations of The Toro Company.
10. Add-on or modified parts that are not approved by The Toro Company may not be used. The use of a non-approved add-on or modified parts by the purchaser will be grounds for disallowing a warranty claim. The Toro Company will not be liable to warrant failures of warranted parts caused by the use of a non-approved add-on or modified parts.

Warranted Parts

The following emission warranty parts are covered, to the extent these parts were present on the Toro engine/equipment and/or Toro supplied fuel system:

1. Fuel System Parts
 - Carburetor and internal parts
 - Cold starting enrichment (primer or choke)
 - Fuel pump
 - Fuel line, fittings, and clamps
 - Fuel tank, cap, and tether
 - Carbon canister
2. Air Induction System
 - Air cleaner
 - Intake manifold
 - Crankcase vent and line(s)
 - Purge line and fittings
3. Ignition System
 - Spark plug(s) and wire(s)
 - Magneto ignition system
4. Catalytic Exhaust System
 - Catalytic converter
 - Exhaust manifold
 - Air injector system and valve(s)
5. Miscellaneous Items Used in Emission Control System
 - Valves, switches, and linkages
 - Connectors, fittings, and brackets



The Toro Warranty and The Toro 2-Year GTS Starting Guarantee

A Two-Year Full Warranty (45 Day Limited Warranty for Commercial Use)

Power Clear
Single-Stage Snowthrowers

The Toro Starting Guarantee

The Toro Company and its affiliate, Toro Warranty Company, pursuant to an agreement between them, jointly guarantee that your Toro GTS (Guaranteed to Start) engine, when used for residential purposes*, will start on the first or second pull for two (2) years from the date of purchase, if you provide the routine maintenance it requires, or we will fix it free of charge. The GTS Starting Guarantee does not apply under commercial use.

This warranty covers the cost of parts and labor, but you must pay transportation costs.

The Toro Total Coverage Guarantee

The Toro Company and its affiliate, Toro Warranty Company, pursuant to an agreement between them, jointly promise to repair the Toro Product listed below if used for residential purposes*, if defective in materials or workmanship or if it stops functioning due to the failure of a component for the period listed below.

This warranty covers the cost of parts and labor, but you must pay transportation costs.

The following time periods apply from the original date of purchase:

Products	Warranty Period
Power Clear Snowthrowers and Attachments	2 years

Limited Warranty for Commercial Use

Gas-powered Toro Products used for commercial, institutional, or rental use, are warranted for 45 days against defects in materials or workmanship. Components failing due to normal wear are not covered by this warranty.

Instructions for Obtaining Warranty Service

If you think that your Toro Product contains a defect in materials or workmanship, follow this procedure:

1. Contact any Authorized Toro Service Dealer to arrange service at their dealership. To locate a dealer convenient to you, access our web site at www.Toro.com. You may also call the numbers listed in item #3 to use the 24-hour Toro Dealer locator system.
2. Bring the product and your proof of purchase (sales receipt) to the Service Dealer. The dealer will diagnose the problem and determine if it is covered under warranty.
3. If for any reason you are dissatisfied with the Service Dealer's analysis or with the assistance provided, contact us at:

Toro Warranty Company
Customer Care Department, RLC Division
8111 Lyndale Avenue South
Bloomington, MN 55420-1196
Toll free at 866-336-5205 (U.S. customers)
Toll free at 866-854-9033 (Canadian customers)

Owner Responsibilities

You must maintain your Toro Product by following the maintenance procedures described in the *Operator's Manual*. Such routine maintenance, whether performed by a dealer or by you, is at your expense.

Countries Other than the United States or Canada

Customers who have purchased Toro products exported from the United States or Canada should contact their Toro Distributor (Dealer) to obtain guarantee policies for your country, province, or state. If for any reason you are dissatisfied with your Distributor's service or have difficulty obtaining guarantee information, contact the Toro importer. If all other remedies fail, you may contact us at Toro Warranty Company.

Australian Consumer Law: Australian customers will find details relating to the Australian Consumer Law either inside the box or at your local Toro Dealer.

*Residential purposes means use of the product on the same lot as your home. Use at more than one location, or institutional or rental use, is considered commercial use, and the commercial use warranty would apply.

Items and Conditions Not Covered

There is no other express warranty except for special emission system coverage and engine warranty coverage on some products. This express warranty does not cover the following:

- Cost of regular maintenance or replacement of wear parts, such as rotor blades (paddles), scraper blades, belts, fuel, lubricants, oil changes, spark plugs, light bulbs, cable/linkage or brake adjustments
- Any product or part which has been altered or misused or requires replacement or repair due to accidents or lack of proper maintenance
- Pickup and delivery charges
- Operational misuse, neglect, or accidents
- Repairs or attempted repairs by anyone other than an Authorized Toro Service Dealer
- Repairs necessary due to failure to follow recommended fuel procedure (consult *Operator's Manual* for more details)
 - Removing contaminants from the fuel system is not covered
 - Use of old fuel (more than one month old) or fuel which contains more than 10% ethanol or more than 15% MTBE
 - Failure to drain the fuel system prior to any period of non-use over one month
- Repairs or adjustments to correct starting difficulties due to the following:
 - Failure to follow proper maintenance procedures
 - Snowthrower auger/paddles striking an object
 - Contaminants in the fuel system
 - Improper fuel (consult your *Operator's Manual* if in doubt)
 - Failure to drain the fuel system prior to any period of non-use over one month
- Special operational conditions where starting may require more than two pulls:
 - First time starts after extended period of non-use over three months or seasonal storage
 - Improper starting procedures
 - Starting in -10° F (-23° C) or below temperatures

If you are having difficulty starting your unit, please check the *Operator's Manual* to ensure that you are using the correct starting procedures. This can save an unnecessary visit to a Service Dealer.

General Conditions

All repairs covered by these warranties must be performed by an Authorized Toro Service Dealer using Toro approved replacement parts. Repair by an Authorized Toro Service Dealer is your sole remedy under this warranty.

Neither The Toro Company nor Toro Warranty Company is liable for indirect, incidental, or consequential damages in connection with the use of the Toro Products covered by these warranties, including any cost or expense of providing substitute equipment or service during reasonable periods of malfunction or non-use pending completion of repairs under these warranties.

Some states do not allow exclusions of incidental or consequential damages, so the above exclusions may not apply to you.

This warranty gives you specific legal rights, and you may also have other rights which vary from state to state.



Souffleuse à neige Power Clear® 721 R

N° de modèle 38741—N° de série 400010798 et suivants

N° de modèle 38742—N° de série 400010798 et suivants

Manuel de l'utilisateur

Introduction

⚠ ATTENTION

CALIFORNIE

Proposition 65 - Avertissement

Ce produit contient une ou des substances chimiques considérées par l'état de Californie comme capables de provoquer des cancers, des anomalies congénitales ou d'autres troubles de la reproduction.

Les gaz d'échappement de ce produit contiennent des substances chimiques considérées par l'état de Californie comme susceptibles de provoquer des cancers, des malformations congénitales et autres troubles de la reproduction.

Cette machine est destinée au grand public, aux professionnels et aux utilisateurs temporaires. Elle est conçue principalement pour déblayer la neige sur les surfaces revêtues, telles allées et trottoirs, et autres surfaces de circulation des propriétés résidentielles et commerciales. Elle n'est pas conçue pour enlever autre chose que la neige ni pour nettoyer le gravier.

Lisez attentivement ces informations pour apprendre comment utiliser et entretenir correctement votre machine, et éviter de l'endommager ou de vous blesser. Vous êtes responsable de l'utilisation sûre et correcte de la machine.

Vous pouvez contacter Toro directement à www.Toro.com pour tout renseignement concernant la machine ou un accessoire, pour obtenir l'adresse des dépositaires ou pour enregistrer votre machine.

Pour obtenir des prestations de service, des pièces Toro d'origine ou des renseignements complémentaires, munissez-vous des numéros de modèle et de série du produit et contactez un dépositaire-réparateur ou le service client Toro agréé. La [Figure 1](#) indique l'emplacement des numéros de modèle et de série de la machine. Inscrivez les numéros dans l'espace réservé à cet effet.

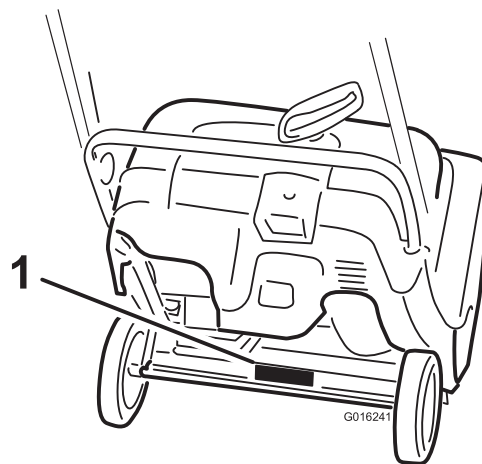


Figure 1

1. Emplacement des numéros de modèle et de série

N° de modèle _____

N° de série _____

Les mises en garde de ce manuel soulignent des dangers potentiels et sont signalées par le symbole de sécurité ([Figure 2](#)), qui indique un danger pouvant entraîner des blessures graves ou mortelles si les précautions recommandées ne sont pas respectées.



Figure 2

1. Symbole de sécurité

Ce manuel utilise deux termes pour faire passer des renseignements essentiels. **Important**, pour attirer l'attention sur des renseignements mécaniques spécifiques et **Remarque**, pour insister sur des renseignements d'ordre général méritant une attention particulière.

Important: Si vous utilisez la machine au-dessus de 1 500 m (5 000 pi) pendant une période continue, veillez à installer le kit pour haute altitude pour que le moteur réponde aux normes antipollution CARB/EPA. Le kit pour haute altitude accroît les performances du moteur tout en prévenant l'encrassement des bougies, les difficultés de démarrage et l'augmentation des



émissions polluantes. Après avoir installé le kit, apposez l'étiquette de haute altitude près de l'autocollant du numéro de série sur la machine. Contactez un dépositaire-réparateur Toro agréé pour vous procurer le kit pour haute altitude et l'étiquette associée pour votre machine. Pour trouver le dépositaire le plus proche, consultez notre site web à www.Toro.com ou contactez le service client de Toro au(x) numéro(s) indiqué(s) dans votre Déclaration de garantie de conformité à la réglementation antipollution.

Déposez le kit du moteur et rétablissez la configuration d'origine du moteur si vous devez utiliser la machine en dessous de 1 500 m (5 000 pi). Si le moteur a été converti pour l'usage à haute altitude, ne le faites pas tourner à plus basse altitude, au risque de le faire surchauffer et de l'endommager.

En cas de doute concernant la conversion de votre machine pour l'usage à haute altitude, consultez l'étiquette suivant (Figure 3).



Figure 3

Prévention du blocage par le gel après utilisation.....	12
Entretien	13
Programme d'entretien recommandé	13
Consignes de sécurité pendant l'entretien	13
Réglage du câble de commande	13
Contrôle des pales du rotor	14
Vidange de l'huile moteur	15
Entretien de la bougie	16
Remplacement de la courroie d'entraînement.....	17
Remisage	18
Remisage de la souffleuse à neige	18

Sécurité

- Vous devez lire et comprendre le contenu de ce *manuel de l'utilisateur* avant de démarrer le moteur. Assurez-vous que tous les utilisateurs de ce produit en connaissent le maniement et comprennent les mises en garde.
- N'approchez pas les mains ou les pieds des composants mobiles de la machine.
- N'utilisez pas la machine si tous les capots et autres dispositifs de protection appropriés ne sont pas en place et en bon état de marche.
- Ne vous tenez pas devant l'ouverture d'éjection. Tenez tout le monde à une distance suffisante de la machine.
- N'admettez pas les enfants dans la zone de travail. Ne confiez jamais l'utilisation de la machine à un enfant.
- Coupez le moteur avant de déboucher, de faire l'entretien ou de faire le plein de la machine.

Table des matières

Introduction	1
Sécurité	2
Autocollants de sécurité et d'instruction	3
Mise en service	5
1 Dépliage du guidon	5
2 Montage de la goulotte	5
3 Plein d'huile moteur	6
4 Réglage du câble de commande	7
Vue d'ensemble du produit	7
Utilisation	7
Avant l'utilisation	7
Sécurité	7
Remplissage du réservoir de carburant	8
Contrôle du niveau d'huile moteur	8
Pendant l'utilisation	9
Démarrage du moteur	9
Engager les pales du rotor	10
Désengager les pales du rotor	10
Arrêt du moteur	11
Réglage de la goulotte	11
Débouchage de la goulotte	11
Conseils d'utilisation	11
Après l'utilisation	12
Sécurité	12

Autocollants de sécurité et d'instruction

Important: Les autocollants de sécurité et d'instruction sont placés près des endroits potentiellement dangereux. Remplacez les autocollants endommagés.



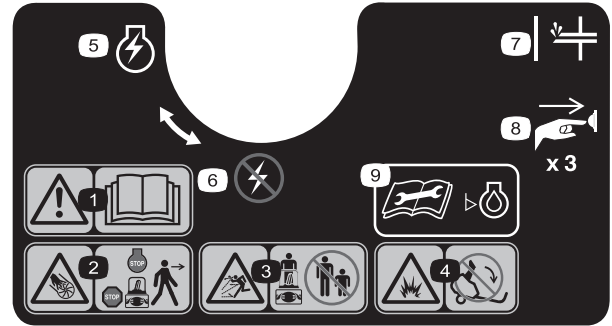
94-2577

1. Serrez la barre de commande contre le guidon pour engager les pales du rotor.
2. Pour désengager les pales du rotor, relâchez la barre de commande.



115-5660

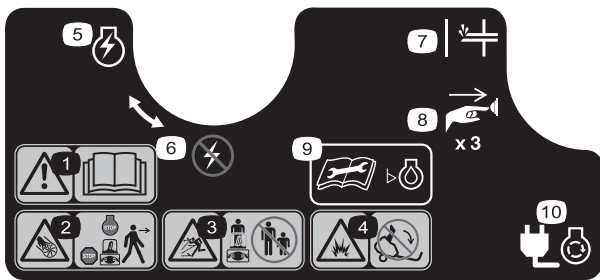
1. Risque de mutilation par la turbine et la vis sans fin – ne placez pas les mains dans la goulotte, enlevez la clé de contact et lisez les instructions avant d'effectuer un entretien ou une révision.



117-9102 (Model 38741 only)

Réf. 117-6036

1. Attention – lisez le *Manuel de l'utilisateur*.
2. Risque de coupure/mutilation par la turbine – coupez le moteur avant de quitter la machine.
3. Risque de projection d'objets – tenez les spectateurs à bonne distance de la machine.
4. Risque de déversement de carburant – n'inclinez pas la machine en arrière.
5. Démarrage du moteur
6. Arrêt du moteur
7. Amorceur
8. Appuyez trois fois sur l'amorceur pour amorcer le moteur.
9. Lisez le *Manuel de l'utilisateur* avant de vérifier le niveau d'huile moteur.



117-9103 (Model 38742 only)

Réf. 117-6046

- | | |
|--|--|
| 1. Attention – lisez le <i>Manuel de l'utilisateur</i> . | 6. Arrêt du moteur |
| 2. Risque de coupure/mutilation par la turbine – coupez le moteur avant de quitter la machine. | 7. Amorceur |
| 3. Risque de projection d'objets – tenez les spectateurs à bonne distance de la machine. | 8. Appuyez trois fois sur l'amorceur pour amorcer le moteur. |
| 4. Risque de déversement de carburant – n'inclinez pas la machine en arrière. | 9. Lisez le <i>Manuel de l'utilisateur</i> avant de vérifier le niveau d'huile moteur. |
| 5. Démarrage du moteur | 10. Branchez la machine au secteur pour mettre le démarreur électrique sous tension. |

Mise en service

Pièces détachées

Reportez-vous au tableau ci-dessous pour vérifier si toutes les pièces ont été expédiées.

Procédure	Description	Qté	Utilisation
1	Aucune pièce requise	–	Dépliage du guidon.
2	Goulotte d'éjection Poignée de la goulotte Boulon à tête cruciforme Rondelle Contre-écrou	1 1 3 3 3	Montage de la goulotte.

1

Dépliage du guidon

Aucune pièce requise

Procédure

1. Desserrez les boutons du guidon, sortez les dispositifs de blocage en U jusqu'à ce que le guidon bouge librement, puis faites pivoter le guidon en position d'utilisation (Figure 4).

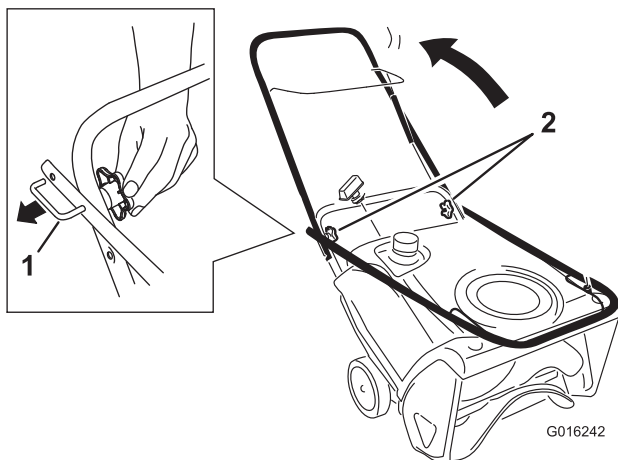


Figure 4

1. Dispositif de blocage en « U » (2)
2. Boutons de guidon

2. Insérez le dispositif de blocage en U dans le trou libre du guidon et serrez fermement les boutons du guidon (Figure 5).

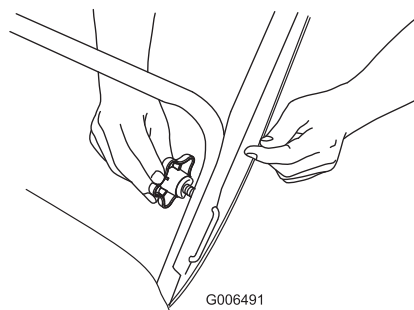


Figure 5

Important: Veillez à ne pas pincer ni plier le câble de commande (Figure 6).

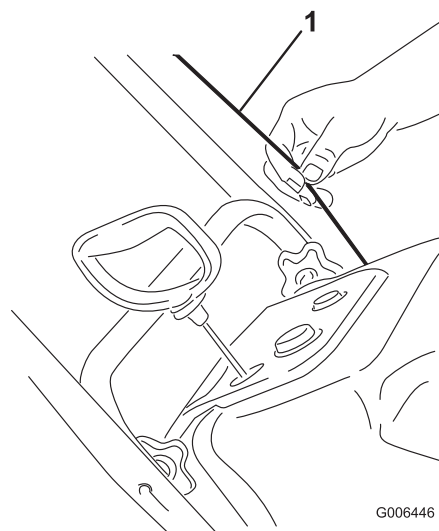


Figure 6

1. Câble de commande

2

Montage de la goulotte

Pièces nécessaires pour cette opération:

1	Goulotte d'éjection
1	Poignée de la goulotte
3	Boulon à tête cruciforme
3	Rondelle
3	Contre-écrou

Procédure

Montez la goulotte de la manière illustrée (Figure 7).

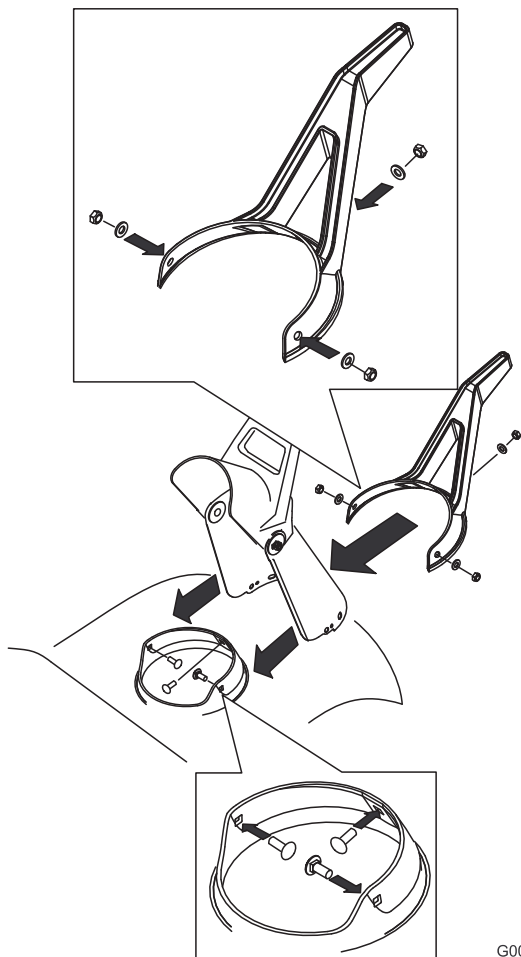


Figure 7

G001118

3

Plein d'huile moteur

Aucune pièce requise

Procédure

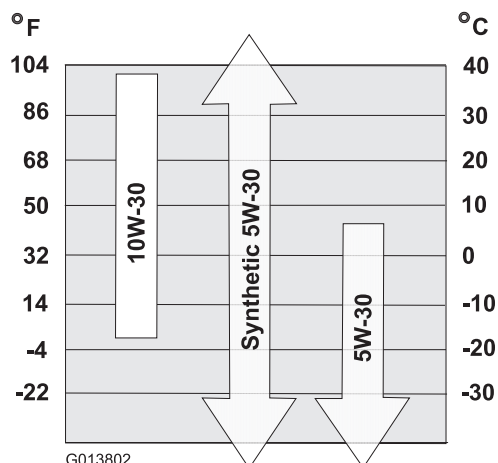
À la livraison de la machine, le carter moteur est vide, mais un bidon d'huile moteur est fourni.

Important: Avant de mettre le moteur en marche, faites le plein d'huile moteur.

Remarque: Il se peut que le bidon contienne plus d'huile que nécessaire pour le moteur. **Ne remplissez pas excessivement ou insuffisamment le moteur.**

Remplissage max. : 0.60 L (20 oz), type : huile détergente automobile de classe de service API SJ, SL ou supérieure.

Reportez-vous à la Figure 8 ci-dessous pour sélectionner la viscosité d'huile la mieux adaptée pour la plage de température extérieure anticipée.



G013802

Figure 8

1. Amenez la machine sur un sol plat et horizontal.
2. Nettoyez la surface autour du bouchon de remplissage d'huile (Figure 9).

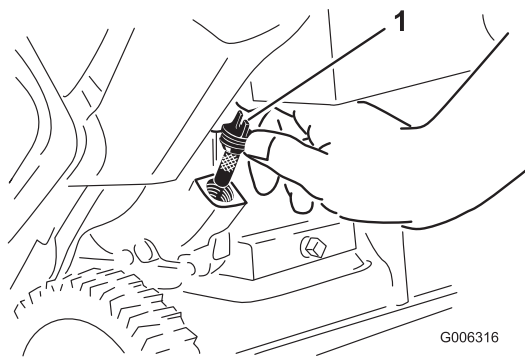


Figure 9

1. Bouchon de remplissage d'huile

3. Dévissez et retirez le bouchon de remplissage.
4. La machine étant en position d'utilisation, versez **lentement** de l'huile dans le carter moteur. Patientez 3 minutes pour donner le temps à l'huile de se stabiliser et ajoutez une quantité suffisante pour atteindre le point de trop-plein. Il ne devrait rester que très peu, voire pas du tout d'huile dans le bidon.

Remarque: Vous pouvez incliner la machine en avant (soulevez le guidon) pour faciliter l'appoint d'huile. Veillez à remettre la machine à la position normale avant de vérifier le niveau d'huile.

Important: Ne basculez pas la machine complètement en avant, en appui sur son nez, car du carburant pourrait s'échapper.

5. Revissez le bouchon sur le trou de remplissage d'huile et serrez-le fermement.

Vue d'ensemble du produit

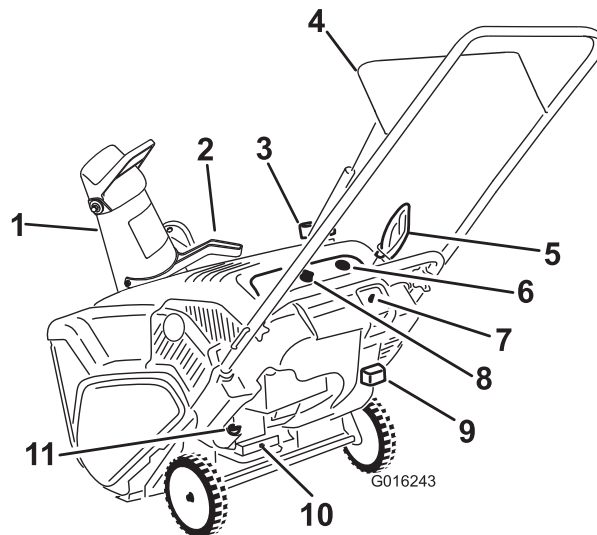


Figure 10

- | | |
|--------------------------------------|---|
| 1. Goulotte | 7. Bouton du démarreur électrique (modèle 38742 uniquement) |
| 2. Poignée de la goulotte | 8. Clé de contact |
| 3. Bouchon du réservoir de carburant | 9. Commande de starter |
| 4. Barre de commande | 10. Bouchon de vidange d'huile |
| 5. Poignée du lanceur | 11. Bouchon de remplissage d'huile |
| 6. Amorceur | |

4

Réglage du câble de commande

Aucune pièce requise

Procédure

Voir (page).

Utilisation

Avant l'utilisation

Sécurité

- Utilisez des rallonges et des prises spécifiées par le fabricant pour toutes les machines équipées de démarreurs électriques.
- N'utilisez jamais la machine sans porter des vêtements d'hiver adaptés. Ne portez pas de vêtements amples qui risquent de s'accrocher dans les pièces mobiles. Portez des chaussures à semelle antidérapante offrant une bonne prise sur les surfaces glissantes.
- Portez toujours une protection oculaire lorsque vous utilisez la machine, et lors de tout réglage ou toute réparation afin de vous protéger les yeux des objets pouvant être projetés par la machine.

- Inspectez soigneusement la zone de travail et enlevez tous les pailleçons, traîneaux, planches, fils de fer ou autres objets qui s'y trouvent.
- Si un déflecteur, un dispositif de sécurité ou un autocollant manque, est endommagé ou illisible, réparez ou remplacez-le avant d'utiliser la machine. Resserez également les fixations qui en ont besoin.

Remplissage du réservoir de carburant

- Pour assurer le fonctionnement optimal de la machine, utilisez uniquement de l'essence sans plomb propre et fraîche (stockée depuis moins d'un mois) ayant un indice d'octane de 87 ou plus (méthode de calcul $[R+M]/2$).
- **Éthanol** : de l'essence contenant jusqu'à 10 % d'éthanol (essence-alcool) ou 15 % de MTBE (éther méthyltertiobutylique) par volume peut être utilisée. L'éthanol et le MTBE sont deux produits différents. L'utilisation d'essence contenant 15 % d'éthanol (E15) par volume n'est pas agréée. **N'utilisez jamais** d'essence contenant plus de 10 % d'éthanol par volume, comme E15 (qui contient 15 % d'éthanol), E20 (qui contient 20 % d'éthanol) ou E85 (qui contient 85 % d'éthanol). L'utilisation d'essence non agréée peut entraîner des problèmes de performances et/ou des dommages au moteur qui peuvent ne pas être couverts par la garantie.
- N'utilisez **pas** d'essence contenant du méthanol.
- Ne stockez **pas** le carburant dans le réservoir ou dans des bidons de carburant pendant l'hiver, à moins d'utiliser un stabilisateur de carburant.
- N'ajoutez **pas** d'huile à l'essence.

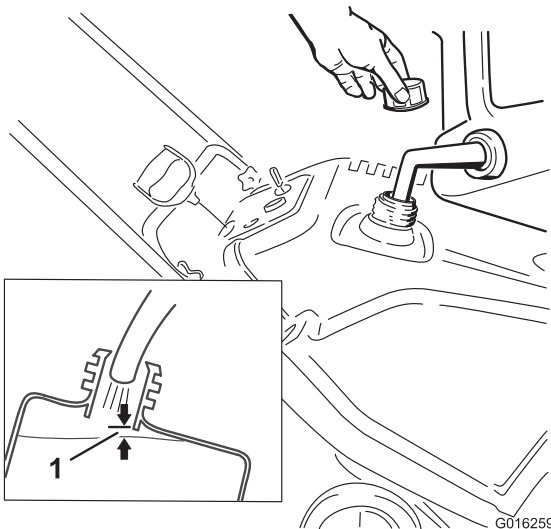


Figure 11

1. 6 mm (1/4 po)

Remarque: Pour obtenir des résultats optimaux, n'achetez pas plus que la quantité que vous comptez utiliser en un mois.

Vous pouvez aussi ajouter un agent stabilisateur à l'essence neuve pour garantir sa fraîcheur pendant 6 mois.

Contrôle du niveau d'huile moteur

Périodicité des entretiens: À chaque utilisation ou une fois par jour—Contrôlez le niveau d'huile moteur et faites l'appoint si nécessaire.

1. Amenez la machine sur un sol plat et horizontal.
2. Nettoyez la surface autour du bouchon de remplissage d'huile (Figure 12).

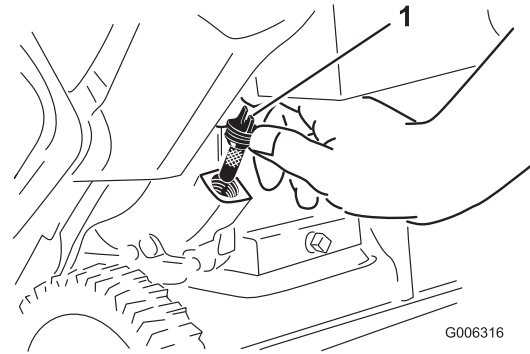


Figure 12

1. Bouchon de remplissage d'huile
 3. Dévissez et retirez le bouchon de remplissage.
 4. Si le niveau est bas, laissez la machine en position d'utilisation et versez de l'huile **avec précaution** dans le carter moteur jusqu'au niveau de trop-plein. Patientez 3 minutes pour donner le temps à l'huile de se stabiliser et ajoutez une quantité suffisante pour atteindre le point de trop-plein. (Remplissage max. : 0,60 litre (20 oz), type : huile détergente automobile de classe de service API SJ, SL ou supérieure.)
- Remarque:** Vous pouvez incliner la machine en avant (soulevez le guidon) pour faciliter l'appoint d'huile. Veillez à remettre la machine à la position normale avant de vérifier le niveau d'huile.
- Important:** Ne basculez pas la machine complètement en avant, en appui sur son nez, car du carburant pourrait s'échapper.
5. Revissez le bouchon sur l'orifice de remplissage d'huile et serrez-le fermement.

Pendant l'utilisation

Démarrage du moteur

1. Tournez la clé dans le sens horaire à la position CONTACT (Figure 13).

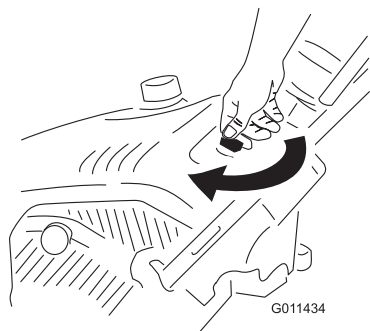


Figure 13

2. Tirez la commande de starter (Figure 14 et Figure 15).

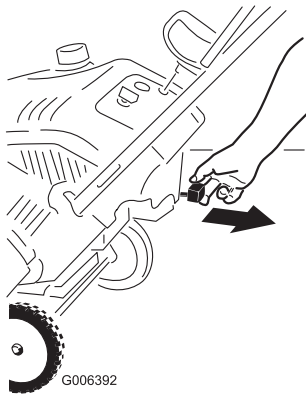


Figure 14

1. Commande de starter

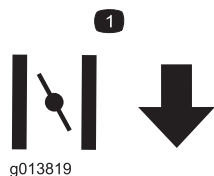


Figure 15

1. Symboles sur la commande de starter indiquant qu'il faut la tirer pour activer le starter.
-
3. Appuyez fermement à 3 reprises sur l'amorceur avec le pouce, en marquant une pause d'une seconde chaque fois (Figure 16).

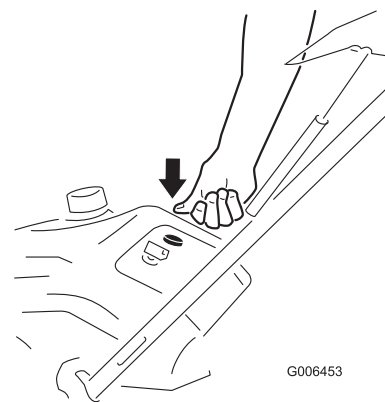


Figure 16

Remarque: Enlevez votre gant pour couvrir l'orifice central du bouton de l'amorceur et empêcher l'air de s'échapper.

Important: N'utilisez pas l'amorceur ni le starter si le moteur vient de tourner et est encore chaud. Un amorçage excessif risque de noyer le moteur et d'empêcher le démarrage.

4. Branchez la rallonge sur le secteur et sur la machine, puis appuyez sur le bouton du démarreur électrique (modèle 38742 uniquement) (Figure 17), ou tirez la poignée du lanceur (Figure 18).

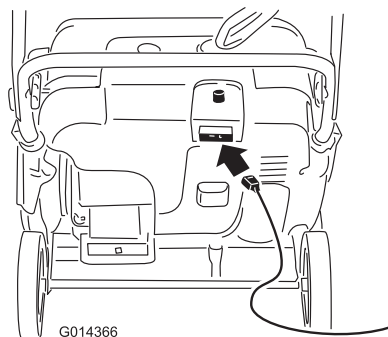


Figure 17

Remarque: Utilisez uniquement une rallonge homologuée UL de calibre 16 recommandée pour l'utilisation à l'extérieur de 15 m (50 pi) de longueur maximum.

⚠ ATTENTION

Le cordon d'alimentation peut être endommagé et provoquer un choc électrique ou un incendie.

Examinez soigneusement le cordon d'alimentation avant de le brancher à une source d'alimentation. Si le cordon est endommagé, ne l'utilisez pas pour démarrer la machine. Réparez ou remplacez immédiatement le cordon d'alimentation s'il est endommagé. Adressez-vous à un réparateur agréé.

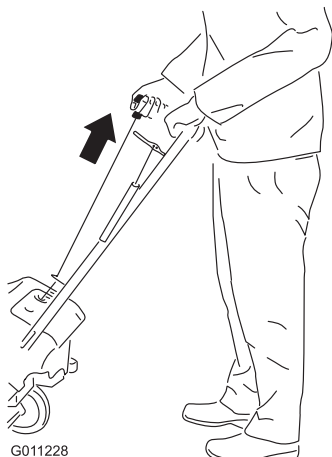


Figure 18

Important: N'actionnez pas le démarreur plus de 10 fois de suite pendant 5 secondes à 5 secondes d'intervalle. Un usage prolongé peut endommager le démarreur pour cause de surchauffe. Si le moteur ne démarre pas après ces tentatives, laissez refroidir le démarreur pendant au moins 40 minutes avant de réessayer. Si le moteur refuse toujours de démarrer après la deuxième tentative, portez la machine chez un réparateur Toro agréé pour la faire réviser (modèle 38742 uniquement).

Remarque: Si vous tirez la poignée du lanceur et que vous ne sentez pas de résistance, il est possible que le démarreur soit gelé. Faites dégeler le démarreur avant d'essayer de faire démarrer la machine.

5. Quand le moteur est en marche, repoussez lentement la commande de starter.
6. Débranchez la rallonge du secteur et de la machine (modèle 38742 uniquement).

⚠ PRUDENCE

Si vous laissez la machine branchée à une source d'alimentation, elle pourrait être mise en marche accidentellement, et blesser quelqu'un ou causer des dommages matériels (modèle 38742 uniquement).

Débranchez le cordon d'alimentation quand la machine ne sert pas.

Engager les pales du rotor

Serrez la barre de commande contre le guidon pour engager les pales du rotor (Figure 19).

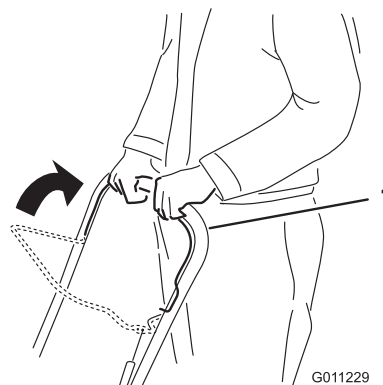


Figure 19

1. Barre de commande

Désengager les pales du rotor

Pour désengager les pales du rotor, relâchez la barre de commande (Figure 20).

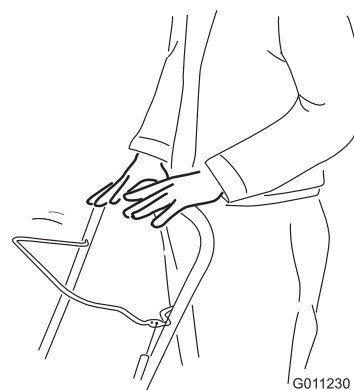


Figure 20

Arrêt du moteur

Pour couper le moteur, tournez la clé de contact dans le sens antihoraire à la position ARRÊT (Figure 21).

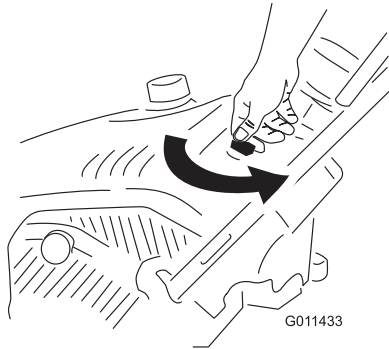


Figure 21

Réglage de la goulotte

Pour régler la goulotte, déplacez la poignée de la goulotte et la poignée du déflecteur de la manière illustrée (Figure 22).

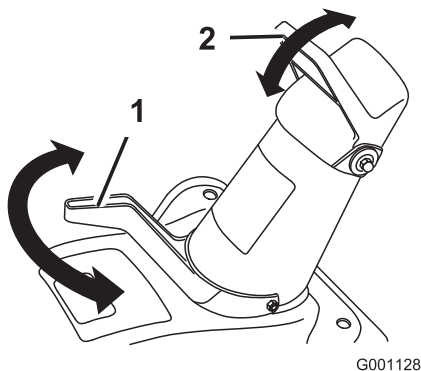


Figure 22

1. Poignée de la goulotte 2. Poignée du déflecteur

Débouchage de la goulotte

Important: Le contact avec le rotor en marche à l'intérieur de la goulotte est une cause courante de blessures associées aux souffleuses à neige. N'utilisez jamais vos mains pour nettoyer la goulotte.

Pour déboucher la goulotte :

- **Coupez le moteur.**
- Attendez 10 secondes que les pales du rotor ne tournent plus.
- Utilisez toujours un outil pour nettoyer la goulotte, jamais les mains (Figure 23).



Figure 23

Conseils d'utilisation

⚠ ATTENTION

Des pierres, des jouets ou d'autres objets peuvent être ramassés et projetés par les pales du rotor et blesser gravement l'utilisateur ou les personnes à proximité.

- Ne laissez pas d'objets susceptibles d'être ramassés et projetés par le rotor dans la zone à débayer.
- Tenez les enfants et les animaux domestiques à l'écart de la zone de travail.
- Enlevez la neige aussitôt que possible après qu'elle est tombée.
- Si la machine ne se propulse pas en avant sur les surfaces glissantes ou très enneigées, poussez sur le guidon, mais laissez la machine avancer à son propre rythme.
- Veillez à ce que les bandes déblayées se chevauchent pour bien enlever toute la neige.
- Rejetez toujours la neige de préférence dans le sens du vent.

Après l'utilisation

Sécurité

- Ne remisez jamais une machine dont le réservoir contient du carburant dans un local contenant des sources possibles d'inflammation, telles que chaudières, radiateurs, séchoirs à linge, etc. Laissez refroidir le moteur avant de ranger la machine dans un local fermé.
- Si vous remisez la machine plus d'un mois, reportez-vous à la section Remisage pour prendre connaissance de détails importants.

Prévention du blocage par le gel après utilisation

- Laissez le moteur tourner quelques minutes pour éviter que les pièces en mouvement ne soient bloquées par le gel. Coupez le moteur, attendez l'arrêt de toutes les pièces mobiles et enlevez la glace et la neige qui se trouvent sur la machine.
- Enlevez la neige et la glace accumulées au bas de la goulotte.
- Tournez la goulotte à droite et à gauche pour la dégager de la glace accumulée.
- Tournez la clé de contact à la position ARRÊT, puis tirez la poignée du lanceur à plusieurs reprises ou branchez le cordon d'alimentation à une source d'alimentation et à la machine. Appuyez ensuite une fois sur le bouton de démarrage électrique pour empêcher les démarreurs électrique et à lanceur de geler.
- Dans certaines conditions enneigées et par temps froid, certaines commandes et pièces mobiles peuvent être bloquées par le gel. Ne forcez jamais les commandes pour les faire fonctionner lorsqu'elles sont gelées. Si certaines commandes ou pièces sont difficiles à utiliser, mettez le moteur en marche et laissez-le tourner quelques minutes.

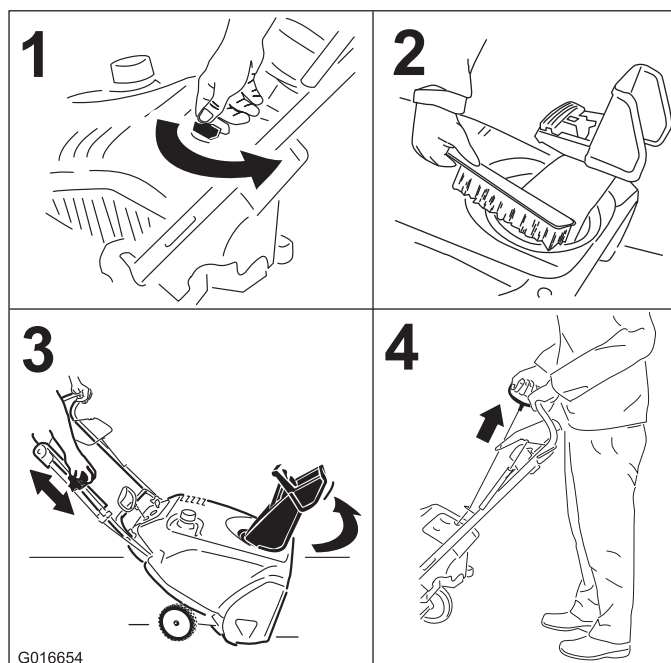


Figure 24

Entretien

Remarque: Les côtés gauche et droit de la machine sont déterminés d'après la position d'utilisation normale.

Programme d'entretien recommandé

Périodicité d'entretien	Procédure d'entretien
Après la 1ère heure de fonctionnement	<ul style="list-style-type: none">• Contrôlez et réglez le câble de commande au besoin.• Contrôlez le serrage des fixations et resserrez-les au besoin.
Après les 2 premières heures de fonctionnement	<ul style="list-style-type: none">• Vidangez l'huile moteur.
À chaque utilisation ou une fois par jour	<ul style="list-style-type: none">• Contrôlez le niveau d'huile moteur et faites l'appoint si nécessaire.
Une fois par an	<ul style="list-style-type: none">• Contrôlez et réglez le câble de commande au besoin.• Vérifiez l'état des pales du rotor et faites-les remplacer par un réparateur agréé, ainsi que la lame racleuse le cas échéant.• Vidangez l'huile moteur.• Examinez et remplacez la bougie au besoin.• Contrôlez le serrage des fixations et resserrez-les au besoin.• Demandez à un réparateur agréé de vérifier l'état de la courroie d'entraînement et de la remplacer le cas échéant.
Une fois par an ou avant le remisage	<ul style="list-style-type: none">• Préparez la machine au remisage.

Consignes de sécurité pendant l'entretien

Lisez les consignes de sécurité suivantes avant d'effectuer tout entretien sur la machine :

- Avant d'entreprendre des entretiens, des révisions ou des réglages, coupez le moteur et enlevez la clé de contact. Si la machine nécessite une réparation importante, faites appel à un réparateur agréé.
- Contrôlez fréquemment le serrage de toutes les fixations pour garantir le fonctionnement sûr de la machine.
- Remplacez les autocollants d'instruction ou de sécurité manquants ou endommagés, selon les besoins.
- Ne modifiez pas le réglage du régulateur sur le moteur.
- N'achetez que des pièces et des accessoires Toro d'origine.

Réglage du câble de commande

Contrôle du câble de commande

Périodicité des entretiens: Après la 1ère heure de fonctionnement—Contrôlez et réglez le câble de commande au besoin.

Une fois par an—Contrôlez et réglez le câble de commande au besoin.

Rapprochez la barre de commande du guidon pour tendre le câble de commande (Figure 25).

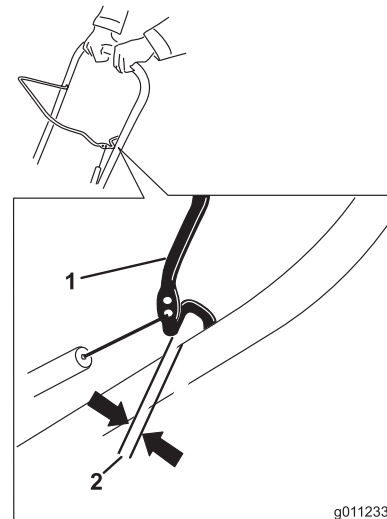


Figure 25

1. Barre de commande
2. Espace de 2 à 3 mm (1/16 à 1/8 po)

Remarque: Vérifiez que la barre de commande et le guidon sont espacés de 2 à 3 mm (1/16 à 1/8 po) (Figure 25).

Important: Le câble de commande ne doit pas être complètement tendu quand vous désengagez la barre de commande, afin de permettre aux pales du rotor de s'arrêter correctement.

Réglage du câble de commande

1. Remontez la protection du ressort et décrochez le ressort de la biellette de réglage (Figure 26).

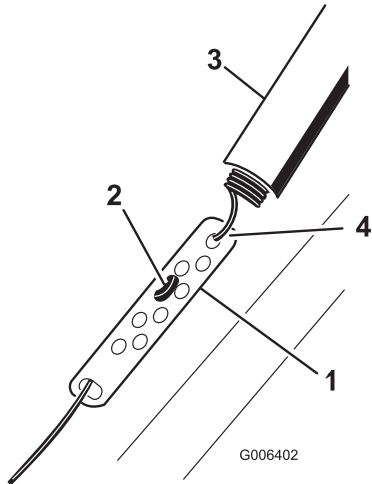


Figure 26

- | | |
|-------------------------|------------------------------|
| 1. Biellette de réglage | 3. Protection du ressort |
| 2. Raccord en Z | 4. Décrochez le ressort ici. |

Remarque: Vous pouvez tirer la biellette de réglage et le câble vers le haut pour décrocher le ressort plus facilement.

2. Accrochez le raccord en Z à un trou plus haut ou plus bas sur la biellette de réglage de manière à obtenir un écart de 2 à 3 mm (1/16 à 1/18 po) entre la barre de commande et le guidon (Figure 26).

Remarque: Accrochez le raccord en Z plus haut pour réduire l'écartement de la barre de commande et du guidon, ou plus bas pour augmenter l'écartement.

3. Accrochez le ressort et la biellette de réglage, puis faites glisser la protection du ressort sur la biellette.
4. Contrôlez le réglage, voir [Contrôle du câble de commande](#) (page 13).

Remarque: La courroie d'entraînement s'use et se détend avec le temps. Si la courroie glisse (grincements continus) quand elle est soumise à une lourde charge, décrochez le ressort de la biellette de réglage et placez l'extrémité supérieure du ressort dans le trou le plus éloigné du point de pivot dans la barre de commande (Figure 27). Accrochez ensuite le ressort à la biellette de réglage et ajustez le câble de commande.

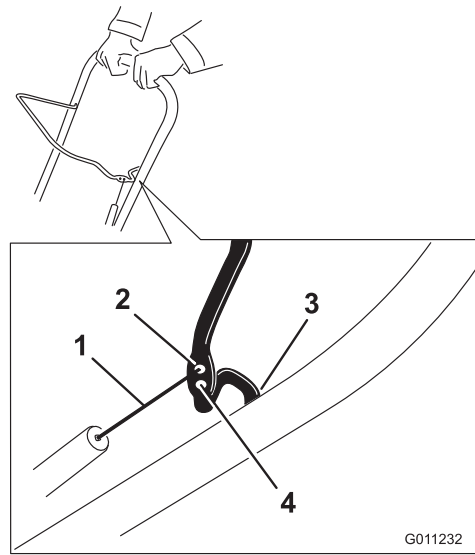


Figure 27

- | | |
|---|---|
| 1. Extrémité supérieure du ressort | 3. Point de pivot |
| 2. Accrochez l'extrémité supérieure du ressort dans ce trou | 4. Décrochez l'extrémité supérieure du ressort de ce trou |

Remarque: La courroie peut glisser (grincer) par temps humide; lancez alors le rotor et laissez-le tourner à vide pendant 30 secondes pour sécher le système d'entraînement.

Contrôle des pales du rotor

Périodicité des entretiens: Une fois par an—Vérifiez l'état des pales du rotor et faites-les remplacer par un réparateur agréé, ainsi que la lame racleuse le cas échéant.

Avant chaque utilisation, vérifiez l'usure des pales du rotor. Quand le bord d'une pale est usé jusqu'au trou de l'indicateur d'usure, faites remplacer les pales et la lame racleuse par un réparateur agréé (Figure 28).

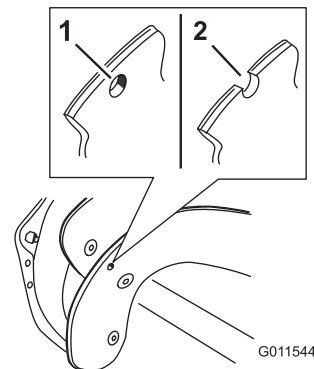


Figure 28

- | | |
|---|---|
| 1. Le trou de l'indicateur d'usure est intact; les pales du rotor n'ont pas besoin d'être remplacées. | 2. Le trou de l'indicateur d'usure est visible; remplacez les pales du rotor. |
|---|---|

Vidange de l'huile moteur

Périodicité des entretiens: Après les 2 premières heures de fonctionnement

Une fois par an

Faites tourner le moteur pendant quelques minutes avant la vidange pour réchauffer l'huile. L'huile chaude s'écoule plus facilement et entraîne plus d'impuretés.

1. Siphonnez le réservoir de carburant dans un bidon homologué ou laissez tourner le moteur jusqu'à ce qu'il s'arrête faute de carburant.
2. Amenez la machine sur un sol plat et horizontal.
3. Placez un bac de vidange sous le bouchon de vidange et retirez le bouchon; basculez la machine en arrière et vidangez l'huile usagée dans le bac de vidange (Figure 29).

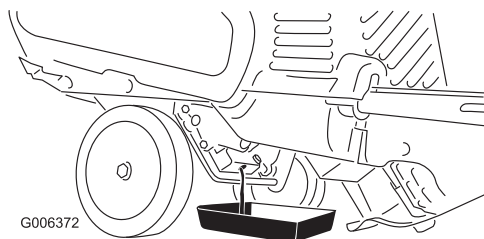


Figure 29

4. Redressez la machine après avoir vidangé l'huile usagée.
5. Mettez en place et serrez fermement le bouchon de vidange d'huile.
6. Nettoyez la surface autour du bouchon de remplissage d'huile (Figure 30).

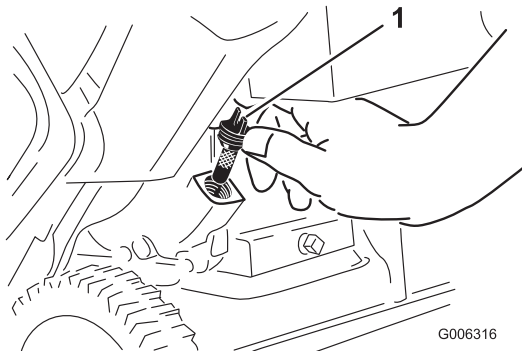


Figure 30

1. Bouchon de remplissage d'huile

7. Dévissez et retirez le bouchon de remplissage (Figure 30).
8. La machine étant en position d'utilisation, versez **lentement** de l'huile dans l'orifice de remplissage. Patientez 3 minutes pour donner le temps à l'huile de se stabiliser et ajoutez une quantité suffisante pour atteindre le point de trop-plein. Il ne devrait rester

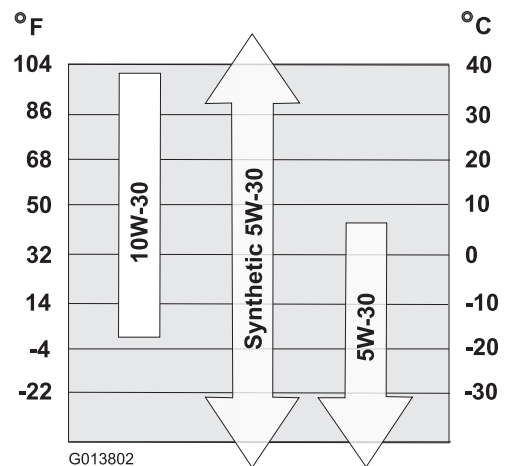
que très peu, voire pas du tout d'huile dans le bidon (Figure 32).

Remarque: Vous pouvez incliner la machine en avant (soulevez le guidon) pour faciliter l'appoint d'huile. Veillez à remettre la machine à la position normale avant de vérifier le niveau d'huile.

Important: Ne basculez pas la machine complètement en avant, en appui sur son nez, car du carburant pourrait s'échapper.

Remplissage max. : 0.60 L (20 oz), type : huile détergente automobile de classe de service API SJ, SL ou supérieure.

Reportez-vous à la Figure 31 ci-dessous pour sélectionner la viscosité d'huile la mieux adaptée pour la plage de température extérieure anticipée.



G013802

Figure 31

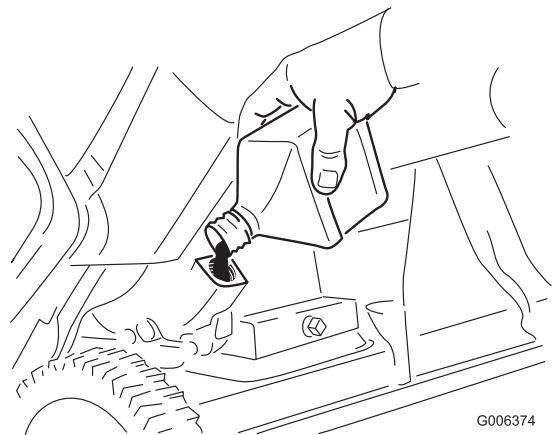


Figure 32

9. Revissez le bouchon sur l'orifice de remplissage d'huile et serrez-le fermement.
10. Essayez l'huile éventuellement répandue.
11. Débarrassez-vous correctement de l'huile usagée en la déposant dans un centre de recyclage agréé.

Entretien de la bougie

Périodicité des entretiens: Une fois par an—Examinez et remplacez la bougie au besoin.

Utilisez une bougie **NGK BPR6ES** ou **Champion RN9YC** ou une bougie équivalente.

1. Coupez le moteur et attendez l'arrêt complet de toutes les pièces mobiles.
2. Faites pivoter la goulotte vers l'avant.
3. Retirez les trois vis de fixation de la goulotte, ainsi que les vis qui fixent son joint, puis déposez la goulotte (Figure 33).

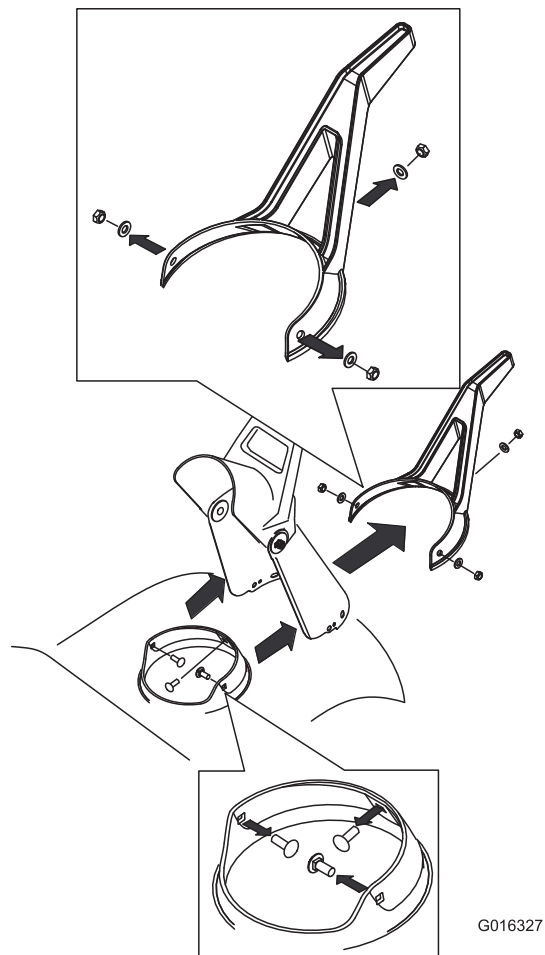


Figure 33

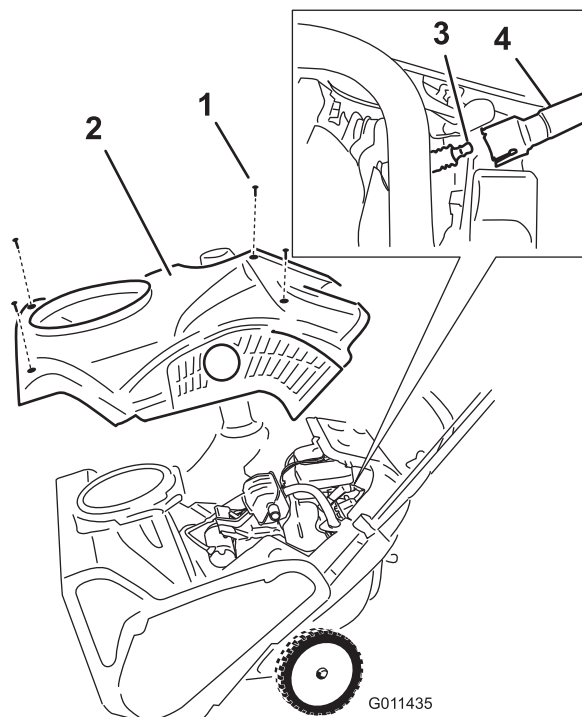


Figure 34

- | | |
|-------------|------------------|
| 1. Vis (4) | 3. Bougie |
| 2. Carénage | 4. Fil de bougie |

5. Enlevez le bouchon du réservoir de carburant.
6. Déposez le carénage (Figure 34).
7. Remettez le bouchon du réservoir de carburant.
8. Débranchez le fil de la bougie.
9. Nettoyez la surface autour de la bougie.
10. Retirez la bougie de la culasse.

Important: Remplacez la bougie si elle est fissurée, calaminée ou encrassée. Ne nettoyez pas les électrodes, car des particules risquent de tomber dans la culasse et d'endommager le moteur.

11. Réglez l'écartement des électrodes à 0,76 mm (0,030 po), comme montré à la Figure 35.

4. Enlevez les 4 vis de fixation du carénage (Figure 34).

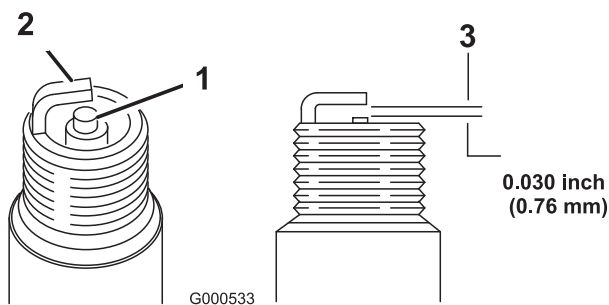


Figure 35

- | | |
|-------------------------------------|---------------------------------|
| 1. Bec isolant d'électrode centrale | 3. Écartement (pas à l'échelle) |
| 2. Électrode latérale | |

12. Montez et serrez la bougie à un couple de 27 à 30 N m (20 à 22 pi-lb).
13. Branchez le fil de la bougie.

Remarque: Veillez à faire passer le tube de reniflard au-dessus du fil de la bougie, comme montré à la Figure 36.

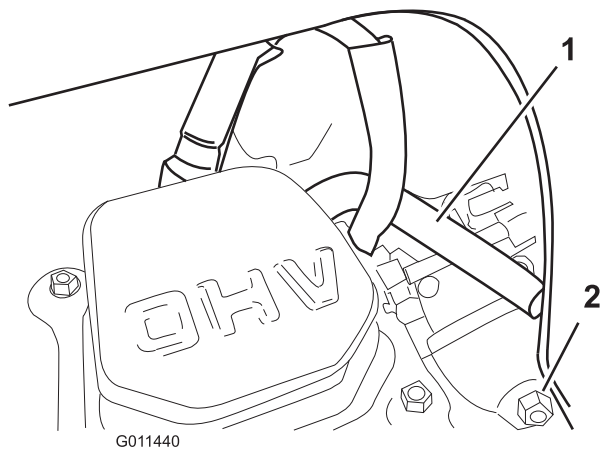


Figure 36

- | | |
|----------------------|----------------------------------|
| 1. Tube de reniflard | 2. Vis de vidange de carburateur |
|----------------------|----------------------------------|

14. Enlevez le bouchon du réservoir de carburant.
 15. Fixez le carénage avec les vis retirées à l'opération 4.
- Remarque:** Vérifiez que les carénages inférieur et supérieur s'engagent bien ensemble dans les rainures latérales.
16. Remettez le bouchon du réservoir de carburant.
 17. Fixez le joint de la goulotte, la goulotte et la poignée de la goulotte sur la machine à l'aide des fixations retirées à l'opération 3.

Remarque: La petite vis se place dans le petit trou du joint, à l'avant de l'ouverture de la goulotte.

Remplacement de la courroie d'entraînement

Remplacez la courroie d'entraînement si elle est usée, imbibée d'huile, excessivement fissurée, effilochée ou endommagée de quelque autre manière.

1. Enlevez le couvercle de la courroie d'entraînement après avoir retiré les 3 boulons comme montré à la Figure 37.

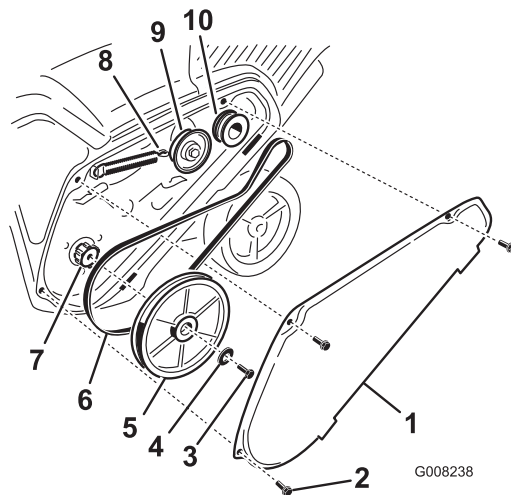


Figure 37

- | | |
|--|--|
| 1. Couvercle de la courroie d'entraînement | 6. Courroie d'entraînement |
| 2. Boulon (3) | 7. Arbre de rotor |
| 3. Boulon de poulie de rotor | 8. Ressort de frein (le décrocher ici du bras de la poulie de tension) |
| 4. Rondelle bombée | 9. Poulie de tension |
| 5. Poulie de rotor | 10. Poulie de moteur |

2. Décrochez le ressort de frein du bras de la poulie de tension pour détendre la courroie (Figure 37).
3. Enlevez la vis et la rondelle bombée qui retiennent la poulie de rotor (Figure 37).
4. Retirez la poulie de rotor et la courroie d'entraînement (Figure 37).
5. Montez et acheminez la nouvelle courroie comme indiqué à la Figure 38.

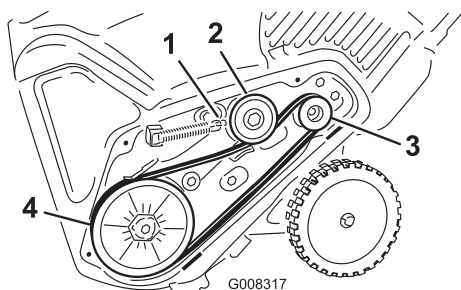


Figure 38

- | | |
|---|---------------------|
| 1. Ressort de frein
(l'accrocher ici au bras
de la poulie de tension) | 3. Poulie de moteur |
| 2. Poulie de tension | 4. Poulie de rotor |

Remarque: Acheminez la courroie neuve autour de la poulie du moteur, puis de la poulie de tension, et enfin autour de la poulie de rotor desserrée, située juste au-dessus de l'arbre de rotor (Figure 37).

6. Montez la poulie de rotor sur l'arbre de rotor (Figure 37).
7. Montez la rondelle bombée et le boulon de fixation de la poulie de rotor, et serrez-les solidement (Figure 37).

Remarque: La face concave de la rondelle bombée doit être tournée vers l'extérieur de la poulie.

8. Raccrochez le ressort de frein au bras de la poulie de tension (Figure 38).
9. Montez le couvercle de la courroie d'entraînement à l'aide des boulons retirés à l'opération 1.

Remarque: Vérifiez que la courroie d'entraînement est réglée et fonctionne correctement; voir [Contrôle du câble de commande](#) (page 13) et [Réglage du câble de commande](#) (page 13).

Remisage

Remisage de la souffleuse à neige

⚠ ATTENTION

- Les vapeurs d'essence sont extrêmement inflammables, explosives et dangereuses à respirer. Si vous rangez la machine dans un local où se trouve une flamme nue, les vapeurs d'essence peuvent s'enflammer et provoquer une explosion.
 - Ne rangez pas la machine dans une partie habitée de la maison, une cave ou tout autre endroit contenant des sources potentielles d'inflammation telles qu'une chaudière, un chauffe-eau, un séchoir à linge, etc.
 - Ne basculez pas la machine en arrière lorsqu'il reste du carburant dans le réservoir, car du carburant pourrait s'échapper.
1. Lors du dernier plein de la saison, ajoutez un stabilisateur au carburant neuf selon les instructions du constructeur du moteur.
 2. Faites tourner le moteur 10 minutes pour faire circuler le carburant traité dans tout le circuit d'alimentation.
 3. Coupez le moteur, laissez-le refroidir et siphonnez le réservoir de carburant, ou laissez tourner le moteur jusqu'à ce qu'il s'arrête faute de carburant.
 4. Redémarrez le moteur et laissez-le tourner jusqu'à ce qu'il s'arrête.
 5. Utilisez le starter ou l'amorceur, remettez le moteur en marche une troisième fois et laissez-le tourner jusqu'à ce qu'il ne veuille plus démarrer.
 6. Vidangez le carburateur par la vis de vidange (Figure 36) dans un bidon d'essence homologué.
 7. Débarrassez-vous correctement du carburant inutilisé. Recyclez-le conformément à la réglementation locale ou utilisez-le dans une voiture.
 8. Vidangez l'huile moteur quand le moteur est encore chaud. Voir [Vidange de l'huile moteur](#) (page 15).
 9. Déposez la bougie.
 10. Injectez 2 cuillères à café d'huile dans l'ouverture laissée par la bougie.
 11. Mettez la bougie en place et serrez-la à la main à un couple de 27 à 30 N·m (20 à 22 pi·lb).
 12. La clé de contact étant en position ARRÊT, tirez lentement la poignée du lanceur afin de répartir l'huile à l'intérieur du cylindre.
 13. Nettoyez la machine.

14. Retouchez les surfaces écaillées avec une peinture en vente chez un dépositaire-réparateur agréé. Poncez les zones abîmées avant de les peindre et utilisez un produit anti-rouille pour prévenir la corrosion.
15. Resserrez toutes les fixations qui en ont besoin. Réparez ou remplacez les pièces endommagées.
16. Couvrez la machine et rangez-la dans un endroit propre et sec, hors de la portée des enfants. Laissez refroidir le moteur avant de ranger la machine dans un local fermé.

Remarques:

Remarques:



Déclaration de garantie de conformité à la réglementation sur le contrôle des émissions

Pour les États-Unis, la Californie et le Canada



Droits et obligations en vertu de la garantie

La direction californienne des ressources atmosphériques (CARB), l'agence américaine de défense de l'environnement (EPA) et The Toro Company ont le plaisir de vous présenter la garantie du système antipollution dont bénéficie votre petit moteur/équipement non routier année-modèle 2016–2017. Les moteurs de petite cylindrée/équipements non routiers utilisés en Californie et aux États-Unis, doivent être conçus, construits et certifiés pour satisfaire à des normes anti-smog strictes. The Toro Company garantit le système antipollution de votre moteur de petite cylindrée/équipements non routiers pour la durée mentionnée ci-dessous, sauf en cas d'usage abusif, de mauvais traitement ou de mauvais entretien du moteur/de l'équipement.

Votre système antipollution peut inclure des pièces telles que le carburateur, le système d'injection de carburant, le système d'allumage, le catalyseur, les réservoirs, canalisations et bouchons de carburant, les soupapes, cartouches absorbantes des vapeurs d'essence, filtres, flexibles de vapeur, colliers de serrage, raccords et autres composants connexes du système antipollution.

Lorsqu'une condition couverte par la garantie existe, The Toro Company s'engage à réparer votre moteur de petite cylindrée/équipements non routiers gratuitement, frais de diagnostic, pièces et main-d'œuvre compris.

Garantie du fabricant

Ce système antipollution est garanti deux ans ou pour la durée de la garantie Toro, selon l'échéance la plus longue. Toute pièce du système antipollution de votre moteur/équipement qui s'avère défectueuse sera réparée ou remplacée par The Toro Company.

Responsabilités du propriétaire

En tant que propriétaire d'un moteur de petite cylindrée non routier, vous devez effectuer les entretiens nécessaires énoncés dans le *manuel de l'utilisateur*. Nous vous conseillons de conserver tous les reçus relatifs à l'entretien de votre moteur de petite cylindrée/équipement non routier, mais nous ne pouvons réfuter la garantie simplement pour non présentation des reçus.

En tant que propriétaire de moteurs de petite cylindrée/équipements non routiers, vous devez néanmoins être informé que nous pourrions éventuellement refuser d'appliquer la garantie en cas de panne des moteurs de petite cylindrée/équipements non routiers ou de toute pièce causée par un usage abusif, un mauvais traitement ou un mauvais entretien, ou encore des modifications non agréées.

Vous êtes dans l'obligation de confier votre moteur de petite cylindrée/équipement non routier à un centre de réparation ou un réparateur agréé dès qu'un problème se présente. Les réparations couvertes par la garantie doivent être effectuées le plus rapidement possible, dans un délai de trente (30) jours.

Pour tous renseignements concernant la couverture de garantie, veuillez nous contacter à l'adresse suivante :

Customer Care Department, Consumer Division
Toro Warranty Company
8111 Lyndale Avenue South
Bloomington, MN 55420-1196, États-Unis
1-888-384-9939 (aux États-Unis et au Canada)
envoyez un courriel au Service client à : www.toro.com

Garantie générale du système antipollution

The Toro Company garantit au propriétaire d'origine et à chaque acheteur ultérieur que le moteur de petite cylindrée/équipement non routier est :

- Conçu, construit et certifié en conformité avec toutes les lois en vigueur en matière d'émissions; et
- Exempt de tout défaut de matériau ou vice de fabrication susceptible de causer la défaillance d'une pièce garantie; et
- En tous égards identique aux pièces décrites dans la demande de certification.

La période de garantie commence à la date de réception du petit moteur/équipement non routier par le dernier acheteur. La période de garantie est égale à deux ans ou à la durée de la garantie Toro, selon l'échéance la plus longue.

Sous réserve de certaines conditions et exclusions énoncées ci-après, la garantie des pièces liées au système antipollution se présente comme suit :

1. Toute pièce sous garantie dont le remplacement n'est pas prévu dans le cadre de l'entretien courant, tel que stipulé dans les instructions écrites fournies, est couverte pour la période de garantie stipulée ci-dessus. En cas de défaillance de la pièce pendant la période de garantie, cette dernière sera réparée ou remplacée par The Toro Company. Toute pièce réparée ou remplacée en vertu de la garantie sera couverte pour la durée de garantie restante.
2. Toute pièce sous garantie dont seul le contrôle régulier est stipulé dans les instructions écrites fournies, est couverte pour la période de garantie stipulée ci-dessus. Toute pièce réparée ou remplacée en vertu de la garantie sera couverte pour la durée de garantie restante.
3. Les pièces à remplacer dans le cadre de l'entretien courant, tel que stipulé dans les instructions écrites, sont couvertes par la garantie jusqu'à la date du premier remplacement prévu. En cas de défaillance de la pièce avant le premier remplacement prévu, cette dernière sera réparée ou remplacée par The Toro Company. Toute pièce réparée ou remplacée en vertu de la garantie bénéficiera d'une garantie égale à la durée restante avant le premier remplacement prévu.
4. Les réparations ou remplacements des pièces couvertes aux termes de la présente garantie doivent être effectués à titre gracieux par un dépositaire-réparateur agréé.
5. Les entretiens ou réparations au titre de la garantie seront proposés par tous les dépositaires-réparateurs agréés pour l'entretien des moteurs ou équipements concernés.
6. Le propriétaire du petit moteur/équipement non routier ne sera pas tenu de payer les diagnostics effectués et directement associés au diagnostic d'une pièce défectueuse, sous garantie, liée au système antipollution, à condition que ledit diagnostic soit réalisé par un dépositaire-réparateur agréé.
7. The Toro Company est responsable des dommages occasionnés à d'autres composants du moteur/de l'équipement par la panne d'une pièce sous garantie.
8. Durant toute la période de garantie des petits moteurs/équipements non routier telle que stipulée ci-dessus, The Toro Company disposera d'un stock suffisant de pièces sous garantie pour répondre à la demande anticipée pour ce type de pièces.
9. Des pièces de rechange agréées par le fabricant peuvent être utilisées pour les entretiens et réparations sous garantie et doivent être fournies gracieusement. Une telle utilisation ne limitera pas l'obligation de garantie de The Toro Company.
10. L'utilisation de pièces ajoutées ou modifiées non agréées par The Toro Company n'est pas autorisée. L'utilisation par l'acheteur de pièces ajoutées

ou modifiées et non agréées constituera un motif de rejet d'une réclamation au titre de la garantie. The Toro Company ne sera pas tenue de couvrir les pannes des pièces sous garantie causées par l'utilisation de pièces ajoutées ou modifiées et non agréées.

Pièces couvertes par la garantie

Les pièces suivantes du système antipollution sont couvertes par la garantie dans la mesure où ces pièces étaient présentes sur le moteur/l'équipement Toro et/ou le système d'alimentation fourni par Toro :

1. Pièces du circuit d'alimentation
 - Carburateur et organes internes
 - Système d'enrichissement pour démarrage à froid (amorçeur ou starter)
 - Pompe à carburant
 - Conduites d'alimentation, raccords et colliers
 - Réservoir de carburant, bouchon et attache
 - Cartouche de charbon actif
2. Système d'admission d'air
 - Filtre à air
 - Collecteur d'admission
 - Évent et conduit(s) de recyclage des gaz du carter
 - Conduite de purge et raccords
3. Circuit d'allumage
 - Bougie(s) d'allumage et fil(s)
 - Circuit d'allumage par magnéto
4. Système d'échappement catalytique
 - Convertisseur catalytique
 - Collecteur d'échappement
 - Système d'injection d'air et soupape(s)
5. Composants divers utilisés dans le système antipollution
 - Valves, contacteurs et tringleries
 - Connecteurs, raccords et supports



La garantie Toro et la garantie de démarrage Toro de 2 ans relative aux moteurs GTS

Une garantie intégrale de deux ans (garantie limitée de 45 jours pour usage commercial)

Power Clear
Souffleuses à neige monophasées

Garantie de démarrage Toro

The Toro Company et sa filiale Toro Warranty Company, en vertu de l'accord passé entre elles, garantissent conjointement le démarrage de votre moteur Toro GTS (Guaranteed to Start) dès le premier ou le deuxième essai, s'il est utilisé à des fins résidentielles normales*, pendant une période de deux (2) ans à compter de la date d'achat d'origine, dans la mesure où vous aurez effectué les entretiens courants requis. Nous nous engageons sinon à le réparer gratuitement. La garantie de démarrage GTS ne s'applique pas pour l'usage commercial.

Cette garantie couvre le coût des pièces et de la main-d'œuvre, mais le transport est à votre charge.

La garantie intégrale Toro

The Toro Company et sa filiale Toro Warranty Company, en vertu de l'accord passé entre elles, s'engagent conjointement à réparer le produit Toro mentionné ci-dessous utilisé à des fins résidentielles normales* s'il présente un défaut de fabrication ou cesse de fonctionner suite à la défaillance d'un composant pendant la période indiquée ci-dessous.

Cette garantie couvre le coût des pièces et de la main-d'œuvre, mais le transport est à votre charge.

Durées de la garantie à partir de la date d'achat d'origine :

Produits	Période de garantie
Souffleuse à neige Power Clear et accessoires	2 ans

Garantie limitée pour usage commercial

Les produits Toro à moteur à essence utilisés à des fins commerciales, par des institutions ou donnés en location sont couverts contre tout défaut de fabrication ou de matériau pendant une période de 45 jours. Les défaillances de composants dues à une usure normale ne sont pas couvertes par cette garantie.

Comment faire intervenir la garantie

Si vous pensez que votre produit Toro présente un vice de matériau ou de fabrication, procédez comme suit :

1. Demandez à un dépositaire-réparateur Toro agréé de prendre en charge votre produit. Pour trouver le dépositaire le plus proche, consultez notre site web à www.toro.com. Vous pouvez aussi appeler les numéros indiqués au point 3 pour consulter notre système permanent de localisation des dépositaires.
2. Lorsque vous vous rendez chez le dépositaire-réparateur, apportez le produit et une preuve d'achat (reçu). Le dépositaire-réparateur diagnostiquera le problème et déterminera s'il est couvert par la garantie.
3. Si, pour une raison quelconque, vous n'êtes pas satisfait du diagnostic de votre dépositaire-réparateur ou des conseils prodigués, n'hésitez pas à nous contacter à l'adresse suivante :

Toro Warranty Company
Customer Care Department, RLC Division
8111 Lyndale Avenue South
Bloomington, MN 55420-1196, États-Unis
Numéro vert : 866-336-5205 (aux États-Unis)
Numéro vert : 866-854-9033 (au Canada)

Responsabilités du propriétaire

L'entretien de votre produit Toro doit être conforme aux procédures décrites dans le *Manuel de l'utilisateur*. Cet entretien courant est à vos frais, qu'il soit effectué par vous-même ou par un dépositaire-réparateur.

Ce que la garantie ne couvre pas

Il n'existe aucune autre garantie expresse, à part la garantie spéciale du système antipollution et du moteur pour certains produits. Cette garantie expresse ne couvre pas :

Autres pays que les États-Unis et le Canada

Pour les produits Toro exportés des États-Unis ou du Canada, demandez à votre distributeur (dépositaire) Toro la police de garantie applicable dans votre pays, région ou état. Si, pour une raison quelconque, vous n'êtes pas satisfait des services de votre distributeur, ou si vous avez du mal à vous procurer l'information de garantie, adressez-vous à l'importateur Toro. En dernier recours, adressez-vous à Toro Warranty Company.

Droits des consommateurs australiens : Les clients australiens trouveront des renseignements concernant le Droit australien de la consommation à l'intérieur de l'emballage ou auprès de leur dépositaire Toro local.

*L'usage résidentiel normal désigne l'utilisation du produit sur le terrain où se trouve votre domicile. L'utilisation dans plusieurs lieux ou par des institutions ou la location est considérée comme un usage commercial, couvert par la garantie commerciale.

- Les frais normaux d'entretien ou de remplacement de pièces d'usure telles que pales de rotor (palettes), lames racleuses, courroies, carburant, lubrifiants, vidanges d'huile, bougies, ampoules, réglages de câble/tringlerie ou des freins.
- Les produits ou pièces ayant subi des modifications ou un usage abusif, ou nécessitant un remplacement ou une réparation en raison d'un accident ou d'un défaut d'entretien.
- Les frais de prise à domicile et de livraison.
- Tout dommage dû à un usage abusif, à un mauvais traitement ou à des accidents.
- Les réparations ou tentatives de réparation par quiconque autre qu'un dépositaire-réparateur Toro agréé.
- Les réparations requises en raison du non respect de la procédure recommandée relative au carburant (consultez le *Manuel de l'utilisateur* pour plus de détails)
 - La décontamination du système d'alimentation n'est pas couverte.
 - L'utilisation de carburant trop ancien (vieux de plus d'un mois) ou de carburant contenant plus de 10 % d'éthanol ou plus de 15 % de MTBE
 - L'omission de la vidange du système d'alimentation avant toute période de non utilisation de plus d'un mois.
- Les réparations ou réglages nécessaires pour corriger les problèmes de démarrage causés par :
 - Le non respect des procédures d'entretien correctes
 - Les dommages subis par la vis sans fin ou les ailettes de la souffeuse à neige qui percutent un obstacle
 - La contamination du circuit d'alimentation
 - L'emploi du mauvais carburant (reportez-vous au *Manuel de l'utilisateur* en cas de doute)
 - L'omission de la vidange du système d'alimentation avant toute période de non utilisation de plus d'un mois.
- Certaines conditions de démarrage exigent un ou plusieurs essais, notamment :
 - Le premier démarrage après une période de non utilisation de plus de trois mois ou après le remisage saisonnier
 - Le non respect des procédures de démarrage
 - Le démarrage à des températures égales ou inférieures à -23 °C (-10 °F)

Si vous avez des difficultés à démarrer le moteur, vérifiez dans le *Manuel de l'utilisateur* que vous suivez bien les procédures de démarrage correctes. Vous éviterez peut-être ainsi une visite inutile chez le réparateur.

Conditions générales

Toutes les réparations couvertes par les présentes garanties doivent être effectuées par un dépositaire-réparateur Toro agréé, à l'aide de pièces de rechange agréées par Toro. La réparation par un dépositaire-réparateur Toro agréé est le seul dédommagement auquel cette garantie donne droit.

The Toro Company et Toro Warranty Company déclinent toute responsabilité en cas de dommages secondaires ou indirects liés à l'utilisation des produits Toro couverts par ces garanties, notamment quant aux coûts et dépenses encourus pour se procurer un équipement ou un service de substitution durant une période raisonnable pour cause de défaillance ou d'indisponibilité en attendant la réparation sous garantie.

L'exclusion de la garantie des dommages secondaires ou indirects n'est pas autorisée dans certains états ou pays, et peut donc ne pas s'appliquer dans votre cas.

Cette garantie vous accorde des droits spécifiques, auxquels peuvent s'ajouter d'autres droits qui varient selon les états.