

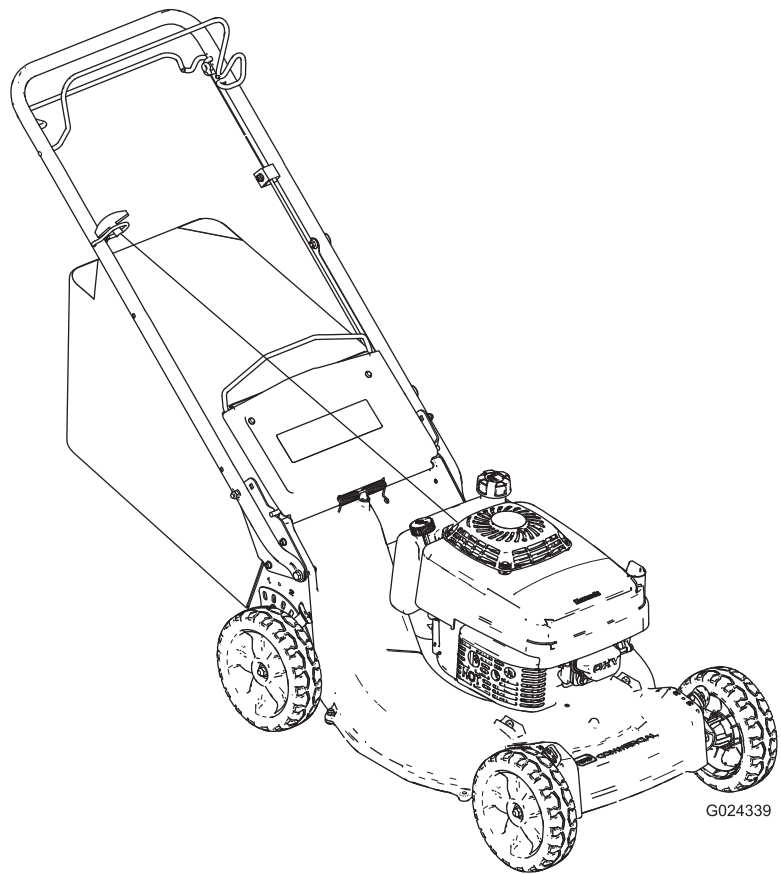


Count on it.

Operator's Manual

53cm Heavy-Duty Recycler®/Rear Bagger Lawn Mower

Model No. 22291—Serial No. 31600001 and Up



G024339



This product complies with all relevant European directives. For details, see the separate product-specific Declaration of Conformity (DOC) sheet.



Figure 2

1. Safety alert symbol

Introduction

This rotary-blade, walk-behind lawn mower is intended to be used by residential homeowners or professional, hired operators. It is designed primarily for cutting grass on well-maintained lawns on residential or commercial properties. It is not designed for cutting brush or for agricultural uses.

Read this information carefully to learn how to operate and maintain your machine properly and to avoid injury and equipment damage. You are responsible for operating the machine properly and safely.

You may contact Toro directly at www.Toro.com for product and accessory information, help finding a dealer, or to register your product.

Whenever you need service, genuine Toro parts, or additional information, contact an Authorized Service Dealer or Toro Customer Service and have the model and serial numbers of your machine ready. [Figure 1](#) identifies the location of the model and serial numbers on the product. Write the numbers in the space provided.

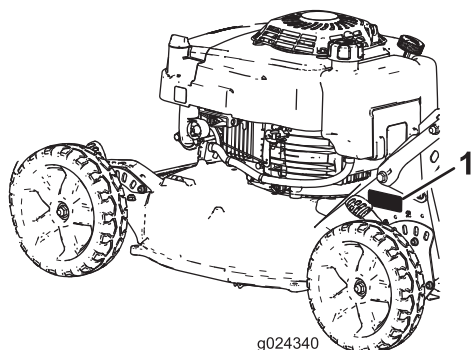


Figure 1

1. Model and serial number plate

Model No. _____
Serial No. _____

This manual identifies potential hazards and has safety messages identified by the safety alert symbol ([Figure 2](#)), which signals a hazard that may cause serious injury or death if you do not follow the recommended precautions.

This manual uses 2 words to highlight information. **Important** calls attention to special mechanical information and **Note** emphasizes general information worthy of special attention.

Net Torque

The gross or net torque of this engine was laboratory rated by the engine manufacturer in accordance with the Society of Automotive Engineers (SAE) J1940. As configured to meet safety, emission, and operating requirements, the actual engine torque on this class of mower will be significantly lower.

Contents

Safety	3
General Lawn Mower Safety	3
Sound Pressure	5
Sound Power	5
Hand/Arm Vibration	5
Safety and Instructional Decals	6
Setup	8
1 Installing the Handle	8
2 Installing the Recoil-Start Rope	10
3 Filling the Crankcase with Oil	10
4 Adjusting the Self-Propel Drive	11
5 Assembling the Grass Bag	11
Product Overview	12
Specifications	12
Operation	12
Checking the Engine-Oil Level	12
Filling the Fuel Tank with Gasoline	13
Adjusting the Cutting Height	13
Starting the Engine	14
Stopping the Engine	14
Operating the Self-Propel Drive	14
Recycling the Clippings	14
Bagging the Clippings	15
Operating Tips	16
Maintenance	17
Recommended Maintenance Schedule(s)	17
Engine Maintenance	18
Servicing the Air Cleaner	18
Changing the Engine Oil	18
Servicing the Spark Plug	19
Drive System Maintenance	19
Adjusting the Self-Propel Drive	19
Blade Maintenance	20
Maintaining the Blade	20
Cleaning	22
Cleaning under the Machine	22
Cleaning the Wheels	23
Storage	23
Preparing the Fuel System	23
Preparing the Engine	23
General Information	24
Removing the Machine from Storage	24
Troubleshooting	25

Safety

This machine has been designed in accordance with EN ISO 5395:2013.

Improperly using or maintaining this machine can result in injury. To reduce the potential for injury, comply with these safety instructions.

To ensure maximum safety, best performance, and to gain knowledge of the product, it is essential that you and any other operator of the mower read and understand the contents of this manual before the engine is ever started. Pay particular attention to the safety alert symbol (Figure 2), which means Caution, Warning, or Danger. Read and understand the instruction because it has to do with safety. Failure to comply with the instruction may result in personal injury.

General Lawn Mower Safety

This cutting machine is capable of amputating hands and feet and of throwing objects. Failure to observe the following safety instructions could result in serious injury or death.

Training

- Read the instructions carefully. Be familiar with the controls and the proper use of the equipment.
- Never allow children or people unfamiliar with these instructions to use the machine. Local regulations can restrict the age of the operator.
- Keep in mind that the operator or user is responsible for accidents or hazards occurring to other people or their property.
- Understand explanations for all pictograms used on the machine or in the instructions.

Gasoline

WARNING-Gasoline is highly flammable. Take the following precautions.

- Store fuel in containers specifically designed for this purpose.
- Refuel outdoors only and do not smoke while refueling.
- Add fuel before starting the engine. Never remove the cap of the fuel tank or add gasoline while the engine is running or when the engine is hot.
- If gasoline is spilled, do not attempt to start the engine but move the machine away from the area of spillage and avoid creating any source of ignition until gasoline vapors have dissipated.
- Replace all fuel tank and container caps securely.

Preparation

- While mowing, always wear substantial, slip-resistant footwear and long trousers. Do not operate the equipment when barefoot or wearing open sandals.
- Thoroughly inspect the area where the equipment is to be used and remove all stones, sticks, wires, bones and other foreign objects.
- Before using, always visually inspect to see that guards and safety devices, such as deflectors and/or grass catchers, are in place and working correctly.
- Before using, always visually inspect to see that the blades, blade bolts and cutter assembly are not worn or damaged. Replace worn or damaged blades and bolts in sets to preserve balance.

Starting

- Do not tilt the machine when starting the engine unless the machine must be tilted for starting. In this case, do not tilt it more than absolutely necessary and lift only the part which is away from the operator.
- Start the engine carefully according to instructions and with feet well away from the blade(s) and not in front of the discharge chute.

Operation

- Never mow while people, especially children, or pets are nearby.
- Mow only in daylight or in good artificial light.
- Stay alert for holes in the terrain and other hidden hazards.
- Do not put hands or feet near or under rotating parts. Keep clear of the discharge opening at all times.
- Never pick up or carry a lawn mower while the engine is running.
- Use extreme caution when reversing or pulling a pedestrian-controlled mower toward you.
- Walk, never run.
- Slopes:
 - Do not mow excessively steep slopes.
 - Exercise extreme caution when on slopes.
 - Mow across the face of slopes, never up and down, and exercise extreme caution when changing direction on slopes.
 - Always be sure of your footing on slopes.
- Reduce speed on slopes and in sharp turns to prevent overturning or loss of control.
- Stop the blade if the machine must be tilted for transportation when crossing surfaces other than grass and when transporting the machine to and from the area to be mowed.
- Do not operate the engine in a confined space where dangerous carbon monoxide and other exhaust gasses can collect.

- Stop the engine
 - whenever you leave the machine.
 - before refueling.
 - before removing the grass catcher.
 - before making height adjustment unless adjustment can be made from the operating position.
- Stop the engine and disconnect the spark-plug wire.
 - before clearing blockages or unclogging chute.
 - before checking, cleaning or working on the machine.
 - after striking a foreign object, inspect the machine for damage and make repairs before restarting and operating the machine.
 - if the machine starts to vibrate abnormally (check immediately).
- Lightning can cause severe injury or death. If you see lightning or hear thunder in the area, do not operate the machine; seek shelter.
- Watch out for traffic when crossing or near roadways.

Maintenance and Storage

- Keep all nuts, bolts, and screws tight to be sure that the equipment is in safe working condition.
- Do not use pressure-cleaning equipment on the machine.
- Never store the equipment with gasoline in the tank and inside a building where fumes can reach an open flame or spark.
- Allow the engine to cool before storing in any enclosure.
- To reduce the fire hazard, keep the engine, silencer, battery compartment and gasoline storage area free of grass, leaves, or excessive grease.
- Check grass catcher components and the discharge guard frequently and replace with manufacturer's recommended parts, when necessary.
- Replace worn or damaged parts for safety.
- Replace faulty silencers.
- If the fuel tank has to be drained, do this outdoors.
- Do not change the engine governor settings or overspeed the engine. Operating an engine at excessive speed can increase the hazard of personal injury.
- Be careful while adjusting the machine to prevent entrapment of the fingers between moving blades and fixed parts of the machine.
- **To ensure the best performance and safety, purchase only genuine Toro replacement parts and accessories. Do not use *will fit* parts and accessories; they may cause a safety hazard.**

Hauling

- Use care when loading or unloading the machine into a trailer or a truck.

- Use full-width ramps for loading the machine into a trailer or a truck.
- Tie the machine down securely using straps, chains, cable, or ropes. Both the front and the rear straps should be directed down and outward from the machine.

Sound Pressure

This unit has a sound pressure level at the operator's ear of 88 dBA, which includes an Uncertainty Value (K) of 1 dBA.

The sound pressure level was determined according to the procedures outlined in EN ISO 5395:2013.

Sound Power

This unit has a guaranteed sound power level of 98 dBA, which includes an Uncertainty Value (K) of 1 dBA.

The sound power level was determined according to the procedures outlined in ISO 11094.

⚠ CAUTION

Long-term exposure to noise while operating the machine may cause some hearing loss.

Wear adequate hearing protection whenever you operate the machine for an extended period of time.

Hand/Arm Vibration

Measured vibration level for left hand = 2.3 m/s²

Measured vibration level for right hand = 2.7 m/s²

Uncertainty Value (K) = 1.4 m/s²

Measured values were determined according to the procedures outlined in EN ISO 5395:2013.

⚠ CAUTION

Long-term exposure to vibration while operating the machine may cause some numbness in the hands and wrists.

Wear gloves that dampen the vibration whenever you operate the machine for an extended period of time.

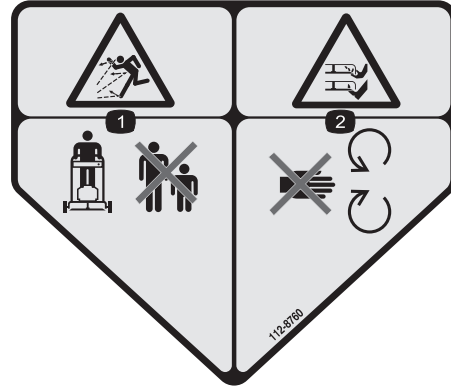
Safety and Instructional Decals

Important: Safety and instruction decals are located near areas of potential danger. Replace damaged decals.



Manufacturer's Mark

1. Indicates the blade is identified as a part from the original machine manufacturer.



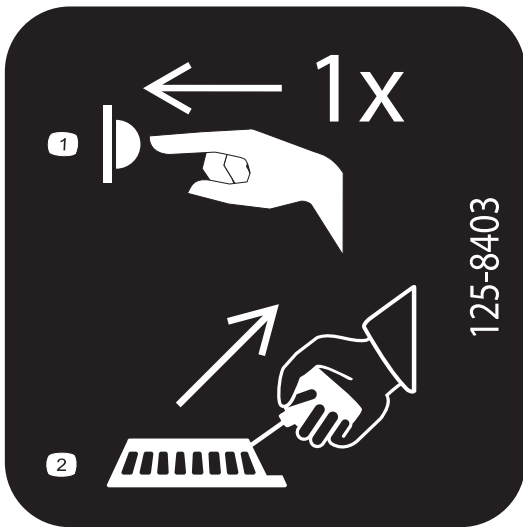
112-8760

1. Thrown object hazard—keep bystanders a safe distance from the machine.
2. Cutting/dismemberment of hand or foot—stay away from moving parts.



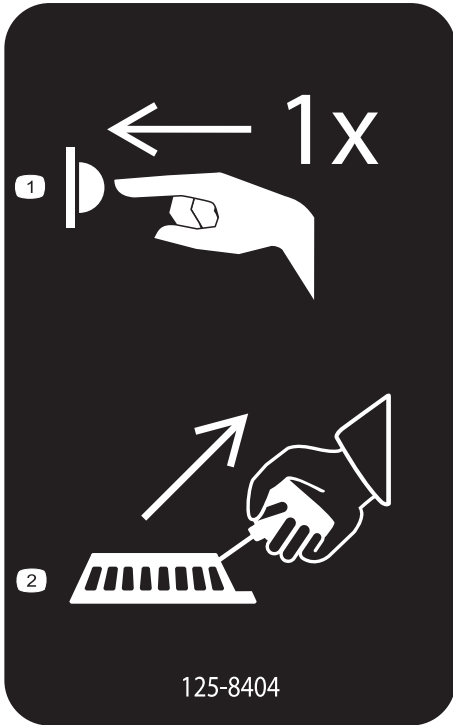
116-7583

1. Warning—Read the *Operator's Manual*. Do not operate this machine unless you are trained.
2. Thrown object hazard—keep bystanders a safe distance from the machine.
3. Thrown object hazard—Do not operate the mower without the rear discharge plug or bag in place.
4. Cutting/dismemberment hazard of hand or foot, mower blade—stay away from moving parts; keep all guards in place.
5. Warning—wear hearing protection.
6. Cutting/dismemberment hazard of hand or foot, mower blade—Do not operate up and down slopes; operate side to side on slopes; stop the engine before leaving the operating position—pick up objects that could be thrown by the blades; and look behind you when backing up.



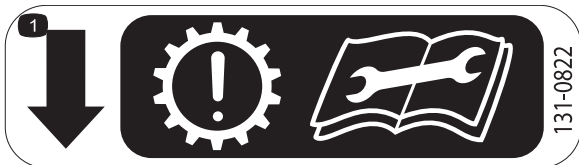
125-8403

1. Push the primer once.
2. Pull the recoil-start handle.



125-8404

1. Push the primer once.
2. Pull the recoil-start handle.



131-0822

1. Self-propel drive—Attention; premature wear of the transmission may occur if the belt is over-tightened; before servicing or performing maintenance, read the *Operator's Manual*.

Setup

Loose Parts

Use the chart below to verify that all parts have been shipped.

Procedure	Description	Qty.	Use
1	Handle	1	Install the handle.
	Hex-head-flange bolt (5/16 x 1-1/2 inches)	2	
	Carriage bolt (5/16 x 1-1/2 inches)	2	
	Flange nut (5/16 inch)	4	
2	No parts required	—	Install the recoil-start rope.
3	No parts required	—	Fill the crankcase with oil.
4	No parts required	—	Adjust the self-propel drive.
5	No parts required	—	Assemble the grass bag.

Note: Determine the left and right sides of the machine from the normal operating position.

1

Installing the Handle

Parts needed for this procedure:

1	Handle
2	Hex-head-flange bolt (5/16 x 1-1/2 inches)
2	Carriage bolt (5/16 x 1-1/2 inches)
4	Flange nut (5/16 inch)

Procedure

1. Remove the cable guard from the handle (Figure 3) by removing the 2 carriage bolts and 2 locknuts that hold the cable guard to the handle.

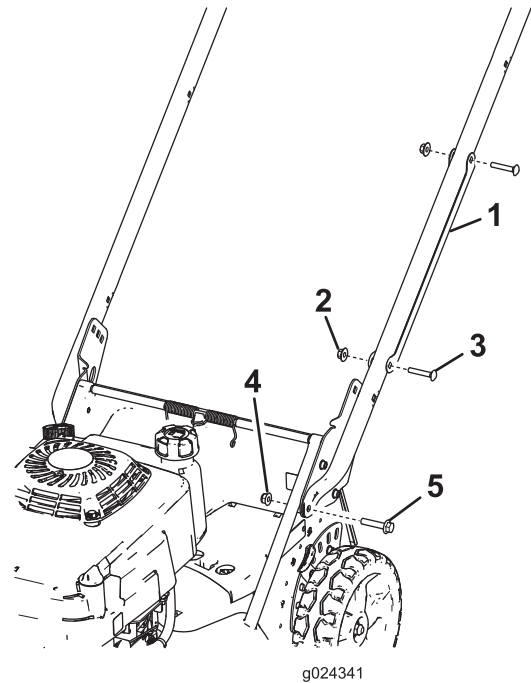


Figure 3

1. Cable guard
2. Locknut (2)
3. Carriage bolt—1/4 x 1-1/2 inches (2)
4. Flange nut—5/16 inch (2)
5. Hex-head-flange bolt—5/16 x 1-1/2 inches (2)

Note: Save the guard, the carriage bolts, and the locknuts so that you can install it onto the handle later in this procedure.

2. Install the handle ends onto the mower housing with 2 hex-head-flange bolts (5/16 x 1-1/2 inches) and 2 flange nuts (5/16 inch) as shown in [Figure 3](#).
3. Set the machine to the desired cutting height; refer to [Adjusting the Cutting Height](#) (page 13).
4. Route the control cables between the deck and the handle to protect the cables from being damaged ([Figure 4](#)).

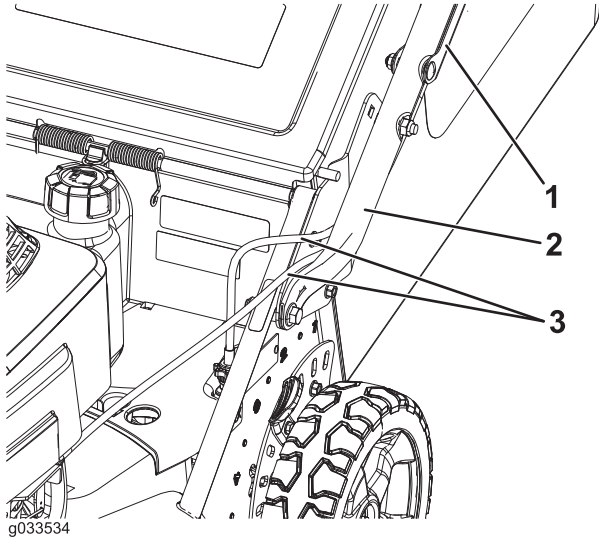


Figure 4

- | | |
|----------------|-------------|
| 1. Cable guard | 3. Cable(s) |
| 2. Handle | |

6. Secure the handle onto the handle brackets at your desired handle height with 2 carriage bolts (5/16 x 1-1/2 inches) and 2 flange nuts (5/16 inch) as shown in [Figure 6](#).

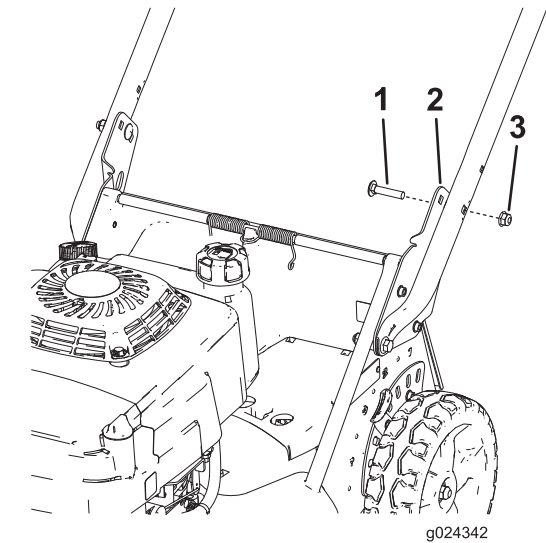


Figure 6

- | | |
|--|-----------------------------|
| 1. Carriage bolt—5/16 x 1-1/2 inches (2) | 3. Flange nut—5/16 inch (2) |
| 2. Handle bracket (2) | |

5. Stand behind the machine in the operating position to determine the handle height that is most comfortable for you ([Figure 5](#)).

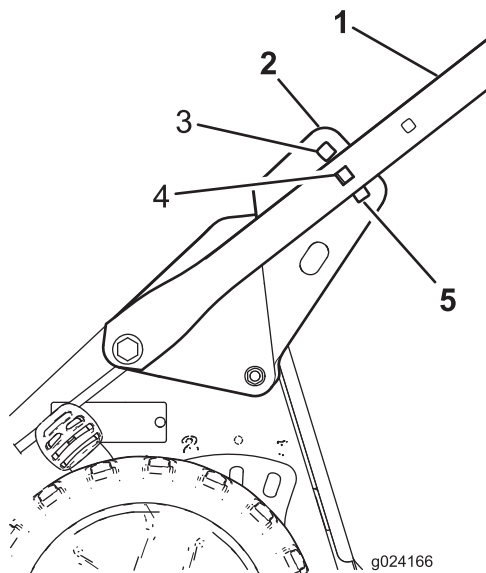


Figure 5

- | | |
|--------------------------|-------------------------|
| 1. Handle | 4. Medium handle height |
| 2. Handle bracket (2) | 5. Lowest handle height |
| 3. Highest handle height | |

7. Position the cable guard onto the handle **with the cable(s) inside the guard**, and secure the guard to the handle with the 2 carriage bolts and the 2 locknuts that you previously removed ([Figure 3](#)).

Important: Ensure that you do not pinch the cable(s) to the handle when you install the cable guards onto the handle.

2

Installing the Recoil-Start Rope

No Parts Required

Procedure

Pull the recoil-start rope through the rope guide on the handle (Figure 7).

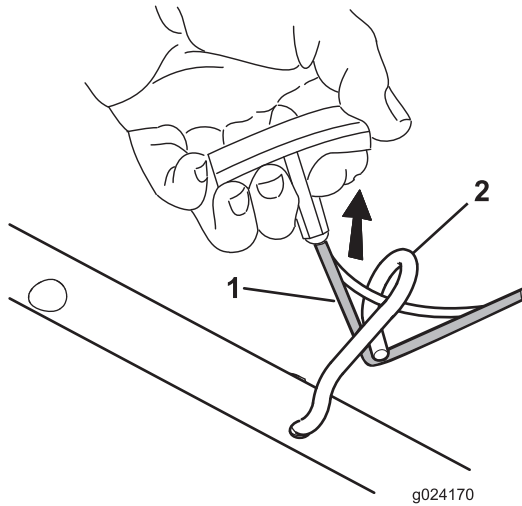


Figure 7

1. Recoil-start rope
2. Rope guide

Note: To make the rope easier to install, squeeze the blade-control bar on the handle.

3

Filling the Crankcase with Oil

No Parts Required

Procedure

The engine crankcase is shipped without oil. Before starting the engine, fill the crankcase with oil. The engine crankcase (with oil filter) can hold 0.65 L (22 oz) of oil. Use only high-quality SAE 10W-30 weight detergent oil that has the American Petroleum Institute (API) service classification SH, SJ, or equivalent.

Before each use, ensure that the oil level is between the Add and the Full marks on the dipstick (Figure 8).

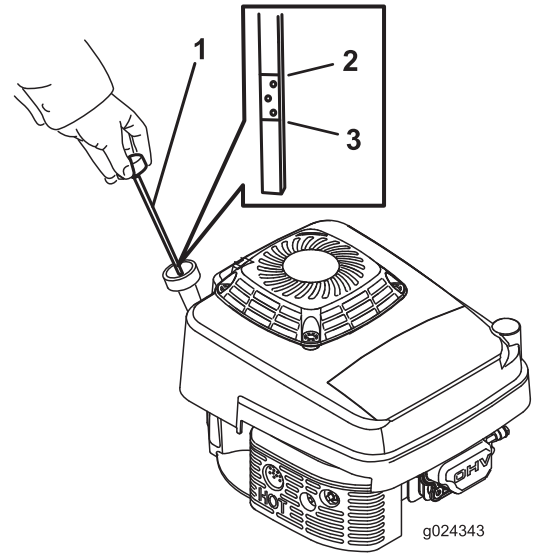


Figure 8

1. Dipstick
2. Full mark
3. Add mark

Note: When the crankcase is empty, pour about 3/4 of the crankcase capacity of oil in the crankcase, then follow the procedure in this section.

1. Move the machine onto a level surface.
2. Clean around the dipstick (Figure 8).
3. Remove the dipstick by rotating the cap counterclockwise and pulling it out.
4. Wipe the dipstick clean with a clean cloth.
5. Insert the dipstick into the filler neck, then remove the dipstick.
6. Read the oil level on the dipstick.
 - If the oil level is below the Add mark on the dipstick, slowly pour a small amount of oil into the oil-fill tube, wait 3 minutes, and repeat steps 4

through 6 until the oil level is at the Full mark on the dipstick.

- If the oil level is above the Full mark on the dipstick, drain the excess oil until the oil level on the dipstick is at the Full mark. Refer to [Changing the Engine Oil](#) (page 18).

Important: If the oil level in the crankcase is too low or too high and you run the engine, you may damage the engine.

7. Insert the dipstick into the filler neck and rotate the cap clockwise until it is tight.

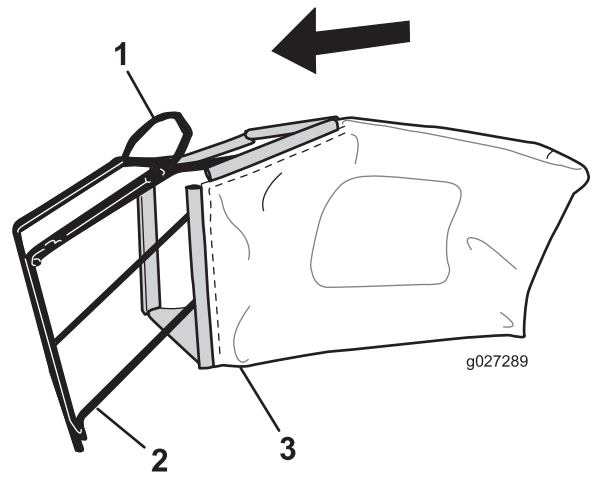


Figure 9

1. Handle
2. Frame
3. Grass bag

Note: Do not slip the bag over the handle (Figure 9).

2. Hook the bottom channel of the bag onto the bottom of the frame (Figure 10).

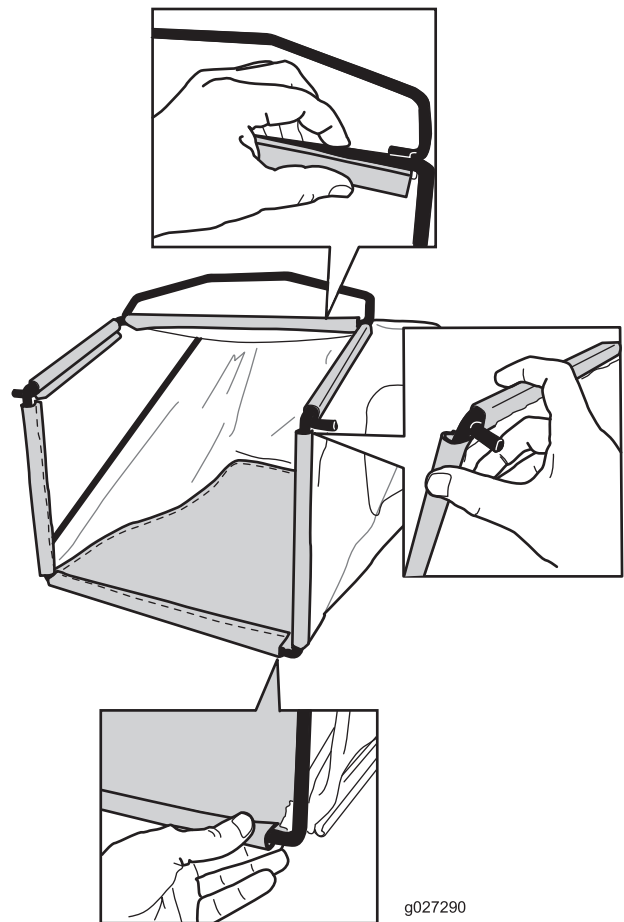


Figure 10

3. Hook the top and side channels of the bag onto the top and sides of the frame, respectively (Figure 10).

4

Adjusting the Self-Propel Drive

No Parts Required

Procedure

Important: You must adjust the self-propel-drive cable before you operate the machine for the first time. Refer to [Adjusting the Self-Propel Drive](#) (page 19).

5

Assembling the Grass Bag

No Parts Required

Procedure

1. Slip the grass bag over the frame as shown in Figure 9.

Product Overview

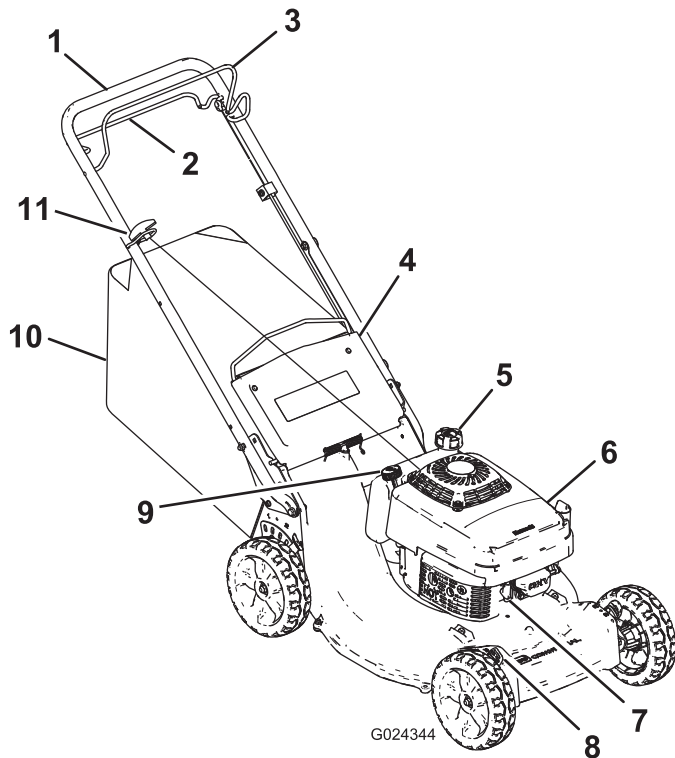


Figure 11

- | | |
|--------------------------|-----------------------------|
| 1. Handle | 7. Spark plug |
| 2. Self-propel-drive bar | 8. Cutting-height lever (4) |
| 3. Blade-control bar | 9. Oil fill/dipstick |
| 4. Rear door | 10. Grass bag |
| 5. Fuel-tank cap | 11. Recoil-start handle |
| 6. Air cleaner | |

Specifications

Weight	56 kg (124 lb)
Length	161 cm (64 inches)
Width	55 cm (22 inches)
Height	88 cm (35 inches)

Operation

Note: Determine the left and right sides of the machine from the normal operating position.

Each time before you mow, ensure that the self-propel drive and the blade-control bar operate properly. When you release the blade-control bar, the blade and the self-propel drive should stop. If they do not, contact an Authorized Service Dealer.

⚠ CAUTION

This machine produces sound levels in excess of 85dBA at the operator's ear and can cause hearing loss through extended periods of exposure.

Wear hearing protection when operating this machine.



Figure 12

1. Warning—wear hearing protection.

Checking the Engine-Oil Level

Service Interval: Before each use or daily—Check the engine-oil level.

Before you use the machine, ensure that the oil level is between the Add and the Full marks as shown on the dipstick (Figure 13).

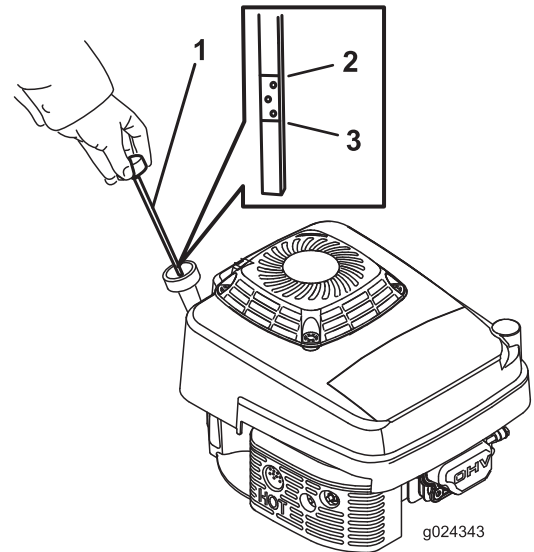


Figure 13

1. Dipstick
2. Full mark
3. Add mark

If the oil level is below the Add mark, add oil. Refer to 3 Filling the Crankcase with Oil (page 10).

Filling the Fuel Tank with Gasoline

⚠ DANGER

Gasoline is extremely flammable and explosive. A fire or explosion from gasoline can burn you and others.

- To prevent a static charge from igniting the gasoline, place the container and/or machine directly on the ground before filling, not in a vehicle or on an object.
- Fill the tank outdoors when the engine is cold. Wipe up spills.
- Do not handle gasoline when smoking or around an open flame or sparks.
- Store gasoline in an approved fuel container, out of the reach of children.
- For best results, use only clean, fresh (less than 30 days old), unleaded gasoline with an octane rating of 87 or higher ((R+M)/2 rating method).
- Oxygenated fuel with up to 10% ethanol or 15% MTBE by volume is acceptable.
- **Ethanol:** Gasoline with up to 10% ethanol (gasohol) or 15% MTBE (methyl tertiary butyl ether) by volume is acceptable. Ethanol and MTBE are not the same. Gasoline with 15% ethanol (E15) by volume is not approved for use. **Never use gasoline that contains more than 10% ethanol by volume**, such as E15 (contains 15% ethanol), E20 (contains 20% ethanol), or E85 (contains up to 85% ethanol). Using unapproved gasoline may cause performance problems and/or engine damage which may not be covered under warranty.
- Do not use gasoline containing methanol.
- Do not store fuel either in the fuel tank or in fuel containers over the winter unless a fuel stabilizer is used.
- Do not add oil to gasoline.

Important: To reduce starting problems, add fuel stabilizer to the fuel all season, mixing it with gasoline less than 30 days old.

Note: The capacity of the fuel tank is 1.8 L (0.47 US gallon).

Adjusting the Cutting Height

You can change the cutting height at each wheel by adjusting a cutting-height lever. Cutting heights are 25 mm (1 inch), 38 mm (1-1/2 inches), 51 mm (2 inches), 64 mm (2-1/2 inches), 76 mm (3 inches), 89 mm (3-1/2 inches), 102 mm (4 inches), 114 mm (4-1/2 inches).

⚠ DANGER

Adjusting the cutting-height levers could bring your hands into contact with a moving blade and result in serious injury.

- Stop the engine and wait for all movement to stop before adjusting the cutting height.
- Do not put your fingers under the housing when adjusting the cutting height.

1. Pull the cutting-height lever toward the wheel (Figure 14) and move the lever to the desired setting.

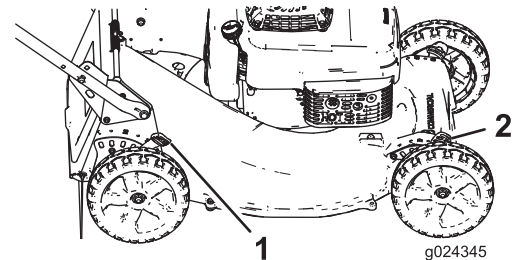


Figure 14

1. Rear cutting-height lever (2)
2. Front cutting-height lever (2)

2. Release the cutting-height lever and seat it securely in the notch.
3. Adjust all the wheels to the same cutting-height setting.

Starting the Engine

1. Connect the spark-plug wire to the spark plug.
2. Firmly push in the primer (Figure 15), holding the primer bulb in for 1 second.

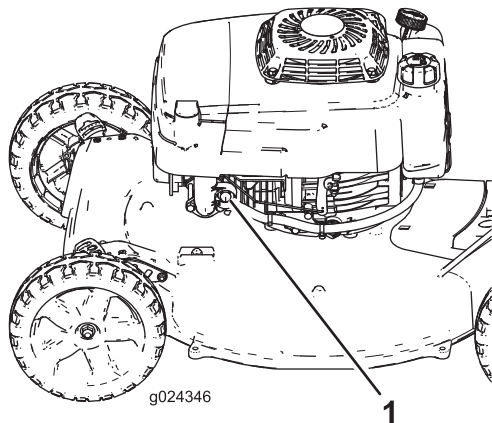


Figure 15

1. Primer

3. Hold the blade-control bar against the upper handle (Figure 16).

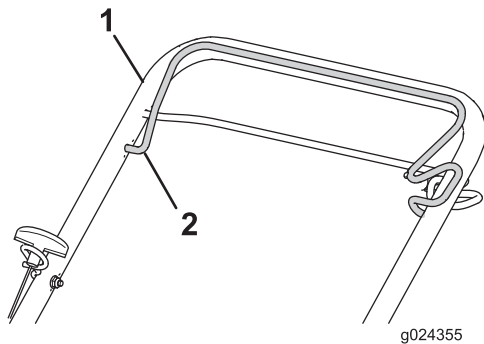


Figure 16

1. Upper handle
2. Blade-control bar

4. Pull the starter handle lightly until you feel resistance, pull it sharply, then allow it to return slowly to the rope guide on the handle.

Note: If the engine does not start, repeat steps 2 through 4.

Stopping the Engine

Release the blade-control bar. Both the engine and the blade should stop within 3 seconds. If they do not, contact an Authorized Service Dealer.

Operating the Self-Propel Drive

- **To engage the self-propel-drive:** Squeeze the self-propel-drive bar against the handle and hold it (Figure 17).

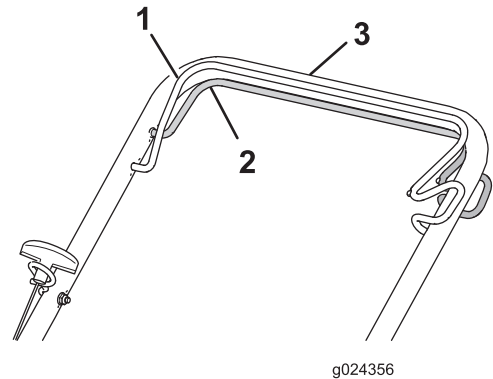


Figure 17

1. Blade-control bar (shown engaged)
2. Self-propel-drive bar
3. Upper handle engaged

Note: The maximum self-propel-drive speed is fixed. To reduce the speed, increase the space between the self-propel-drive bar and the handle.

- **To disengage the self-propel drive:** Release the self-propel-drive bar.

Note: The machine comes with freewheeling clutches that make it easier to pull the machine rearward. To disengage the clutches, you may need to push the machine forward about 2.5 cm (1 inch) or more after you release the self-propel-drive bar.

Recycling the Clippings

This machine comes from the factory ready to recycle grass and leaf clippings back into the lawn. To prepare the machine to recycle:

- If the grass bag is on the machine, remove it; refer to [Removing the Grass Bag](#) (page 15).
- If the rear-discharge plug is not installed, grip it by the handle, raise the rear door, and insert it into the rear-discharge chute until the latch locks into place (Figure 18).

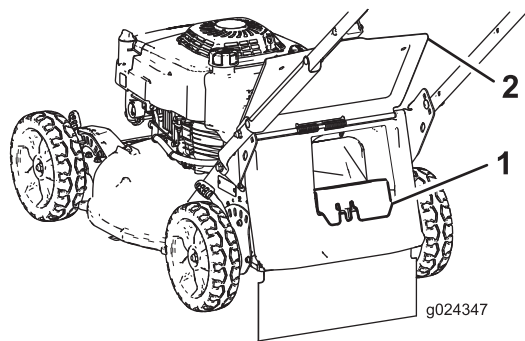


Figure 18

1. Rear-discharge plug
2. Rear door

⚠ WARNING

Operating the machine to recycle lawn clippings without the plug in place allows objects to be thrown in your direction or in the direction of bystanders. Also, contact with the blades could occur. Thrown objects or blade contact can cause serious injury or death.

Ensure that the rear-discharge plug is in place before you recycle the clippings. Never engage the blades without either the rear-discharge plug or the grass bag installed on the machine.

Bagging the Clippings

Use the grass bag when you want to collect grass and leaf clippings from the lawn.

⚠ WARNING

A worn grass bag could allow small stones and other similar debris to be thrown toward you or bystanders, resulting in serious personal injury or death.

Check the grass bag frequently. If it is damaged, install a new Toro replacement bag.

⚠ WARNING

The blades are sharp; contacting the blades can result in serious personal injury.

Stop the engine and wait for all moving parts to stop before leaving the operating position.

Installing the Grass Bag

1. Stop the engine and wait for all moving parts to stop.
2. Raise and hold up the rear door (Figure 19).

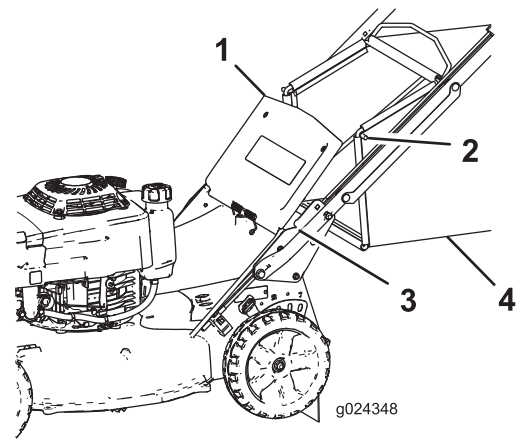


Figure 19

1. Rear door
2. Bag-rod end (2)
3. Notch (2)
4. Grass bag

3. Remove the rear-discharge plug by pushing in the latch with your thumb and pulling the plug out from the machine (Figure 18).
4. Install the bag-rod ends into the notches at the base of the handle, and rock the bag back and forth to ensure that the bag-rod ends are seated at the bottom of both notches (Figure 19).
5. Lower the rear door until it rests on the grass bag.

Removing the Grass Bag

⚠ DANGER

The machine can throw grass clippings and other objects through an opening in the machine housing. Objects thrown with enough force could cause serious personal injury or death to you or to bystanders.

- Never remove the grass bag and then start the engine without the discharge plug installed on the machine.
 - Never open the rear door on the machine when the engine is running.
1. Stop the engine and wait for all moving parts to stop.
 2. Raise the rear door.
 3. Remove the bag rod on the grass bag from the notches at the base of the handle (Figure 19).
 4. Install the discharge plug; refer to [Recycling the Clippings](#) (page 14).
 5. Lower the rear door.

Operating Tips

General Tips

- Review the safety instructions and read this manual carefully before operating the machine.
- Clear the area of sticks, stones, wire, branches, and other debris that the blade could hit and throw.
- Keep everyone, especially children and pets, away from the area of operation.
- Avoid striking trees, walls, curbs, or other solid objects. Never deliberately mow over any object.
- If the machine strikes an object or starts to vibrate, immediately stop the engine, disconnect the wire from the spark plug, and examine the machine for damage.
- Maintain a **sharp blade** throughout the cutting season. Periodically file down nicks on the blade.
- Replace the blade when necessary with an original Toro replacement blade.
- Mow only dry grass or leaves. Wet grass and leaves tend to clump on the yard and can cause the machine to plug or the engine to stall.

⚠ WARNING

Wet grass or leaves can cause serious injury if you slip and contact the blade.

Mow only in dry conditions.

- Clean under the machine after each mowing; refer to [Cleaning under the Machine \(page 22\)](#).
- Keep the engine in good running condition.
- Clean the air filter frequently. Mulching stirs up more clippings and dust which clogs the air filter and reduces engine performance.
- Set the engine speed to the fastest position for the best cutting results.

⚠ WARNING

Operating a machine with its engine running at a speed greater than the factory setting can cause the machine to throw a part of the blade or engine at you or bystanders, resulting in serious personal injury or death.

- **Do not change the engine speed setting.**
- **If you suspect the engine speed is faster than normal, contact an Authorized Service Dealer.**

Cutting Grass

- Grass grows at different rates at different times of the year. In the summer heat, it is best to cut grass at the 64

mm (2-1/2 inch), 76 mm (3 inch), or 89 mm (3-1/2 inch) cutting-height settings. Cut only about a third of the grass blade at a time. Do not cut below the 64 mm (2-1/2 inch) setting unless the grass is sparse or it is late fall when grass growth begins to slow down.

- When cutting grass over 15 cm (6 inches) tall, first mow at the highest cutting height setting and walk slower; then mow again at a lower setting for the best lawn appearance. If the grass is too long and the leaves clump on top of the lawn, the machine may plug and cause the engine to stall.
- Alternate the mowing direction. This helps disperse the clippings over the lawn for even fertilization.

If the finished lawn appearance is unsatisfactory, try 1 or more of the following:

- Sharpen the blade.
- Walk at a slower pace while mowing.
- Raise the cutting height on your machine.
- Cut the grass more frequently.
- Overlap cutting swaths instead of cutting a full swath with each pass.

Cutting Leaves

- After cutting the lawn, ensure that half of the lawn shows through the cut leaf cover. You may need to make more than a single pass over the leaves.
- For light leaf coverage, set all the wheels at the same cutting height setting.
- Slow down your mowing speed if the machine does not cut the leaves finely enough.

Maintenance

Note: Determine the left and right sides of the machine from the normal operating position.

Recommended Maintenance Schedule(s)

Maintenance Service Interval	Maintenance Procedure
After the first 8 hours	<ul style="list-style-type: none"> • Change the engine oil.
After the first 25 hours	<ul style="list-style-type: none"> • Tighten any loose fasteners.
Before each use or daily	<ul style="list-style-type: none"> • Check the engine-oil level. • Inspect the mower blades for wear or damage. • Inspect the accelerator for wear or damage. • Remove grass clippings and dirt from under the machine. • Check the stopping time of the blade brake. The blade must stop within 3 seconds of releasing the blade-control bar; if it does not, contact an Authorized Service Dealer for repair. • Check for loose or missing fasteners on the engine. • Check for fuel or oil leaks. • Check or clean the recoil starter and the air-intake screen.
Every 25 hours	<ul style="list-style-type: none"> • Clean the foam pre-cleaner (more frequently in dusty conditions).
Every 40 hours	<ul style="list-style-type: none"> • Clean the wheels and gears.
Every 50 hours	<ul style="list-style-type: none"> • Change the engine oil (more frequently in dusty conditions). • Sharpen or replace the blade. Maintain it more frequently if the edge dulls quickly in rough or in sandy conditions.
Every 100 hours	<ul style="list-style-type: none"> • Inspect, clean, and adjust the spark plug gap; replace the spark plug if necessary. • Tighten any loose fasteners. • Check or clean the recoil starter and the air-intake screen.
Every 200 hours	<ul style="list-style-type: none"> • Have an authorized engine servicing dealer check for leaks in the fuel system and/or a deteriorating fuel hose. Replace parts if necessary.
Every 300 hours	<ul style="list-style-type: none"> • Replace the paper air filter (more frequently in dusty conditions). • Clean the cylinder and the cylinder-head fins. • Have an authorized engine servicing dealer check and adjust the engine idle speed. • Have an authorized engine servicing dealer clean the combustion chamber. • Have an authorized engine servicing dealer check and adjust the valve clearance. • Have an authorized engine servicing dealer clean and lap the valve seating surface.

Important: Refer to your engine owner's manual for additional maintenance procedures.

⚠ CAUTION

If you leave the wire on the spark plug, someone could accidentally start the engine and seriously injure you or bystanders.

Disconnect the wire from the spark plug before you do any maintenance. Set the wire aside so that it does not accidentally contact the spark plug.

Engine Maintenance

Servicing the Air Cleaner

Service Interval: Every 25 hours—Clean the foam pre-cleaner (more frequently in dusty conditions).

Every 300 hours—Replace the paper air filter (more frequently in dusty conditions).

Important: Do not operate the engine without the air filter assembly in place; otherwise, extreme engine damage will occur.

1. Stop the engine and wait for all moving parts to stop.
2. Disconnect the wire from the spark plug.
3. Loosen the screw on the air-cleaner cover (Figure 20).

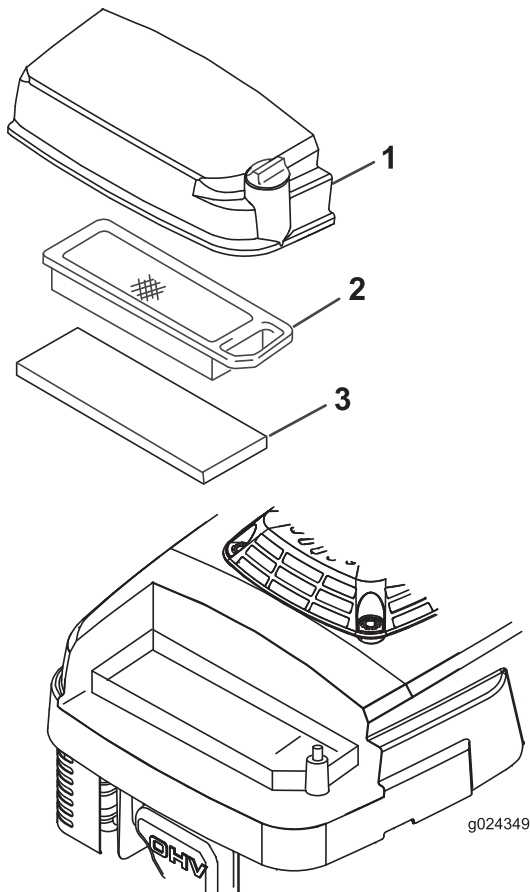


Figure 20

1. Air-cleaner cover
2. Paper air filter
3. Foam pre-cleaner

4. Remove the cover and clean it thoroughly.
5. Remove and inspect the paper air filter (Figure 20), and replace it if it is excessively dirty.

Important: Do not try to clean a paper filter.

6. Remove the foam pre-cleaner (Figure 20) and wash it with a mild detergent and water, then blot it dry.

7. Install the foam pre-cleaner.
8. Install the paper air filter.
9. Install the cover and secure it with the screw.

Changing the Engine Oil

Service Interval: After the first 8 hours

Every 50 hours

1. Run the engine to warm the engine oil.

Note: Warm oil flows better and carries more contaminants.

⚠ WARNING

Oil may be hot after engine has been run, and contact with hot oil can cause severe personal injury.

Avoid contacting the hot engine oil when you drain it.

2. Stop the engine and wait for all moving parts to stop.
3. Disconnect the wire from the spark plug.
4. Drain the gasoline from the fuel tank.
5. Place a suitable drain pan under the dipstick/oil drain.
6. Clean around the dipstick.
7. Remove the dipstick by rotating the cap counterclockwise and pulling it out.
8. Tip the machine onto its **right** side (air filter up) to drain the oil into the drain pan.
9. After draining the oil, return the machine to the operating position.
10. Fill the crankcase to the Full mark on the dipstick with fresh oil; refer to [3 Filling the Crankcase with Oil \(page 10\)](#).
11. Insert the dipstick into the filler neck and rotate the cap clockwise until it is tight.
12. Wipe up any spilled oil.
13. Recycle the used oil according to local codes.

Servicing the Spark Plug

Service Interval: Every 100 hours—Inspect, clean, and adjust the spark plug gap; replace the spark plug if necessary.

Use an **NGK BPR5ES** spark plug or equivalent.

1. Stop the engine and wait for all moving parts to stop.
2. Disconnect the wire from the spark plug.
3. Clean around the spark plug.
4. Remove the spark plug from the cylinder head.

Important: Replace a cracked, fouled, or dirty spark plug. Do not clean the electrodes because grit entering the cylinder can damage the engine.

5. Set the gap on the plug to 0.76 mm (0.030 inch) (Figure 21).

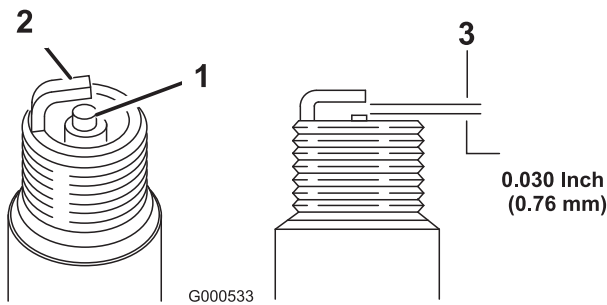


Figure 21

1. Center-electrode insulator
2. Side electrode
3. Air gap (not to scale)

6. Carefully install the spark plug by hand (to avoid cross threading) until it is hand tight.
7. Tighten the spark plug to 23 N-m (2.3 kgf-m, 17 ft-lb).

Important: A loose spark plug can become very hot and can damage the engine; overtightening a spark plug may damage the threads in the cylinder head.

8. Connect the wire to the spark plug.

Drive System Maintenance

Adjusting the Self-Propel Drive

Note: If the machine is new, does not self-propel, or tends to creep forward, adjust the drive cable.

1. Move the machine outside and onto a paved surface near a solid wall to safely prevent the machine from moving forward while the engine is running.
2. Position the machine with the front tires against the wall.

Note: Ensure that the area is well ventilated and clear of debris that could be thrown by the machine.

3. Start the engine; refer to [Starting the Engine](#) (page 14).
4. Pull the self-propel-drive bar to the handle.

Note: The wheels should start to turn as the self-propel-drive bar just touches the handle.

5. Shut off the engine.
6. If you must adjust the machine, do one of the following:

- If the wheels do not spin when you engage the self-propel-drive bar, the traction belt is too loose. Rotate the wheel-drive-control knob (Figure 22) clockwise 1 turn and repeat steps 3 through 5.

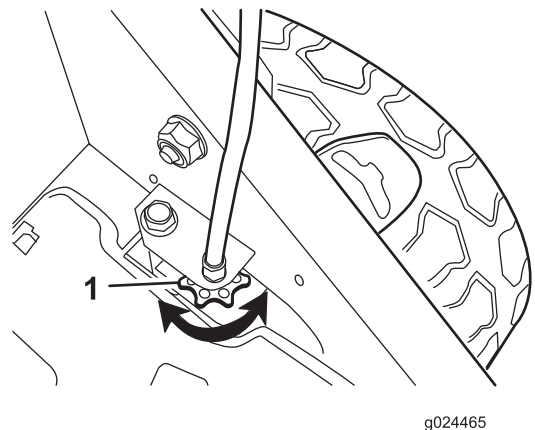


Figure 22

1. Wheel-drive-control knob

- If the wheels spin before you fully engage the self-propel-drive bar, the traction belt is too tight. Rotate the wheel-drive-control knob (Figure 22) counterclockwise 1 turn and repeat steps 3 through 5.

7. For a new traction belt, rotate the wheel-drive-control knob clockwise 1 additional turn to allow for stretching of the belt during the break-in period.

Note: You can skip this step if you are adjusting a used belt.

Blade Maintenance

Maintaining the Blade

Always mow with a sharp blade. A sharp blade cuts cleanly and without tearing or shredding the grass blades.

1. Stop the engine and wait for all moving parts to stop.
2. Disconnect the wire from the spark plug.
3. Drain the gasoline from the fuel tank.
4. Tip the machine onto its **right** side (air cleaner up) as shown in [Figure 23](#).

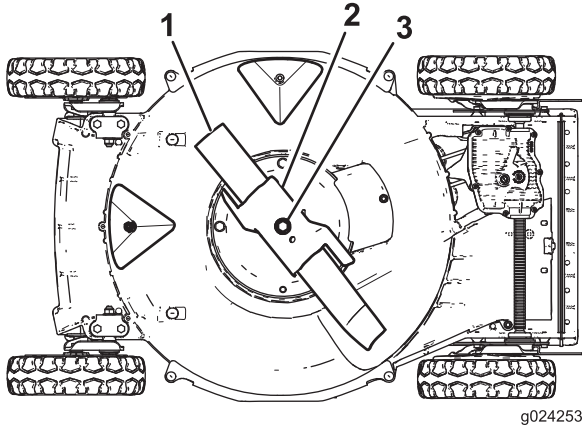


Figure 23

1. Blade
2. Accelerator
3. Blade bolt and lock washer

Inspecting the Blade

Service Interval: Before each use or daily—Inspect the mower blades for wear or damage.

Carefully examine the blade for sharpness and wear, especially where the flat and the curved parts meet ([Figure 24A](#)). Because sand and abrasive material can wear away the metal that connects the flat and curved parts of the blade, check the blade before using the machine. If you notice a slot or wear ([Figure 24B](#) and [Figure 24C](#)), replace the blade; refer to [Maintaining the Blade](#) (page 20).

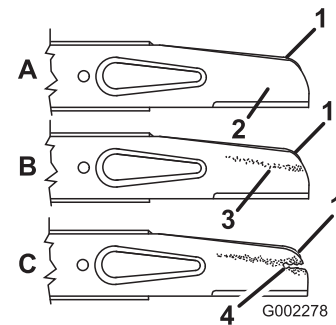


Figure 24

1. Sail
2. Flat part of the blade
3. Wear
4. Slot formed

Note: For the best performance, install a new blade before the mowing season begins. During the year, file down any small nicks to maintain the cutting edge.

⚠ DANGER

A worn or damaged blade can break, and a piece of the blade could be thrown in your direction or in the direction of bystanders, resulting in serious personal injury or death.

- Inspect the blade periodically for wear or damage.
- Replace a worn or damaged blade.

Inspecting the Accelerator

Service Interval: Before each use or daily—Inspect the accelerator for wear or damage.

Carefully examine the accelerator for excessive wear ([Figure 25](#)). Because sand and abrasive material can wear away the metal (especially in the area shown as item 2 in [Figure 25](#)), check the accelerator before using the machine. If you notice that a tab on the accelerator has been worn down to a sharp edge or there is a crack, replace the accelerator; refer to [Inspecting the Accelerator](#) (page 20).

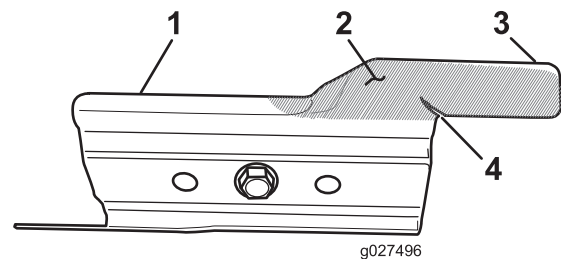


Figure 25

1. Accelerator
2. Wear area
3. Tab
4. Crack formed

⚠ WARNING

A worn or damaged accelerator can break, and a piece of the accelerator could be thrown at you or bystanders, resulting in serious personal injury or death.

- Inspect the accelerator periodically for wear or damage.
- Replace a worn or damaged accelerator.

Removing the Blade

1. Grasp the end of the blade using a rag or a thickly padded glove.
2. Remove the blade bolt, the lock washer, the accelerator, and the blade (Figure 24).

Sharpening the Blade

Service Interval: Every 50 hours—Sharpen or replace the blade. Maintain it more frequently if the edge dulls quickly in rough or in sandy conditions.

File the top side of the blade to maintain its original cutting angle (Figure 26A) and inner cutting edge radius (Figure 26B). The blade will remain balanced if you remove the same amount of material from both cutting edges.

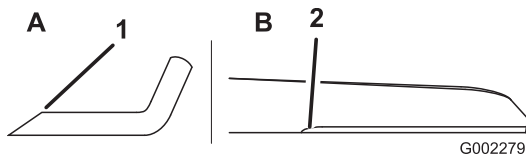


Figure 26

1. Sharpen the blade at this angle only.
2. Maintain the original radius here.

Balancing the Blade

1. Check the balance of the blade by placing the center hole of the blade over a nail or screwdriver shank clamped horizontally in a vise (Figure 27).

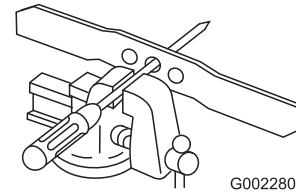


Figure 27

Note: You can also check the balance using a commercially manufactured blade balancer.

2. If either end of the blade rotates downward, file that end (not the cutting edge or the end near the cutting edge) until neither end of the blade drops.

Installing the Blade

1. Install a sharp, balanced Toro blade, the accelerator, the lock washer, and the blade bolt. The sail of the blade must point toward the top of the mower housing for proper installation.

Note: Torque the blade bolt to 68 N-m (50 ft-lb).

⚠ WARNING

Operating the machine without the accelerator in place can cause the blade to flex, bend, or break, resulting in serious injury or death to you or to bystanders.

Do not operate the machine without the accelerator in place.

2. Return the machine to the operating position.

Cleaning

Cleaning under the Machine

To ensure the best performance, keep the underside of the machine clean. Be especially careful to keep the kickers free of debris (Figure 28).

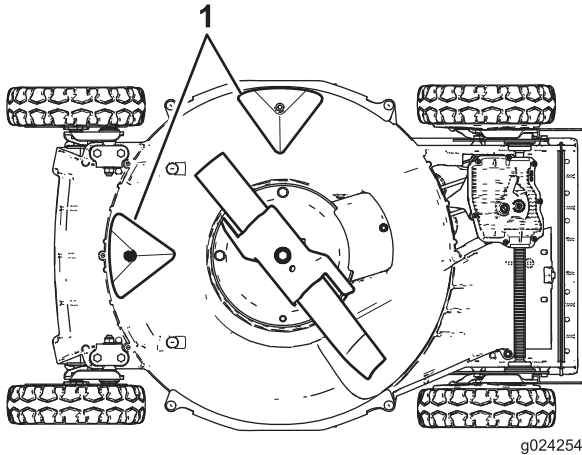


Figure 28

1. Kickers

Washing Method

Service Interval: Before each use or daily

⚠ WARNING

The machine may dislodge material from under the machine.

- Wear eye protection.
 - Stay in the operating position (behind the handle) while the engine is running.
 - Do not allow bystanders in the area.
1. Position the machine on a flat concrete or asphalt surface near a garden hose.
 2. Start the engine.
 3. Hold the running garden hose at handle level and direct the water to flow on the ground just in front of the right rear tire (Figure 29).

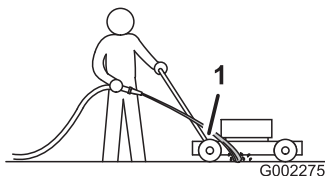


Figure 29

1. Right rear wheel

Note: The blade will draw in water and wash out the clippings. Let the water run until you no longer see clippings being washed out from under the machine.

4. Stop the engine and wait for all moving parts to stop.
5. Turn off the water.
6. Start the machine and let it run for a few minutes to dry out the underside of the machine and its components.

Scraping Method

If washing does not remove all debris from under the machine, scrape it clean.

1. Disconnect the wire from the spark plug.
2. Drain the gasoline from the fuel tank.

⚠ WARNING

Tipping the machine may cause the gasoline to leak from the carburetor or the fuel tank. Gasoline is extremely flammable, highly explosive, and, under certain conditions, can cause personal injury or property damage.

Avoid fuel spills by running the engine dry or by removing the gasoline with a hand pump; never siphon.

3. Tip the machine onto its **right** side (air cleaner up).
4. Remove the dirt and grass clippings with a hardwood scraper. Avoid burrs and sharp edges.
5. Return the machine to the operating position.
6. Connect the wire to the spark plug.

Cleaning the Wheels

Service Interval: Every 40 hours

1. Remove the rear wheels and clean any debris from the wheel-gear area.

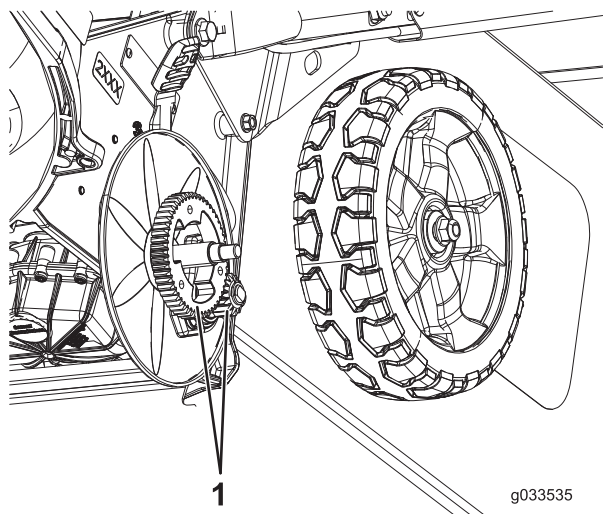


Figure 30

1. Gears

2. After cleaning, apply a small amount of anti-seize to the gears.

Note: If you are operating the machine in extreme conditions, cleaning the wheels more frequently than recommended will result in increased gear life.

Note: To prevent damage to the bearing seals, do not use a high pressure water spray on the bearings.

Storage

To prepare the machine for off-season storage, perform the recommended maintenance procedures; refer to [Maintenance \(page 17\)](#).

Store the machine in a cool, clean, dry place. Cover the machine to keep it clean and protected.

Preparing the Fuel System

▲ WARNING

Gasoline can vaporize if you store it over long periods of time and explode if it comes into contact with an open flame.

- Do not store gasoline over long periods of time.
- Do not store the machine with gasoline in the fuel tank or the carburetor in an enclosure with an open flame. (For example, a furnace or a water heater pilot light.)
- Allow the engine to cool before storing it in any enclosure.

Empty the gasoline from the fuel tank when mowing for the last time before storing the machine.

1. Run the engine until it stops from running out of gasoline.
2. Choke the engine and start it again.
3. Allow the engine to run until it stops. When you can no longer start the engine, it is sufficiently dry.

Preparing the Engine

1. While the engine is still warm, change the oil in the crankcase; refer to [Changing the Engine Oil \(page 18\)](#).
2. Remove the spark plug.
3. Using an oil can, add about 30 ml (1 oz) of engine oil to the engine crankcase through the spark-plug hole.
4. Slowly rotate the engine several times by pulling the recoil-start handle to distribute the oil throughout the engine crankcase.
5. Install the spark plug but **do not** connect the wire to the spark plug.

General Information

1. Clean under the machine; refer to [Cleaning under the Machine \(page 22\)](#).
2. Clean any dirt and chaff from the cylinder, cylinder head fins, and blower housing.
3. Remove grass clippings, dirt, and grime from the external parts of the engine, the shrouding, and the top of the mower housing.
4. Check the condition of the blade; refer to [Inspecting the Blade \(page 20\)](#).
5. Service the air cleaner; refer to [Servicing the Air Cleaner \(page 18\)](#).
6. Tighten all nuts, bolts, and screws.
7. Touch up all rusted or chipped paint surfaces with paint available from an Authorized Service Dealer.

Removing the Machine from Storage

1. Check and tighten all fasteners.
2. Remove the spark plug and spin the engine rapidly using the starter to blow out the excess oil from the cylinder.
3. Clean the spark plug or replace it if it is cracked, broken, or if the electrodes are worn.
4. Install the spark plug; refer to [Servicing the Spark Plug \(page 19\)](#).
5. Perform any needed maintenance procedures; refer to [Maintenance \(page 17\)](#).
6. Fill the fuel in the fuel tank with fresh gasoline.
7. Check the engine-oil level.
8. Connect the wire to the spark plug.

Troubleshooting

Problem	Possible Cause	Corrective Action
The engine does not start.	<ol style="list-style-type: none"> 1. The fuel tank is empty or the fuel system contains stale fuel. 2. The throttle lever is not in the Choke position. 3. The wire is not connected to the spark plug. 4. The spark plug is pitted, fouled, or the gap is incorrect. 	<ol style="list-style-type: none"> 1. Drain and/or fill the fuel tank with fresh gasoline. If the problem persists, contact an Authorized Service Dealer. 2. Move the throttle lever to the Choke position. 3. Connect the wire to the spark plug. 4. Check the spark plug and adjust the gap if necessary. Replace the spark plug if it is pitted, fouled, or cracked.
The engine starts hard or loses power.	<ol style="list-style-type: none"> 1. The fuel tank contains stale fuel. 2. The air filter element is dirty and is restricting the air flow. 3. The underside of the mower housing contains clippings and debris. 4. The spark plug is pitted, fouled, or the gap is incorrect. 5. The engine oil level is low or the oil is dirty. 	<ol style="list-style-type: none"> 1. Drain and fill the fuel tank with fresh gasoline. 2. Clean the air filter pre-cleaner and/or replace the paper air filter. 3. Clean under the mower housing. 4. Check the spark plug and adjust the gap if necessary. Replace the spark plug if it is pitted, fouled, or cracked. 5. Check the engine oil. Change the oil if it is dirty or add oil if it is low.
The engine runs rough.	<ol style="list-style-type: none"> 1. The wire is not connected to the spark plug. 2. The spark plug is pitted, fouled, or the gap is incorrect. 3. The throttle lever is not in the Fast position. 4. The air filter element is dirty and is restricting the air flow. 	<ol style="list-style-type: none"> 1. Connect the wire to the spark plug. 2. Check the spark plug and adjust the gap if necessary. Replace the spark plug if it is pitted, fouled, or cracked. 3. Move the throttle lever to the Fast position. 4. Clean the air filter pre-cleaner and/or replace the paper air filter.
The machine or engine vibrates excessively.	<ol style="list-style-type: none"> 1. The blade is bent or is out of balance. 2. The blade mounting nuts are loose. 3. The underside of the machine contains clippings and debris. 4. The engine mounting bolts are loose. 	<ol style="list-style-type: none"> 1. Balance the blade. If the blade is bent, replace it. 2. Tighten the blade mounting nuts. 3. Clean the underside of the machine. 4. Tighten the engine mounting bolts.
The is an uneven cutting pattern.	<ol style="list-style-type: none"> 1. All 4 wheels are not at the same height. 2. The blade is dull. 3. You are mowing in the same pattern repeatedly. 4. The underside of the machine contains clippings and debris. 	<ol style="list-style-type: none"> 1. Place all 4 wheels at the same height. 2. Sharpen and balance the blade. 3. Change the mowing pattern. 4. Clean the underside of the machine.
The discharge chute plugs up.	<ol style="list-style-type: none"> 1. The throttle lever is not in the Fast position. 2. The cutting height is too low. 3. You are mowing too fast. 4. The grass is wet. 5. The underside of the machine contains clippings and debris. 	<ol style="list-style-type: none"> 1. Move the throttle lever to the Fast position. 2. Raise the cutting height. 3. Slow down. 4. Allow the grass to dry before mowing. 5. Clean the underside of the machine.
The machine does not self-propel.	<ol style="list-style-type: none"> 1. The self-propel drive cable is out of adjustment or is damaged. 2. There is debris under the belt cover. 	<ol style="list-style-type: none"> 1. Adjust the self-propel drive cable. Replace the cable if necessary. 2. Clean the debris from under the belt cover.

Notes:

International Distributor List

Distributor:	Country:	Phone Number:	Distributor:	Country:	Phone Number:
Agrolanc Kft	Hungary	36 27 539 640	Maquiver S.A.	Colombia	57 1 236 4079
Balama Prima Engineering Equip.	Hong Kong	852 2155 2163	Maruyama Mfg. Co. Inc.	Japan	81 3 3252 2285
B-Ray Corporation	Korea	82 32 551 2076	Mountfield a.s.	Czech Republic	420 255 704 220
Casco Sales Company	Puerto Rico	787 788 8383	Mountfield a.s.	Slovakia	420 255 704 220
Ceres S.A.	Costa Rica	506 239 1138	Munditol S.A.	Argentina	54 11 4 821 9999
CSSC Turf Equipment (pvt) Ltd.	Sri Lanka	94 11 2746100	Norma Garden	Russia	7 495 411 61 20
Cyril Johnston & Co.	Northern Ireland	44 2890 813 121	Oslinger Turf Equipment SA	Ecuador	593 4 239 6970
Cyril Johnston & Co.	Republic of Ireland	44 2890 813 121	Oy Hako Ground and Garden Ab	Finland	358 987 00733
Equiver	Mexico	52 55 539 95444	Parkland Products Ltd.	New Zealand	64 3 34 93760
Femco S.A.	Guatemala	502 442 3277	Perfetto	Poland	48 61 8 208 416
ForGarder OU	Estonia	372 384 6060	Pratoverde SRL.	Italy	39 049 9128 128
G.Y.K. Company Ltd.	Japan	81 726 325 861	Prochaska & Cie	Austria	43 1 278 5100
Geomechaniki of Athens	Greece	30 10 935 0054	RT Cohen 2004 Ltd.	Israel	972 986 17979
Golf international Turizm	Turkey	90 216 336 5993	Riversa	Spain	34 9 52 83 7500
Guandong Golden Star	China	86 20 876 51338	Lely Turfcare	Denmark	45 66 109 200
Hako Ground and Garden	Sweden	46 35 10 0000	Solvart S.A.S.	France	33 1 30 81 77 00
Hako Ground and Garden	Norway	47 22 90 7760	Spypros Stavrinides Limited	Cyprus	357 22 434131
Hayter Limited (U.K.)	United Kingdom	44 1279 723 444	Surge Systems India Limited	India	91 1 292299901
Hydroturf Int. Co Dubai	United Arab Emirates	97 14 347 9479	T-Markt Logistics Ltd.	Hungary	36 26 525 500
Hydroturf Egypt LLC	Egypt	202 519 4308	Toro Australia	Australia	61 3 9580 7355
Irrimac	Portugal	351 21 238 8260	Toro Europe NV	Belgium	32 14 562 960
Irrigation Products Int'l Pvt Ltd.	India	0091 44 2449 4387	Valtech	Morocco	212 5 3766 3636
Jean Heybroek b.v.	Netherlands	31 30 639 4611	Victus Emak	Poland	48 61 823 8369

European Privacy Notice

The Information Toro Collects

Toro Warranty Company (Toro) respects your privacy. In order to process your warranty claim and contact you in the event of a product recall, we ask you to share certain personal information with us, either directly or through your local Toro company or dealer.

The Toro warranty system is hosted on servers located within the United States where privacy law may not provide the same protection as applies in your country.

BY SHARING YOUR PERSONAL INFORMATION WITH US, YOU ARE CONSENTING TO THE PROCESSING OF YOUR PERSONAL INFORMATION AS DESCRIBED IN THIS PRIVACY NOTICE.

The Way Toro Uses Information

Toro may use your personal information to process warranty claims, to contact you in the event of a product recall and for any other purpose which we tell you about. Toro may share your information with Toro's affiliates, dealers or other business partners in connection with any of these activities. We will not sell your personal information to any other company. We reserve the right to disclose personal information in order to comply with applicable laws and with requests by the appropriate authorities, to operate our systems properly or for our own protection or that of other users.

Retention of your Personal Information

We will keep your personal information as long as we need it for the purposes for which it was originally collected or for other legitimate purposes (such as regulatory compliance), or as required by applicable law.

Toro's Commitment to Security of Your Personal Information

We take reasonable precautions in order to protect the security of your personal information. We also take steps to maintain the accuracy and current status of personal information.

Access and Correction of your Personal Information

If you would like to review or correct your personal information, please contact us by email at legal@toro.com.

Australian Consumer Law

Australian customers will find details relating to the Australian Consumer Law either inside the box or at your local Toro Dealer.



The Toro Total Warranty

Landscape
Contractor
Equipment (LCE)

Conditions and Products Covered

The Toro Company and its affiliate, Toro Warranty Company, pursuant to an agreement between them, jointly promise to the original purchaser to repair the Toro Products listed below if defective in materials or workmanship.

The following time periods apply from the date of purchase by the original owner:

Products	Warranty Period
Walk Behind Mowers	
53 cm Mowers – Residential use ¹	2 years
53 cm Mowers – Commercial use	1 year
76 cm Mowers – Residential use ¹	2 years
76 cm Mowers – Commercial use	1 year
Mid-Size Walk-Behind Mowers	2 years
• Engine	2 years ²
Grand Stand® Mowers	5 years or 1,200 hours ³
• Engine	2 years
• Frame	Lifetime (original owner only) ⁴
Z Master® 2000 Series Mowers	4 years or 500 hours ³
• Engine	2 years ²
• Frame	Lifetime (original owner only) ⁴
Z Master® 3000 Series Mowers	5 years or 1,200 hours ³
• Engine	2 years ²
• Frame	Lifetime (original owner only) ⁴
Z Master® 5000 and 6000 Series Mowers	5 years or 1,200 hours ³
• Engine	2 years ²
• Frame	Lifetime (original owner only) ⁴
Z Master® 7000 Series Mowers	5 years or 1,200 hours ³
• Engine	2 years ²
• Frame	Lifetime (original owner only) ⁴
All Mowers	
• Battery	2 years
• Attachments	2 years

¹Residential use means use of the product on the same lot as your home. Use at more than one location is considered commercial use and the commercial warranty would apply.

²Some engines used on Toro LCE Products are warranted by the engine manufacturer.

³Whichever occurs first.

⁴Lifetime Frame Warranty - If the main frame, consisting of the parts welded together to form the tractor structure that other components such as the engine are secured to, cracks or breaks in normal use, it will be repaired or replaced under warranty at no cost for parts and labor. Frame failure due to misuse or abuse and failure or repair required due to rust or corrosion are not covered.

This warranty includes the cost of parts and labor, but you must pay transportation costs.

Instructions for Obtaining Warranty Service

If you think that your Toro Product contains a defect in materials or workmanship, follow this procedure:

1. Contact your seller to arrange service of the product. If for any reason it is impossible for you to contact your seller, you may contact any Toro Authorized Distributor to arrange service.
2. Bring the product and your proof of purchase (sales receipt) to the Service Dealer.
3. If for any reason you are dissatisfied with the Service Dealer's analysis or with the assistance provided, contact us at:

RLC Customer Care Department

Toro Warranty Company
8111 Lyndale Avenue South
Bloomington, MN 55420-1196
001-952-948-4707

See attached Distributor List.

Owner Responsibilities

You must maintain your Toro Product by following the maintenance procedures described in the *Operator's Manual*. Such routine maintenance, whether performed by a dealer or by you, is at your expense.

Items and Conditions Not Covered

There is no other express warranty except for special emission system coverage and engine warranty coverage on some products. This express warranty does not cover the following:

- Cost of regular maintenance service or parts, such as filters, fuel, lubricants, oil changes, spark plugs, air filters blade sharpening or worn blades, cable/linkage adjustments, or brake and clutch adjustments
- Components failing due to normal wear
- Any product or part which has been altered or misused or neglected and requires replacement or repair due to accidents or lack of proper maintenance
- Pickup and delivery charges
- Repairs or attempted repairs by anyone other than an Authorized Toro Service Dealer
- Repairs necessary due to failure to follow recommended fuel procedure (consult *Operator's Manual* for more details)
 - Removing contaminants from the fuel system is not covered
 - Use of old fuel (more than one month old) or fuel which contains more than 10% ethanol or more than 15% MTBE
 - Failure to drain the fuel system prior to any period of non-use over one month

General Conditions

The purchaser is covered by the national laws of each country. The rights to which the purchaser is entitled with the support of these laws are not restricted by this warranty.

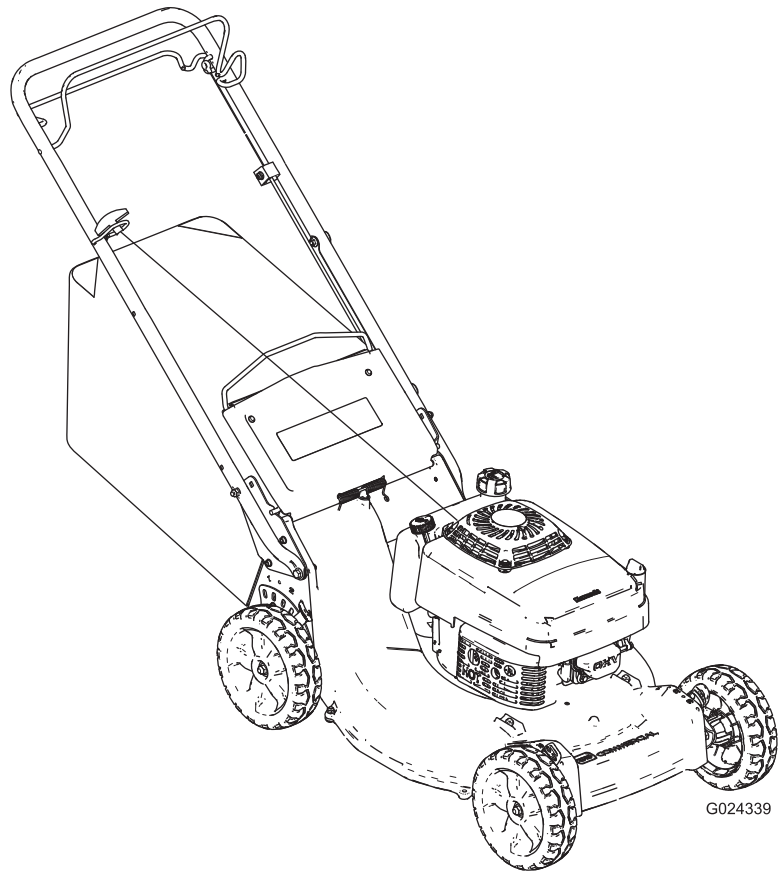


Count on it.

Bedienungsanleitung

Professioneller Rasenmäher mit Recycler[®] bzw. Heckfänger (53 cm)

Modellnr. 22291—Seriennr. 31600001 und höher



Dieses Produkt entspricht allen relevanten europäischen Richtlinien. Weitere Angaben finden Sie in der produktspezifischen Konformitätsbescheinigung.

Einführung

Dieser handgeführte Rasenmäher mit Sichelmessern sollte von Privatleuten oder geschulten Lohnarbeitern verwendet werden. Er ist hauptsächlich für das Mähen von Gras auf gepflegten Grünflächen in Privat- oder öffentlichen Anlagen gedacht. Er ist nicht für das Schneiden von Büschen oder für einen landwirtschaftlichen Einsatz gedacht.

Lesen Sie diese Informationen sorgfältig durch, um sich mit dem ordnungsgemäßen Einsatz und der Wartung des Geräts vertraut zu machen und Verletzungen und eine Beschädigung des Geräts zu vermeiden. Sie tragen die Verantwortung für einen ordnungsgemäßen und sicheren Einsatz des Geräts.

Wenden Sie sich hinsichtlich Informationen zu Produkten und Zubehör sowie Angaben zu Ihrem örtlichen Vertragshändler oder zur Registrierung des Produktes direkt an Toro unter www.Toro.com.

Wenden Sie sich an den offiziellen Toro Vertragshändler oder Kundendienst, wenn Sie eine Serviceleistung, Toro Originalersatzteile oder weitere Informationen benötigen. Haben Sie dafür die Modell- und Seriennummern der Maschine griffbereit. In Bild 1 wird der Standort der Modell- und Seriennummern auf dem Produkt angegeben. Tragen Sie hier bitte die Modell- und Seriennummern des Geräts ein.

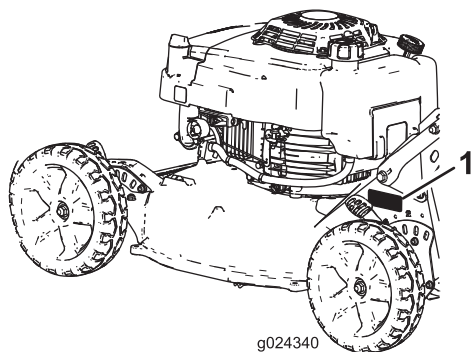


Bild 1

1. Typenschild mit Modell- und Seriennummern

Modellnr. _____
Seriennr. _____

In dieser Anleitung werden potenzielle Gefahren angeführt, und Sicherheitsmeldungen werden vom Sicherheitswarnsymbol (Bild 2) gekennzeichnet, das auf

eine Gefahr hinweist, die zu schweren oder tödlichen Verletzungen führen kann, wenn Sie die empfohlenen Sicherheitsvorkehrungen nicht einhalten.



Bild 2

1. Warnsymbol

In dieser Anleitung werden zwei Begriffe zur Hervorhebung von Informationen verwendet. **Wichtig** weist auf spezielle mechanische Informationen hin, und **Hinweis** hebt allgemeine Informationen hervor, die Ihre besondere Beachtung verdienen.

Nettodrehzahl

Die Brutto- oder Nettodrehzahl dieses Motors wurden vom Motorhersteller im Labor gemäß SAE J1940 ermittelt. Aufgrund der Konfiguration zur Erfüllung von Sicherheits-, Emissions- und Betriebsanforderungen ist die tatsächliche Motorleistung in dieser Klasse der Rasenmäher wesentlich niedriger.

Inhalt

Sicherheit	3
Allgemeine Hinweise zur Sicherheit von Rasenmähern	3
Schalldruck	5
Schalleistung	5
Hand-/Arm vibration	5
Sicherheits- und Bedienungsschilder	6
Einrichtung	8
1 Montieren des Bügels	8
2 Anbringen des Rücklaufstarterseils	10
3 Auffüllen des Kurbelgehäuses mit Öl	10
4 Einstellen des Selbstantriebs	11
5 Montieren des Fangkorbs	11
Produktübersicht	12
Technische Daten	12
Betrieb	13
Prüfen des Motorölstands	13
Betanken mit Benzin	13
Einstellen der Schnitthöhe	14
Anlassen des Motors	14
Abstellen des Motors	14
Verwenden des Selbstantriebs	15
Schnittgutrecyclen	15
Sammeln des Schnittguts	15
Betriebshinweise	16
Wartung	18
Empfohlener Wartungsplan	18
Warten des Motors	19
Warten des Luftfilters	19
Wechseln des Motoröls	19
Warten der Zündkerze	20
Warten des Antriebssystems	20
Einstellen des Selbstantriebs	20
Warten der Schnittmesser	21
Warten des Schnittmessers	21
Reinigung	23
Reinigen unter dem Gerät	23
Reinigen der Räder	24
Einlagerung	25
Vorbereiten der Kraftstoffanlage	25
Vorbereiten des Motors	25
Allgemeine Angaben	25
Herausnehmen des Rasenmähers aus der Einlagerung	25
Fehlersuche und -behebung	26

Sicherheit

Diese Maschine erfüllt EN ISO 5395:2013.

Der unsachgemäße Einsatz oder die falsche Wartung dieser Maschine kann zu Verletzungen führen. Befolgen Sie zur Reduzierung der Verletzungsgefahr diese Sicherheitsanweisungen.

Um die maximale Sicherheit, optimale Leistung und das nötige Wissen über die Maschine zu erhalten, müssen Sie und jeder andere Bediener der Maschine den Inhalt der vorliegenden Anleitung vor dem Anlassen des Motors sorgfältig lesen und verstehen. Achten Sie besonders auf das Sicherheitswarnsymbol Bild 2, das Vorsicht, Warnung oder Gefahr bedeutet. Lesen und verstehen Sie die Anweisungen, da sie wichtig für die Sicherheit sind. Das Nichtbeachten der Anweisungen kann zu Körperverletzungen führen.

Allgemeine Hinweise zur Sicherheit von Rasenmähern

Diese Maschine kann Hände und Füße amputieren und Gegenstände aufschleudern. Das Nichtbeachten der folgenden Sicherheitsvorschriften kann zu schweren Verletzungen oder zum Tod führen.

Schulung

- Lesen Sie diese Anweisungen gründlich durch. Machen Sie sich mit den Bedienelementen und dem korrekten Einsatz des Geräts vertraut.
- Lassen Sie den Rasenmäher nie von Kindern oder Personen bedienen, die mit diesen Anweisungen nicht vertraut sind. Das Alter des Fahrers kann durch lokale Vorschriften eingeschränkt sein.
- Bedenken Sie immer, dass der Bediener die Verantwortung für Unfälle oder Gefahren gegenüber anderen und ihrem Eigentum trägt.
- Verstehen Sie alle Erläuterungen der am Rasenmäher und in der Anleitung verwendeten Symbole.

Benzin

WARNUNG: Kraftstoff ist leicht entzündlich. Befolgen Sie die nachstehenden Sicherheitsvorkehrungen:

- Bewahren Sie Kraftstoff nur in zugelassenen Vorratskanistern auf.
- Betanken Sie nur im Freien, und rauchen Sie dabei nie.
- Betanken Sie die Maschine, bevor Sie den Motor anlassen. Entfernen Sie bei laufendem oder heißem Motor nie den Kraftstofftankdeckel oder betanken die Maschine.
- Versuchen Sie, wenn Benzin verschüttet wurde nie, den Motor zu starten, sondern schieben den Rasenmäher

vom verschütteten Kraftstoff weg und vermeiden offene Flammen, bis die Verschüttung verdunstet ist.

- Schrauben Sie den Tank- und Benzinkanisterdeckel wieder fest auf.

Vorbereitung

- Tragen Sie beim Mähen immer rutschfeste Arbeitsschuhe und lange Hosen. Fahren Sie die Maschine nie barfußig oder mit Sandalen.
- Inspizieren Sie den Arbeitsbereich gründlich und entfernen Steine, Stöcke, Drähte, Knochen und andere Fremdkörper.
- Prüfen Sie vor der Inbetriebnahme visuell, ob alle Schutzvorrichtungen und Sicherheitsgeräte, wie z. B. Ablenkleche und/oder Grasfangkörbe einwandfrei montiert sind und richtig funktionieren.
- Überprüfen Sie vor dem Einsatz immer, ob die Schnittmesser, -schrauben und das Mähwerk abgenutzt oder beschädigt sind. Tauschen Sie abgenutzte oder defekte Messer und -schrauben als komplette Sätze aus, um die Wucht der Messer beizubehalten.

Anlassen

- Kippen Sie die Maschine nicht, wenn Sie den Motor anlassen, es sei denn, Sie müssen sie zum Anlassen kippen. Kippen Sie ihn in solchen Fällen nie weiter als absolut erforderlich und nur den Teil, der vom Benutzer weg steht.
- Starten Sie den Motor vorsichtig und entsprechend den Anweisungen, wobei Sie die Füße so weit wie möglich von den Messern fernhalten, d. h. stellen Sie sich nie vor den Auswurfkanal.

Betrieb

- Mähen Sie nie, wenn sich Personen, insbesondere Kinder oder Haustiere, in der Nähe aufhalten.
- Mähen Sie nur bei Tageslicht oder guter künstlicher Beleuchtung.
- Achten Sie auf Kuhlen und andere versteckte Gefahrenstellen im Gelände.
- Berühren Sie keine beweglichen Teile mit den Händen oder Füßen. Bleiben Sie immer von der Auswurföffnung fern.
- Heben oder tragen Sie den Rasenmäher nie bei laufendem Motor.
- Passen Sie beim Rückwärtsfahren auf, oder wenn Sie einen handgeführten Rasenmäher zu sich ziehen.
- Gehen Sie immer; laufen Sie nie.
- Hanglagen:
 - Versuchen Sie nicht, steile Hänge zu mähen.
 - Passen Sie an Hängen besonders auf.

- Mähen Sie quer zu Hanglagen, d. h. nie hangauf- oder -abwärts, und gehen Sie Richtungswechsel an Hanglagen mit größter Vorsicht vor.
- Achten Sie an Hanglagen immer darauf, dass Sie einen guten Halt haben.

- Reduzieren Sie an Hängen und bevor Sie scharf wenden Ihre Geschwindigkeit, um einem Umkippen und einem Kontrollverlust vorzubeugen.
- Stellen Sie das Messer ab, wenn Sie die Maschine kippen müssen, um Bereiche ohne Gras zu überqueren oder die Maschine von einem Mähbereich zu einem anderen zu transportieren.
- Lassen Sie den Motor nie in unbelüfteten Räumen laufen, da sich dort gefährliche Kohlenmonoxidgase und Abgase ansammeln können.
- Stellen Sie den Motor in den folgenden Situationen ab:
 - Wenn Sie die Maschine verlassen.
 - Vor dem Auftanken.
 - Vor dem Entfernen des Fangkorbs.
 - Vor dem Verstellen der Schnitthöhe. Es sei denn, die Einstellung lässt sich von der Bedienerposition aus bewerkstelligen.
- Stellen Sie den Motor ab und ziehen Sie den Zündkerzenstecker ab:
 - Vor dem Entfernen von Behinderungen und Verstopfungen aus dem Auswurfkanal.
 - Bevor Sie die Maschine untersuchen, reinigen oder warten.
 - Wenn Sie auf einen Festkörper aufgeprallt sind und prüfen den Rasenmäher auf eventuelle Defekte; führen Sie dann die erforderlichen Reparaturen durch, bevor Sie den Rasenmäher starten und in Betrieb nehmen.
 - Bei ungewöhnlichen Vibrationen der Maschine (sofort überprüfen).
- Blitzschlag kann zu schweren oder tödlichen Verletzungen führen. Setzen Sie die Maschine nicht ein, wenn Sie Blitze sehen oder Donner hören, und gehen Sie an eine geschützte Stelle.
- Achten Sie beim Überqueren und in der Nähe von Straßen auf den Verkehr.

Wartung und Lagerung

- Halten Sie alle Muttern und Schrauben fest angezogen, damit das Gerät in einem sicheren Betriebszustand bleibt.
- Verwenden Sie keinen Hochdruckreiniger an der Maschine.
- Bewahren Sie den Rasenmäher nie mit Benzin im Tank oder innerhalb eines Gebäudes auf, wo Dämpfe eine offene Flamme oder Funken erreichen könnten.

- Lassen Sie den Motor abkühlen, bevor Sie die Maschine in einem geschlossenen Raum abstellen.
- Halten Sie, um das Brandrisiko zu verringern, den Motor, Schalldämpfer, das Batteriefach und den Benzintank von Gras, Laub und überflüssigem Fett frei.
- Prüfen Sie die Bestandteile des Fangkorbs und des Auswurfschutzbleches häufig, und wechseln Sie sie ggf. mit den vom Hersteller empfohlenen Teilen aus.
- Tauschen Sie abgenutzte und beschädigte Teile aus Sicherheitsgründen aus.
- Wechseln Sie defekte Auspuffe aus.
- Wenn Sie den Kraftstoff aus dem Tank ablassen müssen, sollte dies im Freien geschehen.
- Verändern Sie nie die Einstellung des Motorfliehkraftreglers, und überdrehen Sie niemals den Motor. Durch das Überdrehen des Motors steigt die Verletzungsgefahr.
- Passen Sie beim Einstellen der Maschine auf, um ein Einklemmen der Finger zwischen den beweglichen Messern und starren Teilen der Maschine zu vermeiden.
- **Für eine optimale Leistung und Sicherheit sollten Sie nur Toro Originalersatzteile und -zubehör kaufen. Verwenden Sie nie *Universal*-Teile und -Zubehör; diese sind u. U. gefährlich.**

Befördern

- Lassen Sie beim Beladen oder Entladen der Maschine in oder aus einem Anhänger oder Lastwagen Vorsicht walten.
- Verwenden Sie für das Verladen der Maschine auf einen Anhänger oder Pritschenwagen Rampen, die über die ganze Breite gehen.
- Befestigen Sie die Maschine sicher mit Riemen, Ketten, Kabeln oder Seilen. Die vorne und hinten befestigten Riemen sollten nach unten und von der Maschine weg gerichtet sein.

Schalldruck

Dieses Gerät erzeugt einen Schalldruckpegel, der am Ohr des Benutzers 88 dBA beträgt (inkl. eines Unsicherheitswerts (K) von 1 dBA).

Der Schalldruckpegel wurde gemäß den Vorgaben in EN ISO 5395:2013 gemessen.

Schalleistung

Dieses Gerät erzeugt einen Schalldruckpegel von 98 dBA (inkl. eines Unsicherheitswerts (K) von 1 dBA).

Der Schalldruckpegel wurde gemäß den Vorgaben in ISO 11094 gemessen.

⚠ ACHTUNG

Der längere Einsatz einer lauten Maschine kann Gehörschäden verursachen.

Tragen Sie entsprechenden Gehörschutz, wenn Sie die Maschine längere Zeit verwenden.

Hand-/Armvibration

Das gemessene Vibrationsniveau für die linke Hand beträgt 2,3 m/s²

Das gemessene Vibrationsniveau für die rechte Hand beträgt 2,7 m/s²

Der Unsicherheitswert (K) beträgt 1,4 m/s²

Die Werte wurden nach den Vorgaben von EN ISO 5395:2013 gemessen.

⚠ ACHTUNG

Der längere Einsatz einer stark vibrierenden Maschine kann zu Taubheit in den Händen und Handgelenken führen.

Tragen Sie Handschuhe, die Vibrationen abschwächen, wenn Sie die Maschine längere Zeit verwenden.

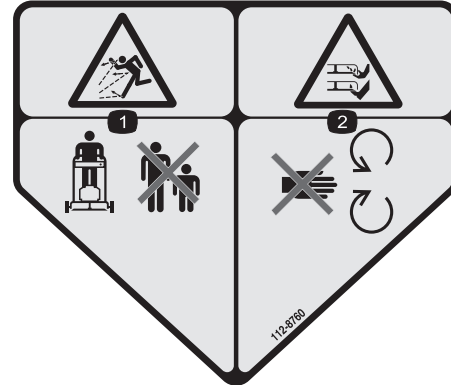
Sicherheits- und Bedienungsschilder

Wichtig: Sicherheits- und Bedienungsaufkleber sind in der Nähe potenzieller Gefahrenbereiche angebracht. Tauschen Sie beschädigte Aufkleber aus.



Herstellermarke

1. Gibt an, dass das Messer Teil der Originalmaschine des Herstellers ist.



112-8760

1. Gefahr durch herausgeschleuderte Objekte: Achten Sie darauf, dass Unbeteiligte den Sicherheitsabstand zum Gerät einhalten.
2. Gefahr einer Schnittwunde und/oder der Amputation von Händen oder Füßen: Berühren Sie keine beweglichen Teilen.



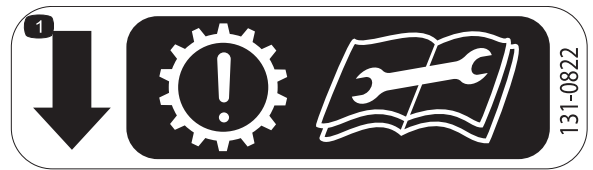
116-7583

1. Warnung: Lesen Sie die *Bedienungsanleitung*. Setzen Sie das Gerät nur nach entsprechender Schulung ein.
2. Gefahr durch herausgeschleuderte Objekte: Achten Sie darauf, dass Unbeteiligte den Sicherheitsabstand zum Gerät einhalten.
3. Gefahr durch herausgeschleuderte Gegenstände: Setzen Sie den Rasenmäher nicht ohne Heckauswurfklappe oder Fangkorb ein.
4. Schnitt- bzw. Amputationsgefahr an Händen oder Füßen durch das Mähwerkmesser: Berühren Sie keine beweglichen Teile und lassen Sie alle Schutzvorrichtungen montiert.
5. Warnung: Tragen Sie einen Gehörschutz.
6. Schnitt- bzw. Amputationsgefahr von Händen oder Füßen durch Mähwerkmesser: Mähen Sie nie hangaufwärts oder -abwärts, mähen Sie immer waagrecht zum Hang. Stellen Sie den Motor ab, bevor Sie die Bedienungsposition verlassen. Schauen Sie nach hinten, wenn Sie rückwärtsfahren.



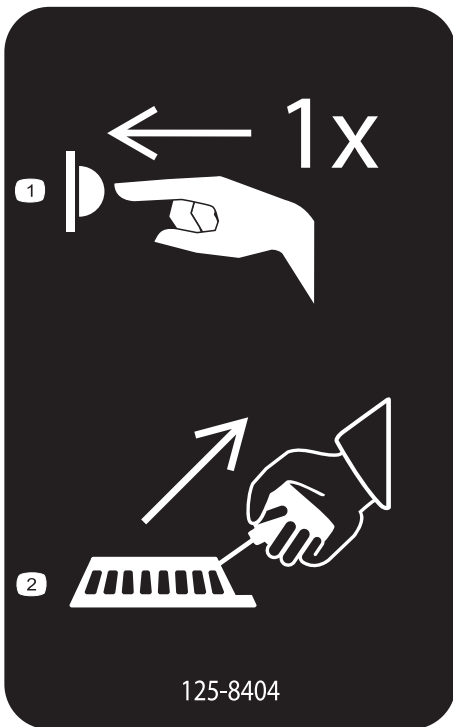
125-8403

1. Drücken Sie die Kaltstarthilfe ein Mal.
2. Ziehen Sie am Rücklaufstartergriff.



131-0822

1. Selbstantrieb: Das Getriebe kann sich vorzeitig abnutzen, wenn der Riemen zu stark gespannt ist; Lesen Sie die *Bedienungsanleitung*, bevor Sie Kundendienst- oder Wartungsarbeiten ausführen.



125-8404

1. Drücken Sie die Kaltstarthilfe ein Mal.
2. Ziehen Sie am Rücklaufstartergriff.

Einrichtung

Einzelteile

Prüfen Sie anhand der nachstehenden Tabelle, dass Sie alle im Lieferumfang enthaltenen Teile erhalten haben.

Verfahren	Beschreibung	Menge	Verwendung
1	Bügel	1	Montieren des Bügels.
	Sechskantbundschaube (5/16" x 1-1/2")	2	
	Schlossschraube (5/16" x 1-1/2")	2	
	Bundmutter (5/16")	4	
2	Keine Teile werden benötigt	–	Anbringen des Rücklaufstarterseils.
3	Keine Teile werden benötigt	–	Auffüllen des Kurbelgehäuses mit Öl.
4	Keine Teile werden benötigt	–	Einstellen des Selbstantriebs.
5	Keine Teile werden benötigt	–	Montieren des Fangkorbs.

Hinweis: Bestimmen Sie die linke und rechte Seite der Maschine anhand der üblichen Einsatzposition.

1

Montieren des Bügels

Für diesen Arbeitsschritt erforderliche Teile:

1	Bügel
2	Sechskantbundschaube (5/16" x 1-1/2")
2	Schlossschraube (5/16" x 1-1/2")
4	Bundmutter (5/16")

Verfahren

- Entfernen Sie die zwei Schlossschrauben und zwei Sicherungsmuttern, mit denen der Kabelschutz am Bügel befestigt ist, um den Kabelschutz abzunehmen (Bild 3).

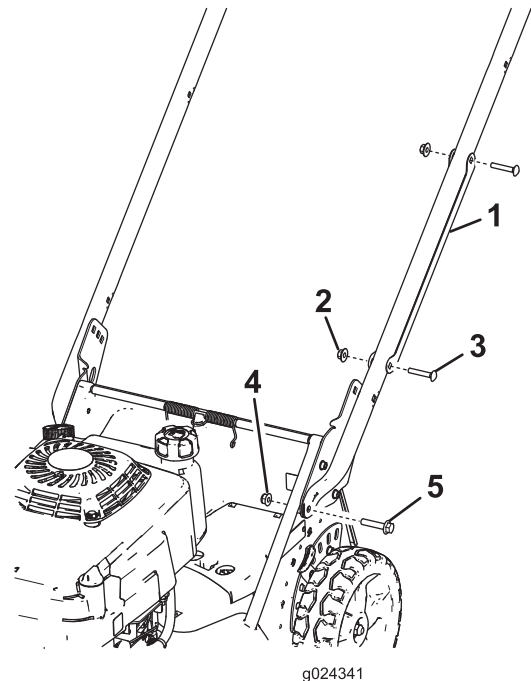


Bild 3

- Kabelschutzvorrichtung
- Sicherungsmutter (2)
- Schlossschraube (1/4" x 1-1/2") (2)
- Bundmutter (5/16") (2)
- Bundkopfschraube (5/16" x 1-1/2") (2)

Hinweis: Heben Sie den Kabelschutz, die Schlossschrauben und die Sicherungsmuttern auf, damit Sie sie später am Bügel befestigen können.

- Befestigen Sie die Bügelenden mit zwei Sechskantbundschauben (5/16" x 1-1/2") und

zwei Bundmuttern (5/16") am Mähergehäuse, wie in **Bild 3** abgebildet.

3. Stellen Sie die Maschine auf die gewünschte Schnitthöhe ein, siehe **Einstellen der Schnitthöhe (Seite 14)**.
4. Verlegen Sie die Steuerkabel zwischen dem Mähwerk und dem Bügel, damit sie nicht beschädigt werden (**Bild 4**).

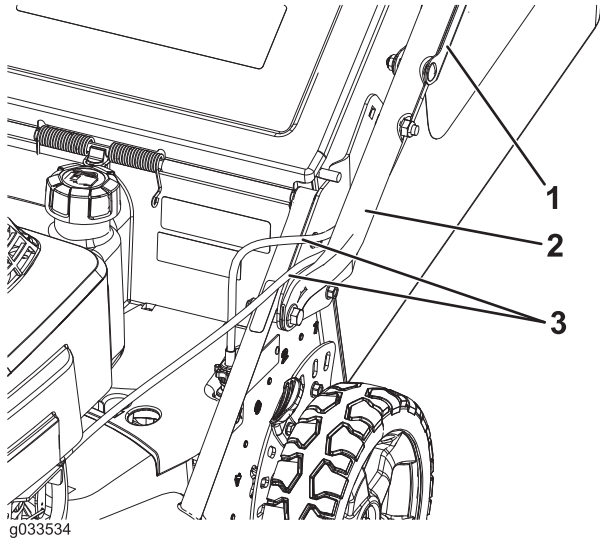


Bild 4

- | | |
|---------------------------|----------|
| 1. Kabelschutzvorrichtung | 3. Kabel |
| 2. Bügel | |

6. Befestigen Sie den Bügel mit zwei Schlossschrauben (5/16" x 1-1/2") und zwei Bundmuttern (5/16") an der gewünschten Bügelhöhe an den Bügelhalterungen, wie in **Bild 6** abgebildet.

Wichtig: Stellen Sie sicher, dass die **Schraubenköpfe innen am Bügel** und die **Muttern außen am Bügel** sind.

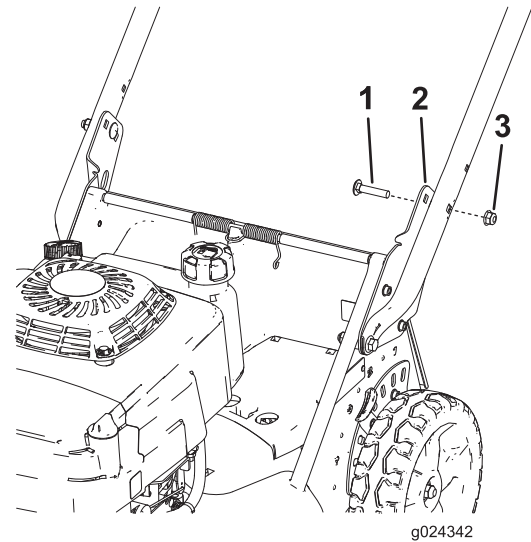


Bild 6

- | | |
|---|---------------------------|
| 1. Schlossschraube (5/16" x 1-1/2") (2) | 3. Bundmutter (5/16") (2) |
| 2. Bügelhalterung (2) | |

5. Stellen Sie sich hinter die Maschine in die Bedienposition, um die für Sie komfortabelste Bügelhöhe zu ermitteln (**Bild 5**).

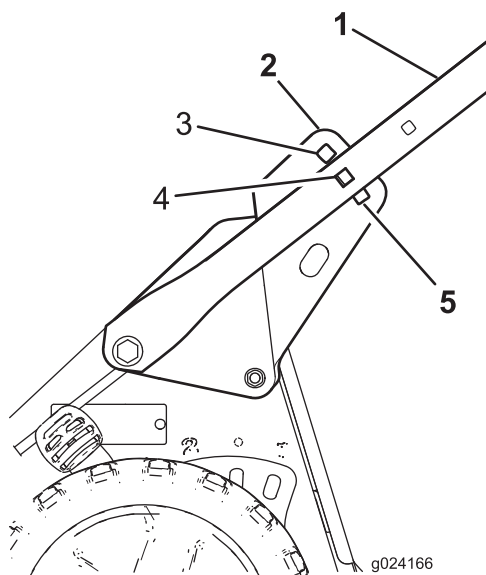


Bild 5

- | | |
|-----------------------|-------------------------|
| 1. Bügel | 4. Mittlere Bügelhöhe |
| 2. Bügelhalterung (2) | 5. Niedrigste Bügelhöhe |
| 3. Höchste Bügelhöhe | |

7. Legen Sie die Kabelschutzvorrichtung so auf den Bügel, dass die **Kabel in der Schutzvorrichtung** verlaufen, und befestigen Sie die Schutzvorrichtung mit den vorher entfernten zwei Schlossschrauben und zwei Sicherungsmuttern am Bügel (**Bild 3**).

Wichtig: Achten Sie darauf, dass die **Kabel nicht am Bügel eingeklemmt** werden, wenn Sie die Kabelschutzvorrichtungen am Bügel befestigen.

5. Stecken Sie den Peilstab in den Füllstutzen und ziehen ihn dann heraus.
6. Lesen Sie den Ölstand am Peilstab ab.
 - Wenn der Ölstand unter der Nachfüll-Markierung liegt, gießen Sie langsam etwas Öl in den Öleinfüllstutzen, warten Sie drei Minuten und wiederholen die Schritte 4 bis 6, um den Ölstand auf die Voll-Markierung am Peilstab anzuheben.
 - Wenn der Ölstand über der Voll-Markierung am Peilstab liegt, lassen Sie überschüssiges Öl ab, bis der Ölstand am Peilstab an der Voll-Markierung liegt. Siehe [Wechseln des Motoröls \(Seite 19\)](#).

Wichtig: Wenn der Ölstand im Kurbelgehäuse zu hoch oder zu niedrig ist, und Sie den Motor laufen lassen, können Motorschäden auftreten.

7. Stecken Sie den Peilstab in den Einfüllstutzen und drehen Sie dann den Deckel nach rechts, bis er fest ist.

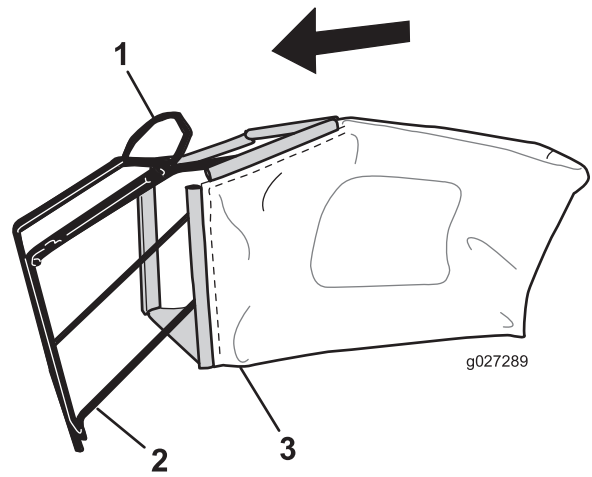


Bild 9

- | | |
|-----------|-------------|
| 1. Bügel | 3. Fangkorb |
| 2. Rahmen | |

Hinweis: Schieben Sie den Grasfangkorb nicht über den Bügel ([Bild 9](#)).

2. Haken Sie den unteren Kanal des Grasfangkorbs an der Unterseite des Rahmens ein ([Bild 10](#)).

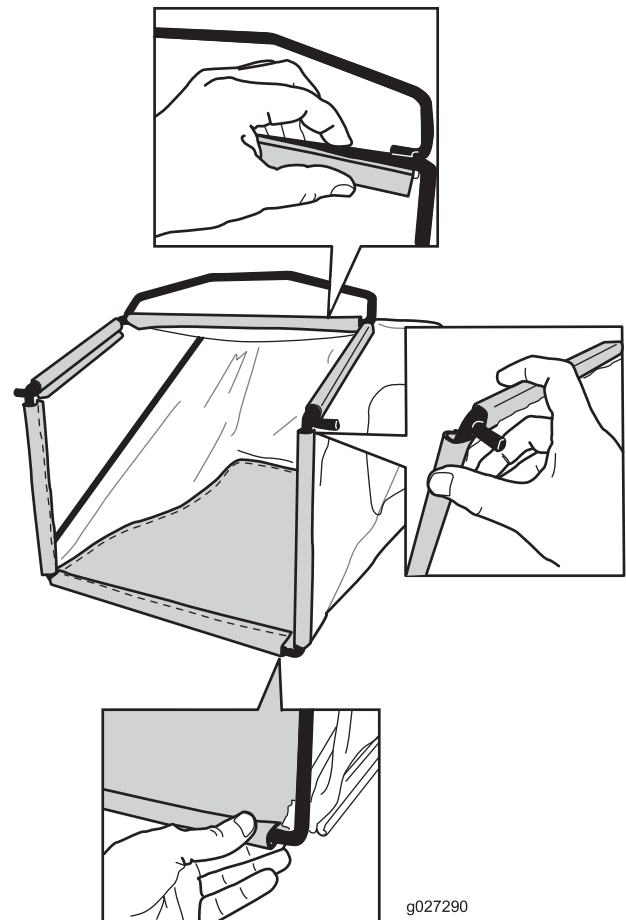


Bild 10

4

Einstellen des Selbstantriebs

Keine Teile werden benötigt

Verfahren

Wichtig: Vor dem ersten Einsatz der Maschine müssen Sie den Bowdenzug des Selbstantriebs einstellen. Siehe [Einstellen des Selbstantriebs \(Seite 20\)](#).

5

Montieren des Fangkorbs

Keine Teile werden benötigt

Verfahren

1. Schieben Sie den Fangkorb auf den Rahmen, wie in [Bild 9](#) abgebildet.

3. Haken Sie die oberen und seitlichen Kanäle des Grasfangkorbs an der Oberseite und der Seite des Rahmens ein (Bild 10).

Produktübersicht

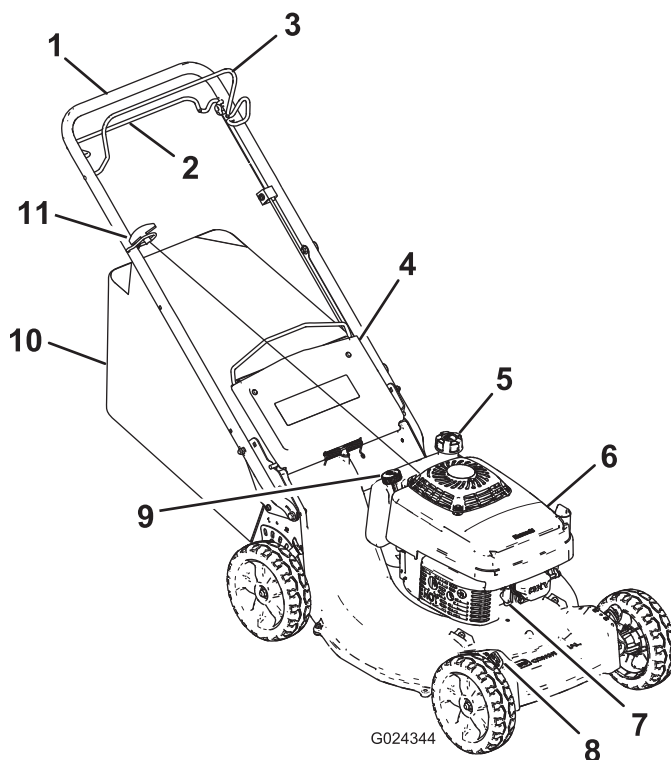


Bild 11

- | | |
|------------------------|----------------------------------|
| 1. Bügel | 7. Zündkerze |
| 2. Selbstantriebsbügel | 8. Schnitthöheneinstellhebel (4) |
| 3. Schaltbügel | 9. Einfüllstutzen/Ölpeilstab |
| 4. Heckklappe | 10. Fangkorb |
| 5. Tankdeckel | 11. Rücklaufstarterbügel |
| 6. Luftfilter | |

Technische Daten

Gewicht	56 kg
Länge	161 cm
Breite	55 cm
Höhe	88 cm

Betrieb

Hinweis: Bestimmen Sie die linke und rechte Seite der Maschine anhand der üblichen Einsatzposition.

Stellen Sie vor jedem Mähen sicher, dass der Selbstantrieb und der Schaltbügel einwandfrei funktionieren. Wenn Sie den Schaltbügel loslassen, müssen das Messer und der Selbstantrieb zum Stillstand kommen. Wenn das nicht der Fall ist, setzen Sie sich mit Ihrem Toro Vertragshändler in Verbindung.

⚠ ACHTUNG

Der Geräuschpegel dieser Maschine beträgt am Ohr des Benutzers mehr als 85 dBA, und dies kann bei einem längeren Einsatz Gehörschäden verursachen.

Tragen Sie während des Arbeitseinsatzes der Maschine einen Gehörschutz.



Bild 12

1. Warnung: Tragen Sie einen Gehörschutz.

Prüfen des Motorölstands

Wartungsintervall: Bei jeder Verwendung oder täglich—Prüfen Sie den Motorölstand.

Stellen Sie vor jedem Einsatz der Maschine sicher, dass der Ölstand zwischen den Nachfüll- und Voll-Markierungen am Peilstab liegt (Bild 13).

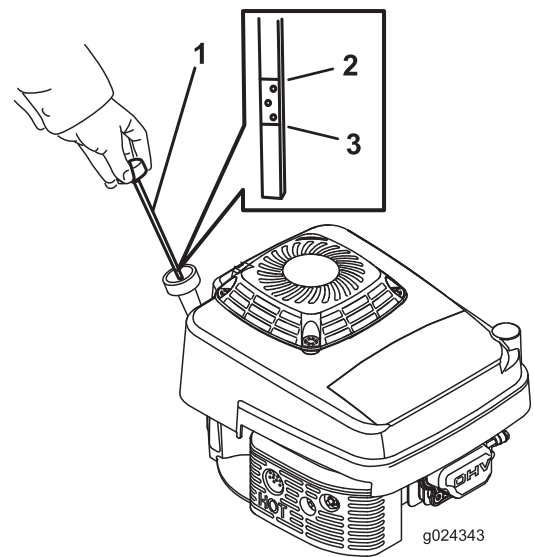


Bild 13

1. Peilstab
2. Voll-Markierung
3. Nachfüll-Markierung

Füllen Sie Öl nach, wenn der Ölstand unter der Nachfüll-Markierung steht. Siehe [3 Auffüllen des Kurbelgehäuses mit Öl \(Seite 10\)](#).

Betanken mit Benzin

⚠ GEFAHR

Benzin ist brennbar und explodiert schnell. Feuer und Explosionen durch Benzin können Verbrennungen bei Ihnen und anderen Personen verursachen.

- Stellen Sie den Kanister bzw. die Maschine vor dem Auftanken auf den Boden und nicht auf ein Fahrzeug oder auf ein Objekt, um eine elektrische Ladung durch das Entzünden des Benzins zu vermeiden.
- Füllen Sie den Tank außen, wenn der Motor kalt ist. Wischen Sie verschütteten Kraftstoff auf.
- Rauchen Sie nicht beim Umgang mit Benzin, und gehen Sie nicht in der Nähe von offenem Feuer oder Funken mit Benzin um.
- Bewahren Sie Benzin nur in zugelassenen Benzinkanistern und an einem für Kinder unzugänglichen Ort auf.
- Die besten Ergebnisse erhalten Sie, wenn Sie sauberes, frisches (höchstens 30 Tage alt), bleifreies Benzin mit einer Mindestoktanzahl von 87 (R+M)/2 verwenden.
- Mit Sauerstoff angereicherter Kraftstoff mit 10 % Ethanol oder 15 % MTBE (Volumenanteil) ist auch geeignet.
- **Ethanol:** Kraftstoff, der mit 10 % Ethanol oder 15 % MTBE (Volumenanteil) angereichert ist, ist auch geeignet.

Ethanol und MTBE sind nicht identisch. Benzin mit 15 % Ethanol (E15) (Volumenanteil) kann nicht verwendet werden. **Verwenden Sie nie Benzin, das mehr als 10 % Ethanol (Volumenanteil) enthält**, z. B. E15 (enthält 15 % Ethanol), E20 (enthält 20 % Ethanol) oder E85 (enthält 85 % Ethanol). Die Verwendung von nicht zugelassenem Benzin kann zu Leistungsproblemen und/oder Motorschäden führen, die ggf. nicht von der Garantie abgedeckt sind.

- Verwenden Sie **kein** Benzin mit Methanol.
- Lagern Sie **keinen** Kraftstoff im Kraftstofftank oder in Kraftstoffbehältern über den Winter, wenn Sie keinen Kraftstoffstabilisator verwenden.
- Vermischen Sie **nie** Benzin mit Öl.

Wichtig: Fügen Sie zur Vermeidung von Anlassproblemen beim Kraftstoff in jeder Saison Kraftstoffstabilisator zu. Mischen Sie den Stabilisator mit Benzin, das nicht älter als 30 Tage ist.

Hinweis: Der Kraftstofftank fasst 1,8 Liter.

Einstellen der Schnitthöhe

Sie können die Schnitthöhe an jedem Rad mit dem Schnitthöhenhebel einstellen. Die Schnitthöheneinstellungen sind 25 mm, 38 mm, 51 mm, 64 mm, 76 mm, 89 mm, 102 mm sowie 114 mm.

⚠ GEFAHR

Beim Einstellen der Schnitthöhenhebel können Ihre Hände ein bewegliches Messer berühren und Sie können schwere Verletzungen erleiden.

- Stellen Sie den Motor ab und warten den Stillstand aller beweglichen Teile ab, bevor Sie die Schnitthöhe einstellen.
- Führen Sie Ihre Finger beim Einstellen der Schnitthöhe nie unter das Mähwerk.

1. Ziehen Sie den Schnitthöhenhebel zum Rad (Bild 14) und schieben Sie ihn in die gewünschte Stellung.

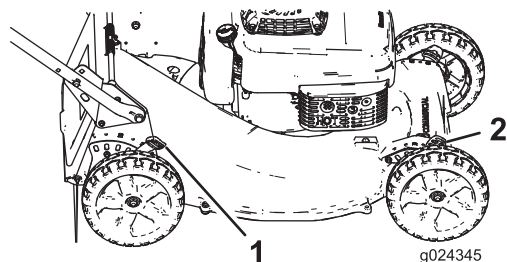


Bild 14

1. Hinterer Schnitthöhenhebel (2)
2. Vorderer Schnitthöhenhebel (2)

2. Lösen Sie den Schnitthöhenhebel und lassen Sie ihn in der Kerbe einrasten.

3. Stellen Sie alle Räder auf die gleiche Schnitthöheneinstellung ein.

Anlassen des Motors

1. Stecken Sie den Zündkerzenstecker auf die Zündkerze.
2. Drücken Sie die Kaltstarthilfe (Bild 15) kräftig für eine Sekunde.

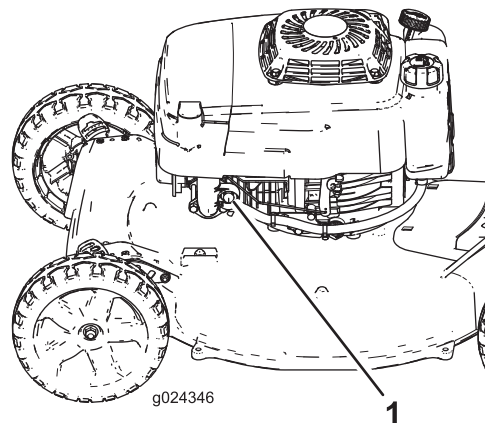


Bild 15

1. Kaltstarthilfe

3. Halten Sie den Schaltbügel gegen den oberen Bügel (Bild 16).

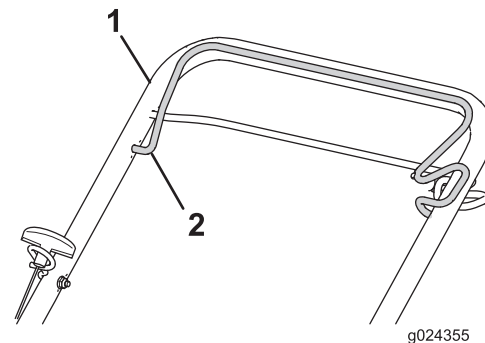


Bild 16

1. Oberer Bügel
2. Schaltbügel

4. Ziehen Sie leicht am Startergriff, bis Sie einen Widerstand spüren. Ziehen Sie ihn dann kräftig durch und lassen ihn langsam in die Seilführung am Bügel zurückgehen.

Hinweis: Wenn der Motor nicht anspringt, wiederholen Sie die Schritte 2 bis 4.

Abstellen des Motors

Lassen Sie den Schaltbügel los. Der Motor und das Messer sollten innerhalb von 3 Sekunden zum Stillstand kommen. Wenn das nicht der Fall ist, setzen Sie sich mit Ihrem Toro Vertragshändler in Verbindung.

Verwenden des Selbstantriebs

- **Einkuppeln des Selbstantriebs:** Halten Sie den Selbstantriebsbügel gegen den Bügel (Bild 17).

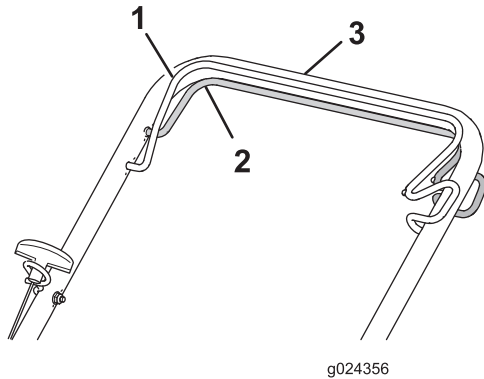


Bild 17

1. Schaltbügel (eingekuppelt)
2. Selbstantriebsbügel
3. Oberer Bügel

Hinweis: Die Höchstgeschwindigkeit für den Selbstantrieb kann nicht geändert werden. Zum Verringern der Geschwindigkeit können Sie den Abstand zwischen dem Selbstantriebsbügel und dem Bügel vergrößern.

- **Auskuppeln des Selbstantriebs:** Lassen Sie den Selbstantriebsbügel los.

Hinweis: Die Maschine hat eine Freilaufkupplung, die das Zurückziehen der Maschine vereinfacht. Zum Auskuppeln der Kupplungen müssen Sie den Rasenmäher ggf. 2,5 cm oder mehr nach vorne schieben, nachdem Sie den Selbstantriebsbügel losgelassen haben.

Schnittgutrecyclen

Diese Maschine ist werksseitig auf das Recyclen von Schnittgut und Laub eingestellt. So bereiten Sie die Maschine für das Recyclen vor:

- Nehmen Sie ggf. den Fangkorb ab, siehe [Entfernen des Fangkorbs](#) (Seite 16).
- Wenn die Heckauswurfklappe nicht eingesetzt ist, fassen Sie sie am Griff an, heben Sie die Heckklappe an und setzen sie in den Heckauswurfkanal ein, bis der Riegel einrastet (Bild 18).

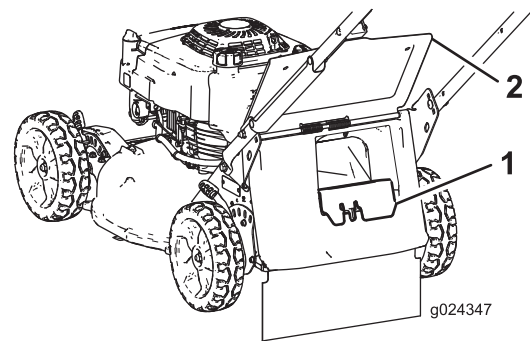


Bild 18

1. Heckauswurfklappe
2. Heckklappe

⚠️ WARNUNG:

Wenn Sie die Maschine zum Recyclen von Schnittgut ohne eingesetzte Klappe verwenden, können Objekte in ihre oder die Richtung von Unbeteiligten herausgeschleudert werden. Außerdem könnte es auch zum Kontakt mit dem Messer kommen. Herausgeschleuderte Objekte oder ein Berühren des Messers kann schwere oder tödliche Verletzungen verursachen.

Stellen Sie sicher, dass die Heckauswurfklappe eingesetzt ist, bevor Sie Schnittgut recyceln. Kuppeln Sie die Messer nur ein, wenn die Heckauswurfklappe oder der Fangkorb eingesetzt sind.

Sammeln des Schnittguts

Verwenden Sie den Fangkorb, wenn Sie Schnittgut und Laub im Fangkorb sammeln möchten.

⚠️ WARNUNG:

Ein verschlissener Fangkorb kann das Ausschleudern kleiner Steine und ähnlicher Gegenstände in Richtung des Benutzers und Unbeteiligter zulassen. Das kann zu schweren oder tödlichen Verletzungen führen.

Prüfen Sie den Fangkorb regelmäßig. Tauschen Sie ihn, wenn er beschädigt ist, gegen einen neuen Toro Ersatzkorb aus.

⚠️ WARNUNG:

Die Messer sind scharf; ein Berühren kann zu schweren Verletzungen führen.

Stellen Sie den Motor ab und warten Sie, bis alle sich drehenden Teile zum Stillstand gekommen sind, bevor Sie die Bedienungsposition verlassen.

Montieren des Fangkorbs

1. Stellen Sie den Motor ab und warten Sie, bis alle beweglichen Teile zum Stillstand gekommen sind.
2. Heben Sie die hintere Klappe an und halten Sie sie hoch (Bild 19).

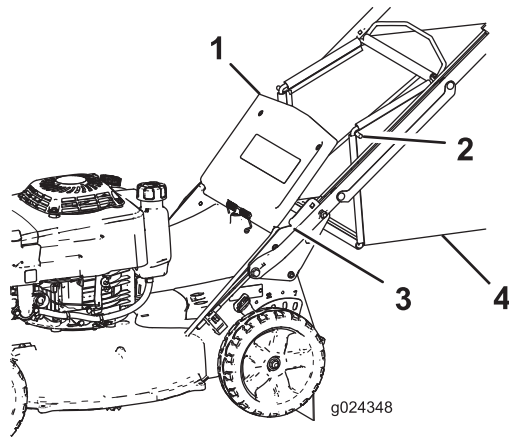


Bild 19

- | | |
|----------------------------|--------------|
| 1. Heckklappe | 3. Kerbe (2) |
| 2. Fangkorbstangenende (2) | 4. Fangkorb |

3. Drücken Sie zum Entfernen der Heckauswurfklappe mit dem Daumen auf den Riegel und ziehen die Klappe aus der Maschine (Bild 18).
4. Setzen Sie die Enden der Fangkorbstange in die Kerben an der Unterseite des Bügels ein und bewegen den Fangkorb nach vorne und hinten, um sicherzustellen, dass die Enden der Stange richtig in den Kerben sitzen (Bild 19).
5. Senken Sie die Heckklappe ab, bis sie auf dem Fangkorb aufliegt.

Entfernen des Fangkorbs

⚠ GEFAHR

Die Maschine kann Schnittgut und andere Gegenstände durch eine Öffnung im Maschinengehäuse herausschleudern. Gegenstände, die mit ausreichender Wucht herausschleudert werden, können sie und Unbeteiligte schwer oder sogar tödlich verletzen.

- Nehmen Sie nie den Fangkorb ab und lassen dann den Motor an, wenn die Heckauswurfklappe nicht eingesetzt ist.
- Öffnen Sie die Heckklappe nie bei laufendem Motor.

1. Stellen Sie den Motor ab und warten Sie, bis alle beweglichen Teile zum Stillstand gekommen sind.
2. Heben Sie die Heckklappe an.

3. Nehmen Sie die Fangkorbstange am Fangkorb aus den Kerben an der Unterseite des Bügels (Bild 19).
4. Setzen Sie die Heckauswurfklappe ein, siehe [Schnittgutrecyclen \(Seite 15\)](#).
5. Senken Sie die Heckklappe ab.

Betriebshinweise

Allgemeine Hinweise

- Lesen Sie die Sicherheitsvorschriften und diese Anleitung sorgfältig durch, bevor Sie die Maschine in Betrieb nehmen.
- Räumen Sie Gehölz, Steine, Drähte, Äste und andere Fremdkörper, auf die das Messer aufprallen und die herausgeschleudert werden könnten, aus dem Arbeitsbereich.
- Halten Sie alle Unbeteiligten, insbesondere Kinder und Haustiere, aus dem Einsatzbereich fern.
- Vermeiden Sie den Kontakt mit Bäumen, Mauern, Bordsteinen und anderen festen Gegenständen. Mähen Sie nie absichtlich über irgendwelchen Gegenständen.
- Stellen Sie den Motor sofort ab, wenn der Mäher auf einen Gegenstand aufprallt oder anfängt zu vibrieren, ziehen den Kerzenstecker von der Zündkerze und untersuchen Sie den Mäher auf eventuelle Beschädigungen.
- Halten Sie die **Messer** während der ganzen Mähseason scharf. Feilen Sie Auskerbungen in den Messern regelmäßig aus.
- Tauschen Sie die Messer bei Bedarf durch Toro Originalersatzmesser aus.
- Mähen Sie nur trockenes Gras oder Laub. Nasses Gras und Laub neigen zum Verklumpen im Garten und können ein Verstopfen des Rasenmähers und ein Abstellen des Motors verursachen.

⚠ WARNUNG:

Nasses Gras und/oder nasse Blätter können zu schweren Verletzungen führen, sollten Sie darauf ausrutschen und mit dem Messer in Berührung kommen.

Mähen Sie nur unter trockenen Bedingungen.

- Reinigen Sie die Unterseite der Maschine nach jedem Mähen, siehe [Reinigen unter dem Gerät \(Seite 23\)](#).
- Erhalten Sie den guten Betriebszustand des Motors.
- Reinigen Sie den Luftfilter regelmäßig. Beim Mulchen wird mehr Schnittgut und Staub aufgewirbelt als normal üblich, was zum Verstopfen des Luftfilters und reduzierter Motorleistung führt.
- Stellen Sie für optimale Ergebnisse die Motordrehzahl auf Schnell.

⚠️ WARNUNG:

Wenn Sie die Maschine mit einer Drehzahl einsetzen, die über der Werkseinstellung liegt, kann dies zum Ausschleudern eines Teils des Messers oder Motors in ihre oder die Richtung von Unbeteiligten führen. Dies kann zu schweren oder tödlichen Verletzungen führen.

- **Verändern Sie die Motordrehzahl nicht.**
- **Wenn Sie befürchten, dass sich der Motor schneller als normal dreht, setzen Sie sich mit Ihrem Toro Vertragshändler in Verbindung.**

Mähen

- Gras wächst zu verschiedenen Zeiten während der Saison unterschiedlich schnell. Im Hochsommer sollten Sie den Rasen mit den Schnitthöheneinstellungen von 64 mm, 76 mm oder 89 mm mähen. Mähen Sie immer nur ein Drittel des Grashalms in einem Durchgang. Mähen Sie nicht unter der 64-mm-Einstellung, es sei denn, das Gras wächst sehr fein, oder es ist Spätherbst und das Graswachstum lässt nach.
- Wenn Sie Gras mähen, das länger als 15 cm ist, sollten Sie beim ersten Durchgang die Schnitthöhe auf die höchste Einstellung stellen und langsamer gehen. Mähen Sie dann noch einmal mit einer niedrigeren Einstellung, um dem Rasen das gewünschte Schnittbild zu verleihen. Wenn das Gras zu lang ist und Laub auf dem Rasen verklumpt, kann der Rasenmäher verstopfen, und der Motor wird ggf. abgestellt.
- Wechseln Sie häufig die Mährichtung. Dadurch verteilt sich das Schnittgut besser auf der Rasenfläche und bewirkt ein effektiveres Düngen.

Probieren Sie bei einem unbefriedigenden Schnittbild des Rasens eine der folgenden Abhilfen aus:

- Schärfen Sie das Messer.
- Gehen Sie beim Mähen langsamer.
- Heben Sie die Schnitthöhe des Rasenmähers an.
- Mähen Sie häufiger.
- Lassen Sie die Bahnen überlappen, anstelle bei jedem Gang eine neue Bahn zu mähen.

Schnetzeln von Laub

- Stellen Sie nach dem Mähen sicher, dass die Hälfte des Rasens durch die Schnittgutdecke sichtbar ist. Dabei müssen Sie unter Umständen mehrmals über das Laub mähen.
- Stellen Sie bei einem leichten Blattfall alle Räder auf die gleiche Schnitthöhe.
- Mähen Sie langsamer, wenn die Maschine das Laub nicht fein genug häckselt.

Wartung

Hinweis: Bestimmen Sie die linke und rechte Seite der Maschine anhand der üblichen Einsatzposition.

Empfohlener Wartungsplan

Wartungsintervall	Wartungsmaßnahmen
Nach acht Betriebsstunden	<ul style="list-style-type: none">• Wechseln Sie das Motoröl.
Nach 25 Betriebsstunden	<ul style="list-style-type: none">• Ziehen Sie lose Befestigungen an.
Bei jeder Verwendung oder täglich	<ul style="list-style-type: none">• Prüfen Sie den Motorölstand.• Prüfen Sie das Messer regelmäßig auf Abnutzung und Defekte.• Prüfen Sie den Beschleuniger auf Abnutzung oder Beschädigungen.• Entfernen Sie Schnittgut und Rückstände von der Unterseite der Maschine.• Prüfen Sie die Messerbremszeit bis zum Stillstand. Das Messer muss innerhalb von drei Sekunden nach dem Loslassen des Schaltbügels zum Stillstand kommen. Wenden Sie sich sonst für eine Reparatur an Ihren Toro Vertragshändler.• Überprüfen Sie den Motor auf lose oder fehlende Befestigungen.• Achten Sie auf Kraftstoff- oder Öllecks.• Prüfen oder reinigen Sie den Rücklaufstarter und das Luftansauggitter.
Alle 25 Betriebsstunden	<ul style="list-style-type: none">• Reinigen Sie den Schaumvorfilter (häufiger bei staubigen Bedingungen).
Alle 40 Betriebsstunden	<ul style="list-style-type: none">• Reinigen Sie die Räder und der Zahnräder.
Alle 50 Betriebsstunden	<ul style="list-style-type: none">• Wechseln Sie das Motoröl (häufiger in staubigen Bedingungen).• Schärfen Sie das Schnittmesser oder tauschen Sie es aus. Schärfen oder tauschen Sie das Messer häufiger aus, wenn raue oder sandige Bedingungen die Kante schneller stumpf machen.
Alle 100 Betriebsstunden	<ul style="list-style-type: none">• Prüfen, reinigen und stellen Sie die Zündkerze ein, tauschen Sie sie bei Bedarf aus.• Ziehen Sie lose Befestigungen an.• Prüfen oder reinigen Sie den Rücklaufstarter und das Luftansauggitter.
Alle 200 Betriebsstunden	<ul style="list-style-type: none">• Lassen Sie von einem offiziellen Händler prüfen, dass die Kraftstoffanlage keine Lecks und/oder eine degradierende Kraftstoffleitung aufweist. Tauschen Sie Teile bei Bedarf aus.
Alle 300 Betriebsstunden	<ul style="list-style-type: none">• Wechseln Sie den Papierluftfilter aus (häufiger bei staubigen Bedingungen).• Reinigen Sie den Zylinder und die Kühlrippen des Zylinderkopfes.• Lassen Sie die Motordrehzahl im Leerlauf von einem offiziellen Motorservicehändler prüfen und einstellen.• Lassen Sie die Brennkammer von einem offiziellen Motorservicehändler reinigen.• Lassen Sie den Ventilabstand von einem offiziellen Motorservicehändler prüfen und einstellen.• Lassen Sie die Oberfläche des Ventilsockels von einem offiziellen Motorservicehändler reinigen und läppen.

Wichtig: Beachten Sie für weitere Wartungsmaßnahmen die Motorbedienungsanleitung.

▲ ACHTUNG

Wenn Sie den Zündkerzenstecker nicht abziehen, besteht die Gefahr, dass jemand versehentlich den Motor startet. Das kann Sie und Unbeteiligte schwer verletzen.

Klemmen Sie vor dem Beginn von Wartungsarbeiten das Zündkabel ab. Schieben Sie den Stecker zur Seite, damit er die Zündkerze nicht versehentlich berühren kann.

Warten des Motors

Warten des Luftfilters

Wartungsintervall: Alle 25 Betriebsstunden—Reinigen Sie den Schaumvorfilter (häufiger bei staubigen Bedingungen).

Alle 300 Betriebsstunden—Wechseln Sie den Papierluftfilter aus (häufiger bei staubigen Bedingungen).

Wichtig: Lassen Sie den Motor nie ohne Luftfilter laufen, sonst entstehen schwere Motorschäden.

1. Stellen Sie den Motor ab und warten Sie, bis alle beweglichen Teile zum Stillstand gekommen sind.
2. Klemmen Sie das Zündkabel von der Zündkerze ab.
3. Lösen Sie die Schraube am Luftfiltergehäuse (Bild 20).

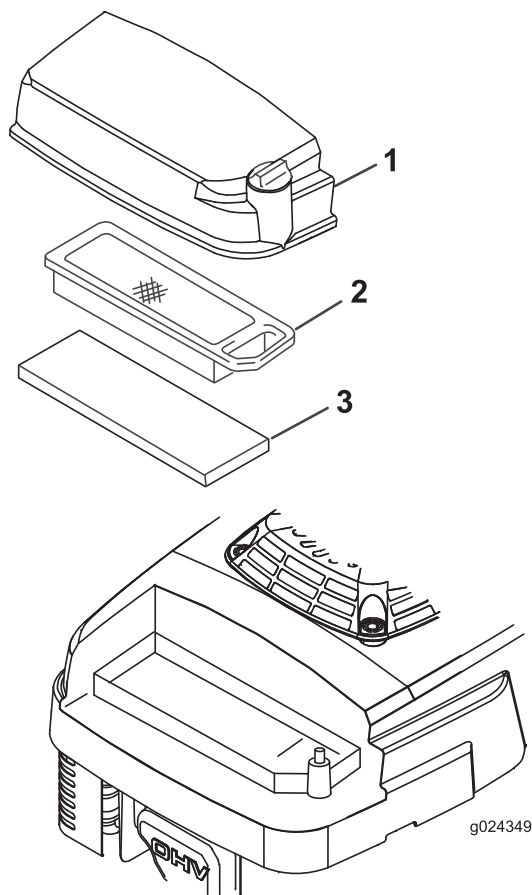


Bild 20

- | | |
|----------------------|------------------|
| 1. Luftfiltergehäuse | 3. Schaumeinsatz |
| 2. Papierluftfilter | |
-
4. Entfernen Sie das Gehäuse und reinigen Sie es gründlich.
 5. Nehmen Sie den Papierluftfilter ab, prüfen Sie ihn (Bild 20) und werfen Sie ihn weg, wenn er zu stark verschmutzt ist.

Wichtig: Versuchen Sie nie, Papierfilter zu reinigen.

6. Entfernen Sie den Schaumvorfilter (Bild 20) und waschen Sie ihn in milder Seifenlauge. Tupfen Sie ihn dann trocken.
7. Setzen Sie den Schaumvorfilter ein.
8. Setzen Sie den Papierluftfilter ein.
9. Setzen Sie das Gehäuse auf und befestigen es mit der Schraube.

Wechseln des Motoröls

Wartungsintervall: Nach acht Betriebsstunden

Alle 50 Betriebsstunden

1. Lassen Sie den Motor laufen, um das Öl zu erwärmen.

Hinweis: Warmes Öl fließt besser und führt mehr Fremdstoffe mit sich.

⚠️ WARNUNG:

Wenn der Motor gelaufen ist, kann das Öl heiß genug sein, um beim Kontakt schwere Verbrühungen zu verursachen.

Vermeiden Sie den Kontakt mit heißem Öl, wenn Sie dieses ablassen.

2. Stellen Sie den Motor ab und warten Sie, bis alle beweglichen Teile zum Stillstand gekommen sind.
3. Klemmen Sie das Zündkabel von der Zündkerze ab.
4. Entleeren Sie den Kraftstofftank.
5. Stellen Sie eine passende Auffangwanne unter den Peilstab bzw. Ölablass.
6. Reinigen Sie den Bereich um den Peilstab.
7. Entfernen Sie den Peilstab, indem Sie den Deckel nach links drehen und herausziehen.
8. Kippen Sie die Maschine auf die **rechte** Seite (Luftfilter nach oben) und lassen Sie das Öl in die Auffangwanne ablaufen.
9. Stellen Sie den Rasenmäher nach dem Ablassen des Öls wieder in die Betriebsstellung.
10. Füllen Sie das Kurbelgehäuse bis zur Voll-Markierung am Ölpeilstab mit frischem Öl, siehe [3 Auffüllen des Kurbelgehäuses mit Öl \(Seite 10\)](#)
11. Stecken Sie den Peilstab in den Einfüllstutzen und drehen Sie dann den Deckel nach rechts, bis er fest ist.
12. Wischen Sie verschüttetes Öl auf.
13. Recyceln Sie das Altöl entsprechend den örtlich geltenden Vorschriften.

Warten der Zündkerze

Wartungsintervall: Alle 100 Betriebsstunden—Prüfen, reinigen und stellen Sie die Zündkerze ein, tauschen Sie sie bei Bedarf aus.

Verwenden Sie eine **NGK BPR5ES** oder gleichwertige Zündkerze.

1. Stellen Sie den Motor ab und warten Sie, bis alle beweglichen Teile zum Stillstand gekommen sind.
2. Klemmen Sie das Zündkabel von der Zündkerze ab.
3. Reinigen Sie den Bereich um die Zündkerze herum.
4. Entfernen Sie die Zündkerze aus dem Zylinderkopf.

Wichtig: Sie müssen eine gerissene, verrostete oder verschmutzte Zündkerze austauschen. Reinigen Sie nie die Elektroden, da Abschabungen in den Zylinder eindringen und den Motor beschädigen könnten.

5. Stellen Sie den Elektrodenabstand auf 0,76 mm ein (Bild 21).

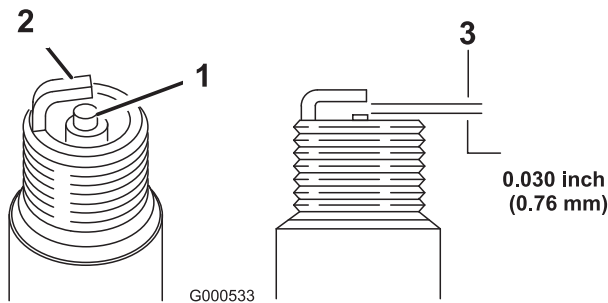


Bild 21

1. Isolierung an mittlerer Elektrode
2. Seitliche Elektrode
3. Elektrodenabstand (nicht maßstabsgetreu)

6. Setzen Sie die Zündkerze vorsichtig mit der Hand ein (zum Vermeiden eines Überdrehens), bis sie festgezogen ist.
7. Ziehen Sie die Zündkerze mit 23 N·m an.

Wichtig: Eine lockere Zündkerze kann sehr heiß werden und den Motor beschädigen. Ein zu starkes Festziehen der Zündkerze kann das Gewinde im Zylinderkopf beschädigen.

8. Schließen Sie den Zündkerzenstecker wieder an die Zündkerze an.

Warten des Antriebssystems

Einstellen des Selbstantriebs

Hinweis: Wenn die Maschine neu ist, der Selbstantrieb ausgefallen ist oder die Maschine nach vorne kriecht, müssen Sie den Treibriemen einstellen.

1. Stellen Sie die Maschine außen auf eine befestigte Oberfläche in der Nähe einer Wand, damit sich die Maschine bei laufendem Motor nicht vorwärts bewegen kann.
2. Stellen Sie die Maschine so, dass die Vorderreifen die Wand berühren.

Hinweis: Stellen Sie sicher, dass der Bereich gut belüftet ist und keine Gegenstände enthält, die von der Maschine aufgegriffen werden könnten.

3. Lassen Sie den Motor an, siehe [Anlassen des Motors](#) (Seite 14).
4. Ziehen Sie den Selbstantriebsbügel zum Bügel.

Hinweis: Die Räder sollten sich drehen, wenn der Selbstantriebsbügel gerade den Bügel berührt.

5. Stellen Sie den Motor ab.
6. Wenn Sie die Maschine einstellen müssen, führen Sie einen der folgenden Schritte aus:
 - Wenn sich die Räder nicht bei eingekuppeltem Selbstantriebsbügel drehen, ist der Treibriemen zu lose. Drehen Sie das Steuerhandrad für den Radantrieb (Bild 22) um eine Umdrehung nach rechts und wiederholen Sie die Schritte 3 bis 5.

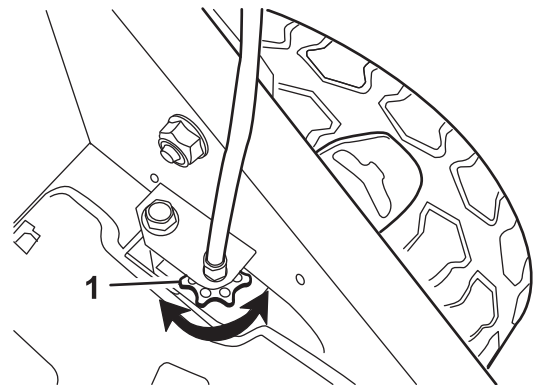


Bild 22

1. Steuerhandrad für den Radantrieb

- Wenn sich die Räder drehen, bevor der Selbstantriebsbügel ganz eingekuppelt ist, ist der Treibriemen zu fest. Drehen Sie das Steuerhandrad für den Radantrieb (Bild 22) um eine Umdrehung nach links und wiederholen Sie die Schritte 3 bis 5.

7. Drehen Sie das Steuerhandrad für den Selbstantrieb bei einem neuen Treibriemen um eine weitere Umdrehung nach rechts, damit sich der Riemen in der Einfahrzeit dehnen kann.

Hinweis: Sie können diesen Schritt auslassen, wenn Sie einen gebrauchten Riemen einstellen.

Warten der Schnittmesser

Warten des Schnittmessers

Mähen Sie immer mit einem scharfen Messer. Ein scharfes Messer mäht sauber, ohne Grashalme zu zerreißen oder zu zerschmetzeln.

1. Stellen Sie den Motor ab und warten Sie, bis alle beweglichen Teile zum Stillstand gekommen sind.
2. Klemmen Sie das Zündkabel von der Zündkerze ab.
3. Entleeren Sie den Kraftstofftank.
4. Kippen Sie die Maschine auf die **rechte** Seite (Luftfilter nach oben), wie in [Bild 23](#) abgebildet.

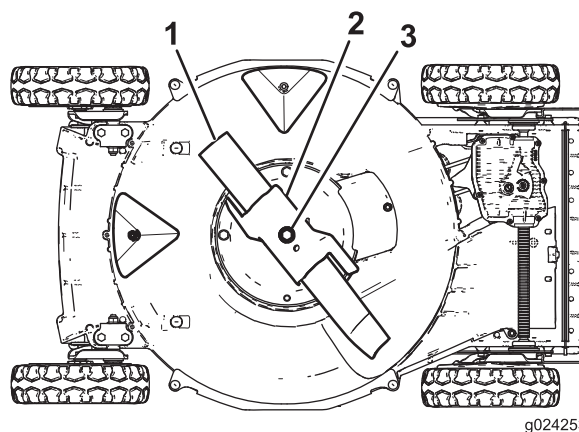


Bild 23

- | | |
|------------------|---|
| 1. Messer | 3. Messerschraube und Sicherungsscheibe |
| 2. Beschleuniger | |

Prüfen des Messers

Wartungsintervall: Bei jeder Verwendung oder täglich—Prüfen Sie das Messer regelmäßig auf Abnutzung und Defekte.

Prüfen Sie vorsichtig die Schärfe und Abnutzung des Messers, besonders an den Stellen, an denen sich flache und gebogene Teile berühren ([Bild 24A](#)). Da Sand und anderes reibendes Material das Metall abschleifen kann, das die flachen mit den gebogenen Teilen verbindet, müssen Sie das Messer vor jedem Einsatz des Rasenmähers prüfen. Wenn Sie einen Schlitz oder eine Abnutzung ([Bild 24B](#) und [CBild 24](#)) feststellen, tauschen Sie das Messer aus, siehe [Warten des Schnittmessers \(Seite 21\)](#).

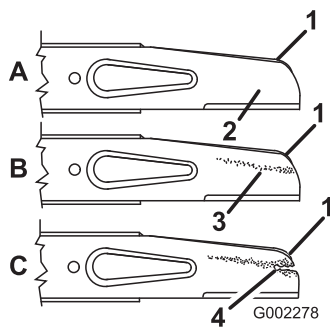


Bild 24

- | | |
|--------------------------------|-------------------------------|
| 1. Windflügel | 3. Abnutzung |
| 2. Der flache Teil des Messers | 4. Es bildet sich ein Schlitz |

Hinweis: Montieren Sie für eine optimale Leistung ein neues Messer vor dem Saisonbeginn. Feilen Sie im Laufe der Saison alle kleineren Auskerbungen aus, um die scharfe Messerkante beizubehalten.

⚠ GEFAHR

Ein abgenutztes oder beschädigtes Messer kann zerbrechen und ein Messerstück kann in ihre oder die Richtung von Unbeteiligten herausgeschleudert werden und schwere oder tödliche Verletzungen verursachen.

- Prüfen Sie das Messer regelmäßig auf Abnutzung und Defekte.
- Tauschen Sie ein abgenutztes oder defektes Messer aus.

Prüfen des Beschleunigers

Wartungsintervall: Bei jeder Verwendung oder täglich—Prüfen Sie den Beschleuniger auf Abnutzung oder Beschädigungen.

Prüfen Sie den Beschleuniger auf extreme Abnutzungen (Bild 25). Da Sand und anderes reibendes Material das Metall abschleifen kann (besonders in dem als Punkt 2 in Bild 25 abgebildeten Bereich), prüfen Sie den Beschleuniger vor dem Verwenden der Maschine. Wenn Sie feststellen, dass eine Nase am Beschleuniger zu einer scharfen Kante abgenutzt ist, oder dass ein Riss vorhanden ist, tauschen Sie den Beschleuniger aus, siehe Prüfen des Beschleunigers (Seite 22).

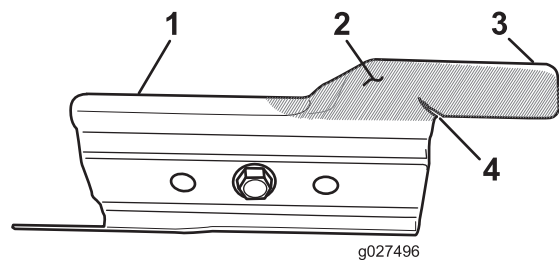


Bild 25

- | | |
|----------------------|----------------|
| 1. Beschleuniger | 3. Nase |
| 2. Abnutzungsbereich | 4. Rissbildung |

⚠ WARNUNG:

Ein abgenutzter oder beschädigter Beschleuniger kann zerbrechen und ein Teil des Beschleunigers kann herausgeschleudert werden und Sie oder Unbeteiligte treffen und schwere oder tödliche Verletzungen verursachen.

- Prüfen Sie den Beschleuniger regelmäßig auf Abnutzung und Defekte.
- Tauschen Sie einen abgenutzten oder defekten Beschleuniger aus.

Entfernen des Messers

1. Fassen Sie das Ende des Messers mit einem dicken Handschuh an oder wickeln Sie einen Lappen um das Messer.
2. Nehmen Sie die Messerschraube, Sicherungsscheibe, den Beschleuniger und das Messer ab (Bild 24).

Schärfen des Messers

Wartungsintervall: Alle 50 Betriebsstunden—Schärfen Sie das Schnittmesser oder tauschen Sie es aus. Schärfen oder tauschen Sie das Messer häufiger aus, wenn raue oder sandige Bedingungen die Kante schneller stumpf machen.

Feilen Sie die Oberseite des Messers, um den ursprünglichen Schnittwinkel beizubehalten (Bild 26A), und den Radius der inneren Schnittkante (Bild 26B). Das Messer bleibt ausgewuchtet, wenn Sie die gleiche Menge Metall von beiden Schnittkanten entfernen.

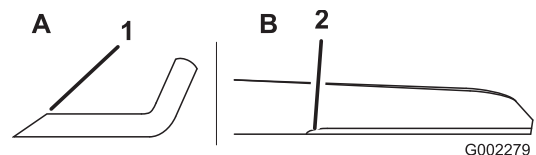


Bild 26

1. Schärfen Sie das Messer nur in diesem Winkel.
2. Behalten Sie hier den ursprünglichen Radius bei.

Auswuchten des Messers

1. Prüfen Sie die Auswuchtung des Messers, indem Sie das mittlere Loch im Messer über einen Nagel oder einen Schraubenzieherschaft hängen, den Sie horizontal in einen Schraubstock einklemmen (Bild 27).

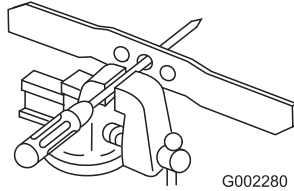


Bild 27

Hinweis: Sie können die Wucht gleichfalls in einem für den gewerblichen Bedarf erhältlichen Messerauswuchtgerät prüfen.

2. Wenn sich ein Ende des Messers nach unten dreht, feilen Sie dieses Ende etwas ab (nicht die Schnittkante oder in der Nähe der Schnittfläche), bis sich beide Enden des Messers nicht mehr nach unten drehen.

Montieren des Messers

1. Montieren Sie ein scharfes, ausgewuchtetes Toro Messer, den Beschleuniger, die Sicherungsscheibe und die Messerschraube. Die Windflügel müssen nach oben in Richtung des Mähergehäuses zeigen.

Hinweis: Ziehen Sie die Messerschraube mit 68 N m an.

⚠️ WARNUNG:

Der Einsatz der Maschine ohne den Beschleuniger kann dazu führen, dass sich das Messer bewegt, verbiegt oder bricht. Dies kann zu schweren oder tödlichen Verletzungen für sie oder Unbeteiligte führen.

Setzen Sie die Maschine nie ohne Beschleuniger ein.

2. Stellen Sie die Maschine wieder in die Betriebsstellung.

Reinigung

Reinigen unter dem Gerät

Halten Sie die Unterseite der Maschine sauber, um die beste Leistung zu garantieren. Achten Sie besonders darauf, die Kicker sauber zu halten (Bild 28).

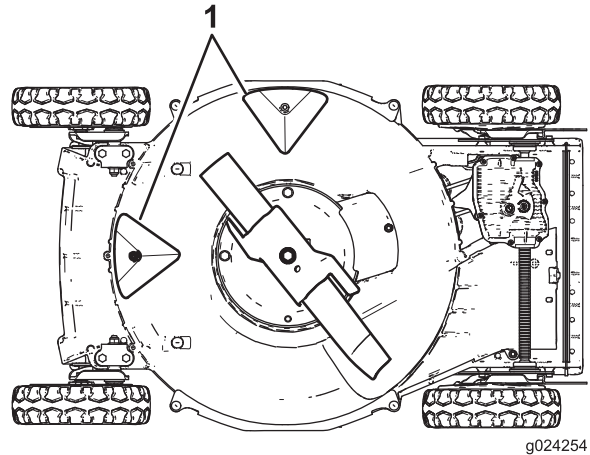


Bild 28

1. Kicker

Waschen

Wartungsintervall: Bei jeder Verwendung oder täglich

⚠️ WARNUNG:

Die Maschine kann Ablagerungen unter der Maschine lockern.

- Tragen Sie eine Schutzbrille.
- Bleiben Sie in der Einsatzstellung (hinter dem Bügel) wenn der Motor läuft.
- Halten Sie Unbeteiligte vom Bereich fern.

1. Stellen Sie den Rasenmäher auf eine flache Beton- oder Asphaltfläche in der Nähe eines Gartenschlauchs.
2. Lassen Sie den Motor an.
3. Halten Sie den Wasserschlauch auf Bügelhöhe und richten Sie den Wasserstrahl unmittelbar vor dem rechten Hinterrad auf den Boden (Bild 29).

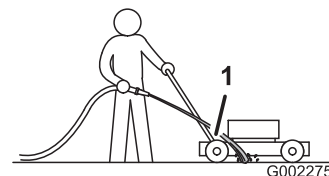


Bild 29

1. Rechtes Hinterrad

Hinweis: Das Wasser spritzt dann in den Messerlaufweg und spült das Schnittgut aus. Reinigen Sie weiter mit Wasser, bis kein Schnittgut mehr von der Unterseite der Maschine ausgespült wird.

4. Stellen Sie den Motor ab und warten Sie, bis alle beweglichen Teile zum Stillstand gekommen sind.
5. Drehen Sie den Wasserhahn zu.
6. Lassen Sie die Maschine an und lassen Sie sie für ein paar Minuten laufen, um die Unterseite der Maschine und die Komponenten auszutrocknen.

Abschaben

Schaben Sie Rückstände von der Unterseite des Mähwerks ab, wenn sie nicht vollständig durch das Waschen beseitigt wurden.

1. Schließen Sie den Zündkerzenstecker ab.
2. Entleeren Sie den Kraftstofftank.

⚠️ WARNUNG:

Das Kippen der Maschine kann dazu führen, dass Kraftstoff aus dem Vergaser oder dem Kraftstofftank austritt. Benzin ist leicht brennbar, hoch explosiv und kann, unter gewissen Umständen, zu Verletzungen oder Sachschäden führen.

Vermeiden Sie Verschüttungen, indem Sie den Motor trocken laufen lassen oder indem Sie das Benzin mit einer Handpumpe absaugen. Verwenden Sie nie einen Siphon.

3. Kippen Sie die Maschine auf die **rechte** Seite (Luftfilter nach oben).
4. Entfernen Sie die Schmutz- und Schnittgutrückstände mit einem Hartholzschaber. Vermeiden Sie Grate und scharfe Kanten.
5. Stellen Sie die Maschine wieder in die Betriebsstellung.
6. Schließen Sie den Zündkerzenstecker wieder an die Zündkerze an.

Reinigen der Räder

Wartungsintervall: Alle 40 Betriebsstunden

1. Nehmen Sie die Hinterräder ab und entfernen Rückstände vom Zahnradbereich.

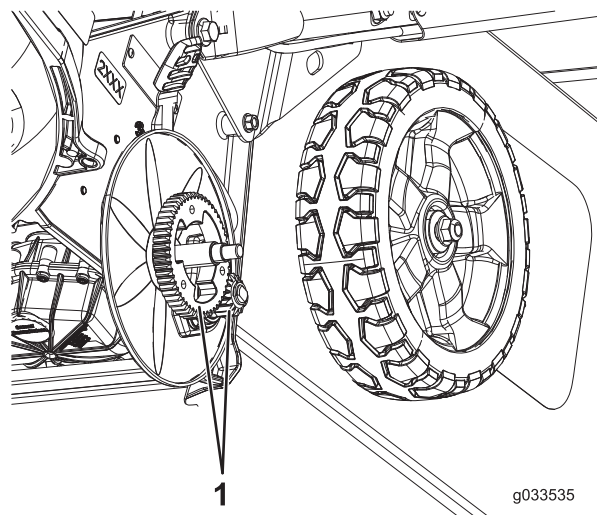


Bild 30

1. Zahnräder

2. Tragen Sie nach dem Reinigen etwas Gleitschuttmittel auf die Zahnräder auf.

Hinweis: Wenn Sie die Maschine in extremen Bedingungen einsetzen, halten die Zahnräder länger, wenn Sie die Räder häufiger reinigen.

Hinweis: Reinigen Sie die Lager nicht mit einem Hochdruckreiniger, da die Lagerdichtungen beschädigt werden können.

Einlagerung

Führen Sie die empfohlenen Wartungsarbeiten durch, um die Maschine für die saisonbedingte Einlagerung vorzubereiten; siehe [Wartung \(Seite 18\)](#).

Lagern Sie die Maschine an einem kühlen, sauberen und trockenen Ort ein. Decken Sie die Maschine ab, um sie sauber und geschützt zu halten.

Vorbereiten der Kraftstoffanlage

⚠️ WARNUNG:

Benzin kann sich bei längerer Einlagerung verflüchtigen und bei Kontakt mit offenem Licht explodieren.

- Lagern Sie Benzin nie für längere Zeit ein.
- Lagern Sie den Rasenmäher nie mit Benzin im Tank oder im Vergaser in einem geschlossenen Bereich mit einer offenen Flamme ein. (Beispiel: Heizkessel oder Wasserheizgerät mit Zündflamme.)
- Lassen Sie den Motor abkühlen, bevor Sie das Gerät in einem geschlossenen Raum abstellen.

Entleeren Sie den Kraftstofftank beim letzten Mähen der Saison, bevor Sie die Maschine einlagern.

1. Lassen Sie den Motor laufen, bis der Motor aus Kraftstoffmangel abstellt.
2. Starten Sie den Motor mit Choke und lassen den Motor noch einmal an.
3. Lassen Sie den Motor laufen, bis er abstellt. Wenn sich der Motor nicht mehr starten lässt, ist er ausreichend trocken.

Vorbereiten des Motors

1. Wechseln Sie das Öl im Kurbelgehäuse, wenn der Motor noch warm ist, siehe [Wechseln des Motoröls \(Seite 19\)](#).
2. Nehmen Sie die Zündkerze heraus.
3. Gießen Sie mit einer Ölkanne ca. 30 ml Motoröl durch das Zündkerzenloch in das Kurbelgehäuse des Motors.
4. Drehen Sie den Motor mehrmals mit Hilfe des Rücklaufstarterseils, um das Öl im Kurbelgehäuse des Motors zu verteilen.
5. Drehen Sie die Zündkerze wieder ein, aber setzen Sie den Zündkerzenstecker **nicht** auf.

Allgemeine Angaben

1. Reinigen unter dem Gerät; siehe [Reinigen unter dem Gerät \(Seite 23\)](#).
2. Entfernen Sie Schmutz und Schnittgutrückstände vom Zylinder, den Zylinderkopfrippen und vom Ventilatorgehäuse.
3. Entfernen Sie Schnittgut, Schmutz und Fettrückstände von den externen Teilen des Motors, der Motorhaube und der Oberseite des Mähergehäuses.
4. Prüfen Sie den Messerzustand; siehe [Prüfen des Messers \(Seite 21\)](#).
5. Warten Sie den Luftfilter; siehe [Warten des Luftfilters \(Seite 19\)](#).
6. Ziehen Sie alle Schrauben und Muttern an.
7. Bessern Sie Lackschäden mit Lack aus, den Sie von Ihrem Toro Vertragshändler beziehen können.

Herausnehmen des Rasenmähers aus der Einlagerung

1. Ziehen Sie alle Befestigungen an.
2. Entfernen Sie die Zündkerze und drehen Sie den Motor schnell mit dem Anlasser, um überflüssiges Öl aus dem Zylinder zu entfernen.
3. Reinigen Sie die Zündkerze oder ersetzen diese, wenn sie angerissen/zerbrochen ist oder wenn die Elektroden abgenutzt sind.
4. Setzen Sie die Zündkerze ein, siehe [Warten der Zündkerze \(Seite 20\)](#).
5. Führen Sie die empfohlenen Wartungsarbeiten durch, siehe [Wartung \(Seite 18\)](#).
6. Füllen Sie den Kraftstofftank mit frischem Benzin auf.
7. Prüfen Sie den Motorölstand.
8. Schließen Sie den Zündkerzenstecker wieder an die Zündkerze an.

Fehlersuche und -behebung

Problem	Mögliche Ursache	Behebungsmaßnahme
Der Motor sollte nicht anspringen.	<ol style="list-style-type: none"> 1. Der Kraftstofftank ist leer, oder die Kraftstoffanlage enthält alten Kraftstoff. 2. Der Gasbedienungshebel steht nicht auf Choke. 3. Der Zündkerzenstecker ist nicht auf der Zündkerze. 4. Die Zündkerze weist Einkerbungen auf, ist verschmutzt oder hat den falschen Elektrodenabstand. 	<ol style="list-style-type: none"> 1. Entleeren Sie den Kraftstofftank und/oder füllen ihn mit frischem Benzin auf. Wenn Sie das Problem nicht beseitigen können, wenden Sie sich bitte an Ihren Vertragshändler. 2. Stellen Sie den Gasbedienungshebel auf Choke. 3. Schließen Sie den Zündkerzenstecker wieder an die Zündkerze an. 4. Prüfen Sie die Zündkerze und stellen Sie bei Bedarf den Elektrodenabstand ein. Ersetzen Sie die Zündkerze, wenn diese Einkerbungen aufweist, verschmutzt oder gerissen ist.
Der Motor springt nur schwer an oder verliert an Leistung.	<ol style="list-style-type: none"> 1. Der Kraftstofftank enthält alten Kraftstoff. 2. Das Luftfilterelement ist verschmutzt und behindert die Luftströmung. 3. Die Unterseite des Gehäuses weist Schnittgut- und Schmutzrückstände auf. 4. Die Zündkerze weist Einkerbungen auf, ist verschmutzt oder hat den falschen Elektrodenabstand. 5. Der Motorölstand ist zu niedrig, oder das Öl ist verschmutzt. 	<ol style="list-style-type: none"> 1. Entleeren Sie den Kraftstofftank und füllen ihn mit frischem Benzin auf. 2. Reinigen Sie den Vorfilter und/oder tauschen den Papierfilter im Luftfiltergehäuse aus. 3. Reinigen Sie die Unterseite des Mähergehäuses. 4. Prüfen Sie die Zündkerze und stellen Sie bei Bedarf den Elektrodenabstand ein. Ersetzen Sie die Zündkerze, wenn diese Einkerbungen aufweist, verschmutzt oder gerissen ist. 5. Prüfen Sie das Motoröl. Wechseln Sie verschmutztes Öl aus oder füllen Sie bei niedrigem Ölstand Öl nach.
Der Motor läuft nicht rund.	<ol style="list-style-type: none"> 1. Der Zündkerzenstecker ist nicht auf der Zündkerze. 2. Die Zündkerze weist Einkerbungen auf, ist verschmutzt oder hat den falschen Elektrodenabstand. 3. Der Gasbedienungshebel steht nicht auf „Schnell“. 4. Das Luftfilterelement ist verschmutzt und behindert die Luftströmung. 	<ol style="list-style-type: none"> 1. Schließen Sie den Zündkerzenstecker wieder an die Zündkerze an. 2. Prüfen Sie die Zündkerze und stellen Sie bei Bedarf den Elektrodenabstand ein. Ersetzen Sie die Zündkerze, wenn diese Einkerbungen aufweist, verschmutzt oder gerissen ist. 3. Stellen Sie den Gasbedienungshebel auf „Schnell“. 4. Reinigen Sie den Vorfilter und/oder tauschen den Papierfilter im Luftfiltergehäuse aus.
Die Maschine oder der Motor vibriert stark.	<ol style="list-style-type: none"> 1. Das Messer ist verbogen oder unwuchtig. 2. Die Messerbefestigungsmuttern sind locker. 3. Die Unterseite des Gerätes weist Schnittgutrückstände und Schmutz auf. 4. Die Motorbefestigungsschrauben sind locker. 	<ol style="list-style-type: none"> 1. Wuchten Sie das Messer aus. Tauschen Sie verbogene Messer aus. 2. Ziehen Sie die Muttern fest. 3. Reinigen Sie die Unterseite des Mähwerks. 4. Ziehen Sie die Motorbefestigungsschrauben an.

Problem	Mögliche Ursache	Behebungsmaßnahme
Das Schnittmuster ist nicht gleichmäßig.	<ol style="list-style-type: none"> 1. Nicht alle vier Räder sind auf die gleiche Schnitthöhe eingestellt. 2. Das Messer ist stumpf. 3. Sie mähen wiederholt im gleichen Muster. 4. Die Unterseite des Gerätes weist Schnittgutrückstände und Schmutz auf. 	<ol style="list-style-type: none"> 1. Stellen Sie alle vier Räder auf die gleiche Schnitthöhe ein. 2. Schärfen Sie das Messer und wuchten es aus. 3. Variieren Sie Ihr Mähmuster. 4. Reinigen Sie die Unterseite des Mähwerks.
Der Auswurfkanal verstopft.	<ol style="list-style-type: none"> 1. Der Gasbedienungshebel steht nicht auf „Schnell“. 2. Die Schnitthöhe ist zu niedrig. 3. Sie mähen zu schnell. 4. Das Gras ist nass. 5. Die Unterseite des Gerätes weist Schnittgutrückstände und Schmutz auf. 	<ol style="list-style-type: none"> 1. Stellen Sie den Gasbedienungshebel auf „Schnell“. 2. Verwenden Sie eine höhere Schnitthöhe. 3. Gehen Sie langsamer. 4. Lassen Sie das Gras vor dem Mähen abtrocknen. 5. Reinigen Sie die Unterseite des Mähwerks.
Der Selbstantrieb der Maschine funktioniert nicht.	<ol style="list-style-type: none"> 1. Der Selbstantrieb-Bowdenzug ist falsch eingestellt oder defekt. 2. Unter der Riemenabdeckung befinden sich Schmutzrückstände. 	<ol style="list-style-type: none"> 1. Stellen Sie den Selbstantrieb-Bowdenzug ein. Tauschen Sie den Zug bei Bedarf aus. 2. Entfernen Sie die Schmutzrückstände.

Hinweise:

Internationale Händlerliste

Vertragshändler:	Land:	Telefonnummer:	Vertragshändler:	Land:	Telefonnummer:
Agrolanc Kft	Ungarn	36 27 539 640	Maquiver S.A.	Kolumbien	57 1 236 4079
Balama Prima Engineering Equip.	Hongkong	852 2155 2163	Maruyama Mfg. Co. Inc.	Japan	81 3 3252 2285
B-Ray Corporation	Korea	82 32 551 2076	Mountfield a.s.	Tschechische Republik	420 255 704 220
Casco Sales Company	Puerto Rico	787 7888383	Mountfield a.s.	Slowakei	420 255 704 220
Ceres S.A.	Costa Rica	506 2391138	Munditol S.A.	Argentinien	54 11 4.821 9999
CSSC Turf Equipment (pvt) Ltd.	Sri Lanka	94 11 2746100	Norma Garden	Russland	7 495 411 61 20
Cyril Johnston & Co.	Nordirland	44 2890 813.121	Oslinger Turf Equipment SA	Ecuador	593 4 239 6970
Cyril Johnston & Co.	Irland	44 2890 813 121	Oy Hako Ground and Garden Ab	Finnland	358 987 00733
Equiver	Mexiko	52 55 539 95444	Parkland Products Ltd.	Neuseeland	64 3 34 93760
Femco S.A.	Guatemala	502 442 3277	Perfetto	Polen	48 61 8 208 416
ForGarder OU	Estland	372 384 6060	Pratoverde SRL.	Italien	39 049 9128 128
G.Y.K. Company Ltd.	Japan	81 726 325 861	Prochaska & Cie	Österreich	43 1 278 5100
Geomechaniki of Athens	Griechenland	30 10 935 0054	RT Cohen 2004 Ltd.	Israel	972 986 17979
Golf international Turizm	Türkei	90 216 336 5993	Riversa	Spanien	34 9 52 83 7500
Guandong Golden Star	China	86 20 876 51338	Lely Turfcare	Dänemark	45 66 109 200
Hako Ground and Garden	Schweden	46 35 10 0000	Solvart S.A.S.	Frankreich	33 1 30 81 77 00
Hako Ground and Garden	Norwegen	47 22 90 7760	Spypros Stavrinides Limited	Zypern	357 22 434131
Hayter Limited (U.K.)	Großbritannien	44 1279 723 444	Surge Systems India Limited	Indien	91 1 292299901
Hydroturf Int. Co Dubai	Vereinigte Arabische Emirate	97 14 347 9479	T-Markt Logistics Ltd.	Ungarn	36 26 525 500
Hydroturf Egypt LLC	Ägypten	202 519 4308	Toro Australia	Australien	61 3 9580 7355
Irrimac	Portugal	351 21 238 8260	Toro Europe NV	Belgien	32 14 562 960
Irrigation Products Int'l Pvt Ltd.	Indien	0091 44 2449 4387	Valtech	Marokko	212 5 3766 3636
Jean Heybroek b.v.	Niederlande	31 30 639 4611	Victus Emak	Polen	48 61 823 8369

Europäischer Datenschutzhinweis

Die von Toro gespeicherten Informationen

Toro Warranty Company (Toro) respektiert Ihre Privatsphäre. Zum Bearbeiten Ihres Garantieanspruchs und zur Kontaktaufnahme bei einem Produktrückruf bittet Toro Sie, Toro direkt oder über den lokalen Vertragshändler bestimmte persönliche Informationen mitzuteilen.

Das Garantiesystem von Toro wird auf Servern in USA gehostet; dort gelten ggf. andere Vorschriften zum Datenschutz ggf. als in Ihrem Land.

Wenn Sie Toro persönliche Informationen mitteilen, stimmen Sie der Verarbeitung der persönlichen Informationen zu, wie in diesem Datenschutzhinweis beschrieben.

Verwendung der Informationen durch Toro

Toro kann Ihre persönlichen Informationen zum Bearbeiten von Garantieansprüchen, zur Kontaktaufnahme bei einem Produktrückruf oder anderen Zwecken, die Toro Ihnen mitteilt, verwenden. Toro kann die Informationen im Rahmen dieser Aktivitäten an Toro Tochtergesellschaften, Händler oder Geschäftspartner weitergeben. Toro verkauft Ihre persönlichen Informationen an keine anderen Unternehmen. Toro hat das Recht, persönliche Informationen mitzuteilen, um geltende Vorschriften und Anfragen von entsprechenden Behörden zu erfüllen, um die Systeme richtig zu pflegen oder Toro oder andere Benutzer zu schützen.

Speicherung persönlicher Informationen

Toro speichert persönliche Informationen so lange, wie es für den Zweck erforderlich ist, für den die Informationen gesammelt wurden, oder für andere legitime Zwecke (z. B. Einhaltung von Vorschriften) oder Gesetzesvorschriften.

Toros Engagement zur Sicherung Ihrer persönlichen Informationen

Toro trifft angemessene Sicherheitsmaßnahmen, um Ihre persönlichen Informationen zu schützen. Toro unternimmt auch Schritte, um die Genauigkeit und den aktuellen Status der persönlichen Informationen zu erhalten.

Zugriff auf persönliche Informationen und Richtigkeit persönlicher Informationen

Wenn Sie die Richtigkeit Ihrer persönlichen Informationen prüfen möchten, senden Sie bitte eine E-Mail an legal@toro.com.

Australisches Verbrauchergesetz

Kunden in Australien finden weitere Details zum australischen Verbrauchergesetz entweder in der Verpackung oder können sich an den örtlichen Toro Fachhändler wenden.



Bedingungen und abgedeckte Produkte

The Toro Company und die Tochtergesellschaft, die Toro Warranty Company, gewährleisten dem Erstkäufer im Rahmen eines gegenseitigen Abkommens, die aufgeführten Toro Produkte zu reparieren, wenn sie Material- oder Herstellungsfehler aufweisen.

Die folgenden Garantiezeiträume gelten ab dem Datum, an dem der Ersteigentümer die Geräte gekauft hat:

Produkte	Garantiezeitraum
Handgeführte Rasenmäher	
53-cm-Mäher – Privatgebrauch ¹	2 Jahre
53-cm-Mäher – gewerblicher Gebrauch	1 Jahr
76-cm-Mäher – gewerblicher Gebrauch ¹	2 Jahre
76-cm-Mäher – gewerblicher Gebrauch	1 Jahr
Mid-Size Antriebsrasenmäher	2 Jahre
• Motor	2 Jahre ²
Grand Stand® Rasenmäher	5 Jahre oder 1,200 Stunden ³
• Motor	2 Jahre
• Rahmen	Lebenslang (nur Erstkäufer) ⁴
Mäher der Serie Z Master® 2000	4 Jahre oder 500 Stunden ³
• Motor	2 Jahre ²
• Rahmen	Lebenslang (nur Erstkäufer) ⁴
Mäher der Serie Z Master® 3000	5 Jahre oder 1,200 Stunden ³
• Motor	2 Jahre ²
• Rahmen	Lebenslang (nur Erstkäufer) ⁴
Mäher der Serie Z Master® 5000 und 6000	5 Jahre oder 1,200 Stunden ³
• Motor	2 Jahre ²
• Rahmen	Lebenslang (nur Erstkäufer) ⁴
Mäher der Serie Z Master® 7000	5 Jahre oder 1,200 Stunden ³
• Motor	2 Jahre ²
• Rahmen	Lebenslang (nur Erstkäufer) ⁴
Alle Rasenmäher	
• Batterie	2 Jahre
• Zubehör	2 Jahre

¹Normaler Privatgebrauch bedeutet die Verwendung des Produktes auf demselben Grundstück wie das Eigenheim. Der Einsatz an mehreren Standorten wird als gewerblicher Gebrauch eingestuft, und in diesen Situationen würde die gewerbliche Garantie gelten.

²Einige Motoren, die in Toro LCE-Produkten eingesetzt werden, haben eine Garantie vom Motorhersteller.

³Je nach dem, was zuerst eintritt.

⁴Lebenslange Rahmengarantie: Wenn der Hauptrahmen, der aus den geschweißten Teilen besteht, die die Traktorstruktur ergeben, an der andere Bestandteile, u. a. der Motor, befestigt sind, bei normalen Gebrauch Risse zeigt oder bricht, wird er im Rahmen der Garantie kostenfrei (keine Material- und Lohnkosten) repariert oder ausgewechselt. Ein Rahmenversagen aufgrund von Missbrauch oder nicht ausgeführten Reparaturen, die aufgrund von Rost oder Korrosion erforderlich sind, ist nicht abgedeckt.

Diese Garantie deckt die Lohn- und Materialkosten ab, Sie müssen die Transportkosten übernehmen.

Anweisungen für die Inanspruchnahme von Wartungsarbeiten unter Garantie

Halten Sie dieses Verfahren ein, wenn Sie der Meinung sind, dass Ihre Produkte von Toro Material- oder Herstellungsfehler aufweisen.

1. Wenden Sie sich an die Verkaufsstelle, um einen Kundendienst für das Produkt zu vereinbaren. Wenn Sie den Verkäufer nicht kontaktieren können, können Sie sich auch an jeden offiziellen Vertragshändler von Toro wenden.
2. Bringen Sie das Produkt zum Händler und legen Sie ihm einen Kaufnachweis (Rechnung) vor.
3. Wenn Sie mit der Analyse oder dem Support des Vertragshändlers nicht zufrieden sind, wenden Sie sich an Toro unter:

RLC Customer Care Department

Toro Warranty Company
8111 Lyndale Avenue South
Bloomington, MN 55420-1196
001-952-948-4707

Siehe beiliegende Liste der Vertragshändler.

Verantwortung des Besitzers

Sie müssen das Produkt von Toro gemäß der in der *Bedienungsanleitung* aufgeführten Wartungsarbeiten pflegen. Für solche Routinewartungsarbeiten, die von Ihnen oder einem Händler durchgeführt werden, kommen Sie auf.

Nicht von der Garantie abgedeckte Punkte und Bedingungen

Es bestehen keine weiteren ausdrücklichen Garantien, außer Sondergarantien für Emissionsanlagen und Motoren bei einigen Produkten. Diese ausdrückliche Garantie schließt Folgendes aus:

- Kosten für regelmäßige Wartungsarbeiten oder Teile, wie z. B. Filter, Kraftstoff, Schmiermittel, Ölwechsel, Zündkerzen, Luftfilter, Schärfen der Messer bzw. abgenutzte Messer, Kabel- und Gestänge-Einstellungen oder Einstellen der Bremsen oder der Kupplung.
- Komponentenausfall aufgrund von normaler Abnutzung
- Jedes Produkt oder Teil, das modifiziert oder missbraucht wurde oder vernachlässigt wurde und aufgrund eines Unfalls oder fehlender Wartung ersetzt oder repariert werden muss
- Gebühren für Abholung und Zustellung
- Reparaturen oder versuchte Reparaturen, die nicht vom offiziellen Toro Vertragshändler ausgeführt wurden
- Reparaturen, die aufgrund eines Nichtbeachtens der folgenden Schritte für das Betanken entstehen (weitere Informationen finden Sie in der *Bedienungsanleitung*)
 - Das Entfernen von Verunreinigungen aus der Kraftstoffanlage ist nicht abgedeckt
 - Verwenden von altem Kraftstoff (älter als einen Monat) oder von Kraftstoff, der mehr als 10 % Ethanol oder mehr als 15 % MTBE enthält
 - Kein Entleeren der Kraftstoffanlage vor der Einlagerung oder Nichtverwendung von mehr als einem Monat

Allgemeine Bedingungen

Für den Käufer gelten die gesetzlichen Vorschriften jedes Landes. Die Rechte, die dem Käufer aus diesen gesetzlichen Vorschriften zustehen, werden nicht von dieser Garantie eingeschränkt.

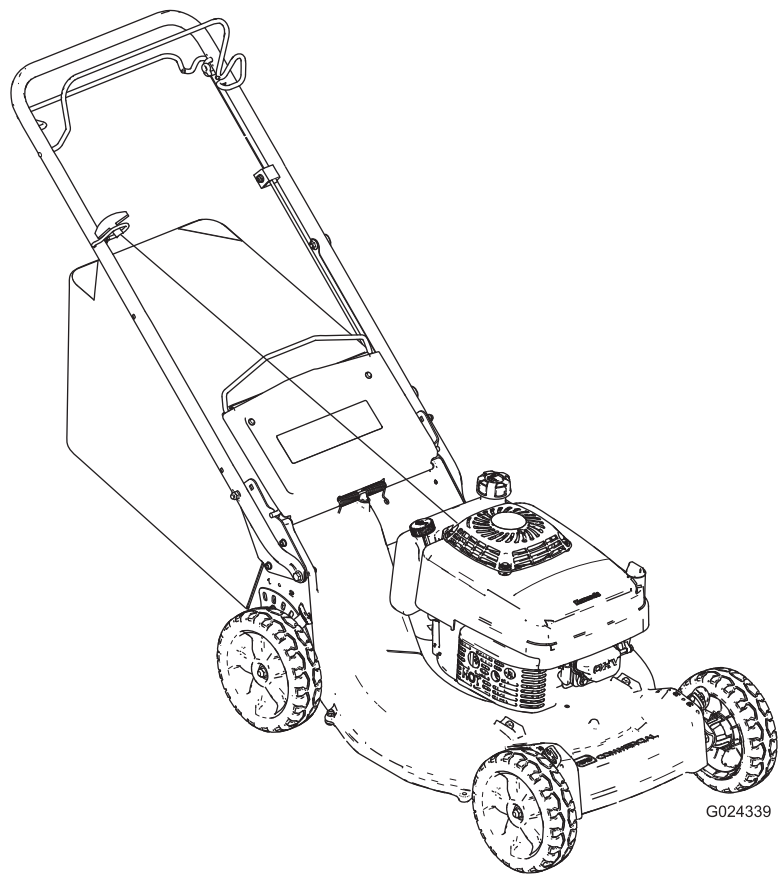


Count on it.

Manual del operador

Cortacésped de servicio pesado Recycler® de 53 cm con reciclado/ensacado trasero

Nº de modelo 22291—Nº de serie 316000001 y superiores



Este producto cumple todas las directivas europeas aplicables. Para más detalles, consulte la Declaración de conformidad (DOC) de cada producto.



Figura 2

1. Símbolo de alerta de seguridad

Introducción

Este cortacésped dirigido de cuchilla rotativa está diseñado para ser usado por usuarios domésticos o por operadores profesionales contratados. Está diseñado principalmente para segar césped bien mantenido en zonas verdes residenciales o comerciales. No está diseñado para cortar maleza o para aplicaciones agrícolas.

Lea esta información detenidamente para aprender a utilizar y mantener correctamente su máquina, y para evitar lesiones personales y daños en el producto. Usted es el responsable de utilizar la máquina de forma correcta y segura.

Usted puede ponerse en contacto directamente con Toro en www.Toro.com si desea información sobre productos y accesorios, o si necesita localizar un distribuidor o registrar su producto.

Cuando necesite asistencia técnica, piezas genuinas Toro o información adicional, póngase en contacto con el Servicio Técnico Autorizado o con Asistencia al Cliente Toro, y tenga a mano los números de modelo y serie de su máquina. [Figura 1](#) identifica la ubicación en el producto de los números de modelo y de serie. Escriba los números en el espacio provisto.

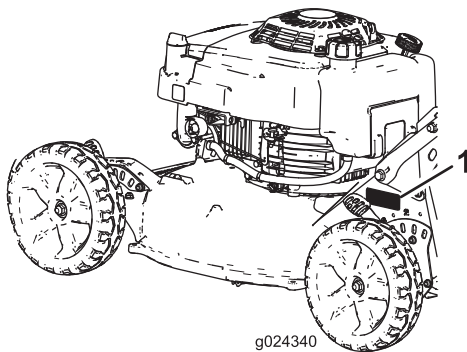


Figura 1

1. Placa con los números de modelo y de serie

Nº de modelo _____
Nº de serie _____

Este manual identifica peligros potenciales y contiene mensajes de seguridad identificados por el símbolo de alerta de seguridad ([Figura 2](#)), que señala un peligro que puede causar lesiones graves o la muerte si usted no sigue las precauciones recomendadas.

Este manual utiliza 2 palabras para resaltar información. **Importante** llama la atención sobre información mecánica especial, y **Nota** resalta información general que merece una atención especial.

Par Neto

El par bruto o neto de este motor fue calculada por el fabricante del motor con arreglo a lo estipulado en el documento J1940 de la Society of Automotive Engineers (Sociedad de Ingenieros del Automóvil - SAE). Debido a que el motor está configurado para cumplir los requisitos de seguridad, emisiones y operación, su potencia real en este tipo de cortacésped será significativamente menor.

Contenido

Seguridad	3
Seguridad en general para cortacéspedes	3
Presión sonora	5
Potencia sonora	5
Vibración mano/brazo.....	5
Pegatinas de seguridad e instrucciones	6
Montaje	8
1 Instalación del manillar	8
2 Instalación de la cuerda de arranque	10
3 Llenado del cárter de aceite.....	10
4 Ajuste de la transmisión autopropulsada	10
5 Ensamblaje de la bolsa de recogida.....	11
El producto	12
Especificaciones	12
Operación	12
Verificación del nivel de aceite del motor	12
Llenado del depósito de combustible.....	13
Ajuste de la altura de corte	14
Cómo arrancar el motor	14
Cómo parar el motor	14
Uso de la transmisión autopropulsada.....	15
Reciclado de los recortes.....	15
Ensacado de los recortes	15
Consejos de operación	16
Mantenimiento	18
Calendario recomendado de mantenimiento	18
Mantenimiento del motor	19
Mantenimiento del limpiador de aire	19
Cómo cambiar el aceite del motor	20
Mantenimiento de la bujía.....	20
Mantenimiento del sistema de transmisión	21
Ajuste de la transmisión autopropulsada	21
Mantenimiento de la cuchilla.....	22
Mantenimiento de la cuchilla.....	22
Limpieza	24
Limpieza de los bajos de la máquina	24
Limpieza de las ruedas.....	25
Almacenamiento	25
Preparación del sistema de combustible	25
Preparación del motor.....	25
Información general	26
Después del almacenamiento	26
Solución de problemas	27

Seguridad

Esta máquina ha sido diseñada con arreglo a lo estipulado en la norma EN ISO 5395:2013.

El uso o mantenimiento incorrecto de esta máquina puede causar lesiones. Para reducir la posibilidad de lesión, cumpla estas instrucciones de seguridad.

Para asegurar la máxima seguridad, el mejor rendimiento, y para adquirir conocimientos sobre el producto, es imprescindible que usted y cualquier otra persona que utilice el cortacésped lea y comprenda el contenido de este manual antes de poner en marcha el motor. Preste atención especial al símbolo de alerta de seguridad (Figura 2), que significa Cuidado, Advertencia o Peligro. Lea y comprenda la instrucción porque tiene que ver con su seguridad. El incumplimiento de estas instrucciones puede dar lugar a lesiones personales.

Seguridad en general para cortacéspedes

Esta máquina de corte es capaz de amputar manos y pies y de lanzar objetos al aire. El no observar las siguientes instrucciones de seguridad puede dar lugar a lesiones corporales e incluso la muerte.

Formación

- Lea cuidadosamente las instrucciones. Familiarícese con los controles y con el uso correcto del equipo.
- No permita nunca que niños o personas no familiarizadas con estas instrucciones utilicen la máquina. Es posible que existan normativas locales que restringen la edad del operador.
- Tenga en cuenta que el operador o el usuario es responsable de cualquier accidente o peligro que afecte a otras personas o a su propiedad.
- Comprenda las explicaciones asociadas con todos los pictogramas utilizados en la máquina o en las instrucciones.

Gasolina

ADVERTENCIA – la gasolina es altamente inflamable. Tome las siguientes precauciones.

- Utilice recipientes especialmente diseñados para su almacenamiento.
- Rellene el depósito al aire libre únicamente, y no fume mientras rellena el depósito.
- Añada el combustible antes de arrancar el motor. No retire nunca el tapón del depósito de combustible ni añada gasolina si el motor está en funcionamiento o si el motor está caliente.
- Si se derrama gasolina, no intente arrancar el motor; retire la máquina de la zona del derrame y evite crear fuentes

de ignición hasta que los vapores de la gasolina se hayan disipado.

- Vuelva a colocar firmemente todos los tapones de los depósitos y de los recipientes.

Preparación

- Mientras siega, lleve siempre calzado fuerte antideslizante y pantalón largo. No haga funcionar el equipo estando descalzo, o llevando sandalias.
- Inspeccione cuidadosamente la zona en la que va a utilizar el equipo, y retire cualquier piedra, palo, alambre, hueso u otro objeto extraño.
- Antes de usar la máquina, haga siempre una inspección visual para comprobar que los protectores y dispositivos de seguridad, como por ejemplo deflectores y/o recogedores, están colocados y que funcionan correctamente.
- Antes de usar la máquina, realice siempre una inspección visual para asegurarse de que las cuchillas, los pernos de las cuchillas y el conjunto de corte no están desgastados o dañados. Sustituya cuchillas o pernos gastados o dañados en conjuntos completos para no desequilibrar la máquina.

Arranque

- No incline la máquina al arrancar el motor, a menos que sea necesario inclinar la máquina para arrancarla. En este caso, no lo incline más de lo absolutamente necesario y levante únicamente la parte que está más lejos del operador.
- Arranque el motor con cuidado siguiendo las instrucciones y con los pies bien alejados de la(s) cuchilla(s) y no delante del conducto de descarga.

Operación

- No siegue nunca si hay otras personas, especialmente niños, o animales cerca.
- Corte el césped solamente con luz natural o con una buena iluminación artificial.
- Manténgase alerta por si existen baches en el terreno u otros peligros ocultos.
- No coloque nunca las manos o los pies debajo de piezas que están girando. Manténgase alejado del conducto de descarga en todo momento.
- No levante ni transporte el cortacésped mientras el motor esté en marcha.
- Extreme las precauciones al ir en marcha atrás o tirar hacia usted de un cortacésped manual.
- Camine, nunca corra.
- Pendientes:
 - No siegue pendientes y cuestas extremadamente empinadas.
 - Extreme las precauciones en cuestas o pendientes.

- Siegue las pendientes de través, nunca hacia arriba y hacia abajo, y extreme las precauciones al cambiar de dirección en las pendientes.

- Asegúrese de pisar firmemente en cuestas y pendientes.

- Reduzca la velocidad en las pendientes para evitar vuelcos o pérdida de control.
- Pare la cuchilla si es necesario inclinar la máquina para su transporte al cruzar superficies que no sean de hierba y al transportar la máquina a o desde la zona a segar.
- No haga funcionar el motor en recintos cerrados, donde se pueden acumular el monóxido de carbono y otros gases de escape peligrosos.
- Pare el motor
 - siempre que deje desatendida la máquina.
 - antes de repostar combustible.
 - antes de retirar el recogedor.
 - antes de realizar ajustes de altura, a menos que dichos ajustes puedan realizarse desde la posición del operador.
- Pare el motor y desconecte el cable de la bujía
 - antes de limpiar atascos o despejar el conducto.
 - antes de inspeccionar, limpiar o trabajar en la máquina.
 - después de golpear un objeto extraño, inspeccione la máquina y repare cualquier daño antes de volver a arrancar y utilizar la máquina.
 - si la máquina comienza a vibrar de manera anormal (comprobar inmediatamente).
- Los rayos pueden causar graves lesiones o incluso la muerte. Si se ven relámpagos o rayos o se oyen truenos en la zona, no utilice la máquina; busque un lugar donde resguardarse.
- Tenga cuidado con el tráfico cuando cruce o esté en las proximidades de una carretera.

Mantenimiento y almacenamiento

- Mantenga apretados todos los tornillos, pernos y tuercas para asegurar que la máquina esté en perfectas condiciones de funcionamiento.
- No utilice equipos de lavado a presión para lavar la máquina.
- No almacene nunca la máquina con gasolina en el depósito dentro de un edificio donde los vapores puedan llegar a una llama desnuda o una chispa.
- Espere a que se enfríe el motor antes de guardar el cortacésped en un recinto cerrado.
- Para reducir el peligro de incendio, mantenga el motor, el silenciador, el compartimiento de la batería y la zona de almacenamiento de gasolina libres de hierba, hojas o acumulaciones excesivas de grasa.

- Compruebe frecuentemente los componentes del recogedor y el protector de descarga y sustitúyalos por piezas recomendadas por el fabricante cuando sea necesario.
- Para su seguridad, sustituya las piezas desgastadas o dañadas.
- Sustituya los silenciadores defectuosos.
- Si es necesario drenar el depósito de combustible, debe hacerse al aire libre.
- No cambie los ajustes del regulador del motor ni haga funcionar el motor a una velocidad excesiva. El funcionamiento del motor a una velocidad excesiva puede aumentar el riesgo de lesiones personales.
- Tenga cuidado cuando haga ajustes en la máquina para evitar que los dedos queden atrapados entre las cuchillas en movimiento y las piezas fijas de la máquina.
- **Para asegurar el máximo rendimiento y seguridad, compre únicamente piezas y accesorios genuinos de Toro. No utilice piezas y accesorios genéricos; pueden constituir un peligro para la seguridad.**

Transporte

- Tenga cuidado al cargar o descargar la máquina en/desde un remolque o un camión.
- Utilice rampas de ancho completo para cargar la máquina en un remolque o un camión.
- Amarre la máquina firmemente con correas, cadenas, cables o cuerdas. Tanto las correas delanteras como las traseras deben orientarse hacia abajo y hacia fuera respecto a la máquina.

Presión sonora

Esta unidad tiene un nivel de presión sonora en el oído del operador de 88 dBA, que incluye un valor de incertidumbre (K) de 1 dBA.

El nivel de presión sonora se determinó mediante los procedimientos descritos en EN ISO 5395:2013.

Potencia sonora

Esta unidad tiene un nivel de potencia sonora garantizado de 98 dBA, que incluye un valor de incertidumbre (K) de 1 dBA.

El nivel de potencia sonora se determinó mediante los procedimientos descritos en ISO 11094.

⚠ CUIDADO

La exposición a largo plazo al ruido durante el uso de la máquina puede causar cierta pérdida de audición.

Lleve protección auditiva adecuada si utiliza la máquina durante períodos largos de tiempo.

Vibración mano/brazo

Nivel medido de vibración en la mano izquierda = 2,3 m/s²

Nivel medido de vibración en la mano derecha = 2,7 m/s²

Valor de incertidumbre (K) = 1,4 m/s²

Los valores medidos se determinaron mediante los procedimientos descritos en EN ISO 5395:2013.

⚠ CUIDADO

La exposición a largo plazo a las vibraciones durante el uso de la máquina puede causar cierta pérdida de sensibilidad en las manos y las muñecas.

Lleve guantes que amortigüen la vibración si utiliza la máquina durante períodos largos de tiempo.

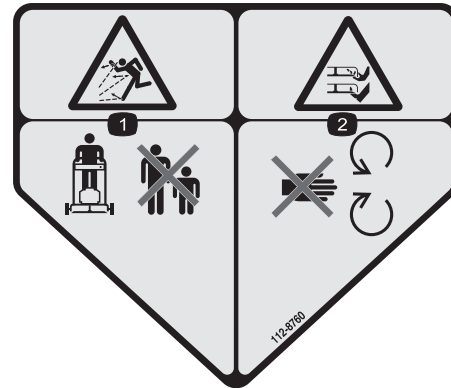
Pegatinas de seguridad e instrucciones

Importante: Hay pegatinas de seguridad e instrucciones colocadas cerca de zonas de potencial peligro. Sustituya cualquier pegatina dañada.



Marca del fabricante

1. Indica que la cuchilla ha sido identificada como pieza del fabricante original de la máquina.



112-8760

1. Peligro de objetos arrojados – mantenga a otras personas a una distancia prudencial de la máquina.
2. Peligro de corte/desmembramiento de mano o pie – no se acerque a las piezas en movimiento.



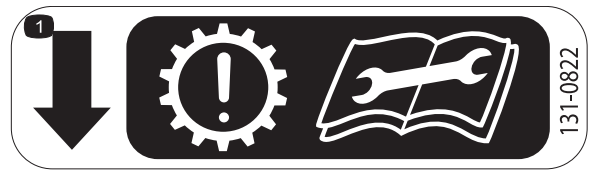
116-7583

1. Advertencia – Lea el *Manual del operador*. No utilice esta máquina si no ha recibido una formación adecuada.
2. Peligro de objetos arrojados – mantenga a otras personas a una distancia prudencial de la máquina.
3. Peligro de objetos arrojados – no utilice el cortacésped sin que esté colocado el tapón de descarga trasera o la bolsa.
4. Peligro de corte/desmembramiento de mano o pie por la cuchilla del cortacésped – no se acerque a las piezas en movimiento; mantenga colocados todos los protectores.
5. Advertencia – lleve protección auditiva.
6. Peligro de corte/desmembramiento de mano o pie, cuchilla del cortacésped – no siegue las pendientes hacia arriba/abajo; siegue las pendientes de través; pare el motor antes de abandonar el puesto del operador – recoja cualquier objeto que podría ser lanzado al aire por las cuchillas, y mire hacia atrás mientras conduce en marcha atrás.



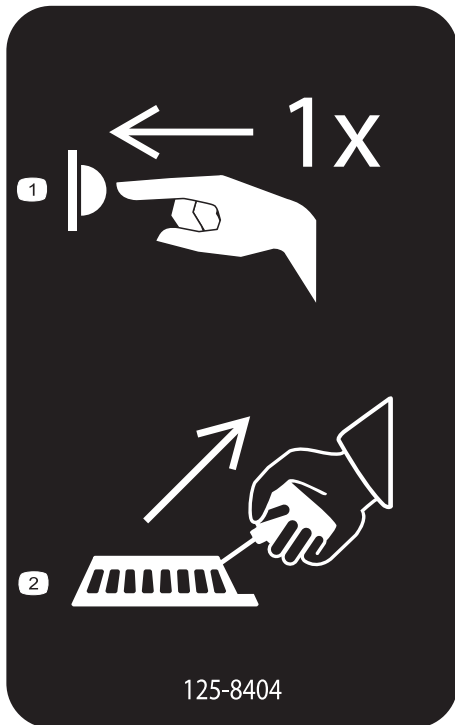
125-8403

1. Pulse el cebador una vez.
2. Tire del arrancador de retroceso.



131-0822

1. Transmisión autopropulsada—Atención; puede producirse un desgaste prematuro de la transmisión si se aprieta demasiado la correa; antes de realizar cualquier tarea de mantenimiento, lea el *Manual del operador*.



125-8404

1. Pulse el cebador una vez.
2. Tire del arrancador de retroceso.

Montaje

Piezas sueltas

Utilice la tabla siguiente para verificar que no falta ninguna pieza.

Procedimiento	Descripción	Cant.	Uso
1	Manillar	1	Instale el manillar.
	Perno de cabeza hexagonal con arandela prensada (5/16 x 1-1/2")	2	
	Perno de cuello cuadrado (5/16 x 1-1/2")	2	
	Tuerca con arandela prensada (5/16")	4	
2	No se necesitan piezas	–	Instale la cuerda de arranque.
3	No se necesitan piezas	–	Llene el cárter de aceite.
4	No se necesitan piezas	–	Ajuste la transmisión autopropulsada.
5	No se necesitan piezas	–	Ensamble la bolsa de recogida.

Nota: Los lados derecho e izquierdo de la máquina se determinan desde la posición normal del operador.

1

Instalación del manillar

Piezas necesarias en este paso:

1	Manillar
2	Perno de cabeza hexagonal con arandela prensada (5/16 x 1-1/2")
2	Perno de cuello cuadrado (5/16 x 1-1/2")
4	Tuerca con arandela prensada (5/16")

Procedimiento

1. Retire los 2 pernos de cuello cuadrado y las 2 arandelas que sujetan el protector de cable al manillar, y retire el protector del cable del manillar (Figura 3).

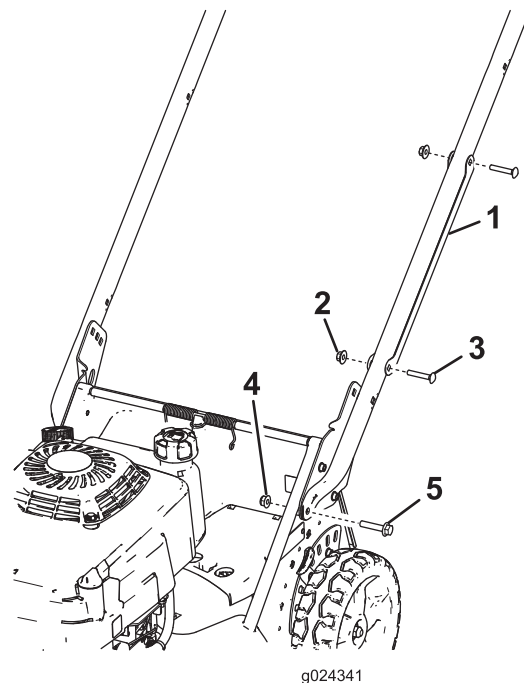


Figura 3

- | | |
|--|--|
| 1. Protector del cable | 4. Tuerca con arandela prensada – 5/16" (2) |
| 2. Contratuercas (2) | 5. Perno de cabeza hexagonal con arandela prensada – 5/16 x 1-1/2" (2) |
| 3. Perno de cuello cuadrado – 1/4 x 1-1/2" (2) | |

Nota: Guarde el protector, los pernos de cuello cuadrado y las contratuercas para poder instalarlo en el manillar más adelante en este procedimiento.

2. Instale los extremos del manillar en la carcasa de corte con 2 pernos de cabeza hexagonal con arandela prensada (5/16 x 1-1/2") y 2 tuercas con arandela prensada (5/16"), según se muestra en [Figura 3](#).
3. Ajuste la máquina a la altura de corte deseada; consulte [Ajuste de la altura de corte](#) (página 14).
4. Enrute los cables de control entre la carcasa y el manillar para proteger los cables contra daños ([Figura 4](#)).

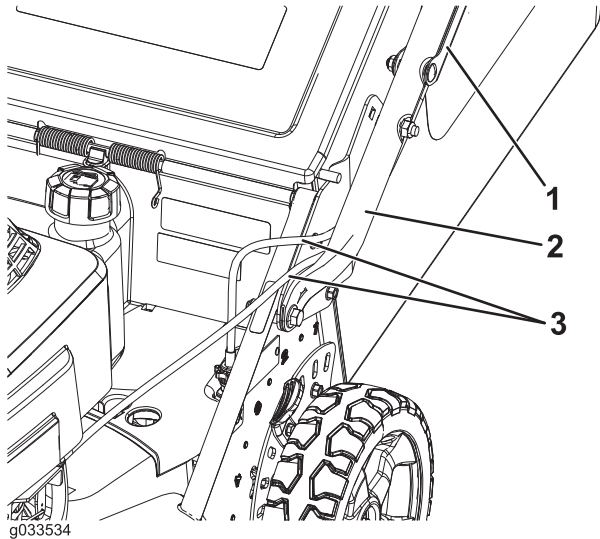


Figura 4

- | | |
|------------------------|-------------|
| 1. Protector del cable | 3. Cable(s) |
| 2. Manillar | |

5. Sitúese detrás de la máquina en la posición normal del operador para determinar la altura del manillar que le sea más cómoda ([Figura 5](#)).

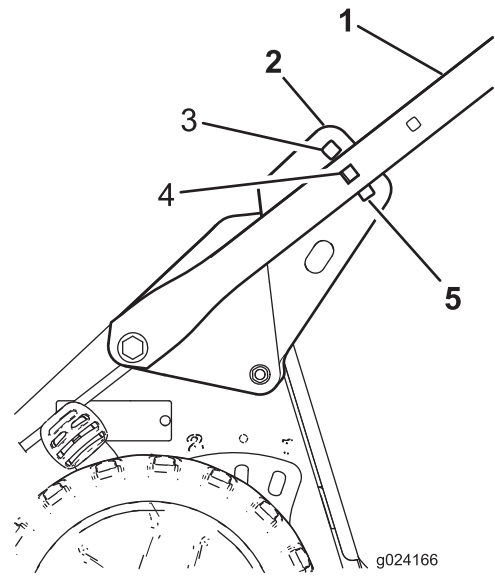


Figura 5

- | | |
|-------------------------------|-------------------------------|
| 1. Manillar | 4. Altura media del manillar |
| 2. Soporte del manillar (2) | 5. Altura mínima del manillar |
| 3. Altura máxima del manillar | |

6. Sujete el manillar a los soportes del manillar en la posición de altura deseada con 2 pernos de cuello cuadrado (5/16 x 1-1/2") y 2 tuercas con arandela prensada (5/16"), según se muestra en [Figura 6](#).

Importante: Asegúrese de que las cabezas de los pernos están en el interior del manillar, y que las tuercas están en el exterior del manillar.

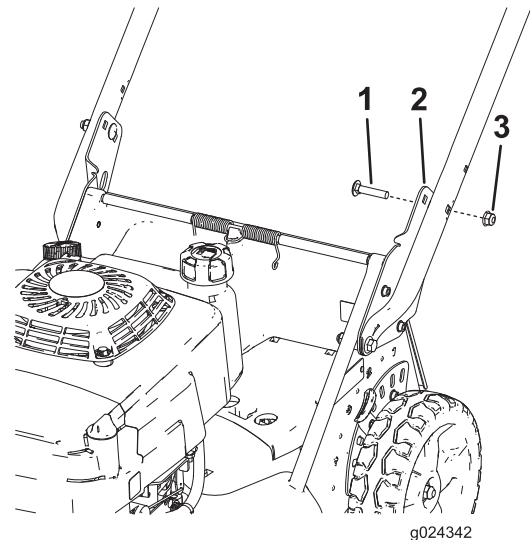


Figura 6

- | | |
|---|---|
| 1. Perno de cuello cuadrado – 5/16 x 1-1/2" (2) | 3. Tuerca con arandela prensada – 5/16" (2) |
| 2. Soporte del manillar (2) | |

7. Posicione el protector de cable en el manillar **con el/los cable(s) dentro del protector**, y sujete el protector al manillar con los 2 pernos de cuello cuadrado y las 2 contratuercas que retiró anteriormente ([Figura 3](#)).

Importante: Asegúrese de no aprisionar los cables contra el manillar al instalar los protectores de cable en el manillar.

2

Instalación de la cuerda de arranque

No se necesitan piezas

Procedimiento

Pase la cuerda de arranque a través de la guía del manillar (Figura 7).

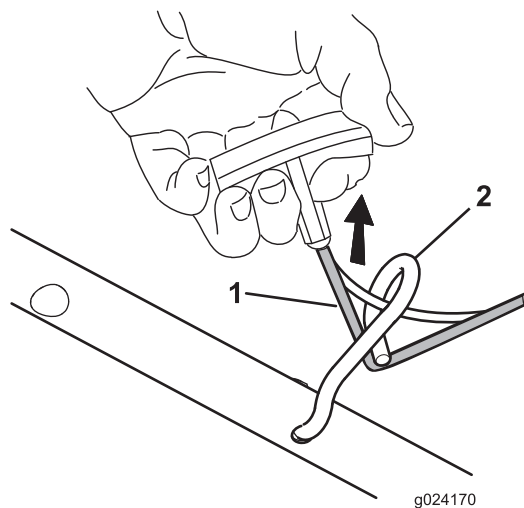


Figura 7

1. Cuerda de arranque
2. Guía de la cuerda

Nota: Para facilitar la instalación de la cuerda, apriete la barra de control de la cuchilla contra el manillar.

3

Llenado del cárter de aceite

No se necesitan piezas

Procedimiento

La máquina se entrega sin aceite en el cárter del motor. Antes de arrancar el motor, llene el cárter de aceite. El cárter del motor (con filtro de aceite) tiene capacidad para 0,65 litros de aceite. Utilice solamente aceite detergente SAE 10W-30 de alta calidad que tenga la clasificación de

servicio SH, SJ o equivalente del American Petroleum Institute (API).

Antes de cada uso, compruebe que el nivel de aceite está entre las marcas Add (Añadir) y Full (Lleno) de la varilla (Figura 8).

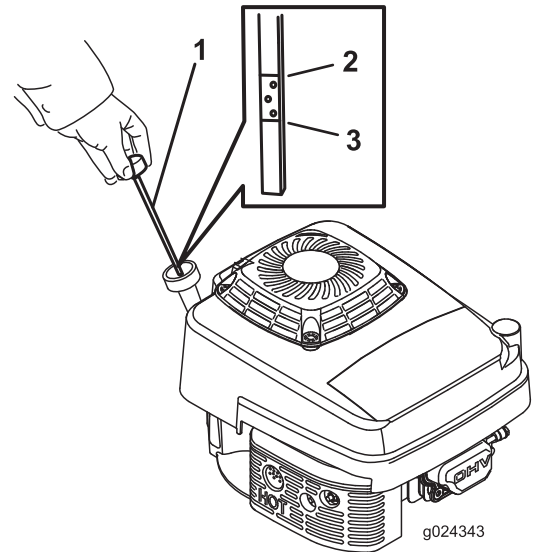


Figura 8

1. Varilla
2. Marca Full (Lleno)
3. Marca Add (Añadir)

Nota: Si el cárter está vacío, vierta aproximadamente tres cuartas partes de la capacidad total de aceite en el cárter, luego siga el procedimiento de esta sección.

1. Coloque la máquina en una superficie nivelada.
2. Limpie alrededor de la varilla (Figura 8).
3. Retire la varilla girando el tapón en el sentido contrario a las agujas del reloj y tirando del mismo.
4. Limpie la varilla con un paño limpio.
5. Introduzca la varilla en el cuello de llenado, luego retírela.
6. Observe en la varilla el nivel de aceite.
 - Si el nivel de aceite está por debajo de la marca Add (Añadir) de la varilla, vierta una pequeña cantidad de aceite lentamente en el tubo de llenado, espere 3 minutos, y repita los pasos 4 a 6 hasta que el nivel llegue a la marca Full (Lleno) de la varilla.
 - Si el nivel de aceite está por encima de la marca Lleno de la varilla, drene el exceso de aceite hasta que el aceite llegue a la marca Full (Lleno) de la varilla. Consulte [Cómo cambiar el aceite del motor](#) (página 20).

Importante: Si el nivel de aceite del motor es demasiado bajo o demasiado alto y usted arranca el motor, puede dañar el motor.

7. Inserte la varilla en el cuello de llenado y enrosque el tapón en el sentido de las agujas del reloj hasta que quede apretado.

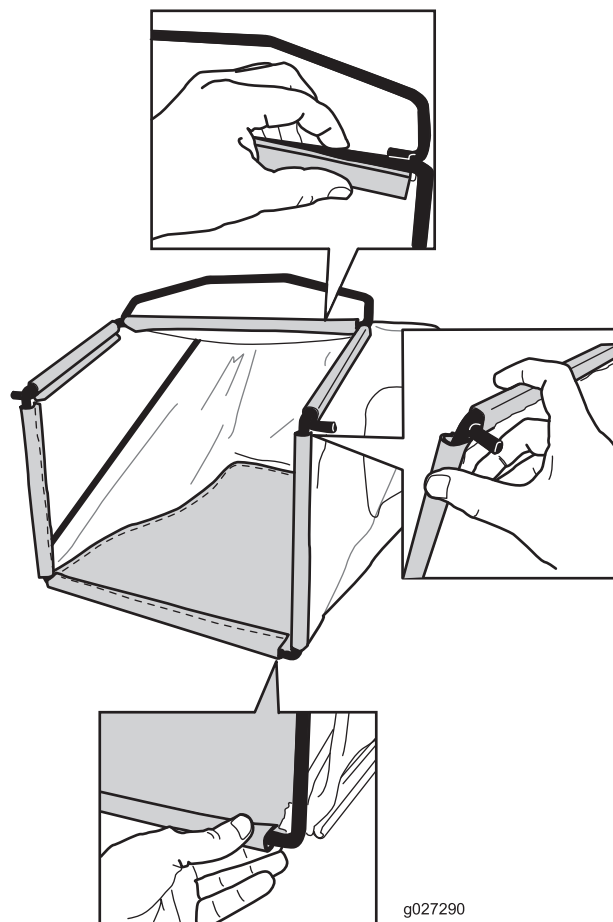
4

Ajuste de la transmisión autopropulsada

No se necesitan piezas

Procedimiento

Importante: Es necesario ajustar el cable del sistema de autopropulsión antes de usar la máquina por primera vez. Consulte [Ajuste de la transmisión autopropulsada](#) (página 21).



g027290

Figura 10

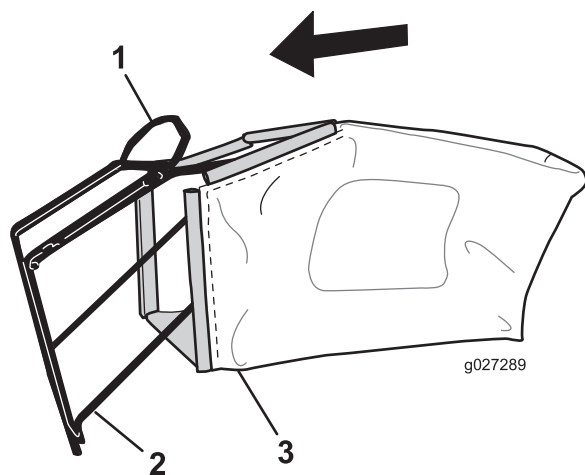
5

Ensamblaje de la bolsa de recogida

No se necesitan piezas

Procedimiento

1. Coloque la bolsa de recogida sobre el bastidor, según se muestra en [Figura 9](#).



g027289

Figura 9

1. Manillar
2. Bastidor
3. Bolsa de recogida

3. Enganche los canales superiores y laterales de la bolsa en la parte superior y en los laterales del bastidor, respectivamente ([Figura 10](#)).

Nota: No coloque la bolsa sobre el manillar ([Figura 9](#)).

2. Enganche el canal inferior de la bolsa en la parte inferior del bastidor ([Figura 10](#)).

El producto

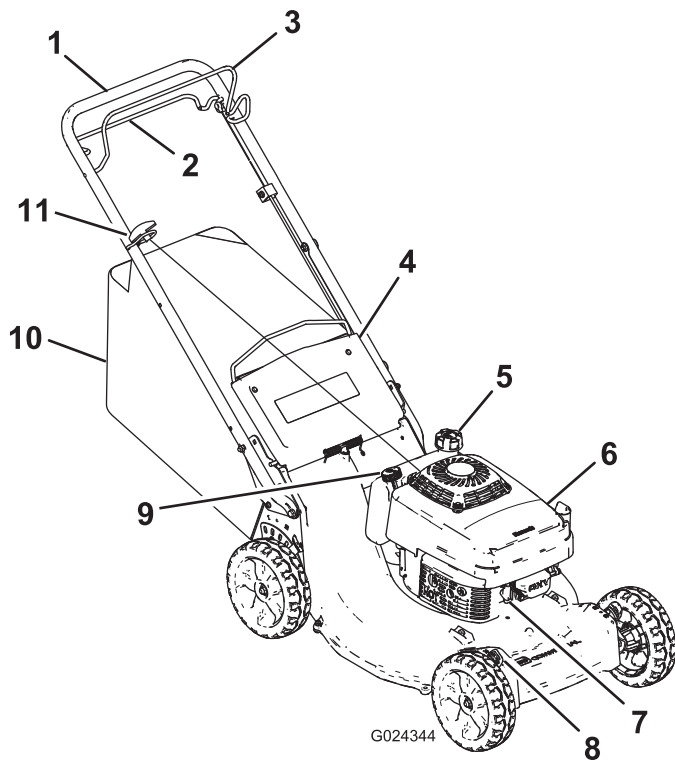


Figura 11

- | | |
|--------------------------------------|---------------------------------------|
| 1. Manillar | 7. Bujía |
| 2. Barra de autopropulsión | 8. Palanca de altura de corte (4) |
| 3. Barra de control de la cuchilla | 9. Varilla/tapón de llenado de aceite |
| 4. Tapa trasera | 10. Bolsa de recogida |
| 5. Tapón del depósito de combustible | 11. Arrancador |
| 6. Limpiador de aire | |

Especificaciones

Peso	56 kg
Longitud	161 cm
Anchura	55 cm
Altura	88 cm

Operación

Nota: Los lados derecho e izquierdo de la máquina se determinan desde la posición normal del operador.

Cada vez que vaya a segar, asegúrese de que la transmisión autopropulsada y la barra de control de la cuchilla funcionan correctamente. Cuando suelte la barra de control de la cuchilla, la cuchilla y la transmisión autopropulsada deben detenerse. Si no, póngase en contacto con el Servicio Técnico Autorizado.

⚠ CUIDADO

Esta máquina produce niveles sonoros que superan los 85 dBA en el oído del operador, y pueden causar pérdidas auditivas con periodos extendidos de exposición.

Lleve protección auditiva mientras opera esta máquina.



Figura 12

1. Advertencia – lleve protección auditiva.

Verificación del nivel de aceite del motor

Intervalo de mantenimiento: Cada vez que se utilice o diariamente—Compruebe el nivel de aceite del motor.

Antes de usar la máquina, compruebe que el nivel de aceite está entre las marcas Add (Añadir) y Full (Lleno) de la varilla (Figura 13).

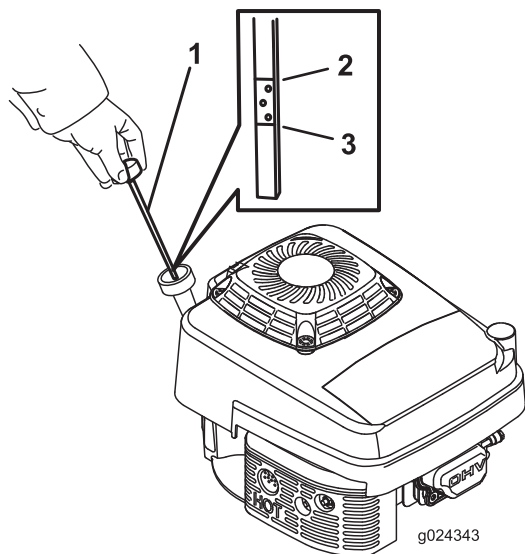


Figura 13

- | | |
|-----------------------|-----------------------|
| 1. Varilla | 3. Marca Add (Añadir) |
| 2. Marca Full (Lleno) | |

Si el nivel de aceite está por debajo de la marca Add (Añadir), añada aceite. Consulte [3 Llenado del cárter de aceite \(página 10\)](#).

Llenado del depósito de combustible

⚠ PELIGRO

La gasolina es altamente inflamable y explosiva. Un incendio o una explosión provocado(a) por la gasolina puede causarle quemaduras a usted y a otras personas.

- Para evitar que una carga estática incendie la gasolina, coloque el recipiente y/o la máquina directamente sobre el suelo antes de repostar, no en un vehículo o sobre otro objeto.
- Llene el depósito en el exterior cuando el motor esté frío. Limpie cualquier derrame.
- No maneje gasolina si está fumando, ni cerca de una llama desnuda o chispas.
- Almacene la gasolina en un recipiente homologado y manténgala fuera del alcance de los niños.
- Para obtener los mejores resultados, utilice solamente gasolina fresca (comprada hace menos de 30 días), sin plomo, de 87 o más octanos (método de cálculo $(R+M)/2$).
- Son aceptables los combustibles oxigenados con hasta el 10% de etanol o el 15% de MTBE por volumen.

- **Etanol:** Es aceptable el uso de gasolina con hasta el 10% de etanol (gasohol) o el 15% de MTBE (éter metil tert-butílico) por volumen. El etanol y el MTBE no son lo mismo. No está autorizado el uso de gasolina con el 15% de etanol (E15) por volumen. **No utilice nunca gasolina que contenga más del 10% de etanol por volumen**, como por ejemplo la E15 (contiene el 15% de etanol), la E20 (contiene el 20% de etanol) o la E85 (contiene hasta el 85% de etanol). El uso de gasolina no autorizada puede causar problemas de rendimiento o daños en el motor que pueden no estar cubiertos bajo la garantía.
- **No** utilice gasolina que contenga metanol.
- **No** guarde combustible en el depósito de combustible o en recipientes de combustible durante el invierno a menos que haya añadido un estabilizador.
- **No** añada aceite a la gasolina.

Importante: Para reducir los problemas de arranque, añada estabilizador de combustible al combustible durante toda la temporada, mezclándolo con gasolina comprado hace menos de 30 días.

Nota: La capacidad del depósito de combustible es de 1,8 litros.

Ajuste de la altura de corte

Puede cambiar el ajuste de altura de corte en cada rueda ajustando una palanca de altura de corte. Las alturas de corte son de 25 mm, 38 mm, 51 mm, 64 mm, 76 mm, 89 mm, 102 mm y 114 mm.

⚠ PELIGRO

Al ajustar las palancas de ajuste de la altura de corte, sus manos podrían tocar una cuchilla en movimiento, lo que podría causarle graves lesiones.

- Pare el motor y espere a que se detengan todas las piezas en movimiento antes de ajustar la altura de corte.
- No ponga los dedos debajo de la carcasa al ajustar la altura de corte.

1. Tire de la palanca de altura de corte hacia la rueda (Figura 14) y muévala a la posición deseada.

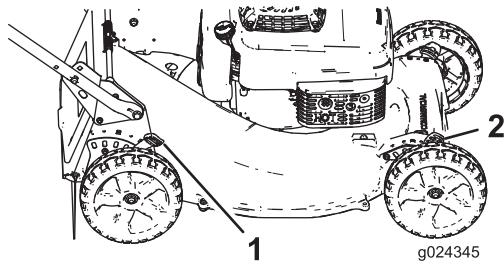


Figura 14

1. Palanca de altura de corte trasera (2)
2. Palanca de altura de corte delantera (2)

2. Suelte la palanca de ajuste de la altura de corte y engánchela firmemente en la muesca.
3. Ajuste todas las ruedas a la misma altura de corte.

Cómo arrancar el motor

1. Conecte el cable de la bujía a la bujía.
2. Apriete el cebador firmemente (Figura 15), manteniendo presionada la perilla durante un segundo.

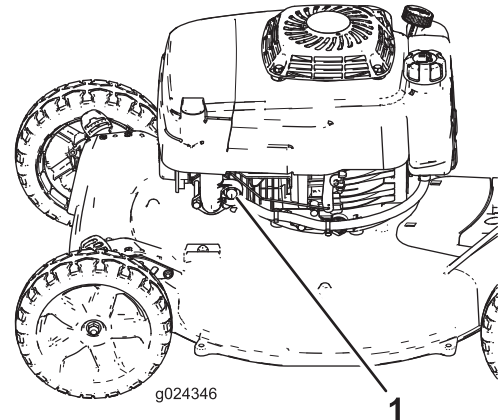


Figura 15

1. Cebador

3. Sujete la barra de control de la cuchilla contra el manillar superior (Figura 16).

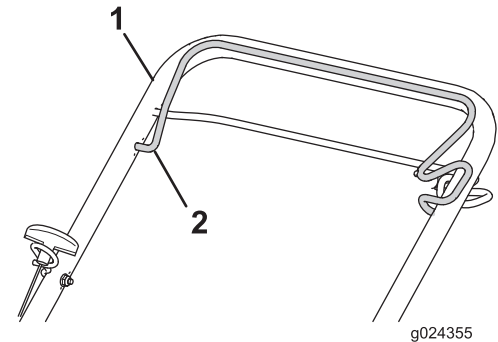


Figura 16

1. Manillar superior
2. Barra de control de la cuchilla

4. Tire suavemente del arrancador hasta que note resistencia, luego tire con fuerza y deje que vuelva lentamente a la guía de cuerda del manillar.

Nota: Si el motor no arranca, repita los pasos 2 a 4.

Cómo parar el motor

Suelte la barra de control de la cuchilla. Deben pararse tanto el motor como la cuchilla en 3 segundos o menos. Si no, póngase en contacto con el Servicio Técnico Autorizado.

Uso de la transmisión autopropulsada

- **Para activar la autopropulsión:** Apriete la barra de autopropulsión contra el manillar y manténgala allí (Figura 17).

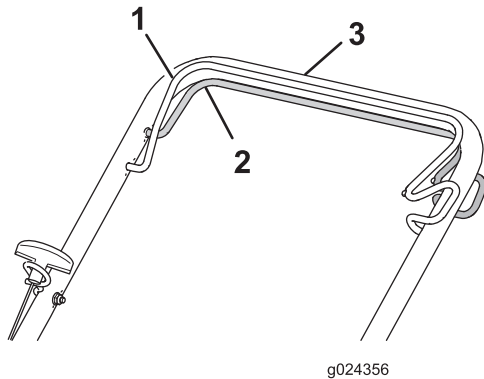


Figura 17

1. Barra de control de la cuchilla (engranada)
2. Barra de autopropulsión
3. Manillar superior

Nota: La velocidad máxima de la transmisión autopropulsada es fija. Para reducir la velocidad, aumente el espacio entre la barra de autopropulsión y el manillar.

- **Para desengranar la transmisión autopropulsada:** Suelte la barra de autopropulsión.

Nota: La máquina está equipada con embragues de rueda libre que facilitan el tirar hacia atrás de la máquina. Para desengranar los embragues, puede ser necesario empujar la máquina hacia adelante unos 2–3 cm o más después de soltar la barra de autopropulsión.

Reciclado de los recortes

Esta máquina viene preparada de fábrica para reciclar los recortes de hierba y hojas y devolverlos al césped. Para preparar la máquina para el reciclado:

- Si la bolsa de recogida está instalada en la máquina, retírela; consulte [Cómo retirar la bolsa de recogida](#) (página 16).
- Si el tapón de descarga trasera no está instalado, sujételo por el manillar, eleve la puerta trasera e introdúzcalo en el conducto de descarga trasera hasta que el enganche encaje en su sitio (Figura 18).

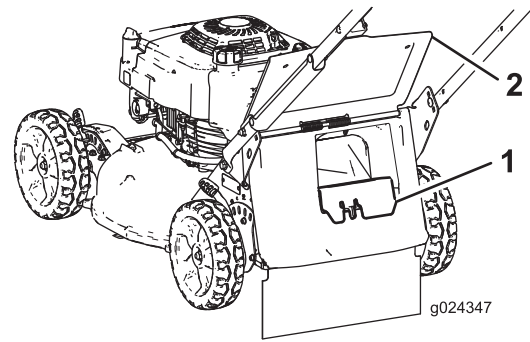


Figura 18

1. Tapón de descarga trasera
2. Tapa trasera

⚠ ADVERTENCIA

Si se utiliza la máquina para reciclar los recortes de hierba sin tener colocado el tapón, pueden salir despedidos objetos hacia usted o hacia otras personas. También podría producirse un contacto con las cuchillas. Los objetos lanzados o cualquier contacto con la cuchilla pueden causar lesiones graves o la muerte.

Asegúrese de que el tapón de descarga trasera está colocado antes de reciclar los recortes. No engrane nunca las cuchillas sin tener instalado en la máquina el tapón de descarga trasera o la bolsa de recogida.

Ensamblado de los recortes

Utilice la bolsa de recortes si usted desea recoger los recortes de hierba y hojas del césped.

⚠ ADVERTENCIA

Si la bolsa de recogida está desgastada, pueden arrojarse pequeñas piedras y otros residuos similares hacia usted o hacia otras personas, provocando lesiones personales graves o la muerte.

Compruebe frecuentemente la bolsa de recortes. Si está dañada, instale una bolsa de recambio Toro nueva.

⚠ ADVERTENCIA

Las cuchillas están muy afiladas; cualquier contacto con las cuchillas puede causar lesiones personales graves.

Pare el motor y espere a que se detengan todas las piezas en movimiento antes de abandonar el puesto del operador.

Instalación de la bolsa de recortes

1. Pare el motor y espere a que se detengan todas las piezas en movimiento.
2. Levante y sujete la puerta trasera (Figura 19).

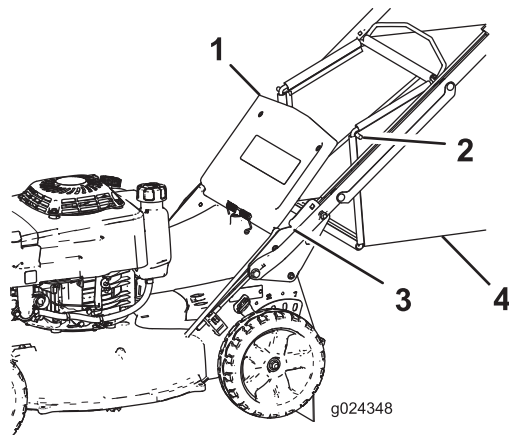


Figura 19

- | | |
|--------------------------------------|----------------------|
| 1. Puerta trasera | 3. Muesca (2) |
| 2. Extremo de la varilla de la bolsa | 4. Bolsa de recogida |

3. Retire el tapón de descarga trasera presionando el enganche hacia dentro con el dedo pulgar y extrayendo el tapón de la máquina (Figura 18).
4. Inserte los extremos de la varilla de la bolsa en las muescas de la base del manillar, y mueva la bolsa hacia adelante y hacia atrás para verificar que los extremos de la varilla están asentados en el fondo de cada muesca (Figura 19).
5. Baje la puerta trasera hasta que descance sobre la bolsa de recogida.

Cómo retirar la bolsa de recogida

⚠ PELIGRO

La máquina puede arrojar recortes de hierba y otros objetos por cualquier hueco que haya en la carcasa de la máquina. Los objetos arrojados con suficiente fuerza podrían causar lesiones personales graves o la muerte a usted o a otras personas.

- No arranque nunca el motor después de retirar la bolsa de recogida, sin tener el tapón de descarga instalado en la máquina.
- No abra nunca la puerta trasera de la máquina con el motor en marcha.

1. Pare el motor y espere a que se detengan todas las piezas en movimiento.
2. Eleve la puerta trasera.
3. Retire la varilla de la bolsa de recogida de las muescas de la base del manillar (Figura 19).

4. Introduzca el tapón de descarga trasero; consulte [Reciclado de los recortes](#) (página 15).
5. Baje la puerta trasera.

Consejos de operación

Consejos generales

- Revise las instrucciones de seguridad y lea detenidamente este manual antes de utilizar la máquina.
- Despeje la zona de palos, piedras, alambres, ramas y otros residuos que podrían ser golpeados y arrojados por la cuchilla.
- Mantenga a todo el mundo, especialmente a niños y animales, alejados de las zonas de trabajo.
- Evite golpear árboles, muros, bordillos u otros objetos sólidos. No siegue nunca por encima de objeto alguno.
- Si la máquina golpea un objeto o empieza a vibrar, pare inmediatamente el motor, desconecte el cable de la bujía e inspeccione la máquina en busca de daños.
- Mantenga la **cuchilla afilada** durante toda la temporada de siega. De vez en cuando, lime cualquier imperfección de la cuchilla.
- Sustituya la cuchilla cuando sea preciso con una cuchilla de repuesto Toro original.
- Siegue solamente hierba u hojas secas. La hierba mojada y las hojas mojadas tienden a pegarse al suelo, y pueden atascar la máquina o hacer que se cale el motor.

⚠ ADVERTENCIA

La hierba mojada o las hojas mojadas pueden causarle graves lesiones si usted resbala y toca la cuchilla.

Siegue solamente en condiciones secas.

- Limpie debajo de la máquina después de cada uso; consulte [Limpieza de los bajos de la máquina](#) (página 24).
- Mantenga el motor en buenas condiciones de funcionamiento.
- Limpie el filtro de aire con frecuencia. El picado de la hierba hace que se formen nubes de recortes y polvo, que atascan el filtro de aire y reducen el rendimiento del motor.
- Ajuste la velocidad del motor a la posición más rápida para conseguir resultados óptimos de corte.

⚠ ADVERTENCIA

Si se hace funcionar el motor de la máquina a una velocidad mayor que el ajuste de fábrica, la máquina puede arrojar parte de la cuchilla o del motor hacia usted o hacia otras personas, causando lesiones personales graves o la muerte.

- No cambie el ajuste de velocidad del motor.
- Si usted sospecha que la velocidad del motor es superior a la normal, póngase en contacto con un Servicio Técnico Autorizado.

Cómo cortar la hierba

- La hierba crece a velocidades distintas según la estación del año. En el calor del verano, es mejor cortar la hierba usando los ajustes de altura de corte de 64 mm, 76 mm o 89 mm. Corte solamente un tercio de la hoja de hierba cada vez. No corte con un ajuste inferior a 64 mm a menos que la hierba sea escasa, o a finales del otoño cuando el ritmo de crecimiento de la hierba empieza a decaer.
- Cuando corte hierba de más de 15 cm de alto, siegue primero usando la altura de corte más alta y camine despacio, luego siegue de nuevo a una altura menor para obtener el mejor aspecto del césped. Si la hierba es demasiado alta y las hojas se amontonan en el césped, pueden atascar la máquina y hacer que se cale el motor.
- Alterne la dirección de corte. Esto ayuda a dispersar los recortes en todo el césped, dando una fertilización más homogénea.

Si el aspecto final del césped no es satisfactorio, pruebe con una o más de las técnicas siguientes:

- Aflar la cuchilla.
- Caminar más despacio mientras siega.
- Elevar la altura de corte de la máquina.
- Cortar el césped con más frecuencia.
- Solapar los pasillos de corte en lugar de cortar un pasillo completo en cada pasada.

Cómo cortar hojas

- Después de segar el césped, asegúrese de que la mitad del césped se ve a través de la cobertura de hojas cortadas. Es posible que tenga que hacer más de una pasada por encima de las hojas.
- Para una cobertura de hojas escasa, ajuste todas las ruedas a la misma altura de corte.
- Siegue más despacio si la máquina no corta las hojas suficientemente finas.

Mantenimiento

Nota: Los lados derecho e izquierdo de la máquina se determinan desde la posición normal del operador.

Calendario recomendado de mantenimiento

Intervalo de mantenimiento y servicio	Procedimiento de mantenimiento
Después de las primeras 8 horas	<ul style="list-style-type: none"> • Cambie el aceite del motor.
Después de las primeras 25 horas	<ul style="list-style-type: none"> • Apriete todas las fijaciones.
Cada vez que se utilice o diariamente	<ul style="list-style-type: none"> • Compruebe el nivel de aceite del motor. • Inspeccione periódicamente las cuchillas del cortacésped para asegurarse de que no están desgastadas ni dañadas. • Inspeccione el acelerador en busca de señales de desgaste o daños. • Elimine los recortes de hierba y la suciedad de debajo de la máquina. • Compruebe el tiempo que tarda el freno en parar la cuchilla. La cuchilla debe pararse en 3 segundos después de soltar la barra de control de la cuchilla; si no lo hace, póngase en contacto con un Servicio Técnico Autorizado para la reparación. • Compruebe que todas las fijaciones del motor están bien apretadas y que no falta ninguna. • Compruebe que no hay fugas de aceite o combustible. • Compruebe o limpie el arrancador de retroceso y la rejilla de la entrada de aire.
Cada 25 horas	<ul style="list-style-type: none"> • Limpie el prelimpiador de gomaespuma (con más frecuencia en condiciones de mucho polvo).
Cada 40 horas	<ul style="list-style-type: none"> • Limpie las ruedas y los engranajes.
Cada 50 horas	<ul style="list-style-type: none"> • Cambie el aceite del motor (más a menudo en condiciones de mucho polvo). • Afile o cambie la cuchilla. Revísela con más frecuencia si se desfila con rapidez en condiciones duras o de mucha arena.
Cada 100 horas	<ul style="list-style-type: none"> • Inspeccione y limpie la bujía y ajuste la distancia entre los electrodos; cambie la bujía si es necesario. • Apriete todas las fijaciones. • Compruebe o limpie el arrancador de retroceso y la rejilla de la entrada de aire.
Cada 200 horas	<ul style="list-style-type: none"> • Haga que un servicio autorizado de mantenimiento de motores compruebe que no hay fugas en el sistema de combustible y que los tubos de combustible no están deteriorados. Cambie las piezas si es necesario.
Cada 300 horas	<ul style="list-style-type: none"> • Cambie el filtro de aire de papel (con más frecuencia en condiciones de mucho polvo). • Limpie el cilindro y las aletas de la culata. • Haga que un servicio autorizado de mantenimiento de motores compruebe y ajuste la velocidad de ralentí del motor. • Haga que un servicio autorizado de mantenimiento de motores limpie la cámara de combustión. • Haga que un servicio autorizado de mantenimiento de motores compruebe y ajuste el juego de las válvulas. • Haga que un servicio autorizado de mantenimiento de motores realice una limpieza y un lapeado de la superficie de asiento de las válvulas.

Importante: Consulte los demás procedimientos de mantenimiento del manual del propietario del motor.

⚠ CUIDADO

Si usted deja el cable conectado a la bujía, alguien podría arrancar el motor accidentalmente y causar lesiones graves a usted o a otras personas.

Desconecte el cable de la bujía antes de efectuar cualquier mantenimiento. Aparte el cable para evitar su contacto accidental con la bujía.

Mantenimiento del motor

Mantenimiento del limpiador de aire

Intervalo de mantenimiento: Cada 25 horas—Limpie el prelimpiador de gomaespuma (con más frecuencia en condiciones de mucho polvo).

Cada 300 horas—Cambie el filtro de aire de papel (con más frecuencia en condiciones de mucho polvo).

Importante: No haga funcionar el motor sin tener colocado el conjunto de filtro de aire; si no se producirán graves daños en el motor.

1. Pare el motor y espere a que se detengan todas las piezas en movimiento.
2. Desconecte el cable de la bujía.
3. Afloje el tornillo de la tapa del limpiador de aire (Figura 20).

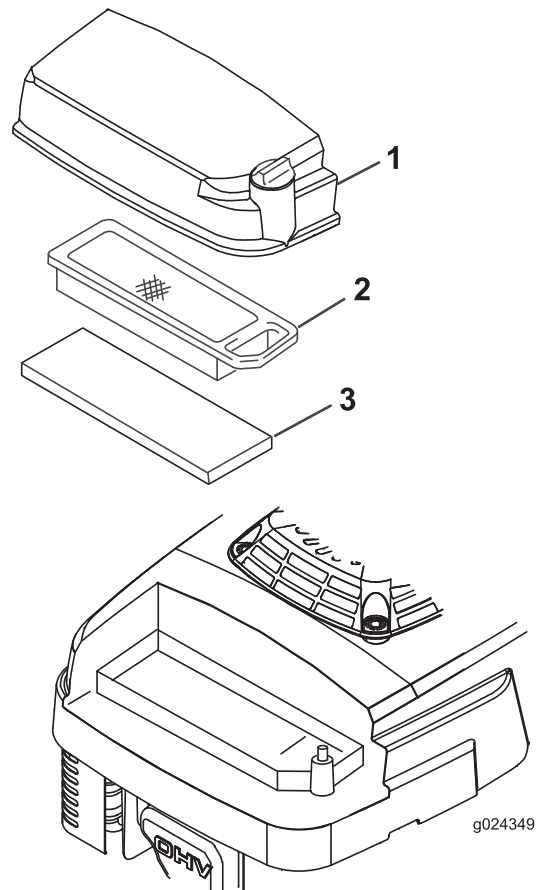


Figura 20

1. Tapa del limpiador de aire
2. Filtro de aire de papel
3. Pre-limpiador de gomaespuma

4. Retire la tapa y límpiela a fondo.
5. Retire e inspeccione el filtro de aire de papel (Figura 20), y cámbielo si está excesivamente sucio.

Importante: No intente limpiar el filtro de papel.

6. Retire el pre-limpiador de gomaespuma (Figura 20) y lávelo con un detergente suave y agua, luego séquelo apretando suavemente con un paño.
7. Instale el pre-limpiador de gomaespuma.
8. Instale el filtro de aire de papel.
9. Vuelva a colocar la tapa y fíjela con el tornillo.

Cómo cambiar el aceite del motor

Intervalo de mantenimiento: Después de las primeras 8 horas

Cada 50 horas

1. Haga funcionar el motor para calentar el aceite.

Nota: El aceite caliente fluye mejor y transporta más contaminantes.

⚠ ADVERTENCIA

El aceite puede estar muy caliente cuando el motor ha estado funcionando, y el contacto con aceite caliente puede causar lesiones personales graves.

Evite tocar el aceite caliente al drenarlo.

2. Pare el motor y espere a que se detengan todas las piezas en movimiento.
3. Desconecte el cable de la bujía.
4. Drene la gasolina del depósito de combustible.
5. Coloque un recipiente adecuado debajo de la varilla/orificio de vaciado de aceite.
6. Limpie alrededor de la varilla.
7. Retire la varilla girando el tapón en el sentido contrario a las agujas del reloj y tirando del mismo.
8. Vuelque la máquina sobre su lado **derecho** (con el filtro de aire hacia arriba) para drenar el aceite en el recipiente.
9. Después de drenar el aceite, ponga la máquina en su posición normal.
10. Llene el cárter con aceite nuevo hasta la marca Full (Lleno) de la varilla; consulte [3 Llenado del cárter de aceite \(página 10\)](#).
11. Inserte la varilla en el cuello de llenado y enrosque el tapón en el sentido de las agujas del reloj hasta que quede apretado.
12. Limpie cualquier aceite derramado.
13. Recicle el aceite usado según la normativa local.

Mantenimiento de la bujía

Intervalo de mantenimiento: Cada 100 horas—Inspeccione y limpie la bujía y ajuste la distancia entre los electrodos; cambie la bujía si es necesario.

Utilice una bujía **NGK BPR5ES** o equivalente.

1. Pare el motor y espere a que se detengan todas las piezas en movimiento.
2. Desconecte el cable de la bujía.
3. Limpie alrededor de la bujía.
4. Retire la bujía de la culata.

Importante: Si la bujía está agrietada o sucia, cámbiela. No limpie los electrodos, porque cualquier arenilla que entre en el cilindro puede dañar el motor.

5. Fije la distancia entre los electrodos en 0,76 mm (Figura 21).

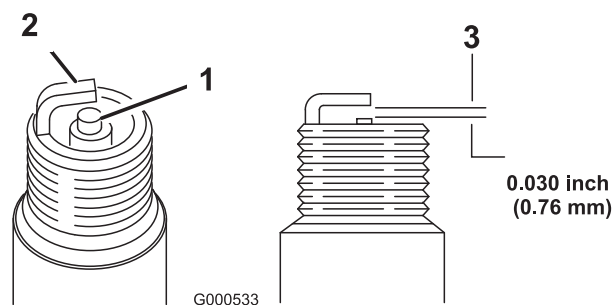


Figura 21

1. Aislante del electrodo central
 2. Electrodo lateral
 3. Hueco entre electrodos (no a escala)
-
6. Instale la bujía con cuidado a mano (para evitar dañar la rosca) hasta que esté apretada.
 7. Apriete la bujía a 23 N m.
- Importante:** Una bujía que no está correctamente apretada puede calentarse mucho y dañar el motor; si se aprieta demasiado una bujía, pueden dañarse las roscas de la culata.
8. Conecte el cable de la bujía.

Mantenimiento del sistema de transmisión

Ajuste de la transmisión autopropulsada

Nota: Si la máquina es nueva, si no avanza automáticamente o si tiene tendencia a avanzar lentamente, ajuste el cable de la transmisión.

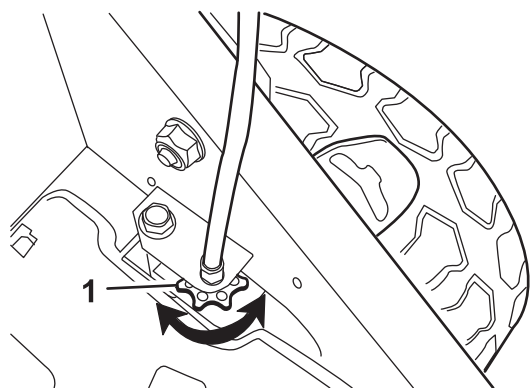
1. Lleve la máquina a una superficie pavimentada al aire libre, cerca de un muro sólido, para evitar que la máquina se mueva hacia adelante mientras el motor está en marcha.
2. Coloque la máquina con los neumáticos delanteros contra la pared.

Nota: Asegúrese de que la zona está bien ventilada y libre de residuos que pudieran ser arrojados por la máquina.

3. Arranque el motor; consulte [Cómo arrancar el motor \(página 14\)](#).
4. Tire de la barra de autopropulsión hasta el manillar.

Nota: Las ruedas deben empezar a girar justo cuando la barra de autopropulsión toque el manillar.

5. Pare el motor.
6. Si es necesario ajustar la máquina, siga uno de estos procedimientos:
 - Si las ruedas no giran al apretar la barra de autopropulsión, la correa de transmisión está demasiado floja. Gire el mando de control de la transmisión de las ruedas ([Figura 22](#)) una vuelta en el sentido de las agujas del reloj y repita los pasos [3](#) a [5](#).



g024465

Figura 22

1. Mando de control de la transmisión de las ruedas

- Si las ruedas giran antes de apretar del todo la barra de autopropulsión, la correa de transmisión está

demasiado apretada. Gire el mando de control de la transmisión de las ruedas ([Figura 22](#)) una vuelta en el sentido contrario a las agujas del reloj y repita los pasos [3](#) a [5](#).

7. Si la correa de tracción es nueva, gire el mando de control de la transmisión de las ruedas una vuelta más en el sentido de las agujas del reloj, porque la correa se estirará durante el periodo de rodaje.

Nota: Puede saltarse este paso si la correa está usada.

Mantenimiento de la cuchilla

Mantenimiento de la cuchilla

Siegue siempre con la cuchilla afilada. Una cuchilla afilada corta limpiamente sin desgarrar o picar las hojas de hierba.

1. Pare el motor y espere a que se detengan todas las piezas en movimiento.
2. Desconecte el cable de la bujía.
3. Drene la gasolina del depósito de combustible.
4. Vuelque la máquina hacia su lado **derecho** (limpiador de aire hacia arriba), según se muestra en [Figura 23](#).

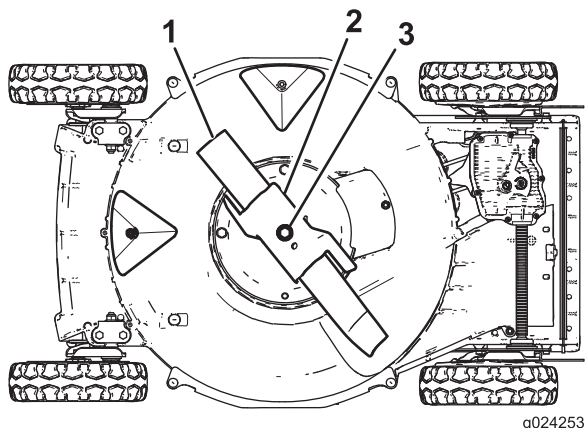


Figura 23

1. Cuchilla
2. Acelerador
3. Perno y arandela de freno de la cuchilla

Inspección de la cuchilla

Intervalo de mantenimiento: Cada vez que se utilice o diariamente—Inspeccione periódicamente las cuchillas del cortacésped para asegurarse de que no están desgastadas ni dañadas.

Examine cuidadosamente la cuchilla para asegurarse de que está afilada y para detectar cualquier desgaste, sobre todo en la reunión entre la parte plana y la parte curva de la cuchilla ([Figura 24A](#)). Puesto que la arena y cualquier material abrasivo pueden desgastar el metal que conecta las partes curva y plana de la cuchilla, compruebe la cuchilla antes de utilizar la máquina. Si observa una hendidura o desgaste ([Figura 24B](#) y [Figura 24C](#)), cambie la cuchilla; consulte [Mantenimiento de la cuchilla](#) (página 22).

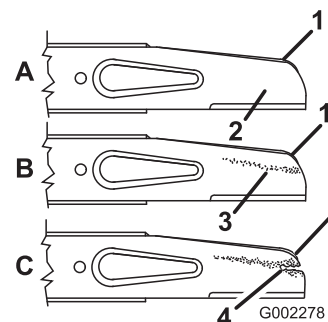


Figura 24

1. Vela
2. Parte plana de la cuchilla
3. Desgaste
4. Formación de una hendidura

Nota: Para obtener el mejor rendimiento, instale una cuchilla nueva antes de que empiece la temporada de siega. Durante el año, lime cualquier imperfección con el fin de mantener el filo de corte.

⚠ PELIGRO

Una cuchilla desgastada o dañada puede romperse, y un trozo de la cuchilla podría ser arrojado hacia usted o hacia otra persona, provocando lesiones personales graves o la muerte.

- Inspeccione periódicamente las cuchillas, para asegurarse de que no están desgastadas ni dañadas.
- Sustituya cualquier cuchilla desgastada o dañada.

Inspección del acelerador

Intervalo de mantenimiento: Cada vez que se utilice o diariamente—Inspeccione el acelerador en busca de señales de desgaste o daños.

Inspeccione cuidadosamente el acelerador en busca de señales de desgaste excesivo ([Figura 25](#)). Puesto que la arena y los materiales abrasivos pueden desgastar el metal (sobre todo en la zona 2 de la [Figura 25](#)), compruebe el acelerador antes de utilizar la máquina. Si observa que la pestaña del acelerador tiene el borde afilado debido al desgaste, o si hay una grieta, sustituya el acelerador; consulte [Inspección del acelerador](#) (página 22).

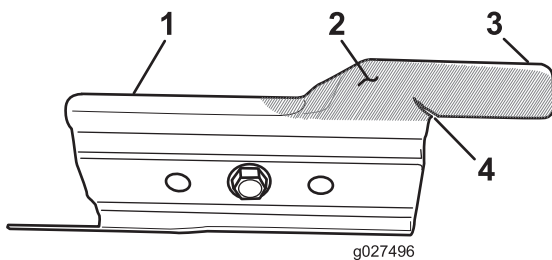


Figura 25

- | | |
|---------------------|------------|
| 1. Acelerador | 3. Pestaña |
| 2. Zona de desgaste | 4. Grieta |

⚠ ADVERTENCIA

Un acelerador desgastado o dañado puede romperse, y un trozo del acelerador podría ser arrojado hacia usted u otra persona, provocando lesiones personales graves o la muerte.

- Inspeccione el acelerador periódicamente en busca de desgaste o daños.
- Sustituya el acelerador si está desgastado o dañado.

Cómo retirar la cuchilla

1. Sujete el extremo de la cuchilla usando un paño o un guante grueso.
2. Retire el perno de la cuchilla, la arandela de freno, el acelerador y la cuchilla (Figura 24).

Cómo afilar la cuchilla

Intervalo de mantenimiento: Cada 50 horas—Afile o cambie la cuchilla. Revísela con más frecuencia si se desafilan con rapidez en condiciones duras o de mucha arena.

Lime el borde superior de la cuchilla para mantener el ángulo de corte original (Figura 26A) y el radio interior del filo de corte (Figura 26B). La cuchilla permanece equilibrada si se retira la misma cantidad de material de ambos filos de corte.

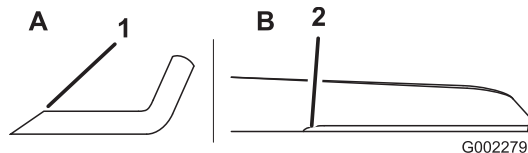


Figura 26

1. Afile la cuchilla con este ángulo solamente.
2. Mantenga el radio original aquí.

Equilibrado de la cuchilla

1. Compruebe el equilibrio de la cuchilla colocando el taladro central de la cuchilla sobre un clavo o el palo de un destornillador fijado horizontalmente en un torno de banco (Figura 27).

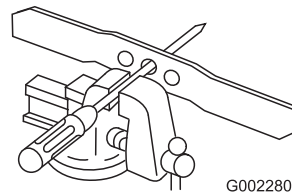


Figura 27

Nota: También puede comprobar el equilibrio usando un equilibrador de cuchillas de fabricación comercial.

2. Si algún extremo de la cuchilla gira hacia abajo, lime ese extremo (no el filo de corte ni el extremo cerca del filo de corte) hasta que ningún extremo de la cuchilla descienda.

Cómo instalar la cuchilla

1. Instale una cuchilla Toro afilada y equilibrada, el acelerador, la arandela de freno y el perno de la cuchilla. La vela de la cuchilla debe apuntar hacia la parte superior de la carcasa de corte.

Nota: Apriete el perno de la cuchilla a 68 N·m.

⚠ ADVERTENCIA

El uso de la máquina sin que esté colocado el acelerador, puede hacer que la cuchilla se flexione, se doble o se rompa, causando lesiones graves o la muerte a usted o a otras personas.

No utilice la máquina sin que esté colocado el acelerador.

2. Ponga la máquina en la posición normal de operación.

Limpieza

Limpieza de los bajos de la máquina

Para asegurar un rendimiento óptimo, mantenga limpia la parte inferior de la máquina. Tenga especial cuidado de mantener libres de residuos los deflectores (Figura 28).

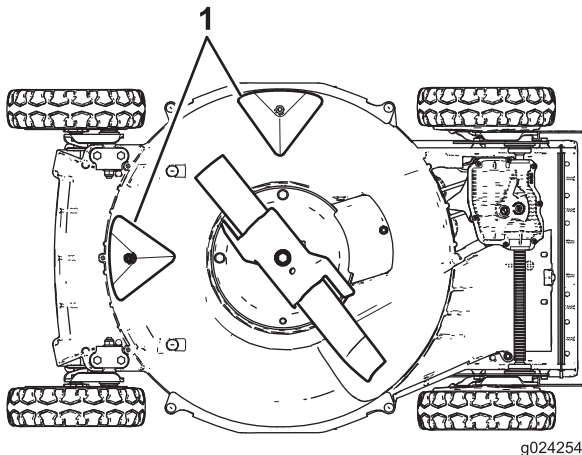


Figura 28

1. Deflectores

Método de lavado

Intervalo de mantenimiento: Cada vez que se utilice o diariamente

⚠ ADVERTENCIA

Puede soltarse material de debajo de la máquina.

- Lleve protección ocular.
 - Permanezca en el puesto del operador (detrás del manillar) mientras el motor esté en marcha.
 - No permita la presencia de otras personas en la zona.
1. Coloque la máquina sobre una superficie plana de hormigón o asfalto cerca de una manguera de jardín.
 2. Arranque el motor.
 3. Sujete la manguera a la altura del manillar y dirija el agua para que fluya sobre el suelo justo por delante de la rueda trasera derecha (Figura 29).

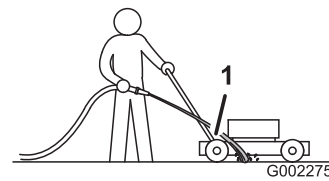


Figura 29

1. Rueda trasera derecha

Nota: La cuchilla aspirará agua y expulsará los recortes. Deje correr el agua hasta que no se vean recortes saliendo de debajo de la máquina.

4. Pare el motor y espere a que se detengan todas las piezas en movimiento.
5. Cierre el grifo.
6. Arranque la máquina y déjela funcionar durante unos minutos para secar la parte inferior de la máquina y sus componentes.

Método de rascado

Si el lavado no elimina todos los residuos de debajo de la máquina, rásquela hasta que esté limpia.

1. Desconecte el cable de la bujía.
2. Drene la gasolina del depósito de combustible.

⚠ ADVERTENCIA

Si inclina la máquina, la gasolina puede salir del carburador o del depósito de combustible. La gasolina es extremadamente inflamable, altamente explosiva y bajo ciertas condiciones, puede causar lesiones personales o daños materiales.

Evite los derrames dejando funcionar el motor hasta que no quede combustible, o retirando la gasolina con una bomba de mano; nunca utilice un sifón.

3. Vuelque la máquina hacia su lado **derecho** (limpiador de aire hacia arriba).
4. Retire la suciedad y los recortes de hierba con un rascador de madera dura. Evite tocar rebabas y bordes afilados.
5. Ponga la máquina en la posición normal de operación.
6. Conecte el cable de la bujía.

Limpieza de las ruedas

Intervalo de mantenimiento: Cada 40 horas

1. Retire las ruedas traseras y limpie cualquier suciedad de la zona de la rueda y de los engranajes.

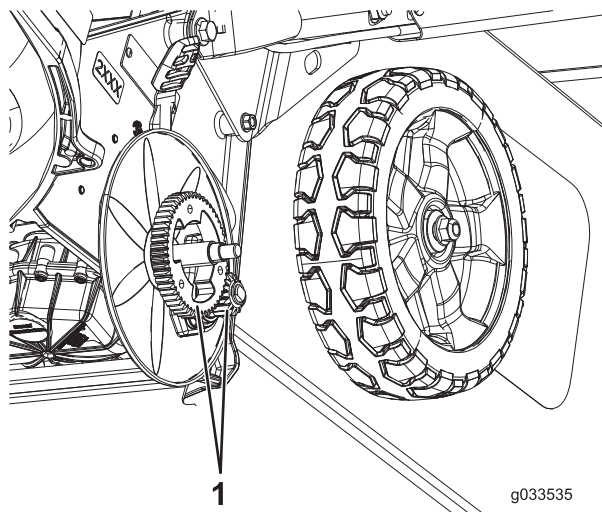


Figura 30

1. Engranajes

2. Después de la limpieza, aplique una pequeña cantidad de antigripante a los engranajes.

Nota: Si se utiliza la máquina en condiciones extremas, una limpieza más frecuente de las ruedas aumentará la vida útil de los engranajes.

Nota: Para evitar dañar las juntas de cojinete, no utilice un pulverizador de agua de alta presión sobre los cojinetes.

Almacenamiento

Para preparar la máquina para el almacenamiento cuando acabe la temporada de siega, siga los procedimientos de mantenimiento recomendados; consulte [Mantenimiento \(página 18\)](#).

Almacene la máquina en un lugar fresco, limpio y seco. Cubra la máquina para mantenerla limpia y protegida.

Preparación del sistema de combustible

⚠ ADVERTENCIA

La gasolina puede vaporizarse si la almacena por largos periodos de tiempo, y puede explotar si entra en contacto con una llama desnuda.

- No almacene gasolina por largos periodos de tiempo.
- No almacene la máquina con gasolina en el depósito de combustible o en el carburador en un lugar cerrado con llama desnuda. (Por ejemplo, la llama piloto de una caldera o de un calentador de agua).
- Espere a que se enfríe el motor antes de guardar el cortacésped en un recinto cerrado.

Vacíe la gasolina del depósito de combustible después de segar por última vez antes de almacenar la máquina.

1. Haga funcionar el motor hasta que se quede sin gasolina.
2. Accione el estérter y arránquelo el motor de nuevo.
3. Deje que funcione el motor hasta que se pare. Cuando ya no se puede arrancar el motor, está suficientemente seco.

Preparación del motor

1. Con el motor todavía caliente, cambie el aceite del cárter; consulte [Cómo cambiar el aceite del motor \(página 20\)](#).
2. Retire la bujía.
3. Usando una aceitera, añada unos 30 ml de aceite a través del orificio de la bujía.
4. Tire del arrancador de retroceso varias veces para hacer girar el motor, con el fin de distribuir el aceite por todo el cárter del motor.
5. Instale la bujía pero **no** conecte el cable a la bujía.

Información general

1. Limpie debajo de la máquina; consulte [Limpieza de los bajos de la máquina \(página 24\)](#).
2. Limpie la suciedad y la broza de la parte exterior del cilindro, las aletas de la culata y de la carcasa del soplador.
3. Elimine los recortes de hierba, la suciedad y la grasa de las piezas externas del motor, la cubierta y la parte superior de la carcasa de corte.
4. Compruebe la condición de la cuchilla; consulte [Inspección de la cuchilla \(página 22\)](#).
5. Revise el limpiador de aire; consulte [Mantenimiento del limpiador de aire \(página 19\)](#).
6. Apriete todos los pernos, tuercas y tornillos.
7. Retoque todas las superficies pintadas oxidadas o descascarilladas con pintura, que puede adquirir en el Servicio Técnico Autorizado.

Después del almacenamiento

1. Compruebe y apriete todos los cierres.
2. Retire la bujía y haga girar el motor rápidamente usando el arrancador para eliminar el exceso de aceite del cilindro.
3. Limpie la bujía o cámbiela si está agrietada, rota o si los electrodos están desgastados.
4. Instale la bujía; consulte [Mantenimiento de la bujía \(página 20\)](#).
5. Lleve a cabo cualquier procedimiento de mantenimiento necesario; consulte [Mantenimiento \(página 18\)](#).
6. Llene el depósito de combustible con gasolina fresca.
7. Compruebe el nivel de aceite del motor.
8. Conecte el cable de la bujía.

Solución de problemas

Problema	Posible causa	Acción correctora
El motor no arranca.	<ol style="list-style-type: none"> 1. El depósito de combustible está vacío o el sistema de combustible contiene combustible viejo. 2. La palanca del acelerador no está en la posición Estárter. 3. El cable no está conectado a la bujía. 4. La bujía está picada, sucia o la distancia entre los electrodos es incorrecta. 	<ol style="list-style-type: none"> 1. Drene y/o llene el depósito de combustible con gasolina fresca. Si el problema no se soluciona, póngase en contacto con el Servicio Técnico Autorizado. 2. Mueva la palanca del acelerador a la posición Estárter. 3. Conecte el cable de la bujía. 4. Inspeccione la bujía y ajuste la distancia si es necesario. Sustituya la bujía si está picada, sucia o agrietada.
El motor arranca con dificultad o pierde potencia.	<ol style="list-style-type: none"> 1. El depósito de combustible contiene combustible viejo. 2. El filtro del limpiador de aire está sucio y está obstruyendo el flujo de aire. 3. Los bajos de la carcasa del cortacésped contienen recortes y residuos. 4. La bujía está picada, sucia o la distancia entre los electrodos es incorrecta. 5. El nivel de aceite en el cárter está bajo o el aceite está sucio. 	<ol style="list-style-type: none"> 1. Drene y llene el depósito de combustible con gasolina fresca. 2. Limpie el prefiltro del filtro de aire y/o cambie el filtro de aire papel. 3. Limpie debajo de la carcasa. 4. Inspeccione la bujía y ajuste el hueco si es necesario. Sustituya la bujía si está picada, sucia o agrietada. 5. Compruebe el aceite del motor. Cambie el aceite si está sucio, y añada aceite si el nivel es bajo.
El motor no funciona regularmente.	<ol style="list-style-type: none"> 1. El cable no está conectado a la bujía. 2. La bujía está picada, sucia o la distancia entre los electrodos es incorrecta. 3. La palanca del acelerador no está en la posición Rápida. 4. El filtro del limpiador de aire está sucio y está obstruyendo el flujo de aire. 	<ol style="list-style-type: none"> 1. Conecte el cable de la bujía. 2. Inspeccione la bujía y ajuste el hueco si es necesario. Sustituya la bujía si está picada, sucia o agrietada. 3. Mueva la palanca del acelerador a la posición Rápida. 4. Limpie el prefiltro del filtro de aire y/o cambie el filtro de aire papel.
La máquina o el motor vibra excesivamente.	<ol style="list-style-type: none"> 1. La cuchilla está doblada o desequilibrada. 2. Las tuercas de montaje de la cuchilla están sueltas. 3. Los bajos del cortacésped contienen recortes y residuos. 4. Los pernos de montaje del motor están sueltos. 	<ol style="list-style-type: none"> 1. Equilibre la cuchilla. Si la cuchilla está doblada, cámbiela. 2. Apriete las tuercas de montaje de la cuchilla. 3. Limpie los bajos de la máquina. 4. Apriete los pernos de montaje del motor.
El patrón de corte no es uniforme.	<ol style="list-style-type: none"> 1. Las cuatro ruedas no están a la misma altura. 2. La cuchilla no está afilada. 3. Usted está segando repetidamente con el mismo patrón. 4. Los bajos del cortacésped contienen recortes y residuos. 	<ol style="list-style-type: none"> 1. Ajuste las cuatro ruedas a la misma altura. 2. Afile y equilibre la cuchilla. 3. Cambie el patrón de siega. 4. Limpie los bajos de la máquina.

Problema	Posible causa	Acción correctora
Se atasca el conducto de descarga.	<ol style="list-style-type: none"> 1. La palanca del acelerador no está en la posición Rápida. 2. La altura de corte es demasiado baja. 3. Usted está segando demasiado de prisa. 4. La hierba está húmeda. 5. Los bajos del cortacésped contienen recortes y residuos. 	<ol style="list-style-type: none"> 1. Mueva la palanca del acelerador a la posición Rápida. 2. Eleve la altura de corte. 3. Vaya más despacio. 4. Deje que la hierba se seque antes de segar. 5. Limpie los bajos de la máquina.
La máquina no avanza con el sistema de autopropulsión.	<ol style="list-style-type: none"> 1. El cable de la transmisión autopropulsada está mal ajustado o dañado. 2. Hay residuos debajo de la cubierta de la correa. 	<ol style="list-style-type: none"> 1. Ajuste el cable de la transmisión autopropulsada. Cambie el cable si es necesario. 2. Limpie los residuos de debajo de la cubierta de la correa.

Lista de Distribuidores Internacionales

Distribuidor:	País:	Teléfono:	Distribuidor:	País:	Teléfono:
Agrolanc Kft	Hungría	36 27 539 640	Maquiver S.A.	Colombia	57 1 236 4079
Balama Prima Engineering Equip.	Hong Kong	852 2155 2163	Maruyama Mfg. Co. Inc.	Japón	81 3 3252 2285
B-Ray Corporation	Corea	82 32 551 2076	Mountfield a.s.	República Checa	420 255 704 220
Casco Sales Company	Puerto Rico	787 788 8383	Mountfield a.s.	Eslovaquia	420 255 704 220
Ceres S.A.	Costa Rica	506 239 1138	Munditol S.A.	Argentina	54 11 4 821 9999
CSSC Turf Equipment (pvt) Ltd.	Sri Lanka	94 11 2746100	Norma Garden	Rusia	7 495 411 61 20
Cyril Johnston & Co.	Irlanda del Norte	44 2890 813 121	Oslinger Turf Equipment SA	Ecuador	593 4 239 6970
Cyril Johnston & Co.	República de Irlanda	44 2890 813 121	Oy Hako Ground and Garden Ab	Finlandia	358 987 00733
Equiver	México	52 55 539 95444	Parkland Products Ltd.	Nueva Zelanda	64 3 34 93760
Femco S.A.	Guatemala	502 442 3277	Perfetto	Polonia	48 61 8 208 416
ForGarder OU	Estonia	372 384 6060	Pratoverde SRL.	Italia	39 049 9128 128
G.Y.K. Company Ltd.	Japón	81 726 325 861	Prochaska & Cie	Austria	43 1 278 5100
Geomechaniki of Athens	Grecia	30 10 935 0054	RT Cohen 2004 Ltd.	Israel	972 986 17979
Golf international Turizm	Turquía	90 216 336 5993	Riversa	España	34 9 52 83 7500
Guandong Golden Star	China	86 20 876 51338	Lely Turfcare	Dinamarca	45 66 109 200
Hako Ground and Garden	Suecia	46 35 10 0000	Solvart S.A.S.	Francia	33 1 30 81 77 00
Hako Ground and Garden	Noruega	47 22 90 7760	Spypros Stavrinides Limited	Chipre	357 22 434131
Hayter Limited (U.K.)	Reino Unido	44 1279 723 444	Surge Systems India Limited	India	91 1 292299901
Hydroturf Int. Co Dubai	Emiratos Árabes Unidos	97 14 347 9479	T-Markt Logistics Ltd.	Hungría	36 26 525 500
Hydroturf Egypt LLC	Egipto	202 519 4308	Toro Australia	Australia	61 3 9580 7355
Irrimac	Portugal	351 21 238 8260	Toro Europe NV	Bélgica	32 14 562 960
Irrigation Products Int'l Pvt Ltd.	India	0091 44 2449 4387	Valtech	Marruecos	212 5 3766 3636
Jean Heybroek b.v.	Países Bajos	31 30 639 4611	Victus Emak	Polonia	48 61 823 8369

Aviso de privacidad (Europa)

Información recopilada por Toro

Toro Warranty Company (Toro) respeta su privacidad. Para procesar las reclamaciones bajo la Garantía y para ponernos en contacto con usted en el caso de una posible retirada de productos, le pedimos que comparta con nosotros cierta información personal, bien directamente, bien a través de su concesionario o empresa Toro local.

El sistema de garantías de Toro está hospedado en servidores ubicados en los Estados Unidos, y por tanto las leyes de privacidad aplicables pueden no proporcionar la misma protección que en su país.

AL COMPARTIR SU INFORMACIÓN PERSONAL CON NOSOTROS, OTORGA SU CONSENTIMIENTO AL PROCESAMIENTO DE DICHA INFORMACIÓN PERSONAL EN LOS CASOS DESCRITOS EN ESTE AVISO DE PRIVACIDAD.

Uso que hace Toro de la información

Toro puede utilizar su información personal para procesar reclamaciones bajo la garantía y para ponerse en contacto con usted si se produce la retirada de un producto, así como para cualquier otro propósito del que le informemos. Toro puede compartir su información con filiales, concesionarios u otros socios comerciales de Toro con relación a cualquiera de las actividades antes mencionadas. No venderemos su información personal a ninguna otra empresa. Nos reservamos el derecho a divulgar información personal para cumplir la legislación aplicable y a petición de las autoridades competentes, para operar correctamente nuestros sistemas o para nuestra propia protección o la de otros usuarios.

Retención de su información personal

Retendremos su información personal durante el tiempo que sea necesario para cumplir los fines para los que se recopiló originalmente o para otros fines legítimos (tales como cumplimiento de la legislación), o según lo exija la legislación aplicable.

Compromiso de Toro respecto a la seguridad de su información Personal

Tomamos precauciones razonables para proteger la seguridad de sus datos personales. También tomamos medidas para asegurar que la información personal sea exacta y esté actualizada.

Acceso y rectificación de su información personal

Si usted desea revisar o corregir su información personal, póngase en contacto con nosotros por correo electrónico a legal@toro.com.

Ley de Consumo de Australia

Los clientes australianos encontrarán información sobre la Ley de Consumo de Australia dentro de la caja o a través de su concesionario Toro local.



Condiciones y productos cubiertos

The Toro Company y su afiliado, Toro Warranty Company, bajo un acuerdo entre sí, prometen conjuntamente al comprador original reparar los Productos Toro citados a continuación si tienen defectos de materiales o mano de obra.

Los siguientes plazos son aplicables desde la fecha de la compra por el propietario original:

Productos	Periodo de garantía
Cortacéspedes dirigidos	
Cortacéspedes de 53 cm – Uso residencial ¹	2 años
Cortacéspedes de 53 cm – Uso comercial	1 año
Cortacéspedes de 76 cm – Uso residencial ¹	2 años
Cortacéspedes de 76 cm – Uso comercial	1 año
Cortacéspedes dirigidos de tamaño medio	2 años
• Motor	2 años ²
Cortacéspedes Grand Stand®	5 años o 1,200 horas ³
• Motor	2 años
• Bastidor	Vida del producto (únicamente el propietario original) ⁴
Cortacéspedes Z Master® Serie 2000	4 años o 500 horas ³
• Motor	2 años ²
• Bastidor	Vida del producto (únicamente el propietario original) ⁴
Cortacéspedes Z Master® Serie 3000	5 años o 1,200 horas ³
• Motor	2 años ²
• Bastidor	Vida del producto (únicamente el propietario original) ⁴
Cortacéspedes Z Master® Serie 5000 y 6000	5 años o 1,200 horas ³
• Motor	2 años ²
• Bastidor	Vida del producto (únicamente el propietario original) ⁴
Cortacéspedes Z Master® Serie 7000	5 años o 1,200 horas ³
• Motor	2 años ²
• Bastidor	Vida del producto (únicamente el propietario original) ⁴
Todos los cortacéspedes	
• Batería	2 años
• Accesorios	2 años

¹“Uso residencial” significa el uso del producto en la misma parcela en la que se encuentra su vivienda. El uso en más de un lugar se considera como uso comercial y será aplicable la garantía comercial.

²Algunos motores utilizados en los productos Toro LCE están garantizados por el fabricante del motor.

³Lo que ocurra primero.

⁴Garantía de por vida del bastidor - Si el bastidor principal, que consta de las piezas que están soldadas entre sí para formar la estructura del tractor a la que están conectados otros componentes tales como el motor, se agrieta o se rompe durante el uso normal, será reparado o sustituido bajo la garantía sin coste alguno en concepto de piezas o mano de obra. Quedan excluidos los fallos del bastidor causados por mal uso o abuso y los fallos o las reparaciones necesarias a causa de óxido o corrosión.

Esta garantía incluye el coste de piezas y mano de obra, pero usted debe pagar los costes de transporte.

Instrucciones para obtener asistencia bajo la garantía

Si usted cree que su producto Toro tiene un defecto de materiales o de mano de obra, siga este procedimiento:

1. Póngase en contacto con el vendedor para concertar el servicio técnico del producto. Si por cualquier razón le es imposible ponerse en contacto con el vendedor, puede dirigirse a cualquier Distribuidor Autorizado Toro para concertar el servicio técnico.
2. Lleve el producto y su prueba de compra (recibo o factura de venta) al Distribuidor.
3. Si por alguna razón usted no está satisfecho con el análisis del Servicio Técnico o con la asistencia recibida, póngase en contacto con nosotros en la dirección siguiente:

RLC Customer Care Department

Toro Warranty Company

8111 Lyndale Avenue South

Bloomington, MN 55420-1196, EE.UU.

001-952-948-4707

Consulte la lista de Distribuidores adjunta.

Responsabilidades del Propietario

Usted debe mantener su Producto Toro siguiendo los procedimientos de mantenimiento descritos en el *Manual del operador*. Dicho mantenimiento rutinario, sea realizado por un concesionario o por usted mismo, es por cuenta de usted.

Elementos y condiciones no cubiertos

No hay otra garantía expresa salvo la cobertura especial de sistemas de emisión y la garantía sobre motores en algunos productos. Esta garantía expresa no cubre:

- El coste de mantenimiento regular, servicio o piezas, como por ejemplo filtros, combustible, lubricantes, cambios de aceite, bujías, filtros de aire, afilado de cuchillas o cuchillas desgastadas, ajustes de cables/acoplamientos o ajustes de frenos y embragues
- Componentes que fallan debido al desgaste normal
- Cualquier producto o pieza que haya sufrido modificaciones, abusos o negligencia y que necesite ser sustituido o reparado debido a accidente o falta de mantenimiento adecuado
- Costes de recogida y entrega
- Reparaciones o intentos de reparación por parte de personas no pertenecientes a un Distribuidor Autorizado Toro.
- Reparaciones necesarias por no haber seguido el procedimiento recomendado respecto al combustible (consulte el *Manual del operador* para obtener más detalles)
 - La eliminación de contaminantes del sistema de combustible no está cubierta
 - El uso de combustible viejo (de más de un mes de edad) o combustible que contenga más del 10% de etanol o el 15% de MTBE
 - No se ha drenado el sistema de combustible antes de un periodo de inactividad superior a un mes

Condiciones generales

El comprador está amparado por la legislación de cada país. Esta garantía no restringe los derechos del comprador bajo dicha legislación.

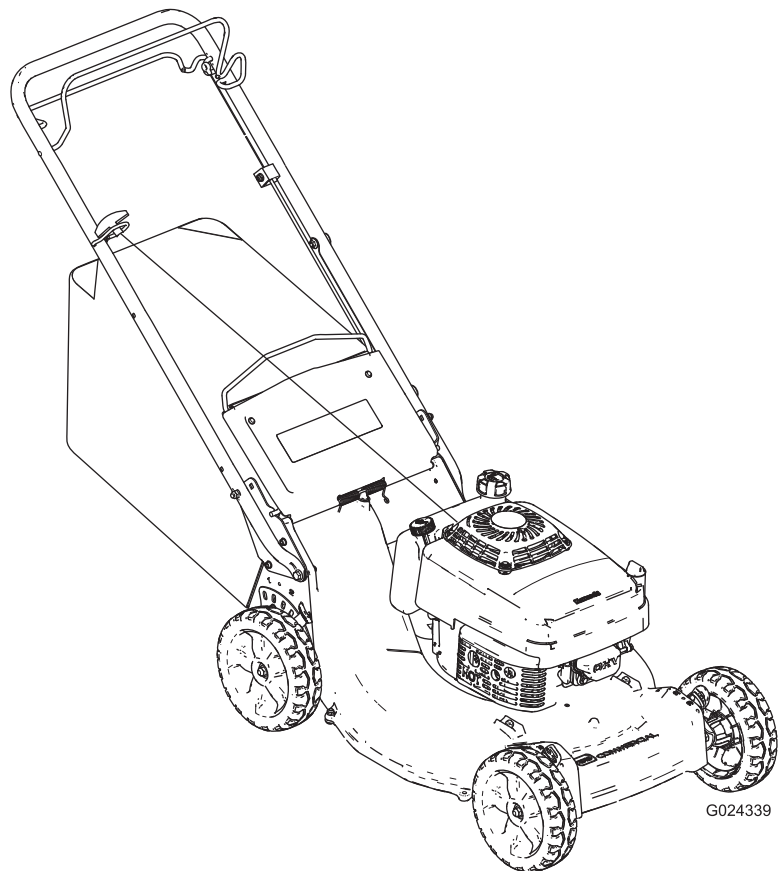


Count on it.

Manuel de l'utilisateur

**Tondeuse grand rendement
Recycler[®] de 53 cm avec bac
arrière**

N° de modèle 22291—N° de série 31600001 et suivants



G024339



Ce produit est conforme à toutes les directives européennes pertinentes. Pour plus de renseignements, consultez la Déclaration de conformité spécifique au produit fournie séparément.

Introduction

Cette tondeuse autotractée à lame rotative est destinée au grand public, aux professionnels et aux utilisateurs temporaires. Elle est principalement conçue pour tondre les pelouses régulièrement entretenues des terrains privés et commerciaux. Elle n'est pas conçue pour couper les broussailles ni pour un usage agricole.

Lisez attentivement cette notice pour apprendre comment utiliser et entretenir correctement la machine, et éviter de l'endommager ou de vous blesser. Vous êtes responsable de l'utilisation sûre et correcte de la machine.

Vous pouvez contacter Toro directement sur www.Toro.com pour tout renseignement concernant un produit ou un accessoire, pour obtenir l'adresse des concessionnaires ou pour enregistrer votre produit.

Pour obtenir des prestations de service, des pièces Toro d'origine ou des renseignements complémentaires, munissez-vous des numéros de modèle et de série du produit et contactez un concessionnaire-réparateur ou le service client Toro agréé. La Figure [Figure 1](#) indique l'emplacement des numéros de modèle et de série du produit. Inscrivez les numéros dans l'espace réservé à cet effet.

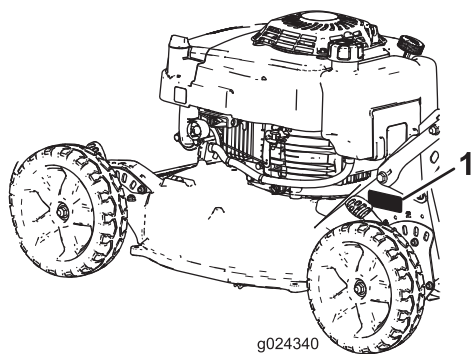


Figure 1

1. Plaque des numéros de modèle et de série

N° de modèle _____
N° de série _____

Les mises en garde de ce manuel soulignent des dangers potentiels et sont signalées par le symbole de sécurité ([Figure 2](#)), qui indique un danger pouvant entraîner des blessures

graves ou mortelles si les précautions recommandées ne sont pas respectées.



Figure 2

1. Symbole de sécurité

Ce manuel utilise deux termes pour faire passer des renseignements essentiels. **Important**, pour attirer l'attention sur des renseignements mécaniques spécifiques et **Remarque**, pour insister sur des renseignements d'ordre général méritant une attention particulière.

Couple net

Le couple brut ou net de ce moteur a été calculé en laboratoire par le constructeur du moteur selon la norme SAE J1940 de la Society of Automotive Engineers (SAE). Étant configuré pour satisfaire aux normes de sécurité, antipollution et d'exploitation, le moteur monté sur cette classe de tondeuse aura un couple effectif nettement inférieur.

Table des matières

Sécurité	3
Sécurité générale de la tondeuse	3
Pression acoustique	5
Puissance acoustique	5
Vibrations au niveau des mains et des bras	5
Autocollants de sécurité et d'instruction	6
Mise en service	8
1 Montage du guidon	8
2 Installation du câble du lanceur	10
3 Plein d'huile du carter moteur	10
4 Réglage de l'autopropulsion	11
5 Montage du bac à herbe	11
Vue d'ensemble du produit	12
Caractéristiques techniques	12
Utilisation	13
Contrôle du niveau d'huile moteur	13
Plein du réservoir de carburant	13
Réglage de la hauteur de coupe	14
Démarrage du moteur	14
Arrêt du moteur	15
Utilisation de la commande d'autopropulsion	15
Recyclage de l'herbe coupée	15
Ramassage de l'herbe coupée	15
Conseils d'utilisation	16
Entretien	18
Programme d'entretien recommandé	18
Entretien du moteur	19
Entretien du filtre à air	19
Vidange de l'huile moteur	19
Entretien de la bougie	20
Entretien du système d'entraînement	20
Réglage de l'autopropulsion	20
Entretien de la lame	21
Entretien de la lame	21
Nettoyage	23
Nettoyage du dessous de la machine	23
Nettoyage des roues	24
Remisage	25
Préparation du système d'alimentation	25
Préparation du moteur	25
Informations générales	25
Remise en service après remisage	25
Dépistage des défauts	26

Sécurité

Cette machine est conçue en conformité avec la norme EN ISO 5395:2013.

L'usage ou l'entretien incorrect de cette machine peut occasionner des accidents. Pour réduire les risques, respectez les consignes de sécurité suivantes.

Pour assurer une sécurité et un rendement optimaux, et apprendre à bien connaître le produit, vous-même et tout autre utilisateur de la tondeuse, devez impérativement lire et comprendre le contenu de ce manuel avant même de mettre le moteur en marche. Tenez particulièrement compte des mises en garde signalées par le symbole de sécurité (Figure 2) et la mention Prudence, Attention ou Danger. Vous devez lire et bien comprendre ces directives car elles portent sur votre sécurité. Ne pas respecter ces instructions peut entraîner des blessures.

Sécurité générale de la tondeuse

Cette machine peut sectionner les mains et les pieds, et projeter des objets. Des accidents graves ou mortels sont possibles si les consignes de sécurité suivantes ne sont pas respectées.

Apprendre à se servir de la machine

- Lisez attentivement les instructions. Familiarisez-vous avec les commandes et l'utilisation de la machine.
- Ne confiez jamais l'utilisation de la machine à des enfants, ni à des adultes n'ayant pas pris connaissance des instructions. Certaines législations imposent un âge minimum pour l'utilisation de ce type de machine.
- N'oubliez jamais que l'utilisateur est responsable des accidents ou dommages causés à d'autres personnes et à leurs possessions.
- Apprenez la signification de tous les symboles utilisés sur la machine ou dans les instructions.

Essence

ATTENTION – l'essence est très inflammable. Prenez les précautions suivantes :

- Conservez le carburant dans un récipient spécialement conçu à cet effet.
- Faites toujours le plein à l'extérieur, et ne fumez jamais durant cette opération.
- Faites le plein de carburant avant de mettre le moteur en marche. N'enlevez jamais le bouchon du réservoir de carburant et n'ajoutez jamais de carburant lorsque le moteur tourne ou qu'il est chaud.
- Si vous renversez de l'essence, ne mettez pas le moteur en marche. Éloignez la machine et évitez toute source

possible d'inflammation jusqu'à dissipation complète des vapeurs d'essence.

- Refermez soigneusement tous les réservoirs et récipients contenant du carburant.

Avant d'utiliser la machine

- Portez toujours un pantalon et des chaussures solides à semelle antidérapante pour travailler. N'utilisez pas la machine pieds nus ou chaussé de sandales.
- Inspectez soigneusement la zone de travail et enlevez tous les objets susceptibles d'être projetés par la machine (pierres, branches, câbles, etc.).
- Avant d'utiliser la machine, vérifiez toujours si les capots et les dispositifs de sécurité, comme les déflecteurs et/ou les bacs à herbe, sont en place et fonctionnent correctement.
- Avant d'utiliser la machine, vérifiez toujours que les lames, les boulons de lame et l'ensemble de coupe ne sont pas usés ou endommagés. Remplacez les boulons et les lames usés ou endommagés par paires pour ne pas modifier l'équilibre.

Démarrage

- N'inclinez pas la machine lorsque vous démarrez le moteur, à moins que ce ne soit indispensable au démarrage. Dans ce cas, ne l'inclinez pas plus que nécessaire, et ne relevez que la partie éloignée de l'utilisateur.
- Mettez le moteur en marche avec précaution, conformément aux instructions, et n'approchez pas les pieds des lames ou de l'avant de la goulotte d'éjection.

Utilisation

- Ne tondez jamais lorsque des personnes, et surtout des enfants ou des animaux familiers, se trouvent à proximité.
- Tondez uniquement à la lumière du jour ou avec un bon éclairage artificiel.
- Méfiez-vous des trous et autres dangers cachés de la zone de travail.
- N'approchez pas les mains ni les pieds des pièces en rotation. Ne vous tenez jamais devant l'ouverture d'éjection.
- Ne soulevez et ne portez jamais une tondeuse dont le moteur tourne.
- Soyez extrêmement prudent lorsque vous faites marche arrière ou quand vous tirez une machine à conducteur marchant vers vous.
- Marchez, ne courez pas.
- Pentes :
 - Ne tondez pas de pentes trop raides.
 - Soyez extrêmement prudent sur un terrain en pente.

- Travaillez transversalement à la pente, jamais en montant ou en descendant et faites demi-tour avec la plus grande prudence.

- Sur les terrains en pente, faites particulièrement attention de ne pas glisser.

- Ralentissez sur les pentes et dans les virages serrés pour ne pas perdre le contrôle de la machine ou la retourner.
- Arrêtez la lame avant d'incliner la machine pour traverser des surfaces non recouvertes d'herbe et pour la transporter d'une surface de travail à une autre.
- Ne faites pas tourner le moteur dans un espace clos où le monoxyde de carbone et autres gaz d'échappement dangereux risquent de s'accumuler.
- Arrêtez le moteur
 - avant de quitter la machine.
 - avant de faire le plein de carburant
 - avant de retirer le bac à herbe.
 - avant de régler la hauteur de coupe, sauf si ce réglage peut se faire depuis la position d'utilisation.
- Coupez le moteur et débranchez le fil de la bougie.
 - avant de dégager ou de déboucher la goulotte d'éjection.
 - avant d'inspecter, de nettoyer ou d'effectuer toute opération sur la machine.
 - après avoir heurté un obstacle, vérifiez si la machine n'est pas endommagée et effectuez les réparations éventuellement nécessaires avant de la remettre en marche et de poursuivre l'utilisation.
 - si la machine se met à vibrer de manière inhabituelle (vérifiez immédiatement).
- La foudre peut causer des blessures graves ou mortelles. Si vous voyez des éclairs ou que vous entendez le tonnerre à proximité, n'utilisez pas la machine et mettez-vous à l'abri.
- Méfiez-vous de la circulation près des routes et pour les traverser.

Entretien et remisage

- Gardez tous les écrous, boulons et vis toujours bien serrés pour garantir l'utilisation sûre de la machine.
- N'utilisez pas de matériel de nettoyage sous pression pour nettoyer la machine.
- S'il reste de l'essence dans le réservoir, ne remisez jamais la machine dans un local où les vapeurs peuvent rencontrer une flamme nue ou une étincelle.
- Laissez refroidir le moteur avant de ranger la machine dans un local fermé.
- Pour réduire les risques d'incendie, débarrassez le moteur, le silencieux, le bac à batterie et le lieu de stockage de l'essence de tout excès de graisse, débris d'herbe et feuilles.

- Vérifiez fréquemment l'état des composants du bac à herbe et du déflecteur d'éjection, et remplacez les pièces qui en ont besoin par des pièces recommandées par le constructeur.
- Remplacez les pièces usées ou endommagées pour éviter les accidents.
- Remplacez les silencieux défectueux.
- La vidange du réservoir de carburant doit impérativement s'effectuer à l'extérieur.
- Ne modifiez pas le réglage du régulateur et ne faites pas tourner le moteur en surrégime. Un régime moteur excessif peut augmenter les risques d'accidents et de blessures.
- Soyez prudent pendant le réglage de la machine pour éviter de vous coincer les doigts entre les lames en rotation et les pièces fixes de la machine.
- **Pour préserver le bon fonctionnement et la sécurité de la machine, utilisez uniquement des pièces de rechange et des accessoires Toro d'origine. N'utilisez pas de pièces et accessoires génériques, car ils peuvent être dangereux.**

Transport

- Soyez prudent lorsque vous chargez la machine sur une remorque ou un camion, et lorsque vous la déchargez.
- Utilisez des rampes d'une seule pièce pour charger la machine sur une remorque ou un camion.
- Arrimez solidement la machine au moyen de sangles, chaînes, câbles ou cordes. Les sangles avant et arrière doivent être dirigées vers le bas et l'extérieur de la machine.

Pression acoustique

Cette machine produit au niveau de l'oreille de l'utilisateur une pression acoustique de 88 dBA, qui comprend une valeur d'incertitude (K) de 1 dBA.

La pression acoustique est déterminée en conformité avec les procédures énoncées dans la norme EN ISO 5395:2013.

Puissance acoustique

Cette machine a un niveau de puissance acoustique garanti de 98 dBA, qui comprend une valeur d'incertitude (K) de 1 dBA.

La puissance acoustique est déterminée en conformité avec les procédures énoncées dans la norme ISO 11094.

⚠ PRUDENCE

L'exposition prolongée au bruit pendant l'utilisation de la machine peut entraîner des déficiences auditives.

Portez des protecteurs d'oreilles pour chaque utilisation prolongée de la machine.

Vibrations au niveau des mains et des bras

Niveau de vibrations mesuré pour la main gauche = 2,3 m/s²

Niveau de vibrations mesuré pour la main droite = 2,7 m/s²

Valeur d'incertitude (K) = 1,4 m/s²

Les valeurs mesurées sont déterminées en conformité avec les procédures énoncées dans la norme EN ISO 5395:2013.

⚠ PRUDENCE

L'exposition prolongée aux vibrations pendant l'utilisation de la machine peut causer un engourdissement au niveau des mains et des poignets.

Portez des gants qui amortissent les vibrations pour chaque utilisation prolongée de la machine.

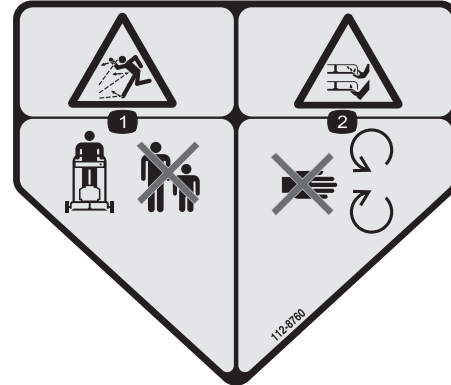
Autocollants de sécurité et d'instruction

Important: Les autocollants de sécurité et d'instruction sont placés près des endroits potentiellement dangereux. Remplacez les autocollants endommagés.



Marque du fabricant

1. Identifie la lame comme pièce d'origine.



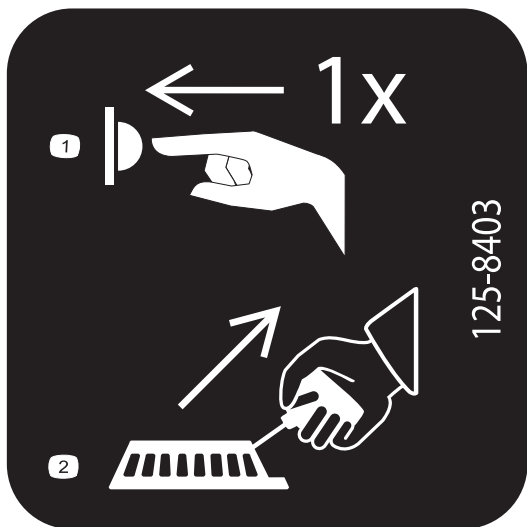
112-8760

1. Risque de projection d'objets – tenez les spectateurs à bonne distance de la machine.
2. Risque de coupure/mutilation des mains ou des pieds – ne vous approchez pas des pièces mobiles.



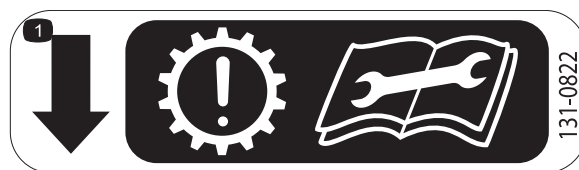
116-7583

1. Attention – Lisez le *Manuel de l'utilisateur*. N'utilisez pas cette machine à moins d'avoir les compétences nécessaires.
2. Risque de projection d'objets – tenez les spectateurs à bonne distance de la machine.
3. Risque de projections d'objets – n'utilisez pas la tondeuse sans mettre en place l'obturateur d'éjection arrière ou le le bac à herbe.
4. Risque de coupure/sectionnement des mains ou des pieds par la lame de la tondeuse – ne vous approchez pas des pièces mobiles et gardez toutes les protections en place.
5. Attention – portez des protecteurs d'oreilles.
6. Risque de coupure/sectionnement des pieds par la lame de la tondeuse – ne travaillez pas dans le sens de la pente, mais transversalement ; arrêtez le moteur avant de quitter la position d'utilisation ; ramassez les objets susceptibles d'être projetés par les lames et regardez derrière vous avant de faire marche arrière.



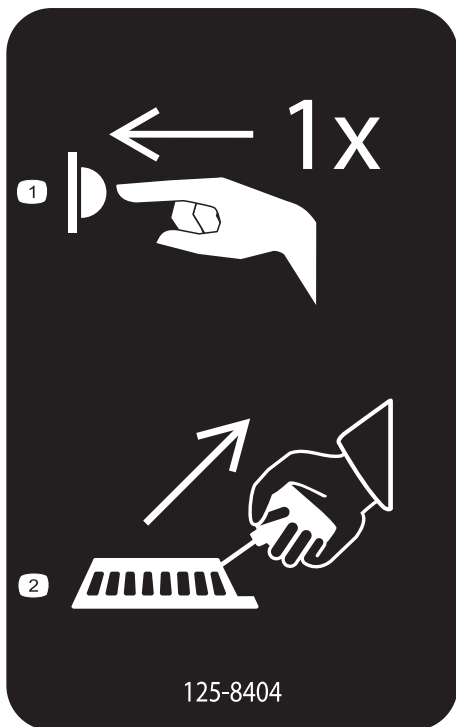
125-8403

1. Appuyez une fois sur l'amorceur.
2. Tirez la poignée du lanceur.



131-0822

1. Autopropulsion – Attention : la transmission peut s'user prématurément si la courroie est trop serrée ; lisez le *manuel de l'utilisateur* avant d'effectuer des entretiens ou des révisions.



125-8404

1. Appuyez une fois sur l'amorceur.
2. Tirez la poignée du lanceur.

Mise en service

Pièces détachées

Reportez-vous au tableau ci-dessous pour vérifier si toutes les pièces ont été expédiées.

Procédure	Description	Qté	Utilisation
1	Guidon	1	Montage du guidon.
	Boulon à tête-embase hexagonale (5/16 x 1-1/2 po)	2	
	Boulon de carrosserie (5/16 x 1-1/2 po)	2	
	Écrou à embase (5/16 po)	4	
2	Aucune pièce requise	–	Installation du câble du lanceur.
3	Aucune pièce requise	–	Plein d'huile du carter moteur.
4	Aucune pièce requise	–	Réglage de l'autopropulsion.
5	Aucune pièce requise	–	Montage du bac à herbe.

Remarque: Les côtés gauche et droit de la machine sont déterminés d'après la position d'utilisation normale.

1

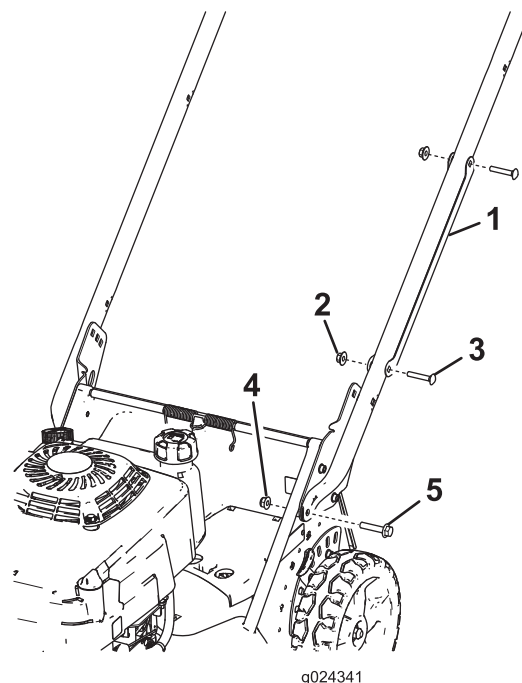
Montage du guidon

Pièces nécessaires pour cette opération:

1	Guidon
2	Boulon à tête-embase hexagonale (5/16 x 1-1/2 po)
2	Boulon de carrosserie (5/16 x 1-1/2 po)
4	Écrou à embase (5/16 po)

Procédure

1. Retirez les 2 boulons de carrosserie et les 2 contre-écrous qui fixent le protège-câble au guidon et déposez le protège-câble du guidon (Figure 3).



g024341
Figure 3

1. Protège-câble
2. Contre-écrou (2)
3. Boulon de carrosserie (1/4 x 1-1/2 po) (2)
4. Écrou à embase (5/16 po) (2)
5. Boulon à tête-embase hexagonale (5/16 x 1-1/2 po) (2)

Remarque: Conservez le protège-câble, les boulons de carrosserie et les contre-écrous pour la repose sur le guidon plus loin dans cette procédure.

- Fixez les extrémités du guidon au carter de la tondeuse au moyen de 2 boulons à tête-embase hexagonale (5/16 x 1-1/2 po) et de 2 écrous à embase (5/16 po), comme montré à la [Figure 3](#).
- Réglez la machine à la hauteur voulue ; voir [Réglage de la hauteur de coupe](#) (page 14).
- Faites passer les câbles de commande entre le plateau de coupe et le guidon pour les protéger des dommages ([Figure 4](#)).

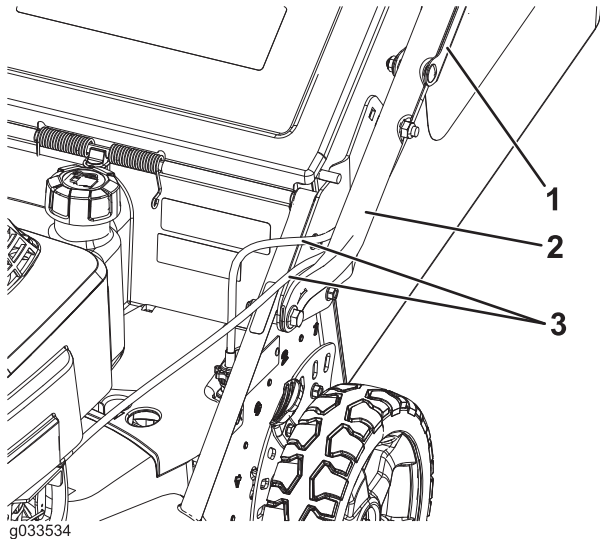


Figure 4

- Protège-câble
- Guidon
- Câble(s)

- Tenez-vous derrière la machine à la position d'utilisation pour déterminer quelle hauteur du guidon vous convient le mieux ([Figure 5](#)).

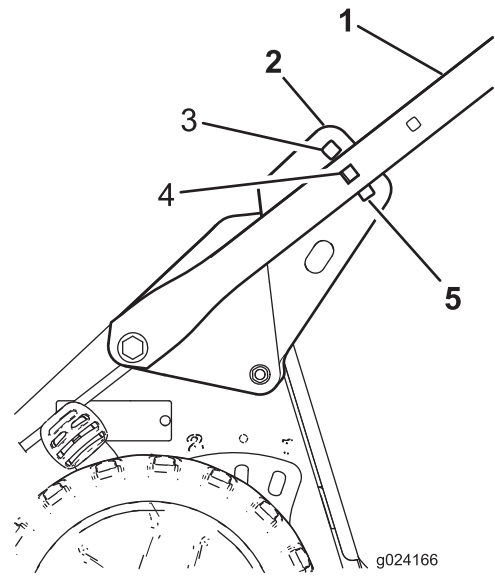


Figure 5

- Guidon
- Support de guidon (2)
- Hauteur maximale du guidon
- Hauteur intermédiaire du guidon
- Hauteur minimale du guidon

- Fixez le guidon sur ses supports à la hauteur qui convient au moyen de 2 boulons de carrosserie (5/16 x 1-1/2 po) et 2 écrous à embase (5/16 po), comme montré à la [Figure 6](#).

Important: Veillez à placer les têtes des boulons à l'intérieur du guidon et les écrous à l'extérieur.

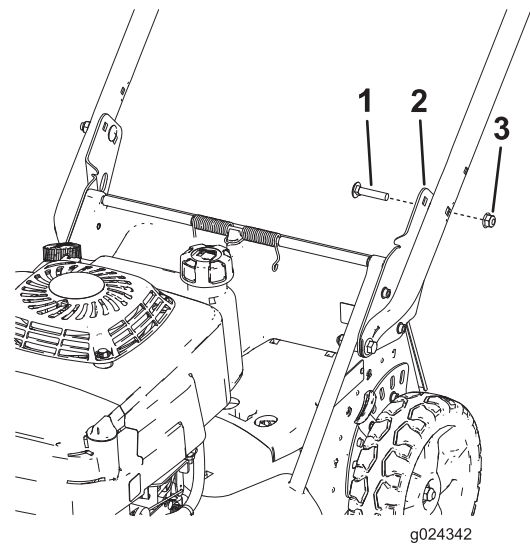


Figure 6

- Boulon de carrosserie (5/16 x 1-1/2 po) (2)
- Support de guidon (2)
- Écrou à embase (5/16 po) (2)

- Positionnez le protège-câble sur le guidon en plaçant le(s) câble(s) à l'intérieur du protège-câble, et

fixez le protège-câble sur le guidon à l'aide des 2 boulons de carrosserie et des 2 contre-écrous retirés précédemment (Figure 3).

Important: Veillez à ne pas pincer le(s) câble(s) sur le guidon lors du montage du protège-câble.

2

Installation du câble du lanceur

Aucune pièce requise

Procédure

Tirez le câble du lanceur à travers le guide sur le guidon (Figure 7).

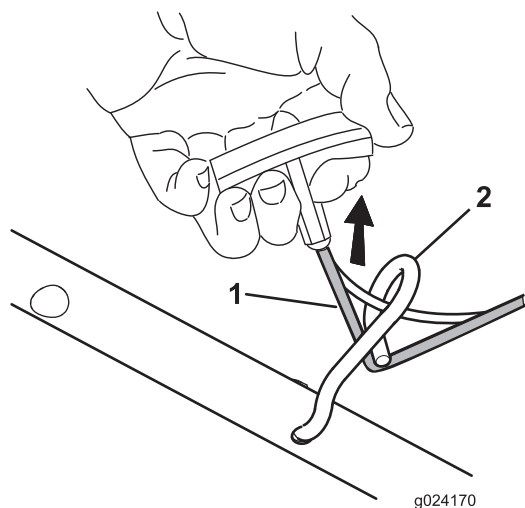


Figure 7

1. Câble du lanceur
2. Guide-câble

Remarque: Pour faciliter l'installation du lanceur, serrez la barre de commande de la lame contre le guidon.

3

Plein d'huile du carter moteur

Aucune pièce requise

Procédure

La machine est expédiée sans huile dans le carter moteur. Avant de mettre le moteur en marche, faites le plein d'huile moteur. Le carter moteur (avec filtre à huile) a une capacité de 0,65 litre. Utilisez uniquement une huile détergente de haute qualité SAE 10W-30, de classe de service API (American Petroleum Institute) SH, SJ ou d'une classe équivalente.

Avant chaque utilisation, vérifiez que le niveau d'huile se situe entre les repères maximum et minimum sur la jauge (Figure 8).

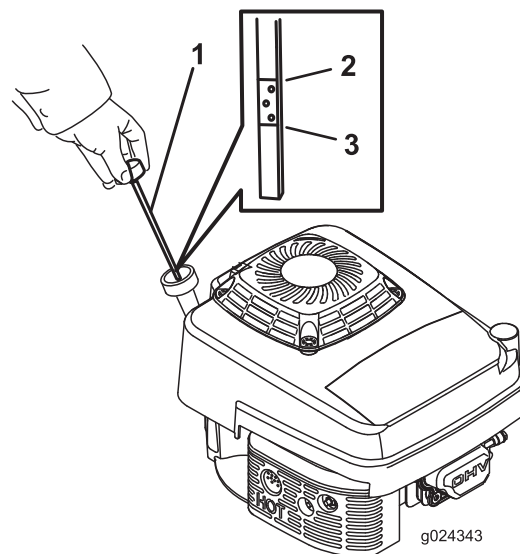


Figure 8

1. Jauge d'huile
2. Repère maximum
3. Repère minimum

Remarque: Quand le carter moteur est vide, remplissez-le environ aux 3/4, puis suivez la procédure décrite dans cette section.

1. Garez la machine sur un sol plat et horizontal.
2. Nettoyez la surface autour du bouchon de remplissage (Figure 8).
3. Dévissez le bouchon et sortez la jauge.
4. Essuyez la jauge sur un chiffon propre.
5. Insérez la jauge au fond du goulot de remplissage, puis ressortez-la.
6. Lisez le niveau d'huile indiqué sur la jauge.
 - Si le niveau n'atteint pas le repère minimum sur la jauge, versez lentement une petite quantité d'huile

dans le tube de remplissage, patientez 3 minutes et répétez les opérations 4 à 6 jusqu'à ce que le niveau atteigne le repère maximum.

- Si le niveau d'huile dépasse le repère maximum sur la jauge, vidangez l'excédent d'huile jusqu'à ce que le niveau soit redescendu au repère maximum. Voir [Vidange de l'huile moteur \(page 19\)](#).

Important: Si vous faites tourner le moteur alors que le niveau d'huile dans le carter est trop bas ou trop élevé, vous risquez d'endommager le moteur.

7. Insérez la jauge dans le goulot de remplissage et vissez fermement le bouchon dans le sens horaire.

4

Réglage de l'autopropulsion

Aucune pièce requise

Procédure

Important: Vous devez régler le câble d'autopropulsion avant la toute première utilisation de la machine. Voir [Réglage de l'autopropulsion \(page 20\)](#).

5

Montage du bac à herbe

Aucune pièce requise

Procédure

1. Glissez le bac sur l'armature, comme montré à la [Figure 9](#).

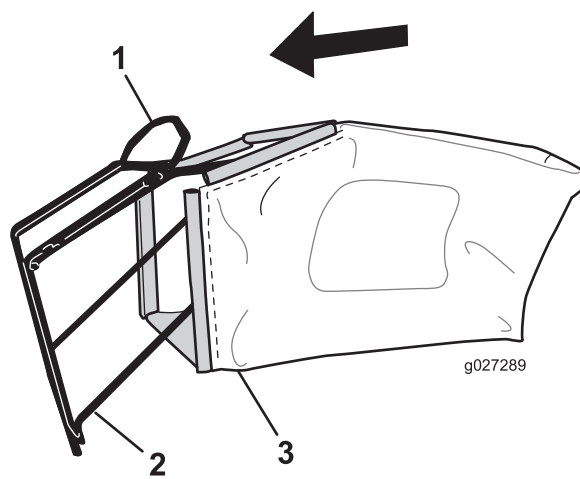


Figure 9

1. Guidon
2. Armature
3. Bac à herbe

Remarque: Ne faites pas passer le bac sur le guidon ([Figure 9](#)).

2. Accrochez la glissière inférieure du bac au bas de l'armature ([Figure 10](#)).

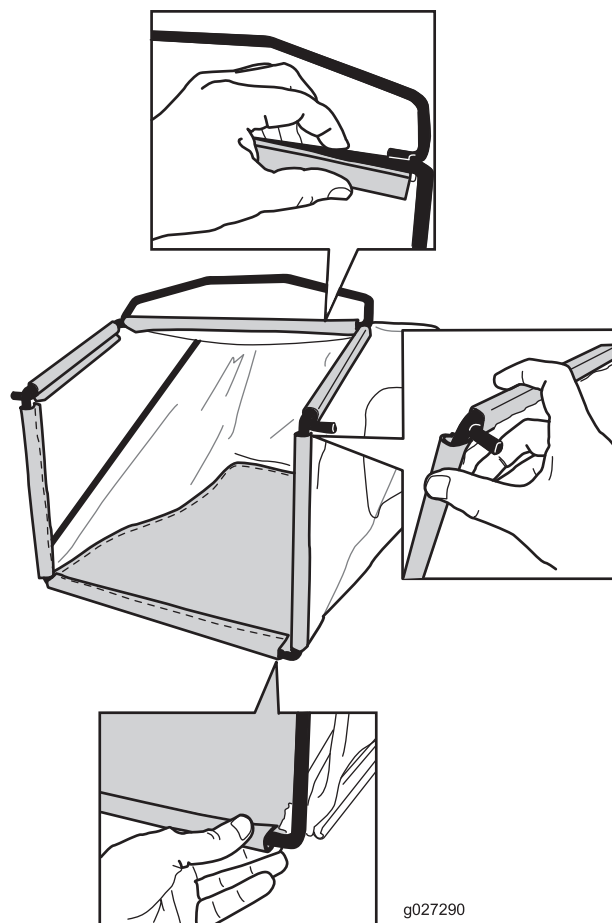


Figure 10

3. Accrochez les glissières supérieur et latérales du bac au sommet et sur les côté de l'armature respectivement (Figure 10).

Vue d'ensemble du produit

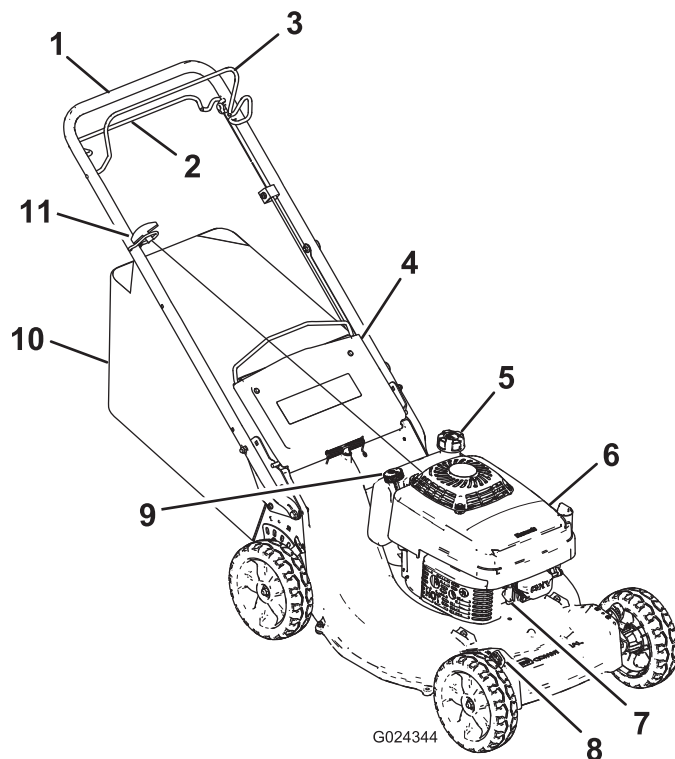


Figure 11

- | | |
|--------------------------------------|-----------------------------------|
| 1. Guidon | 7. Bougie |
| 2. Barre d'autopropulsion | 8. Levier de hauteur de coupe (4) |
| 3. Barre de commande de la lame | 9. Bouchon de remplissage/jauge |
| 4. Volet arrière | 10. Bac à herbe |
| 5. Bouchon du réservoir de carburant | 11. Poignée du lanceur |
| 6. Filtre à air | |

Caractéristiques techniques

Poids	56 kg
Longueur	161 cm
Largeur	55 cm
Hauteur	88 cm

Utilisation

Remarque: Les côtés gauche et droit de la machine sont déterminés d'après la position d'utilisation normale.

Chaque fois que vous utilisez la machine, vérifiez le bon fonctionnement du système d'autopropulsion et de la barre de commande de la lame. La machine et la lame doivent s'arrêter quand vous relâchez la barre de commande de la lame et la barre de commande d'autopropulsion. Si ce n'est pas le cas, consultez un concessionnaire-réparateur agréé.

⚠ PRUDENCE

Cette machine produit au niveau de l'oreille de l'utilisateur un niveau sonore de plus de 85 dBA, susceptible d'entraîner des déficiences auditives en cas d'exposition prolongée.

Portez des protecteurs d'oreilles quand vous utilisez la machine.



Figure 12

1. Attention – portez des protecteurs d'oreilles.

Contrôle du niveau d'huile moteur

Périodicité des entretiens: À chaque utilisation ou une fois par jour—Contrôlez le niveau d'huile moteur.

Avant chaque utilisation de la machine, vérifiez que le niveau d'huile se situe entre les repères maximum et minimum montrés sur la jauge (Figure 13).

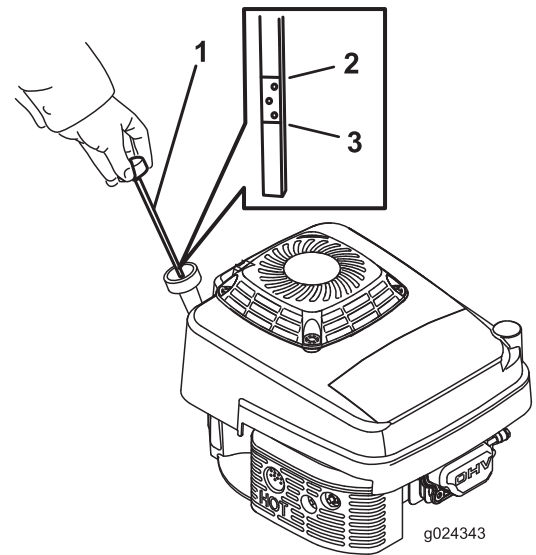


Figure 13

1. Jauge d'huile
2. Repère maximum
3. Repère minimum

Faites l'appoint si le niveau est en dessous du repère minimum. Voir [3 Plein d'huile du carter moteur](#) (page 10).

Plein du réservoir de carburant

⚠ DANGER

L'essence est extrêmement inflammable et explosive. Un incendie ou une explosion causé(e) par de l'essence peut vous brûler, ainsi que les personnes se tenant à proximité.

- Pour éviter que l'électricité statique n'enflamme l'essence, posez le récipient et/ou la machine directement sur le sol, pas dans un véhicule ou sur un support quelconque, avant de remplir le réservoir.
- Faites le plein du réservoir de carburant à l'extérieur quand le moteur est froid. Essayez le carburant éventuellement répandu.
- Ne fumez jamais en manipulant de l'essence et tenez-vous à l'écart des flammes nues ou des sources d'étincelles.
- Conservez l'essence dans un récipient homologué, hors de la portée des enfants.
- Pour assurer le fonctionnement optimal de la machine, utilisez uniquement de l'essence sans plomb propre et fraîche (stockée depuis moins d'un mois) ayant un indice d'octane de 87 ou plus (méthode de calcul $[R+M]/2$).
- L'utilisation de carburant oxygéné contenant jusqu'à 10 % d'éthanol ou 15 % de MTBE par volume est acceptable.
- **Éthanol :** De l'essence contenant jusqu'à 10 % d'éthanol (essence-alcool) ou 15 % de MTBE (éther

méthyltertiobutylique) par volume peut être utilisée à la rigueur. L'éthanol et le MTBE sont deux produits différents. L'utilisation d'essence contenant 15 % d'éthanol (E15) par volume n'est pas agréée. **N'utilisez jamais d'essence contenant plus de 10 % d'éthanol par volume**, comme E15 (qui contient 15 % d'éthanol), E20 (qui contient 20 % d'éthanol) ou E85 (qui contient jusqu'à 85 % d'éthanol). L'utilisation d'essence non agréée peut entraîner des problèmes de performances et/ou des dommages au moteur qui peuvent ne pas être couverts par la garantie.

- N'utilisez **pas** d'essence contenant du méthanol.
- Ne stockez **pas** le carburant dans le réservoir ou dans des bidons de carburant pendant l'hiver, à moins d'utiliser un stabilisateur de carburant.
- N'ajoutez **pas** d'huile à l'essence.

Important: Pour réduire les problèmes de démarrage, ajoutez un stabilisateur à chaque plein et utilisez de l'essence stockée depuis moins d'un mois.

Remarque: Le réservoir de carburant a une capacité de 1,8 litre.

Réglage de la hauteur de coupe

Vous pouvez changer la hauteur de coupe sur chaque roue en déplaçant un levier de hauteur de coupe. Les hauteurs de coupe suivantes sont disponibles : 25 mm, 38 mm, 51 mm, 64 mm, 76 mm, 89 mm, 102 mm et 114 mm.

▲ DANGER

Lors du réglage des leviers de hauteur de coupe, vous risquez de vous blesser gravement si vos mains touchent la lame en mouvement.

- **Arrêtez le moteur et attendez l'arrêt de toutes les pièces en mouvement avant de régler la hauteur de coupe.**
- **Ne mettez pas les doigts sous le carter de la tondeuse quand vous réglez la hauteur de coupe.**

1. Tirez le levier de hauteur de coupe vers la roue (Figure 14) et amenez-le à la position voulue.

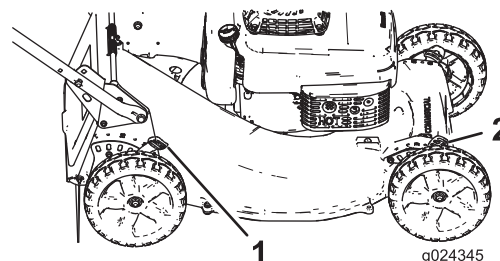


Figure 14

1. Levier de hauteur de coupe arrière (2)
2. Levier de hauteur de coupe avant (2)

2. Relâchez et engagez le levier dans le cran correspondant à la hauteur requise.
3. Réglez toutes les roues à la même hauteur de coupe.

Démarrage du moteur

1. Branchez le fil à la bougie.
2. Appuyez fermement sur l'amorceur (Figure 15), en maintenant la poire enfoncée pendant 1 seconde.

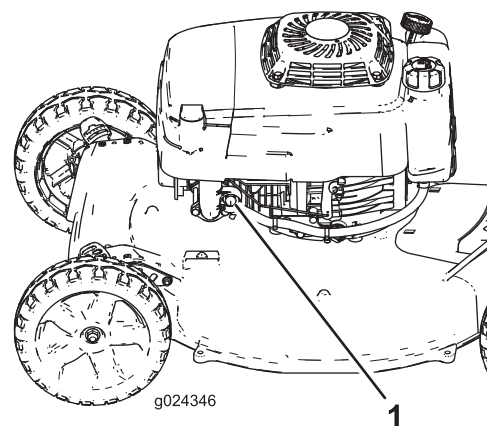


Figure 15

1. Amorceur

3. Serrez la barre de commande de la lame contre la partie supérieure du guidon (Figure 16).

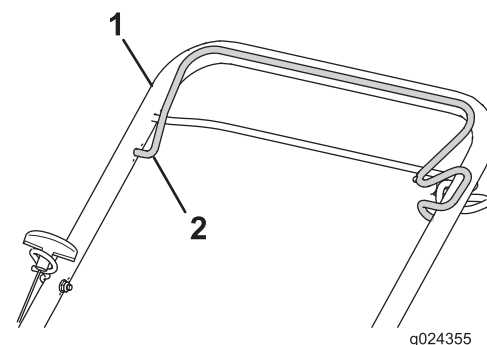


Figure 16

1. Partie supérieure du guidon
2. Barre de commande de la lame

- Tirez légèrement la poignée du lanceur jusqu'à ce que vous sentiez une résistance, tirez vigoureusement, puis laissez le lanceur se rétracter lentement jusqu'au guide-câble sur le guidon.

Remarque: Si le moteur refuse de démarrer, répétez les opérations 2 à 4.

Arrêt du moteur

Relâchez la barre de commande de la lame. Le moteur et la lame doivent s'arrêter en moins de 3 secondes. Si ce n'est pas le cas, consultez un concessionnaire-réparateur agréé.

Utilisation de la commande d'autopropulsion

- Pour engager l'autopropulsion :** Serrez et maintenez la barre de commande d'autopropulsion contre le guidon (Figure 17).

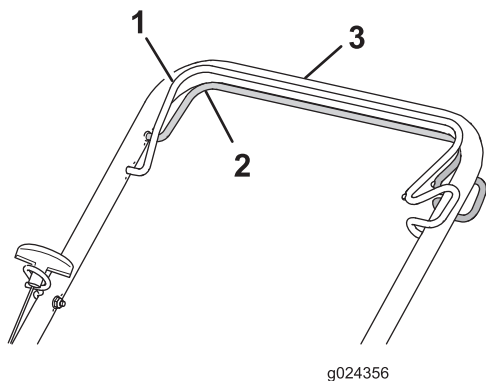


Figure 17

- Barre de commande de la lame (montrée engagée)
- Barre d'autopropulsion
- Partie supérieure du guidon

Remarque: La vitesse d'autopropulsion maximale est fixe. Pour ralentir la machine, éloignez la barre d'autopropulsion du guidon.

- Pour désengager l'autopropulsion :** Relâchez la barre de commande d'autopropulsion.

Remarque: La machine est équipée d'embrayages roue libre qui permettent de la tirer plus facilement en arrière. Pour débrayer toutes les commandes, vous devez pousser la machine en avant sur environ 2,5 cm ou plus après avoir relâché la barre de commande d'autopropulsion.

Recyclage de l'herbe coupée

À la livraison, cette machine est prête à recycler l'herbe et les feuilles coupées pour nourrir votre pelouse. Pour préparer la machine au recyclage :

- Si le bac à herbe est monté sur la machine, enlevez-le ; voir [Retrait du bac à herbe](#) (page 16).
- Si l'obturateur d'éjection arrière n'est pas en place, saisissez-le par la poignée, soulevez le volet arrière, et insérez-le dans la goulotte d'éjection arrière jusqu'à ce que le verrou s'enclenche ; voir [Figure 18](#).

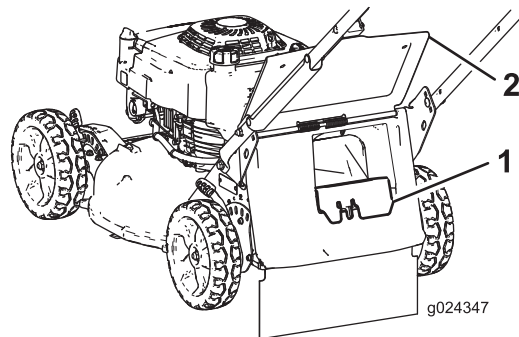


Figure 18

- Obturateur d'éjection arrière
- Volet arrière

⚠ ATTENTION

Si vous utilisez la machine en mode de recyclage des déchets d'herbe sans mettre l'obturateur en place, des objets peuvent être projetés dans votre direction ou celle d'autres personnes. Un contact avec les lames est également possible. Les objets éjectés ou les lames peuvent causer des blessures graves ou mortelles.

Assurez-vous que l'obturateur d'éjection arrière est en place avant de procéder au recyclage. **N'engagez jamais les lames à moins que l'obturateur d'éjection arrière ou le bac à herbe ne soit monté sur la machine.**

Ramassage de l'herbe coupée

Utilisez le bac à herbe pour recueillir les débris d'herbe et de feuilles déposés sur la pelouse.

⚠ ATTENTION

Si le bac de ramassage est utilisé, des gravillons ou autres débris similaires peuvent être projetés vers vous ou vers des personnes à proximité, et causer des blessures graves ou mortelles.

Contrôlez fréquemment le bac à herbe. S'il est endommagé, remplacez-le par un bac Toro neuf d'origine.

⚠ ATTENTION

Les lames sont tranchantes et vous pouvez vous blesser gravement à leur contact.

Coupez le moteur et attendez l'arrêt complet de toutes les pièces mobiles avant de quitter la position d'utilisation.

Montage du bac à herbe

1. Coupez le moteur et attendez l'arrêt de toutes les pièces mobiles.
2. Soulevez le volet arrière et gardez-le dans cette position (Figure 19).

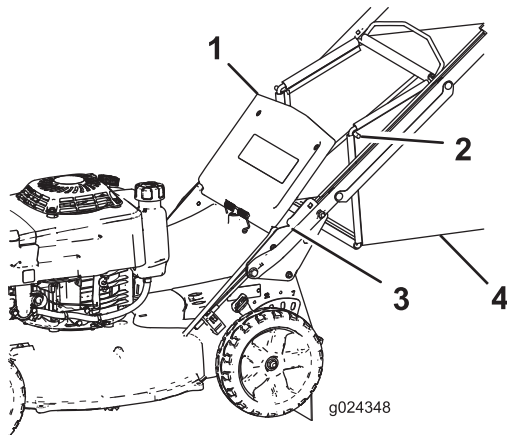


Figure 19

- | | |
|------------------------------------|----------------|
| 1. Volet arrière | 3. Cran (2) |
| 2. Extrémité de la tige du bac (2) | 4. Bac à herbe |

3. Déposez l'obturateur d'éjection arrière en appuyant sur le verrou avec le pouce et en tirant sur l'obturateur pour le sortir de la machine (Figure 18).
4. Placez les extrémités de la tige du bac dans les crans à la base du guidon et basculez le bac d'avant en arrière pour vous assurer que les extrémités de la tige sont bien engagées au fond des deux crans (Figure 19).
5. Abaissez le volet arrière jusqu'à ce qu'il repose sur le bac à herbe.

Retrait du bac à herbe

⚠ DANGER

De l'herbe ou autres débris peuvent être projetés par l'ouverture dans le carter de la machine si elle n'est pas fermée. Ces débris peuvent être projetés avec une force suffisante pour infliger des blessures graves, voire mortelles, à l'utilisateur ou aux personnes à proximité.

- **N'enlevez jamais le bac à herbe et ne démarrez pas le moteur sans installer l'obturateur d'éjection sur la machine auparavant.**
- **N'ouvrez jamais le volet arrière de la machine quand le moteur est en marche.**

1. Coupez le moteur et attendez l'arrêt de toutes les pièces mobiles.
2. Relevez le volet arrière.
3. Enlevez la tige du bac à herbe des crans à la base du guidon (Figure 19).
4. Installez l'obturateur d'éjection ; voir [Recyclage de l'herbe coupée](#) (page 15).
5. Abaissez le volet arrière.

Conseils d'utilisation

Recommandations générales

- Avant d'utiliser la machine, lisez attentivement les consignes de sécurité et ce manuel.
- Débarrassez la zone de travail des branches, pierres, câbles et autres débris qui pourraient être ramassés et projetés par la lame.
- Veillez à tenir tout le monde à l'écart de la zone de travail, en particulier les enfants et les animaux domestiques.
- Évitez de heurter les arbres, les murs, les bordures ou autres obstacles. Ne passez jamais intentionnellement sur un objet quel qu'il soit.
- Si la machine a heurté un obstacle ou commence à vibrer, coupez immédiatement le moteur, débranchez la bougie et vérifiez si la machine n'est pas endommagée.
- Maintenez la lame **bien affûtée** tout au long de la saison de tonte. De temps à autre, limez les ébréchures de la lame.
- Remplacez la lame dès que nécessaire par une lame Toro d'origine.
- Ne tondez que si l'herbe ou les feuilles sont sèches. L'herbe et les feuilles humides ont tendance à s'agglomérer sur la pelouse et peuvent obstruer la machine et faire caler le moteur.

⚠ ATTENTION

En travaillant sur l'herbe ou les feuilles humides, vous risquez de glisser et de vous blesser gravement si vous touchez la lame en tombant.

Ne tondez que si l'herbe est sèche.

- Nettoyez le dessous de la machine après chaque utilisation ; voir [Nettoyage du dessous de la machine \(page 23\)](#).
- Maintenez le moteur en bon état de marche.
- Nettoyez fréquemment le filtre à air. Le mulching soulève davantage de déchets et de poussière, ce qui peut colmater le filtre à air et réduire les performances du moteur.
- Sélectionnez la vitesse la plus élevée pour obtenir une qualité de coupe optimale.

⚠ ATTENTION

Si le régime moteur est plus rapide que le réglage d'usine, la machine peut projeter un éclat de lame ou un morceau du moteur dans votre direction ou celle d'autres personnes et causer des blessures graves ou mortelles.

- **Ne modifiez pas le réglage du régulateur sur le moteur.**
- **Adressez-vous à un réparateur agréé si vous pensez que le régime moteur est supérieur à la normale.**

La tonte

- L'herbe pousse à une vitesse différente selon les saisons. Pendant les grosses chaleurs, il est préférable de régler la hauteur de coupe à 64 mm, 76 mm ou 89 mm. Ne tondez l'herbe que sur un tiers de sa hauteur à chaque fois. N'utilisez pas une hauteur de coupe inférieure à 64 mm, sauf si l'herbe est clairsemée ou à la fin de l'automne quand la pousse commence à ralentir.
- Si l'herbe est haute de plus de 15 cm, effectuez un premier passage à vitesse réduite à la hauteur de coupe la plus haute. Effectuez ensuite un deuxième passage à une hauteur de coupe inférieure pour obtenir une coupe plus esthétique. L'herbe trop longue se dépose en paquets sur la pelouse et risque d'obstruer la machine et de faire caler le moteur.
- Alternez la direction de la tonte. Cela permet de disperser les déchets plus uniformément et d'obtenir une fertilisation plus homogène.

Si l'aspect de la pelouse tondue n'est pas satisfaisant, essayez une ou plusieurs des solutions suivantes :

- Aiguiser la lame.
- Tondez en avançant plus lentement.

- Augmentez la hauteur de coupe.
- Tondez plus souvent.
- Empiétez sur les passages précédents pour tondre une largeur de bande réduite.

Hachage des feuilles

- Après la tonte, 50 % de la pelouse doit être visible sous la couche de feuilles hachées. Vous devrez peut-être repasser plusieurs fois sur les feuilles.
- Si la couche de feuilles est mince, réglez toutes les roues à la même hauteur.
- Ralentissez la vitesse de tonte si les feuilles ne sont pas hachées assez menues.

Entretien

Remarque: Les côtés gauche et droit de la machine sont déterminés d'après la position d'utilisation normale.

Programme d'entretien recommandé

Périodicité d'entretien	Procédure d'entretien
Après les 8 premières heures de fonctionnement	<ul style="list-style-type: none">• Vidangez l'huile moteur.
Après les 25 premières heures de fonctionnement	<ul style="list-style-type: none">• Resserrez toutes les fixations qui en ont besoin.
À chaque utilisation ou une fois par jour	<ul style="list-style-type: none">• Contrôlez le niveau d'huile moteur.• Vérifiez régulièrement que la lame n'est pas usée ni endommagée.• Vérifiez l'état et l'usure de l'accélérateur.• Enlevez l'herbe coupée et les autres débris accumulés sous la machine.• Contrôlez le temps d'arrêt du frein de lame. La lame doit s'arrêter dans un délai de 3 secondes quand la barre de commande est relâchée. Si ce n'est pas le cas, faites réparer la machine chez un concessionnaire-réparateur agréé.• Contrôlez le serrage et la présence des fixations sur le moteur.• Recherchez d'éventuelles fuites de carburant ou d'huile.• Contrôlez ou nettoyez le démarreur à lanceur et la prise d'air.
Toutes les 25 heures	<ul style="list-style-type: none">• Nettoyez le préfiltre en mousse (plus souvent si l'atmosphère est très poussiéreuse).
Toutes les 40 heures	<ul style="list-style-type: none">• Nettoyez les roues et les engrenages.
Toutes les 50 heures	<ul style="list-style-type: none">• Vidangez l'huile moteur (plus fréquemment si l'environnement est poussiéreux).• Aiguissez ou remplacez la lame. Augmentez la fréquence d'entretien si le tranchant s'émousse rapidement sur les terrains irréguliers ou en présence de sable.
Toutes les 100 heures	<ul style="list-style-type: none">• Examinez, nettoyez et réglez l'écartement des électrodes la bougie ; remplacez la bougie au besoin• Resserrez toutes les fixations qui en ont besoin.• Contrôlez ou nettoyez le démarreur à lanceur et la prise d'air.
Toutes les 200 heures	<ul style="list-style-type: none">• Faites contrôler l'étanchéité du système d'alimentation et/ou l'état du flexible de carburant par un concessionnaire-réparateur de moteurs agréé. Remplacez les pièces au besoin.
Toutes les 300 heures	<ul style="list-style-type: none">• Remplacez l'élément en papier (plus souvent si l'atmosphère est très poussiéreuse).• Nettoyez le cylindre et les ailettes de la culasse.• Faites contrôler et régler le régime de ralenti par un concessionnaire-réparateur de moteurs agréé.• Faites nettoyer la chambre de combustion par un concessionnaire-réparateur de moteurs agréé.• Faites contrôler et régler le jeu aux soupapes par un concessionnaire-réparateur de moteurs agréé.• Faites contrôler et régler la surface du siège des soupapes par un concessionnaire-réparateur de moteurs agréé.

Important: Reportez-vous au manuel du propriétaire du moteur pour toutes procédures d'entretien supplémentaires.

▲ PRUDENCE

Si vous laissez la bougie branchée, quelqu'un pourrait mettre le moteur en marche et vous blesser gravement, ainsi que les personnes à proximité.

Débranchez le fil de la bougie avant de procéder à tout entretien. Écartez le fil pour éviter tout contact accidentel avec la bougie.

Entretien du moteur

Entretien du filtre à air

Périodicité des entretiens: Toutes les 25 heures—Nettoyez le préfiltre en mousse (plus souvent si l'atmosphère est très poussiéreuse).

Toutes les 300 heures—Remplacez l'élément en papier (plus souvent si l'atmosphère est très poussiéreuse).

Important: Ne faites pas tourner le moteur sans le filtre à air au complet, sous peine d'endommager gravement le moteur.

1. Coupez le moteur et attendez l'arrêt de toutes les pièces mobiles.
2. Débranchez le fil de la bougie.
3. Desserrez la vis sur le couvercle du filtre à air (Figure 20).

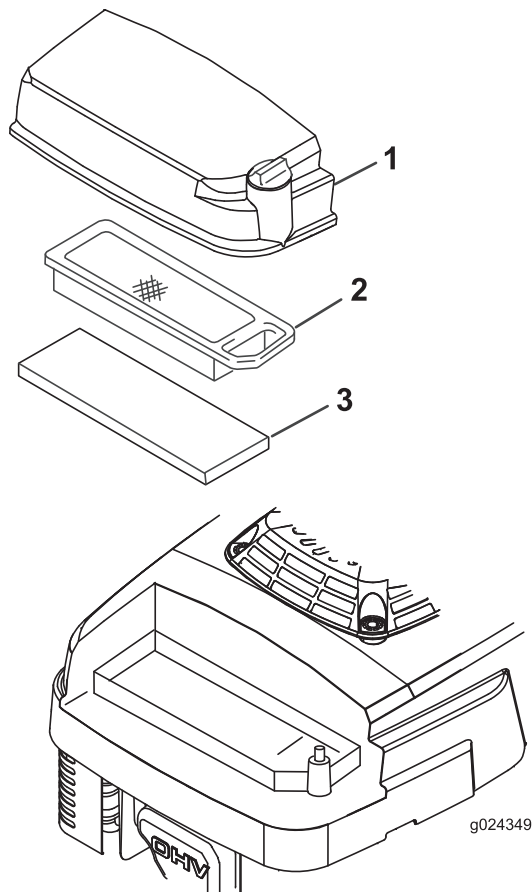


Figure 20

1. Couvercle du filtre à air
 2. Élément en papier du filtre à air
 3. Préfiltre en mousse
-
4. Déposez le couvercle et nettoyez-le soigneusement.
 5. Enlevez et examinez l'élément filtrant en papier (Figure 20) et remplacez-le s'il est excessivement encrassé.

Important: N'essayez pas de nettoyer l'élément en papier du filtre à air.

6. Enlevez le préfiltre en mousse (Figure 20) et nettoyez-le avec de l'eau et un détergent doux. Séchez-le ensuite en le serrant légèrement dans un chiffon.
7. Posez le préfiltre en mousse.
8. Posez l'élément en papier.
9. Reposez le couvercle et fixez-le à l'aide de la vis.

Vidange de l'huile moteur

Périodicité des entretiens: Après les 8 premières heures de fonctionnement

Toutes les 50 heures

1. Faites tourner le moteur pour réchauffer l'huile.

Remarque: L'huile chaude s'écoule plus facilement et entraîne plus d'impuretés.

⚠ ATTENTION

L'huile peut être chaude lorsque le moteur vient de tourner et peut causer des blessures graves au contact de la peau.

Évitez tout contact avec l'huile moteur chaude lors de la vidange.

2. Coupez le moteur et attendez l'arrêt de toutes les pièces mobiles.
3. Débranchez le fil de la bougie.
4. Vidangez le réservoir de carburant
5. Placez un bac de vidange suffisamment grand sous la jauge/l'orifice de vidange.
6. Nettoyez la surface autour du bouchon de remplissage.
7. Dévissez le bouchon et sortez la jauge.
8. Basculez la machine sur le côté **droit** (filtre à air en haut) pour vidanger l'huile dans le bac de vidange.
9. Redressez la machine lorsque la vidange d'huile est terminée.
10. Versez de l'huile fraîche dans le carter moteur jusqu'au repère maximum sur la jauge ; voir 3 Plein d'huile du carter moteur (page 10).
11. Insérez la jauge dans le goulot de remplissage et vissez fermement le bouchon dans le sens horaire.
12. Essuyez l'huile éventuellement répandue.
13. Recyclez l'huile vidangée conformément à la réglementation locale.

Entretien de la bougie

Périodicité des entretiens: Toutes les 100 heures—Examinez, nettoyez et réglez l'écartement des électrodes la bougie ; remplacez la bougie au besoin

Utilisez une bougie **NGK BPR5ES** ou équivalente.

1. Coupez le moteur et attendez l'arrêt de toutes les pièces mobiles.
2. Débranchez le fil de la bougie.
3. Nettoyez la surface autour de la bougie.
4. Retirez la bougie de la culasse.

Important: Remplacez la bougie si elle est fissurée, calaminée ou encrassée. Ne nettoyez pas les électrodes, car des particules risquent de tomber dans la culasse et d'endommager le moteur.

5. Réglez l'écartement des électrodes à 0,76 mm (Figure 21).

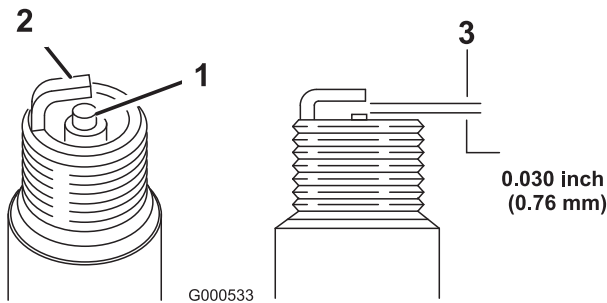


Figure 21

1. Bec isolant d'électrode centrale
2. Électrode latérale
3. Écartement (pas à l'échelle)

6. Posez et serrez la bougie à la main avec précaution (pour éviter de fausser le filetage).
7. Serrez la bougie à 23 N m.

Important: Si la bougie n'est pas serrée suffisamment, elle peut devenir très chaude et endommager le moteur, tandis que si elle est trop serrée, le filetage peut être endommagé dans la culasse.

8. Rebranchez le fil de la bougie.

Entretien du système d'entraînement

Réglage de l'autopropulsion

Remarque: Si la machine est neuve, ne se déplace pas automatiquement ou a tendance à avancer quand vous relâchez la barre de commande, réglez le câble de commande.

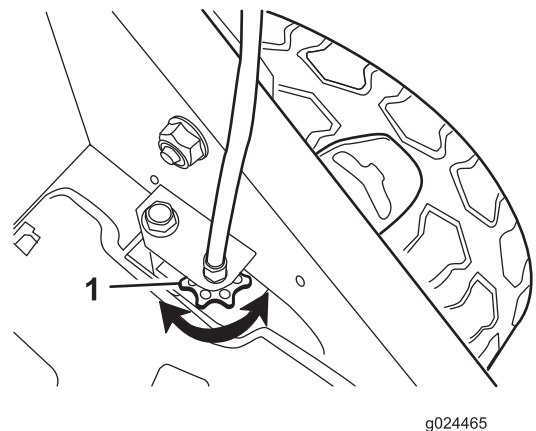
1. Amenez la machine à l'extérieur sur une surface revêtue, près d'un mur solide pour empêcher la machine d'avancer quand le moteur est en marche.
2. Positionnez la machine en appuyant les roues avant contre le mur.

Remarque: Assurez-vous que la zone est bien aérée et dégagée de tout débris que la machine pourrait happer et projeter.

3. Démarrez le moteur ; voir [Démarriage du moteur \(page 14\)](#).
4. Serrez la barre de commande d'autopropulsion contre le guidon.

Remarque: Les roues devraient commencer à tourner dès que la barre de commande touche le guidon.

5. Coupez le moteur.
6. Si un réglage de la machine est nécessaire, effectuez l'une des opérations suivantes :
 - Si les roues ne tournent pas quand vous engagez la barre de commande d'autopropulsion, la courroie de déplacement n'est pas assez tendue. Tournez une fois la molette de commande des roues (Figure 22) dans le sens horaire et répétez les opérations 3 à 5.



g024465

Figure 22

1. Molette de commande des roues

- Si les roues tournent quand vous engagez la barre de commande d'autopropulsion, la courroie de déplacement est trop tendue. Tournez une fois la

molette de commande des roues (Figure 22) dans le sens antihoraire et répétez les opérations 3 à 5.

7. Si la courroie de déplacement est neuve, tournez encore une fois la molette de commande des roues pour tenir compte de l'étirement de la courroie pendant la période de rodage.

Remarque: Vous pouvez omettre cette étape si vous ajustez une courroie usée.

Entretien de la lame

Entretien de la lame

Gardez toujours la lame bien affûtée. Une lame bien aiguisée assure une coupe nette, sans arracher ni déchiqueter l'herbe.

1. Coupez le moteur et attendez l'arrêt de toutes les pièces mobiles.
2. Débranchez le fil de la bougie.
3. Vidangez le réservoir de carburant
4. Basculez la machine sur le côté **droit** (filtre à air en haut), comme montré à la Figure 23.

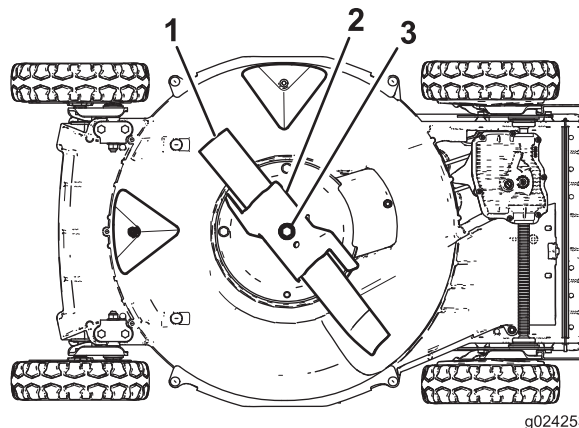


Figure 23

1. Lame
2. Accélérateur
3. Boulon et rondelle de blocage de la lame

Contrôle de la lame

Périodicité des entretiens: À chaque utilisation ou une fois par jour—Vérifiez régulièrement que la lame n'est pas usée ni endommagée.

Vérifiez soigneusement l'affûtage et l'usure de la lame, surtout au point de rencontre des parties planes et relevées (Figure 24A). Le sable et les matières abrasives peuvent éroder le métal à cet endroit, c'est pourquoi il est important de contrôler l'état de la lame avant d'utiliser la machine. Remplacez la lame si elle est usée ou présente une entaille (Figure 24B et Figure 24C) ; voir [Entretien de la lame](#) (page 21).

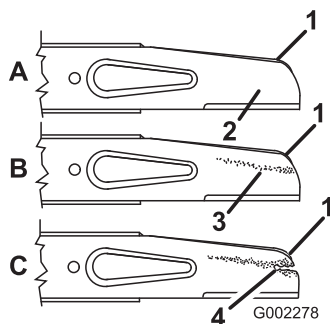


Figure 24

- | | |
|----------------------------|------------------------------|
| 1. Partie relevée | 3. Usure |
| 2. Partie plate de la lame | 4. Apparition d'une entaille |

Remarque: Pour obtenir des résultats optimaux, remplacez la lame au début de la saison de tonte. En cours de saison, limez les petites ébréchures pour conserver le tranchant.

⚠ DANGER

Une lame usée ou endommagée peut se briser et projeter le morceau cassé dans votre direction ou celle d'autres personnes, et infliger des blessures graves ou mortelles.

- Inspectez la lame régulièrement.
- Remplacez les lames usées ou endommagées.

Vérification de l'accélérateur

Périodicité des entretiens: À chaque utilisation ou une fois par jour—Vérifiez l'état et l'usure de l'accélérateur.

Vérifier avec attention si l'accélérateur présente une usure excessive (Figure 25). Le sable et les matières abrasives peuvent éroder le métal (surtout dans la zone indiquée par le repère 2 sur la Figure 25) ; pour cette raison, contrôlez l'accélérateur avant d'utiliser la machine. Si la patte de l'accélérateur est usée au point d'être coupante ou est fissurée, remplacez l'accélérateur ; voir [Vérification de l'accélérateur](#) (page 22).

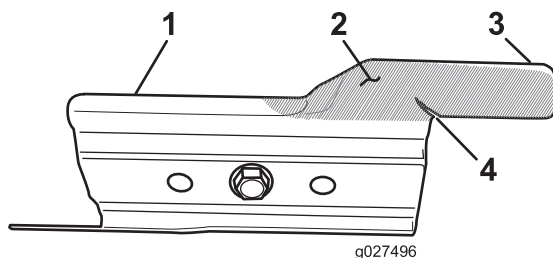


Figure 25

- | | |
|-----------------|----------------------------|
| 1. Accélérateur | 3. Patte |
| 2. Zone d'usure | 4. Formation d'une fissure |

⚠ ATTENTION

Un accélérateur usé ou endommagé peut se briser et projeter le morceau cassé dans votre direction ou celle d'autres personnes, et infliger des blessures graves ou mortelles.

- Vérifiez périodiquement l'état et l'usure de l'accélérateur.
- Remplacez l'accélérateur s'il est usé ou endommagé.

Dépose de la lame

1. Tenez la lame par son extrémité avec un chiffon ou un gant épais.
2. Enlevez le boulon de lame, la rondelle de blocage, l'accélérateur et la lame (Figure 24).

Aiguïsage de la lame

Périodicité des entretiens: Toutes les 50 heures—Aiguissez ou remplacez la lame. Augmentez la fréquence d'entretien si le tranchant s'émousse rapidement sur les terrains irréguliers ou en présence de sable.

Aiguissez le bord supérieur de la lame en veillant à conserver l'angle de coupe (Figure 26A) et le rayon intérieur (Figure 26B) d'origine du tranchant. Limez la même quantité de métal sur les deux tranchants pour ne pas déséquilibrer la lame.

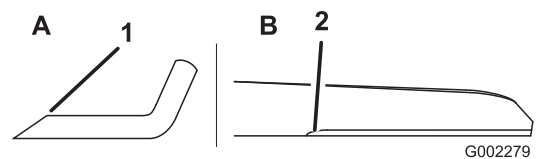


Figure 26

1. Aiguiser la lame à cet angle uniquement
2. Conserver ici le rayon d'origine

Équilibrage de la lame

1. Vérifiez l'équilibre de la lame en enfilant le trou central sur un clou ou la tige d'un tournevis serré horizontalement dans un étau (Figure 27).

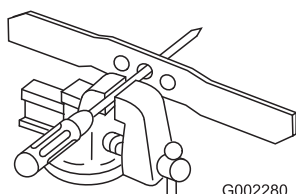


Figure 27

Remarque: Vous pouvez aussi utiliser un équilibreur de lame vendu dans le commerce.

2. Si l'une des extrémités de la lame s'abaisse, limez-la (mais pas le tranchant ni la partie située à côté du tranchant) jusqu'à ce que les deux extrémités de lame restent de niveau.

Pose de la lame

1. Installez une lame Toro équilibrée et bien affûtée, l'accélérateur, la rondelle de blocage et le boulon. La partie relevée de la lame doit être dirigée vers le haut du carter du plateau de coupe.

Remarque: Serrez le boulon de lame à 68 N·m.

⚠ ATTENTION

N'utilisez jamais la machine sans l'accélérateur de la lame, car celle-ci pourrait se plier, se tordre ou se briser et infliger des blessures graves ou mortelles à vous-même ou à d'autres personnes.

N'utilisez jamais la machine sans que l'accélérateur soit en place.

2. Redressez la machine à la position normale d'utilisation.

Nettoyage

Nettoyage du dessous de la machine

Pour obtenir des résultats optimaux, le dessous de la machine doit rester propre. Veillez particulièrement à débarrasser les kickers de tout débris (Figure 28).

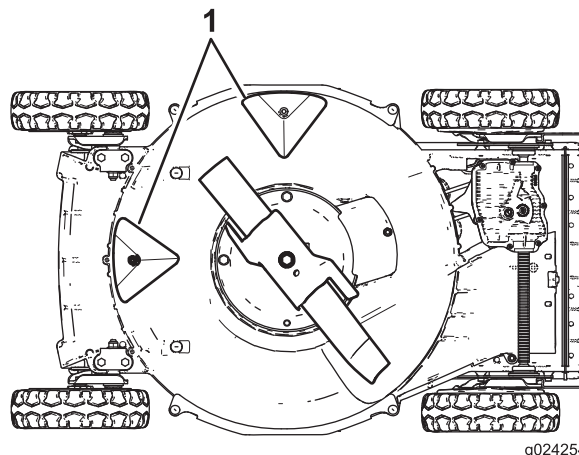


Figure 28

1. Kickers

Nettoyage au jet d'eau

Périodicité des entretiens: À chaque utilisation ou une fois par jour

⚠ ATTENTION

Des débris peuvent être délogés et éjectés de sous la machine.

- Portez des lunettes de protection.
 - Restez à la position d'utilisation (derrière le guidon) quand le moteur est en marche.
 - Ne laissez personne pénétrer dans la zone de travail.
1. Placez la machine sur une surface plane bétonnée ou asphaltée, à proximité d'un tuyau d'arrosage.
 2. Démarrez le moteur.
 3. Tenez le tuyau d'arrosage à hauteur du guidon et dirigez le jet d'eau vers le sol, juste devant la roue arrière droite (Figure 29).

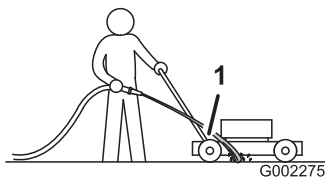


Figure 29

1. Roue arrière droite

Remarque: La lame en rotation aspire l'eau et nettoie les débris d'herbe accumulés. Laissez l'eau couler jusqu'à ce qu'il ne reste plus d'herbe sous la machine.

4. Coupez le moteur et attendez l'arrêt de toutes les pièces mobiles.
5. Coupez l'arrivée d'eau.
6. Mettez le moteur en marche et laissez-le tourner pendant quelques minutes pour sécher le dessous de la machine et ses composants.

Raclage

Si le lavage au jet d'eau ne parvient pas à débarrasser le dessous de la machine de tous les débris, raclez ceux qui restent.

1. Débranchez le fil de la bougie.
2. Vidangez le réservoir de carburant

⚠ ATTENTION

Lorsque vous basculez la machine, de l'essence peut s'échapper du carburateur ou du réservoir. L'essence est extrêmement inflammable et explosive et risque de causer des blessures corporelles ou des dégâts matériels dans certaines conditions.

Pour éviter de répandre de l'essence, laissez tourner le moteur jusqu'à ce qu'il s'arrête faute de carburant ou vidangez le réservoir avec une pompe manuelle ; ne siphonnez jamais le carburant.

3. Basculez la machine sur le côté **droit** (filtre à air en haut).
4. Enlevez les saletés et les débris d'herbe agglomérés à l'aide d'un racloir en bois. Prenez garde aux bavures et aux bords tranchants.
5. Redressez la machine à la position normale d'utilisation.
6. Rebranchez le fil de la bougie.

Nettoyage des roues

Périodicité des entretiens: Toutes les 40 heures

1. Déposez les roues arrière et enlevez les débris présents sur et autour des engrenages.

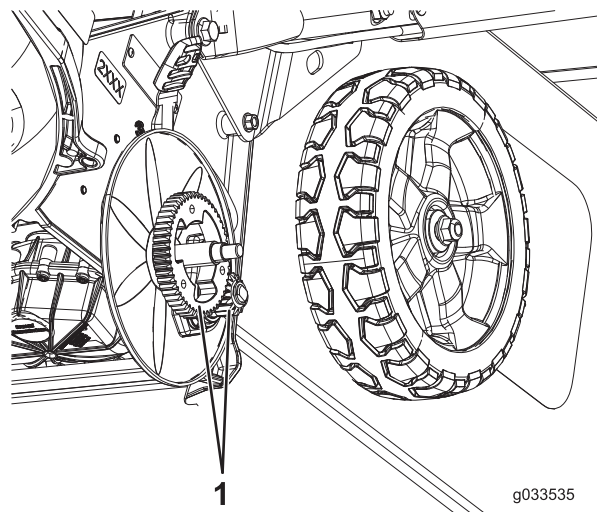


Figure 30

1. Engrenages

2. Après le nettoyage, appliquez une fine couche de produit antigrippant sur les engrenages.

Remarque: Si vous utilisez la machine dans des conditions extrêmes, nettoyez les roues plus fréquemment pour prolonger la vie des engrenages.

Remarque: Pour ne pas endommager les joints des roulements, n'utilisez pas un jet d'eau haute pression sur les roulements.

Remisage

Pour préparer la machine au remisage saisonnier, suivez les procédures d'entretien préconisées ; voir [Entretien \(page 18\)](#).

Remisez la machine dans un local frais, propre et sec. Couvrez la machine pour la garder propre et la protéger.

Préparation du système d'alimentation

⚠ ATTENTION

L'essence peut s'évaporer si vous la conservez trop longtemps ; les vapeurs de carburant risquent en outre d'exploser si elles rencontrent une flamme nue.

- Ne conservez pas l'essence trop longtemps.
- S'il reste du carburant dans le réservoir ou le carburateur, ne remisez pas la machine dans un local fermé où se trouve une flamme nue, telle la veilleuse d'un chauffe-eau ou d'une chaudière par exemple.
- Laissez refroidir le moteur avant de remiser la machine dans un local fermé.

Vidangez le réservoir de carburant après la dernière tonte, avant de remiser la machine.

1. Faites tourner le moteur jusqu'à ce qu'il s'arrête faute d'essence.
2. Actionnez le starter et remettez le moteur en marche.
3. Laissez tourner le moteur jusqu'à ce qu'il s'arrête. Le moteur est suffisamment sec lorsqu'il n'y a plus moyen de le faire démarrer.

Préparation du moteur

1. Vidangez le carter moteur quand le moteur est encore chaud ; voir [Vidange de l'huile moteur \(page 19\)](#).
2. Enlevez la bougie.
3. Au moyen d'une burette, versez environ 30 ml d'huile moteur dans le carter par le trou de la bougie.
4. Faites tourner le moteur lentement à plusieurs reprises en tirant sur le lanceur pour répartir l'huile dans le carter moteur.
5. Reposez la bougie, mais ne rebranchez **pas** le fil.

Informations générales

1. Nettoyez le dessous de la machine ; voir [Nettoyage du dessous de la machine \(page 23\)](#).
2. Enlevez les saletés et les débris d'herbe sèche sur le cylindre, les ailettes de refroidissement de la culasse et le carter du ventilateur.
3. Enlevez les déchets d'herbe, la saleté et la crasse sur les surfaces externes du moteur, du capot et du dessus du carter de la tondeuse.
4. Vérifiez l'état de la lame ; voir [Contrôle de la lame \(page 21\)](#).
5. Faites l'entretien du filtre à air ; voir [Entretien du filtre à air \(page 19\)](#).
6. Serrez tous les écrous, boulons et vis.
7. Retouchez tous les points de rouille et les surfaces éraflées avec de la peinture en vente chez les concessionnaires-réparateurs agréés.

Remise en service après remisage

1. Contrôlez et resserrez toutes les fixations.
2. Déposez la bougie et faites tourner le moteur rapidement à l'aide du lanceur pour éliminer l'excédent d'huile dans le cylindre.
3. Nettoyez ou remplacez la bougie si elle est fendue, cassée ou si les électrodes sont usées.
4. Reposez la bougie ; voir [Entretien de la bougie \(page 20\)](#).
5. Procédez aux entretiens requis ; voir [Entretien \(page 18\)](#).
6. Remplissez le réservoir d'essence fraîche.
7. Contrôlez le niveau d'huile moteur.
8. Rebranchez le fil de la bougie.

Dépistage des défauts

Problème	Cause possible	Mesure corrective
Le moteur ne démarre pas.	<ol style="list-style-type: none"> 1. Le réservoir de carburant est vide ou le circuit d'alimentation contient du carburant qui n'est pas frais. 2. La commande d'accélérateur ne se trouve pas à la position Starter. 3. Le fil de la bougie n'est pas branché. 4. La bougie est piquée ou encrassée, ou l'écartement des électrodes est incorrect. 	<ol style="list-style-type: none"> 1. Vidangez le réservoir d'essence et/ou remplissez-le d'essence fraîche. Si le problème persiste, consultez un concessionnaire-réparateur agréé. 2. Amenez la commande d'accélérateur en position Starter. 3. Rebranchez le fil de la bougie. 4. Contrôlez la bougie et réglez l'écartement des électrodes au besoin. Remplacez la bougie si elle est piquée, encrassée ou fissurée.
Le moteur démarre difficilement ou perd de la puissance.	<ol style="list-style-type: none"> 1. Le réservoir de carburant contient du carburant qui n'est pas frais. 2. L'élément filtrant est encrassé ce qui limite le débit d'air. 3. Des déchets d'herbe coupée et autres débris sont agglomérés sous le carter de la tondeuse. 4. La bougie est piquée ou encrassée, ou l'écartement des électrodes est incorrect. 5. Le niveau d'huile moteur est insuffisant ou l'huile est encrassée. 	<ol style="list-style-type: none"> 1. Vidangez le réservoir de carburant et remplissez-le d'essence neuve. 2. Nettoyez le préfiltre du filtre à air et/ou remplacez l'élément en papier. 3. Nettoyez le dessous du carter de la tondeuse. 4. Contrôlez la bougie et réglez l'écartement des électrodes au besoin. Remplacez la bougie si elle est piquée, encrassée ou fissurée. 5. Contrôlez le niveau d'huile moteur. Changez l'huile si elle est encrassée ou faites l'appoint si le niveau est insuffisant.
Le moteur ne tourne pas régulièrement.	<ol style="list-style-type: none"> 1. Le fil de la bougie n'est pas branché. 2. La bougie est piquée ou encrassée, ou l'écartement des électrodes est incorrect. 3. La commande d'accélérateur ne se trouve pas en position haut régime. 4. L'élément filtrant est encrassé ce qui limite le débit d'air. 	<ol style="list-style-type: none"> 1. Rebranchez le fil de la bougie. 2. Contrôlez la bougie et réglez l'écartement des électrodes au besoin. Remplacez la bougie si elle est piquée, encrassée ou fissurée. 3. Placez la commande d'accélérateur à la position haut régime. 4. Nettoyez le préfiltre du filtre à air et/ou remplacez l'élément en papier.
La machine ou le moteur vibre excessivement.	<ol style="list-style-type: none"> 1. La lame est faussée ou déséquilibrée. 2. Les écrous de fixation de la lame sont desserrés. 3. Le dessous de la machine comporte des déchets d'herbe coupée et autres débris. 4. Les boulons de fixation du moteur sont desserrés. 	<ol style="list-style-type: none"> 1. Équilibrez la lame. Remplacez la lame si elle est faussée. 2. Serrez les écrous de fixation de la lame. 3. Nettoyez le dessous de la machine. 4. Resserrez les boulons de fixation du moteur.
La tonte n'est pas uniforme.	<ol style="list-style-type: none"> 1. Les quatre roues ne sont pas à la même hauteur. 2. La lame est émoussée. 3. Vous tondez en suivant le même parcours chaque fois. 4. Le dessous de la machine comporte des déchets d'herbe coupée et autres débris. 	<ol style="list-style-type: none"> 1. Réglez les 4 roues à la même hauteur. 2. Affûtez et équilibrez la lame. 3. Changez le parcours de la tondeuse. 4. Nettoyez le dessous de la machine.

Problème	Cause possible	Mesure corrective
La goulotte d'éjection est bouchée.	<ol style="list-style-type: none"> 1. La commande d'accélérateur ne se trouve pas en position haut régime. 2. La hauteur de coupe est trop basse. 3. Vous tondez trop vite. 4. L'herbe est humide. 5. Le dessous de la machine comporte des déchets d'herbe coupée et autres débris. 	<ol style="list-style-type: none"> 1. Placez la commande d'accélérateur à la position haut régime. 2. Augmentez la hauteur de coupe. 3. Ralentissez. 4. Attendez que l'herbe soit sèche avant de tondre. 5. Nettoyez le dessous de la machine.
La machine n'avance pas automatiquement.	<ol style="list-style-type: none"> 1. Le câble de commande d'autopropulsion est déréglé ou endommagé. 2. Des débris sont agglomérés sous le couvercle de la courroie. 	<ol style="list-style-type: none"> 1. Réglez le câble de commande d'autopropulsion. Remplacez le câble au besoin. 2. Enlevez les débris sous le couvercle de la courroie.

Remarques:

Liste des distributeurs internationaux

Distributeur :	Pays :	Numéro de téléphone :	Distributeur :	Pays :	Numéro de téléphone :
Agrolanc Kft	Hongrie	36 27 539 640	Maquiver S.A.	Colombie	57 1 236 4079
Balama Prima Engineering Equip.	Hong Kong	852 2155 2163	Maruyama Mfg. Co. Inc.	Japon	81 3 3252 2285
B-Ray Corporation	Corée	82 32 551 2076	Mountfield a.s.	République tchèque	420 255 704 220
Casco Sales Company	Porto Rico	787 788 8383	Mountfield a.s.	Slovaquie	420 255 704 220
Ceres S.A.	Costa Rica	506 239 1138	Munditol S.A.	Argentine	54 11 4 821 9999
CSSC Turf Equipment (pvt) Ltd.	Sri Lanka	94 11 2746100	Norma Garden	Russie	7 495 411 61 20
Cyril Johnston & Co.	Irlande du Nord	44 2890 813 121	Oslinger Turf Equipment SA	Équateur	593 4 239 6970
Cyril Johnston & Co.	République d'Irlande	44 2890 813 121	Oy Hako Ground and Garden Ab	Finlande	358 987 00733
Equiver	Mexique	52 55 539 95444	Parkland Products Ltd.	Nouvelle-Zélande	64 3 34 93760
Femco S.A.	Guatemala	502 442 3277	Perfetto	Pologne	48 61 8 208 416
ForGarder OU	Estonie	372 384 6060	Pratoverde SRL.	Italie	39 049 9128 128
G.Y.K. Company Ltd.	Japon	81 726 325 861	Prochaska & Cie	Autriche	43 1 278 5100
Geomechaniki of Athens	Grèce	30 10 935 0054	RT Cohen 2004 Ltd.	Israël	972 986 17979
Golf international Turizm	Turquie	90 216 336 5993	Riversa	Espagne	34 9 52 83 7500
Guandong Golden Star	Chine	86 20 876 51338	Lely Turfcare	Danemark	45 66 109 200
Hako Ground and Garden	Suède	46 35 10 0000	Solvvert S.A.S.	France	33 1 30 81 77 00
Hako Ground and Garden	Norvège	47 22 90 7760	Spypros Stavrinides Limited	Chypre	357 22 434131
Hayter Limited (U.K.)	Royaume-Uni	44 1279 723 444	Surge Systems India Limited	Inde	91 1 292299901
Hydroturf Int. Co Dubai	Émirats Arabes Unis	97 14 347 9479	T-Markt Logistics Ltd.	Hongrie	36 26 525 500
Hydroturf Egypt LLC	Egypte	202 519 4308	Toro Australia	Australie	61 3 9580 7355
Irrimac	Portugal	351 21 238 8260	Toro Europe NV	Belgique	32 14 562 960
Irrigation Products Int'l Pvt Ltd.	Inde	0091 44 2449 4387	Valtech	Maroc	212 5 3766 3636
Jean Heybroek b.v.	Pays-Bas	31 30 639 4611	Victus Emak	Pologne	48 61 823 8369

Déclaration de confidentialité européenne

Les renseignements recueillis par Toro

Toro Warranty Company (Toro) respecte votre vie privée. Pour nous permettre de traiter votre réclamation au titre de la garantie et de vous contacter dans l'éventualité d'un rappel de produit, nous vous prions de nous communiquer certains renseignements personnels, soit directement soit par l'intermédiaire de votre société ou concessionnaire Toro local.

Le système de garantie de Toro est hébergé sur des serveurs situés aux États-Unis où la loi relative à la protection de la vie privée n'offre pas forcément la même protection que dans votre pays.

EN NOUS FOURNISSANT DES RENSEIGNEMENTS PERSONNELS, VOUS CONSENTEZ À CE QUE NOUS TRAITIONS VOS RENSEIGNEMENTS PERSONNELS COMME DÉCRIT DANS CET AVIS DE CONFIDENTIALITÉ.

L'utilisation des renseignements par Toro

Toro peut utiliser vos renseignements personnels pour traiter vos réclamations au titre de la garantie et vous contacter dans l'éventualité d'un rappel de produit, ainsi que pour vous communiquer toute information nécessaire. Toro pourra partager les renseignements personnels que vous lui aurez communiqués avec les filiales, concessionnaires ou autres associés Toro en rapport avec ces activités. Nous ne vendrons vos renseignements personnels à aucune autre société. Nous nous réservons le droit de divulguer des renseignements personnels afin de satisfaire aux lois applicables et aux demandes des autorités concernées, pour assurer l'utilisation correcte de nos systèmes ou votre protection et celle d'autres usagers.

Conservation de vos renseignements personnels

Nous conserverons vos renseignements personnels uniquement pendant la durée nécessaire pour répondre aux fins pour lesquelles nous les avons collectés ou autres fins légitimes (comme la conformité réglementaire), ou conformément à la loi en vigueur.

Engagement de Toro relatif à la sécurité de vos renseignements personnels

Nous prenons toutes les précautions raisonnables pour protéger la sécurité de vos renseignements personnels. Nous prenons également les mesures nécessaires pour que vos renseignements personnels restent exacts et à jour.

Consultation et correction de vos renseignements personnels

Si vous souhaitez vérifier ou corriger vos renseignements personnels, veuillez nous contacter par courriel à legal@toro.com.

Droits des consommateurs australiens

Les clients australiens trouveront les détails relatifs aux droits des consommateurs australiens soit à l'intérieur de l'emballage soit chez leur concessionnaire Toro local.



Conditions et produits couverts

The Toro Company et sa filiale, Toro Warranty Company, en vertu de l'accord passé entre elles, s'engagent conjointement auprès de l'acheteur d'origine à réparer les produits Toro ci-dessous s'ils présentent un défaut de fabrication ou de matériau.

Durées de garantie à partir de la date d'achat par le propriétaire d'origine :

Produits	Période de garantie
Tondeuses autotractées	
Tondeuses de 53 cm – Usage résidentiel ¹	2 ans
Tondeuses de 53 cm – Usage commercial	1 an
Tondeuses de 76 cm – Usage résidentiel ¹	2 ans
Tondeuses de 76 cm – Usage commercial	1 an
Tondeuses autotractées de taille moyenne	2 ans
• Moteur	2 ans ²
Tondeuses GrandStand [®]	5 ans ou 1 200 heures ³
• Moteur	2 ans
• Cadre	À vie (propriétaire d'origine uniquement) ⁴
Tondeuses Z Master [®] 2000 Series	4 ans ou 500 heures ³
• Moteur	2 ans ²
• Cadre	À vie (propriétaire d'origine uniquement) ⁴
Tondeuses Z Master [®] 3000 Series	5 ans ou 1 200 heures ³
• Moteur	2 ans ²
• Cadre	À vie (propriétaire d'origine uniquement) ⁴
Tondeuses Z Master [®] 5000 et 6000 Series	5 ans ou 1 200 heures ³
• Moteur	2 ans ²
• Cadre	À vie (propriétaire d'origine uniquement) ⁴
Tondeuses Z Master [®] 7000 Series	5 ans ou 1 200 heures ³
• Moteur	2 ans ²
• Cadre	À vie (propriétaire d'origine uniquement) ⁴
Toutes tondeuses	
• Batterie	2 ans
• Accessoires	2 ans

¹L'usage résidentiel désigne l'utilisation du produit sur le terrain où se trouve votre domicile. L'utilisation dans d'autres lieux est considérée comme un usage commercial, couvert par la garantie limitée pour usage commercial.

²Certains moteurs utilisés sur les produits Toro LCE sont garantis par le constructeur du moteur.

³Selon la première échéance.

⁴Garantie à vie du châssis – Si le châssis principal, qui est constitué de pièces soudées ensemble pour former la structure du tracteur et sur lequel sont fixés d'autres composants, comme le moteur, se fissure ou est cassé pendant l'utilisation normale, il sera réparé ou remplacé gratuitement dans le cadre de la garantie, pièces et main-d'œuvre comprises. Toute défaillance du cadre causée par un usage incorrect ou abusif et toute défaillance ou réparation requise pour cause de rouille ou de corrosion n'est pas couverte.

Cette garantie couvre le coût des pièces et de la main-d'œuvre, mais le transport est à votre charge.

Comment faire intervenir la garantie

Si vous pensez que votre produit Toro présente un vice de matériau ou de fabrication, procédez comme suit :

1. Demandez à votre revendeur de prendre en charge votre produit. Si pour une raison quelconque il vous est impossible de contacter votre revendeur, vous pouvez vous adresser à n'importe quel concessionnaire Toro agréé pour l'entretien de votre produit.
2. Lorsque vous vous rendez chez le concessionnaire-réparateur, apportez le produit et une preuve d'achat (reçu).
3. Si, pour une raison quelconque, vous n'êtes pas satisfait du diagnostic de votre réparateur ou des conseils prodigués, n'hésitez pas à nous contacter à l'adresse suivante :

RLC Customer Care Department

Toro Warranty Company

8111 Lyndale Avenue South

Bloomington, MN 55420-1196, États-Unis

001-952-948-4707

Consultez la liste des distributeurs jointe.

Responsabilités du propriétaire

L'entretien de votre produit Toro doit être conforme aux procédures décrites dans le *Manuel de l'utilisateur*. Cet entretien courant est à vos frais, qu'il soit effectué par vous-même ou par un concessionnaire-réparateur.

Ce que la garantie ne couvre pas

Il n'existe aucune autre garantie expresse, à part la garantie spéciale du système antipollution et du moteur pour certains produits. Cette garantie expresse ne couvre pas :

- Les frais normaux d'entretien et de remplacement de pièces, telles que les filtres, le carburant, les lubrifiants, les changements d'huile, les bougies, les filtres à air, l'affûtage des lames, les lames usées, le réglage des câbles/de la tringlerie ou le réglage des freins et de l'embrayage.
- Défaillance des composants due à une usure normale
- Les produits ou pièces ayant fait l'objet de modifications, d'un usage abusif ou de négligence, et nécessitant un remplacement ou une réparation en raison d'un accident ou d'un défaut d'entretien.
- Les frais de prise à domicile et de livraison.
- Les réparations ou tentatives de réparation par quiconque autre qu'un concessionnaire-réparateur Toro agréé.
- Les réparations requises en raison du non respect de la procédure recommandée relative au carburant (consultez le *Manuel de l'utilisateur* pour plus de détails)
 - La décontamination du système d'alimentation n'est pas couverte
 - L'utilisation de carburant trop ancien (vieux de plus d'un mois) ou de carburant contenant plus de 10 % d'éthanol ou plus de 15 % de MTBE
 - L'omission de la vidange du système d'alimentation avant toute période de non utilisation de plus d'un mois

Conditions générales

L'acheteur est couvert par la législation nationale de chaque pays. Les droits de l'acheteur, soutenus par la législation, ne sont pas limités par la présente garantie.

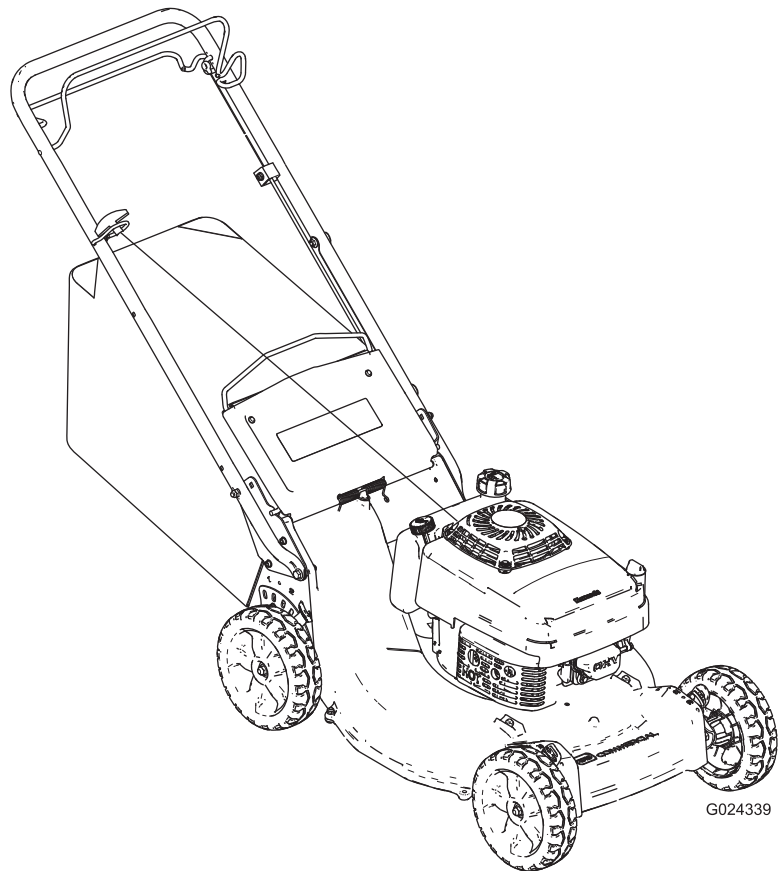


Count on it.

Gebruikershandleiding

**Zwaar uitgevoerde gazon-
maaier van 53 cm met Recy-
cler[®]/grasvanger**

Modelnr.: 22291—Serienr.: 316000001 en hoger



Dit product voldoet aan alle relevante Europese richtlijnen. Zie voor details de aparte productspecifieke conformiteitsverklaring.

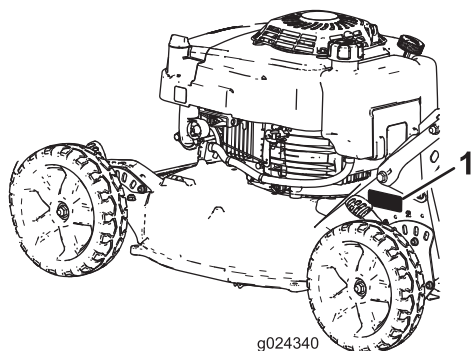
Inleiding

Deze loopmaaier met draaiende messen is bedoeld voor gebruik door particulieren of professionele bestuurders. De machine is voornamelijk ontworpen voor het maaien van gras op goed onderhouden particuliere of commerciële gazons. De machine is niet ontworpen voor het maaien van borstelig gras of voor gebruik in de landbouw.

Lees deze informatie zorgvuldig zodat u weet hoe u het product op de juiste wijze moet gebruiken en onderhouden, en hoe u letsel en materiële schade kunt voorkomen. U bent verantwoordelijk voor het juiste en veilige gebruik van de machine.

U kunt rechtstreeks contact opnemen met Toro via www.Toro.com voor informatie over producten en accessoires, om een dealer te vinden of om uw product te registreren.

Als u service, originele Toro-onderdelen of aanvullende informatie nodig hebt, kunt u contact opnemen met een erkende Service Dealer of met de klantenservice van Toro. U dient hierbij altijd het modelnummer en het serienummer van uw machine te vermelden. De locatie van het plaatje met het modelnummer en het serienummer van het product is aangegeven op [Figuur 1](#). U kunt de nummers noteren in de ruimte hieronder.



Figuur 1

1. Plaatje met modelnummer en serienummer

Modelnr.: _____
Serienr.: _____

Er worden in deze handleiding een aantal mogelijke gevaren en een aantal veiligheidsberichten genoemd ([Figuur 2](#)) met de

volgende veiligheidssymbolen, die duiden op een gevaarlijke situatie die zwaar lichamelijk letsel of de dood tot gevolg kan hebben wanneer de veiligheidsvoorschriften niet in acht worden genomen.



Figuur 2

1. Veiligheidssymbool

Er worden in deze handleiding twee woorden gebruikt om uw aandacht op bijzondere informatie te vestigen. **Belangrijk** attendeert u op bijzondere technische informatie en **Opmerking** duidt algemene informatie aan die bijzondere aandacht verdient.

Nettokoppel

Het bruto- en nettokoppel van deze motor is door de motorfabrikant in laboratoriumomstandigheden gemeten volgens standaard J1940 van de Society of Automotive Engineers (SAE). Omdat bij de configuratie rekening is gehouden met de veiligheids- en gebruiksvoorschriften, zal dit type maaiers in de praktijk een veel lager motorkoppel hebben.

Inhoud

Veiligheid	3
Algemene veiligheidsregels met betrekking tot de maaimachine	3
Geluidsdruk	5
Geluidsniveau	5
Hand-armtrillingen	5
Veiligheids- en instructiestickers	6
Montage	8
1 De handgreep bevestigen	8
2 Het startkoord monteren	10
3 Het carter met olie bijvullen	10
4 Zelfaandrijving afstellen	11
5 Grasvanger monteren	11
Algemeen overzicht van de machine	12
Specificaties	12
Gebruiksaanwijzing	13
Het motoroliepeil controleren	13
De brandstoftank vullen met benzine	13
De maaihoogte instellen	14
De motor starten	14
Motor afzetten	15
De zelfaandrijving bedienen	15
Maaisel recyclen	15
Het maaisel opvangen	15
Tips voor bediening en gebruik	16
Onderhoud	18
Aanbevolen onderhoudsschema	18
Onderhoud motor	19
Onderhoud van het luchtfilter	19
Motorolie verversen	19
Onderhoud van de bougie	20
Onderhoud aandrijfsysteem	20
Zelfaandrijving afstellen	20
Onderhoud van maaimessen	21
Onderhoud van het maimes	21
Reiniging	23
De onderkant van de machine reinigen	23
Schoonmaken van de wielen	24
Stalling	25
Het brandstofsysteem gebruiksklaar maken	25
De motor gebruiksklaar maken	25
Algemene informatie	25
De maaimachine uit de stalling halen	25
Problemen, oorzaak en remedie	26

Veiligheid

Deze machine is ontworpen in overeenstemming met de EN-norm ISO 5395:2013.

Onjuist gebruik of onderhoud van deze machine kan letsel tot gevolg hebben. Houd u aan deze veiligheidsinstructies om het risico op letsel te verminderen.

Het is essentieel dat u en eventuele andere gebruikers van de maaier de inhoud van deze handleiding lezen en begrijpen voordat de motor voor het eerst wordt gestart. Zo garandeert u maximale veiligheid en de beste prestaties en doet u kennis over het product op. Let met name op het symbool voor veiligheidswaarschuwingen (**Figuur 2**) dat Voorzichtig, Waarschuwing of Gevaar kan betekenen. Zorg dat u de instructies leest en begrijpt, dit is belangrijk voor de veiligheid. Niet-naleving van de instructie kan leiden tot lichamelijk letsel.

Algemene veiligheidsregels met betrekking tot de maaimachine

Deze maaimachine kan handen of voeten amputeren en voorwerpen uitwerpen. Als u de veiligheidsinstructies niet opvolgt, kan dit leiden tot ernstig of dodelijk letsel.

Instructie

- Lees deze handleiding aandachtig door. Zorg ervoor dat u vertrouwd raakt met bedieningsorganen en weet hoe u de machine moet gebruiken.
- Laat nooit kinderen of personen die de instructies niet kennen, de machine gebruiken. Voor de bestuurder kan een wettelijke minimumleeftijd gelden.
- Onthoud dat de bestuurder verantwoordelijk is voor ongevallen of schade aan andere personen of hun eigendommen.
- Zorg ervoor dat u alle pictogrammen op de machine of in de instructies begrijpt.

Benzine

WAARSCHUWING: brandstof is licht ontvlambaar. Neem de volgende voorzorgsmaatregelen.

- Bewaar brandstof uitsluitend in tanks of blikken die speciaal daarvoor bedoeld zijn.
- Vul de brandstoftank nooit binnenshuis; tijdens het bijvullen niet roken.
- Vul brandstof bij voordat u de motor start. Verwijder nooit de dop van de brandstoftank en vul nooit benzine bij wanneer de motor loopt of heet is.
- Als er brandstof gemorst mag u de motor niet aanzetten, maar dient u eerst de maaimachine verplaatsen. Zorg ervoor dat er geen ontstekingsbronnen in de buurt van

de gemorste brandstof komen totdat alle benzinedampen verdwenen zijn.

- Doe steeds de dop weer zorgvuldig op brandstoftanks en -containers.

Vóór ingebruikname

- Draag tijdens het maaien altijd een lange broek en stevige schoenen met een gripvaste zool. Draag geen schoenen met open tenen en loop niet op blote voeten.
- Inspecteer eerst grondig het terrein waar u de machine wilt gebruiken en verwijder alle stenen, takken, draden, botten of andere vreemde voorwerpen.
- Controleer vóór gebruik altijd of de beschermplaten en veiligheidsvoorzieningen zoals grasgeleiders en grasvangers, op hun plaats zitten en naar behoren werken.
- Controleer vóór het gebruik de messen, bevestigingsbouten en het maaimechanisme altijd op sporen van slijtage of beschadiging. Vervang versleten of beschadigde messen en bouten altijd als complete set om een goede balans te behouden.

Starten

- Houd de maaimachine niet schuin als u de motor aanzet, behalve als u de machine schuin moet houden om te starten. Houd de machine in dat geval niet schuiner dan nodig is, en til alleen de zijde op die het verst van u verwijderd is.
- Houd u bij het starten van de motor zorgvuldig aan de voorschriften en houd uw voeten uit de buurt van de maaimes(sen) en niet vóór de afvoeropening.

Bediening

- Houd iedereen weg uit het gebied waarin u de machine gebruikt, met name kinderen en huisdieren.
- Maai uitsluitend bij daglicht of goed kunstlicht.
- Let op kuilen in het terrein en andere verborgen gevaren.
- Houd handen en voeten uit de buurt van draaiende onderdelen. Blijf altijd uit de buurt van de afvoeropening.
- U mag een maaimachine nooit optillen of dragen terwijl de motor loopt.
- Ga zeer voorzichtig te werk als u een loopmaaier achteruitrijdt of naar u toetrekt.
- Wandelen, nooit rennen.
- Hellingen:
 - Maai niet op al te steile hellingen.
 - Wees uiterst voorzichtig op hellingen.
 - Maai dwars over een helling, nooit helling op en af, en wees uiterst voorzichtig als u op een helling van richting verandert.
 - Zorg dat u op hellingen altijd stevig staat.
- Verminder de snelheid op een helling en in een scherpe bocht om te voorkomen dat de machine omkantelt of dat u de controle over de machine verliest.

- Zet het maaimes stil als u de machine schuin moet houden, bijvoorbeeld voor transport, bij het oversteken van een oppervlak zonder gras, en bij het vervoer van en naar het te maaien terrein.
- Laat de motor nooit in een afgesloten ruimte lopen, omdat zich daar giftige koolmonoxidestoffen en andere uitlaatgassen kunnen verzamelen.
- Zet de motor af
 - elke keer als u de machine verlaat.
 - voordat u brandstof bijvult.
 - voordat u de grasvanger verwijdert.
 - voordat u de hoogte anders instelt, tenzij instelling mogelijk is vanuit de bestuurderspositie.
- Zet de motor af en maak de bougiekabel los:
 - voordat u verstoppingen losmaakt of het uitwerpkanaal ontstopt.
 - voordat u de machine gaat controleren, schoonmaken of andere werkzaamheden gaat uitvoeren.
 - als u een vreemd voorwerp heeft geraakt, moet u de maaimachine op beschadigingen controleren en reparaties uitvoeren voordat u de machine opnieuw start en weer in gebruik neemt.
 - controleer de machine onmiddellijk als deze abnormaal begint te trillen.
- Bliksem kan ernstig of dodelijk letsel veroorzaken. Als u bliksem ziet of donder hoort in het gebied, gebruik de machine dan niet; ga schuilen.
- Let op het verkeer als u in de buurt van een weg werkt of deze oversteekt.

Onderhoud en opslag

- Draai alle moeren, bouten en schroeven regelmatig strak aan, zodat de machine steeds veilig kan worden gebruikt.
- Gebruik geen hoge druk om de machine te reinigen.
- Als er zich brandstof in de tank bevindt, mag u de machine niet opslaan in een afgesloten ruimte waar brandstofdampen in contact kunnen komen met open vuur of vonken.
- Laat de motor afkoelen voordat u de machine in een afgesloten ruimte opslaat.
- Om het risico van brand te verminderen, moet u de motor, de geluiddemper, het accucompartiment en de benzinetank vrij van gras, bladeren of overtollig vet houden.
- U moet de onderdelen van de grasvanger en de afvoergeleider veelvuldig controleren en, indien nodig, vervangen door onderdelen die de fabrikant heeft aanbevolen.
- Vervang versleten of beschadigde onderdelen met het oog op een veilig gebruik.
- Vervang geluiddempers die gebreken vertonen.
- Als het nodig is de brandstoftank af te tappen, doe dit dan buiten.

- Verander de instellingen van de motor niet en voorkom overbelasting van de motor. Laat de motor niet met een te hoog toerental lopen omdat dit de kans op ongevallen kan vergroten.
- Wees voorzichtig als u de machine afstelt, teneinde te voorkomen dat uw vingers bekneld raken tussen de draaiende messen en de vaste onderdelen van de machine.
- **Om de beste prestaties en een veilig gebruik te verzekeren, dient u uitsluitend originele Toro-onderdelen en accessoires te gebruiken. Gebruik nooit universele onderdelen en accessoires; deze kunnen de veiligheid in gevaar brengen.**

De gemeten waarden zijn bepaald volgens de procedures in EN ISO 5395:2013.

⚠ VOORZICHTIG

Langdurige blootstelling aan trillingen tijdens het gebruik van de machine kan enige stijfheid van de handen en polsen veroorzaken.

Draag trillingsdempende handschoenen als u de machine langdurig gebruikt.

De machine transporteren

- Wees voorzichtig als u de machine inlaadt op een aanhanger of een vrachtwagen of uitlaadt.
- Gebruik een oprijplaat van volledige breedte bij het laden van de machine op een aanhanger of vrachtwagen.
- Zet de machine goed vast met spanbanden, kettingen, kabels of touwen. Zowel de voorste als de achterste spanband moet naar beneden en naar de buitenkant van de machine lopen.

Geluidsdruk

Deze machine oefent een geluidsdruk van 88 dBA uit op het gehoor van de gebruiker, met een onzekerheidswaarde (K) van 1 dBA.

De geluidsdruk is vastgesteld volgens de procedures in EN ISO 5395:2013.

Geluidsniveau

Deze machine heeft een gegarandeerd geluidsniveau van 98 dBA uit met een onzekerheidswaarde (K) van 1 dBA.

Het geluidsniveau is vastgesteld volgens de procedures in ISO 11094.

⚠ VOORZICHTIG

Langdurige blootstelling aan lawaai tijdens het gebruik van de machine kan enig gehoorverlies veroorzaken.

Draag geschikte oorbescherming als u de machine langdurig gebruikt.

Hand-armtrillingen

Gemeten trillingsniveau op de linkerhand = 2,3 m/s²

Gemeten trillingsniveau op de rechterhand = 2,7 m/s²

Onzekerheidswaarde (K) = 1,4 m/s²

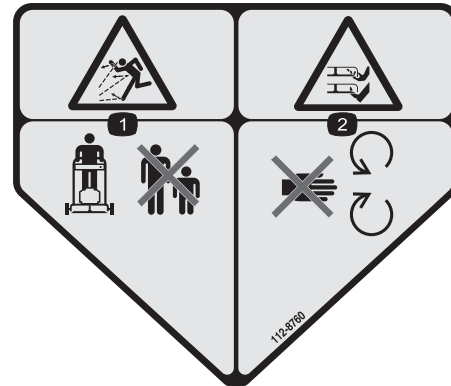
Veiligheids- en instructiestickers

Belangrijk: Veiligheidsstickers en veiligheidsinstructies bevinden zich bij plaatsen waar gevaar kan ontstaan. Vervang beschadigde stickers.



Merktken van fabrikant

1. Geeft aan dat het mes onderdeel van een originele Toro-maaimachine is.



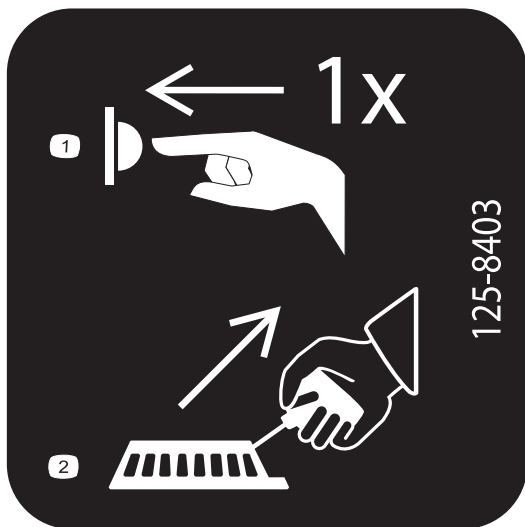
112-8760

1. De machine kan voorwerpen uitwerpen – Houd omstanders op een veilige afstand van de machine.
2. Handen of voeten kunnen worden gesneden/geamputeerd – Blijf uit de buurt van bewegende onderdelen.



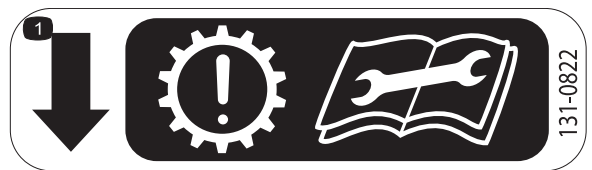
116-7583

1. Waarschuwing – Lees de *Gebruikershandleiding*, gebruik deze machine uitsluitend als u hierin getraind bent.
2. De machine kan voorwerpen uitwerpen – Houd omstanders op een veilige afstand van de machine.
3. De maaimachine kan voorwerpen uitwerpen – gebruik de machine niet zonder de afsluiter van de achterafvoer of de grasvanger.
4. Gevaar voor het afsnijden van handen en voeten – blijf uit de buurt van bewegende delen, houd alle guards op hun plaats.
5. Waarschuwing – Draag gehoorbescherming.
6. Handen of voeten kunnen worden gesneden/geamputeerd door het maaimes – maai nooit heuvelopwaarts en heuvelafwaarts. Gebruik de machine dwars op hellingen. Zet de motor af voordat u de bestuurderspositie verlaat. Raap voorwerpen die door messen kunnen uitgeworpen op. Kijk achterom als u achteruitloopt.



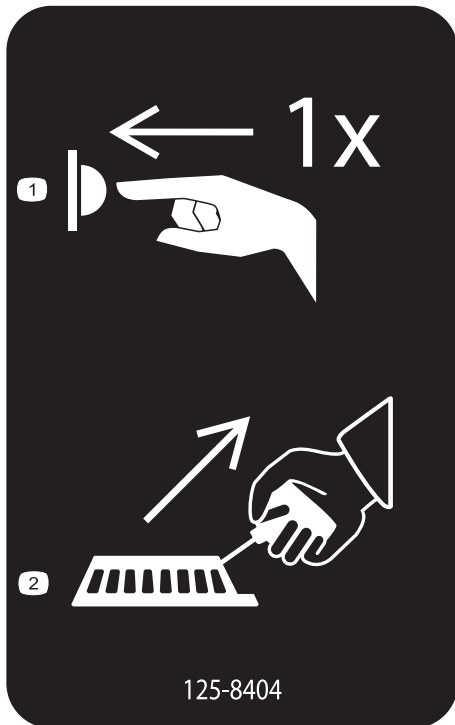
125-8403

1. Druk de hulpstarter één keer in.
2. Trek aan de handgreep van het startkoord.



131-0822

1. Zelfaandrijving – Let op: de transmissie kan vroegtijdig slijten indien de riem te strak wordt afgesteld; Lees de *gebruikershandleiding* voordat u service- of onderhoudswerkzaamheden uitvoert.



125-8404

1. Druk de hulpstarter één keer in.
2. Trek aan de handgreep van het startkoord.

Montage

Losse onderdelen

Gebruik onderstaande lijst om te controleren of alle onderdelen zijn geleverd.

Procedure	Omschrijving	Hoeveelheid	Gebruik
1	Handgreep Zeskantige flenskopbout (5/16 x 1-1/2 inch) Slotbout (5/16 x 1-1/2 inch) Flensmoer (5/16 inch)	1 2 2 4	De handgreep bevestigen.
2	Geen onderdelen vereist	–	Het startkoord monteren.
3	Geen onderdelen vereist	–	Het carter met olie bijvullen.
4	Geen onderdelen vereist	–	Zelfaandrijving afstellen.
5	Geen onderdelen vereist	–	Grasvanger monteren.

Opmerking: Bepaal vanuit de normale bedieningspositie de linker- en rechterzijde van de machine.

1

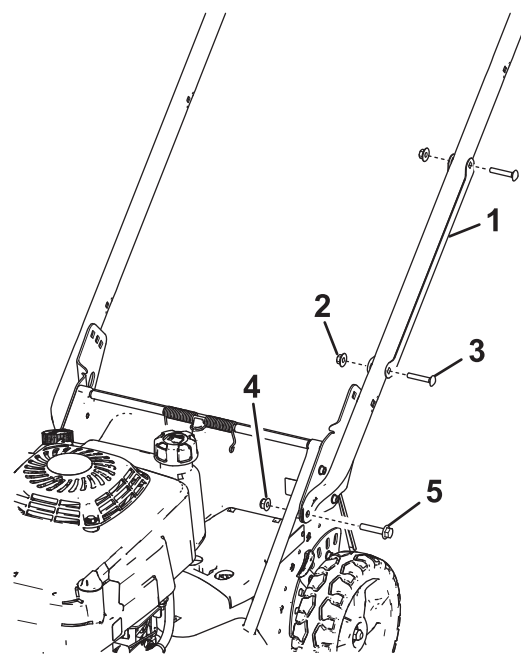
De handgreep bevestigen

Benodigde onderdelen voor deze stap:

1	Handgreep
2	Zeskantige flenskopbout (5/16 x 1-1/2 inch)
2	Slotbout (5/16 x 1-1/2 inch)
4	Flensmoer (5/16 inch)

Procedure

1. Neem de kabelbescherming van de handgreep (Figuur 3) door de 2 slotbouten en 2 borgmoeren waarmee de kabelbescherming aan de handgreep is bevestigd te verwijderen.



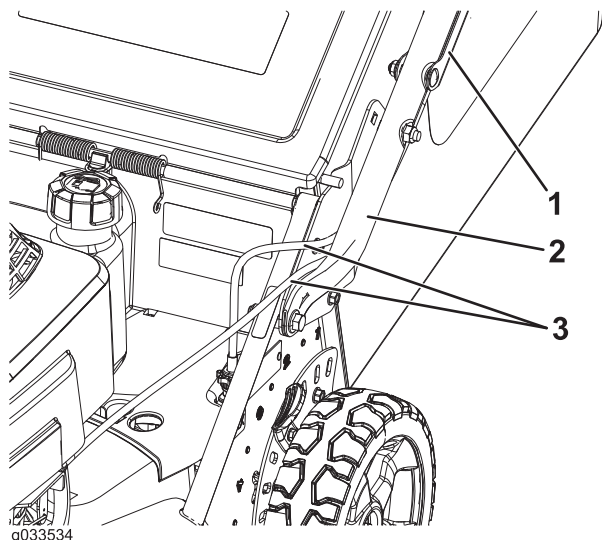
g024341

Figuur 3

- | | |
|------------------------------------|--|
| 1. Kabelbescherming | 4. Flensmoer – 5/16 inch (2) |
| 2. Borgmoer (2) | 5. Zeskantige flenskopbout (5/16 x 1-1/2 inch) (2) |
| 3. Slotbout (1/4 x 1-1/2 inch) (2) | |

Opmerking: Bewaar de bescherming, de slotbouten en de borgmoeren; u moet ze later in deze procedure op de handgreep monteren.

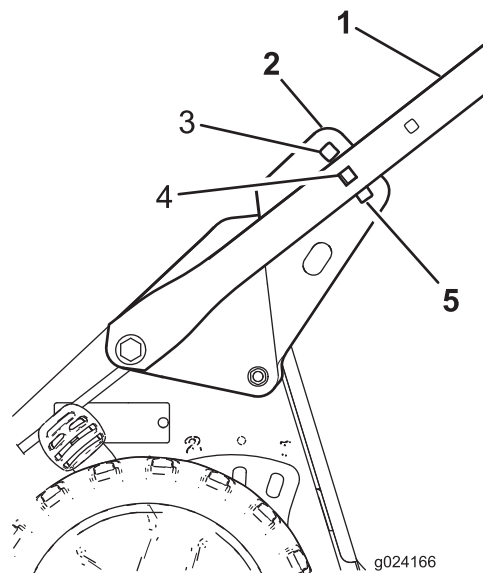
- Monteer de uiteinden van de handgreep op de maaikast; gebruik hiervoor 2 zeskantige flensbouten (5/16 x 1-1/2 inches) en 2 flensmoeren (5/16 inch), zie [Figuur 3](#).
- Stel de machine in op de gewenste maaihogte; zie [De maaihogte instellen \(bladz. 14\)](#).
- Leid de stuurkabels tussen het maaidek en de handgreep om beschadiging van de kabels te voorkomen ([Figuur 4](#)).



Figuur 4

- Kabelbescherming
- Handgreep
- Kabel(s)

- Ga achter de machine staan om na te gaan hoe hoog de handgreep voor u moet staan om comfortabel te kunnen werken ([Figuur 5](#)).

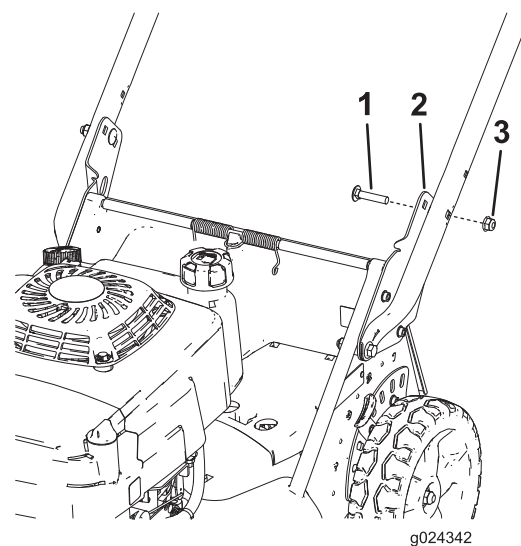


Figuur 5

- Handgreep
- Beugel van handgreep (2)
- Hoogste handgreepstand
- Middelste handgreepstand
- Laagste handgreepstand

- Bevestig de handgreep aan de handgreepbeugel als de handgreep de gewenste hoogte heeft; gebruik 2 slotbouts (5/16 x 1-1/2 inches) en 2 flensmoeren (5/16 inch), zie [Figuur 6](#).

Belangrijk: Zorg ervoor dat de koppen van de bouten aan de binnenkant van de handgreep zitten, en de moeren aan de buitenkant van de handgreep.



Figuur 6

- Slotbout (5/16 x 1-1/2 inch)
- Beugel van handgreep (2)
- Flensmoer – 5/16 inch (2)

- Plaats de kabelbescherming op de handgreep, met de kabel(s) binnen de kabelbescherming, en zet

de kabelbescherming vast op de handgreep met de 2 slotbouten en 2 borgmoeren die u eerder verwijderde (Figuur 3).

Belangrijk: Zorg dat de kabel(s) niet bekneld raken bij de handgreep tijdens het monteren van de kabelbescherming op de handgreep.

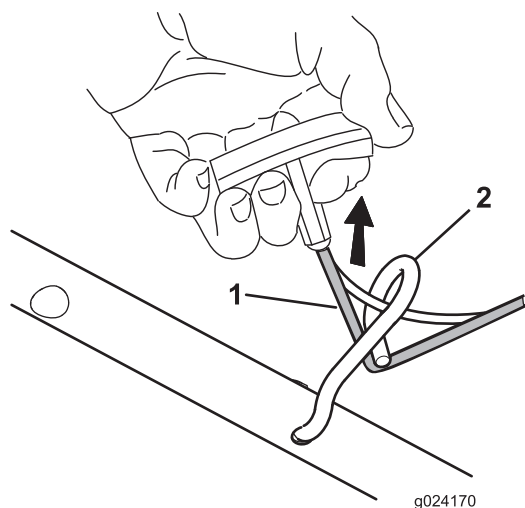
2

Het startkoord monteren

Geen onderdelen vereist

Procedure

Trek het startkoord door de koordgeleider op de handgreep (Figuur 7).



Figuur 7

1. Startkoord
2. Koordgeleider

Opmerking: Om het koord gemakkelijker te kunnen monteren, moet u de bedieningsstang op de handgreep indrukken.

3

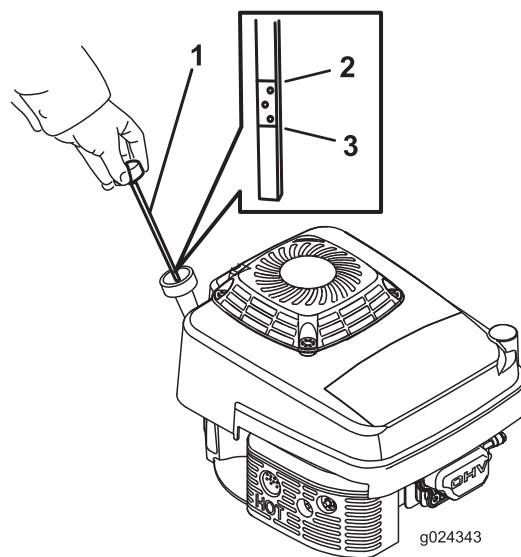
Het carter met olie bijvullen

Geen onderdelen vereist

Procedure

De motor wordt geleverd zonder olie in het carter. Vul het carter met olie voordat u de motor start. Het oliecarter van de motor heeft een inhoud van 0,65 liter (met oliefilter). Gebruik uitsluitend hoogwaardige reinigingsolie, type SAE 10W-30, met onderhoudsclassificatie SH of SJ van het American Petroleum Institute (API) of gelijkwaardig.

Controleer voor elk gebruik of het oliepeil tussen de markeringen Bijvullen en Vol op de peilstok staat (Figuur 8).



Figuur 8

1. Peilstok
2. Vol-markering
3. Bijvulmarkering

Opmerking: Als het carter leeg is, moet u dit voor ongeveer driekwart met olie vullen; volg daarna de procedure die in dit hoofdstuk wordt beschreven.

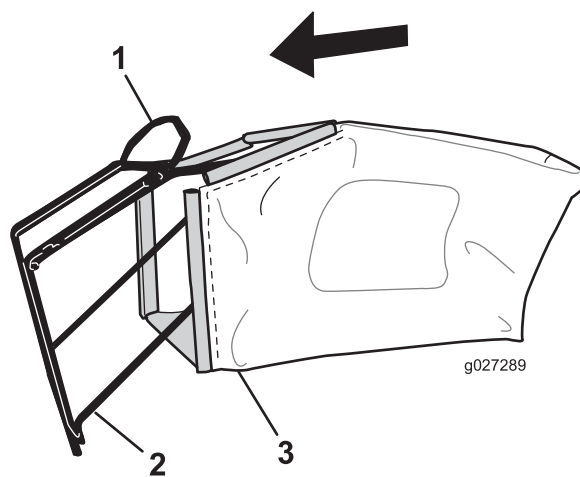
1. Plaats de machine op een horizontaal oppervlak.
2. Maak de omgeving van de peilstok schoon (Figuur 8).
3. Verwijder de peilstok door de dop linksom te draaien en eruit te trekken.
4. Veeg de peilstok met een schone doek schoon.
5. Steek de peilstok in de vulbuis en trek deze er weer uit.
6. Lees het oliepeil af van de peilstok.
 - Als het peil onder de Bijvullen-markering op de peilstok staat, giet dan langzaam een kleine hoeveelheid olie in de vulbuis, wacht 3 minuten en

herhaal de stappen 4 tot en met 6 totdat het peil de Vol-markering op de peilstok bereikt.

- Als de olie tot boven de Vol-markering op de peilstok reikt, laat dan de overtollige olie weglopen tot het peil de Vol-markering op de peilstok bereikt. Zie [Motorolie verversen \(bladz. 19\)](#).

Belangrijk: Als het oliepeil in het carter te hoog of te laag is en u laat de motor toch draaien, kunt u deze beschadigen.

7. Steek de peilstok in de vulbuis en draai de dop rechtsom totdat deze goed vast zit.



Figuur 9

1. Handgreep
2. Frame
3. Grasvanger

4

Zelfaandrijving afstellen

Geen onderdelen vereist

Procedure

Belangrijk: U dient de kabel van de zelfaandrijving af te stellen voordat u de machine voor het eerst gebruikt. Zie [Zelfaandrijving afstellen \(bladz. 20\)](#).

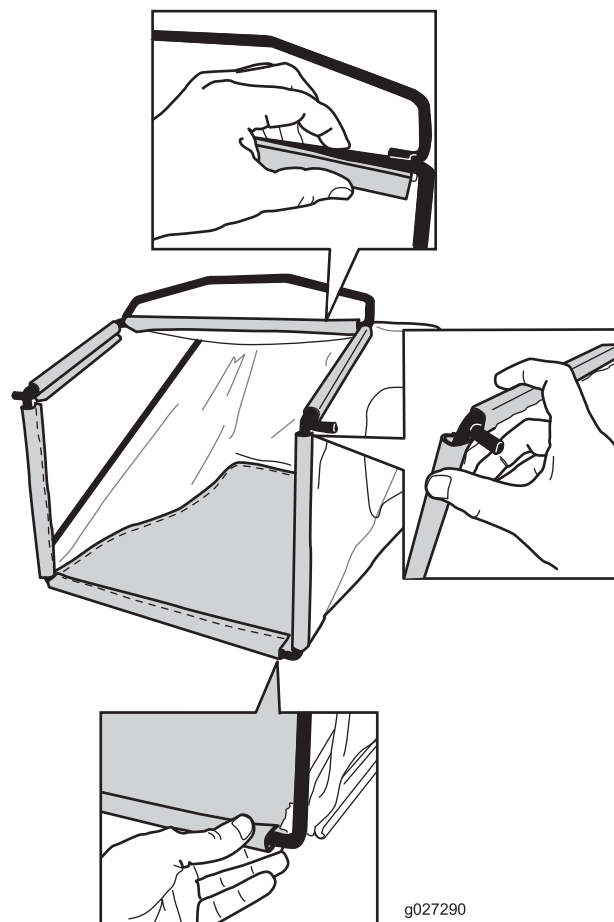
5

Grasvanger monteren

Geen onderdelen vereist

Procedure

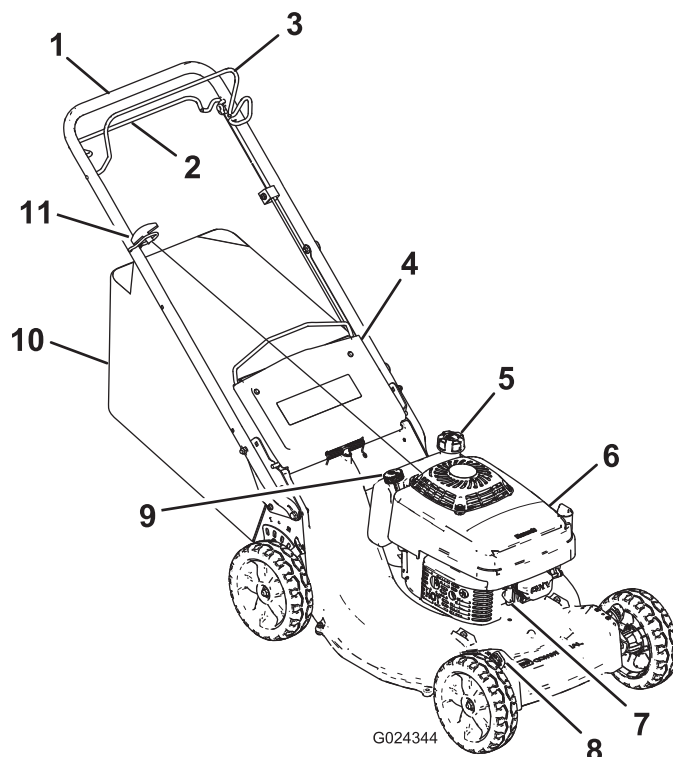
1. Schuif de grasvanger over het frame; zie [Figuur 9](#).



Figuur 10

3. Haak het bovenste en de zijkanalen van de grasvanger achtereenvolgens over de bovenzijde en de zijkanten van het frame (Figuur 10).

Algemeen overzicht van de machine



Figuur 11

- | | |
|--------------------------------|-----------------------------|
| 1. Handgrip | 7. Bougie |
| 2. Stang voor zelfaandrijving | 8. Maaihoogtehendel (4) |
| 3. Bedieningsstang voor maimes | 9. Vulbuis/Peilstok |
| 4. Achterklep | 10. Grasvanger |
| 5. Dop van brandstoftank | 11. Handgrip van startkoord |
| 6. Luchtfiler | |

Specificaties

Gewicht	56 kg
Lengte	161 cm
Breedte	55 cm
Hoogte	88 cm

Gebruiksaanwijzing

Opmerking: Bepaal vanuit de normale bestuurderspositie de linker- en rechterzijde van de machine.

Telkens voordat u gaat maaien, moet u controleren of de zelfaandrijving en de bedieningsstang goed werken. Als u de bedieningsstang van het maimes loslaat, moeten het mes en de zelfaandrijving stoppen. Doen ze dat niet, dan moet u contact opnemen met een erkende servicedealer.

⚠ VOORZICHTIG

Deze machine stelt de gebruiker bloot aan geluidsniveaus van meer dan 85 dBA. Bij langdurige blootstelling kan dit leiden tot gehoorbeschadiging.

Draag gehoorbescherming als u deze machine gebruikt.



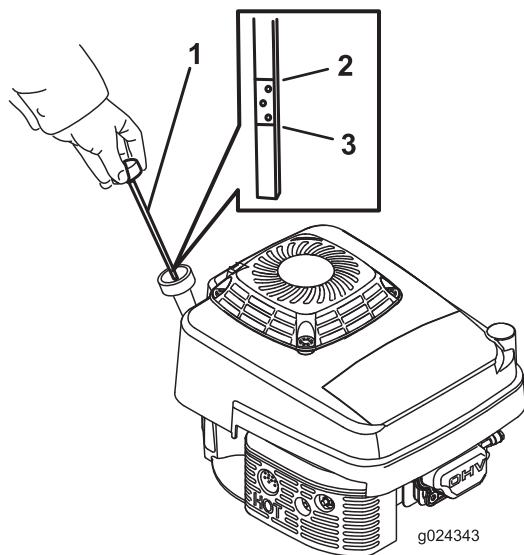
Figuur 12

1. Waarschuwing – Draag gehoorbescherming.

Het motoroliepeil controleren

Onderhoudsinterval: Bij elk gebruik of dagelijks—Controleer het motoroliepeil.

Controleer voordat u de machine gebruikt of het oliepeil tussen de markeringen Bijvullen en Vol op de peilstok staat (Figuur 13).



Figuur 13

1. Peilstok
2. Vol-markering
3. Bijvulmarkering

Als het oliepeil onder de markering Bijvullen staat, moet u olie bijvullen. Zie 3 Het carter met olie bijvullen (bladz. 10).

De brandstoftank vullen met benzine

⚠ GEVAAR

Benzine is uitermate ontvlambaar en explosief. Brand of explosie van benzine kan brandwonden veroorzaken.

- Om te voorkomen dat een statische lading de benzine tot ontbranding kan brengen, moet u het benzinevat en/of de machine voordat u de tank vult op de grond plaatsen, niet op een voertuig of een ander object.
- Vul de brandstoftank in de open lucht wanneer de motor koud is. Neem gemorste benzine op.
- Rook niet als u omgaat met benzine, en houd benzine uit de buurt van open vuur of brandstof.
- Bewaar benzine in een goedgekeurd benzinevat en buiten bereik van kinderen.
- Gebruik voor de beste resultaten uitsluitend schone, verse (minder dan 30 dagen oud), loodvrije benzine met een octaangetal van 87 of hoger (indelmingsmethode (R+M)/2).
- Met zuurstof verrijkte benzine met ten hoogste 10% ethanol of 15% MTBE is geschikt.
- **Ethanol:** Benzine met maximaal 10% ethanol (gasohol) of 15% MTBE (methyl-tertiair-butylether) per volume is aanvaardbaar. Ethanol en MTBE zijn niet hetzelfde. Benzine met 15% ethanol (E15) per volume is niet geschikt voor gebruik. **Gebruik nooit benzine die meer dan 10% ethanol per volume bevat**, zoals E15 (bevat 15% ethanol), E20 (bevat 20% ethanol), of E85 (bevat tot 85% ethanol). Ongeschikte benzine gebruiken kan leiden tot verminderde prestaties en/of motorschade die mogelijk niet gedekt wordt door de garantie.
- **Geen** benzine gebruiken die methanol bevat.
- Tijdens de winter **geen** brandstof bewaren in de brandstoftank of in vaten, tenzij u een brandstofstabilisator gebruikt.
- **Meng** nooit olie door benzine.

Belangrijk: Om startproblemen te vermijden moet u het hele seizoen een stabilizer toevoegen aan de benzine. Gebruik nooit benzine die ouder is dan 30 dagen.

Opmerking: De brandstoftank heeft een inhoud van 1,8 liter.

De maaihoogte instellen

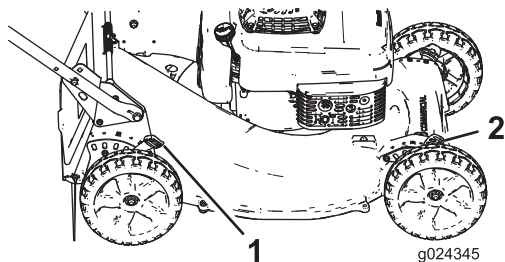
U kunt de maaihoogte aan elk wiel afstellen door middel van een maaihoogtehendel. De maaihoogtestanden zijn 25 mm, 38 mm, 51 mm, 64 mm, 76 mm, 89 mm, 102 mm en 114 mm.

⚠ GEVAAR

Bij het verstellen van een maaihoogtehendel kunnen uw handen in aanraking komen met een bewegend mes. Dit kan ernstig lichamelijk letsel veroorzaken.

- Zet de motor af en wacht tot alle bewegende delen stilstaan voordat u de maaihoogte instelt.
- Plaats uw vingers niet onder de maaikast als u de maaihoogte instelt.

1. Druk de maaihoogtehendel tegen het wiel (Figuur 14) en kies de gewenste maaihoogte.



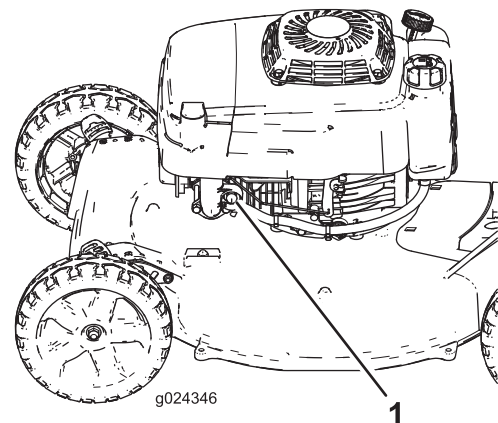
Figuur 14

1. Achterste maaihoogtehendel (2)
2. Voorste maaihoogtehendel (2)

2. Laat de maaihoogtehendel los en zorg ervoor dat deze goed in de uitsparing valt.
3. Alle wielen moeten op dezelfde maaihoogte worden ingesteld.

De motor starten

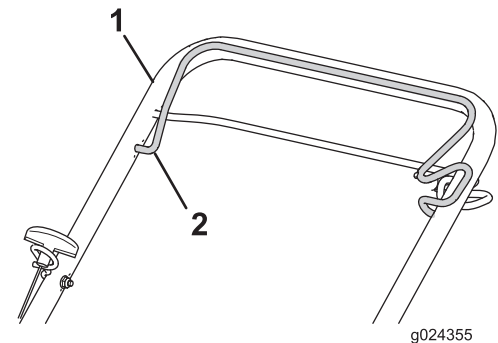
1. Sluit de bougiekabel aan op de bougie.
2. Druk de hulpstartknop krachtig in (Figuur 15); hou de primerpomp 1 seconde ingedrukt.



Figuur 15

1. Hulpstartknop

3. Hou de bedieningsstang van het maaimes tegen het bovenste deel van de handgreep (Figuur 16).



Figuur 16

1. Bovenste deel van de handgreep
2. Bedieningsstang voor maaimes

4. Trek de handgreep van het startkoord zachtjes uit tot u weerstand voelt en trek vervolgens krachtig. Laat de handgreep daarna zachtjes naar de koordgeleider op de handgreep teruglopen.

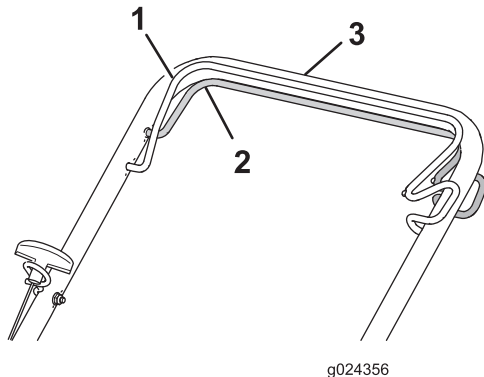
Opmerking: Als de motor niet start, herhaal dan stap 2 tot 4.

Motor afzetten

Laat de bedieningsstang van het maimes los. Zowel de motor als het mes moeten binnen de 3 seconden stoppen. Doen ze dat niet, dan moet u contact opnemen met een erkende servicedealer.

De zelfaandrijving bedienen

- **De zelfaandrijving inschakelen:** Hou de zelfaandrijvingsstang tegen de handgreep gedrukt (Figuur 17).



Figuur 17

1. Bedieningsstang van maimes (op de afbeelding ingeschakeld)
2. Stang voor zelfaandrijving
3. Bovenste deel van de handgreep

Opmerking: De zelfaandrijving heeft een vaste maximumsnelheid. Om de snelheid te verminderen, moet u de ruimte tussen de stang voor de zelfaandrijving en de handgreep vergroten.

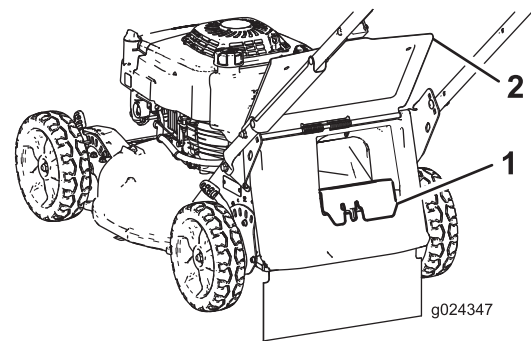
- **De zelfaandrijving uitschakelen:** Laat de stang van de zelfaandrijving los.

Opmerking: De machine is voorzien van vrijlooppkoppelingen, waardoor het makkelijker is om de machine naar achteren te trekken. Om de koppelingen uit te schakelen, moet u de machine ongeveer 2,5 cm of meer naar voren duwen nadat u de stang voor de zelfaandrijving hebt losgelaten.

Maaisel recyclen

Als de machine wordt geleverd, is deze gereed om maaisel en bladafval naar het gazon te recyclen. De machine voorbereiden om te recyclen:

- Verwijder de grasvanger als deze aan de machine is bevestigd; zie [De grasvanger verwijderen](#) (bladz. 16).
- Als de afsluiter van de achterafvoer niet aan de machine is bevestigd, neem deze dan vast bij de handgreep, til de achterklep op, en breng de afsluiter in het achteruitworpkanaal tot de vergrendeling op zijn plaats valt (Figuur 18).



Figuur 18

1. Afsluiter van achterafvoer
2. Achterklep

⚠ WAARSCHUWING

Als u de machine maaisel laat recyclen zonder de afsluiter, kunnen er voorwerpen uitgeworpen worden in uw richting of die van omstanders. Daarnaast kunt u ook in contact komen met de messen. Uitgeworpen objecten of contact met de messen kan leiden tot ernstig letsel of de dood.

Controleer of de afsluiter van de achterafvoer is gemonteerd alvorens het maaisel te recyclen. Schakel nooit de messen in wanneer noch de afsluiter van de achterafvoer noch de grasvanger op de machine gemonteerd is.

Het maaisel opvangen

Gebruik de grasvanger als u maaisel en bladafval wilt verzamelen.

⚠ WAARSCHUWING

Een versleten grasvanger kan kleine steentjes en andere voorwerpen uitwerpen, waardoor u of omstanders ernstig lichamelijk of dodelijk letsel kunnen oplopen.

Controleer de grasvanger regelmatig. Plaats een nieuwe Toro-grasvanger als de oude is beschadigd.

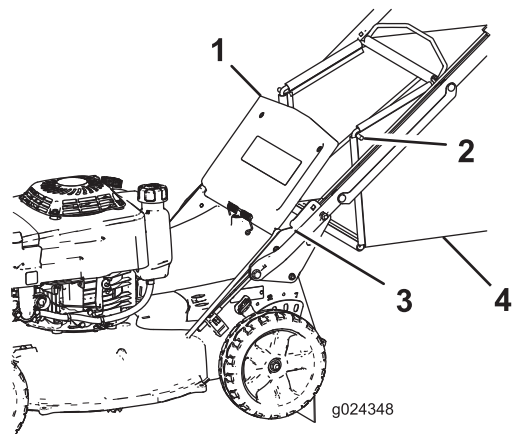
⚠ WAARSCHUWING

De maaimessen zijn scherp; de maaimessen aanraken kan ernstig lichamelijk letsel veroorzaken.

Zet de motor af en wacht totdat alle bewegende onderdelen tot stilstand zijn gekomen voordat u de bestuurderspositie verlaat.

Montage van de grasvanger

1. Zet de motor af en wacht totdat alle bewegende onderdelen tot stilstand gekomen zijn.
2. Zet de achterklep omhoog en houd hem in deze stand (Figuur 19).



Figuur 19

- | | |
|--|-----------------|
| 1. Achterklep | 3. Inkeping (2) |
| 2. Uiteinde van
grasvangerstang (2) | 4. Grasvanger |

3. Verwijder de afsluiter van de achterafvoer door de vergrendeling met uw duim in te drukken en de afsluiter uit de machine te trekken (Figuur 18).
4. Breng de uiteinden van de grasvangerstangen aan in de inkepingen onderaan de handgreep en schud de grasvanger heen en weer om zeker te zijn dat de stang helemaal in de beide inkepingen zit (Figuur 19).
5. Laat de achterklep zakken tot deze op de grasvanger ligt.

De grasvanger verwijderen

⚠ GEVAAR

De machine kan maaisel en andere voorwerpen uitwerpen door een opening in de behuizing van de machine. Voorwerpen die met genoeg kracht worden weggeslingerd kunnen ernstig of zelfs dodelijk letsel toebrengen aan u of aan omstanders.

- **Neem de grasvanger nooit weg als u van plan bent de motor te starten zonder de afvoer afsluiter op de machine gemonteerd.**
- **Open nooit de achterklep van de machine terwijl de motor nog draait.**

1. Zet de motor af en wacht totdat alle bewegende onderdelen tot stilstand gekomen zijn.
2. Til de achterklep op.
3. Neem de grasvangerstang uit de inkepingen onderaan de handgreep (Figuur 19).

4. Monteer de afvoer afsluiter; zie [Maaisel recycleren \(bladz. 15\)](#).
5. Zet de achterklep omlaag.

Tips voor bediening en gebruik

Algemene tips

- Neem de veiligheidsinstructies goed door en lees deze handleiding zorgvuldig, voordat u met de machine gaat werken.
- Verwijder uit het werkgebied stekken, stenen, draden, takken en andere rommel die het mes kan raken en wegslingeren.
- Houd iedereen, met name kinderen en huisdieren, weg uit het werkgebied.
- Voorkom contact met bomen, muren, hoekstenen en andere vaste voorwerpen. Maai nooit met opzet over voorwerpen.
- Als de maaimachine toch een voorwerp raakt en begint te trillen, moet u meteen de motor afzetten, de bougiekabel losmaken en de maaimachine op beschadiging controleren.
- Zorg ervoor dat u gedurende het hele seizoen steeds met een **scherp maaimes** maait. Vrij regelmatig kerven en inkepingen in het mes weg.
- Vervang indien nodig het maaimes door een origineel Toro-mes.
- Maai uitsluitend droog gras of droge bladeren. Nat gras en natte bladeren gaan aanvoelen, waardoor de maaimachine verstopt kan raken of de motor kan afslaan.

⚠ WAARSCHUWING

Als u nat gras en natte bladeren maait, kunt u uitglijden, in aanraking komen met het mes en ernstig letsel oplopen.

Maai uitsluitend in droge omstandigheden.

- Reinig de onderkant van de machine na elke maaibeurt; zie [De onderkant van de machine reinigen \(bladz. 23\)](#).
- Houd de motor steeds in goede conditie.
- Reinig regelmatig het luchtfilter. Bij fijnmaken zal meer maaisel en stof ontstaan, waardoor het luchtfilter verstopt raakt en de prestaties van de motor minder worden.
- Zet het motortoerental in de hoogste stand om de beste maaieresultaten te verkrijgen.

⚠ WAARSCHUWING

Als de motor van de machine tijdens het maaien sneller loopt dan de fabrieksinstelling, kan de machine een stuk van het mes of een motoronderdeel naar u of naar omstanders uitwerpen. Dit kan ernstig of zelfs dodelijk letsel veroorzaken.

- **Nooit het ingestelde maximumtoerental van de motor veranderen.**
- **Als u denkt dat het motortoerental hoger is dan normaal, moet u contact opnemen met een Erkende Service Dealer.**

Het maaien van het gras

- Het tempo waarmee het gras groeit, varieert per jaargetijde. Hartje zomer kunt u in het algemeen het gras het beste maaien bij een maaihoogte van 64 mm, 76 mm of 89 mm. Maai telkens niet meer dan ongeveer eenderde van de lengte van het gras af. Maai niet met een stand lager dan 64 mm tenzij de grasmat dun is, of als het laat in het najaar is wanneer het gras langzamer begint te groeien.
- Als u gras wilt maaien dat langer dan 15 cm is, moet u eerst maaien op de maximale maaihoogte en met een langzamere loopsnelheid. Vervolgens gaat u maaien op een lagere maaihoogte om het gazon een zo fraai mogelijk uiterlijk te geven. Als het gras te lang is en in hoopjes achterblijft op het gazon, kan de maaimachine geblokkeerd raken, waardoor de motor afslaat.
- Maai steeds in wisselende richtingen. Hierdoor wordt het maaisel beter over het gazon verstrooid, zodat het gazon gelijkmatig wordt bemest.

Als u niet tevreden bent met het uiterlijk van het voltooide gazon, probeer dan een of meer van de volgende stappen:

- Slijp het mes.
- Loop langzamer tijdens het maaien.
- Stel de maaimachine in op een hogere maaihoogte.
- Maai het gras vaker.
- Laat de maai banen overlappen in plaats van steeds een volledig nieuwe baan te maaien.

Bladeren fijnmaken

- Na het maaien moet altijd 50% van het gazon zichtbaar blijven door de bladerlaag. Dit kan een of meerdere rondgangen over de bladeren vereisen.
- Als u het gazon met een lichte laag bladeren wilt bedekken, moet u alle wielen afstellen op dezelfde maaihoogte.
- Als de maaimachine de bladeren niet fijn genoeg maakt, is het beter om wat langzamer te maaien.

Onderhoud

Opmerking: Bepaal vanuit de normale bestuurderspositie de linker- en rechterzijde van de machine.

Aanbevolen onderhoudsschema

Onderhoudsinterval	Onderhoudsprocedure
Na de eerste 8 bedrijfsuren	<ul style="list-style-type: none">• Ververs de motorolie.
Na de eerste 25 bedrijfsuren	<ul style="list-style-type: none">• Draai los bevestigingsmateriaal vast.
Bij elk gebruik of dagelijks	<ul style="list-style-type: none">• Controleer het motoroliepeil.• Controleer het maaimes op slijtage of beschadigingen.• Controleer het gaspedaal op slijtage of beschadigingen.• Verwijder maaisel en vuil van de onderkant van de machine.• Controleer de stoptijd van de mesrem. Het maaimes moet binnen 3 seconden na het loslaten van de bedieningsstang tot stilstand komen. Gebeurt dit niet, neem dan contact op met een erkende Service Dealer.• Controleer de motor op los of ontbrekend bevestigingsmateriaal.• Controleer op brandstof- of olielekken.• Controleer of reinig de handstarter en het luchtinlaatscherm.
Om de 25 bedrijfsuren	<ul style="list-style-type: none">• Reinig het schuimelement (dit moet vaker gebeuren in stoffige omstandigheden).
Om de 40 bedrijfsuren	<ul style="list-style-type: none">• Maak de wielen en tandwielen schoon.
Om de 50 bedrijfsuren	<ul style="list-style-type: none">• Vervang de motorolie (vaker in stoffige omstandigheden).• Het mes slijpen of vervangen. Voer dit onderhoud vaker uit in ruwe of zanderige maaioomstandigheden: hierbij wordt de rand namelijk sneller bot.
Om de 100 bedrijfsuren	<ul style="list-style-type: none">• Controleer, reinig en wijzig de afstand van de bougie; vervang de bougie als dat nodig is.• Draai los bevestigingsmateriaal vast.• Controleer of reinig de handstarter en het luchtinlaatscherm.
Om de 200 bedrijfsuren	<ul style="list-style-type: none">• Laat een erkende servicedealer de motor controleren op lekken in het brandstofsysteem en/of een versleten brandstofslang. Indien nodig onderdelen vervangen.
Om de 300 bedrijfsuren	<ul style="list-style-type: none">• Vervang het papierelement (dit moet vaker gebeuren in stoffige omstandigheden).• Reinig de cilinder en de ribben van de cilinderkop.• Laat een erkende servicedealer het stationair toerental van de motor controleren en afstellen.• Laat een erkende servicedealer de verbrandingskamer reinigen.• Laat een erkende servicedealer de klepspelings controleren en afstellen.• Laat een erkende servicedealer de klepzitting reinigen en leppen.

Belangrijk: Zie de gebruikershandleiding van de motor voor verdere onderhoudsprocedures.

⚠ VOORZICHTIG

Als u de kabel op de bougie laat zitten, bestaat de kans dat iemand de motor per ongeluk start waardoor u of omstanders ernstig letsel kunnen oplopen.

Verwijder de bougiekabel van de bougie alvorens onderhoudswerkzaamheden uit te voeren. Druk de kabel opzij, zodat hij niet per ongeluk contact kan maken met de bougie.

Onderhoud motor

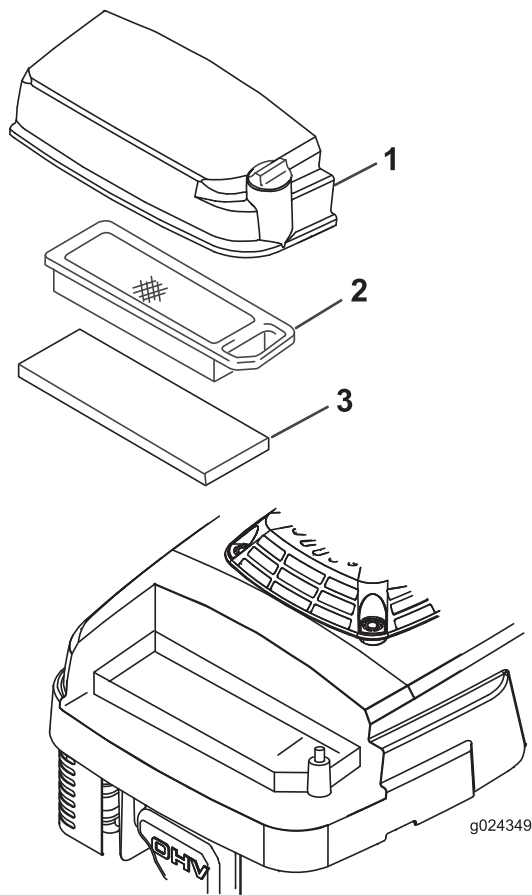
Onderhoud van het luchtfilter

Onderhoudsinterval: Om de 25 bedrijfsuren—Reinig het schuimelement (dit moet vaker gebeuren in stoffige omstandigheden).

Om de 300 bedrijfsuren—Vervang het papierelement (dit moet vaker gebeuren in stoffige omstandigheden).

Belangrijk: Laat de motor nooit zonder luchtfilter draaien; anders wordt de motor ernstig beschadigd.

1. Zet de motor af en wacht totdat alle bewegende onderdelen tot stilstand gekomen zijn.
2. Verwijder de bougiekabel van de bougie.
3. Draai de schroef van het luchtfilterdeksel los (Figuur 20).



Figuur 20

- | | |
|----------------------|------------------|
| 1. Luchtfilterdeksel | 3. Schuimelement |
| 2. Papierelement | |

4. Verwijder het luchtfilterdeksel en maak dit grondig schoon.
5. Verwijder en controleer het papieren luchtfilterelement (Figuur 20) en vervang het als het erg vuil is.

Belangrijk: Papierelement nooit schoonmaken.

6. Verwijder het schuimelement (Figuur 20) en was dit met een mild reinigingsmiddel en water. Dep het daarna droog.
7. Monteer het schuimelement.
8. Monteer het papieren luchtfilterelement.
9. Plaats het luchtfilterdeksel en zet dit vast met de schroef.

Motorolie verversen

Onderhoudsinterval: Na de eerste 8 bedrijfsuren

Om de 50 bedrijfsuren

1. Laat de motor eerst lopen zodat de motorolie wordt opgewarmd.

Opmerking: Warme olie is vloeibaarder en voert vervuilingen beter mee.

⚠ WAARSCHUWING

De olie kan heet zijn nadat de motor heeft gelopen; contact met hete olie kan ernstig brandwonden veroorzaken.

Vermijd contact met hete motorolie als u deze aftapt.

2. Zet de motor af en wacht totdat alle bewegende onderdelen tot stilstand gekomen zijn.
3. Verwijder de bougiekabel van de bougie.
4. Tap de benzine af uit de brandstoftank.
5. Plaats een geschikte opvangbak onder de peilstok/olieaftapplug.
6. Maak de omgeving van de peilstok schoon.
7. Verwijder de peilstok door de dop linksom te draaien en eruit te trekken.
8. Hef de **rechterkant** van de machine op (met het luchtfilter naar boven) om de olie in de opvangbak te laten lopen.
9. Nadat de olie is afgetapt, zet u de maaimachine terug in de werkstand.
10. Vul het carter met nieuwe olie tot aan de markering Vol op de peilstok; zie 3 [Het carter met olie bijvullen](#) (bladz. 10).
11. Steek de peilstok in de vulbuis en draai de dop rechtsom totdat deze goed vast zit.
12. Neem eventueel gemorste olie op.
13. Voer de oude olie af volgens de plaatselijk geldende voorschriften.

Onderhoud van de bougie

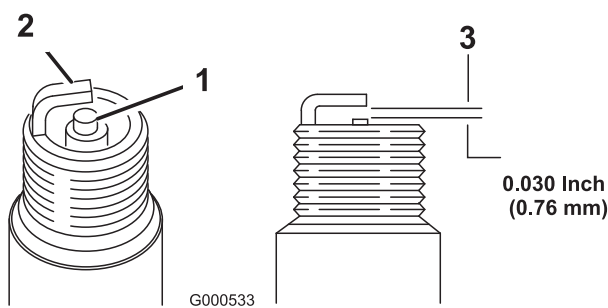
Onderhoudsinterval: Om de 100 bedrijfsuren—Controleer, reinig en wijzig de afstand van de bougie; vervang de bougie als dat nodig is.

Gebruik een **NGK BPR5ES** bougie of een bougie van een equivalent type.

1. Zet de motor af en wacht totdat alle bewegende onderdelen tot stilstand gekomen zijn.
2. Verwijder de bougiekabel van de bougie.
3. Maak de omgeving van de bougie schoon.
4. Haal de bougie uit de cilinderkop.

Belangrijk: Als de bougie gebarsten of vuil is, moet deze worden vervangen. U mag de elektroden niet reinigen omdat hierdoor gruis in de cilinder terecht kan komen. Dit leidt meestal tot beschadiging van de motor.

5. Stel de elektrodenafstand in op 0,76 mm (Figuur 21).



Figuur 21

1. Centrale elektrode-isolator
2. Massa-elektrode
3. Elektrodenafstand (niet op schaal weergegeven)

6. Monteer de bougie voorzichtig met de hand (om beschadiging van de schroefdraad te voorkomen).
7. Draai de bougie vast met een torsie van 23 N m.

Belangrijk: Een losse bougie kan erg heet worden en de motor beschadigen; een bougie te vast draaien kan de schroefdraad in de cilinderkop beschadigen.

8. Sluit de bougiekabel aan op de bougie.

Onderhoud aandrijfsysteem

Zelfaandrijving afstellen

Opmerking: Als de machine nieuw is, zichzelf niet aandrijft, of naar voren kruipt, moet u de kabel van de aandrijving afstellen.

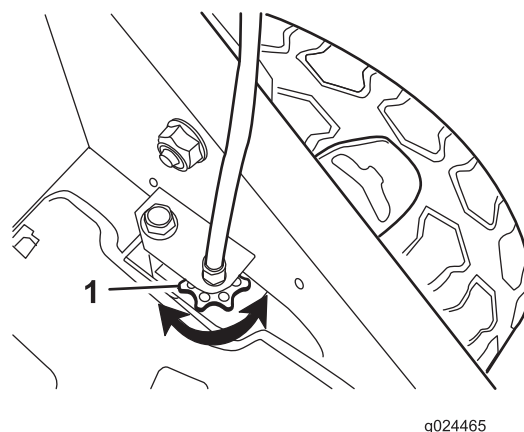
1. Rijd de machine naar buiten op een verharde ondergrond met een stevige muur (om te voorkomen dat de machine vooruitrijdt terwijl de motor loopt).
2. Zet de machine met de voorwielen tegen de muur.

Opmerking: Zorg dat de omgeving goed geventileerd is en vrij van afval dat door de machine kan worden weggeslingerd.

3. Start de motor; zie [De motor starten \(bladz. 14\)](#).
4. Trek de stang van de zelfaandrijving tegen de handgreep.

Opmerking: De wielen moeten beginnen draaien wanneer de stang van de zelfaandrijving de handgreep net raakt.

5. Zet de motor af.
6. Als u de machine moet afstellen, zijn er twee mogelijkheden:
 - Als de wielen niet draaien wanneer u de stang van de zelfaandrijving inschakelt, is de aandrijfriem niet genoeg gespannen. Draai de afstelknop van de wielaandrijving (Figuur 22) 1 slag rechtsom en herhaal stap 3 tot 5.



Figuur 22

1. Afstelknop van wielaandrijving

- Als de wielen al draaien voordat u de stang van de zelfaandrijving volledig hebt ingedrukt, is de aandrijfriem te hard aangespannen. Draai de afstelknop van de wielaandrijving (Figuur 22) 1 slag linksom en herhaal stap 3 tot 5.

7. Als u een nieuwe aandrijfriem gebruikt, moet u de afstelknop van de wielaandrijving nog 1 slag rechtsom draaien zodat de riem aangespannen wordt tijdens de inrijperiode.

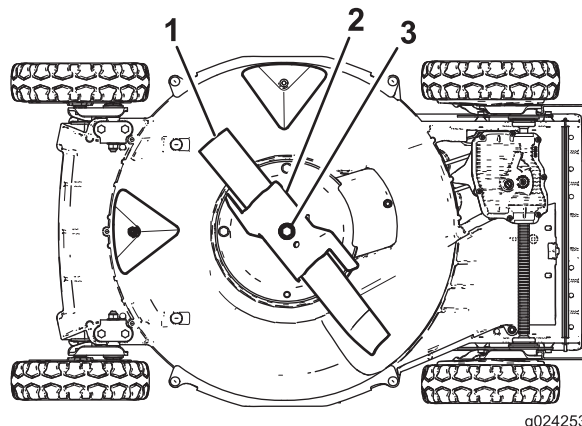
Opmerking: U kunt deze stap overslaan als u een gebruikte riem afstelt.

Onderhoud van maaimessen

Onderhoud van het maimes

Maai altijd met een scherp mes. Een scherp mes snijdt het gras goed af zonder het te scheuren of te kwetsen.

1. Zet de motor af en wacht totdat alle bewegende onderdelen tot stilstand gekomen zijn.
2. Verwijder de bougiekabel van de bougie.
3. Tap de benzine af uit de brandstoftank.
4. Kantel de maaimachine **op zijn rechterkant** met het luchtfilter naar boven; zie [Figuur 23](#).



g024253

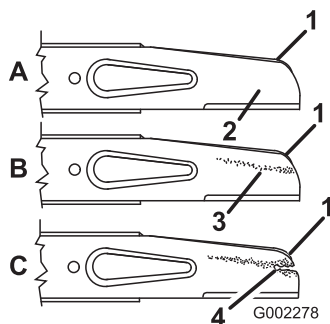
Figuur 23

- | | |
|---------------|-----------------------|
| 1. Mes | 3. Mesbout en borging |
| 2. Versneller | |

Het mes controleren

Onderhoudsinterval: Bij elk gebruik of dagelijks—Controleer het maimes op slijtage of beschadigingen.

Controleer voorzichtig het maimes op scherpte en slijtage, in het bijzonder op de plaats waar het platte en het gekromde deel samenkomen ([Figuur 24A](#)). Omdat het metaal dat het platte en het gebogen deel van het mes verbindt, kan wegslijten door zand en ander schurend materiaal, moet u dit steeds controleren voordat u gaat maaien. Als u een sleuf of slijtplek ziet ([Figuur 24B](#) en [Figuur 24C](#)), moet u het mes vervangen; zie [Onderhoud van het maimes](#) (bladz. 21).



Figuur 24

- | | |
|----------------------------|-----------------|
| 1. Vleugel | 3. Slijtage |
| 2. Platte deel van het mes | 4. Groefvorming |

Opmerking: De beste resultaten krijgt u door een nieuw mes te monteren voordat het maaiseizoen begint. In de loop van het jaar vijlt u dan kleine inkepingen of deuken weg, zodat u een goede snijkant blijft houden.

⚠ GEVAAR

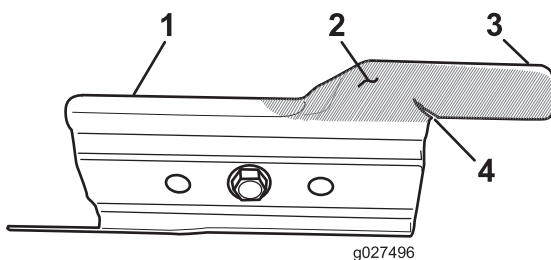
Een versleten of beschadigd mes kan breken en een stuk van het mes kan worden uitgeworpen in uw richting of die van omstanders, wat ernstig of zelfs dodelijk letsel kan veroorzaken.

- Controleer op gezette tijden het maaimes op slijtage of beschadigingen.
- Vervang een versleten of beschadigd mes.

Het gaspedaal controleren

Onderhoudsinterval: Bij elk gebruik of dagelijks—Controleer het gaspedaal op slijtage of beschadigingen.

Controleer het gaspedaal zorgvuldig op overmatige slijtage (Figuur 25). Omdat het metaal kan wegslijten door zand en schurend materiaal (vooral in de zone getoond als item 2 in Figuur 25), dient u het gaspedaal te controleren voordat u de machine gebruikt. Indien u vaststelt dat een lip op het gaspedaal is afgesleten tot een scherpe rand of als er een scheur is, dient u het gaspedaal te vervangen; zie [Het gaspedaal controleren](#) (bladz. 22).



Figuur 25

- | | |
|---------------------------|--------------------|
| 1. Gaspedaal | 3. Lip |
| 2. Slijtagegevoelige plek | 4. Gevormde scheur |

⚠ WAARSCHUWING

Een versleten of beschadigd gaspedaal kan breken en een stuk van het gaspedaal kan worden uitgeworpen in de richting van de gebruiker of omstanders en zo ernstig lichamelijk of dodelijk letsel toebrengen.

- Controleer het gaspedaal regelmatig op slijtage of beschadigingen.
- Vervang een versleten of beschadigd gaspedaal.

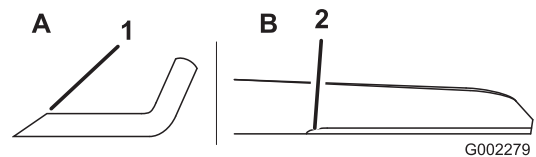
Het maaimes verwijderen

1. Pak het uiteinde van het mes vast met een lap of een dikke handschoen.
2. Verwijder de mesbout, de klemring, de versneller en het mes (Figuur 24).

Het maaimes slijpen

Onderhoudsinterval: Om de 50 bedrijfsuren—Het mes slijpen of vervangen. Voer dit onderhoud vaker uit in ruwe of zanderige maaioomstandigheden: hierbij wordt de rand namelijk sneller bot.

Vijl de bovenkant van het mes bij, zodat de oorspronkelijke snijhoek (Figuur 26A) en binnenste snijkantradius (Figuur 26B) gehandhaafd blijven. Het mes blijft in balans als u evenveel materiaal weghaalt van beide snijkanten.

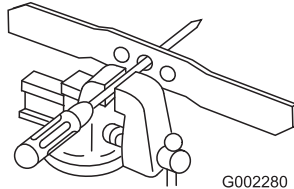


Figuur 26

1. Slijp het mes alleen onder deze hoek.
2. Behoud hier de oorspronkelijke radius.

Balanceren van het mes

1. Controleer de balans van het mes door het gat in het midden van het mes boven een spijker of de steel van een schroevendraaier te houden, die horizontaal in een bankschroef is geklemd (Figuur 27).



Figuur 27

Opmerking: U kunt de balans ook controleren met behulp van een voor commerciële doeleinden vervaardigde mesbalans.

2. Als één van de uiteinden van het mes omlaag draait, vijlt u aan die kant materiaal weg (niet van de snijrand of het uiteinde bij de snijrand) tot het mes in evenwicht blijft.

Het maaimes monteren

1. Monteer een scherp, gebalanceerd Toro-mes, de versneller, de klemring en de mesbout. De vleugel van het mes moet naar de bovenkant van de maaikast wijzen om het mes op de juiste wijze te monteren.

Opmerking: Draai de mesbout aan met een torsie van 68 N m.

⚠ WAARSCHUWING

Als u de maaimachine zonder versneller gebruikt, kan het mes verbuigen, kromtrekken of breken. Hierdoor kan ernstig of zelfs dodelijk letsel worden toegebracht aan u of aan omstanders.

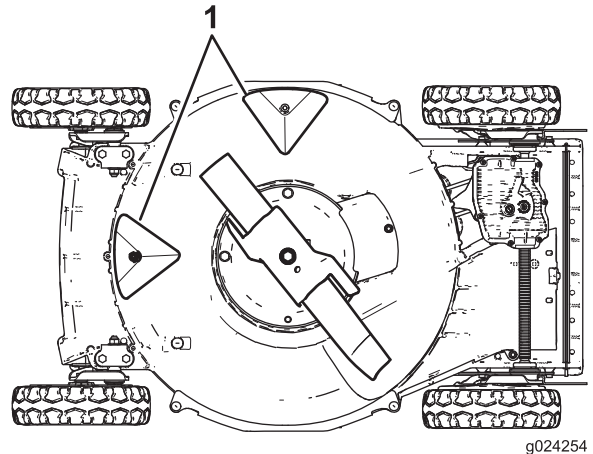
Gebruik de machine nooit zonder dat de versneller is geplaatst.

2. Zet de maaimachine terug in de bedrijfsstand.

Reiniging

De onderkant van de machine reinigen

Om de beste maairesultaten te verkrijgen, moet u de onderkant van de machine schoonhouden. Let vooral op dat er geen vuil of rommel aan de uitstoters zit (Figuur 28).



Figuur 28

1. Uitstoters

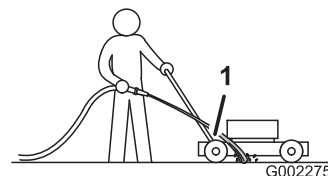
Wassen

Onderhoudsinterval: Bij elk gebruik of dagelijks

⚠ WAARSCHUWING

Er kan materiaal losraken dat zit vastgekoekt aan de onderkant van de maaimachine.

- Draag oogbescherming.
 - Blijf in de bedieningspositie (achter de handgreep) staan als de motor loopt.
 - Houd omstanders uit de buurt.
1. Zet de maaimachine op een vlak oppervlak van asfalt of beton, dicht bij een tuinslang.
 2. Start de motor.
 3. Houd de tuinslang ter hoogte van de handgreep en richt de waterstraal op de grond, net vóór het rechter achterwiel (Figuur 29).



Figuur 29

1. Rechter achterwiel

Opmerking: Het maaimes zuigt het water in de maaimachine, waardoor het maaisel wordt weggespoeld. Laat het water lopen totdat er geen maaisel meer onder de machine vandaan komt.

4. Zet de motor af en wacht totdat alle bewegende onderdelen tot stilstand gekomen zijn.
5. Draai de kraan dicht.
6. Start de machine en laat deze een aantal minuten draaien om de onderkant van de machine en de componenten ervan te laten opdrogen.

Schrappen

Als u niet al het vuil aan de onderkant van de maaimachine kunt wegwassen, moet u de machine schoon schrapen.

1. Verwijder de bougiekabel van de bougie.
2. Tap de benzine af uit de brandstoftank.

⚠ WAARSCHUWING

Als de maaimachine kantelt, kan er benzine uit de carburateur of benzinetank lekken. Benzine is uitermate ontvlambaar en explosief en kan in bepaalde omstandigheden lichamelijk letsel of materiële schade veroorzaken.

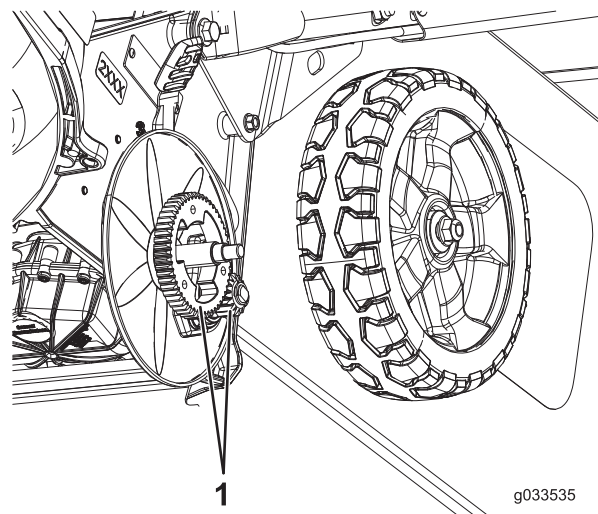
Voorkom dat er benzine wordt gemorst door de motor droog te laten lopen of de benzine te verwijderen met een handpomp.

3. Kantel de maaimachine **op zijn rechterkant** met het luchtfilter naar boven.
4. Verwijder vuil en maaisel met een hardhouten schraper. Vermijd bramen en scherpe randen.
5. Zet de maaimachine terug in de bedrijfsstand.
6. Sluit de bougiekabel aan op de bougie.

Schoonmaken van de wielen

Onderhoudsinterval: Om de 40 bedrijfsuren

1. Verwijder de achterwielen en verwijder vervuiling in dit gebied.



Figuur 30

1. Tandwielen

2. Breng na het schoonmaken een kleine hoeveelheid anti-seize middel aan op de tandwielen.

Opmerking: Als de machine onder extreme omstandigheden wordt gebruikt zal het schoonmaken van de wielen met kortere tussenpozen bijdragen aan een langere levensduur van de tandwielen.

Opmerking: Gebruik geen hogedrukreiniger op de lagers, dit om schade aan de afdichtingen van de lagers te voorkomen.

Stalling

Om de maaimachine klaar te maken voor de stalling buiten het maaiseizoen, moeten de aanbevolen onderhoudsprocedures worden uitgevoerd; raadpleeg [Onderhoud](#) (bladz. 18).

Stal de maaimachine op een koele, schone, droge plaats. Dek de machine af om deze schoon te houden en te beschermen.

Het brandstofsysteem gebruiksklaar maken

⚠ WAARSCHUWING

Benzine kan bij langdurige opslag verdampen en de benzinedampen kunnen ontploffen als zij in contact komen met een open vuur.

- Bewaar benzine niet voor langere tijd.
- Stal de maaimachine niet met benzine in de brandstoftank of de carburateur in een afgesloten ruimte waar open vuur is. (bijvoorbeeld een oven of de waakvlam van een boiler).
- Laat de motor afkoelen voordat u de maaimachine in een afgesloten ruimte stalt.

Maak de brandstoftank leeg nadat u de machine voor de laatste keer hebt gebruikt voordat deze de stalling ingaat.

1. Laat de motor lopen totdat deze afslaat door gebrek aan benzine.
2. Choke de motor en start deze nogmaals.
3. Laat de motor lopen totdat deze afslaat. Als de motor niet meer wil starten, is de benzine voldoende verbruikt.

De motor gebruiksklaar maken

1. Terwijl de motor nog warm is, ververs u de olie in het carter; raadpleeg [Motorolie verversen](#) (bladz. 19).
2. Verwijder de bougie.
3. Giet met een oliekan ongeveer 30 ml motorolie in het carter via de bougieopening.
4. Laat de motor enkele keren draaien door de handstarter uit te trekken om de olie over het carter te verdelen.
5. Monteer de bougie, maar sluit de bougiekabel **niet** aan op de bougie.

Algemene informatie

1. De onderkant van de machine reinigen; raadpleeg [De onderkant van de machine reinigen](#) (bladz. 23).
2. Haal eventueel vuil en maaisel van de cilinder, de koelribben van de cilinderkop en het ventilatorhuis.
3. Verwijder maaisel, vuil en roet van de buitenste motoronderdelen, de uitlaatring en de bovenkant van de maakast.
4. Controleer de staat van het maaimes; raadpleeg [Het mes controleren](#) (bladz. 21).
5. Geef het luchtfilter een onderhoudsbeurt; zie [Onderhoud van het luchtfilter](#) (bladz. 19).
6. Draai alle moeren, bouten en schroeven goed aan.
7. Werk alle geroeste of afgebladderde verfoppervlakken bij met lak die verkrijgbaar is bij een erkende Service Dealer.

De maaimachine uit de stalling halen

1. Controleer alle bevestigingen en draai deze vast.
2. Verwijder de bougie en draai de motor snel rond met behulp van het startkoord om overtollige olie uit de cilinder te verwijderen.
3. Maak de bougie schoon, of monteer een nieuwe als de oude bougie gebarsten of gebroken is, of als de elektroden versleten zijn.
4. Monteer de bougie; zie [Onderhoud van de bougie](#) (bladz. 20).
5. Voer de vereiste onderhoudsprocedures uit; zie [Onderhoud](#) (bladz. 18).
6. Vul de brandstoftank met verse benzine.
7. Controleer het motoroliepeil.
8. Sluit de bougiekabel aan op de bougie.

Problemen, oorzaak en remedie

Probleem	Mogelijke oorzaak	Remedie
De motor start niet.	<ol style="list-style-type: none"> 1. Brandstoftank leeg of oude benzine in het brandstofsysteem. 2. De gashendel staat niet op Choke. 3. De bougiekabel is niet aangesloten op de bougie. 4. De bougie is aangetast, vuil, of de elektrodenafstand is niet correct afgesteld. 	<ol style="list-style-type: none"> 1. Brandstoftank aftappen en vullen met verse benzine. Neem contact op met een erkende Service Dealer, als het probleem blijft voortduren. 2. Gashendel op Choke zetten. 3. Sluit de bougiekabel aan op de bougie. 4. De bougie controleren en indien nodig de elektrodenafstand afstellen. De bougie vervangen als deze aangetast, vuil of gebarsten is.
De motor start moeilijk of verliest vermogen.	<ol style="list-style-type: none"> 1. De brandstoftank bevat oude benzine. 2. Het luchtfilterelement is vuil en belemmert de luchtstroom. 3. De onderkant van de maaikast is bedekt met maaisel en rommel. 4. De bougie is aangetast, vuil, of de elektrodenafstand is niet correct afgesteld. 5. Het motoroliepeil is te laag of de olie is vuil. 	<ol style="list-style-type: none"> 1. Brandstoftank aftappen en vullen met verse benzine. 2. Het schuimelement reinigen en/of het papierelement vervangen. 3. De onderkant van de maaikast reinigen. 4. De bougie controleren en indien nodig de elektrodenafstand afstellen. De bougie vervangen als deze aangetast, vuil of gebarsten is. 5. Motoroliepeil controleren. Olie verversen als deze vuil is of olie bijvullen als het oliepeil te laag is.
De motor loopt onregelmatig.	<ol style="list-style-type: none"> 1. De bougiekabel is niet aangesloten op de bougie. 2. De bougie is aangetast, vuil, of de elektrodenafstand is niet correct afgesteld. 3. De gashendel staat niet op Snel 4. Het luchtfilterelement is vuil en belemmert de luchtstroom. 	<ol style="list-style-type: none"> 1. Sluit de bougiekabel aan op de bougie. 2. De bougie controleren en indien nodig de elektrodenafstand afstellen. De bougie vervangen als deze aangetast, vuil of gebarsten is. 3. Zet de gashendel op Snel. 4. Het schuimelement reinigen en/of het papierelement vervangen.
De maaimachine of de motor trilt abnormaal.	<ol style="list-style-type: none"> 1. Het mes is verbogen of uit balans. 2. De montagemoeren van het maaimes zitten los. 3. De onderkant van de machine is bedekt met maaisel en vuil. 4. De bevestigingsbouten van de motor zitten los. 	<ol style="list-style-type: none"> 1. Het mes balanceren. Het mes vervangen als dit is verbogen. 2. De montagemoeren vastdraaien. 3. Onderkant van het machine schoonmaken. 4. De bevestigingsbouten van de motor vastdraaien.
Ongelijkmatig maaipatroon.	<ol style="list-style-type: none"> 1. Alle vier wielen staan niet op dezelfde hoogte. 2. Het mes is bot. 3. U maait steeds in hetzelfde patroon. 4. De onderkant van de machine is bedekt met maaisel en vuil. 	<ol style="list-style-type: none"> 1. Alle vier de wielen instellen op dezelfde hoogte. 2. Mes slijpen en balanceren. 3. In een ander patroon maaien. 4. Onderkant van het machine schoonmaken.
Het uitwerpkanaal raakt verstopt.	<ol style="list-style-type: none"> 1. De gashendel staat niet op Snel 2. De maaihoogte is te laag. 3. U maait te snel. 4. Het gras is nat. 5. De onderkant van de machine is bedekt met maaisel en vuil. 	<ol style="list-style-type: none"> 1. Zet de gashendel op Snel. 2. Instellen op een hogere maaistand. 3. Verminder uw snelheid. 4. Het gras eerst laten drogen voordat u gaat maaien. 5. Onderkant van het machine schoonmaken.

Probleem	Mogelijke oorzaak	Remedie
De zelfaandrijving van de maaimachine werkt niet.	<ol style="list-style-type: none">1. De kabel van de zelfaandrijving is ontsteld of beschadigd.2. Er zit rommel onder de drijfriemkap.	<ol style="list-style-type: none">1. De kabel van de zelfaandrijving afstellen. De kabel vervangen indien dit nodig is.2. De rommel onder de drijfriemkap verwijderen.

Opmerkingen:

Lijst met internationale dealers

Dealer:	Land:	Telefoonnummer:	Dealer:	Land:	Telefoonnummer:
Agrolanc Kft	Hongarije	36 27 539 640	Maquiver S.A.	Colombia	57 1 236 4079
Balama Prima Engineering Equip.	Hongkong	852 2155 2163	Maruyama Mfg. Co. Inc.	Japan	81 3 3252 2285
B-Ray Corporation	Korea	82 32 551 2076	Mountfield a.s.	Tsjechië	420 255 704 220
Casco Sales Company	Puerto Rico	787 788 8383	Mountfield a.s.	Slovakije	420 255 704 220
Ceres S.A.	Costa Rica	506 239 1138	Munditol S.A.	Argentinië	54 11 4 821 9999
CSSC Turf Equipment (pvt) Ltd.	Sri Lanka	94 11 2746100	Norma Garden	Rusland	7 495 411 61 20
Cyril Johnston & Co.	Noord-Ierland	44 2890 813 121	Oslinger Turf Equipment S.A.	Ecuador	593 4 239 6970
Cyril Johnston & Co.	Republiek Ierland	44 2890 813 121	Oy Hako Ground and Garden Ab	Finland	358 987 00733
Equiver	Mexico	52 55 539 95444	Parkland Products Ltd.	Nieuw-Zeeland	64 3 34 93760
Femco S.A.	Guatemala	502 442 3277	Perfetto	Polen	48 61 8 208 416
ForGarder OU	Estland	372 384 6060	Pratoverde SRL.	Italië	39 049 9128 128
G.Y.K. Company Ltd.	Japan	81 726 325 861	Prochaska & Cie	Oostenrijk	43 1 278 5100
Geomechanik of Athens	Griekenland	30 10 935 0054	RT Cohen 2004 Ltd.	Israël	972 986 17979
Golf international Turizm	Turkije	90 216 336 5993	Riversa	Spanje	34 9 52 83 7500
Guandong Golden Star	China	86 20 876 51338	Lely Turfcare	Denemarken	45 66 109 200
Hako Ground and Garden	Zweden	46 35 10 0000	Solvert S.A.S.	Frankrijk	33 1 30 81 77 00
Hako Ground and Garden	Noorwegen	47 22 90 7760	Spypros Stavrinides Limited	Cyprus	357 22 434131
Hayter Limited (U.K.)	Verenigd Koninkrijk	44 1279 723 444	Surge Systems India Limited	India	91 1 292299901
Hydroturf Int. Co Dubai	Verenigde Arabische Emiraten	97 14 347 9479	T-Markt Logistics Ltd.	Hongarije	36 26 525 500
Hydroturf Egypt LLC	Egypte	202 519 4308	Toro Australia	Australië	61 3 9580 7355
Irrimac	Portugal	351 21 238 8260	Toro Europe NV	België	32 14 562 960
Irrigation Products Int'l Pvt Ltd.	India	0091 44 2449 4387	Valtech	Marokko	212 5 3766 3636
Jean Heybroek BV	Nederland	31 30 639 4611	Victus Emak	Polen	48 61 823 8369

Privacyverklaring voor Europa

De informatie die Toro verzamelt

Toro Warranty Company (Toro) respecteert uw privacy. Om uw aanspraak op garantie te behandelen en contact met u op te nemen in het geval van een terugroepactie vragen wij om bepaalde persoonlijke informatie, hetzij direct of via uw lokale Toro-dealer.

Het Toro garantiesysteem wordt gehost op servers in de Verenigde Staten, waar de privacywet mogelijk niet dezelfde bescherming biedt als in uw land.

DOOR UW PERSOONLIJKE GEGEVENS MET ONS TE DELEN STEM T U IN MET DE VERWERKING VAN UW PERSOONSGEGEVENS ZOALS BESCHREVEN IN DEZE PRIVACYVERKLARING.

Hoe Toro informatie gebruikt

Toro kan uw persoonsgegevens gebruiken om uw aanspraak op garantie te behandelen, contact met u op te nemen in het geval van een terugroepactie, of voor een ander doeleinde waarvan we u op de hoogte brengen. Toro kan uw informatie delen met zijn afdelingen, verdelers of andere zakenpartners in verband met deze activiteiten. We verkopen uw persoonsgegevens niet aan andere bedrijven. We behouden ons het recht voor om persoonsgegevens te delen teneinde te voldoen aan geldende wetten en verzoeken van de aangewezen autoriteiten, opdat wij onze systemen naar behoren kunnen gebruiken of met het oog op onze eigen bescherming of die van andere gebruikers.

Behoud van uw persoonlijke informatie

Wij bewaren uw persoonsgegevens zo lang als nodig is voor de doeleinden waarvoor ze oorspronkelijk werden verzameld of voor andere legitieme doeleinden (zoals naleving van voorschriften), of zo lang als vereist is door de van toepassing zijnde wet.

Toro's engagement voor de bescherming van uw persoonlijke informatie

Wij nemen redelijke voorzorgen om uw persoonlijke informatie te beschermen. We proberen bovendien de nauwkeurigheid en geldigheid van persoonlijke gegevens te waarborgen.

Toegang tot en aanpassing van uw persoonlijke informatie

Als u toegang wenst tot uw persoonlijke gegevens of deze wilt aanpassen, gelieve dan een e-mail te sturen naar legal@toro.com.

Australische consumentenwet

Australische klanten kunnen voor informatie over de Australische consumentenwet (Australian Consumer Law) terecht bij de lokale Toro-distributeur of ze kunnen deze informatie in de doos vinden.



Voorwaarden en producten waarvoor de garantie geldt

The Toro Company en de hieraan gelieerde onderneming, Toro Warranty Company, geven aan de oorspronkelijke aankoper krachtens een overeenkomst tussen beide ondernemingen gezamenlijk de garantie alle onderstaande Toro-producten te repareren als deze materiaalgebreken of fabricagefouten vertonen.

De volgende perioden zijn van toepassing vanaf de datum van de oorspronkelijke aankoop:

Producten	Garantieperiode
Loopmaaiers	
Maaiers van 53 cm voor particulier gebruik ¹	2 jaar
Maaiers van 53 cm voor commercieel gebruik	1 jaar
Maaiers van 76 cm voor particulier gebruik ¹	2 jaar
Maaiers van 76 cm voor commercieel gebruik	1 jaar
Middelgrote loopmaaiers	2 jaar
• Motor	2 jaar ²
Grand Stand®-maaiers	5 jaar of 1200 bedrijfsuur ³
• Motor	2 jaar
• Frame	Levenslang (alleen oorspronkelijke eigenaar) ⁴
Z Master® maaiers 2000-serie	4 jaar of 500 bedrijfsuur ³
• Motor	2 jaar ²
• Frame	Levenslang (alleen oorspronkelijke eigenaar) ⁴
Z Master® maaiers 3000-serie	5 jaar of 1200 bedrijfsuur ³
• Motor	2 jaar ²
• Frame	Levenslang (alleen oorspronkelijke eigenaar) ⁴
Z Master® maaiers 5000- en 6000-serie	5 jaar of 1200 bedrijfsuur ³
• Motor	2 jaar ²
• Frame	Levenslang (alleen oorspronkelijke eigenaar) ⁴
Z Master® maaiers 7000-serie	5 jaar of 1200 bedrijfsuur ³
• Motor	2 jaar ²
• Frame	Levenslang (alleen oorspronkelijke eigenaar) ⁴
Alle maaiers	
• Accu	2 jaar
• Werktuigen	2 jaar

¹Tuisgebruik betekent gebruik van het product op het terrein dat bij uw huis hoort. Gebruik op meerdere locaties wordt beschouwd als commercieel. Hierop is de garantie voor commercieel gebruik van toepassing.

²Voor bepaalde motoren van de Toro LCE-producten geldt een garantie van de fabrikant van de motor.

³De optie die zich het eerst aandient moet worden aangehouden.

⁴Levenslange garantie op het frame. Als het hoofdframe – bestaand uit onderdelen die aan elkaar zijn gelast die samen de structuur van de tractor vormen waaraan andere onderdelen zoals de motor zijn bevestigd – scheuren of breuken vertoont na normaal gebruik, wordt het frame gerepareerd of vervangen zonder kosten voor onderdelen of arbeid. Als het frame gebreken vertoont ten gevolge van misbruik of verkeerd gebruik of ten gevolge van corrosie, dan dekt de garantie dat niet.

Deze garantie dekt de kosten van onderdelen en werk, maar de transportkosten zijn voor rekening van de klant.

Aanwijzingen voor aanvraag van garantieservice

Als u van mening bent dat een Toro-product materiaalgebreken of fabricagefouten vertoont, moet u deze procedure volgen:

1. Neem contact op met de verkoper om het product te laten nakijken of te repareren. Als u om wat voor reden dan ook geen contact kunt opnemen met de verkoper, neem dan contact op met een andere erkende Toro-dealer om onderhoud te laten plegen.
2. Breng het product met uw aankoopbewijs (kwitantie) naar de Service Dealer.
3. Als u om enige reden ontevreden bent over het onderzoek van de servicedealer of de verleende hulp, verzoeken wij u contact met ons op te nemen via:

RLC Customer Care Department

Toro Warranty Company
8111 Lyndale Avenue South
Bloomington, MN 55420-1196 VS
+1 952-948-4707

Zie bijgevoegde lijst met dealers.

Plichten van de eigenaar

U dient uw Toro-product te onderhouden zoals wordt beschreven in de *Gebruikershandleiding*. Dit routineonderhoud is voor uw rekening, ongeacht of dit wordt uitgevoerd door de dealer of uzelf.

Zaken en gevallen die niet onder de garantie vallen

Er is geen andere uitdrukkelijke garantie behalve voor speciale emissiesystemen en motoren van sommige producten. Buiten deze expliciete garantie vallen:

- Kosten van gewoon onderhoud of onderdelen, zoals filters, brandstof, smeermiddelen, olieverseringen, bougies, luchtfilters, slijpen van maaimessen, versleten maaimessen, afstelling van kabels/overbrengingsmechanismen, afstelling van de rem en de koppeling.
- Onderdelen die het laten afweten ten gevolge van normale slijtage
- Elk product of onderdeel dat is veranderd, verwaarloosd of verkeerd is gebruikt en moet worden vervangen of worden gerepareerd als gevolg van ongelukken of gebrekkig onderhoud.
- Ophaal- en afleverkosten
- Reparaties of reparatiepogingen die niet zijn uitgevoerd door een Erkende Toro Service Dealer
- Vervangingen die nodig zijn door niet-naleving van de brandstofs specificaties (raadpleeg de *Gebruikershandleiding* voor meer informatie)
 - Verontreiniging uit het brandstofsysteem halen wordt niet gedekt
 - Gebruik van oude brandstof (meer dan een maand oud) of brandstof die meer dan 10% ethanol of meer dan 15% MTBE bevat
 - Het brandstofsysteem is niet goed voorbereid op een periode van buitengebruikstelling van langer dan één maand

Algemene voorwaarden

De koper wordt beschermd door de nationale wetgeving van elk land. De rechten waarover de koper beschikt op grond van deze wetgeving, worden niet beperkt door deze garantie.