



Count on it.

Parts Catalog

41cm Recycler[®]

Lawn Mower

Model No. 21132—Serial No. 315000001 and Up



Ordering Replacement Parts

To order replacement parts, please supply the part number, the quantity, and the description of each part desired.

Understanding Reference Numbers

Each identified part in an illustration has a reference number. The reference number for a part also appears in the parts list, along with other information about the part.

This catalog uses two special reference number formats, one to indicate parts in a service assembly and another to indicate the quantity of a given part in an illustration.

Service Assembly Reference Numbers

Parts in service assemblies have reference numbers in the form a:b. The a represents the reference number of the entire service assembly and the b represents a sequential number unique to each part within the service assembly.

For example, a wheel assembly might be identified by reference number 6, the tire by 6:1, the valve by 6:2, and the wheel by 6:3. When you order the assembly identified by reference number 6, you receive all parts identified by reference numbers 6:1, 6:2, and 6:3. However, you may also order any part individually. Reference numbers of this type appear in illustration and in parts lists.

Reference Numbers Indicating Quantity

In an illustration, if a reference number indicates more than one part, the reference number has the form nX y. The n represents the quantity of the part, the X is the multiplication symbol, and the y represents the reference number.

For example, in an illustration, the reference number 2X 37 means that two of the parts identified by reference number 37 are indicated.

List of Abbreviations

AR: as required

ASM: assembly

BBC: blade brake control

BHTF: button head thread forming

CARR: carriage

CCW: counter clockwise

CW: clockwise

DEG: degrees

DPA: Dual Point Adjustment

ECM: electronic control module

EXT: external

FH: flat head

GA: gauge

HD: heavy-duty

HF: hex flange

HH: hex head

HHF: hex head flange

HHFTF: hex head flange thread forming

HJ: hex jam

HLH: hex lag head

HOC: height-of-cut

HP: high pressure

HSBH: hex socket button head

HSFH: hex socket flat head

HSH: hex socket head

HWH: hex washer head

HWHTF: hex washer head thread forming

HYD: hydraulic

LH: left hand

LP: low pressure

LPG: Liquefied Petroleum Gas

NI: nylon insert

NPTF: national pipe thread fine

PFH: phillips flat head

PPH: phillips pan head

PPHTF: phillips pan head thread forming

PRH: phillips round head

PTH: phillips truss head

PTO: power-take-off

RH: right hand

ROPS: roll-over protection system

RRB: rear roller brush

SFH: slotted fillister head

SHH: slotted hex head

SHWH: slotted hex washer head

SPH: slotted pan head

SQH: square head

SRH: slotted round head

STD: standard

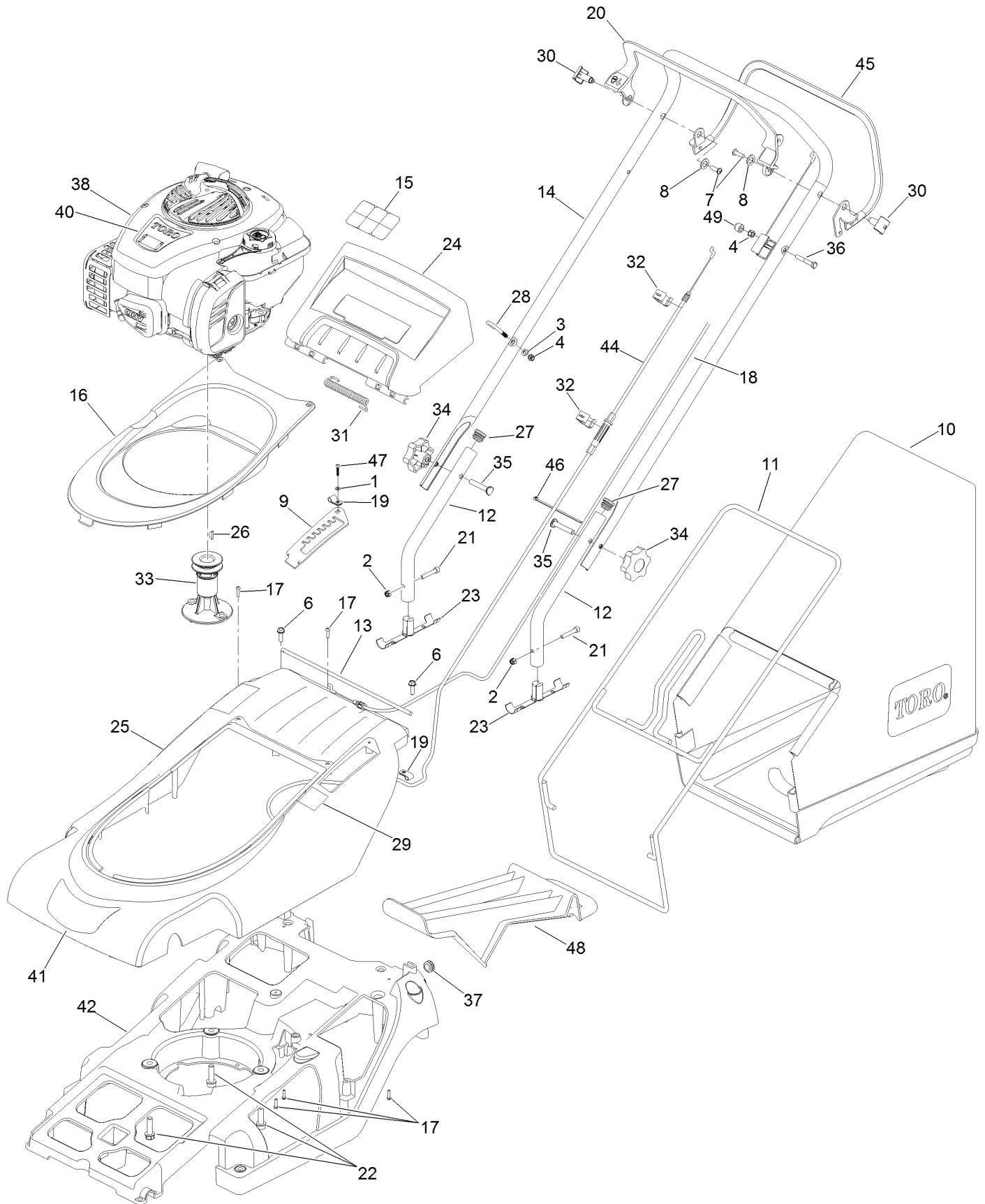
TAP: self tapping

TTH: torx truss head

Contents

Engine, Chassis, Handle and Bag Assembly..... 4
Deck, Wheel and Blade Assembly..... 6

Engine, Chassis, Handle and Bag Assembly



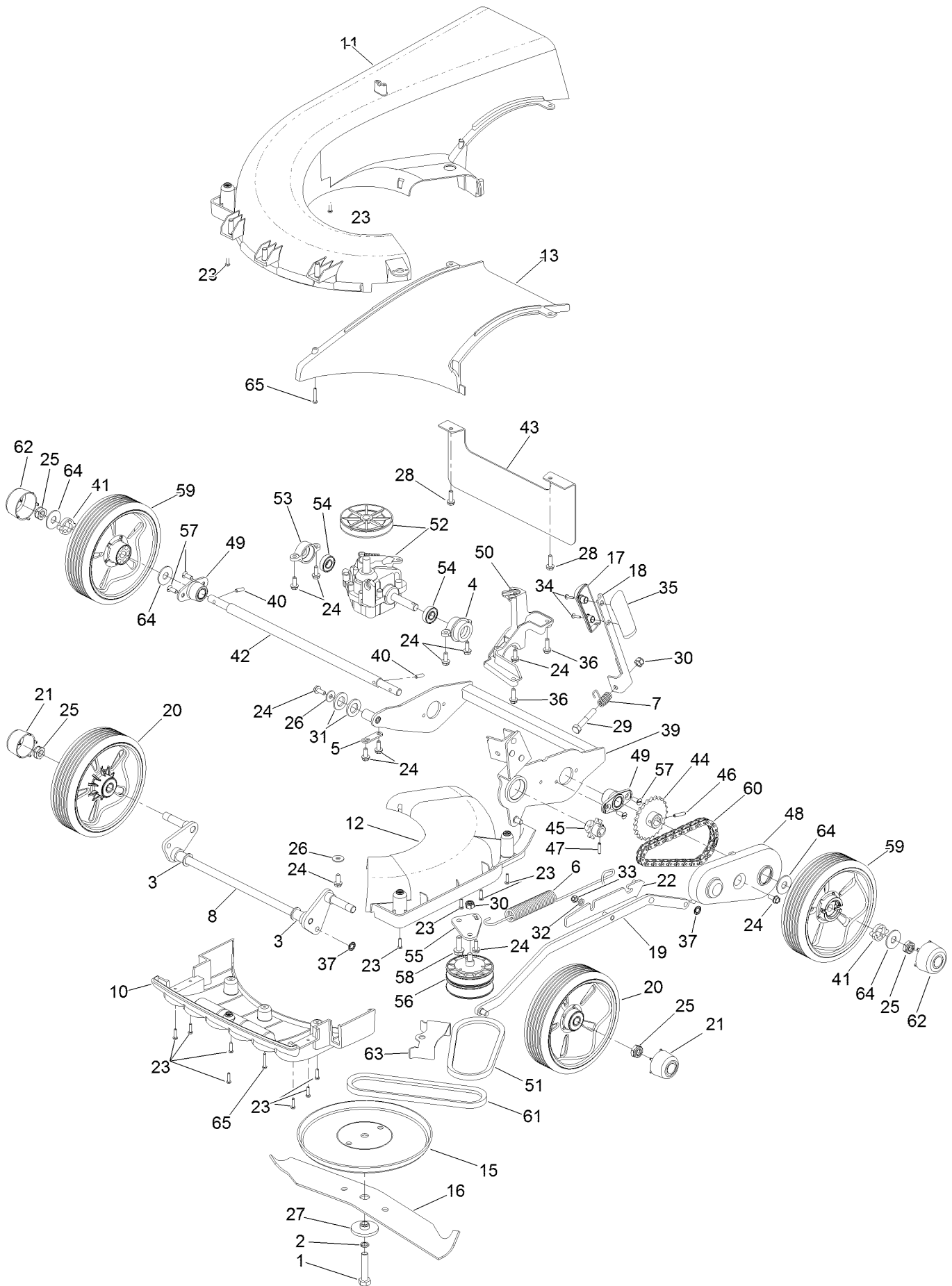
Engine, Chassis, Handle and Bag Assembly (continued)

<i>Ref.</i>	<i>Part Number</i>	<i>Qty.</i>	<i>Description</i>	<i>Ref.</i>	<i>Part Number</i>	<i>Qty.</i>	<i>Description</i>
1	09658	1	Washer	26	1662	1	Key-Woodruff
2	09438	1	Nut-Nyloc	27	300160	2	Plug-Tube
3	09472	1	Washer-Plain	28	305093	1	Guide-Rope
4	09544	2	Nut-Nyloc	29	320006	1	Decal-HOC
6	09575	2	Screw-Taptite	30	340182	2	Pin-Pivot
7	09687	2	Screw	31	410030	1	Spring-Deflector
8	09688	6	Washer-Nylon	32	410037	2	Guide-Cable
9	111-0040	1	Plate-HOC	33	410078	1	Carrier-Blade
10	111-4025	1	Grassbag	34	480088	2	Knob-Handlebar
11	111-0045-03	1	Frame-Grassbag	35	HY226024	2	Bolt-Handlebar
12	111-0051-03	2	Handlebars-Lower	36	ZBH1F040U	1	Screw-HH
13	111-0056	1	Bar-Hinge	37	111-2155	1	Grommet-Rubber
14	111-0079-03	1	Handlebars	38		1	Engine-Briggs, 09P7020022H1 ●■
15	111-0083	1	Decal-Safety	40	111-5433	1	Decal-Engine
16	111-0089	1	Moulding-Trim	41	111-5432	1	Decal-Recycle
17	111-0094	5	Screw	42	111-0031-07	1	Chassis
18	111-0096	1	Cable-Brake, Engine	44	111-5481	1	Cable-Clutch, Auto-Drive
19	111-0098	2	Clip-P	45	306094W	1	Lever-Clutch
20	340179	1	Lever-Engine	46	HY3966	1	Tie-Cable
21	111-0118	2	Screw-Socket	47	111-6806	1	Screw-Plastite
22	09349	3	Screw-Taptite, Unc	48	111-4382	1	Plug-Mulching
23	111-0960	2	Plug-Handlebar	49	343025	1	Cap-Plastic
24	111-1043	1	Moulding-Deflector, Rear				
25	111-3978	1	Top-Cover				

● Not serviced separately

■ Obtain parts from www.briggsandstratton.com

Deck, Wheel and Blade Assembly



Deck, Wheel and Blade Assembly (continued)

<i>Ref.</i>	<i>Part Number</i>	<i>Qty.</i>	<i>Description</i>	<i>Ref.</i>	<i>Part Number</i>	<i>Qty.</i>	<i>Description</i>
1	09788	1	Bolt-Unf	35	111-0105	1	Knob-HOC, LH
2	09273	1	Washer-Spring	36	09364	2	Screw-HH
3	410069	2	Bearing-Axle, Front	37	0201086	2	Washer-Starlock
4	410048	1	Housing-Pivot Bearing, LH	39	111-3981-03	1	Frame-Rear Wheel
5	219037	1	Plate-Securing	40	111-3866	2	Key-Drive
6	410050	1	Spring-Counter Balance	41	111-3865	2	Cam-Drive
7	111-0078	1	Spring-HOC	42	111-3862	1	Axle-Rear
8	111-0027	1	Axle-Front	43	111-5304-03	1	Guard-Rear
10	111-0034	1	Moulding-Fin	44	111-5479	1	Sprocket-24T
11	111-0037	1	Moulding-Snail Deck	45	411011	1	Sprocket-Gearbox
12	111-0038	1	Moulding-Access, Snail Deck	46	HY03354	1	Pin-Spring, Selloc
13	111-0039	1	Moulding-Throw Plate	47	03997	1	Pin-Roll
15	410057W	1	Disc-Friction	48	111-4911	1	Cover-Drive
16	111-0093	1	Cutterbar	49	219102	2	Housing-Bearing, Roller
17	111-0055	1	Knob-HOC, RH	50	111-5008	1	Mount-Bearing
18	111-0059	1	Lever-HOC	51	111-5115	1	Belt-Variator
19	111-0063	1	Rod-Connecting Bar	52	111-5511	1	Gearbox ASM
20	111-4036	2	Wheel ASM	53	410047	1	Housing-Gearbox, Bearing (RH)
21	111-0066	2	Cap-Wheel, Center	54	411027	2	Bearing
22	111-0073	1	Mount-Spring	55	111-0104	1	Bracket-Belt
23	111-0094	13	Screw	56	411001	1	Pulley Variator ASM
24	09365	11	Screw-Taptite	57	09545	4	Screw-Taptite
25	111-0119	4	Nut-Nyloc	58	09787	1	Screw-Taptite
26	09262	2	Washer	59	111-5440	2	Wheel Assembly (Drive, Grey)
27	HY4014	1	Spacer-Distance, Cutterbar	60	111-5518	1	Chain-43 Links
28	09575	2	Screw-Taptite	61	111-0771	1	Belt-Variator (536)
29	ZBH1H050U	1	Bolt	62	111-5466	2	Cap-Drive Wheel
30	09441	2	Nut-Hex, NI	63	111-5395-03	1	Guard-Belt
31	09491	2	Washer-Plain	64	111-4957	4	Washer-Thrust
32	09472	1	Washer-Plain	65	111-0100	2	Screw
33	09438	1	Nut-Nyloc				
34	HY100078	2	Screw				



Count on it.