



Chute Gate Kit

GrandStand® Mower

Model No. 133-1434

Installation Instructions

Note: Determine the left and right sides of the machine from the normal operating position.

⚠ WARNING

CALIFORNIA Proposition 65 Warning

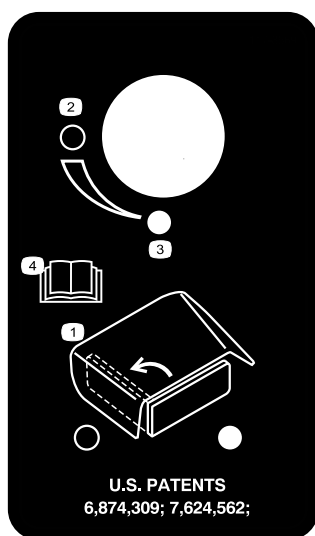
This product contains a chemical or chemicals known to the State of California to cause cancer, birth defects, or reproductive harm.

Safety

Safety and Instructional Decals



Safety decals and instructions are easily visible to the operator and are located near any area of potential danger. Replace any decal that is damaged or lost.



117-8569

- | | |
|-------------------------------|--|
| 1. Operator discharge control | 3. Closed |
| 2. Open | 4. Read the <i>Operator's Manual</i> . |



Installation

Loose Parts

Use the chart below to verify that all parts have been shipped.

Procedure	Description	Qty.	Use
1	No parts required	–	Remove the existing side-discharge chute.
2	Side-discharge chute Bolt (5/16 x 7-1/2 inch) Locknut (5/16 inch) Spacer Spring	1 1 1 1 1	Install the side-discharge chute.
3	Handle assembly Bolt (3/8 x 1 inch) Nut (3/8 inch)	1 2 2	Install the handle.
4	Cable tie	3	Route the cables.
5	Trash bag	1	Install the trash bag.

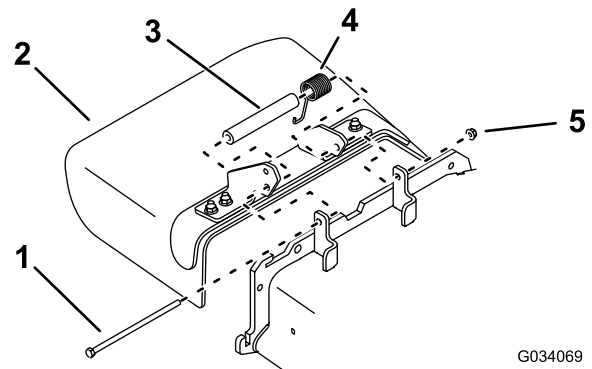
1

Removing the Existing Side-Discharge Chute

No Parts Required

Procedure

1. Shut off the engine, wait for all moving parts to stop, engage the parking brake, and remove the key.
2. Remove the locknut, bolt, spring, and spacer holding the grass deflector to the pivot brackets (Figure 1). Remove the grass deflector.



G034069

Figure 1

- | | |
|--------------------|------------|
| 1. Bolt | 4. Spring |
| 2. Grass deflector | 5. Locknut |
| 3. Spacer | |

2

Installing the Side-Discharge Chute

Parts needed for this procedure:

1	Side-discharge chute
1	Bolt (5/16 x 7-1/2 inch)
1	Locknut (5/16 inch)
1	Spacer
1	Spring

Procedure

⚠ WARNING

An uncovered discharge opening could allow the machine to throw objects at you or bystanders and result in serious injury. Also, contact with the blade could occur.

- Never operate the machine unless you install a cover plate, a mulch plate, or a grass chute and catcher.
- Make sure that the grass deflector is in the down position.

1. Align the discharge-chute bracket with deck bracket and place the new spacer and spring onto the grass deflector (Figure 2).

Note: Install the L-end of the spring behind the deck edge.

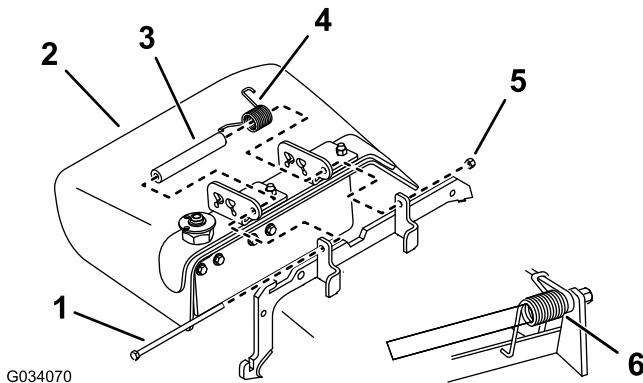


Figure 2

- | | |
|--------------------|---------------------|
| 1. Bolt | 4. Spring |
| 2. Grass deflector | 5. Locknut |
| 3. Spacer | 6. Spring installed |

2. Install the bolt and nut. Place the J-hook end of the spring around the grass deflector (Figure 2).

3. Tighten the nut until the end of the bolt is flush with the end of the nut.

Note: Do not overtighten.

Important: The grass deflector must be able to lower down into position. Lift the deflector up to test that it lowers into the full down position.

3

Installing the Handle

Parts needed for this procedure:

1	Handle assembly
2	Bolt (3/8 x 1 inch)
2	Nut (3/8 inch)

Procedure

1. Release the cushion and remove the fuel tank; refer to the *Operator's Manual* for the machine.
2. Use a 3/8 inch drill bit to drill open the 2 holes on the left side of the machine shown in Figure 3.

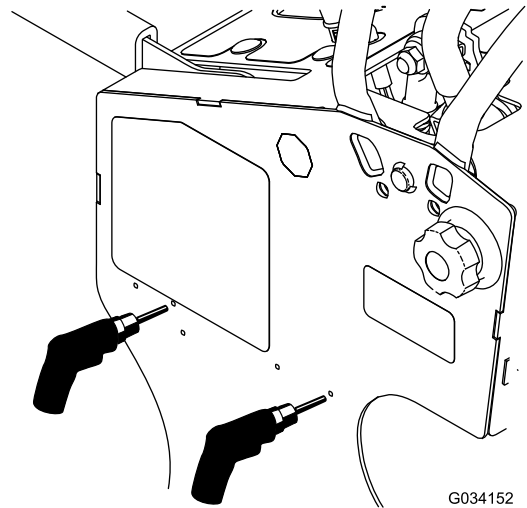


Figure 3

G034152

3. Install the handle assembly to the machine using 2 bolts and 2 nuts as shown in [Figure 4](#).

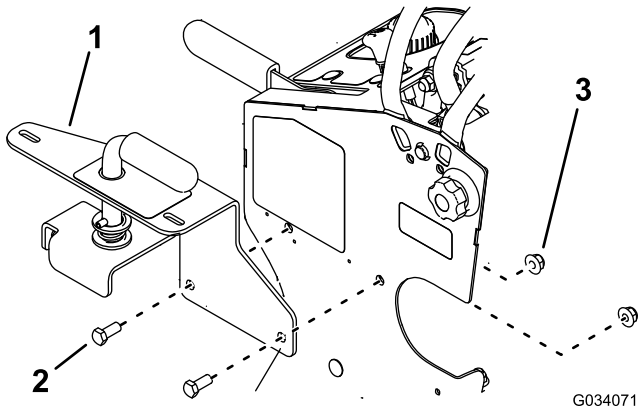


Figure 4

1. Handle assembly
2. Bolt
3. Nut

4. Install the fuel tank and secure the cushion; refer to the *Operator's Manual* for the machine.

4

Routing the Cables

Parts needed for this procedure:

3	Cable tie
---	-----------

Procedure

1. Route the cables across the machine, in front of the fuel tank ([Figure 5](#)).

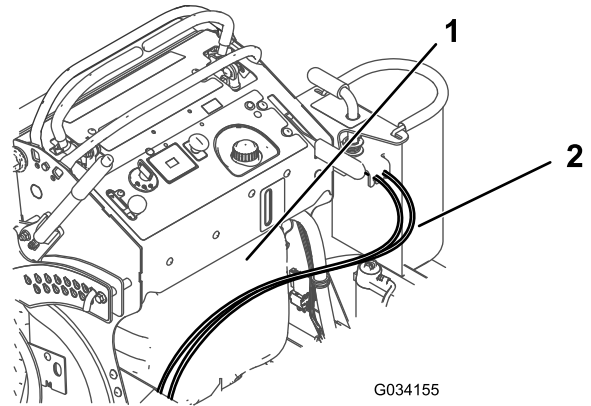


Figure 5
Engine not shown

1. Fuel tank
2. Cable

2. Route the cables through the engine plate and across the mower deck as shown in [Figure 6](#).

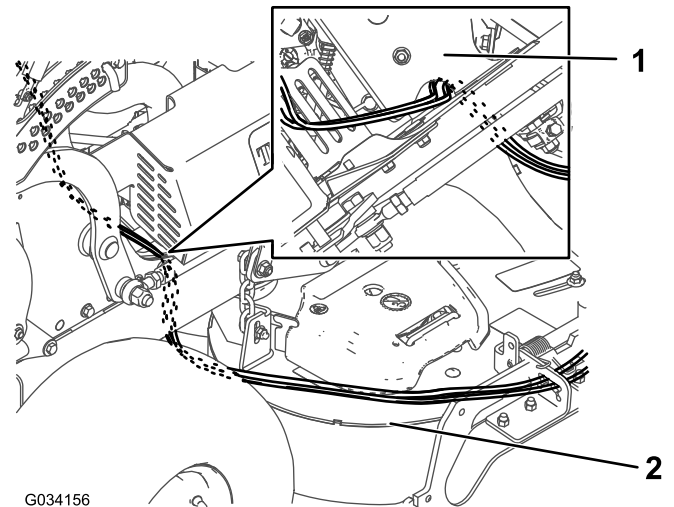


Figure 6
Engine not shown in callout bubble

1. Engine plate
2. Mower deck

- Remove the nuts from the cables.
- Thread the cables through the rear discharge-chute bracket (Figure 7).

Note: Route the cable that is on the left side of the handle assembly through the left side of the bracket; route the other cable through the right side.

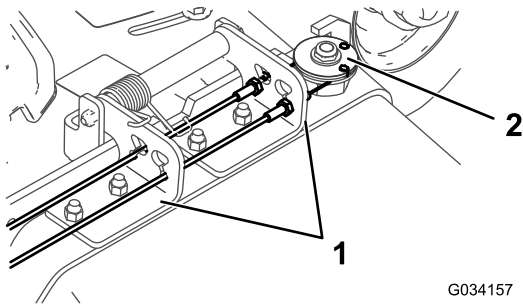


Figure 7

- Discharge-chute brackets
- Pulley

- Install 1 nut on each cable.
- Thread the cables through the front bracket and install the other nuts onto the cable (Figure 8).

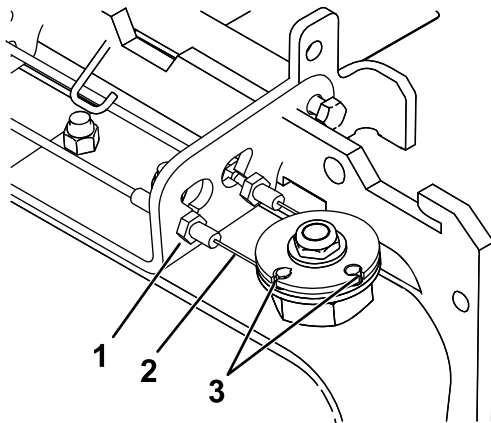


Figure 8

- Nut
- The cables are not loose.
- Slots in pulley

- Slide the ends of the cables into the slots in the pulley (Figure 8).
- Adjust the nuts on the cables so that the cables are not loose between the bracket and pulley (Figure 8).
- Ensure that the chute door is parallel to the deck and that the mower blade does not contact it when you move the chute-control handle to the Closed position; adjust the cables as necessary.
- Use the cable ties to secure the cables to the fan guard and away from moving parts (Figure 9).

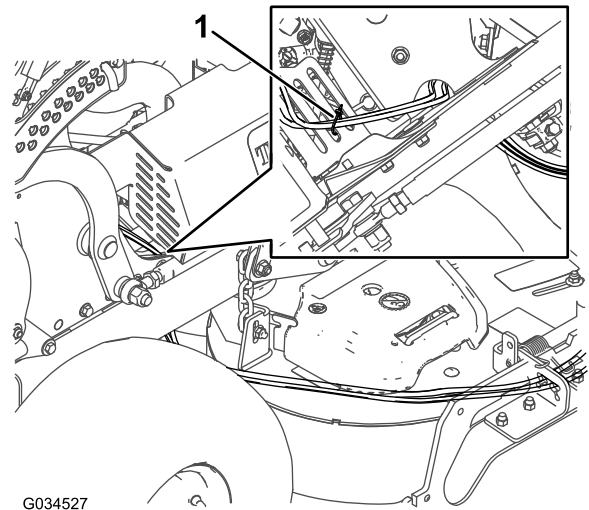


Figure 9

Engine not shown in callout bubble

- Cable tie

5

Installing the Trash Bag

Parts needed for this procedure:

1	Trash bag
---	-----------

Procedure

Install the trash bag into the slots in the handle assembly (Figure 10).

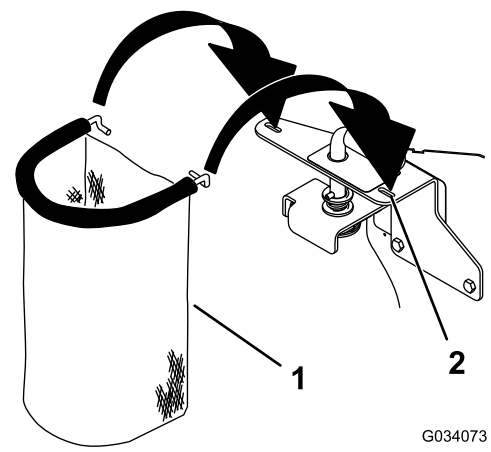


Figure 10

- Trash bag
- Slots in handle assembly

Operation

Using the Chute Gate

⚠ CAUTION

The chute gate does not seal the discharge opening. Grass and objects may be thrown toward bystanders, resulting in serious injury.

- Be aware of the mower discharge direction and do not point it at anyone.
- Remove obstacles such as rocks, tree limbs, etc. from the mowing area.
- Never put your hands or feet under the mower or discharge area.
- Never try to clear the discharge area or mower blades unless the engine is off and you remove the key.

Use the chute gate to temporarily stop or deflect grass clippings away from sidewalks, parking lots, patios, or anywhere you do not want grass clippings to land. The chute gate has 3 positions: open, 45 degree angle, and closed.

- Rotate the chute gate handle to the open position to allow grass clippings to discharge (Figure 11).
- Rotate the chute gate handle to the 45 degree angle to deflect the grass clippings (Figure 11).
- Rotate the chute gate handle to the closed position to stop the grass clippings (Figure 11).

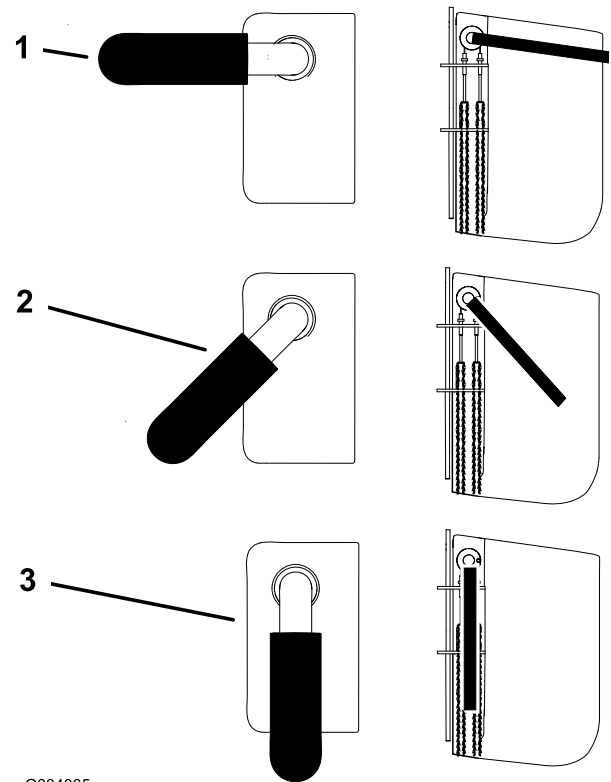


Figure 11

1. Chute gate open
2. Chute gate at 45 degree angle
3. Chute gate closed

Notes:



Count on it.