



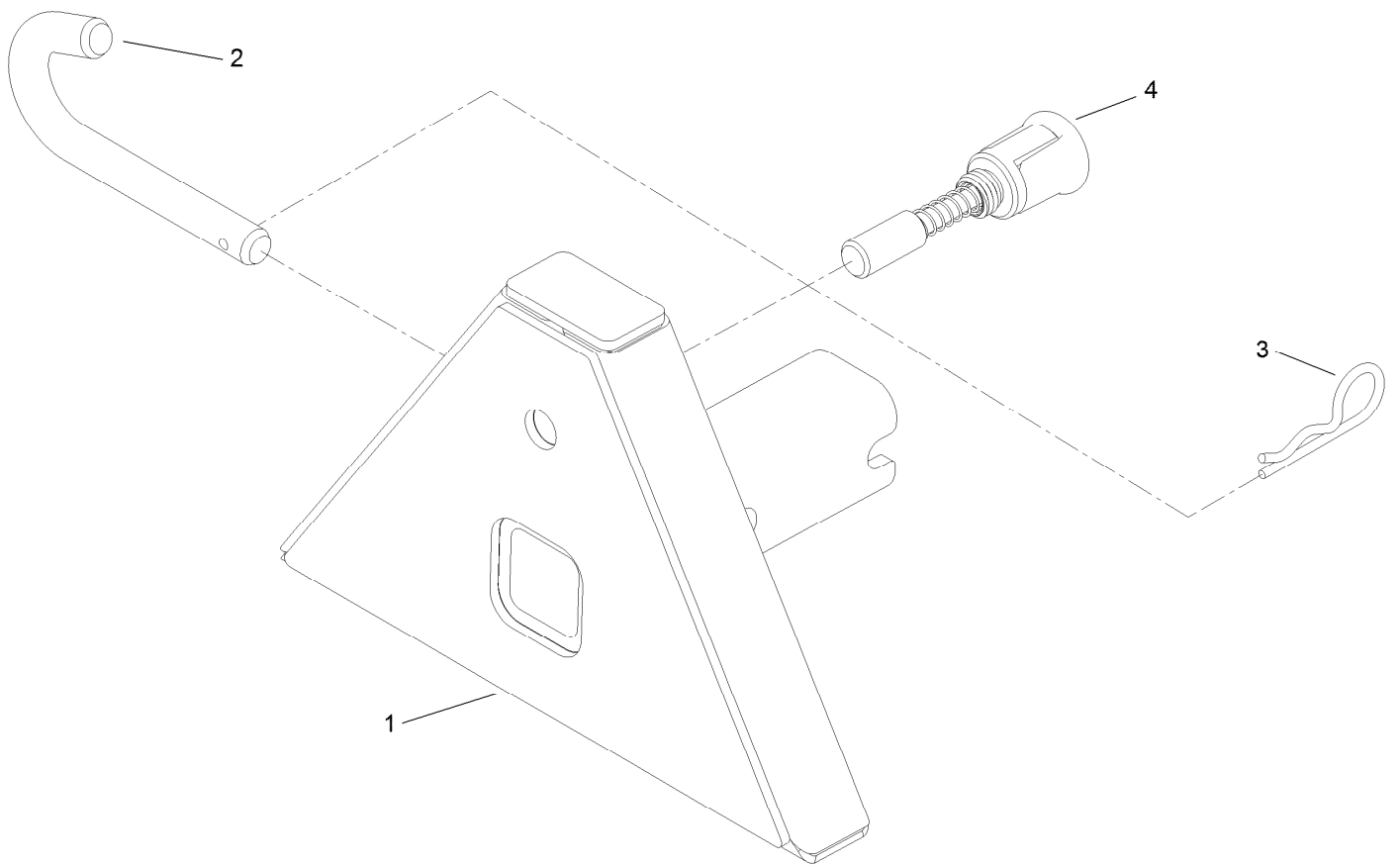
**Count on it.**

**Parts Catalog**

**Quick Attach Kit  
GrandStand® Multi Force Mower**

Model No. 136-0513





## Quick Attach Assembly No.136-0513

<i>Ref.</i>	<i>Part Number</i>	<i>Qty.</i>	<i>Description</i>
1	133-8738	1	Triangle
2	133-2085	1	Pin-Attach
3	3290-343	1	Pin-Hair
4	116-0104	1	Pin-Spring