



MODEL NO. 30741 – 80001 & UP

MODEL NO. 30795 – 80001 & UP

**OPERATOR'S
MANUAL**
GROUNDMASTER® 325 D
 4 WHEEL DRIVE TRACTION UNIT

To understand this product, and for safety and optimum performance, read this manual before starting the engine. Pay special attention to SAFETY INSTRUCTIONS highlighted by this symbol.



It means CAUTION, WARNING or DANGER – personal safety instruction. Failure to comply with the instruction may result in personal injury.



The GROUNDMASTER® 325-D 4 WHEEL DRIVE conforms to the American National Standards Institute's safety standards for riding mowers: thus, TORO proudly displays the ANSI safety seal.



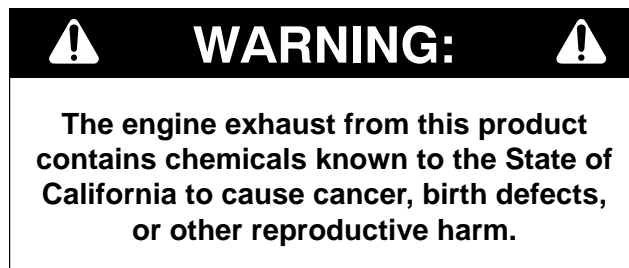
FOREWORD

The GROUNDMASTER® 325-D 4 WHEEL DRIVE was developed to satisfy the demand for a maneuverable, intermediate size, turf maintenance rotary mower. The machine has advanced concepts in engineering and design, and if maintained properly, it will give excellent service.

Since the GROUNDMASTER® 325-D 4 WHEEL DRIVE is a high-quality product, Toro is concerned about the future use of the machine and safety of the user. Therefore, read this manual to familiarize yourself with proper set-up operation and maintenance instructions. The major sections of the manual are:

1. Safety Instructions
2. Set-Up Instructions
3. Before Operating
4. Operating Instructions
5. Maintenance

Certain information in this manual is emphasized. DANGER, WARNING, and CAUTION identify personal safety-related information. IMPORTANT identifies mechanical information demanding special attention. Be sure to read the directive because it deals with the possibility of damaging a part or parts of the machine. NOTE identifies general information worthy of special attention.



SPARK ARRESTOR

Because in some areas there are local, state, or federal regulations requiring that a spark arrestor be used on the engine of this mower, a spark arrestor is incorporated with the muffler assembly.

These parts are approved by the United States Department of Agriculture Forestry Service.

When the mower is used or operated on any California forest, brush or grass covered land, a properly operating spark arrestor must be attached to the muffler. The operator is violating state law, Section 442 Public Resources Code if a spark arrestor is not used.

If help concerning set-up, operation, maintenance, or safety is ever needed, contact the local Authorized TORO Distributor. In addition to genuine TORO replacement parts, the distributor also has optional equipment for the complete line of TORO turf care equipment. Keep your Toro all TORO. Buy genuine TORO replacement parts and accessories.

A service and overhaul manual, form no. 83-400-ST is available from your Authorized TORO Distributor.

TABLE OF CONTENTS

SAFETY INSTRUCTIONS	4-6	Cleaning Radiator and Screen	29
SAFETY AND INSTRUCTION DECALS	6-7	Changing Crankcase Oil and Filter	30
SPECIFICATIONS	8-9	Servicing Fuel System	30
LOOSE PARTS	10	Bleeding Air From Injectors	31
SET-UP INSTRUCTIONS	11-16	Servicing Engine Belts	31-32
BEFORE OPERATING	16-19	Changing Coolant in Cooling System	32
Check Crankcase Oil	16	Servicing Spark Arrestor Muffler	32
Fill Fuel Tank with Diesel Fuel	17	Adjusting Traction Control Rod	32
Check Cooling System	18	Adjusting Traction Pedal Friction Wheel	33
Check Hydraulic System Oil	18	Adjusting Traction Drive for Neutral	33
Check Rear Axle	18	Adjusting Traction Interlock Switch	34
Check Bidirectional Clutch	19	Correcting PTO Drive Belt Slippage	34
CONTROLS	19-22	Adjusting Tilt Steering Control	34
OPERATING INSTRUCTIONS	22-25	Adjusting Rear Wheel Toe-In	34
Starting/Stopping Engine	22-23	Adjusting Steering Stops	35
Bleeding Fuel System	23	Adjusting Brakes	35
Checking Interlock Switches	23-24	Adjusting Lift Lever Latch	36
Pushing or Towing Traction Unit	24	Replacing Hydraulic Oil Filter	36
Operating Characteristics	24	Changing Hydraulic System Oil	37
DAILY MAINTENANCE CHECKLIST	25	Changing Rear Axle Lubricant	38
LUBRICATION	26-27	Changing Bidirectional Clutch Lubricant	38
MAINTENANCE	27-41	ELECTRICAL SCHEMATIC	39
Replacing Seat Switch	27	HYDRAULIC SCHEMATIC	40
Replacing PTO Switch	27	MAINTENANCE SCHEDULE	41
Servicing Battery	28	IDENTIFICATION AND ORDERING	42
General Maintenance Practices	28	PREPARATION FOR SEASONAL STORAGE ...	42
Servicing Dust Cup and Baffle	28	NOTES	43-45
Servicing Air Cleaner Filter	29	THE TORO PROMISE	BACK COVER
Inspecting Filter Element	29		



SAFETY INSTRUCTIONS

The **GROUNDMASTER® 325-D 4 WHEEL DRIVE** was tested and certified by **TORO** for compliance with the **B71.4—1990** specifications of the **American National Standards Institute**. Although hazard control and accident prevention partially are dependent upon the design and configuration of the machine, these factors are also dependent upon the awareness, concern, and proper training of the personnel involved in the operation, transport, maintenance, and storage of the machine. Improper use or maintenance of the machine can result in injury or death. To reduce the potential for injury or death, comply with the following safety instructions.

BEFORE OPERATING

1. Read and understand the contents of this manual and review safety video before starting and operating the machine. Become familiar with all controls and know how to stop quickly. A free replacement manual is available by sending complete Model and Serial Numbers to:

The Toro Company
8111 Lyndale Avenue South
Minneapolis, Minnesota 55420

2. Never allow children to operate the machine. Do not allow adults to operate the machine without proper instruction. Only trained operators, skilled in slope operation and who have read this manual should operate this machine.

3. Never operate machine when under the influence of drugs or alcohol.

4. Remove all debris or other objects that might be picked up and thrown by cutter blades or fast moving components from other attached implements. Keep all bystanders away from the operating area.

5. Keep all shields and safety devices in place. If a shield, safety device, or decal is damaged, repair or replace it before operation is commenced. Also, tighten any loose nuts, bolts, and screws to insure machine is in safe operating condition.

6. Do not wear loose-fitting clothing because it could get caught in moving parts. Always wear long pants and substantial shoes. Wearing safety glasses, safety shoes, and a helmet is advisable and required by some local ordinances and insurance regulations.

7. Check interlock switches daily for proper operation (Refer To Checking Interlock Switches, Page 23). Do not rely entirely on safety switches -shut off engine before getting off seat. If a switch fails, replace it before operating the machine. The interlock system is for your protection, so do not bypass it. Replace all interlock switches every two years. Interlock switches should be adjusted so:

A. Engine cannot be started unless traction pedal is released (neutral position)—and PTO lever is **DISENGAGED** (off position).

B. Engine stops if operator gets off seat when traction pedal is depressed.

C. Engine stops if operator gets off seat when PTO lever is **ENGAGED** (on position).

8. Grass deflectors must be installed in lowest position on side discharge units and properly attached to Triflex cutting unit wings.

9. Fill fuel tank with diesel fuel before starting the engine. Avoid spilling any fuel. Since diesel fuel is flammable, handle it carefully.

A. Use an approved fuel container.

B. Do not fill fuel tank when engine is hot or running.

C. Do not smoke while handling fuel.

D. Fill fuel tank outdoors and up to about one inch (25 mm) from the top of the tank, not the filler neck.

E. Wipe up any spilled fuel.

10. Sit on the seat when starting the engine and operating the machine.

11. When operating a 4 wheel drive machine or any machine on slopes, by banks or drop offs, always have ROPS (roll over protection system) installed.

12. Before starting the engine:

A. Engage parking brake.

B. Make sure traction pedal is in neutral and PTO is in **OFF** (disengage) position.

C. After engine is started, release parking brake and keep foot off traction pedal. Machine must not move. If movement is evident, the neutral return mechanism is adjusted incorrectly. Shut engine off and adjust until machine does not move when traction pedal is released.

13. Do not run the engine in a confined area without adequate ventilation. Exhaust fumes are hazardous and could possibly be deadly.

14. Maximum seating capacity is one person. Therefore, never carry passengers.

15. Check carefully for overhead clearances such as branches, doorways, electrical wires, before driving under any objects and do not contact them.



SAFETY INSTRUCTIONS

WHILE OPERATING

16. Using the machine demands the operator's complete attention. To prevent loss of control:

- A. Operate only in daylight or when there is good artificial light.
- B. Drive slowly.
- C. Avoid sudden stops and starts.
- D. Look behind machine before backing up.
- E. Watch for holes or other hidden hazards.
- F. Do not drive close to a sand trap, ditch, creek, or hazard.
- G. Reduce speed when making sharp turns and when turning on a hillside.
- H. The cutting deck must be lowered when going down slopes for steering control.

17. To maintain machine control, 35 lb. of weight must be mounted on rear of traction unit before using the TRIFLEX 88" cutting unit. More weight may be required in some steeper slope conditions.

18. Operator must be skilled and trained in how to drive on hillsides. Failure to use caution on slopes or hills may cause loss of control and vehicle to tip or roll possibly resulting in personal injury or death.

19. Traverse slopes carefully. Do not start or stop suddenly when traversing slopes or when traveling uphill or downhill.

20. When operating a machine with ROPS (roll over protection system) always use seat belt and make sure seat pivot retaining pin is installed.

21. Make sure seat belt can be removed quickly if machine is driven or rolls into a pond or lake.

22. If engine stalls or machine loses headway and cannot make it to the top of a slope, do not turn machine around. Always back slowly straight down the slope.

23. The grass deflector(s) must always be installed and in lowest position on the cutting unit. This product is designed to drive objects into the ground where they lose energy quickly in grassy areas. However, don't take an injury risk!! When a person or pet appears unexpectedly in or near the mowing area, STOP MOWING. Careless operation, combined with terrain angles, ricochets, or improperly positioned guards, can lead to thrown object injuries. Do not resume mowing until area is cleared.

24. Never raise the cutting unit or other attached implement while the blades or other parts are rotating.

25. If cutting blades or other implement components strike a solid object or the machine vibrates abnormally, disengage PTO, move throttle to SLOW, set parking brake, and shut engine off. Remove key from switch to prevent possibility of accidental starting. Check cutting unit or other implement and traction unit for damage and defective parts. Repair any damage before restarting the engine and operating the implement or cutting unit. Assure cutting unit blades are in good condition and blade bolts are torqued to proper specifications (See Cutting Deck Operator's Manual).

26. To stop machine, remove foot from traction pedal and use brakes. Gradually reversing the traction pedal can provide additional braking.

27. Do not touch engine, muffler, or radiator while engine is running or soon after it has stopped. These areas could be hot enough to cause a burn.

28. Lower the cutting unit or other attached implement to the ground and remove key from switch whenever machine is left unattended.

29. Before getting off the seat:

- A. Move traction pedal to neutral position and remove foot from pedal.
- B. Set the parking brake and disengage the PTO.
- C. Shut the engine off and remove key from ignition switch. Wait for all movement to stop before getting off the seat.

MAINTENANCE

30. Remove key from ignition switch to prevent accidental starting of the engine when servicing, adjusting, or storing the machine.

31. If major repairs are ever needed or assistance is desired, contact an Authorized TORO Distributor.

32. To reduce potential fire hazard, keep the engine free of excessive grease, grass, leaves, and accumulations of dirt.

33. If the cutting unit discharge area ever plugs, disengage PTO and shut engine off before removing the obstruction.

34. Make sure machine is in safe operating condition by keeping nuts, bolts, and screws tight. Check all cutting unit blade mounting bolts frequently to assure they are torqued to proper specifications (See Cutting Deck Operator's Manual).

35. Periodically inspect the roll bar and roll bar mounting. Replace, if necessary. Do not modify roll over protection frames or structures because they are specifically designed, sized, located, and tested for injury reduction. If a rollover occurs, a modified ROPS will not provide adequate protection.



SAFETY INSTRUCTIONS

- 36. Make sure all hydraulic line connectors are tight, and all hydraulic hoses and lines are in good condition before applying pressure to the system.
- 37. Keep body and hands away from pin hole leaks or nozzles that eject hydraulic fluid under high pressure. Use paper or cardboard, not hands, to search for leaks. Hydraulic fluid escaping under pressure can have sufficient force to penetrate skin and do serious damage. If fluid is ejected into the skin, it must be surgically removed within a few hours by a doctor familiar with this form of injury or gangrene may result.
- 38. Before disconnecting or performing any work on the hydraulic system, all pressure in system must be relieved by stopping engine and lowering implement to the ground.
- 39. If the engine must be running to perform maintenance or an adjustment, keep clear of PTO shaft, cutting unit blades, and other moving parts.

- 40. Do not overspeed the engine by changing the governor settings. Maximum engine speed with no load is 3200 ± 50 rpm. To ensure safety and accuracy, have an Authorized TORO Distributor check maximum engine speed with a tachometer.
- 41. Engine must be shut off before checking oil or adding oil to the crankcase.
- 42. At the time of manufacture, the machine conformed to safety standards in effect for riding mowers. To ensure optimum performance and continued safety certification of the machine, use genuine TORO replacement parts and accessories. Replacement parts and accessories made by other manufacturers may result in non-conformance with the safety standards, and the warranty may be voided.

SAFETY AND INSTRUCTION DECALS

The following safety and instruction decals are mounted on the traction unit. If any decal becomes damaged or illegible, install a new decal. Part numbers are listed below or in your parts catalog.

<p>STARTING INSTRUCTIONS (SEE OPERATOR'S MANUAL)</p> <ol style="list-style-type: none"> 1. DISENGAGE POWER TAKE-OFF (PTO) 2. PLACE TRACTION DRIVE PEDAL IN NEUTRAL POSITION. 3. DEPRESS BRAKE PEDAL. 4. FOR DIESEL ENGINE UNITS: <ol style="list-style-type: none"> A. SET THROTTLE CONTROL - FULL OPEN. B. PUSH GLOW PLUG SWITCH TO ON POSITION AND PREHEAT UNTIL THE GLOW PLUG INDICATOR TURNS RED HOT AND HOLD WHILE STARTING. 4. FOR GAS ENGINE UNITS: <ol style="list-style-type: none"> A. SET CHOKE AND THROTTLE CONTROLS AS REQUIRED. 5. TURN KEY TO START POSITION. RELEASE TO RUN POSITION AFTER STARTING. TO STOP, TURN KEY TO OFF POSITION AND REMOVE KEY. 	<p>IMPORTANT: ENGINE WILL SHUT OFF AUTOMATICALLY DUE TO HIGH ENGINE TEMPERATURE. WHEN THIS HAPPENS:</p> <ol style="list-style-type: none"> 1. ALLOW ENGINE TO COOL. 2. CLEAN DEBRIS FROM FRONT OF RADIATOR. 3. CHECK COOLANT LEVEL.
<p>CAUTION</p> <p>COOLANT UNDER PRESSURE. USE CAUTION WHEN REMOVING RADIATOR CAP TO PREVENT BURNS.</p>	
<p>4. DEPRESS HIGH TEMPERATURE RESET ON DASH. 5. RESTART ACCORDING TO STARTING INSTRUCTIONS.</p>	
<p> READ AND UNDERSTAND OPERATOR'S MANUAL BEFORE OPERATING THIS MACHINE. REPLACEMENT MANUAL AVAILABLE BY SENDING COMPLETE MODEL NUMBER TO: THE TORO CO., 8111 LYNDAL AVE. S., BLOOMINGTON, MN 55420-1196.</p> <p style="text-align: right;"><small>92-7802</small></p>	

ON BATTERY COVER
(Part No. 92-7802)

CAUTION

CHECK PERFORMANCE OF ALL INTERLOCK SWITCHES DAILY
SEE OPERATOR'S MANUAL FOR INSTRUCTION DO NOT
DEFEAT INTERLOCK SYSTEM IT IS FOR YOUR PROTECTION

NEAR TOOL BOX COVER
(Part No. 67-1710)

CAUTION

MAINTAIN WHEEL FASTENER TORQUE AT 45-55 ft.-lb.
SEE OPERATOR'S MANUAL FOR INSTRUCTIONS.

ON FRAME NEAR FRONT WHEELS
(Part No. 67-1720)

TRACTION PEDAL

FORWARD OF TRACTION PEDAL
(Part No. 27-7320)

WARNING

SPRING LOADED MECHANISM
SEE OPERATOR'S MANUAL
FOR DISASSEMBLY PROCEDURE. 55-4300

ON LIFT ARM AND PUSH ARMS
(Part No. 55-4300)

WARNING

ON RADIATOR FAN SHROUD
(Part No. 77-3100)

82-8940

ON STEERING COLUMN SUPPORT
(Part No. 82-8940)

(P)
PARKING
BRAKE

82-8930

ON STEERING COLUMN SUPPORT
(Part No. 82-8930)

SAFETY AND INSTRUCTION DECALS

TRACTION PEDAL INSTRUCTIONS

FORWARD REVERSE

VEHICLE SPEED INCREASES WITH MORE PEDAL PRESSURE.

IMPORTANT
USE FLOAT POSITION WHEN TRAILERING THIS UNIT

CAUTION
TURN OFF PTO BEFORE RAISING IMPLEMENT TO TRANSPORT POSITION.
DO NOT OPERATE IMPLEMENT IN TRANSPORT POSITION.

FLOAT LIFT CONTROL

LOWER

RAISE

66-6390

NEAR LIFT LEVER
(Part No. 66-6390)

GEAR LUBE
SAE 80W-90
50/500 **API GL-5** 70-2560

ON REAR AXLE
(Part No. 70-2560)

DANGER
USE EXTREME CAUTION ON HILLS AND SLOPES

TO MINIMIZE THE RISK OF INJURY OR DEATH

- ALWAYS USE SEAT BELT AND POPS TOGETHER AND HAVE SEAT PIVOT RETAINING PIN INSTALLED.
- GO SLOW AND AVOID SHARP TURNS ON SLOPES TO AVOID ROLL OVER.
- DECK MUST BE LOWERED WHEN GOING DOWN SLOPES FOR STEERING CONTROL.
- OPERATOR MUST BE SKILLED AND TRAINED IN SLOPE OPERATION. READ OPERATORS MANUAL.
- LOS OPERADORES DEBEN ESTAR MUY BIEN CAPACITADOS EN UNA OPERACION SEGURA.

ON TOOL BOX COVER
(Part No. 72-3700)

CAUTION
DO NOT USE STARTING FLUID
83-9150

ON AIR CLEANER TUBE
(Part No. 83-9150)

DIESEL ONLY

ALONGSIDE FUEL CAP
(Part No. 52-1321)

OIL PRESSURE
OFF RUN
FAST THROTTLE SLOW
START
ON
PUSH TO RESET
GLOW PLUG INDICATOR
GLOW PLUG SWITCH
TEMP SHUT OFF

ON CONTROL PANEL
(Part No. 43-3980)

1 INCH (25mm)

ON RADIATOR SUPPORT
(Model 30741)
UNDER HOOD ABOVE RADIATOR CAP
(Model 30795)
(Part No. 82-8970)

1 INCH (25 MM)

CAUTION
FILL FUEL TANK TO 1 INCH BELOW FILLER NECK.
DO NOT OVERFILL

NEAR FUEL TANK CAP
(Part No. 27-7310)

ON POWER TAKE-OFF OFF

CAUTION

- KEEP ALL SHIELDS IN PLACE.
- BEFORE LEAVING OPERATORS POSITION:
 - MOVE TRANSMISSION TO NEUTRAL.
 - DISENGAGE POWER TAKE OFF.
 - SET PARKING BRAKE.
 - SHUT OFF ENGINE.
 - REMOVE IGNITION KEY.
- WAIT FOR ALL MOVEMENT TO STOP BEFORE SERVICING MACHINE.
- STOP ENGINE BEFORE ADDING FUEL OR LIFTING HOOD.
- KEEP PEOPLE AND PETS A SAFE DISTANCE AWAY FROM MACHINE.

27-7290

NEAR PTO LEVER
(Part No. 27-7290)

SPECIFICATIONS

Engine: The 4-cycle, 3 cylinder, overhead valve Mitsubishi diesel engine, Model K3D, is water cooled and delivers 24.99 HP (18.6 kw) @ 3600 rpm. Cylinder bore is 2-7/8 in. (73 mm), stroke is 3-1/16 in. (78 mm) and displacement is 59.7 cu. in. (979 cc). Compression ratio is 23:1. Crankcase oil capacity w/filter is 3.7 qt. (3.5 L). Filter is full flow, replaceable, screw-on type. Mechanical centrifugal type governor limits maximum no-load engine speed to 3200 ± 50 rpm. Idle speed is 1500 ± 50 rpm. Glow plug is installed in each cylinder for starting assist.

Air Cleaner: Heavy duty, remote mounted.

Muffler: Volume equal to approximately six times engine displacement for excellent silencing. Spark arrestor incorporated with muffler.

Cooling System: Radiator has tube and fin construction with hydraulic oil cooler in lower tank. Capacity of cooling system is approximately 6 quarts (5.7 L) of a 50% mixture of permanent, ethylene glycol anti-freeze and water. Radiator is equipped with a 15 psi (103 kPa) pressure cap and engine has a 170° F (76.5° C) thermostat.

Fuel System: Fuel tank holds approximately 6-1/2 gal. (25 L) of No. 1 or 2 automotive type diesel fuel oil, per SAE J313c spec. 12 volt, electric (transistor type), fuel pump w/replaceable filter mounted on frame. Fuel filter/water separator with replaceable cartridge is mounted on frame.

Front Axle: The heavy Duty Dana GT 20 axle has reduction of 20.9:1. Axle has automotive type differential, bevel gear pinion and ring gear with spur gear reduction from transmission. All axle components are mounted in tapered roller bearings.

Rear Axle: The rear axle is mechanically driven from the front axle by a universal shaft. Axle has a overrunning clutch in rear driveshaft. When lubricating rear axle, use SAE 80W-90 gear lube, API GL-5. Lubricant capacity is approximately 1.9 qt. (1.8 L).

Transmission: Sundstrand in-line hydrostatic transmission is mounted directly to the front axle and driven by flexible drive couplings. Operating pressure is 500 to 5200 psi (3400 to 36,000 kPa) and normal charge pressure is 70 to 150 psi (450 to 1000 kPa). Implement relief valve setting is 700 to 900 psi (4800 to 6200 kPa.). Relief valve in traction loop set at 5200 psi (36,000 kPa) (forward only). Displacement is 0.913 cubic inch (15 cm³) per revolution, and transmission is controlled by foot-actuated pedal. Front axle is the hydraulic fluid reservoir, and its capacity is 5 quarts (4.7 L) of engine oil (see viscosity chart on page 18). The 25 micron hydraulic oil filter is a screw on replaceable type. For replacement filters, order Toro part number 23-9740.

Ground Clearance: Clearance at rear axle is 4-1/2" (11 cm).

Ground Speed: Speed is infinitely variable from 0 to 9.5 mph (0 to 15 km/hr) forward or reverse. No 4 wheel drive in reverse with standard driveshaft.

Tires: Two rear tires are 18 x 6.50-8 extra traction tread, 4-ply rating rib, on demountable, drop center wheels. The two front tires are 23 x 8.50-12, extra traction tread, 4-ply rating, on demountable, drop center wheels. Recommended air pressure for both the front and rear tires is 21 psi (145 kPa).

Brakes: Brakes controlled by 3 pedals. Two are for steering assist. Are individually controlled by left foot. Third pedal operates both brakes; is controlled by either foot. Parking brake latch provided for third pedal. Pedals are connected to brakes by multi-stranded cable and conduit.

Steering: The 15 inch (38 cm) steering wheel is mounted on steering valve consisting of a control valve and metering section which regulates pressure and meters flow to the steering cylinder. Steering wheel adjustable fore and aft for operator comfort.

Main Frame: Frame is welded, formed (11 ga.) steel, reinforced with square and rectangular tubing.

Interlock Switches: PTO Switch—Shuts engine off when PTO is engaged with no operator in seat. Traction Switch—Shuts engine off when traction pedal is engaged with no operator in seat. Seat Switch—Shuts engine off if operator leaves seat without disengaging PTO and/or traction pedal. Engine will not start if PTO or traction pedal is engaged.

Electrical: 12 volt battery has 630 amp, cold cranking performance at 0° F (-18° C), 12 volt negative ground, 35 amp. alternator w/regulator for charging battery. Electric solenoid on injection pump operates shut-off device to stop fuel flow; thereby stopping engine. A 40 amp. manual reset circuit breaker protects electrical wiring.

Instrument Panel and Control: Ammeter, hour-meter, fuel gauge, ignition switch, coolant temperature switch gauge to prevent overheating, oil pressure warning light, glow plug switch and glow plug indicator and throttle control are on instrument panel. hand operated PTO lever is located to right of the seat. Foot pedal control for transmission operation at right of steering column.

ROPS (Roll Over Protection System): 2-Post ROPS is standard.

Steering Cylinder: 1.50" bore x 7.15" stroke high quality cylinder.

Tie Rods: The tie rods are 1.0" o.d. x .18" wall steel tubing with greasable ball joint on both ends.

SPECIFICATIONS

PTO Drive: Shaft is driven by a tight–slack double “A” section, torque team V–belt directly from output shaft of engine. Shaft is clutched by pivoting the shaft support with a spring loaded, over center, hand operated lever. PTO speed—1810 rpm @ 3200 rpm engine speed. Connection to implement is with high quality, needle bearing universal joint with slip joint.

Implement Lift: Cutting unit or implement is lifted by hydraulic cylinder that has 2-1/2 in. (64 mm) bore and 3-1/4 in. (82 mm) stroke.

Turning Radius: A minimum of 25” from center of turn to closest side of drive wheel for right turn; 35” for left turn. However, zero turning radius results when individual wheel brakes are used.

DIMENSIONS AND WEIGHTS (approx.)

Width	47” (119 cm)
	(measured from outside of front tires)
w/30722 SD Cutting Unit	85.5” (217 cm)
w/30710 RD Cutting Unit	76.5” (194 cm)
w/Guardian® 72” Recycler® Cutting Unit	75.5” (194 cm)
Length	94” (231 cm)
w/30722 SD Cutting Unit	115” (285 cm)
w/30710 RD Cutting Unit	118” (292 cm)
w/Guardian® 72” Recycler® Cutting Unit	117.5” (298 cm)
	(1 rear weights included)
Height	50” (127 cm)
w/ ROPS	78.5” (199 cm)
Dry Weight (w/ROPS)	1,665 lbs. (755 kg)
w/30722 SD Cutting Unit	2,065 lbs. (937 kg)
w/30710 RD Cutting Unit	2,080 lbs. (943 kg)
w/Guardian® 72” Recycler® Cutting Unit	2,165 lbs. (780 kg)
Wheel Base	51” (130 cm)

OPTIONAL EQUIPMENT:

Cutting Unit, Model No. 30722 (L.H. Side Discharge)
 Cutting Unit, Model No. 30710 (Rear Discharge)
 Cutting Unit, Model No. 30716 (Guardian 72” Recycler)
 2760 Flail Mower, Model No. 44590
 Cushion Seat, Model No. 30708
 Deluxe Suspension Seat Kit, Model No. 30772 (requires Model No. 30709)

Seat Adapter Kit, Model No. 30709

Seat Weight Kit, Part No. 92–1181

Armrest Kit, Model No. 30707 (For Model No. 30708 & 30772)

Leaf Mulcher Kit, Model No. 30732 (for Model 30721)

Leaf Mulcher Kit, Model No. 30733 (for Model 30722)

Rear Baffle Kit, Part No. 51–1460 (for Model 30721 only)

Pneumatic Wheel & Tire Assembly, Part No. 12–1509 (2 required per cutting unit)

10” Segmented Tire Assembly, Part No. 76–1880 (2 required per cutting unit)

High Lift Blade, Part No. 23-2410 (for Model 30722 only)

Speed Control Kit, Model No. 30677

Tire Chains (Front), Part No. 11-0390 (set of 2)

Wheel Weight Kit, Part No. 11-0440 (set of 2)

Rear Weight Kit, Part No. 24-5780 (set of 2)

Rear Weight Kit, Part No. 24-5790 (Qty. 1)

4–Ply Wide Tire w/ Rim, 23 x 10.5 x 12 , Part No. 62-7020 (2 required; will not fit Model No. 30710)

6–Ply Wide Tire w/ Rim, 23 x 10.5 x 12 , Part No. 68–9870 (2 required; will not fit Model No. 30710)

Jack Pad Kit, Part No. 76–0900

4 Wheel Drive Shaft Kit, Part No. 72–3741 (For full time 4 wheel drive, for Model 30795 Only)

Tire Chains (Rear), Part No. 76–1840 (Model 30795 Only)

48 in. V–Plow, Model No. 30750 (requires Model No. 30757)

V–Plow Mounting Kit, Model No. 30757 (w/o tire chains)

Debris Blower 2670, Model No. 44524 (w/o kit)

Debris Blower 2670 Kit, Model No. 44535

Aeroseeder 82, Model No. 44815

Aerator 75, Model No. 44890

Plug Pulverizer 2560, Model No. 44892

Snow Blower 150, Model No. 44910

Auxiliary Valve Kit, Part No. 93–3169

LOOSE PARTS

Note: Use this chart as a checklist to ensure all parts necessary for assembly have been shipped. If any of these parts are missing, total set-up cannot be completed.

DESCRIPTION	QTY.	USE
Wheel Bolt Wheel – Rear	10 2	Mount Rear Steering Wheels
Wheel Nut Wheel – Front	10 2	Mount Front Wheels
Steering Wheel Foam Seal Nut Screw Cap	1 1 1 1 1	Install Steering Wheel
Manual Tube (Shipped in toolbox) R – Clamp	1 2	Install on right underside of seat
Seat Belt Bolt 7/16 x 1" lg. Lockwasher 7/16"	1 2 2	Install Seat Belts to Seat.
Roll Bar (ROPS) Bolt 3/4 x 3-1/2" lg. Lockwasher 3/4" Nut 3/4"	1 4 4 4	Install Roll Bar
Ball Joint R.H. (Shipped in tool box)	1	Install Ball Joint (implement installation) and Connect Lift Cylinder.
Operator's Manual (Traction Unit) Parts Catalog (Shipped in toolbox)	2 1	
Registration Card	1	Affixed to machine.
Hydraulic Oil Filter (23-9740)	1	Change after 10 hours

Specifications and design subject to change without notice.

SET-UP INSTRUCTIONS

INSTALL FRONT & REAR WHEELS

1. Remove and discard fasteners securing wheels to packaging.
2. Remove wheel nuts from studs on front axle and bolts from rear axle.
3. Mount wheels and torque mounting nuts (front) or bolts (rear) to 45-55 ft-lbs (61-75 N·m).

INSTALL REAR TIE ROD

1. Remove cotter pins and nuts shipped on ball joints.
2. Position tires so ball joint ends align with holes in mounting brackets (Fig. 1). Secure ball joints to brackets with nuts and cotter pins. Torque nuts to 55-80 ft-lb (75-110 N·m).
3. Check toe-in and adjust as necessary; refer to Adjusting Rear Wheel Toe-In.

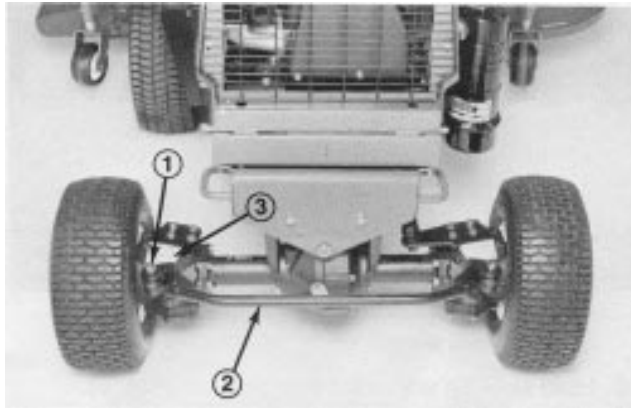


Figure 1

- | | |
|---------------------|---------------------|
| 1. Cotter Pin & Nut | 3. Mounting Bracket |
| 2. Tie Rod | |

INSTALLING STEERING WHEEL

1. Move rear wheels so they point straight ahead.
2. Remove jam nut from steering shaft. Slide foam seal and steering wheel onto steering shaft.

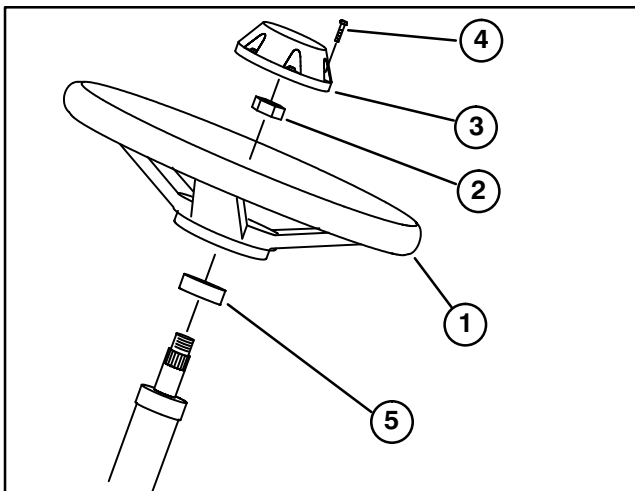


Figure 2

- | | |
|-------------------|--------------|
| 1. Steering Wheel | 4. Screw |
| 2. Jam Nut | 5. Foam Seal |
| 3. Cap | |

3. Secure steering wheel to shaft with jam nut and tighten it to 10–15 ft-lb.
4. Install cap to steering wheel with screw.

REMOVE BATTERY FROM CHASSIS

1. Release the two latches holding instrument cover in place. Carefully remove instrument cover to expose the battery.
2. Remove two wing nuts and hold down strap that secures battery (Fig.3). Lift battery out of chassis. Keep wing nuts and hold down strap in safe place for later use.

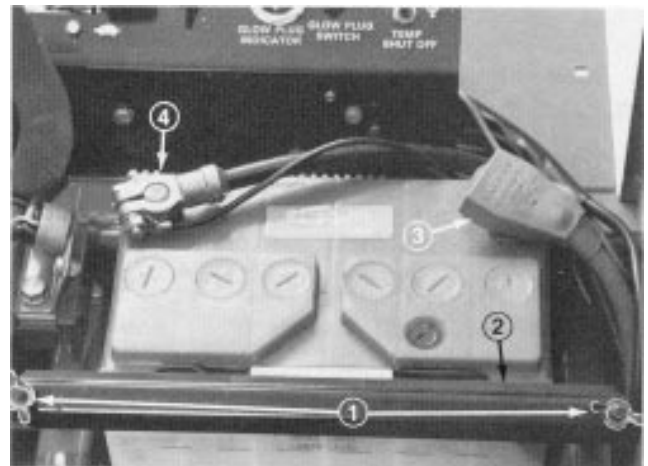


Figure 3

- | | |
|--------------------|----------------------|
| 1. Wing nuts | 3. Positive terminal |
| 2. Hold down strap | 4. Negative terminal |

INSTALLING SEAT

The Groundsmaster 325-D 4 wheel Drive is shipped without the seat assembly. Either optional Seat Kit, Model No. 30708 or 30772 must be installed.

Seat Kit, Model No. 30708, Standard Seat

CAUTION: Spring under tension. use caution installing spring and pin.

1. (Model 30741 only) Remove flange screw and locknut securing sealing plate, over fuel tank, to frame (Fig. 4). Remove sealing plate.
2. Insert pin part way into hole in top of seat support bracket on machine (Fig. 4).

SET-UP INSTRUCTIONS

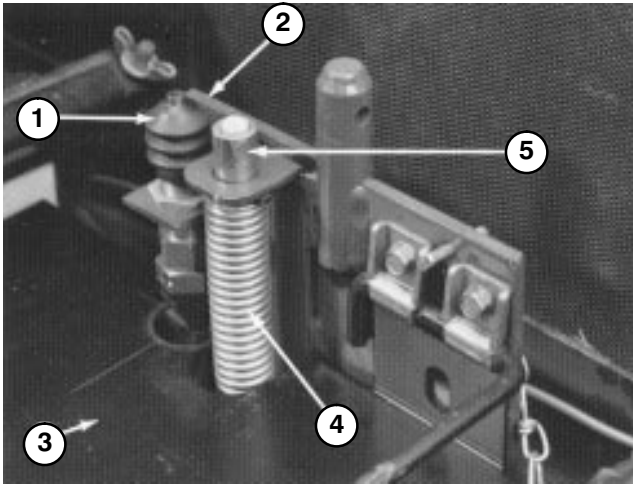


Figure 4

- | | |
|-------------------------|-----------|
| 1. Seat Switch | 4. Spring |
| 2. Seat Support Bracket | 5. Pin |
| 3. Sealing Plate | |

3. Slide spring up onto pin while pushing down on pin.

4. Pry top of spring down and insert roll pin through pin.

5. Check operation of pin.

6. (Model 30741) Reinstall sealing plate to frame, above fuel tank with flange screw and locknut previously removed.

7. Loosely secure (2) R-clamps to right side of seat bottom with (2) capscrews and flatwashers supplied in kit (Fig. 5). Install manual tube into R-clamps and tighten capscrews (Fig. 5).

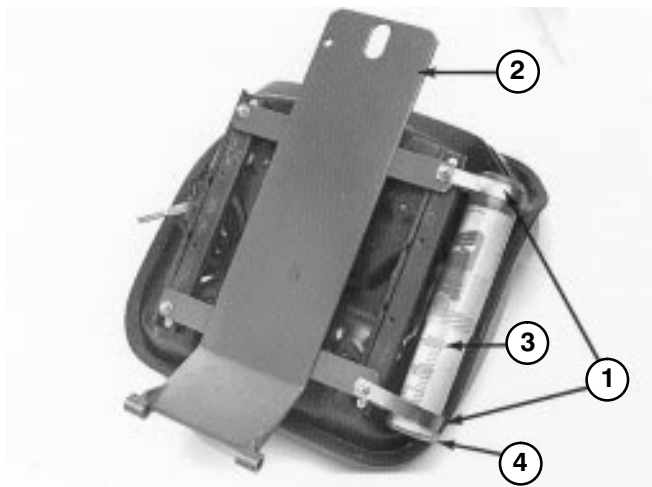


Figure 5

- | | |
|-----------------|----------------|
| 1. R-clamps | 3. Manual tube |
| 2. Seat support | 4. Cap |

8. Mount seat pivot bracket to frame with (2) flange screws supplied in kit (Fig. 6)

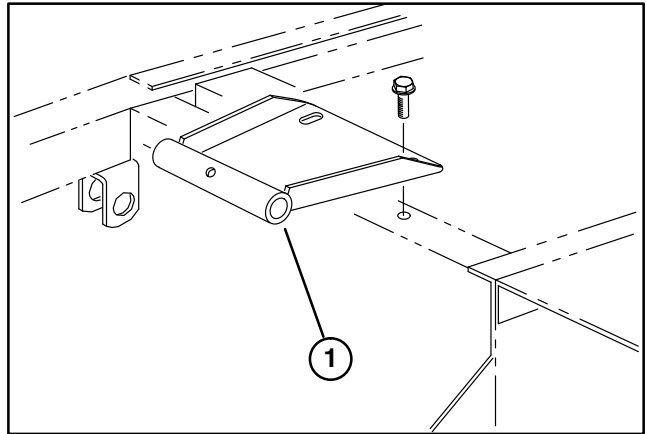


Figure 6

1. Seat Pivot Bracket

9. Mount seat and seat support to seat pivot bracket with pivot shaft and roll pin (Fig. 7).

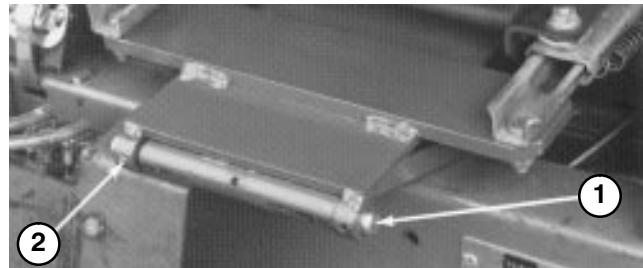


Figure 7

- | | |
|----------------|-------------|
| 1. Pivot shaft | 2. Roll pin |
|----------------|-------------|

10. Hold seat up with seat support rod (Fig. 8).

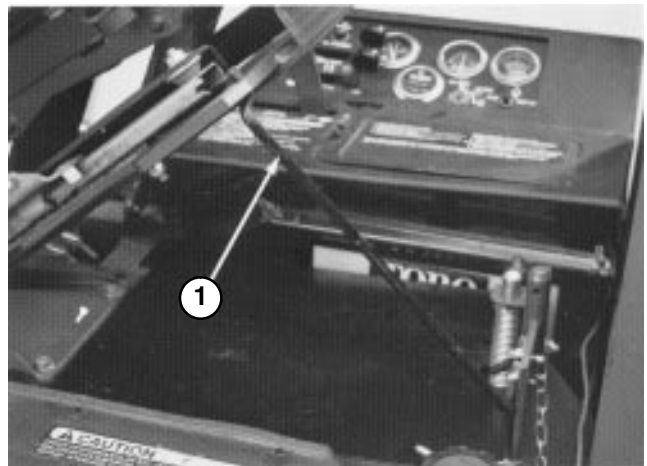


Figure 8

1. Seat Support Rod

Seat Kit, Model No. 30772, Deluxe Seat with Model 30709 Seat Adapter Kit:

CAUTION: Spring under tension. use caution installing spring and pin.

1. (Model 30741 only) Remove flange screw and locknut securing sealing plate, over fuel tank, to frame. Remove sealing plate.

2. Insert pin part way into hole in top of seat support bracket on machine (Fig. 7).

SET-UP INSTRUCTIONS

3. Slide spring up onto pin while pushing down on pin.
4. Pry top of spring down and insert roll pin through pin.
5. Check operation of pin.
6. (Model 30741) Reinstall sealing plate to frame, above fuel tank with flange screw and locknut previously removed.
7. Mount seat suspension assembly to (4) capscrews on seat bottom and secure with (4) lockwashers, flatwashers and nuts (Fig. 9).
8. Loosely secure (2) R-clamps to right side of seat bottom with (2) capscrews and flatwashers supplied in kit (Fig. 9). Install manual tube into R-clamps and tighten capscrews (Fig. 9).
9. Mount seat support over four threaded studs at the bottom of seat suspension assembly and secure in place with flangenuts (Fig. 9).

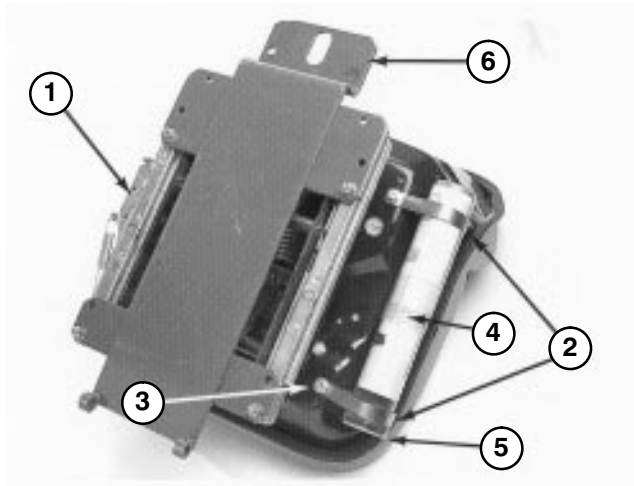


Figure 9

- | | |
|------------------------------------|-----------------|
| 1. Seat suspension assembly | 4. Manual tube |
| 2. R-clamps | 5. Cap |
| 3. Lockwasher, flatwasher, and nut | 6. Seat support |

10. Mount seat pivot bracket to frame with (2) flange screws supplied in kit (Fig. 6)
11. Mount seat and seat support to seat pivot bracket with pivot shaft and roll pin (Fig. 7).
12. Hold seat up with seat support rod (Fig. 8).

INSTALL OPTIONAL SEAT WEIGHT KIT Part No. 92-1181

The optional weight kit is beneficial when mower operator is light weight, less than 150 lbs. or short in stature, less than 5' 4" tall.

IMPORTANT: Weight kit to be used only with seat adapter kit, Model 30709. Use of weight kit with any other seats may affect interlock system function.

1. Mount weight assembly to rear holes in seat support with (2) 5/16-18 x 2-1/4" lg capscrews and locknuts (Fig. 10).

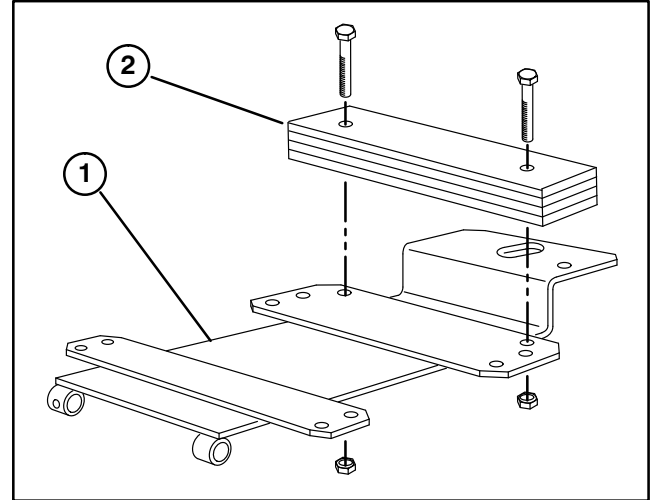


Figure 10

1. Seat support
2. Seat weight

IMPORTANT: Make sure seat suspension is mounted in front set of holes in seat support to insure the seat can be positioned forward enough to provide comfortable operation and control of the mower.

INSTALL SEAT BELTS

1. Install seat belt to holes in back of seat with (2) 7/16 x 1" lg. bolts and lockwashers (Fig.11). Tighten securely.



Figure 11

1. Seat Belt
2. Bolt & Lockwasher

INSTALL ROLL BAR

1. Lower roll bar onto frame, aligning mounting holes as shown in Fig. 12.
2. Secure roll bar to frame with (4) 3/4 x 3-1/2" lg. bolts, lockwashers, and nuts (Fig. 12). Tighten securely.

SET-UP INSTRUCTIONS



Figure 12
1. Roll Bar

PUSH TRACTION UNIT OFF PALLET

1. Reach in and rotate by-pass valve on transmission (Fig. 13) counterclockwise 1/2 to 1 turn. Opening the valve opens an internal passage in the pump, thereby bypassing transmission oil. Because fluid is by-passed, the machine can be pushed without damaging the transmission.

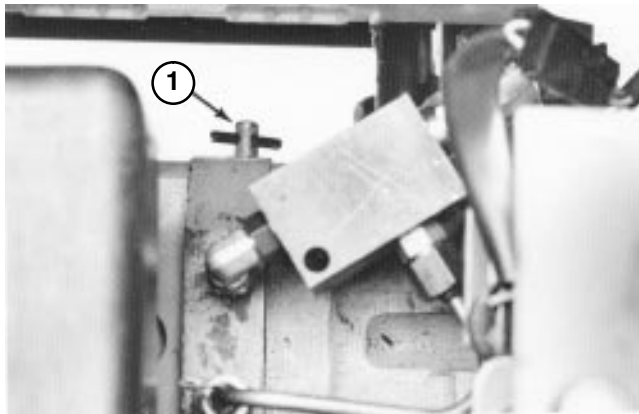


Figure 13
1. By-pass valve

2. Lift machine over shipping braces and push machine off pallet.
3. Close by-pass valve by rotating it clockwise until it is securely seated. Do not exceed 5 to 8 ft-lb (7 to 11 N-m). Do not start engine when valve is open.

ACTIVATE AND CHARGE BATTERY

1. Since battery is not filled with electrolyte or charged, bulk electrolyte with 1.280 specific gravity @

77° F (25° C) must be purchased from a local battery supply outlet.



CAUTION

Wear safety goggles and rubber gloves when working with electrolyte, and charge the battery in a well-ventilated place so gases produced while charging can dissipate. Since the gases are explosive, keep open flame and electrical sparks away from the battery. Do not smoke. Nausea may result if the gases are inhaled. Unplug charger from electrical outlet before connecting to or disconnecting charger leads from battery posts.

2. Remove filler caps from battery and slowly fill each cell until electrolyte is just above the plates. Install filler caps.
3. Connect a 3 to 4 amp battery charger to the battery posts. Charge the battery at a rate of 3 to 4 amperes for 4 to 8 hours.
4. When battery is fully charged, disconnect charger from electrical outlet and battery posts.
5. Remove filler caps and slowly add electrolyte to each cell until level is up to fill ring. Install fill caps.

INSTALL BATTERY IN CHASSIS

1. Install battery and secure with hold down strap and wing nuts (Fig. 3). Remove tape over ends of each cable.
2. Slide the red, positive battery cable (Fig. 3) onto positive battery post and tighten nut securely.
3. Slide the black, negative battery cable (Fig. 3) onto negative battery post and tighten nut securely.
4. Coat both battery connections with either Grafo 112X (skin-over) grease, Toro Part No. 505-47, petroleum jelly or light grease to prevent corrosion and slide rubber boot over positive terminal (Fig. 3).
5. Install the instrument cover and lock the two latches.
6. Disengage seat support rod and pivot downward. Pivot seat down and push lynch pin through seat latch stud. Flip wire end of pin over latch stud (Fig. 14).

SET-UP INSTRUCTIONS

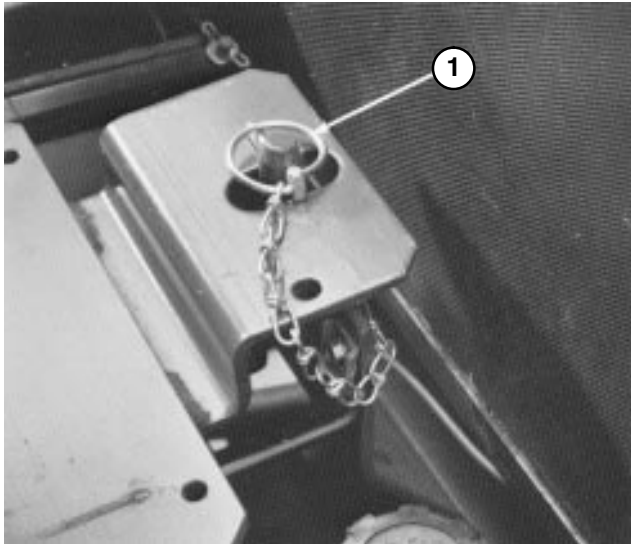


Figure 14
1. Lynch pin

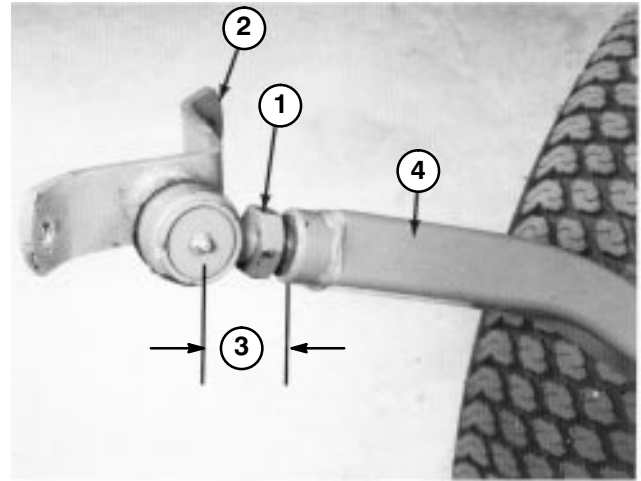


Figure 15

- | | |
|---------------------|------------------------|
| 1. Jam nut | 3. 2-3/8 in. (60 mm) |
| 2. Ball joint mount | 4. Right hand push arm |

INSTALL BALL JOINT AND CONNECT LIFT CYLINDER

Note: Ball joints are not required for all implements; refer to implement operator's manual for requirements.

1. Thread jam nut fully onto right hand ball joint.
2. Screw ball joint into right hand push arm until center of ball joint is 2-3/8 inches (60 mm) away from front of push arm (Fig.15). Do not tighten jam nut.

WARNING

Since push arms are spring-loaded, a helper is required to push the arms down during installation of the ball joints or other implements. Sudden release of the push arms could cause injury.

4. Have a helper push down on the left push arm. Then insert a 2 x 4 in. (51 x 102 mm) block of wood between the frame and top of the push arm (Fig. 16). Screw ball joint into left hand push arm until center of ball joint is 2-3/8 inches (60 mm) away from front of push arm (Fig.16). Do not tighten jam nut.
5. Carefully remove 2 x 4 in. (51 x 102 mm) block of wood from between frame and push arm.
6. Remove spring pin from cylinder pin and slide cylinder pin out of cylinder.

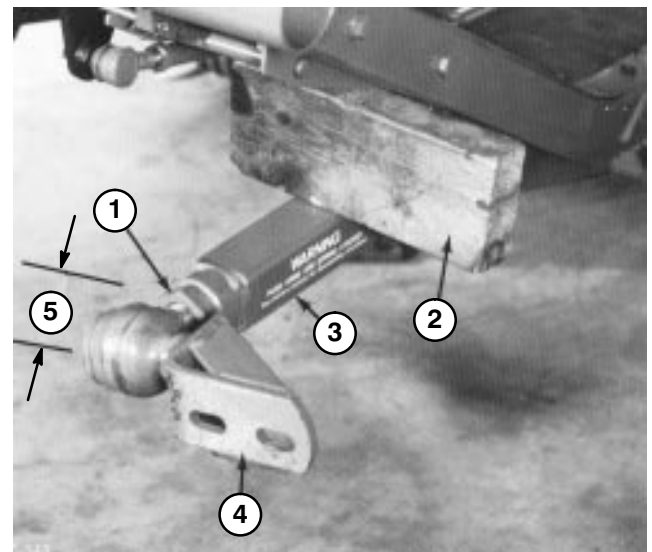


Figure 16

- | | |
|----------------------------------|----------------------|
| 1. Jam nut | 4. Ball joint mount |
| 2. 2 x 4 in. (51 x 102 mm) block | 5. 2-3/8 in. (60 mm) |
| 3. Left hand push arm | |

CHECK TIRE PRESSURE

The tires are over-inflated for shipping. Therefore, release some of the air to reduce the pressure. Correct air pressure in the front and rear tires is 21 psi (145 kPa) for 4-ply tires and 13 psi (90 kPa) for 6-ply ties.

SET-UP INSTRUCTIONS

CHECK TORQUE OF FRONT WHEEL NUTS



WARNING

Tighten front wheel nuts to 45-55 ft-lb (61-75 N·m) after 1-4 hours of operation and again after 10 hours of operation and every 250 hours thereafter. Failure to maintain proper torque could result in failure or loss of wheel and may result in personal injury.

GREASE TRACTION UNIT

Before the machine is operated, it must be greased to assure proper operating characteristics; refer to Lubrication Maintenance. Failure to grease the machine will result in premature failure of critical parts.

Note: After set-up has been completed, remove protective edging (used for shipping) from fenders.

NOTE: To comply with ANSI/OPEI B71.4-1990 Standard, no additional rear weight must be added to rear of Groundsmaster 325-D 4 Wheel Drive traction units.

BEFORE OPERATING

CHECK CRANKCASE OIL

The engine is shipped with 3.7 quarts (3.5 L) of oil in the crankcase. However, level of oil must be checked before and after the engine is first started.

1. Position the machine on a level surface.
2. Disengage hood latch and open the hood.
3. Slide bottom of hood prop (Fig. 17) out of retaining bracket. Lower hood prop, pivot upward, then downward to prop up hood.

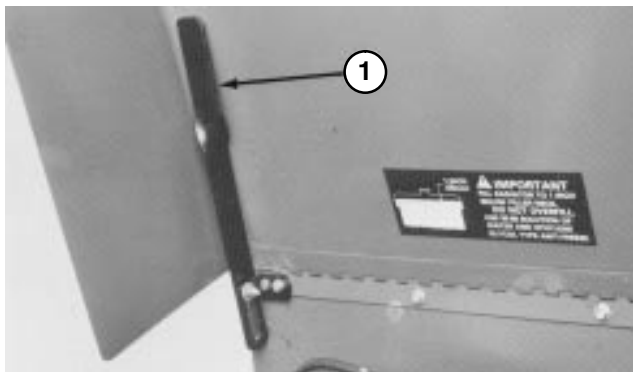


Figure 17
1. Hood Prop

4. Remove dipstick and wipe it with a clean rag (Fig. 18). Push dipstick down into the tube and ensure it is fully seated. Pull dipstick out of the tube and check level of oil. If oil level is low, remove filler cap (Fig. 19) and add enough oil to raise level to top notch on dipstick (Fig. 18). DO NOT OVERFILL.

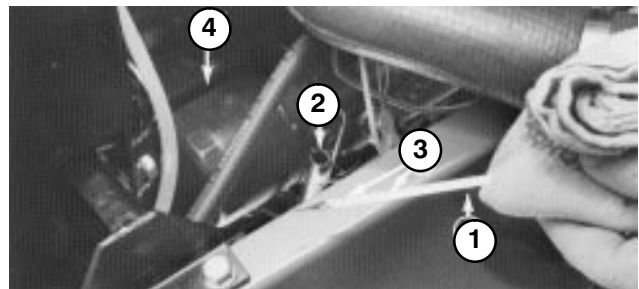


Figure 18
1. Dipstick
2. Dipstick tube
3. Keep oil level between notches
4. Engine oil filter

5. The engine uses any high-quality detergent oil having the American Petroleum Institute—API—“service classification” SF/CC or CD. Oil viscosity recommendations are: SAE 10W-30.

BEFORE OPERATING

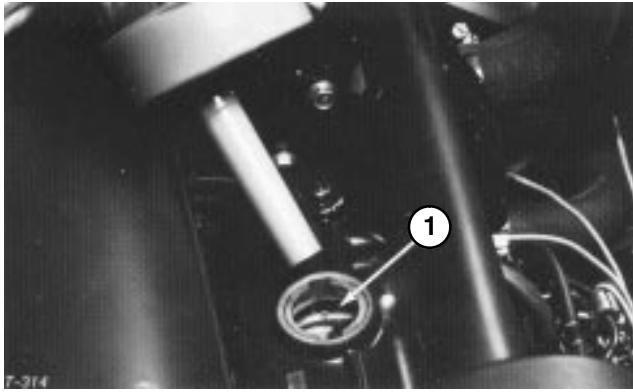


Figure 19

1. Oil fill hole

IMPORTANT: Check level of oil after every 5 hours of operation or daily. Change oil and filter after initial 50 hours and every 100 hours thereafter. Change oil and filter more frequently when engine is operated in extremely dusty or dirty conditions.

6. Install dipstick into tube.

FILL FUEL TANK WITH DIESEL FUEL

The engine runs on No. 1-D or 2-D automotive type diesel fuel with a minimum cetane rating of 40.

Note: Higher cetane rated fuel may be required if machine is to be used at high altitudes and low atmospheric temperatures.



Because diesel fuel is flammable, caution must be used when storing or handling it. Do not fill fuel tank while engine is running, hot, or when machine is in an enclosed area. Vapors may build up and be ignited by a spark or flame source many feet away. DO NOT SMOKE while filling the fuel tank to prevent the possibility of an explosion. Always fill fuel tank outside and wipe up any spilled diesel fuel before starting engine. Use a funnel or spout to prevent spilling diesel fuel and fill tank to about 1 inch (25 mm) below the filler neck. Store diesel fuel in a clean, safety-approved container and keep the cap in place on the container. Keep diesel fuel in a cool, well-ventilated place, never in an enclosed area such as a hot storage shed. To assure volatility and to prevent contamination, do not buy more than a 6 month supply.

Use No. 2-D diesel fuel at temperatures above 20°F (-7°C) and No. 1-D diesel fuel below 20°F (-7°C). Use

of No. 1-D diesel fuel at lower temperatures provides lower flash point and pour point characteristics, therefore, easing startability and lessening chances of chemical separation of the fuel due to low temperatures (wax appearance, which may plug filters).

Use of No. 2-D diesel fuel above 20°F (-7°C) contributes toward longer life of the pump components. Do not use furnace oil. Furnace oils usually contain heavy cracked distillates which are not suitable for diesel engines.

Store fuel outside of buildings in a convenient location. Tipping the front of the tank up slightly allows contaminants to collect at the lower end away from the outlet. Never empty the tank below 4 in. (10 cm) from the bottom of the tank to avoid picking up water and other contaminants that may have collected at the bottom. Either filter the remainder at the bottom through a chamois or dispose of it periodically to prevent excessive build-up of contaminants.

Keep all fuel containers free of dirt, water, scale, and other contaminants. Many engine difficulties can be traced to contaminants in the fuel.

Use only metal containers for fuel storage. DO NOT store the fuel in a galvanized metal container. A chemical reaction will result, which will plug the filters and cause possible fuel system damage.

If possible, fill the fuel tank at the end of each day's operation. This will prevent possible buildup of condensation inside the fuel tank, which could cause possible engine damage. Allow the engine to thoroughly cool down before refueling.

1. Tip seat forward and prop it with the support rod so it cannot fall accidentally. Using a clean rag, clean area around fuel tank cap (Fig. 20).

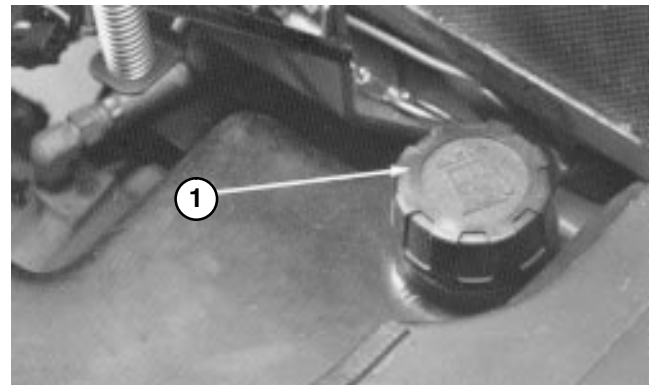


Figure 20

1. Fuel tank cap

2. Remove cap from the fuel tank and fill the 6-1/2 gallon (25 L) tank to within 1 inch (25 mm) from the top with diesel fuel. Install fuel tank cap tightly after filling tank.

BEFORE OPERATING

CHECK COOLING SYSTEM

Clean debris off screen and front of radiator daily, hourly if conditions are extremely dusty and dirty; refer to Cleaning Radiator and Screen.

The cooling system is filled with a 50/50 solution of water and permanent ethylene glycol anti-freeze. Check level of coolant at beginning of each day before starting the engine. Capacity of cooling system is approximately 6 quarts (5.7 L).

1. Carefully remove radiator cap. Coolant is pressurized and may be hot if engine has been running.
2. Check level of coolant in radiator. Level of coolant must be above the core and about 1 inch (25 mm) below bottom of filler neck.
3. If coolant level is low, replenish the system. DO NOT OVERFILL.
4. Install radiator cap.

CHECK HYDRAULIC SYSTEM OIL

The hydraulic system is designed to operate on any high-quality detergent oil having the American Petroleum Institute—API—“service classification” SF/CC or CD. Oil viscosity—weight—must be selected according to anticipated ambient temperature. Temperature/viscosity recommendations are:

Expected Ambient Temperature	Recommended Viscosity and Type
(Extreme) over 90°F	SAE 30, Type SF/CC or CD engine oil.
(Normal) 40-100°F	SAE 10W-30 or 10W-40, Type SF/CC or CD engine oil.
(Cool—Spring/Fall) 30-50°F	SAE 5W-30, Type SF/CC or CD engine oil.
(Winter) Below 30°F	Type “F” or “FA” ATF Automatic Transmission Fluid.

Note: Do not mix engine oil and automatic transmission fluid or hydraulic system component damage may result. When changing fluids, also change transmission filter. **DO NOT USE DEXRON II ATF.**

Note: Fluid to operate the power steering is supplied by the hydraulic system transmission charge pump. Cold weather start-up may result in “stiff” operation of the steering until the hydraulic system has warmed up. Using proper weight hydraulic oil in system minimizes this condition.

18

The front axle housing acts as the reservoir for the system. The transmission and axle housing are shipped from the factory with approximately 5 quarts (4.7 L) of SAE 10W-30 engine oil. However, check level of transmission oil before engine is first started and daily thereafter.

1. Position machine on a level surface, raise the implement, and stop the engine.
 2. Unscrew dipstick cap (Fig. 21) from the filler neck and wipe it with a clean rag. Screw dipstick cap fingertight onto filler neck. Unscrew the dipstick and check level of oil. If level is not within 1/2 inch (13 mm) from the groove in the dipstick (Fig. 21), add enough oil to raise level to groove mark. DO NOT OVERFILL by more than 1/2 inch (13 mm) above groove.
- IMPORTANT: When adding oil to the hydraulic system, use a funnel with a fine wire screen—200 mesh—and ensure funnel and oil are immaculately clean. This procedure prevents accidental contamination of the hydraulic system.**
3. Screw dipstick filler cap finger-tight onto filler neck. It is not necessary to tighten cap with a wrench.
 4. Lower the implement.

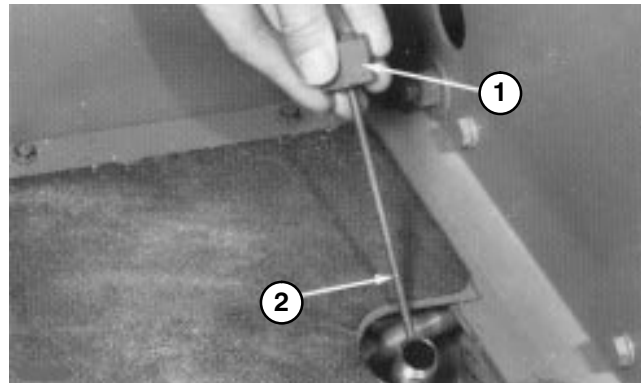


Figure 21
1. Dipstick cap 2. Groove

CHECK REAR AXLE

The rear axle has three separate reservoirs which use SAE 80W-90 wt. gear lube. Although the axle is shipped with lubricant from the factory, check the level before operating the machine.

1. Position the machine on a level surface.
2. Remove a check plug from each end of axle and make sure lubricant is up to bottom of hole. If level is low, remove one of the mounting bolts above each end plug and add enough lubricant to bring the level up to the bottom of the hole (Fig. 22).
3. Remove plug in center of axle and check level. If level is low, add enough lubricant to bring the level up to the bottom of the hole (Fig. 22).

BEFORE OPERATING

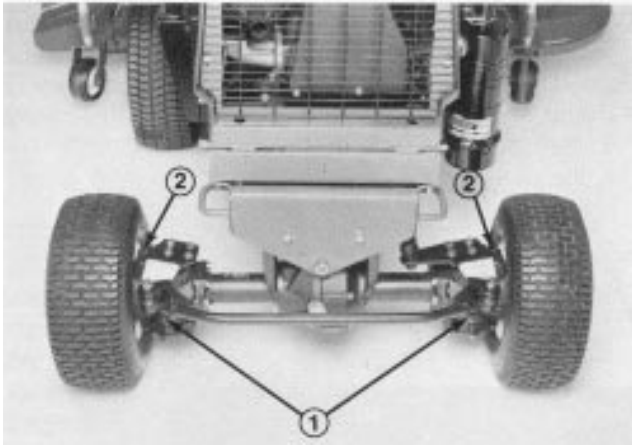


Figure 22

1. Check Plugs (3) 2. Mounting Bolts

4. To make sure that the cavities at each end of axle tube are filled, jack up each side of the axle approximately 6". Then with axle level, check level at center plug hole.

CHECK BIDIRECTIONAL CLUTCH LUBRICANT

1. Position the machine on a level surface.
2. Rotate clutch so check plug is positioned at 4 O'clock (Fig. 23).

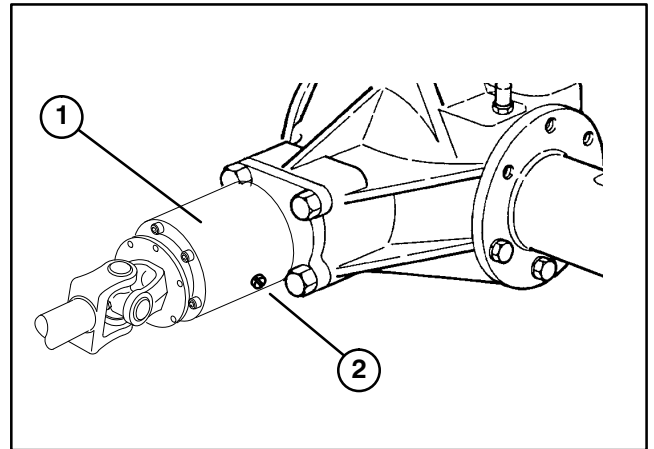


Figure 23

1. Bidirectional Clutch
2. Check Plug

3. Remove check plug. Fluid level should be up to hole in clutch. If fluid level is low, add Mobil Fluid 424. Clutch should be approximately 1/3 full.


4. Install check plug.

Note: Do not use engine oil (i.e. 10W30) in bidirectional clutch. Anti-wear and extreme pressure additives will cause undesirable clutch performance.

CONTROLS

Traction Pedal (Fig. 24)—Traction pedal has two functions; one is to make the machine move forward, the other is to make it move backward. Using the heel and toe of the right foot, depress top of pedal to move forward and bottom of pedal to move backward. Ground speed is proportionate to how far pedal is depressed. For maximum ground speed with no load, traction pedal must be fully depressed while throttle is in FAST position. Maximum speed forward is approximately 9.5 mph (15 km/hr). To get maximum power under heavy load or when ascending a hill, have throttle in FAST position while depressing traction pedal slightly to keep engine rpm high. When engine rpm begins to decrease, release traction pedal slightly to allow engine rpm to increase.

Turn Pedals (Fig. 24)—The left and right turn pedals are connected to the left and right front wheel brakes since both brakes work independently of each other. The brakes can be used to turn sharply or to increase traction if one wheel tends to slip while operating on a hillside. However, wet grass or soft turf could be damaged when brakes are used to turn.



CAUTION

When foot is removed from the traction pedal, machine should stop; it must not creep in either direction. If machine does creep, do not operate until neutral assembly has been repaired and adjusted; refer to Adjusting Traction Drive for Neutral,

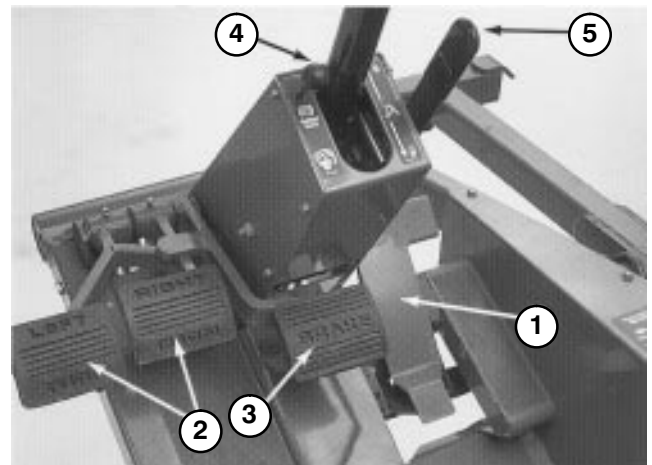


Figure 24

1. Traction pedal 4. Parking brake knob
2. Turn pedals 5. Tilt Steering Control
3. Brake pedal

CONTROLS

Tilt Steering Control (Fig. 24)—Lever on right side of steering column. Pull lever rearward to adjust steering wheel to desired fore or aft operating position and push lever forward to lock adjustment.

Brake Pedal (Fig. 24)—Whenever the engine is shut off, the parking brake must be engaged to prevent accidental movement of the machine.

The hydrostatic transmission will not, at any time, act as a parking brake for the machine. To engage parking brake, push down fully on brake pedal and pull parking brake knob out; then release the pedal. To release parking brake, depress brake pedal until parking brake knob retracts. To stop quickly, remove right foot from traction pedal and depress the brake pedal. To permit straight stops, brake cables must be evenly adjusted.

Lift Lever (Fig. 25)—The hydraulic lift lever has three positions: FLOAT, TRANSPORT, and RAISE. To lower implement to the ground, move lift lever forward into notch, which is the FLOAT position. The FLOAT position is used for operation and also when machine is not in operation. To raise implement, pull lift lever backward to the RAISE position. After implement is raised, allow lift lever to move to the TRANSPORT position. Normally, implement should be raised when driving from one work area to another, except when descending steep slopes.



CAUTION

Never raise implement or cutting unit while blades or other components are rotating. The exposed, rotating blades are hazardous.



Figure 25
1. Lift lever

PTO Lever (Fig. 26)—The PTO lever has two positions: ON (engage) and OFF (disengage). Slowly push PTO lever fully forward to ON position to start the implement or cutting unit blades. Slowly, pull lever backward to OFF position to stop implement operation. The only time PTO lever should be in the ON position is when implement or cutting unit is down in operating position.

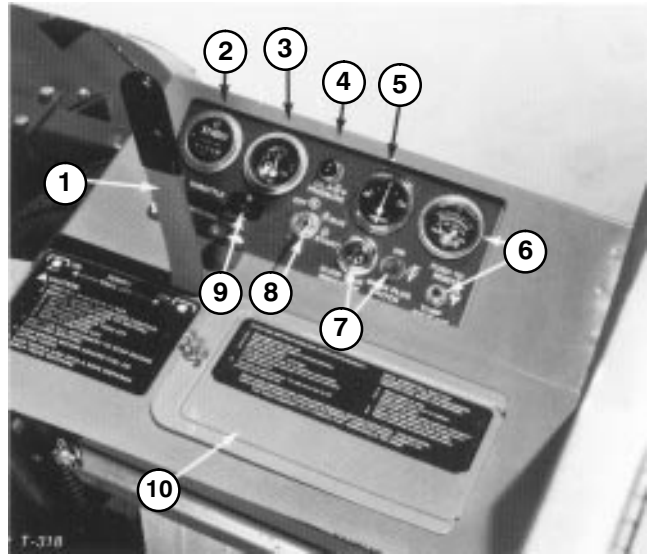


Figure 26

- | | |
|---------------------------|---------------------------------|
| 1. PTO lever | 6. Temp gauge and reset |
| 2. Hour meter | 7. Glow plug switch & indicator |
| 3. Fuel gauge | 8. Key switch |
| 4. Oil pressure indicator | 9. Throttle control |
| 5. Ammeter | 10. Battery cover |

Hour Meter (Fig. 26)—The hour meter registers accumulated hours of engine operation. Use the hour meter to determine intervals for service maintenance and lubrication.

Fuel Gauge (Fig. 26)—Indicates quantity of fuel remaining in fuel tank.

Oil Pressure Warning Light (Fig. 26)—The oil pressure warning light glows and a buzzer sounds when oil pressure in engine drops below a safe level. If low oil pressure ever occurs, stop engine and determine the cause. Repair the damage before starting the engine again.

Ammeter (Fig. 26)—Ammeter shows charge rate of the battery by the alternator. When engine is running, there usually is a slight charge, unless engine is idling slowly. Needle points to 0 when battery is fully charged. By contrast, alternator is not charging the battery when needle points to (-) negative side of ammeter. If this happens, repair the charging system to prevent discharge of the battery.

Temperature Switch/Gauge and Reset Button (Fig. 26)—The temperature switch/gauge registers the temperature of the coolant in the cooling system. If temperature of coolant gets too high the engine will shut off automatically. When this happens, rotate ignition key to OFF. Automatic shut-off of the engine usually results from debris on front of screen or radiator, which reduces air flow. After cleaning outside of screen and radiator or repairing some other damage, press the reset button and start the engine.

CONTROLS

IMPORTANT: If the switch must be overridden because of an emergency, the engine can be started and will continue to run while reset button is held in.

Glow Plug Switch and Indicator (Fig. 26)—Use to preheat engine cylinders before and during starting procedures. Push switch lever upward and hold while watching indicator. Indicator glows red when sufficiently heated. Length of time necessary to preheat cylinders should be determined by atmospheric temperature; refer to Starting/Stopping Engine.

Key Switch (Fig. 26)—The key switch, which is used to start and stop the engine, has three position: OFF, RUN, and START. Rotate key clockwise to the START position to engage starter motor. When engine starts, release key and it will move automatically to the ON position. To shut engine off, rotate key counterclockwise to the OFF position.

Throttle Control (Fig. 26)—Throttle is used to operate engine at various speeds. Moving throttle forward increases engine speed—FAST; backward decreases engine speed—SLOW. The throttle regulates the speed of the cutter blades or other implement components and, in conjunction with traction pedal, controls ground speed of the traction unit.

Electrical System Fuses (Fig. 27)—An engine temperature reset relay fuse—SFE 14 amp—is located at the rear of the reset relay. An inline fuse—AGC 10 amp—is also incorporated to protect the engine control module. Access to the fuses can be gained by removing the instrument panel cover.

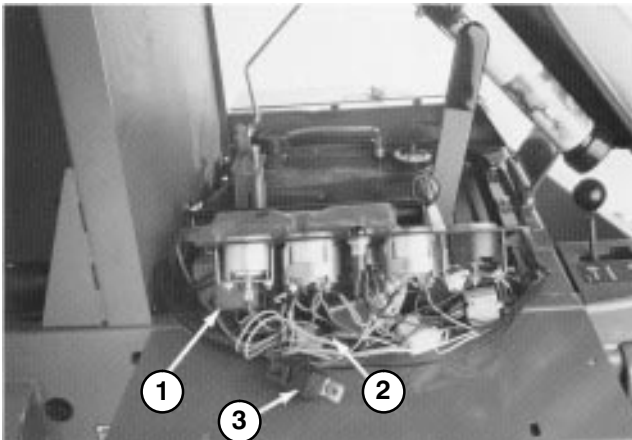


Figure 27

1. SFE 14 amp fuse—Engine temperature reset relay
2. Inline AGC 10 amp fuse—Engine control module
3. Engine start relay

A 40 amp circuit breaker (Fig. 28) is also incorporated to protect the entire wiring circuit. A reset button is located on the lower side of the panel, which can be reached after removal of the battery cover. The button should be depressed if a total loss of all electrical functions should occur. However, the electrical system should first be checked to ascertain the reason for the malfunction.



Figure 28

1. Circuit breaker reset button

Engine Stop Lever (Fig. 29)—Located on the lower right side of the engine inboard of the air cleaner assembly. Provided as a means to stop the fuel flow, thereby stopping the engine, if an electrical malfunction should occur. Use only for emergencies.

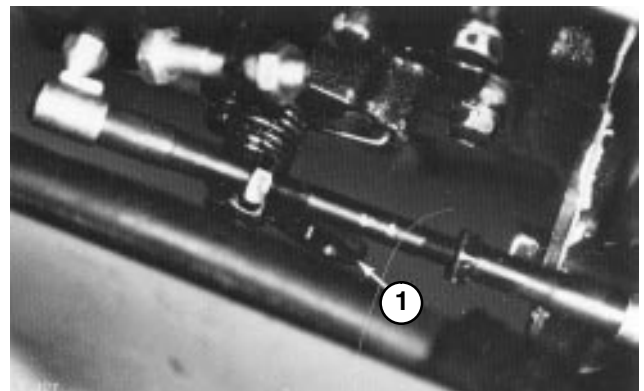


Figure 29

1. Engine stop lever

CONTROLS

Seat Adjusting Lever (Fig. 30)—To adjust standard seat, push lever backward and slide seat to the desired position. Release lever to lock seat in place. The suspension seat may be adjusted forward or rearward by pulling out the lever at the left side of the seat, sliding the seat to the desired position, and releasing the lever. The weight adjustment knob may be adjusted for any operator's comfort.

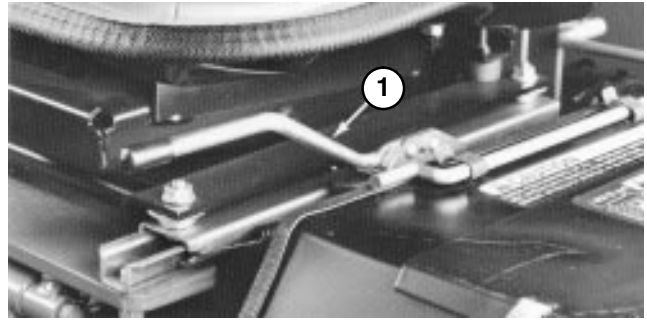


Figure 30

1. Seat adjusting lever

OPERATING INSTRUCTIONS

STARTING/STOPPING ENGINE

IMPORTANT: The fuel system must be bled if any of the following situations have occurred:

- A. Initial start up of a new machine.
- B. Engine has ceased running due to lack of fuel.
- C. Maintenance has been performed upon fuel system components; i.e. filter replaced, separator serviced, and so on.

Refer to Bleeding Fuel System.

1. Ensure parking brake is set, PTO lever is in OFF position, and lift lever is in TRANSPORT or FLOAT position. Remove foot from traction pedal and insure it is in neutral.
2. Move throttle control to full FAST position.
3. Push glow plug switch to ON position and hold until indicator glows red. Continue to hold switch in position for suggested interval and turn key in key switch to START position. Release glow plug switch after engine starts and allow key to return to RUN position. Move throttle control to SLOW position.

Note: Do not exceed 1 minute of continuous use or glow plug may fail prematurely.

Note: Refer to chart indicating approximate preheat time suggested in various temperature ranges.

Temperature	Preheat time (sec)
Above 41°F (5°C)	10
23°F to 41°F	20
Below 23°F (-5°C)	30

Note: Do not run starter motor more than 10 seconds at a time or premature starter failure may result. If engine fails to start after 10 seconds, turn key to OFF position, recheck controls and procedures, wait 10 additional seconds and repeat starter procedure.

4. Turn key in key switch to START position. Release key immediately when engine starts and allow it to return to RUN position. Move throttle control to SLOW position.
5. When engine is started for the first time, or after overhaul of the engine, transmission or axle, operate the machine in forward and reverse for one or two minutes. Also operate the lift lever and PTO lever to assure proper operation of all parts. Turn steering wheel to the left and right to check steering response. Then shut engine off and check for oil leaks, loose parts, and any other noticeable difficulties.


CAUTION

Shut engine off and wait for all moving parts to stop before checking for oil leaks, loose parts, or other difficulties.

6. To stop engine, move throttle control backward to SLOW position, move PTO lever to OFF position, and rotate ignition key to OFF. Remove key from switch to prevent accidental starting.

OPERATING INSTRUCTIONS

BLEEDING FUEL SYSTEM

1. Unlatch and raise hood over engine.
2. Loosen air bleed screw on top of fuel filter/water separator (Fig. 31).

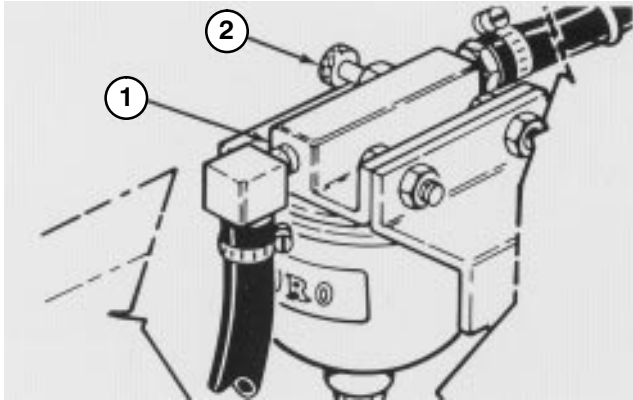


Figure 31

1. Fuel filter/water separator
2. Bleed screw

3. Turn key in ignition switch to the RUN position. Electric fuel pump will begin operation, thereby forcing air out around air bleed screw. Leave key in RUN position until solid stream of fuel flows out around screw. Tighten screw and turn key to OFF.

4. Open the air bleed screw on the fuel injection pump (Fig. 32) with a 12 mm wrench.

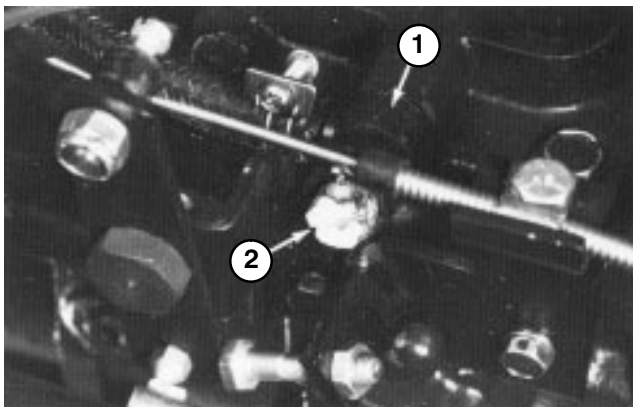


Figure 32

1. Fuel injection pump
2. Air bleed screw

5. Turn key in ignition switch to the RUN position. Electric fuel pump will begin operation, thereby forcing air out around air bleed screw on fuel injection pump. Leave key in RUN position until solid stream of fuel flows out around the screw. Tighten screw and turn key to OFF.

Note: Normally, engine should start after above bleeding procedures are followed. However, if engine does not start, air may be trapped between injection pump and injectors; refer to Bleeding Air From Injectors.

CHECKING INTERLOCK SWITCHES

The machine has interlock switches in the electrical system. These switches are designed to stop the engine when operator gets off the seat while either the PTO lever is engaged or traction pedal is depressed. However, operator may get off the seat while engine is running. Although engine will continue to run if PTO lever is disengaged and traction pedal is released, it is strongly recommended that the engine be stopped before dismounting from the seat.



CAUTION

Do not disconnect the interlock switches. Check operation of switches daily to assure interlock system is operating correctly. If a switch is malfunctioning, replace it before operating the machine. To ensure maximum safety, replace all switches after every two years or 1000 hours, whichever comes first.

To check operation of interlock switches:

1. Drive the machine slowly to a large, relatively open area. Lower cutting unit, stop the engine and apply parking brake.
2. Sit on seat. Move PTO lever to ON position. With the traction pedal in neutral position, try to start the engine. The engine should not crank. If the engine cranks, there is a malfunction in the interlock system that should be corrected before beginning operation.
3. Sit on seat. Move PTO lever to OFF and depress the traction pedal. Try to start the engine. The engine should not crank. If the engine cranks, there is a malfunction in the interlock system that should be corrected before beginning operation.



WARNING

Do not operate machine without implement unless the PTO driveshaft is also removed.

4. Sit on seat and start the engine. Raise off the seat and move the PTO lever to ON. The engine should stop within 2-3 seconds. If the engine does not stop, there is a malfunction in the interlock system that should be corrected before beginning operation.

OPERATING INSTRUCTIONS

PUSHING OR TOWING TRACTION UNIT

In an emergency, the traction unit can be pushed or towed for a very short distance. However, Toro does not recommend this as standard procedure.

IMPORTANT: Do no push or tow the traction unit faster than 2 to 3 mph (3 to 4.8 km/hr) because transmission may be damaged. If traction unit must be moved a considerable distance, transport it on a truck or trailer. Whenever traction unit is pushed or towed, by-pass valve must be open.

1. Reach under traction unit and rotate by-pass valve (Fig. 33) 1/2 to 1 turn counterclockwise. Opening the valve opens an internal passage in the transmission, thereby by-passing transmission oil. Because fluid is by-passed, traction unit can be moved without damaging the transmission.

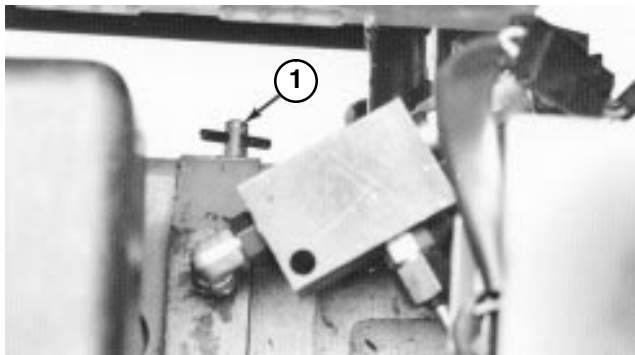


Figure 33

1. By-pass valve

2. Before starting engine, close by-pass valve by rotating it clockwise until it is securely seated. Do not exceed 5 to 8 ft-lb (7-11 N.m). Do not start engine when valve is open.

IMPORTANT: Running the machine with by-pass valve open will cause the transmission to overheat.

OPERATING CHARACTERISTICS

Practice driving the GROUNDSMASTER 325-D 4 Wheel Drive because it has a hydrostatic transmission and its characteristics are different than many turf maintenance machines. Some points to consider when operating the traction unit, cutting unit, or other implement are the transmission, engine speed, load on the cutting blades or other implement components, and the importance of the brakes.

To maintain enough power for the traction unit and implement while operating, regulate traction pedal to keep engine rpm high and somewhat constant. A good rule to follow is: decrease ground speed as the load on the implement increases, and increase ground speed as the load decreases.

Therefore, allow traction pedal to move backward as engine rpm decrease, and depress pedal slowly as rpm increase. By comparison, when driving from one work area to another—with no load and cutting unit raised—have throttle in FAST position and depress traction pedal slowly but fully to attain maximum ground speed.

Another characteristic to consider is the operation of the turning pedals that are connected to the brakes. The brakes can be used to assist in turning the machine. However, use them carefully, especially on soft or wet grass because the turf may be torn accidentally. Another benefit of the turning brakes is to maintain traction. For example: in some slope conditions, the uphill wheel slips and loses traction. If this situation occurs, depress uphill turn pedal gradually and intermittently until the uphill wheel stops slipping, thus, increasing traction on the downhill wheel.

CAUTION: This product may exceed noise levels of 85 dB(A) at the operator position. Ear protectors are recommended, for prolonged exposure, to reduce the potential of permanent hearing damage.

Use extra care when operating machine on slopes. Always have seat pivot retaining pin installed. Drive slowly and avoid sharp turns on slopes to prevent roll overs. The cutting deck must be lowered when going downhill for steering control.

The grass deflector must always be installed and in lowest position on the side discharge cutting unit.



WARNING

This product is designed to drive objects into the ground where they lose energy quickly in grassy areas. However, when a person or pet appears suddenly in or near mowing area, STOP MOWING.

Careless operation, combined with terrain angle, ricochets, or improperly positioned safety guards can lead to thrown object injuries. Do not resume mowing until area is cleared.

Before stopping the engine, disengage all controls and move throttle to SLOW. Moving throttle to SLOW reduces high engine rpm, noise, and vibration. Turn key to OFF to stop engine.

Note: With the standard rear axle driveshaft, there is not 4 wheel drive when operating in reverse.

DAILY MAINTENANCE CHECKLIST

Daily Maintenance: (duplicate this page for routine use)

Maintenance Check Item ▼	Daily Maintenance Check For Week Of _____						
	MON	TUES	WED	THURS	FRI	SAT	SUN
✓ Safety Interlock Operation							
✓ Grass Deflector in Down Position							
✓ Brake Operation							
✓ Engine Oil Level							
✓ Cooling System Fluid Level							
✓ Drain Water/Fuel Separator							
✓ Dust Cup and Baffle (Air Filter)							
✓ Radiator & Screen for Debris							
✓ Unusual Engine Noises ¹							
✓ Transmission Oil Level							
✓ Hydraulic Hoses for Damage							
✓ Fluid Leaks							
✓ Tire Pressure							
✓ Instrument Operation							
✓ Condition of Blades							
Lubricate All Grease Fittings ²							
Touch-up Damaged Paint							

1= Check glow plug and injector nozzles, if hard starting, excess smoke or rough running is noted.

2= Immediately after every washing, regardless of the interval listed.

Notation for areas of concern: Inspection performed by _____

Item	Date	Information
1		
2		
3		
4		
5		
6		
7		
8		

Check proper section of Operator's Manual for fluid specifications

LUBRICATION

GREASING BEARINGS, BUSHINGS AND BRAKE CABLES

The traction unit must be lubricated regularly. If machine is operated under normal conditions, lubricate all bearings and bushings after every 50 hours of operation.

1. The traction unit bearings and bushings that must be lubricated are: PTO shaft and yokes (Fig. 34); lift arm pivots (Fig. 34); right and left push arm ball joints (Fig. 34); push arm pivot bushings (Fig. 35); PTO pivot housing blocks (Fig. 36); brake pivot bushings (Fig. 37); axle tie rod (2) (Fig. 38); axle pivot pin (Fig. 38); cylinder rod ends (2) (Fig. 38) drive shaft (3) (Fig. 39); clutch housing (Fig. 39) and engine output shaft bearing (Fig. 40). Also apply grease to both brake cables at the drive wheel and brake pedal ends.



Figure 36



Figure 34

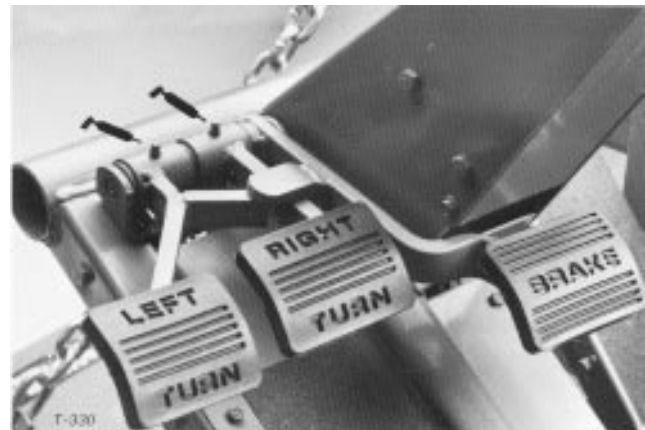


Figure 37

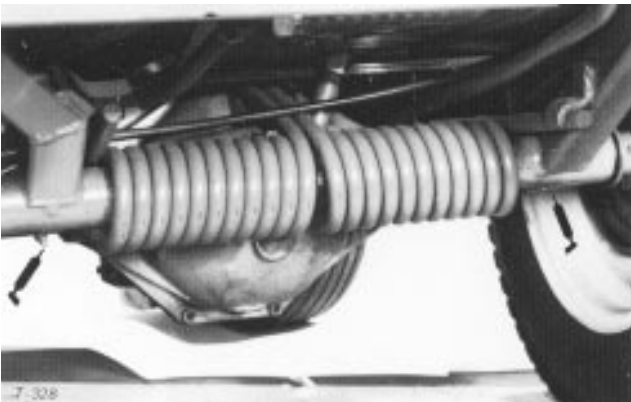


Figure 35

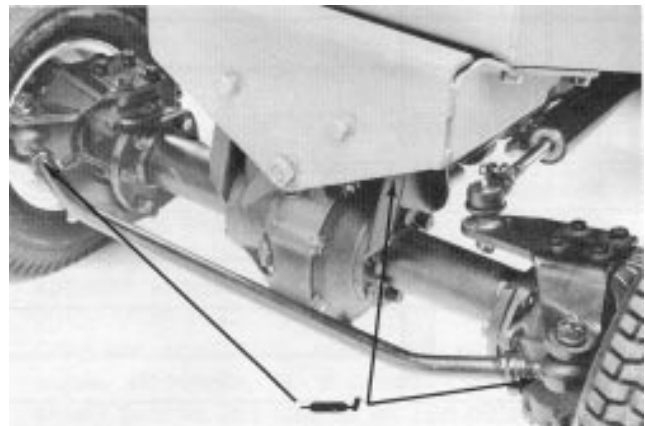


Figure 38

LUBRICATION

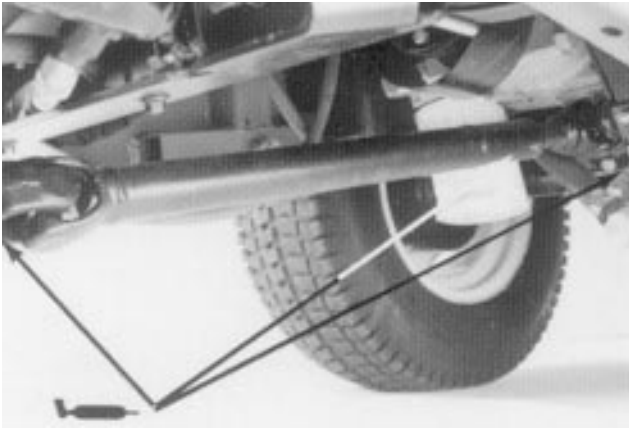


Figure 39

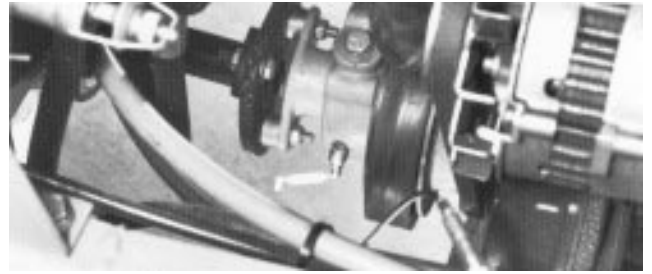


Figure 40

MAINTENANCE

REPLACING SEAT SWITCH

1. Remove instrument cover and disconnect negative battery cable from battery.
2. Pivot seat forward and secure with support rod to prevent it from falling accidentally and possibly causing injury.
3. Remove boot from button end of seat switch (Fig. 41). Retain boot for reinstallation. Separate switch wire connectors.

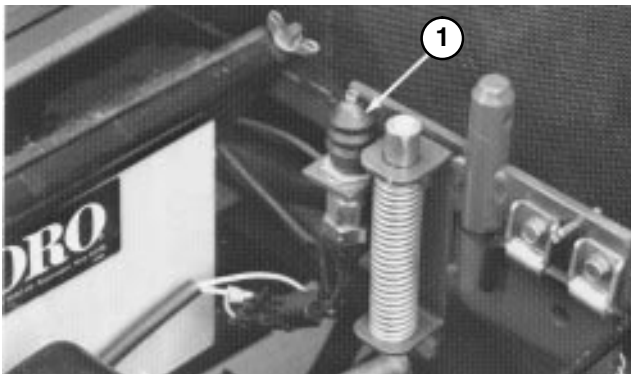


Figure 41
1. Seat Switch

4. Remove top jam nut securing switch to mounting bracket and remove switch.
5. (Model 30741 only) Remove flange screw and locknut securing sealing plate, over fuel tank, to frame. Remove sealing plate.

6. Install new seat switch to support bracket. Adjust switch height so it is $3/32$ " (2.4 mm) below top of spring pin. Tighten jam nuts to 75 in-lb. Reinstall boot to switch.

IMPORTANT: Switch threads will be damaged if jam nuts are over tightened.

7. Carefully release seat to its normally down position, but do not sit or apply pressure to the seat. There should be a slight gap between the switch and the seat plate.

8. Connect a continuity tester or ohm meter to switch connector. With seat in down position and no one on the seat, the switch circuit should not have any continuity. If there is continuity, recheck switch installation. If there is no continuity, proceed to next step.

9. Sit on the seat. The seat switch should have continuity. If there is no continuity, recheck switch installation. If there is no continuity, proceed to next step.

10. Push switch connectors together.

11. (Model 30741) Reinstall sealing plate to frame, above fuel tank with flange screw and locknut previously removed.

12. Connect battery cable and install instrument cover.

REPLACING PTO SWITCH

1. Remove instrument cover and disconnect negative battery cable from battery.
2. Move PTO lever forward to ON position.

MAINTENANCE

3. Remove boot from button end of PTO switch (Fig. 42). Retain boot for reinstallation. Separate switch wire connectors.



Figure 42
1. PTO Switch

4. Remove front jam nut securing switch to mounting bracket and remove switch.

5. Install new PTO switch to mounting bracket. Adjust switch so it is depressed 1/2" (13 mm) when PTO lever is moved to OFF position. Tighten jam nuts to 75 in-lb. Reinstall boot to switch.

IMPORTANT: Switch threads will be damaged if jam nuts are over tightened.

6. Connect a continuity tester or ohm meter to switch connector. With PTO lever in the ON position the switch circuit should not have any continuity. If there is continuity, recheck switch installation. If there is no continuity, proceed to next step.

7. Move PTO lever to the OFF position. When PTO lever is in its normal, released position, the PTO switch should have continuity. If there is no continuity, recheck switch installation. If there is no continuity, proceed to next step.

8. Push switch connectors together.

9. Connect battery cable and install instrument cover.

SERVICING BATTERY

IMPORTANT: Before welding on the machine, disconnect ground cable from the battery to prevent damage to the electrical system.

Note: Check battery condition weekly or after every 50 hours of operation. Keep terminals and entire battery case clean because a dirty battery will discharge slowly. To clean the battery, wash the entire case with solution of baking soda and water. Rinse with clear water. Coat the battery posts and cable connectors with Grafo 112X (skin-over) grease (Toro Part No. 505-47) or petroleum jelly to prevent corrosion.

GENERAL AIR CLEANER MAINTENANCE

Inspect air cleaner and hose periodically to maintain maximum engine protection and to ensure maximum service life.

1. Assure hose between air cleaner and carburetor is clamped securely in place. Replace the hose if it is cracked or punctured.

2. Check air cleaner body for dents and other damage which could possibly cause an air leak. Replace a damaged air cleaner body.

3. Be sure dust cap is sealing around bottom of air cleaner body.

4. Mounting screws and nuts holding air cleaner in place must be tight.

5. Inlet cap must be free of obstruction.

SERVICING DUST CUP AND BAFFLE

Inspect the dust cup and rubber baffle once a week or every 50 hours operation. However, daily or more frequent inspection is required when operating conditions are extremely dusty and dirty. Never allow dust to build up closer than one inch (25 mm) from the rubber baffle.

Note: If conditions are extremely dusty and dirty, begin by checking dust cup and baffle after each day's operation to establish approximately how long an interval passes before dust cup should be emptied. Base further maintenance requirements on this figure. These conditions may be particularly prevalent if the rear discharge cutting unit is attached.

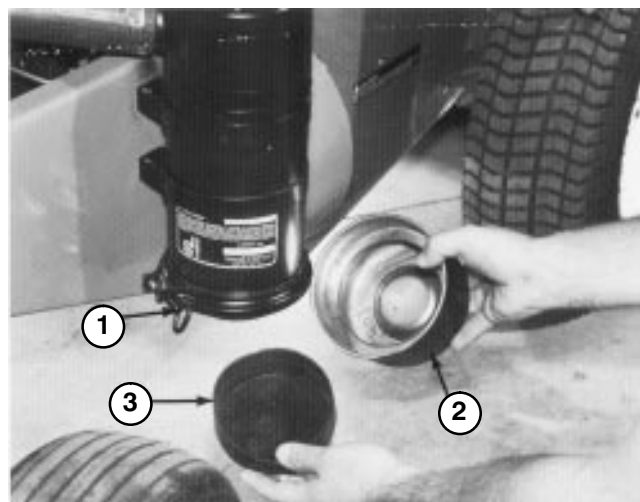


Figure 43
1. Thumbscrew
2. Dust cup
3. Baffle

1. Loosen thumb screw until dust cup and baffle can be removed (Fig. 43). Separate dust cup and baffle.

2. Dump dust out of the dust cup. After cleaning cup and baffle, assemble and reinstall both parts.

MAINTENANCE

SERVICING AIR CLEANER FILTER

Service the air cleaner filter every 250 hours or more frequently in extreme dusty or dirty conditions by washing or using compressed air. Replace the element after every six cleanings (1500 hours) or annually, whichever comes first.

1. Remove and service dust cup; refer to Servicing Dust Cup and Baffle.
2. Remove wing nut w/gasket and slide filter element out of air cleaner body (Fig. 44).

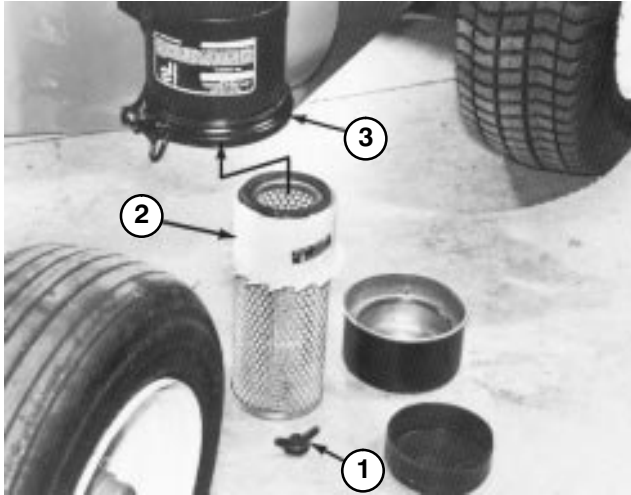


Figure 44

1. Wing nut with gasket
2. Filter element
3. Air cleaner body

3. Clean the element by washing it in a solution of filter cleaner (Toro Part No. 27-7220) and water, or blow dirt out of filter by using compressed air.

Note: Compressed air is recommended when element must be used immediately after servicing because a washed element must be dried before it is used. By comparison, washing the element cleans better than blowing dirt out with compressed air. Remember, though, filter must be washed when exhaust soot is lodged in the filter pores.

Washing Method

IMPORTANT: Do not remove plastic fin assembly because washing removes dust from beneath fins.

- A. Prepare a solution of filter cleaner and water and soak filter element about 15 minutes. Refer to directions on filter cleaner carton for complete information.
- B. After soaking filter for 15 minutes, rinse it with clear water. Maximum water pressure must not exceed 40 psi (276 kPa) to prevent damage to the filter element.

C. Dry filter element using warm, flowing air (160°F (71°C) max), or allow element to air-dry. Do not use compressed air or a light bulb to dry the filter element because damage could result.

Compressed Air Method

IMPORTANT: Do not remove plastic fin assembly because back-blowing with compressed air removes dust from beneath fins.

A. Blow compressed air from inside to the outside of dry filter element. Do not exceed 100 psi (689 kPa) to prevent damage to the element.

B. Keep air hose nozzle at least one inch (25 mm) from pleated paper, and move nozzle up and down while rotating the filter element. Inspect element when dust and dirt are removed; refer to Inspecting Filter Element.

4. Wipe inside of air cleaner body with a damp cloth to remove excess dust. Slide filter into air cleaner body and secure it in place with wing nut and gasket.

5. Reinstall dust cup and baffle. Move thumb screw behind air cleaner body and tighten it securely.

INSPECTING FILTER ELEMENT

1. Place bright light inside filter.
2. Rotate filter slowly while checking for cleanliness, ruptures, holes, and tears. Replace defective filter element.
3. Check fin assembly, gasket, and screen for damage. Replace filter if damage is evident.

CLEANING RADIATOR AND SCREEN

The screen and front of the radiator must be kept clean to prevent the engine from overheating. Normally, check the screen and front of radiator daily and, if necessary, clean any debris off these parts. However, it will be necessary to check and to clean the screen each quarter hour and radiator checked every hour in extremely dusty and dirty conditions.

Note: This situation may be particularly prevalent if the rear discharge cutting unit is being used. The front of the radiator can be cleaned thoroughly by blowing with compressed air from the fan side of the radiator. Make sure to clean out any debris that settles to the bottom of the screen. The screen in front of radiator can be removed—by loosening wing nuts at top of screen—to make cleaning easier.

MAINTENANCE

CHANGING CRANKCASE OIL AND FILTER

Check oil level after each day's operation or each time machine is used. Change oil and filter after first 50 hours operation and every 100 hours thereafter. However, change oil more frequently when engine is operated in dusty or sandy conditions. If possible, run engine just before changing oil because warm oil flows better and carries more contaminants than cold oil.

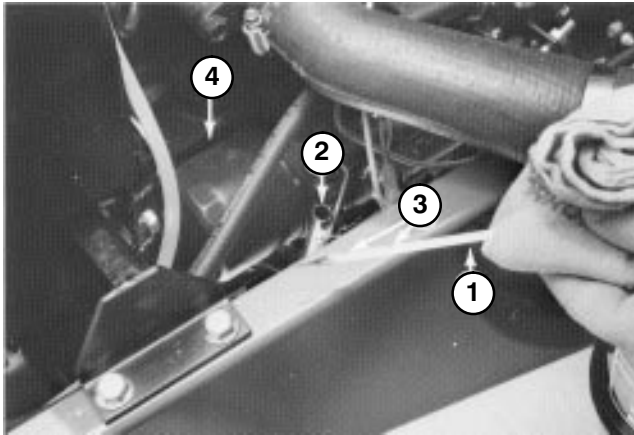


Figure 45

1. Dipstick
2. Dipstick tube
3. Keep oil level between notches
4. Engine oil filter

1. Position machine on a level surface.
2. Disengage hood latch and open the hood. Set drain pan under the housing and in line with drain plug (Fig. 46).
3. Clean area around drain plug (Fig. 46).

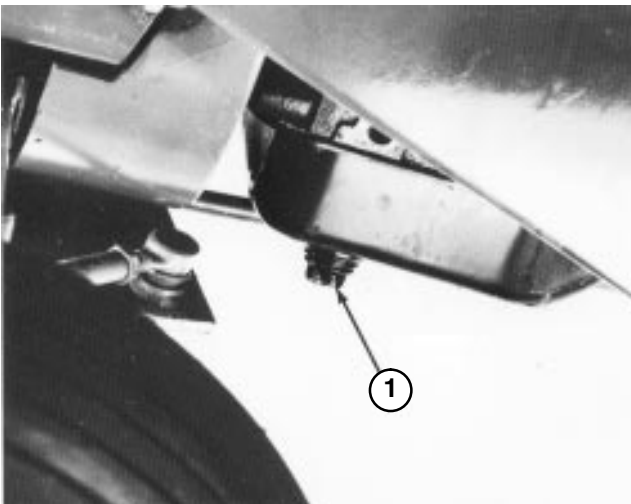


Figure 46

1. Oil drain plug

4. Remove oil drain plug and allow oil to flow into drain pan. Remove and replace oil filter (Fig. 45); refer to parts catalog for part number.

5. After oil is drained, reinstall drain plug and wipe up any oil that spilled.

6. Fill crankcase with oil; refer to Check Crankcase Oil

SERVICING FUEL SYSTEM

Note: Refer to Fill Fuel Tank With Diesel Fuel for proper fuel recommendations.

Fuel Tank

Drain and clean fuel tank every 400 hours of operation or yearly, whichever comes first. Also, drain and clean tank if fuel system becomes contaminated or if machine is to be stored for an extended period. Use clean fuel to flush out the tank.

Fuel Lines and Connections

Check lines and connections every 400 hours or yearly, whichever comes first. Inspect for deterioration, damage, or loose connections.

Fuel Filter/Water Separator

Drain water or other contaminants from fuel filter/water separator (Fig. 47) daily by loosening drain plug on filter canister. Tighten plug after draining. Replace filter canister after every 400 hours of operation.

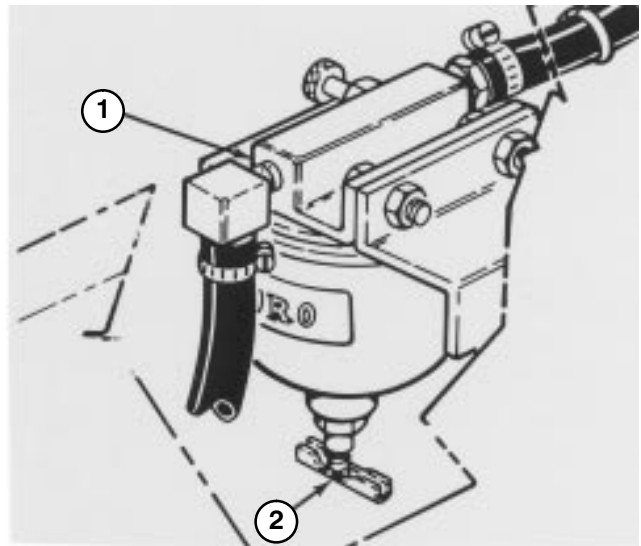


Figure 47

1. Fuel filter/water separator
2. Drain plug

1. Clean area where filter canister mounts.
2. Remove filter canister and clean mounting surface.
3. Lubricate gasket on filter canister with engine oil.
4. Install filter canister by hand until gasket contacts mounting surface, then an additional 1/2 turn.

Fuel Pump Filter

Remove and replace the filter after every 400 hours of operation.

MAINTENANCE

1. Fuel pump is located on inner frame bulkhead to left of drive coupling assembly (Fig. 48).

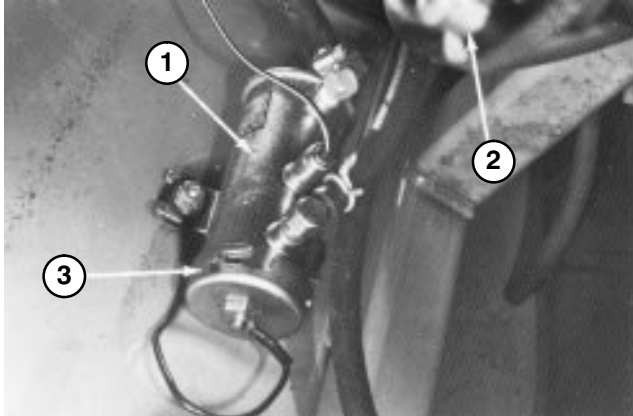


Figure 48

1. Fuel pump assembly
2. Drive coupling assembly
3. Fuel pump cover

2. Thoroughly clean outside of assembly.
3. Place a drain pan under fuel pump and remove cover from fuel pump with 17 mm wrench (Fig. 48). Take care not to damage wire while removing cover.
4. Pull filter out of pump body (Fig. 49).

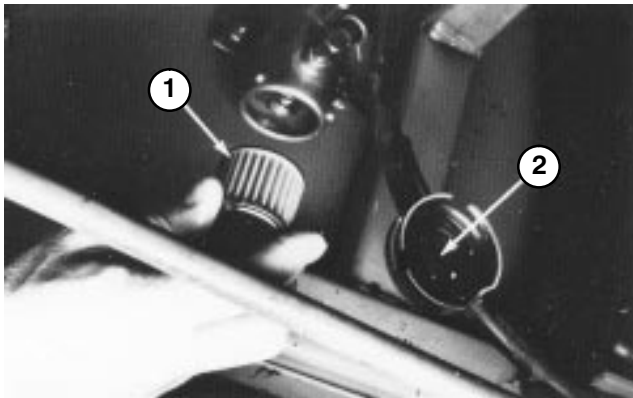


Figure 49

1. Filter
2. Magnet

5. If filter is to be cleaned, wash thoroughly in cleaning solvent and blow compressed air from inside toward outside of element. Hold air nozzle at least one inch (25 mm) from filter and move up and down while rotating filter. Do not exceed 100 psi (690 kPa) to avoid filter damage.

Note: Replace the filter if there is any visible dirt which cannot be washed out.

6. Clean magnet of any residue (Fig. 49), insert filter into body, and install cover (Fig. 48).
7. Inspect the two rubber gaskets. Replace them if damaged.

8. Bleed the fuel system; refer to Bleeding Fuel System.

BLEEDING AIR FROM INJECTORS

Note: This procedure should be used only if fuel system has been purged of air through normal priming procedures and engine still will not start; refer to Bleeding Fuel System

1. Loosen the pipe connection to the No. 1 nozzle and holder assembly.
2. Move throttle control to full FAST position.
3. Turn key in key switch to START position and watch fuel flow around connector. Turn key to OFF position when solid flow is observed.
4. Tighten pipe connector securely.
5. Repeat steps 1-4 on No. 2 and 3 nozzles.

SERVICING ENGINE BELTS

Check tension of all belts initially after the first day of operation and every 100 hours thereafter.

Alternator Belt

1. Unlatch and open hood.
2. Check tension by depressing belt midway between alternator and crankshaft pulleys. Belt should deflect 7/16 in. (11 mm). If deflection is incorrect, proceed to step 3. If correct, continue operation.
3. Loosen bolt securing brace to engine and bolt securing alternator to brace (Fig. 50).
4. Insert pry bar between alternator and engine and pry out on alternator (Fig. 50).

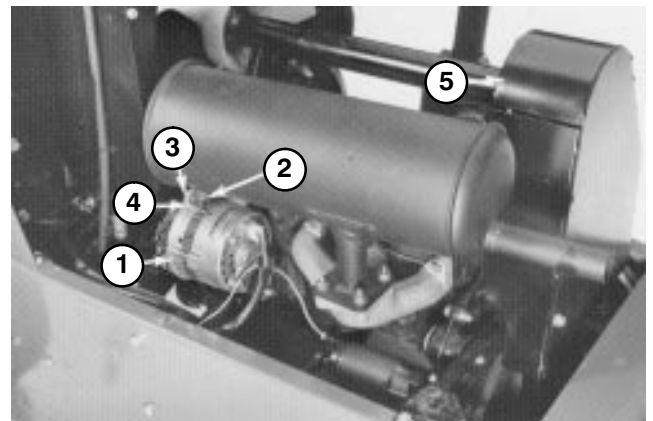


Figure 50

1. Alternator assembly
2. Engine brace bolt
3. Alternator brace bolt
4. Brace
5. Fan belt guard

5. Hold alternator in position after proper belt tension setting is achieved and tighten alternator and brace bolts to secure adjustment.

Note: Metric wrenches will be required.

MAINTENANCE

Cooling Fan Belt

1. Unlatch and open hood.
2. Remove capscrews (5) securing fan belt guard and remove guard (Fig. 50).
3. Belt should deflect 1/4 in. (6 mm) midway between the pulleys with 5 lb force (22 n) (Fig. 51). If deflection is incorrect, proceed to step 4. If correct, proceed to step 5.
4. Loosen locknut securing idler pulley (Fig. 51). Push idler pulley against belt until proper deflection is achieved and tighten idler pulley locknut (Fig. 51).
5. Install fan belt guard and secure with capscrews (Fig. 50). Close and latch hood.

To replace belt:

1. Follow procedures in step 1 and 2 above.
2. Loosen locknut securing idler pulley, slide pulley away from belt, and remove belt from top and bottom pulleys (Fig. 51).
3. Install new belt and adjust for proper tension. Push idler pulley against belt until belt deflects 1/4 inch (6 mm) with 5 lb force (22 N) midway between top and bottom pulley locknut to secure adjustments (Fig. 51).
4. Install fan belt guard and secure with capscrews (Fig. 50). Close and latch hood.

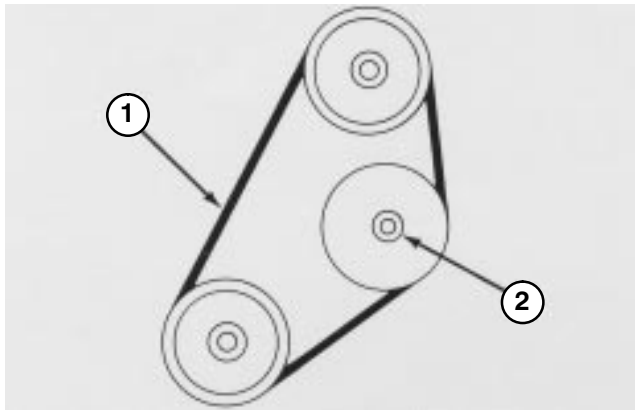


Figure 51

1. 1/4 in. (6 mm) deflection
2. Idler pulley locknut

Note: Check fan belt tension after first day's operation. Readjust tension, if necessary. Follow regular maintenance check procedure thereafter.

CHANGING COOLANT IN COOLING SYSTEM

The cooling system must be filled with a 50/50 solution of water and permanent ethylene glycol anti-freeze. Every two years, drain the coolant from the radiator and engine by opening the drain cock and block plug. After coolant is drained, flush the entire system and refill it with a 50/50 solution of water and anti-freeze.

Capacity of cooling system is approximately 6 quarts (5.7 L). When filling the radiator, level of coolant must be above the core and 1 inch (25 mm) below bottom of filler neck. **DO NOT OVERFILL.** Always install radiator cap securely.

SERVICING SPARK ARRESTOR MUFFLER

Every 250 hours operation, clear the muffler of carbon buildup.

1. Unlatch and raise hood assembly.
2. Remove pipe plug from clean-out port at lower side of muffler (Fig. 52).

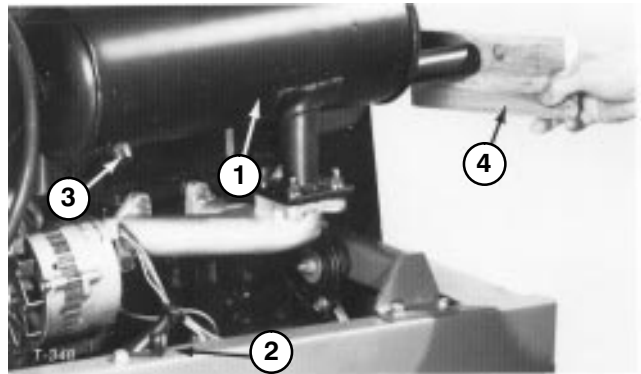


Figure 52

1. Muffler
2. Pipe plug
3. Outlet port
4. Block normal exhaust outlet



CAUTION

Be careful while working around muffler as it may be hot and could cause injury.

3. Start engine. Plug the normal muffler exit with block of wood or metal plate so exhaust flow will be forced out of the clean-out port (Fig. 52). Continue to block exit until carbon deposits cease coming out port.



CAUTION

Do not stand in line with the clean-out port. Always wear safety glasses.

4. Stop engine, replace pipe plug and lower and latch hood.

ADJUSTING TRACTION CONTROL ROD

1. Check traction drive neutral position to assure front wheels do not creep; refer to Adjusting Traction Drive for Neutral.

MAINTENANCE

2. Press down on front of traction pedal and check travel. There should be approximately 3.50" clearance between end of pedal and floor plate when pedal in fully depressed (Fig. 53). Adjust pump control rod (Fig. 54) to attain dimension.

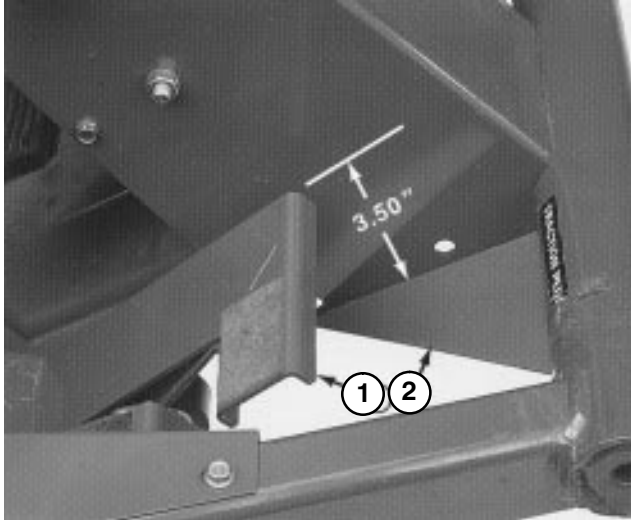


Figure 53

1. End of pedal
2. Floor plate.

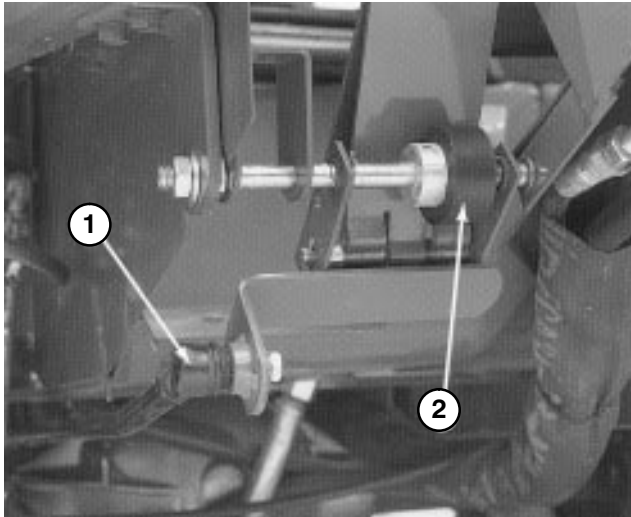


Figure 54

1. Control rod
2. Friction wheel

ADJUSTING TRACTION PEDAL FRICTION WHEEL

1. Loosen two nuts securing traction pedal shaft on right side of pedal (Fig. 54).
2. Rotate shaft to relocate worn surface of friction wheel away from underside of traction pedal.
3. Tighten nuts to secure shaft and wheel in position.

ADJUSTING TRACTION DRIVE FOR NEUTRAL

1. Park vehicle on a level surface and turn engine off. Apply the parking brake, tip seat forward, and actuate pump lever (Fig. 55) to insure assembly is properly seated and operating freely. Correct any discrepancy.

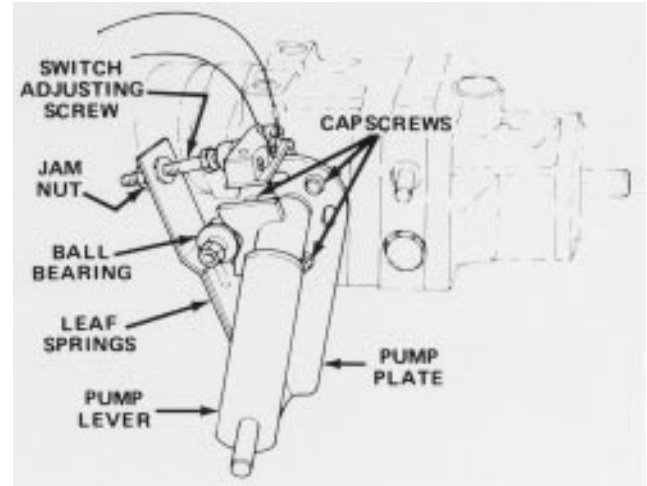


Figure 55

2. Block right front tire and both rear tires so vehicle cannot roll forward or backward.
3. Jack up frame so left front wheel is off the shop floor. Use a jack stand to support the frame.
4. Start engine and allow it to idle for 5 minutes to heat oil in transmission to operating temperature.
5. Release parking brake; then check left front wheel that is off shop floor. Wheel must not be rotating. If wheel is rotating, proceed to step 6 for an adjustment. If wheel is not rotating, proceed to step 8. Verify the adjustment with throttle in SLOW and FAST position.
6. Because the wheel is rotating, the pump plate must be adjusted. But before adjusting the pump plate, move throttle to SLOW. If wheel is rotating forward, loosen capscrews, and lightly tap bottom of pump plate counterclockwise (Fig. 55). By contrast, tap pump plate clockwise if wheel is rotating backward (Fig. 55). When wheel stops rotating, tighten capscrews holding pump plate against side of transmission. Verify the adjustment with throttle in SLOW and FAST position.
7. Should front wheel continue to rotate, check for the following:
 - A. Ball bearing is loose or worn out (Fig. 55).
 - B. Plunger on interlock switch is sticking.
 - C. Loose or missing fasteners.
 - D. Worn roll pin securing pump lever to transmission.
 - E. Pump lever loose on control shaft. (Correct by applying Loc-tite 271 or 601 to shaft.)

MAINTENANCE

F. Weak or damaged leaf springs (Fig. 55).
Replace.

G. Internal transmission component malfunction. Contact your local Toro distributor for assistance.

8. Shut engine off.
9. Adjust traction control rod; refer to Adjusting Traction Control Rod.

ADJUSTING TRACTION INTERLOCK SWITCH

1. Adjust transmission for neutral; refer to Adjusting Traction Drive for Neutral.
2. Actuate the pump lever (Fig. 55) to insure all parts are operating freely and seated properly.
3. Loosen jam nut. Rotate switch adjusting screw (Fig. 55) until there is a gap between head of screw and switch button.
4. Rotate adjusting screw until it contacts the switch button. Continue to rotate the screw until the circuit is completed (switch “clicks”). After the switch clicks, rotate the adjusting screw an additional 1/2 turn. Tighten jam nut.

CORRECTING PTO DRIVE BELT SLIPPAGE

If belt begins to slip because it has stretched or because of worn linkage:

1. Unlatch and remove instrument cover.
2. Move PTO control lever to ON position.
3. Measure length of PTO spring between flat-washers (Fig. 56). There should be a spring length of 3-3/16 inches (81 mm).
4. To adjust, hold head of adjusting screw with wrench (under PTO actuating arm) and turn locknut (Fig. 56).
5. Move PTO lever to OFF position and install instrument cover.

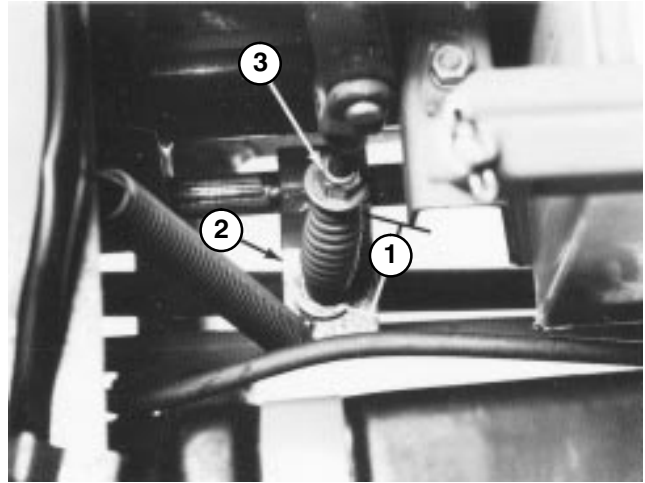


Figure 56

1. 3-3/16 in. (81 mm)
2. PTO actuating arm
3. Locknut

ADJUSTING TILT STEERING CONTROL

If steering wheel tilt control lever must be adjusted, proceed as follows:

1. Remove knob from parking brake and self tapping screws from steering column cover. Slide cover up steering shaft to expose pivot bracket (Fig. 57).

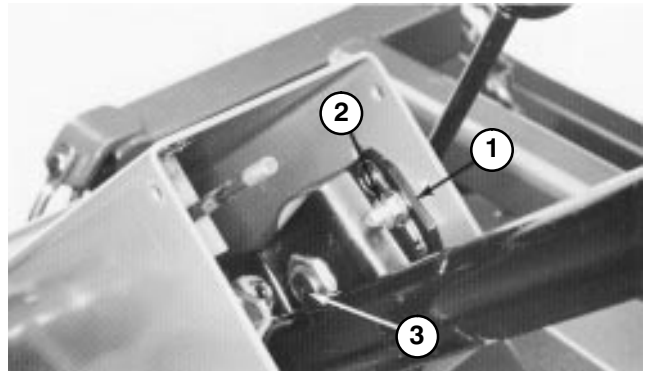


Figure 57

1. Pivot Plate
2. Small Nut
3. Large Nut

2. Loosen small nut, rotate pivot bracket until it tightens large nut below (Fig. 57). Retighten small nut.
3. Reinstall steering column cover and parking brake knob.

ADJUSTING REAR WHEEL TOE-IN

The rear wheels should not toe-in or toe-out when they are adjusted correctly. To check the rear wheel toe-in, measure the center-to-center distance at wheel hub height, in front and in back of the rear tires. If the wheels toe-in or toe-out, an adjustment is required.

1. Rotate the steering wheel so rear wheels are straight ahead.
2. Remove cotter pin and nut securing one tie rod ball joint to mounting bracket on axle and disconnect ball joint from axle (Fig. 58).

MAINTENANCE

3. Loosen screw on tie rod clamp (Fig. 58). Rotate ball joint in or out to adjust length of tie rod.
4. Reinstall ball joint to mounting bracket and check wheel toe-in.
5. After attaining desired adjustment, tighten screw on tie rod clamp and resecure ball joint to mounting bracket.

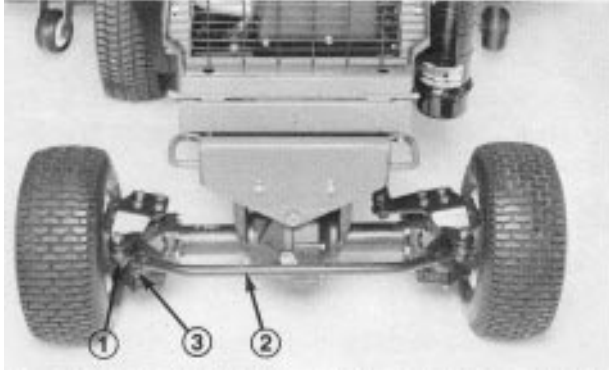


Figure 58

1. Ball Joint
2. Tie Rod
3. Tie Rod Clamp

ADJUSTING STEERING STOPS

The rear axle steering stops help prevent over travel of the steering cylinder in case of impact on rear wheels. The stops should be adjusted so there is .090" clearance between bolt head and knuckle on axle when steering wheel is completely turned left or right.

1. Thread bolt in or out until .090" clearance is attained (Fig. 59).

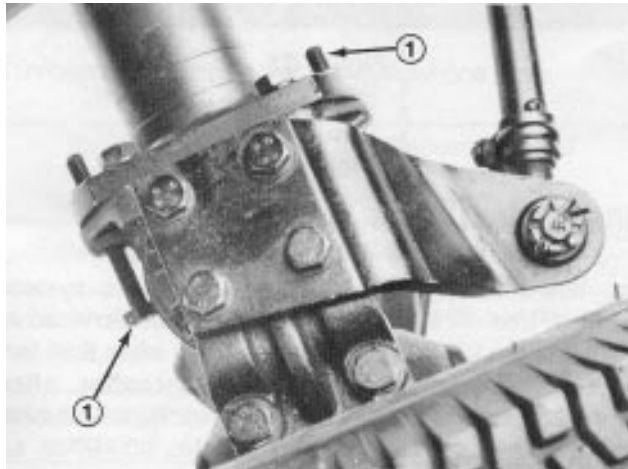


Figure 59

1. Steering Stops

ADJUSTING BRAKES

Adjust the service brakes when there is more than one inch (25 mm) of "free travel" of the turn pedals, or when

the brakes do not work effectively. Free travel is the distance the brake pedal moves before braking resistance is felt.

The brakes should only need adjusting after considerable use. These periodic adjustments can be performed where the brake cables connect to the brake pedal mount. When the cables are no longer adjustable, the star nut on the inside of the brake drum must be adjusted to move the brake shoes outward. However, the brake cables must be adjusted again to compensate for this adjustment.

1. To reduce free travel of turn pedals—tighten the brakes—loosen front nut on threaded end of brake cable (Fig. 60). Then tighten rear nut to move cable backward until turn pedals have 1/2 to 1 inch (13 to 25 mm) of free travel. Tighten front nut after brakes are adjusted correctly.

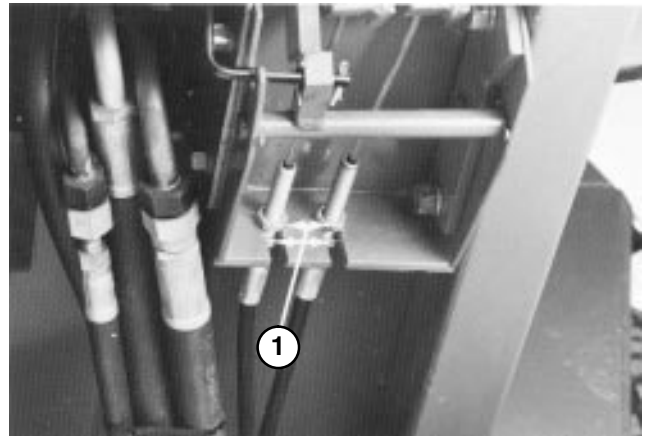


Figure 60

1. Jam nut

2. When adjustment of brake cable cannot get free travel within 1/2 to 1 inch (13 to 25 mm), the star nut inside the brake drum must be adjusted. However, before adjusting the star nut, loosen brake cable nuts to prevent unnecessary strain on the cables.

3. Loosen five wheel nuts holding wheel and tire assembly on wheel studs.

4. Jack up machine until front wheel is off the shop floor. Use jack stands or block the machine to prevent it from falling accidentally.

5. Remove wheel nuts and slide wheel and tire assembly off studs. Rotate brake drum until adjusting slot is at bottom and centered over star nut that adjusts brake shoes (Fig. 61).

MAINTENANCE

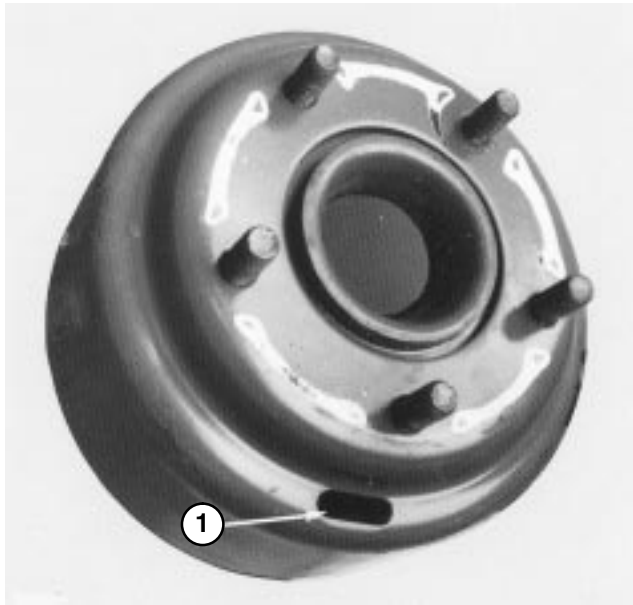


Figure 61
1. Slot

6. Using a brake adjusting tool or screwdriver, rotate star nut (Fig. 61) down until brake drum (Fig. 62) locks because of outward pressure of brake shoes (Fig. 62).

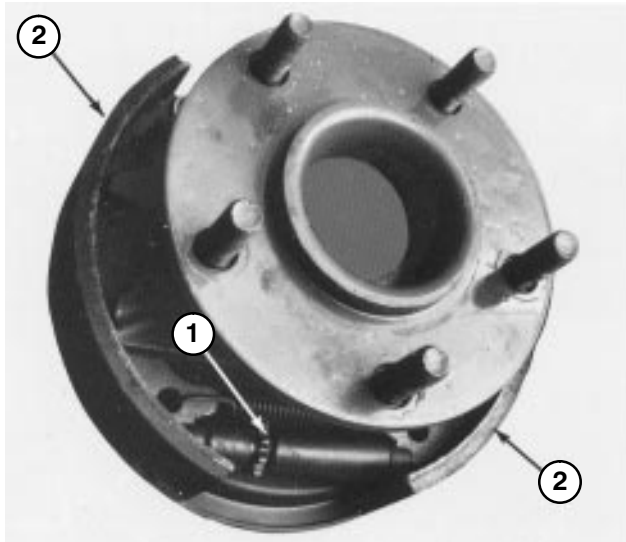


Figure 62
1. Star nut
2. Brake shoes

7. Loosen star nut about 12 to 15 notches or until brake drum rotates freely.
8. Install wheel and tire assembly on studs with five wheel nuts. Tighten nuts to 45-55 ft-lb (61-75 N·m).
9. Remove jack stands or blocking and lower machine to the shop floor.
10. Adjust the brake cables using step 1.

ADJUSTING LIFT LEVER LATCH

A lift lever latch that is positioned incorrectly can cause the lift lever to hold the spool in an actuated position

when the implement is in the FLOAT position. This causes oil in the hydraulic system to overheat. When lift lever latch is adjusted correctly, the lift lever should just clear the rounded part of the latch as lever is moved into FLOAT position.

1. Unscrew ball from lift lever.
2. Remove self tapping screws and lift cover off lift lever to expose the latch.
3. Loosen two capscrews on top of the lift lever latch (Fig. 63). Place lever on rounded tip of latch (Fig. 63), and slide latch w/lever forward until stopping resistance is felt. Then tighten capscrews to lock the latch in place. Check for free operation of the lift lever by moving lever from RAISE or TRANSPORT to FLOAT position. Lift lever should just clear rounded position of latch as lever is moved into FLOAT position.
4. Slide cover into place and install it with self tapping screws. Screw ball onto lift lever.

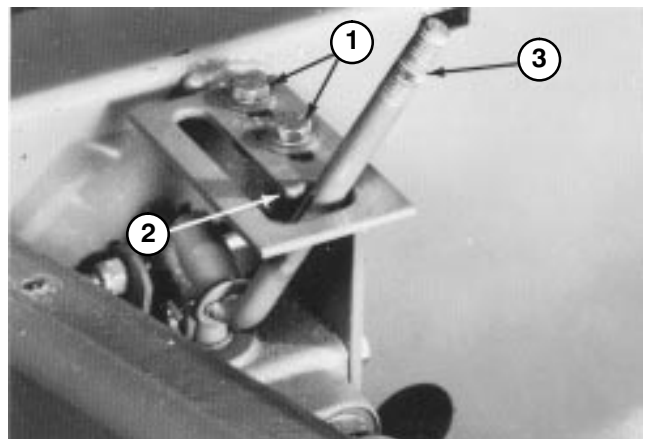


Figure 63
1. Capscrews
2. Rounded tab
3. Lift lever

REPLACING HYDRAULIC OIL FILTER

The hydraulic oil filter keeps the hydraulic system relatively free of contaminants and must be serviced at regular intervals. **Initially, change filter after first ten hours of engine operation, and thereafter, after every 200 hours of operation or yearly, whichever comes first.** Use TORO oil filter, Part No. 23-9740, as a replacement.

1. Clean area where hydraulic oil filter mounts. Remove filter from base (Fig. 64) and clean filter mounting surface.
2. Lubricate filter gasket with proper viscosity and type oil. Then fill filter using the same oil.
3. Install filter by hand until gasket contacts mounting head. Then rotate an additional 1/2 turn.

MAINTENANCE

4. Start engine and check for hydraulic oil leaks. Allow engine to run for about two minutes so any air in the system is purged (removed).

5. Shut engine off and check level of hydraulic system; refer to Check Hydraulic System Oil.



Figure 64
1. Hydraulic oil filter

CHANGING HYDRAULIC SYSTEM OIL

The hydraulic system oil must be changed after every 1000 hours of operation or seasonally, whichever comes first. The hydraulic system is designed to operate on any high quality detergent oil having the American Petroleum Institute—APO—“service classification” SF/CC or CD. Oil viscosity—weight—must be selected according to anticipated ambient temperature for the season in which product will be used.

Temperature/viscosity recommendations are:

Expected Ambient Temperature	Recommended Viscosity and Type
(Extreme) over 90° F	SAE 30, Type SF/CC or CD engine oil.
(Normal) 40°-100° F	SAE 10W-30 or 10W-40, Type SF/CC or CD engine oil.
(Cool—Spring/Fall) 30°-50° F	SAE 5W-30, Type SF/CC or CD engine oil.
(Winter) Below 30° F	Type “F” or “FA” ATF Automatic Transmission Fluid.

Note: Do not mix engine oil and automatic transmission fluid or hydraulic system component damage may result. When changing fluids, also change transmission filter. **DO NOT USE DEXRON II ATF.**

Note: Fluid to operate the power steering is supplied by the hydraulic system transmission charge pump. Cold weather start—up may result in “stiff” operation of the steering until the hydraulic system has warmed up. Using proper weight hydraulic oil in system minimizes this condition.

The axle housing acts as the reservoir for the system. The transmission and axle housing are shipped from the factory with approximately 5 quarts (4.7 L) of SAE 10W-30 engine oil. However, check level of transmission oil before engine is first started and daily thereafter.

1. Start engine, park machine on a level surface, lower implement to the shop floor, set the parking brake, and shut engine off. Block the two rear wheels.

2. Jack up both sides of front axle and support it with jack stands.

3. Clean area around hydraulic oil filter and remove filter.

4. Remove drain plug from fitting between axle housing and oil filter and allow oil to flow into drain pan (Fig. 65).

5. Install new filter; refer to steps 1-2 in Replacing Hydraulic Oil Filter, for proper procedures.

6. Install drain plug in fitting between axle housing and oil filter (Fig. 65).

7. Remove dipstick from axle filler tube (Fig. 66) and fill axle to proper level with correct type and viscosity oil recommended for expected ambient temperature conditions; refer to table above.

8. Start and run the engine at idle speed for about two minutes and turn the steering wheel lock to lock to purge air trapped in the system. Shut the engine off.

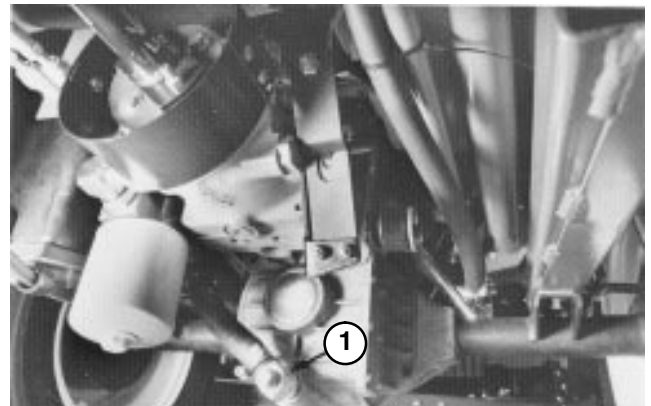


Figure 65
1. Drain plug

9. Leave machine set for two additional minutes, then remove dipstick and check oil level in axle (Fig. 66). If level is low, add oil until level matches groove in dipstick (Fig. 66). If level is too high, remove drain plug (Fig. 65) and drain oil until oil level matches groove in dipstick.

MAINTENANCE

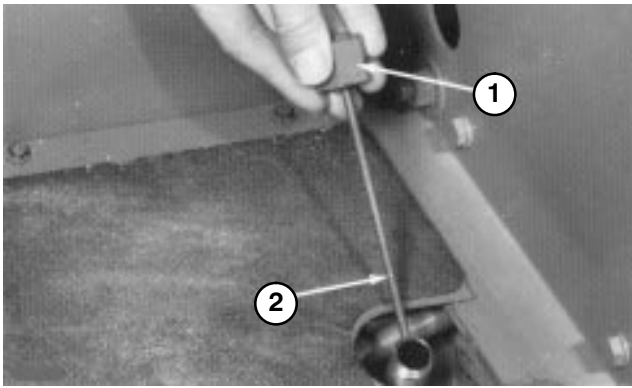


Figure 66
1. Dipstick
2. Groove

CHANGING REAR AXLE LUBRICANT

After every 400 hours of operation, the oil in the rear axle must be changed.

1. Position machine on a level surface.
2. Clean area around the (3) drain plugs, (1) on each end and (1) in the center (Fig. 67).
3. Remove plugs allowing oil to drain into drain pans.
4. **After oil is drained, apply thread locking compound on drain plug threads and reinstall in axle.**
5. Fill axle with lubricant; refer to Check Rear Axle.

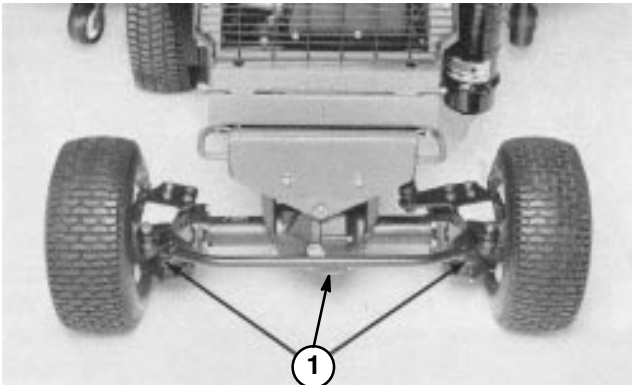


Figure 67
1. Drain plugs

6. To make sure that the cavities at each end of axle tube are filled, jack up each side of the axle approximately 6". Then with axle level, check level at center plug hole.

CHANGING BIDIRECTIONAL CLUTCH LUBRICANT

After every 400 hours of operation, the oil in the bidirectional clutch must be changed.

1. Position the machine on a level surface.
2. Clean area around check plug on bidirectional clutch.
3. Rotate clutch so check plug is positioned downward (Fig. 68).

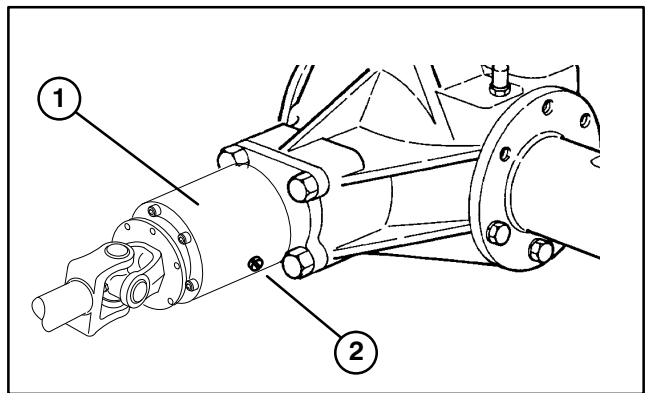
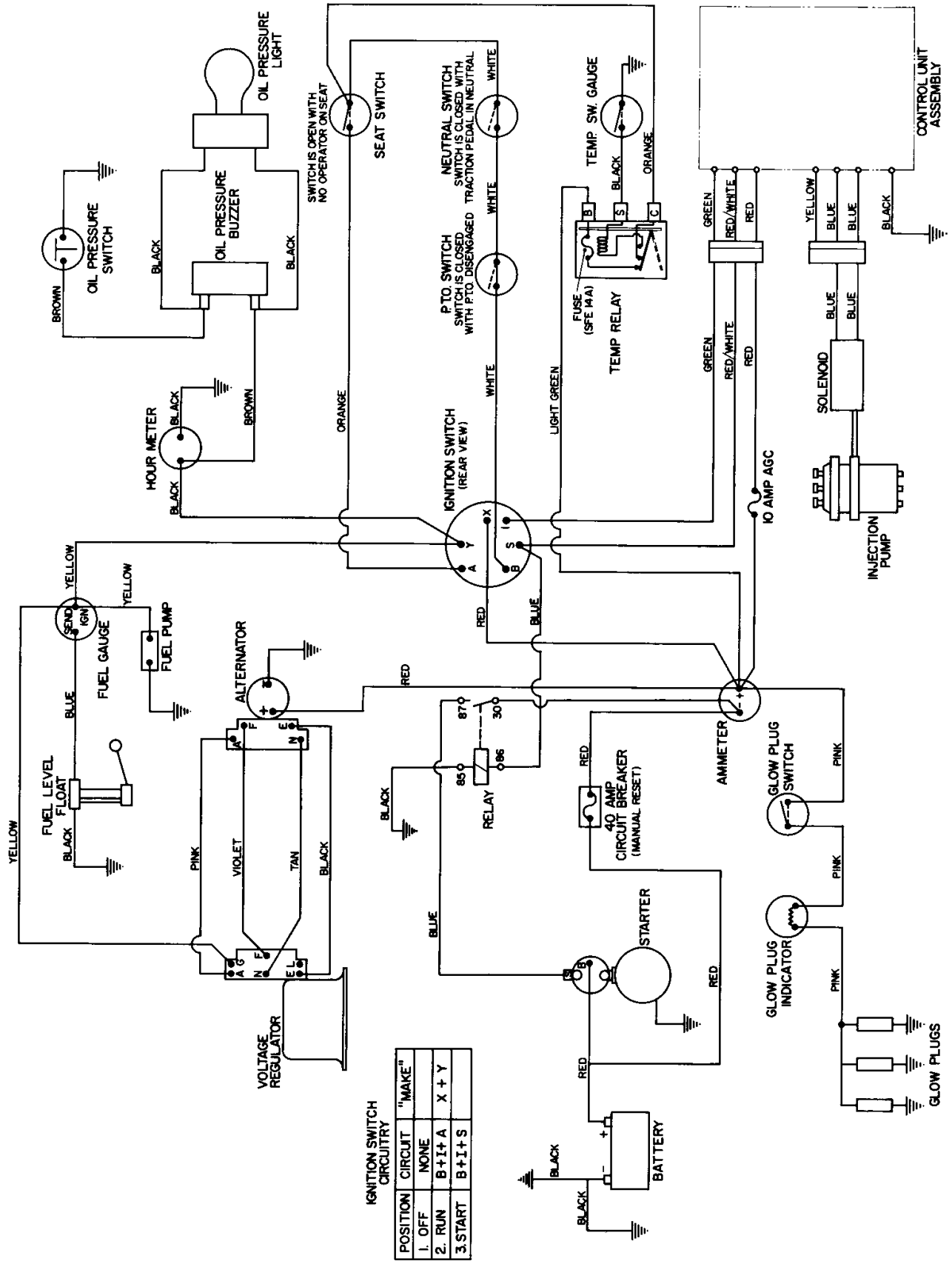


Figure 68
1. Bidirectional Clutch
2. Check Plug

4. Remove check plug allowing all lubricant to flow into drain pan.
5. Rotate clutch so check plug is positioned at 4 O'clock.
6. Add Mobil Fluid 424 until lubricant level is up to hole in clutch. Clutch should be approximately 1/3 full.
7. Install check plug.

Note: Do not use engine oil (i.e. 10W30) in bidirectional clutch. Anti-wear and extreme pressure additives will cause undesirable clutch performance.

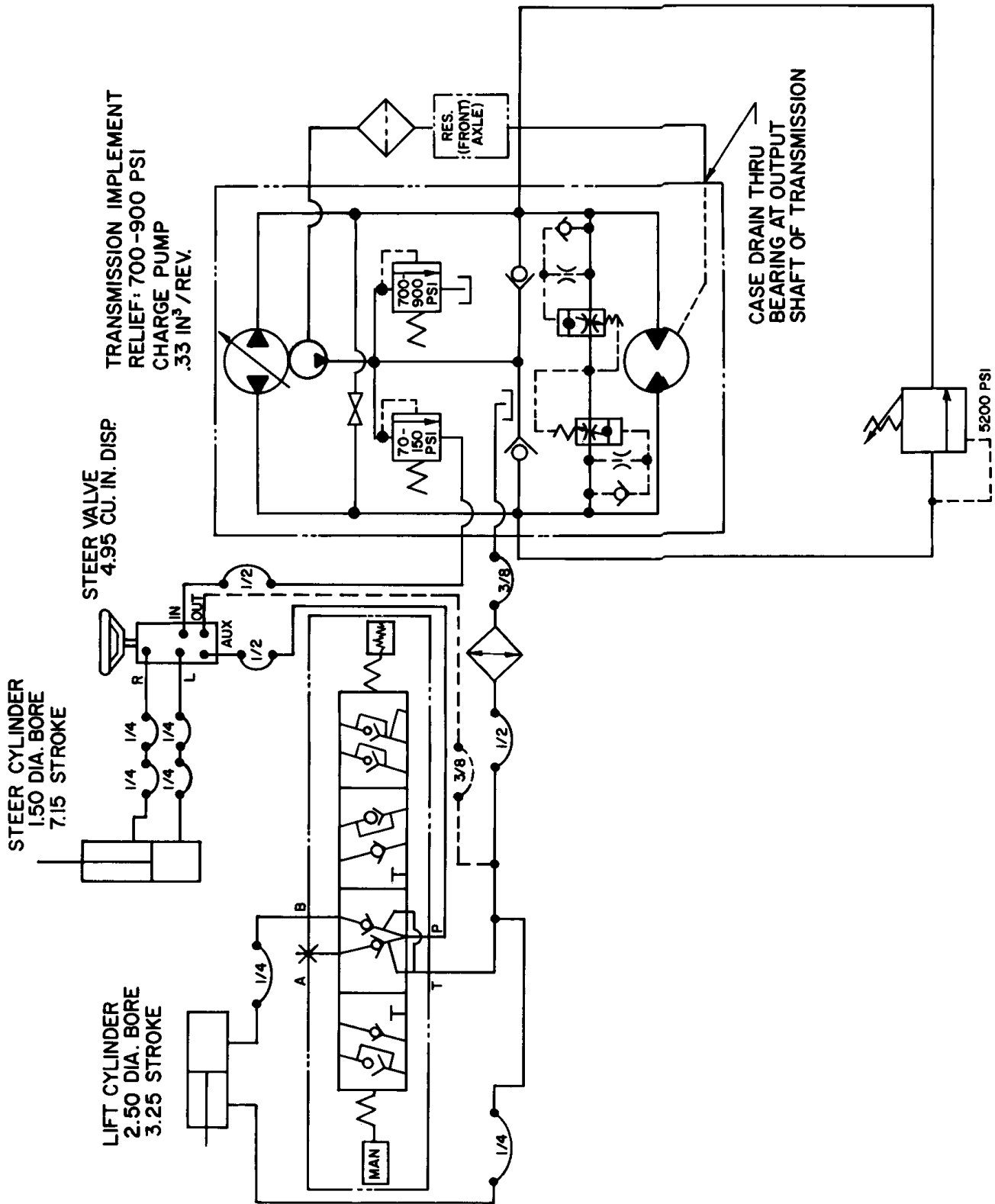
ELECTRICAL SCHEMATIC



IGNITION SWITCH CIRCUITRY

POSITION	CIRCUIT	"MAKE"
1. OFF	NONE	
2. RUN	B + I + A	X + Y
3. START	B + I + S	

HYDRAULIC SCHEMATIC



MAINTENANCE SCHEDULE

Minimum Recommended Maintenance Intervals

Maintenance Procedure	Maintenance Interval & Service			
Check Battery Fluid Level Check Battery Cable Connections Lubricate All Grease Fittings Lubricate Brake Cables Check Cutting Unit Gear Box Oil Level Clean Under Cutting Unit Belt Covers Check Cutting Unit Drive Belt Adjustment Inspect Air Filter, Dust Cup, and Baffle	Every 50hrs	Every 100hrs	Every 200hrs	Every 400hrs
‡ Change Engine Oil and Filter Check Electric Clutch Gap Adjustment † Check PTO Belt Tension † Check Fan and Alternator Belt Tension Inspect Cooling System Hoses Service Air Filter Check Rear Wheel Toe-In and Steering Linkage † Change Transmission Filter † Torque Wheel Lug Nuts Drain and Clean Fuel Tank Replace Cutting Unit Gear Box Oil Change Electric Fuel Pump Filter Change Fuel/Water Separator Filter Pack Rear Wheel Bearings Coat Transmission Bypass Pins with Grease ‡ Torque Head, Adjust Valves and Check Engine RPM				
† Initial break in at 10 hours ‡ Initial break in at 50 hours				
Replace Moving Hoses Replace Safety Switches Coolant System – Flush/Replace Fluid Replace Hydraulic Oil	Annual Recommendations: Items listed are recommended every 1000 hours or 2 years, whichever occurs first.			

IDENTIFICATION AND ORDERING

MODEL AND SERIAL NUMBERS

The Groundsmaster® 325-D 4 Wheel Drive has two identification numbers: a model number and a serial number. These numbers are stamped into a plate located on front bulkhead left of seat (Fig. 69).

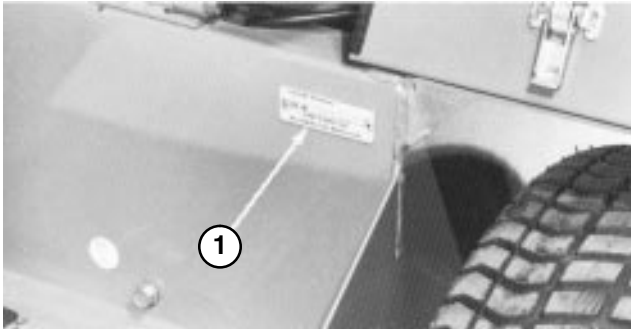


Figure 69

1. Traction unit model and serial number

In any correspondence concerning the unit, supply the model and serial numbers to ensure correct information and replacement parts are obtained.

To order replacement parts from an authorized TORO Distributor, supply the following information:

1. Model and serial numbers.
2. Part number, description, and quantity of parts desired.

Note: Do not order by reference number if a parts catalog is being used; use the part number.

PREPARATION FOR SEASONAL STORAGE

Traction Unit

1. Thoroughly clean the traction unit, cutting unit and the engine, paying special attention to these areas:

- radiator screen
- underneath the cutting unit
- under the cutting unit belt covers
- counterbalance springs
- P.T.O Shaft Assembly
- all grease fittings and pivot points

2. Check the tire pressure. Inflate all traction unit tires to 21 psi (145 kPa) for 4-ply tires and 13 psi (90 kPa) for 6-ply tires.

3. Remove, sharpen, and balance the cutting unit's blades. Reinstall the blades and torque the blade fasteners to specifications.

4. Check all fasteners for looseness; tighten as necessary.

5. Grease or oil all grease fittings and pivot points. Wipe up any excess lubricant.

6. Ensure that the P.T.O. belt remains in the disengaged position so that the P.T.O. belt does not take a "set."

7. Lightly sand and use touch-up paint on painted areas that are scratched, chipped, or rusted. Repair any dents in the metal body.

8. Service the battery and cables as follows:

- a. Remove the battery terminals from the battery posts.

b. Clean the battery, terminals, and posts with a wire brush and baking soda solution.

c. Coat the cable terminals and battery posts with Grafo 112X skin-over grease (Toro Part No. 505-47) or petroleum jelly to prevent corrosion.

d. Slowly recharge the battery every 60 days for 24 hours to prevent lead sulfation of the battery.

Engine

1. Drain the engine oil from the oil pan and replace the drain plug.

2. Remove and discard the oil filter. Install a new oil filter.

3. Refill oil pan with 3.7 quarts (3.5 L) of SAE 10W-30 motor oil. Use API classification SF/CC or CD oil.

4. Start the engine and run at idle speed for approximately two minutes.

5. Stop the engine.

6. Thoroughly drain all fuel from the fuel tank, lines, fuel pump filter, and the fuel filter/water separator assembly.

7. Flush the fuel tank with fresh, clean diesel fuel.

8. Resecure all fuel system fittings.

9. Thoroughly clean and service the air cleaner assembly.

10. Seal the air cleaner inlet and the exhaust outlet with weatherproof tape.

11. Check anti-freeze protection and add as needed for expected minimum temperature in your area.

NOTES

NOTES

NOTES

California Emission Control Warranty Statement

A Two Year Limited Warranty

Your Warranty Rights and Obligations

The California Air Resources Board and Toro are pleased to explain the emission control system warranty on your 1995 and later utility, lawn and garden equipment engine. In California, new utility, lawn and garden equipment engines must be designed, built and equipped to meet the State's stringent anti-smog standards. Toro must warrant the emission control system on your utility, lawn and garden equipment engine for the period of time listed below provided there has been no abuse, neglect or improper maintenance of your utility, lawn and garden equipment engine.

Where a warrantable condition exists, Toro will repair your engine at no cost to you including diagnosis, parts and labor.

Manufacturer's Emission Control Warranty Coverage:

The 1995 and later utility, lawn and garden equipment engines sold in California are warranted for two years from the date of delivery. If any emission-related part on your engine is defective in materials or workmanship, the part will be repaired or replaced by Toro.

Owner's Warranty Responsibilities:

- As the utility, lawn and garden equipment engine owner, you are responsible for the performance of the required maintenance listed in your owner's manual. Toro recommends that you retain all receipts covering maintenance on your utility, lawn and garden equipment, but Toro cannot deny warranty solely for the lack of receipts or for your failure to ensure the performance of all scheduled maintenance.
- As the utility, lawn and garden equipment engine owner, you should, however, be aware that Toro may deny you warranty coverage if your utility, lawn and garden equipment engine or a part has failed due to abuse, neglect, improper maintenance or unapproved modifications or parts.
- You are responsible for presenting your utility, lawn and garden equipment engine to a Mitsubishi Authorized TORO Distributor or Commercial Service Dealer as soon as a problem exists. The warranty repairs should be completed in a reasonable amount of time, not to exceed 30 days.
- If you have any questions regarding your warranty rights and responsibilities or if you need a referral to a TORO Distributor or Commercial Service Dealer, please feel free to contact us at the following address:

Toro Commercial Products Service Department
8111 Lyndale Avenue South
Bloomington, MN 55420-1196
612-888-8801
800-642-4961

Warranted Parts:

The warranty period begins on the date the utility, lawn and garden equipment engine or equipment is delivered to a retail purchaser. The manufacturer warrants to the initial owner and each subsequent purchaser that the utility, lawn and garden equipment engine is free from defects in materials and workmanship which cause the failure of a warranted part for a period of two years. Failures caused by abuse, neglect, or improper maintenance are not covered. The use of add-on or modified parts can be grounds for disallowing a warranty claim. The manufacturer is not liable to cover failures of warranted parts caused by the use of add-on or modified parts. The owner is responsible for the performance of the required maintenance, as defined by the manufacturer in the written instructions.

Any warranted part which is not scheduled for replacement as required maintenance, or which is scheduled only for regular inspection to the effect of “repair or replace as necessary” shall be warranted for the warranty period. Any warranted part which is scheduled for replacement as required maintenance shall be warranted for the period of time up to the first scheduled replacement point for that part. Replacement parts that are equivalent in performance and durability may be used in non-warranty maintenance or repairs, and shall not reduce the warranty obligations of the manufacturer.

Coverage under this warranty extends only to the parts listed below (the emissions system parts) to the extent that these parts were present on the engine when purchased.

- Fuel Metering System
 - Carburetor and internal parts (Or fuel injection system)
 - Air/fuel ratio feedback and control system
 - Cold start enrichment system
- Air Induction System
 - Controlled hot air intake system
 - Intake manifold
- Ignition System
 - Spark plugs
 - Magneto or electronic ignition system
 - Spark advance/retard system
- Exhaust Gas Recirculation (EGR) System
 - EGR valve body and carburetor spacer if applicable
 - EGR rate feedback and control system
- Air Injection System
 - Air pump or pulse valve
 - Valves affecting distribution of flow
 - Distribution manifold
- Catalyst or Thermal Reactor System
 - Catalytic converter
 - Thermal reactor
 - Exhaust manifold
- Particulate Controls
 - Traps filters, precipitators and any other device used to capture particulate emissions
- Miscellaneous Items Used in the Above Systems
 - Vacuum, temperature, and time sensitive valves and switches
 - Electronic controls
 - Hoses, belts, connectors, and assemblies

How to Get Warranty Service:

Should you feel your TORO Product requires warranty service, contact the dealer who sold you the product or any Mitsubishi Authorized TORO Distributor or Commercial Service Dealer. The Yellow Pages of your telephone directory is a good reference source. The dealer will either arrange service at his/her dealership or recommend another Authorized Service Dealer who may be more convenient. You may need proof of purchase (copy of registration card, sales receipt, etc.) for warranty validation. The owner shall not be charged for diagnostic labor which leads to the determination that a warranted part is defective, if the diagnostic work is performed at a warranty station.

The Toro Company is not liable for indirect, incidental or consequential damages in connection with the use of the TORO Products covered by this warranty, except for damages to other engine components caused by the failure of a warranted part still under warranty. Some states do not allow exclusions of incidental or consequential damages, so the above exclusion may not apply to you.

This warranty gives you specific legal rights, and you may also have other rights which vary from state to state.

The Toro Commercial Products Two Year Limited Warranty

The Toro Company warrants your 1996 or newer Toro Commercial Product ("Product") purchased after January 1, 1997, to be free from defects in materials or workmanship for the period of time listed below. Where a warrantable condition exists, Toro will repair the Product at no cost to you including diagnosis, labor, parts, and transportation. This warranty begins on the date the Product is delivered to the original retail purchaser.

Warranty Duration: Two years or 1500 operational hours*, whichever occurs first.

***Product equipped with hour meter**

Owner Responsibilities:

As the Product owner, you are responsible for required maintenance and adjustments stated in your Owner's Manual. Failure to perform required maintenance and adjustments can be grounds for disallowing a warranty claim.

Instructions for Obtaining Warranty Service:

You are responsible for notifying the Commercial Products Distributor or Authorized Commercial Products Dealer from whom you purchased the Product as soon as you believe a warrantable condition exists.

If you need help locating a Commercial Products Distributor or Authorized Dealer, or if you have questions regarding your warranty rights or responsibilities, you may contact us at:

Toro Commercial Products Service Department
8111 Lyndale Avenue South
Minneapolis, MN, 55420-1196
Telephone: (612) 888-8801
Facsimile: (612) 887-8258
E-Mail: Commercial.Service@Toro.Com

Maintenance Parts:

Parts scheduled for replacement as required maintenance ("Maintenance Parts"), are warranted for the period of time up to the scheduled replacement time for that part.

Items/Conditions Not Covered:

Not all product failures or malfunctions that occur during the warranty period are defects in materials or workmanship. The items / conditions listed below are not covered by this warranty:

- Product failures which result from the use of non-Toro replacement parts, or from installation and use of add-on, modified, or unapproved accessories are not covered.
- Product failures which result from failure to perform required maintenance and/or adjustments are not covered.
- Product failures which result from operating the Product in an abusive, negligent or reckless manner are not covered.

- This warranty does not apply to parts subject to consumption through use unless found to be defective. Examples of parts which are consumed, or used up, during normal Product operation include, but are not limited to, blades, reels, bedknives, tines, spark plugs, castor wheels, tires, filters, belts, etc.
- This warranty does not apply to failures caused by outside influence. Items considered to be outside influence include, but are not limited to, weather, storage practices, contamination, use of unapproved coolants, lubricants, additives, or chemicals, etc.
- This warranty does not apply to normal "wear and tear" items. Normal "Wear and Tear" includes, but is not limited to, damage to seats due to wear or abrasion, worn painted surfaces, scratched decals or windows, etc.

Other Legal Disclaimers:

The above remedy of product defects through repair by an authorized distributor or dealer is the purchaser's sole remedy for any defect. This warranty gives you specific legal rights, and you may also have other rights which vary from state to state.

Except for the Emissions warranty referenced below, if applicable, there is no other express warranty. All implied warranties of merchantability and fitness for use are limited to the duration of the express warranty.

Some states do not allow limitations on how long an implied warranty lasts, so the above limitation may not apply to you.

The Toro Company is not liable for indirect, incidental or consequential damages in connection with the use of the Product, including any cost or expense of providing substitute Product or service during periods of malfunction or non-use.

Some states do not allow the exclusion of incidental or consequential damages, so the above exclusion may not apply to you.

Note to California residents: The Emissions Control System on your Product may be covered by a separate warranty meeting requirements established by the U.S. Environmental Protection Agency (EPA), or the California Air Resources Board (CARB). The hour limitations set forth above do not apply to the Emissions Control System Warranty. Refer to the California Emission Control Warranty Statement printed in your Owner's Manual or contained in the engine manufacturer's documentation for details.