



Count on it.

Parts Catalog

HoverPro® 400 Mower

Model No. 02600—Serial No. 312000001 and Up



Ordering Replacement Parts

To order replacement parts, please supply the part number, the quantity, and the description of each part desired.

Understanding Reference Numbers

Each identified part in an illustration has a reference number. The reference number for a part also appears in the parts list, along with other information about the part.

This catalog uses two special reference number formats, one to indicate parts in a service assembly and another to indicate the quantity of a given part in an illustration.

Service Assembly Reference Numbers

Parts in service assemblies have reference numbers in the form a:b. The a represents the reference number of the entire service assembly and the b represents a sequential number unique to each part within the service assembly.

For example, a wheel assembly might be identified by reference number 6, the tire by 6:1, the valve by 6:2, and the wheel by 6:3. When you order the assembly identified by reference number 6, you receive all parts identified by reference numbers 6:1, 6:2, and 6:3. However, you may also order any part individually. Reference numbers of this type appear in illustration and in parts lists.

Reference Numbers Indicating Quantity

In an illustration, if a reference number indicates more than one part, the reference number has the form nX y. The n represents the quantity of the part, the X is the multiplication symbol, and the y represents the reference number.

For example, in an illustration, the reference number 2X 37 means that two of the parts identified by reference number 37 are indicated.

List of Abbreviations

AR: as required

ASM: assembly

BBC: blade brake control

BHTF: button head thread forming

CARR: carriage

CCW: counter clockwise

CW: clockwise

DEG: degrees

DPA: Dual Point Adjustment

ECM: electronic control module

EXT: external

FH: flat head

GA: gauge

HD: heavy-duty

HF: hex flange

HH: hex head

HHF: hex head flange

HHFTF: hex head flange thread forming

HJ: hex jam

HLH: hex lag head

HOC: height-of-cut

HP: high pressure

HSBH: hex socket button head

HSFH: hex socket flat head

HSH: hex socket head

HWH: hex washer head

HWHTF: hex washer head thread forming

HYD: hydraulic

LH: left hand

LP: low pressure

LPG: Liquefied Petroleum Gas

NI: nylon insert

NPTF: national pipe thread fine

PFH: phillips flat head

PPH: phillips pan head

PPHTF: phillips pan head thread forming

PRH: phillips round head

PTH: phillips truss head

PTO: power-take-off

RH: right hand

ROPS: roll-over protection system

RRB: rear roller brush

SFH: slotted fillister head

SHH: slotted hex head

SHWH: slotted hex washer head

SPH: slotted pan head

SQH: square head

SRH: slotted round head

STD: standard

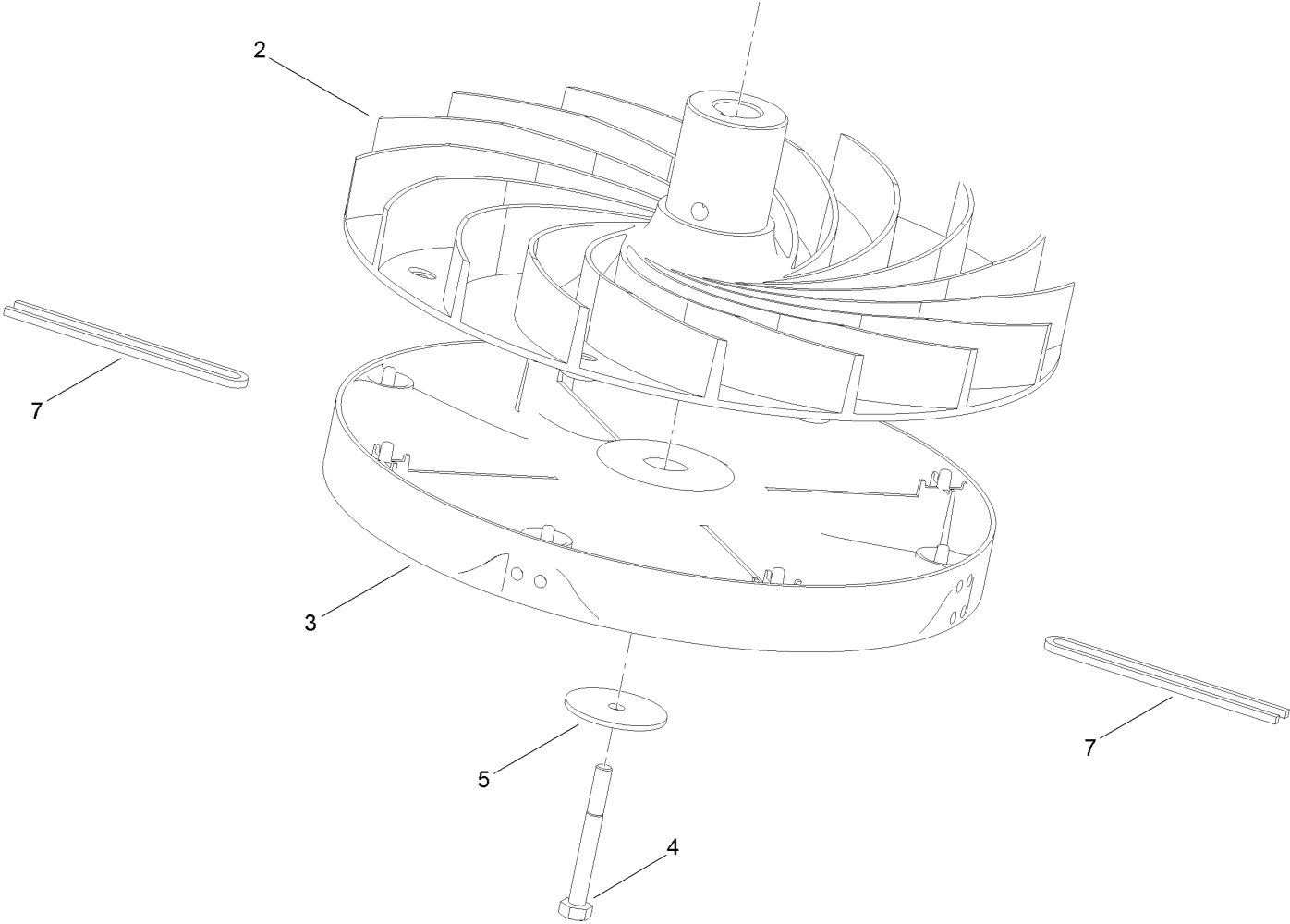
TAP: self tapping

TTH: torx truss head

Contents

Cutting Assembly	4
Engine and Deck Assembly	6
Handle Assembly	8
Decal Assembly	10
Cylinder Barrel Assembly	12
Oil Case Assembly	14
Crankcase Cover Assembly	16
Crankshaft Assembly	18
Piston and Connecting Rod Assembly	20
Camshaft Assembly	22
Recoil Starter Assembly	24
Fan Cover Assembly	26
Carburetor Assembly	28
Air Cleaner Assembly	30
Muffler Assembly	32
Fuel Tank Assembly	34
Flywheel and Ignition Coil Assembly	36
Control Assembly	38
Label Assembly	40
Attachments and Accessories	42

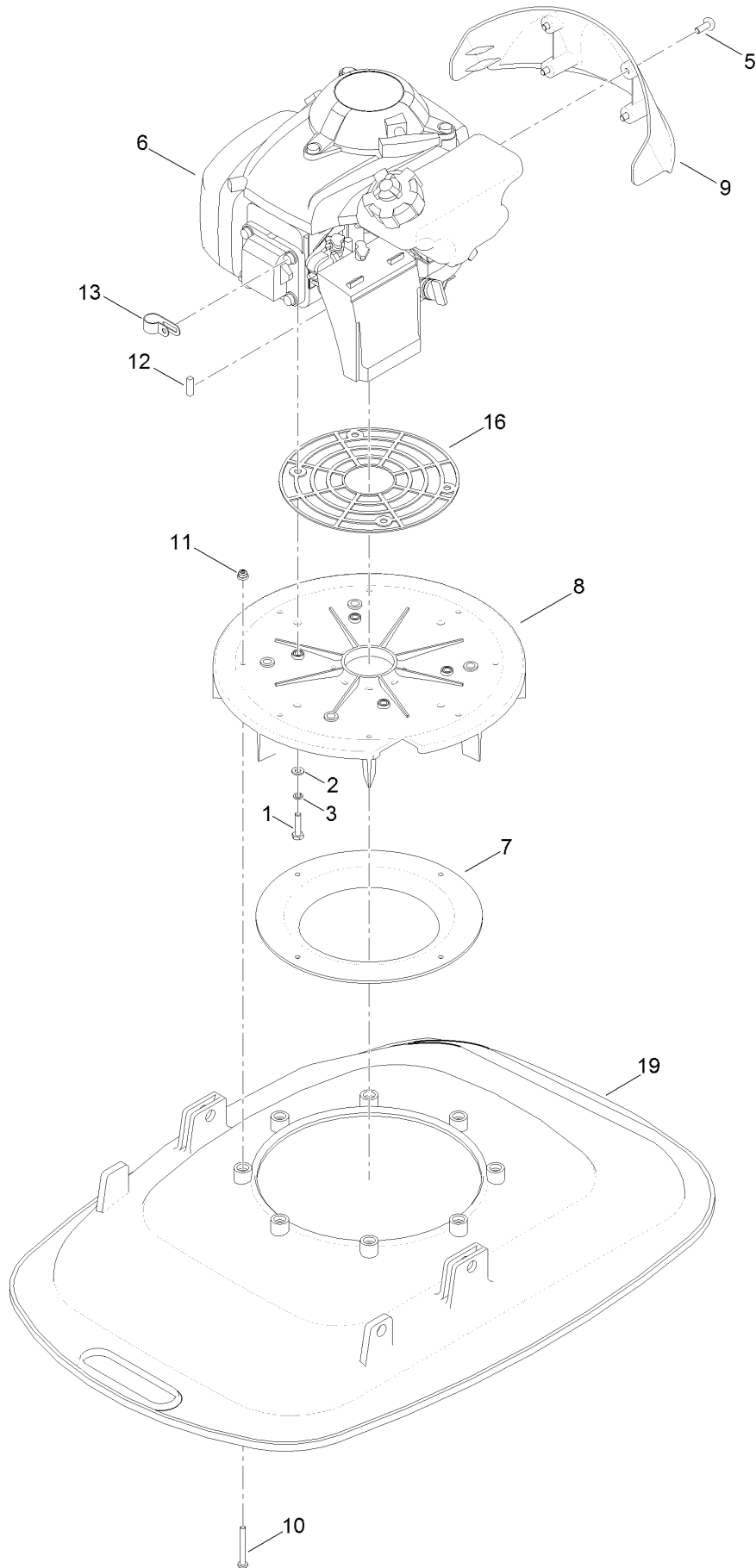
Cutting Assembly



Cutting Assembly (continued)

<i>Ref.</i>	<i>Part Number</i>	<i>Qty.</i>	<i>Description</i>	<i>Ref.</i>	<i>Part Number</i>	<i>Qty.</i>	<i>Description</i>
2	111-1302	1	Impeller	5	111-1515	1	Disc-Spring
3	111-1381	1	Disc-Cutting	7	111-5252	1	Line-Cutting, Nylon (27M Spool)
4	111-1504	1	Bolt-HH				

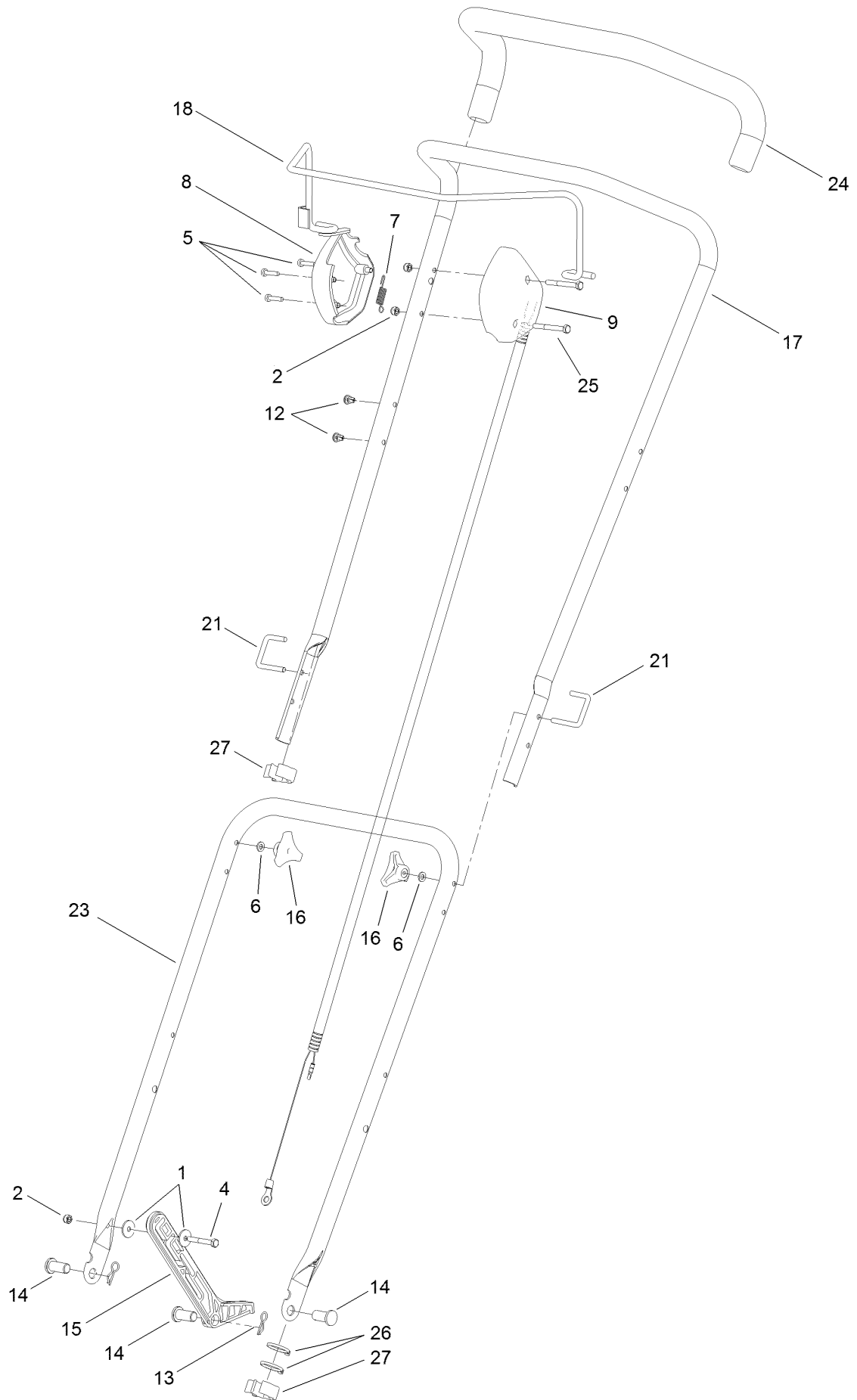
Engine and Deck Assembly



Engine and Deck Assembly (continued)

<i>Ref.</i>	<i>Part Number</i>	<i>Qty.</i>	<i>Description</i>	<i>Ref.</i>	<i>Part Number</i>	<i>Qty.</i>	<i>Description</i>
1	09364	4	Screw-HH	9	111-5480	1	Cover-Sump
2	09472	4	Washer-Plain	10	111-1501	8	Screw-PPH
3	09474	4	Washer-Spring	11	111-1502	8	Nut-HHF, Ny
5	09784	4	Screw Soc HD Button	12	111-1503	1	Key-Drive, Square Ended
6	111-1245	1	Engine-Honda	13	111-1792	1	Clip-P, Natural
7	111-1299	1	Bell-Mouth	16	111-4675	1	Sink-Heat
8	111-1300	1	Plate-Engine	19	H192257	1	Deck

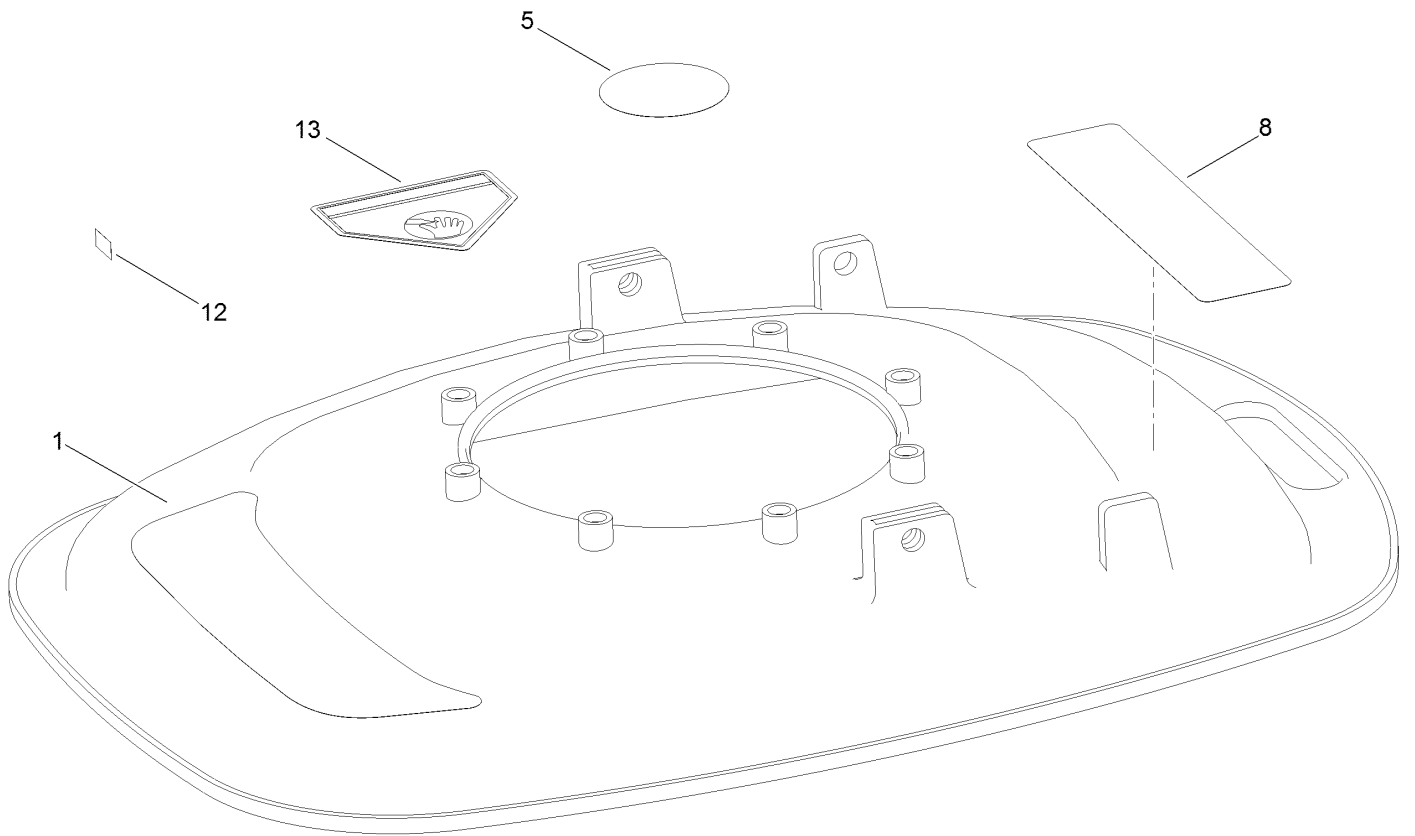
Handle Assembly



Handle Assembly (continued)

<i>Ref.</i>	<i>Part Number</i>	<i>Qty.</i>	<i>Description</i>	<i>Ref.</i>	<i>Part Number</i>	<i>Qty.</i>	<i>Description</i>
1	09263	2	Washer	15	H192181	1	Footstop
2	09438	3	Nut-Nyloc	16	H192204	2	Handwheel
4	09568	1	Bolt-HH	17	H290237	1	Handle-Upper
5	09765	3	Screw-Plastite	18	H290239	1	Arm-Bail
6	100.000.630	2	Washer	21	H292026	2	Bolt-U
7	111-1773	1	Spring-Return	23	H292254	1	Handle-Lower
8	111-1816	1	Box-Switch, LH	24	H292276	1	Grip-Handle
9	111-2054	1	Opc Wire Loom ASM	25	H292309	2	Bolt-Hex
12	341033	2	Fastener-Drive	26	HY3966	1	Tie-Cable
13	H192040	3	Clip-R	27	HY412008	2	Guide-Cable
14	H192169	3	Pin-Retaining				

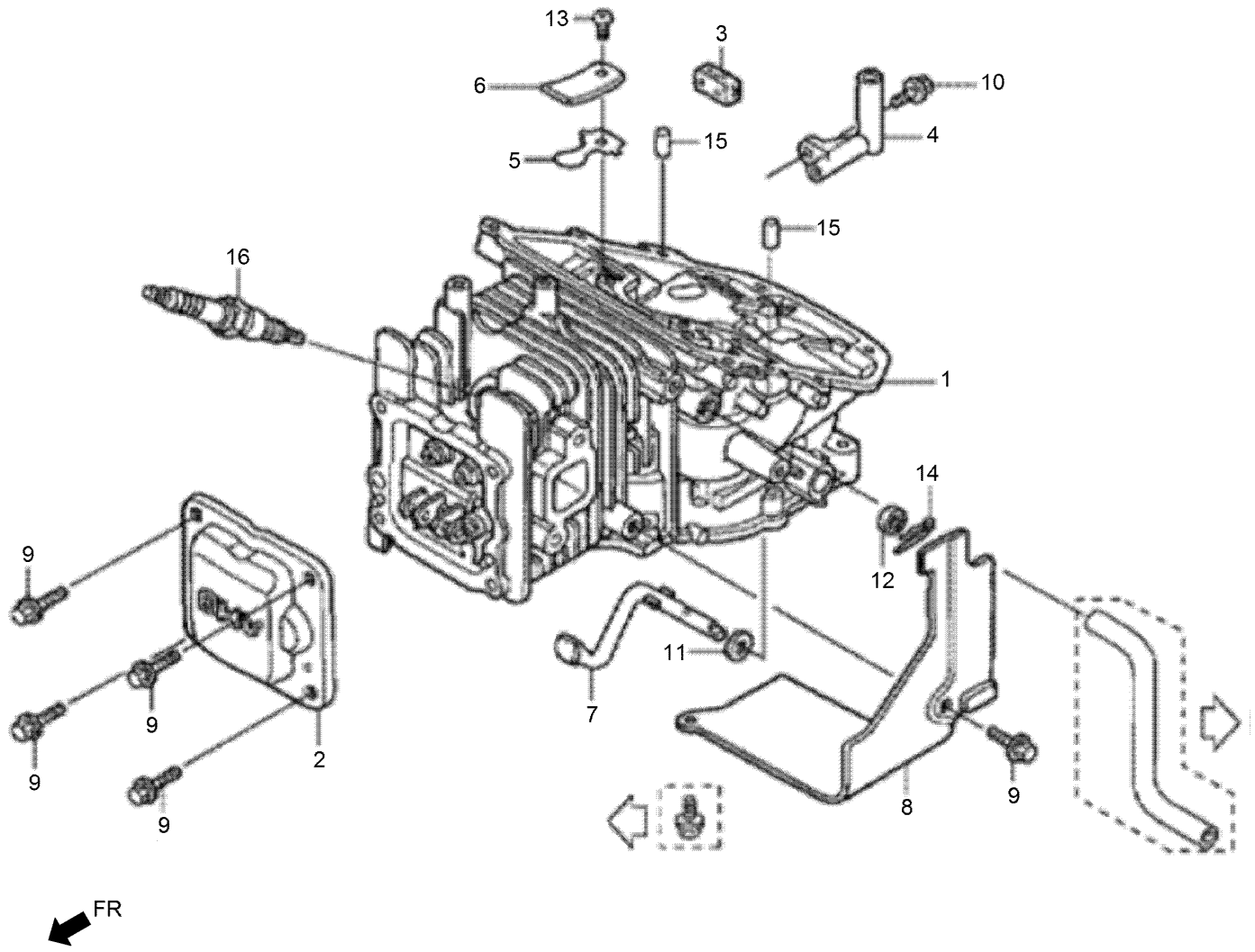
Decal Assembly



Decal Assembly (continued)

<i>Ref.</i>	<i>Part Number</i>	<i>Qty.</i>	<i>Description</i>	<i>Ref.</i>	<i>Part Number</i>	<i>Qty.</i>	<i>Description</i>
1	111-5348	1	Decal-Hover Pro	12	H295159	1	Decal-Stop
5	111-5361	1	Decal-Engine	13	94-8072	1	Decal-Danger
8	111-5392	1	Decal-Warning				

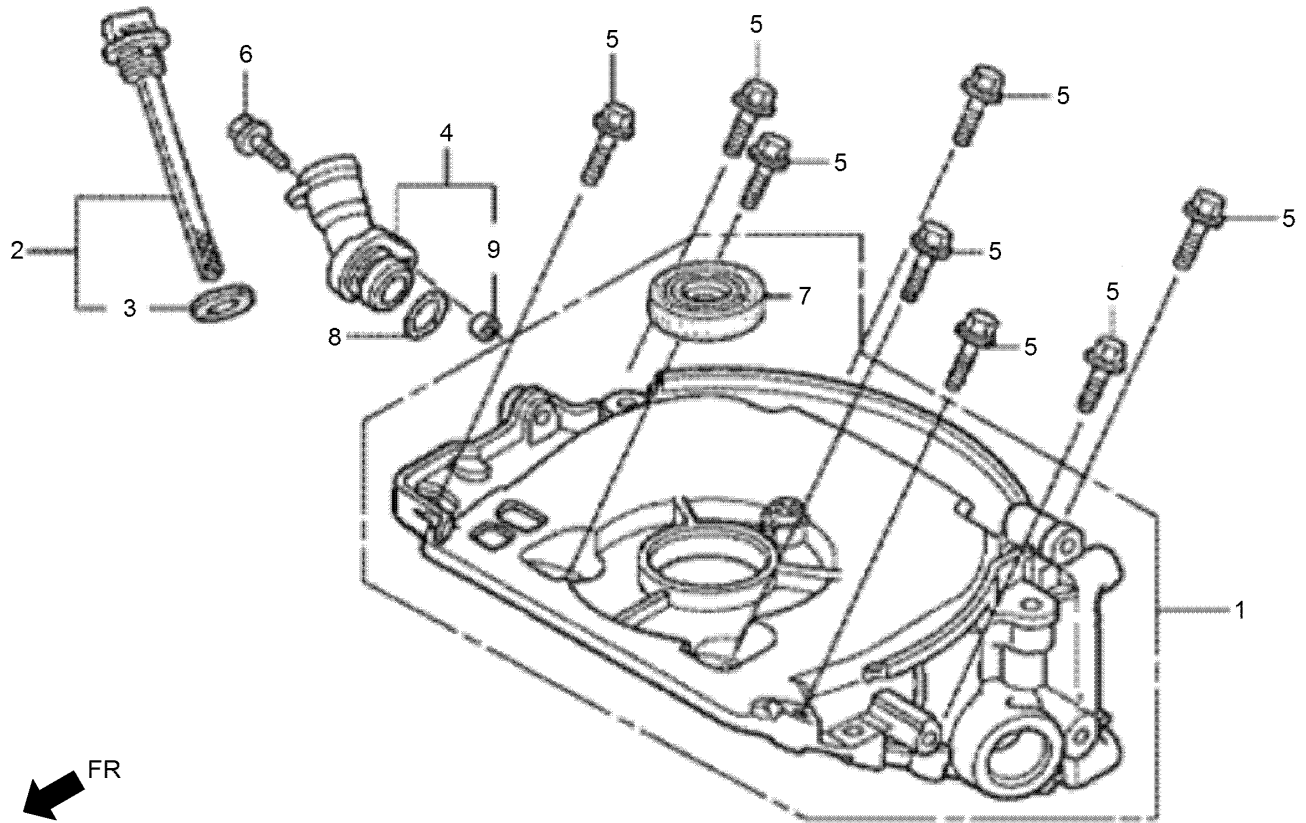
Cylinder Barrel Assembly



Cylinder Barrel Assembly (continued)

<i>Ref.</i>	<i>Part Number</i>	<i>Qty.</i>	<i>Description</i>	<i>Ref.</i>	<i>Part Number</i>	<i>Qty.</i>	<i>Description</i>
1	132-0117	1	Cylinder Barrel ASM	10	132-0588	1	Bolt-4X10
2	132-0130	1	Cover-Head	11	132-0634	1	Washer-5.2X9
3	132-0132	1	Filter-Breather	12	132-0662	1	Oil Seal-5X11X5
4	132-0216	1	Pipe-Breather	13	132-0675	1	Screw-Pan-3X5
5	132-0218	1	Valve-Oil Outlet	14	132-0692	1	Pin-Lock-6Mm
6	132-0219	1	Plate-Stopper	15	131-8228	2	Roller-6X15
7	132-0309	1	Shaft-Governor Arm	16	131-8229	1	Sparkplug (U16Fsr-Ub)
8	132-0474	1	Shroud	16	131-8230	1	Sparkplug (Cr5Hsb)
9	132-0577	5	Bolt-Flange-5X12				

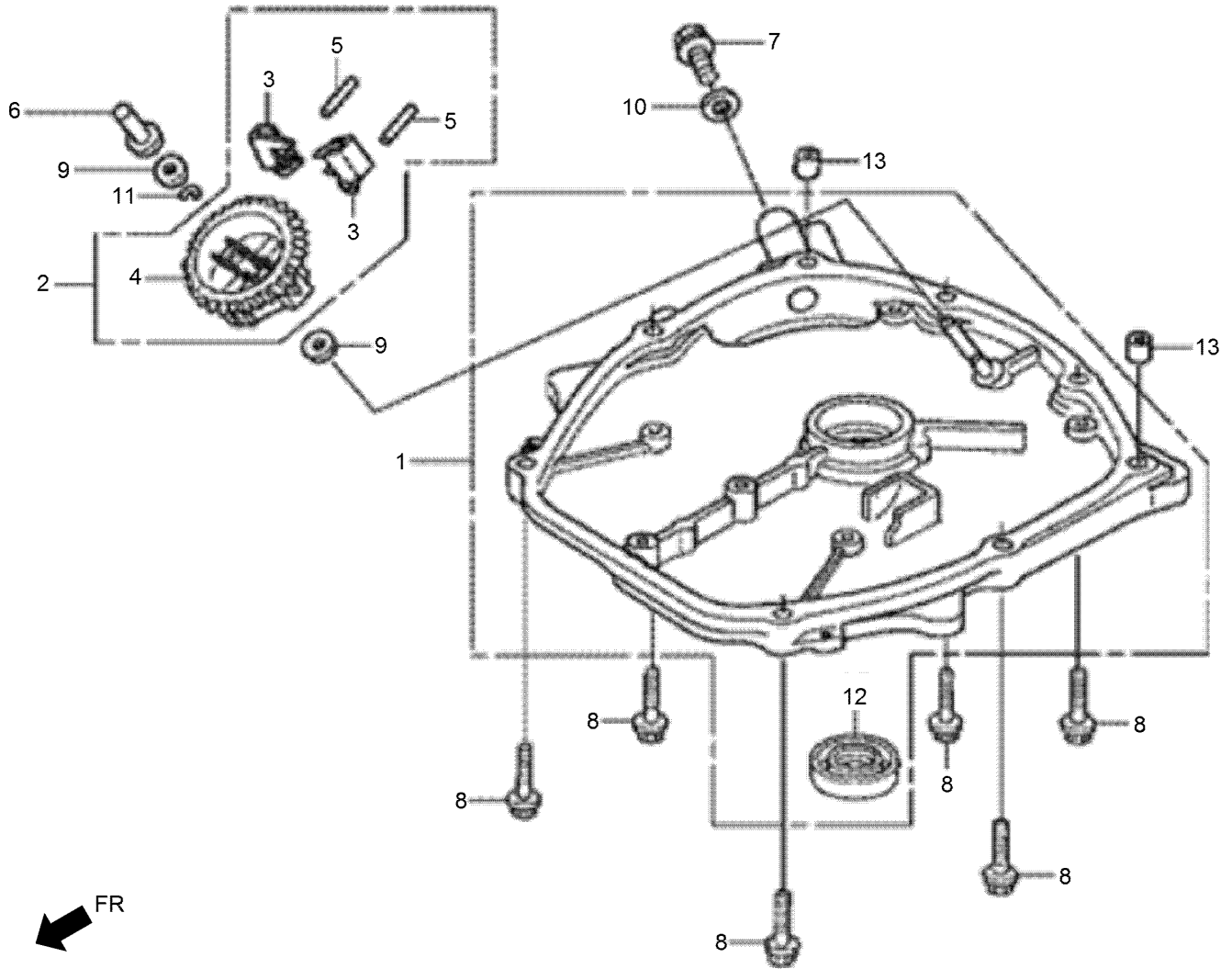
Oil Case Assembly



Oil Case Assembly (continued)

<i>Ref.</i>	<i>Part Number</i>	<i>Qty.</i>	<i>Description</i>	<i>Ref.</i>	<i>Part Number</i>	<i>Qty.</i>	<i>Description</i>
1	132-0106	1	Case ASM-Oil	6	132-0591	1	Bolt-Flange-5X14
2	132-0223	1	Cap ASM-Oil Filler	7	132-0657	1	Oil Seal-17X27X5
3	132-0225	1	Packing-Oil Filler Cap	8	132-0667	1	O-Ring-21.2X2.4
4	132-0228	1	Extension-Oil Filler	9	132-0671	1	Collar-Top Cover
5	132-0587	8	Bolt-Flange-5X23				

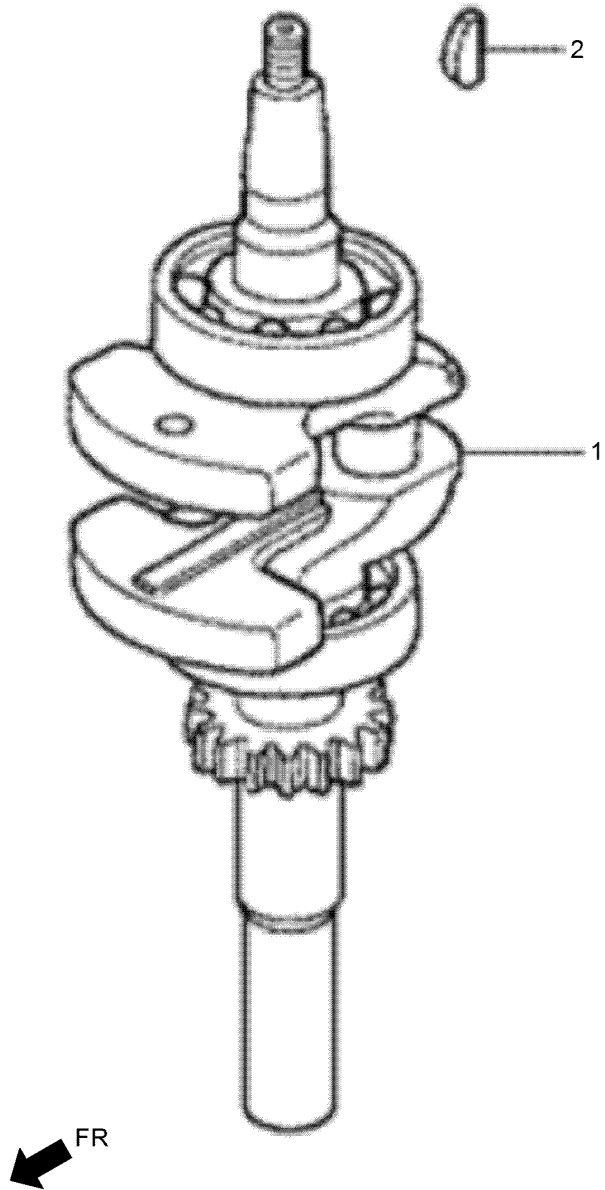
Crankcase Cover Assembly



Crankcase Cover Assembly (continued)

<i>Ref.</i>	<i>Part Number</i>	<i>Qty.</i>	<i>Description</i>	<i>Ref.</i>	<i>Part Number</i>	<i>Qty.</i>	<i>Description</i>
1	132-0107	1	Crankcase Side Cover ASM	8	132-0587	6	Bolt-Flange-5X23
2	132-0298	1	Governor ASM	9	132-0633	2	Washer-4.2X13
3	132-0300	2	Weight-Governor	10	132-0638	1	Washer-Drain Plug-12Mm
4	132-0302	1	Holder-Governor Weight	11	132-0643	1	Clip-Governor Holder
5	132-0303	2	Pin-Governor Weight	12	132-0656	1	Oil Seal-18.9X28X5
6	132-0305	1	Slider-Governor	13	132-0694	2	Dowel Pin-6X10
7	132-0576	1	Bolt-Plug Drain-12Mm				

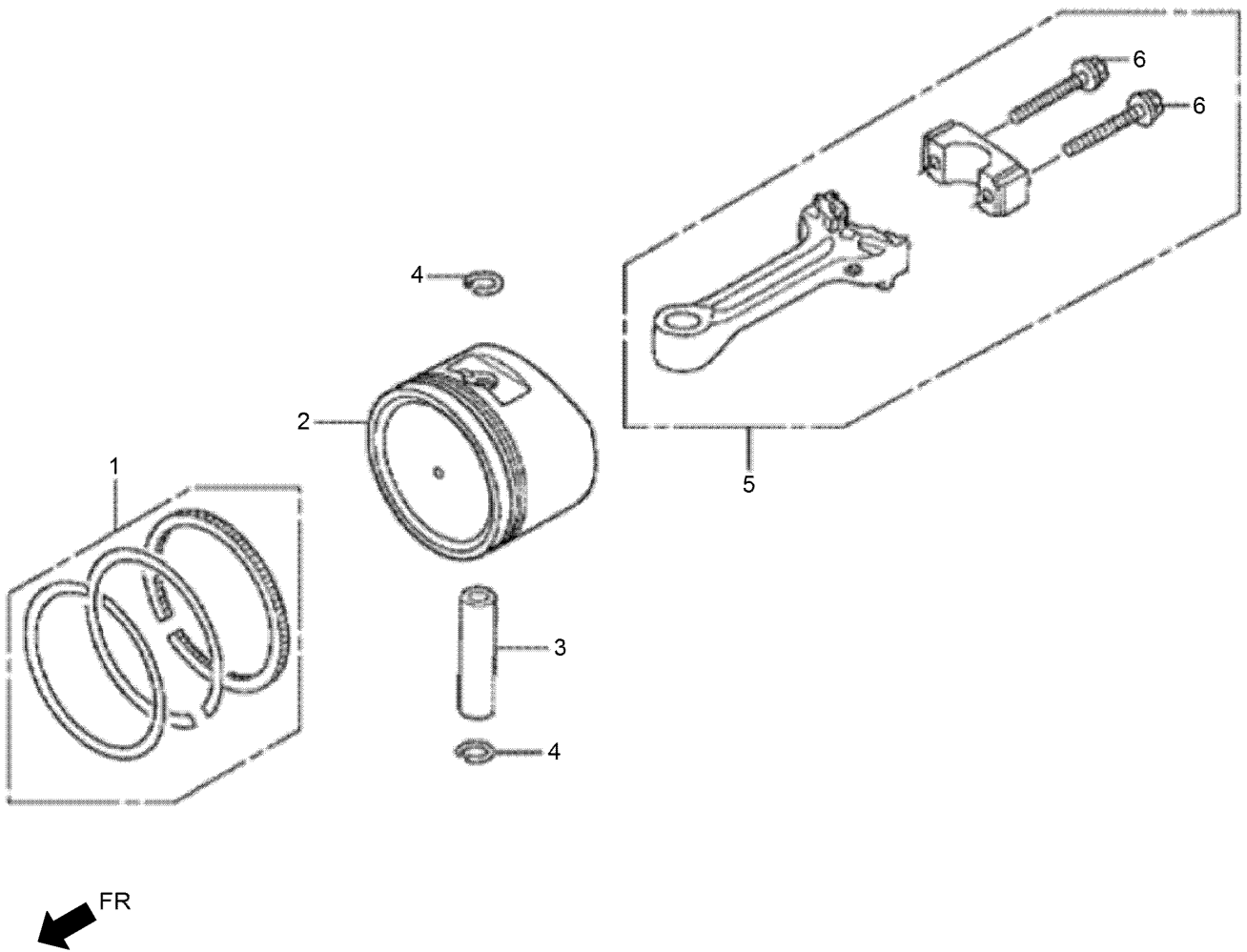
Crankshaft Assembly



Crankshaft Assembly (continued)

<i>Ref.</i>	<i>Part Number</i>	<i>Qty.</i>	<i>Description</i>
1	132-0162	1	Crankshaft
2	132-0169	1	Key-Special

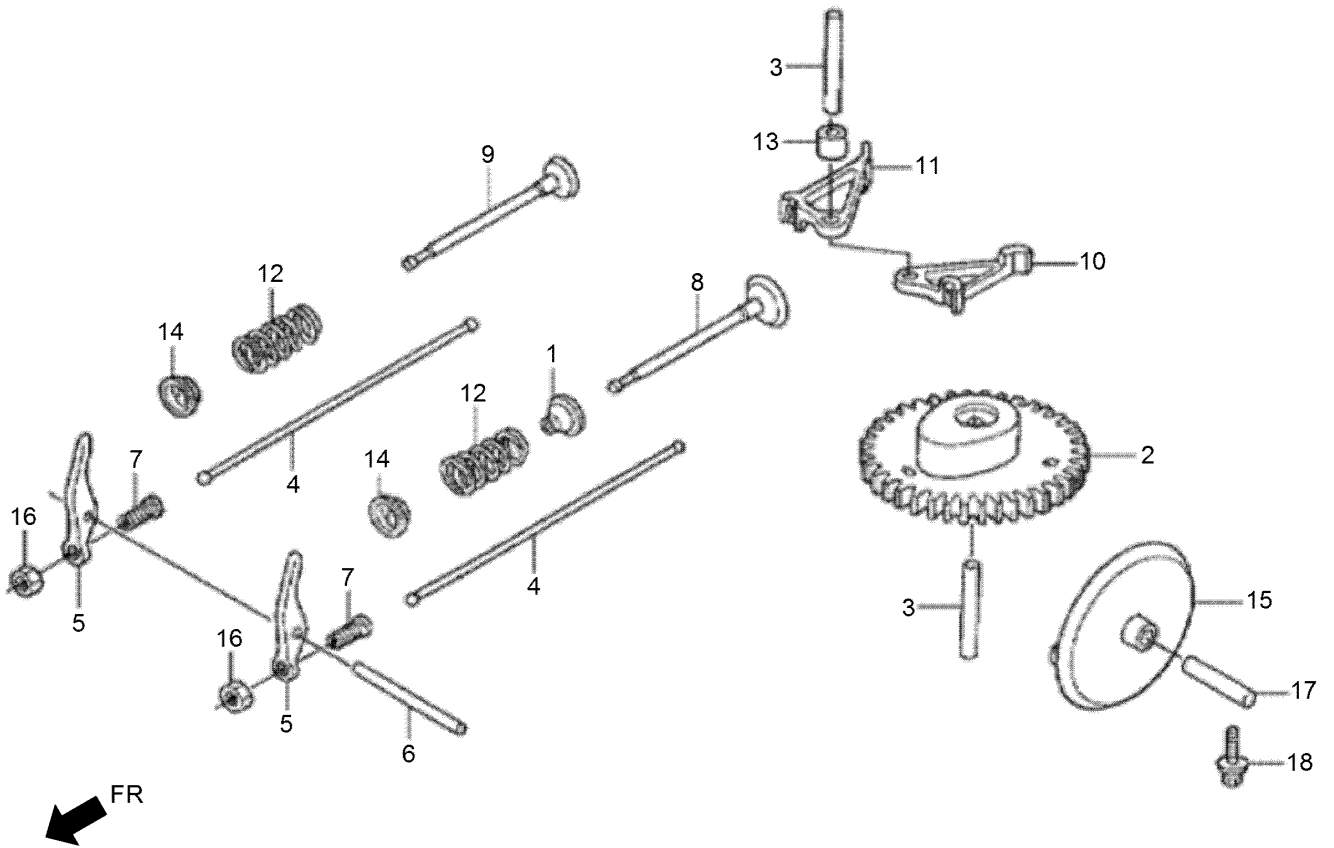
Piston and Connecting Rod Assembly



Piston and Connecting Rod Assembly (continued)

<i>Ref.</i>	<i>Part Number</i>	<i>Qty.</i>	<i>Description</i>	<i>Ref.</i>	<i>Part Number</i>	<i>Qty.</i>	<i>Description</i>
1	132-0141	1	Ring Set-Piston	4	132-0153	2	Clip-Piston Pin-10Mm
2	132-0147	1	Piston	5	132-0158	1	Rod ASM-Connecting
3	132-0148	1	Pin-Piston-10X33	6	132-0574	2	Bolt-Connecting Rod

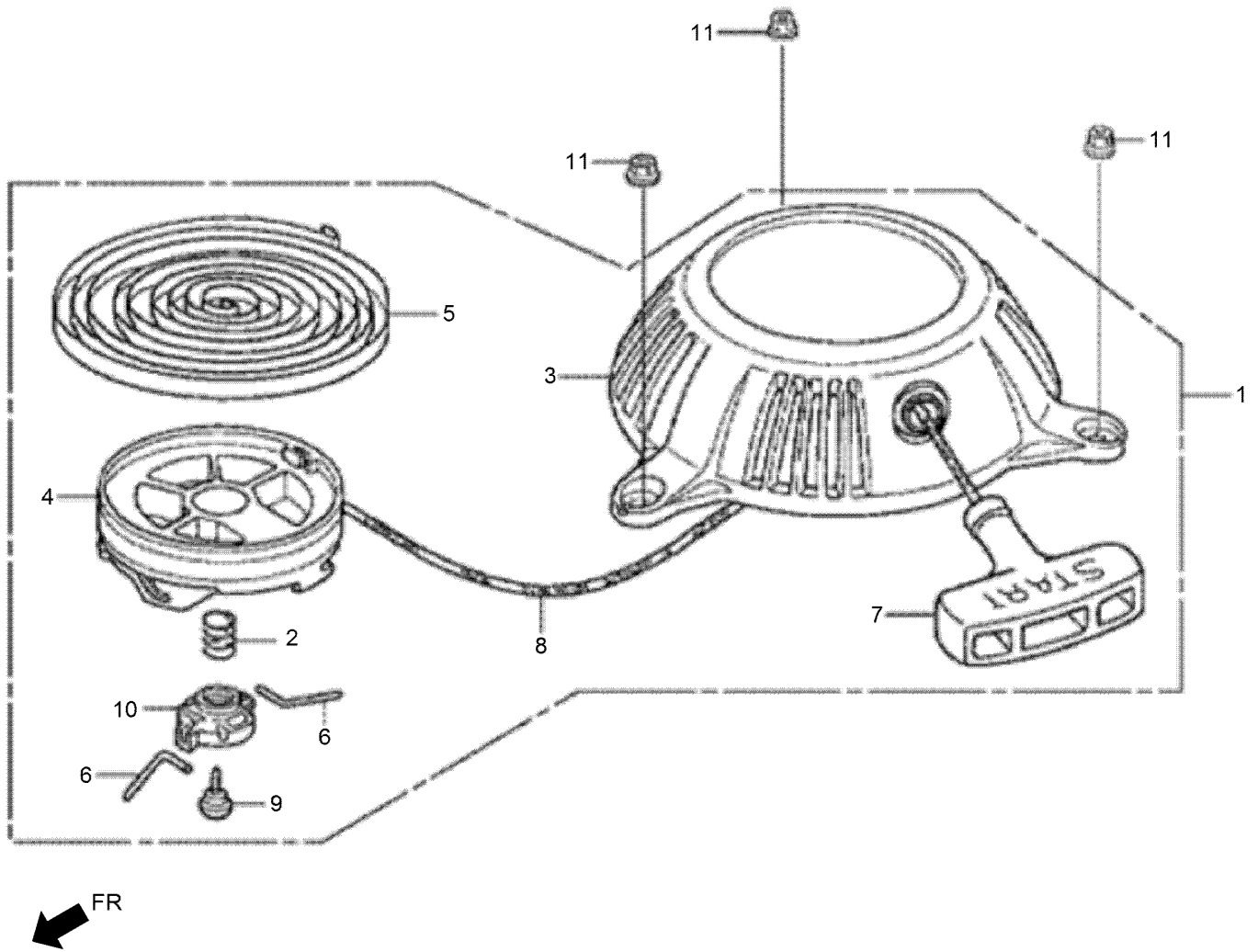
Camshaft Assembly



Camshaft Assembly (continued)

<i>Ref.</i>	<i>Part Number</i>	<i>Qty.</i>	<i>Description</i>	<i>Ref.</i>	<i>Part Number</i>	<i>Qty.</i>	<i>Description</i>
1	132-0123	1	Seal-Valve Stem	10	132-0204	1	Lifter-Valve
2	132-0171	1	Camshaft ASM	11	132-0205	1	Lifter-Exhaust Valve
3	132-0173	2	Roller	12	132-0208	2	Spring-Valve
4	132-0182	2	Rod-Push	13	132-0209	1	Collar-Lifter
5	132-0185	2	Arm-Valve Rocker	14	132-0212	2	Retainer-Valve Spring
6	132-0186	1	Roller	15	132-0217	1	Slinger-Oil
7	132-0189	2	Pivot-Rocker Arm	16	132-0628	2	Nut-Tappet Adjusting
8	132-0197	1	Valve-Intake	17	132-0653	1	Roller-6X25
9	132-0202	1	Valve-Exhaust	18	132-0674	1	Bolt-Washer-5X16

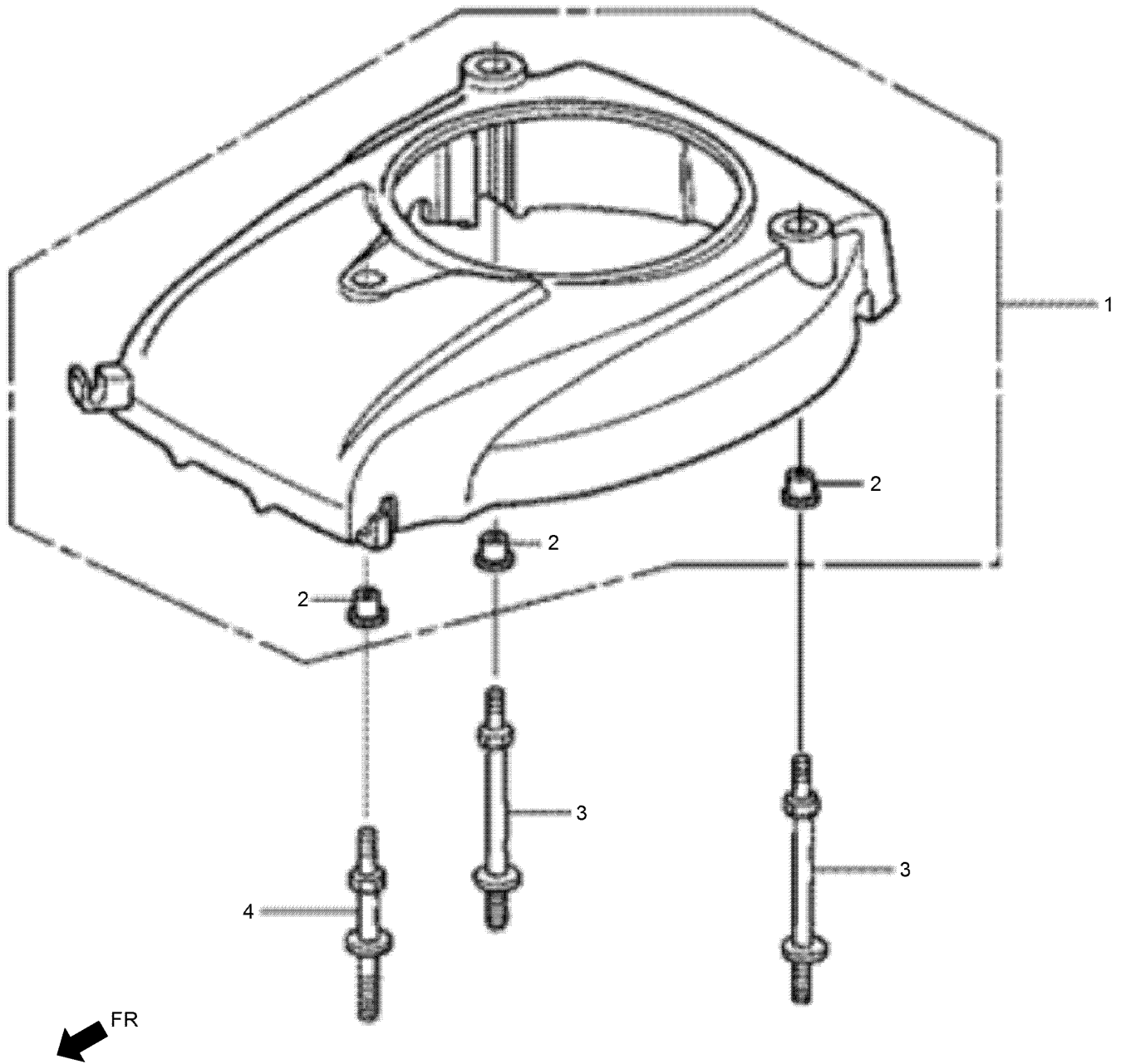
Recoil Starter Assembly



Recoil Starter Assembly (continued)

<i>Ref.</i>	<i>Part Number</i>	<i>Qty.</i>	<i>Description</i>	<i>Ref.</i>	<i>Part Number</i>	<i>Qty.</i>	<i>Description</i>
1	132-0482	1	Starter ASM-Recoil (From S/N 1003762)	7	132-0503	1	Grip-Starter (To S/N 1003761)
1	132-0481	1	Starter ASM-Recoil (To S/N 1003761)	7	132-0504	1	Knob-Recoil Starter (From S/N 1003762)
2	132-0483	1	Spring-Friction	8	132-0506	1	Rope-Recoil Starter
3	132-0488	1	Starter Case ASM	9	132-0593	1	Screw-Setting
4	132-0490	1	Reel-Recoil Starter	10	132-0673	1	Collar
5	132-0496	1	Spring-Recoil Starter	11	132-0685	3	Nut-Flange-5Mm
6	132-0501	2	Arm-Swing				

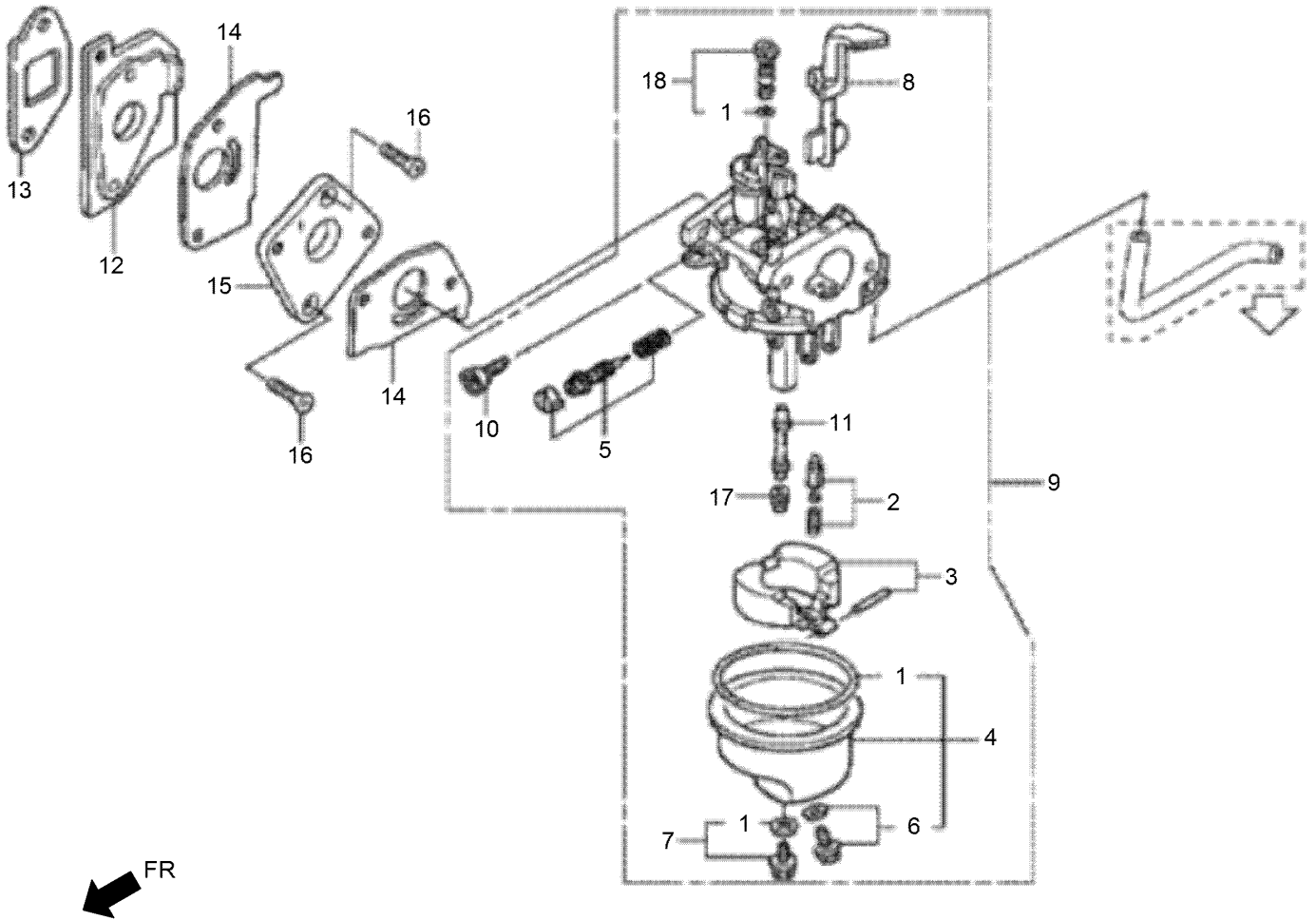
Fan Cover Assembly



Fan Cover Assembly (continued)

<i>Ref.</i>	<i>Part Number</i>	<i>Qty.</i>	<i>Description</i>	<i>Ref.</i>	<i>Part Number</i>	<i>Qty.</i>	<i>Description</i>
1	132-0467	1	Fan Cover ASM (Nh1)	3	132-0610	2	Bolt A-Stud
2	132-0472	3	Collar-Fan Cover	4	132-0614	1	Bolt B-Stud

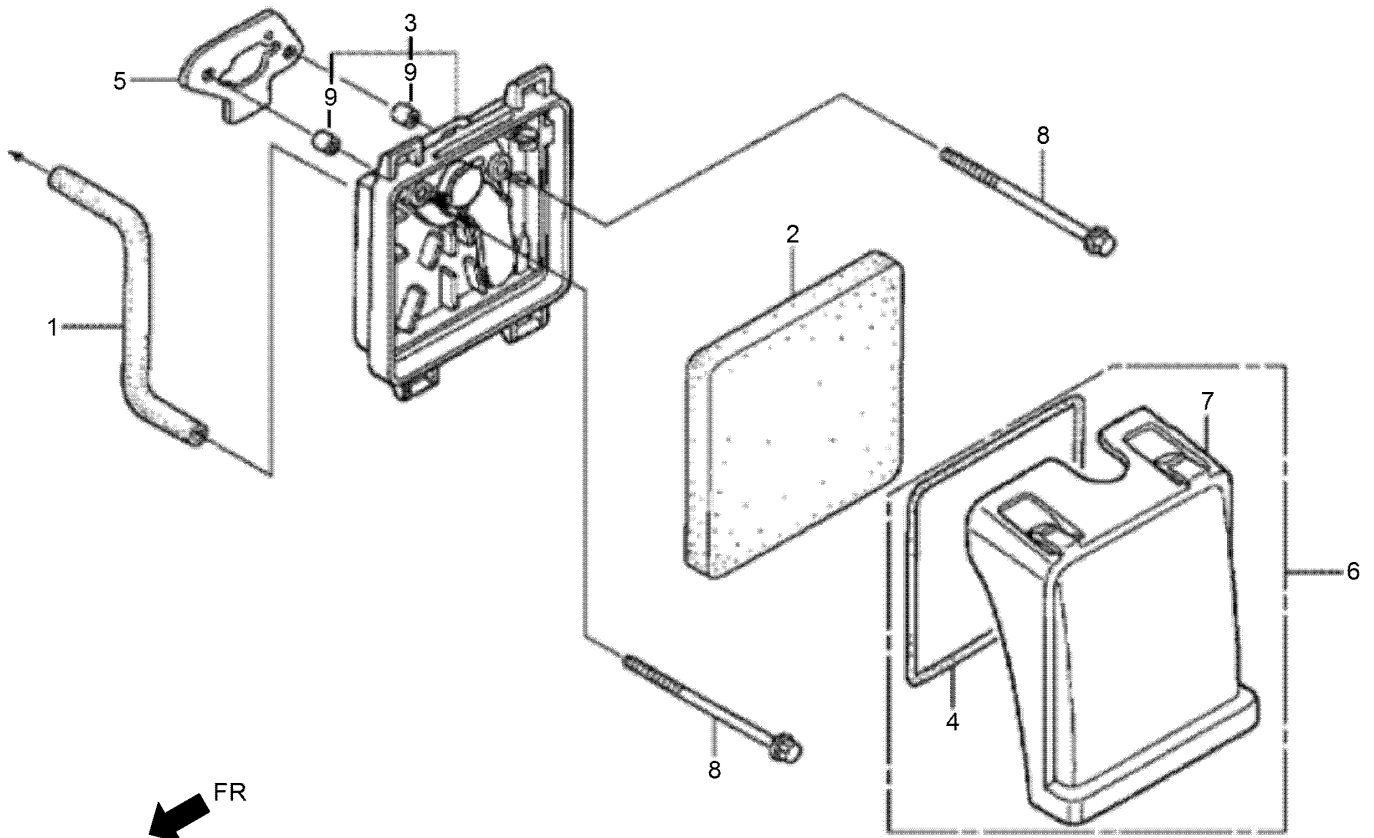
Carburetor Assembly



Carburetor Assembly (continued)

<i>Ref.</i>	<i>Part Number</i>	<i>Qty.</i>	<i>Description</i>	<i>Ref.</i>	<i>Part Number</i>	<i>Qty.</i>	<i>Description</i>
1	132-0240	1	Gasket Set	10	132-0268	1	Screw-Throttle Stop
2	132-0241	1	Valve Set-Float	11	132-0275	1	Nozzle-Main
3	132-0243	1	Float Set	12	132-0280	1	Insulator-Carburetor
4	132-0248	1	Chamber Set-Float	13	132-0283	1	Packing-Insulator
5	132-0250	1	Screw Set-Pilot	14	132-0286	2	Packing-Carburetor
6	132-0252	1	Screw Set-Drain	15	132-0288	1	Plate-Carburetor Joint
7	132-0255	1	Screw Set	16	132-0680	2	Screw-Flat-5X20
8	132-0258	1	Choke Set	17	131-8236	1	Jet-Main No. 52
9	132-0266	1	Carburetor ASM	18	131-8238	1	Jet Set-Pilot, No. 35

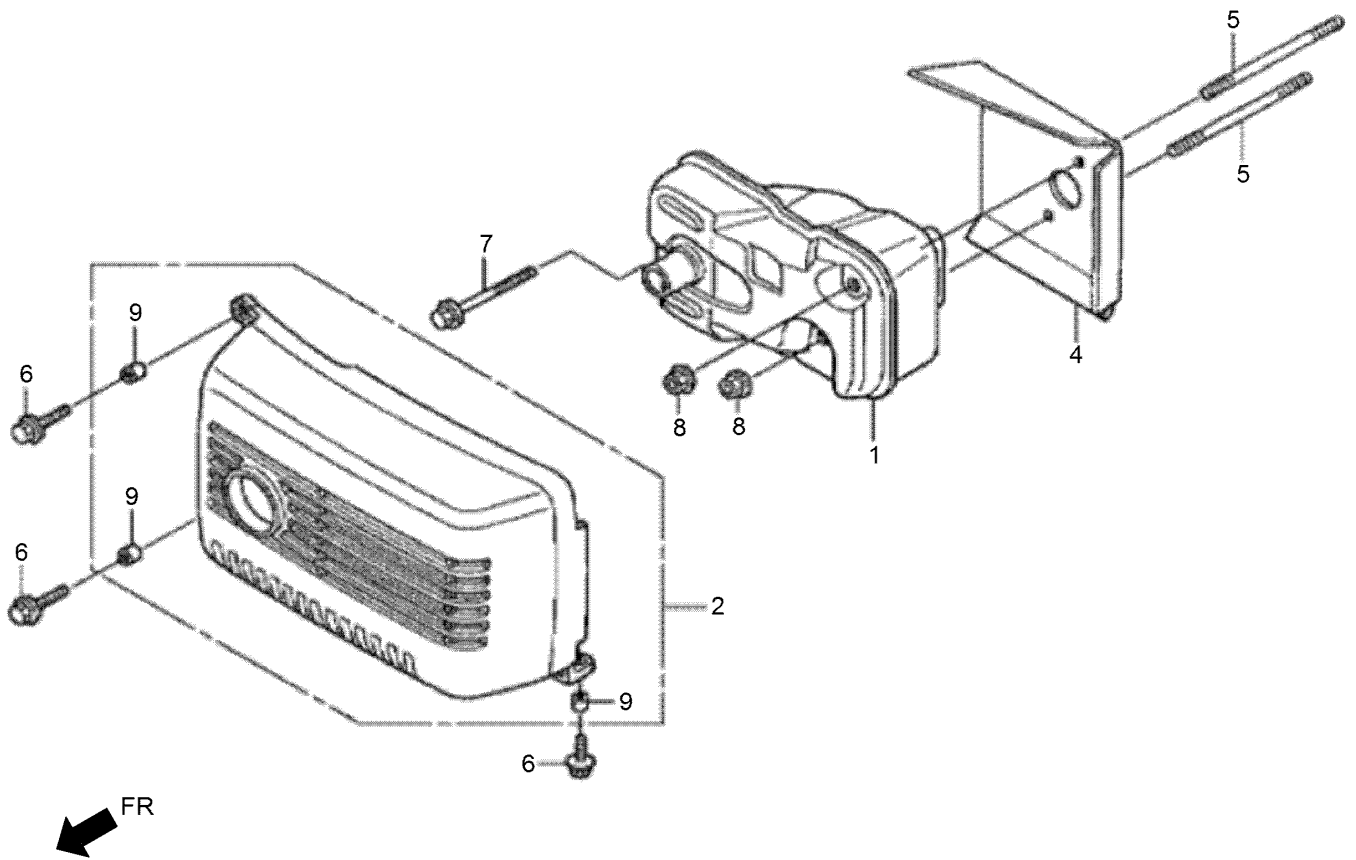
Air Cleaner Assembly



Air Cleaner Assembly (continued)

<i>Ref.</i>	<i>Part Number</i>	<i>Qty.</i>	<i>Description</i>	<i>Ref.</i>	<i>Part Number</i>	<i>Qty.</i>	<i>Description</i>
1	132-0237	1	Tube-Breather	7	132-0389	1	Cover-Air Cleaner (To S/N 1003761)
2	132-0371	1	Element-Air Cleaner	7	132-0390	1	Cover-Air Cleaner (From S/N 1003762)
3	132-0377	1	Air Cleaner Case ASM	8	132-0585	2	Bolt-Flange-5X65
4	132-0379	1	Seal-Air Cleaner	9	132-0672	2	Collar-Air Cleaner
5	132-0382	1	Packing-Air Cleaner				
6	132-0383	1	Air Cleaner Cover ASM (To S/N 1003761)				
6	132-0384	1	Air Cleaner Cover ASM (From S/N 1003762)				

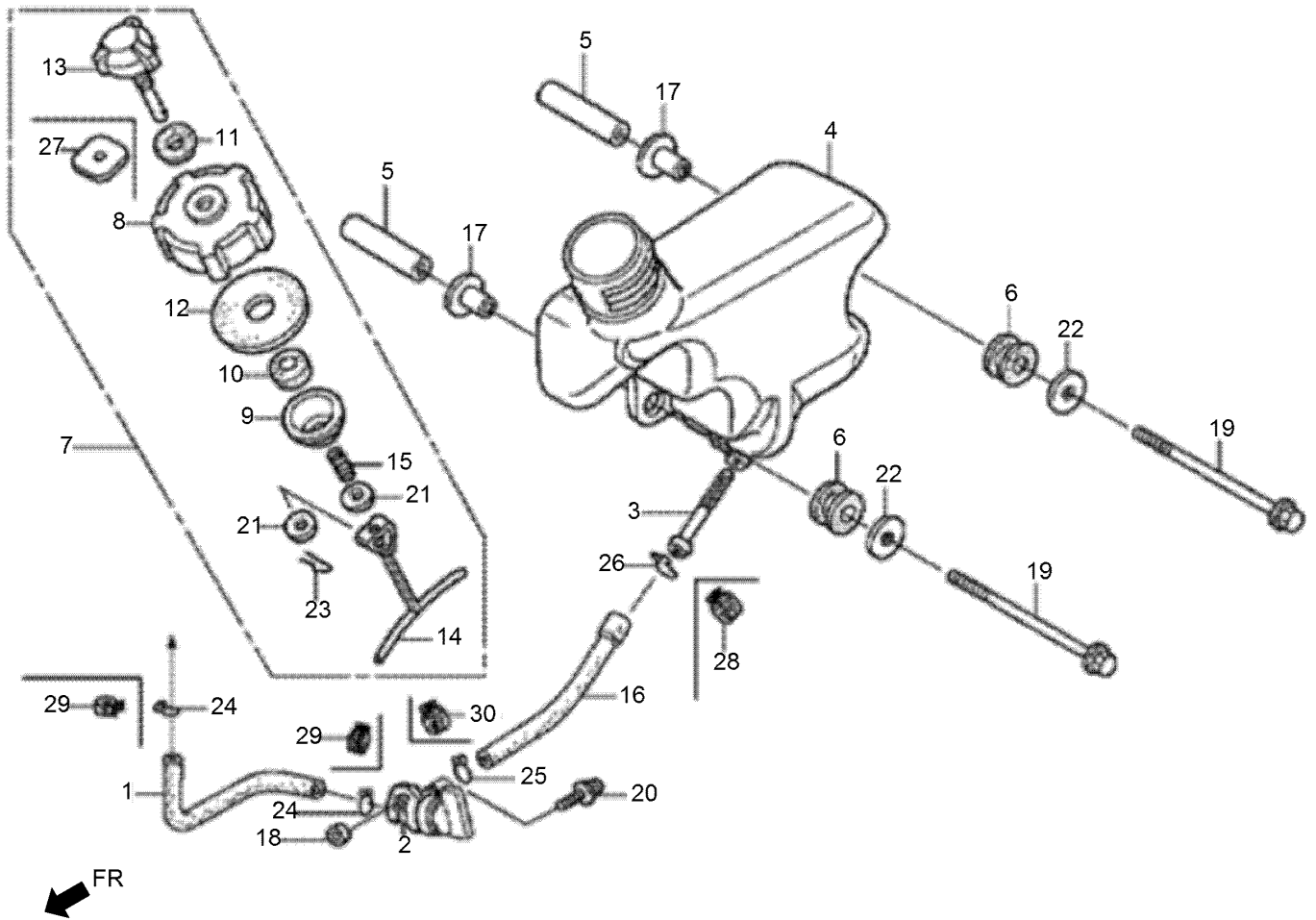
Muffler Assembly



Muffler Assembly (continued)

<i>Ref.</i>	<i>Part Number</i>	<i>Qty.</i>	<i>Description</i>	<i>Ref.</i>	<i>Part Number</i>	<i>Qty.</i>	<i>Description</i>
1	132-0450	1	Muffler	6	132-0590	3	Bolt-Flange-5X16
2	132-0454	1	Muffler Protector ASM	7	132-0618	1	Bolt-Flange-5X35
4	132-0459	1	Guide-Air	8	132-0623	2	Nut-Self-Lock-5Mm
5	132-0575	2	Bolt-Stud-5X55	9	132-0671	3	Collar-Top Cover

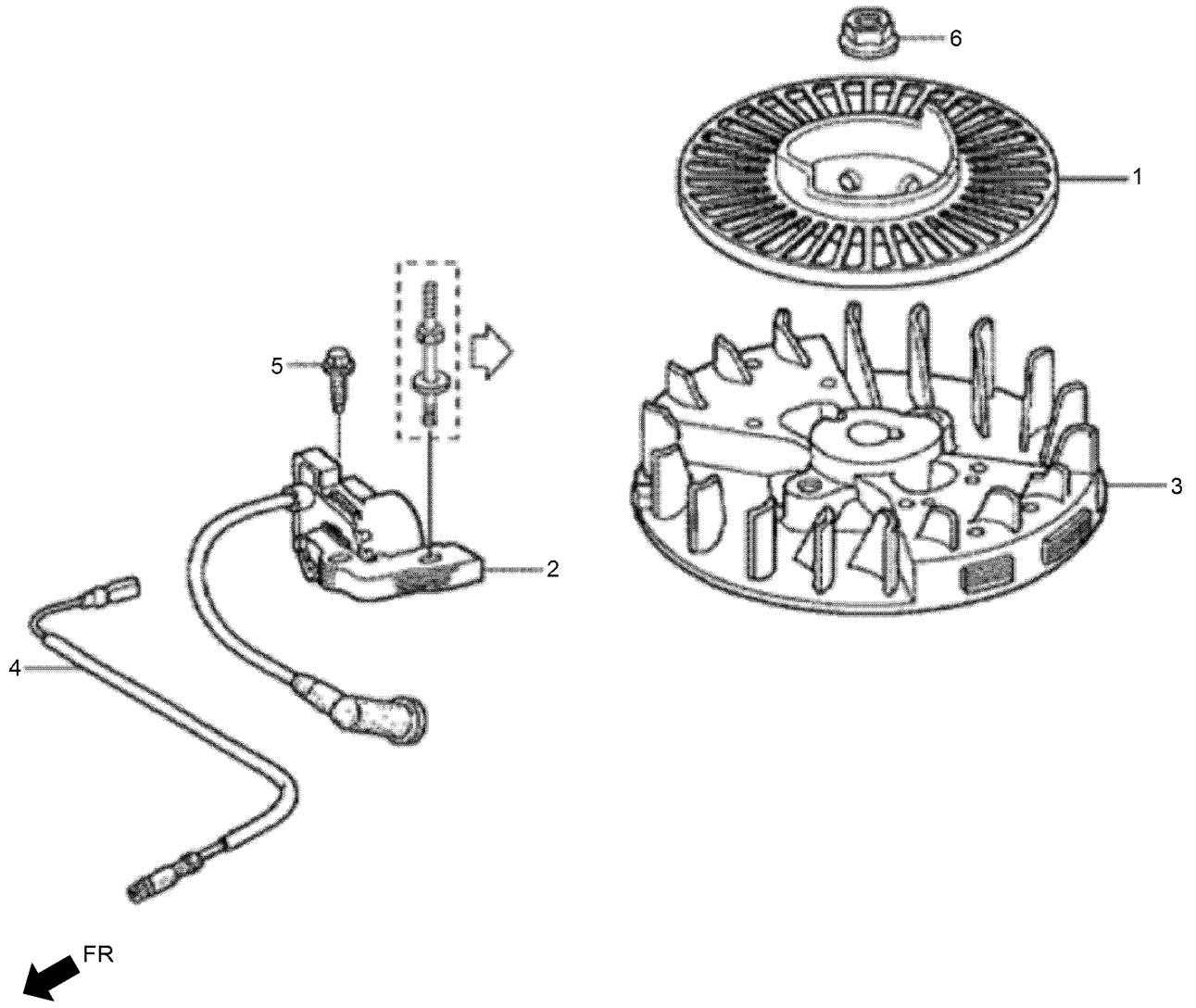
Fuel Tank Assembly



Fuel Tank Assembly (continued)

<i>Ref.</i>	<i>Part Number</i>	<i>Qty.</i>	<i>Description</i>	<i>Ref.</i>	<i>Part Number</i>	<i>Qty.</i>	<i>Description</i>
1	132-0350	1	Tube B-Fuel (From S/N 1005402)	13	132-0428	1	Breather Valve ASM (From S/N 1002357)
1	132-0351	1	Tube B-Fuel (To S/N 1005401)	14	132-0429	1	Link-Fuel Cap
2	132-0355	1	Cock ASM-Fuel	15	132-0430	1	Spring-Fuel Cap
3	132-0358	1	Strainer-Fuel	16	132-0435	1	Tube-Fuel (From S/N 1005402)
4	132-0399	1	Tank-Fuel (To S/N 1003833)	16	132-0437	1	Tube-Fuel Tank (To S/N 1005401)
4	132-0400	1	Tank-Fuel (From S/N 1003834)	17	132-0460	2	Collar-Canister Mounting
5	132-0405	2	Collar-Tank Setting	18	132-0527	1	Collar-Fr Winker
6	132-0407	2	Rubber A-Tank Mounting	19	132-0599	2	Bolt-Flange-6X65
7	132-0415	1	Cap ASM-Fuel Tank (To S/N 1002356)	20	132-0681	1	Screw-Washer-5X10
7	132-0416	1	Cap ASM-Fuel Tank (From S/N 1002357 To 1003184)	21	132-0687	2	Washer-Plain-4Mm
7	132-0417	1	Cap ASM-Fuel Tank (From S/N 1003185)	22	132-0690	2	Washer-Plain-6Mm
8	132-0418	1	Body-Fuel Cap (To S/N 1003184)	23	132-0691	1	Pin-Lock-4Mm
8	132-0419	1	Body-Fuel Cap (From S/N 1003185)	24	132-0699	2	Clip-Tube (To S/N 1005401)
9	132-0421	1	Inner-Fuel Cap	25	131-8209	1	Clip-Tube (To S/N 1005401)
10	132-0422	1	Sponge-Fuel Cap Breather	26	131-8210	1	Clip-Tube (To S/N 1005401)
11	132-0425	1	Packing-Valve (To S/N 1002356)	27	132-0424	1	Tube-Fuel (From S/N 1002357)
12	132-0426	1	Packing-Fuel Cap	28	131-8213	1	Clamp-Tube (From S/N 1005402)
13	132-0427	1	Breather Valve ASM (To S/N 1002356)	29	131-8211	2	Clamp-Tube (From S/N 1005402)
				30	131-8212	1	Clamp-Tube (From S/N 1005402)

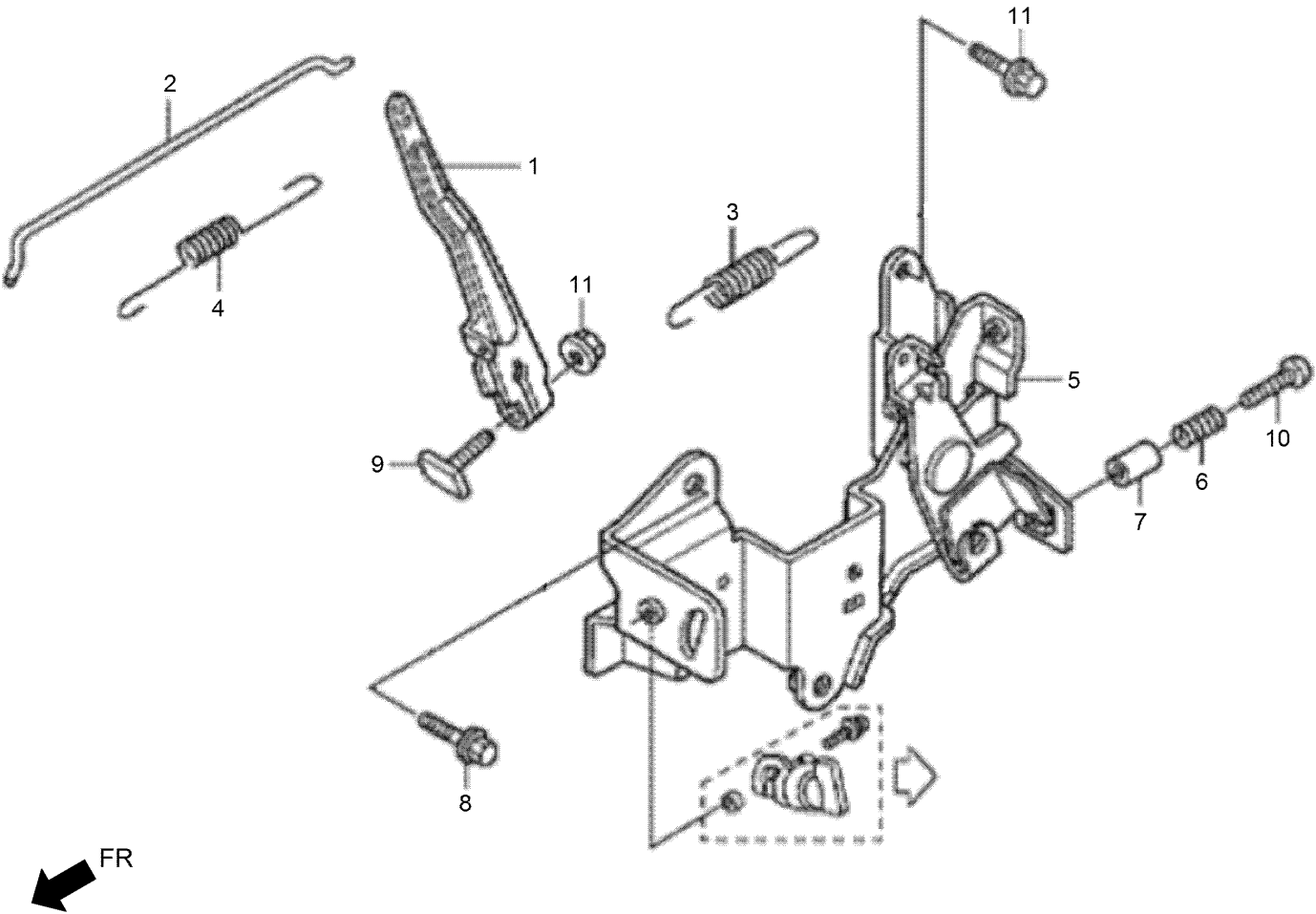
Flywheel and Ignition Coil Assembly



Flywheel and Ignition Coil Assembly (continued)

<i>Ref.</i>	<i>Part Number</i>	<i>Qty.</i>	<i>Description</i>	<i>Ref.</i>	<i>Part Number</i>	<i>Qty.</i>	<i>Description</i>
1	132-0498	1	Starter Pulley ASM	3	132-0520	1	Flywheel ASM
2	132-0513	1	Coil ASM-Ignition (To S/N 1001162)	4	132-0526	1	Cord-Stop Switch
2	132-0514	1	Coil ASM-Ignition (From S/N 1001163)	5	132-0582	1	Bolt-Flange-5X20
				6	132-0686	1	Nut-Flange-10Mm

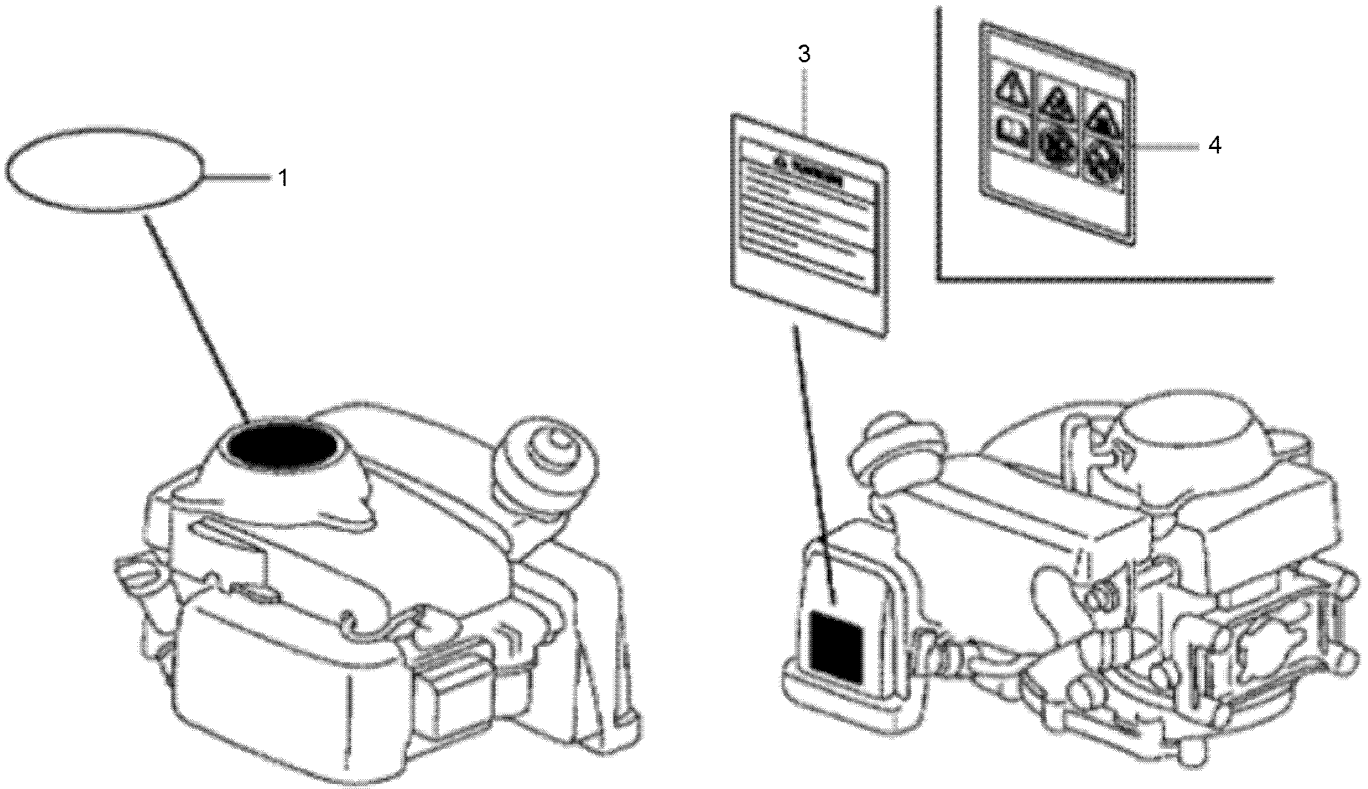
Control Assembly



Control Assembly (continued)

<i>Ref.</i>	<i>Part Number</i>	<i>Qty.</i>	<i>Description</i>	<i>Ref.</i>	<i>Part Number</i>	<i>Qty.</i>	<i>Description</i>
1	132-0313	1	Arm-Governor	7	132-0342	1	Collar-Stopper
2	132-0319	1	Rod-Governor	8	132-0577	2	Bolt-Flange-5X12
3	132-0323	1	Spring-Governor	9	132-0598	1	Bolt-Governor Arm
4	132-0327	1	Spring-Throttle Return	10	132-0601	1	Screw-Recessed-5X28
5	132-0338	1	Control Base ASM	11	132-4881	1	Nut-Flange-6Mm
6	132-0340	1	Spring-Control Adjusting				

Label Assembly



Label Assembly (continued)

<i>Ref.</i>	<i>Part Number</i>	<i>Qty.</i>	<i>Description</i>	<i>Ref.</i>	<i>Part Number</i>	<i>Qty.</i>	<i>Description</i>
1	132-0562	1	Emblem	3	132-0551	1	Mark-Operator Caution (French)
3	132-0550	1	Mark-Operator Caution (English)	4	132-0558	1	Mark-Operator Caution

Attachments and Accessories

For 02600 HoverPro 400 Mower

Product Name

Model/Part

High-Rise Kit..... 02620

Notes:



Count on it.