



Count on it.

Parts Catalog

HoverPro® 450 Mower

Model No. 02609—Serial No. 313000001 and Up



Ordering Replacement Parts

To order replacement parts, please supply the part number, the quantity, and the description of each part desired.

Understanding Reference Numbers

Each identified part in an illustration has a reference number. The reference number for a part also appears in the parts list, along with other information about the part.

This catalog uses two special reference number formats, one to indicate parts in a service assembly and another to indicate the quantity of a given part in an illustration.

Service Assembly Reference Numbers

Parts in service assemblies have reference numbers in the form a:b. The a represents the reference number of the entire service assembly and the b represents a sequential number unique to each part within the service assembly.

For example, a wheel assembly might be identified by reference number 6, the tire by 6:1, the valve by 6:2, and the wheel by 6:3. When you order the assembly identified by reference number 6, you receive all parts identified by reference numbers 6:1, 6:2, and 6:3. However, you may also order any part individually. Reference numbers of this type appear in illustration and in parts lists.

Reference Numbers Indicating Quantity

In an illustration, if a reference number indicates more than one part, the reference number has the form nX y. The n represents the quantity of the part, the X is the multiplication symbol, and the y represents the reference number.

For example, in an illustration, the reference number 2X 37 means that two of the parts identified by reference number 37 are indicated.

List of Abbreviations

AR: as required

ASM: assembly

BBC: blade brake control

BHTF: button head thread forming

CARR: carriage

CCW: counter clockwise

CW: clockwise

DEG: degrees

DPA: Dual Point Adjustment

ECM: electronic control module

EXT: external

FH: flat head

GA: gauge

HD: heavy-duty

HF: hex flange

HH: hex head

HHF: hex head flange

HHFTF: hex head flange thread forming

HJ: hex jam

HLH: hex lag head

HOC: height-of-cut

HP: high pressure

HSBH: hex socket button head

HSFH: hex socket flat head

HSH: hex socket head

HWH: hex washer head

HWHTF: hex washer head thread forming

HYD: hydraulic

LH: left hand

LP: low pressure

LPG: Liquefied Petroleum Gas

NI: nylon insert

NPTF: national pipe thread fine

PFH: phillips flat head

PPH: phillips pan head

PPHTF: phillips pan head thread forming

PRH: phillips round head

PTH: phillips truss head

PTO: power-take-off

RH: right hand

ROPS: roll-over protection system

RRB: rear roller brush

SFH: slotted fillister head

SHH: slotted hex head

SHWH: slotted hex washer head

SPH: slotted pan head

SQH: square head

SRH: slotted round head

STD: standard

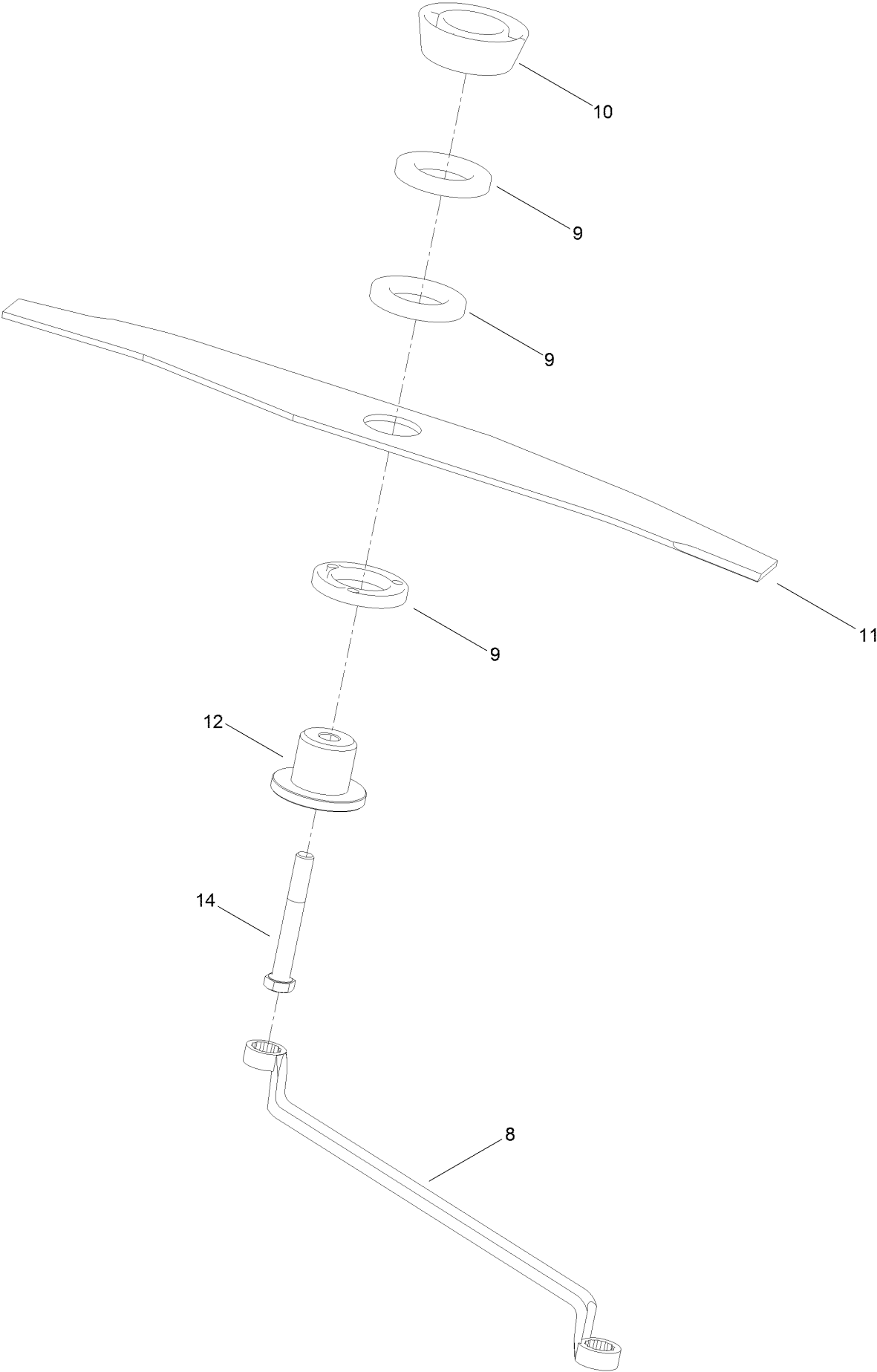
TAP: self tapping

TTH: torx truss head

Contents

Cutting Assembly	4
Engine and Deck Assembly	6
Handle Assembly	8
Cylinder Barrel Assembly	10
Oil Pan Assembly	12
Crankshaft Assembly	14
Piston and Connecting Rod Assembly	16
Camshaft Pulley Assembly	18
Recoil Starter Assembly	20
Fuel Tank and Fuel Pump Assembly	22
Carburetor Assembly	24
Air Cleaner Assembly	26
Muffler Assembly	28
Flywheel and Ignition Coil Assembly	30
Control Assembly	32
Label Assembly	34
Attachments and Accessories	36

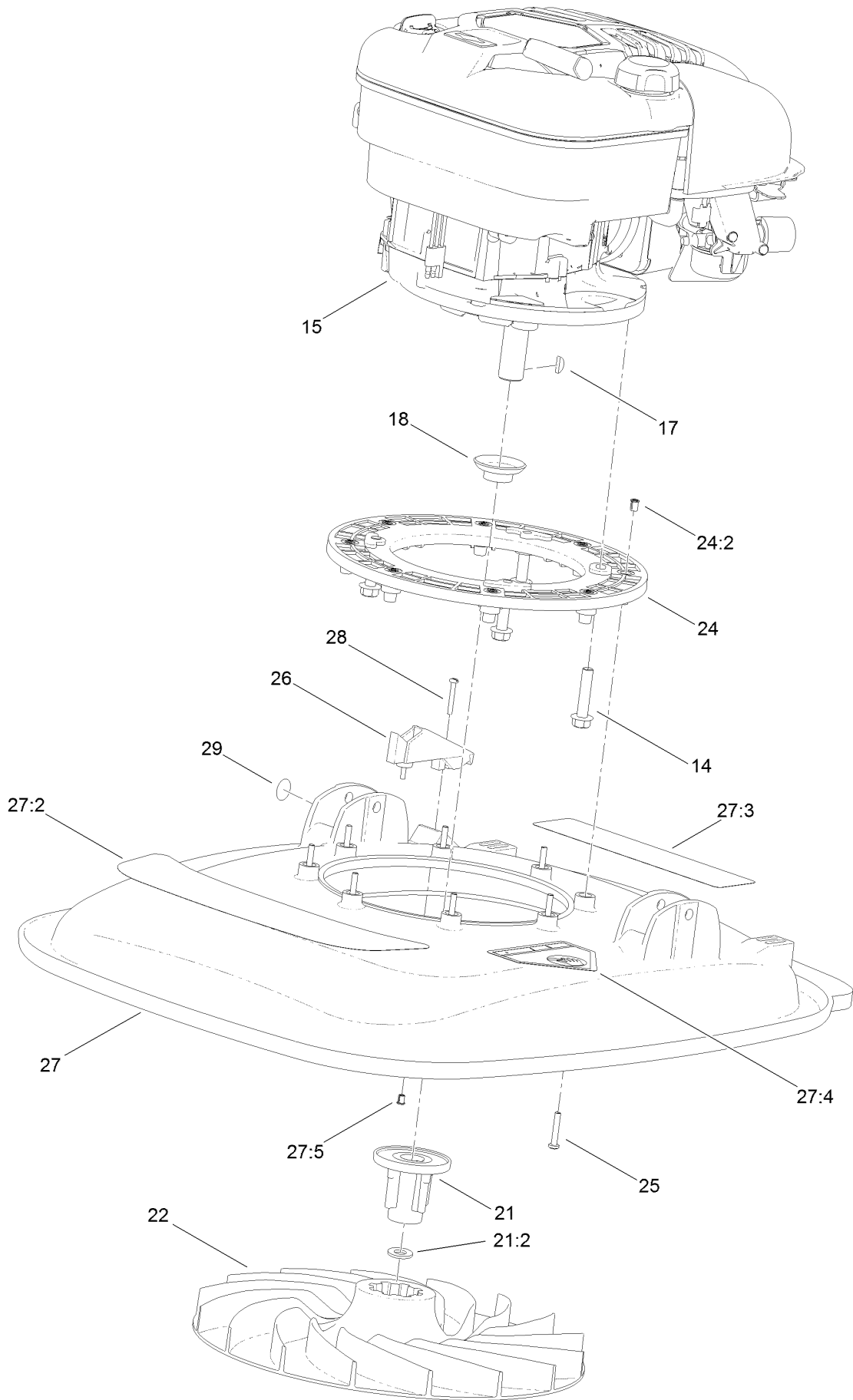
Cutting Assembly



Cutting Assembly (continued)

<i>Ref.</i>	<i>Part Number</i>	<i>Qty.</i>	<i>Description</i>	<i>Ref.</i>	<i>Part Number</i>	<i>Qty.</i>	<i>Description</i>
8	H190210	1	Spanner	11	H192271	1	Blade-46 Cm
9	H192025	6	Spacer-Blade, Aluminium	12	H192272	1	Retainer-Blade
10	H192270	1	Spacer-Distance	14	H292018	1	Screw-Set

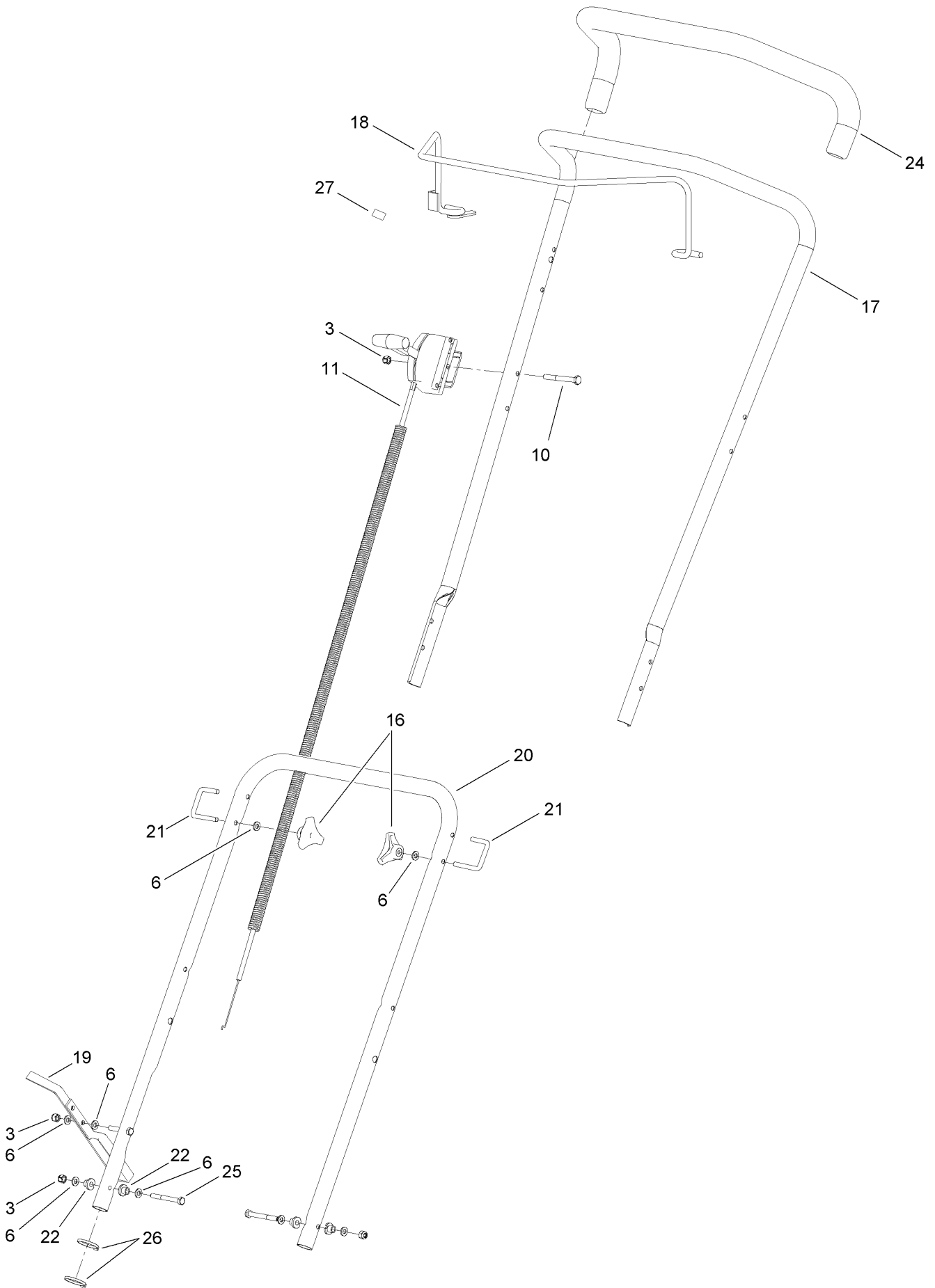
Engine and Deck Assembly



Engine and Deck Assembly (continued)

<i>Ref.</i>	<i>Part Number</i>	<i>Qty.</i>	<i>Description</i>	<i>Ref.</i>	<i>Part Number</i>	<i>Qty.</i>	<i>Description</i>
14	111-2157	4	Screw-Taptite	25	H292004	8	Set-Screw
15	111-2237	1	Engine-Honda	26	H292269	1	Bracket
17	1662	1	Key-Woodruff	27	111-6003	1	Deck ASM
18	H190118	1	Protector-Seal, Oil	27:2	111-5349	1	Decal-Hover Pro
21	H290011	1	Drive And Spacer ASM	27:3	111-5393	1	Decal-Warning
21:2	09479	1	Washer-Plain	27:4	94-8072	1	Decal-Danger
22	H192268	1	Impeller	27:5	H292280	2	Insert
24	H290003	1	Frame-Engine	28	H292279	2	Screw
24:2	H192266	8	Insert-Brass	29	H295124	1	Decal

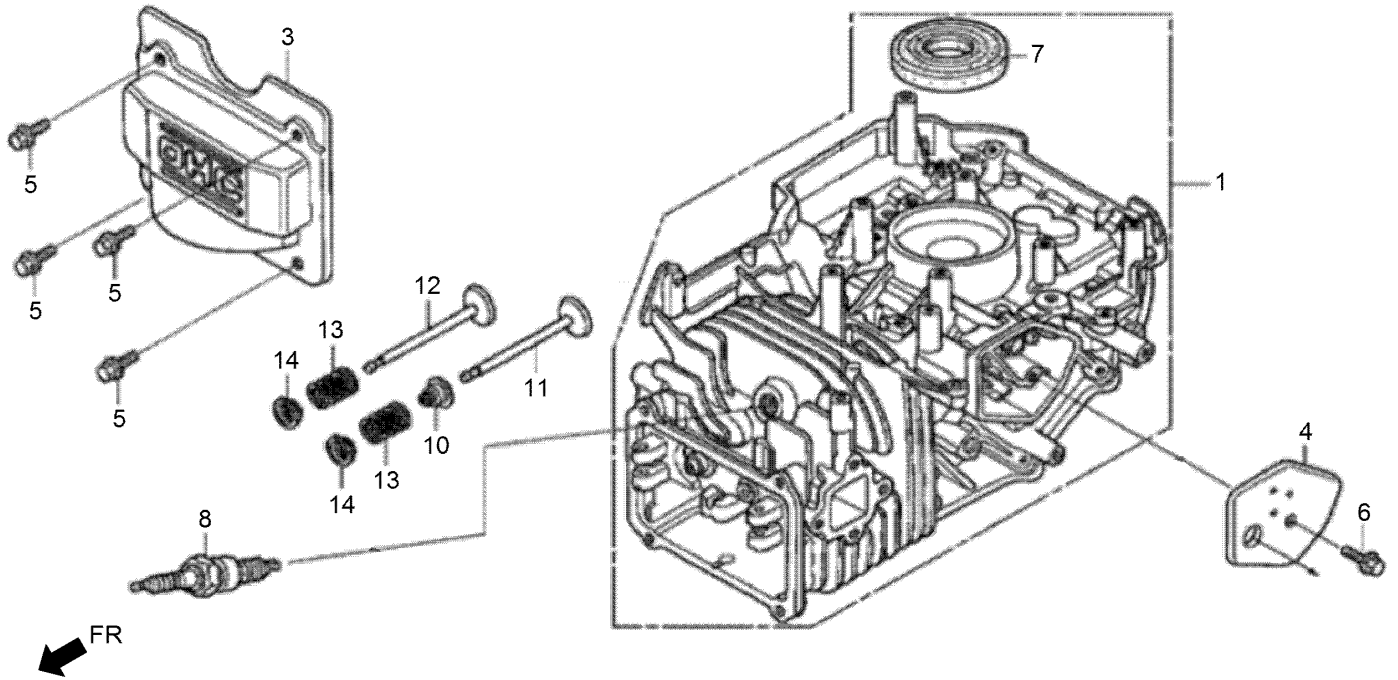
Handle Assembly



Handle Assembly (continued)

<i>Ref.</i>	<i>Part Number</i>	<i>Qty.</i>	<i>Description</i>	<i>Ref.</i>	<i>Part Number</i>	<i>Qty.</i>	<i>Description</i>
3	09544	4	Nut-Nyloc	19	H290286	1	Footstop
6	100.000.630	8	Washer	20	H290288	1	Handle-Lower
10	111-2204	1	Screw-Pan	21	H292026	2	Bolt-U
11	111-2205	1	Throttle Control With Opc ASM	22	H292058	4	Spacer-Handle
16	H192204	2	Handwheel	24	H292276	2	Grip-Handle
17	H290237	1	Handle-Upper	25	H292309	2	Bolt-Hex
18	H290239	1	Arm-Bail	26	HY3966	2	Tie-Cable
				27	H295159	1	Decal-Stop

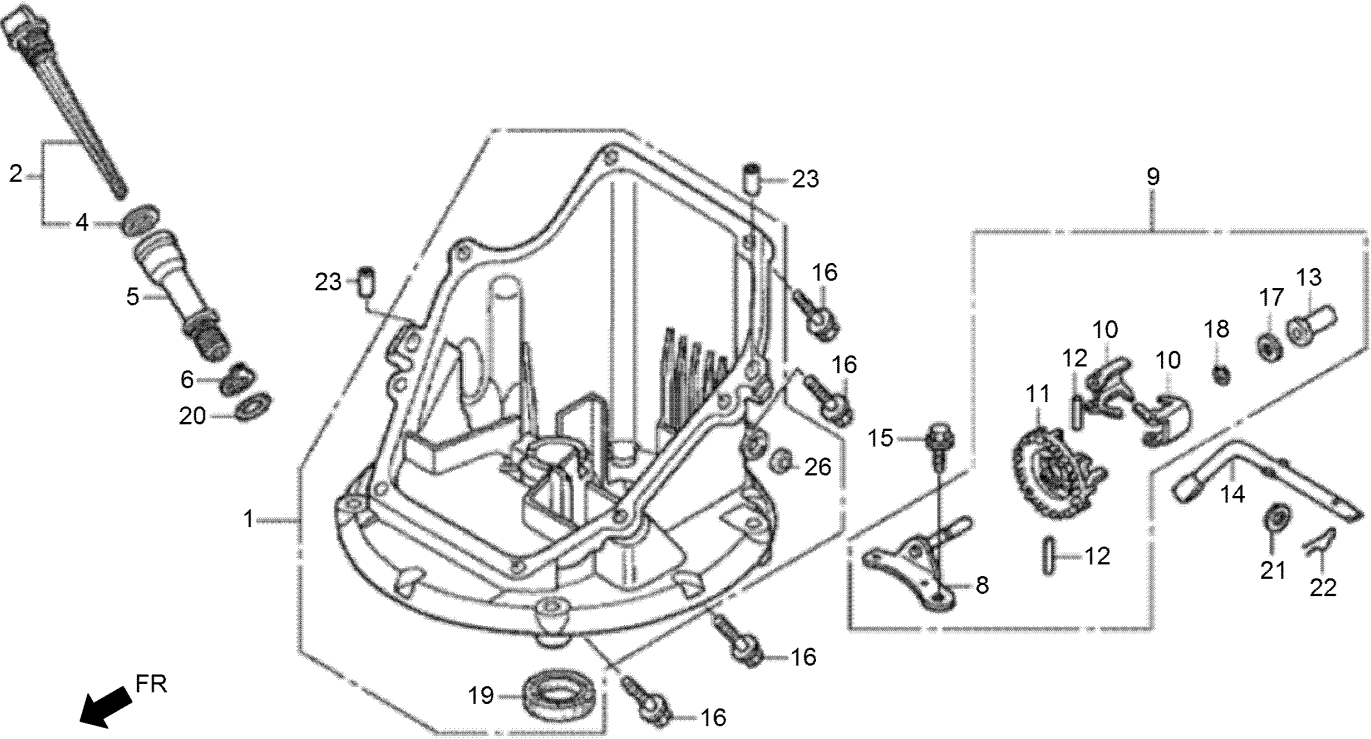
Cylinder Barrel Assembly



Cylinder Barrel Assembly (continued)

<i>Ref.</i>	<i>Part Number</i>	<i>Qty.</i>	<i>Description</i>	<i>Ref.</i>	<i>Part Number</i>	<i>Qty.</i>	<i>Description</i>
1	132-0111	1	Barrel ASM-Cylinder	10	132-0122	1	Seal-Valve Stem
3	132-0129	1	Cover-Head	11	132-0196	1	Valve-Intake
4	132-0131	1	Breather Cover ASM	12	132-0201	1	Valve-Exhaust
5	132-4880	4	Bolt-Flange-6X12	13	132-0207	2	Spring-Valve
6	132-0595	1	Bolt-Flange-6X14	14	132-0211	2	Retainer-Intake Valve Spring
7	132-0655	1	Oil Seal-25.4X62X6				
8	131-8232	1	Sparkplug				

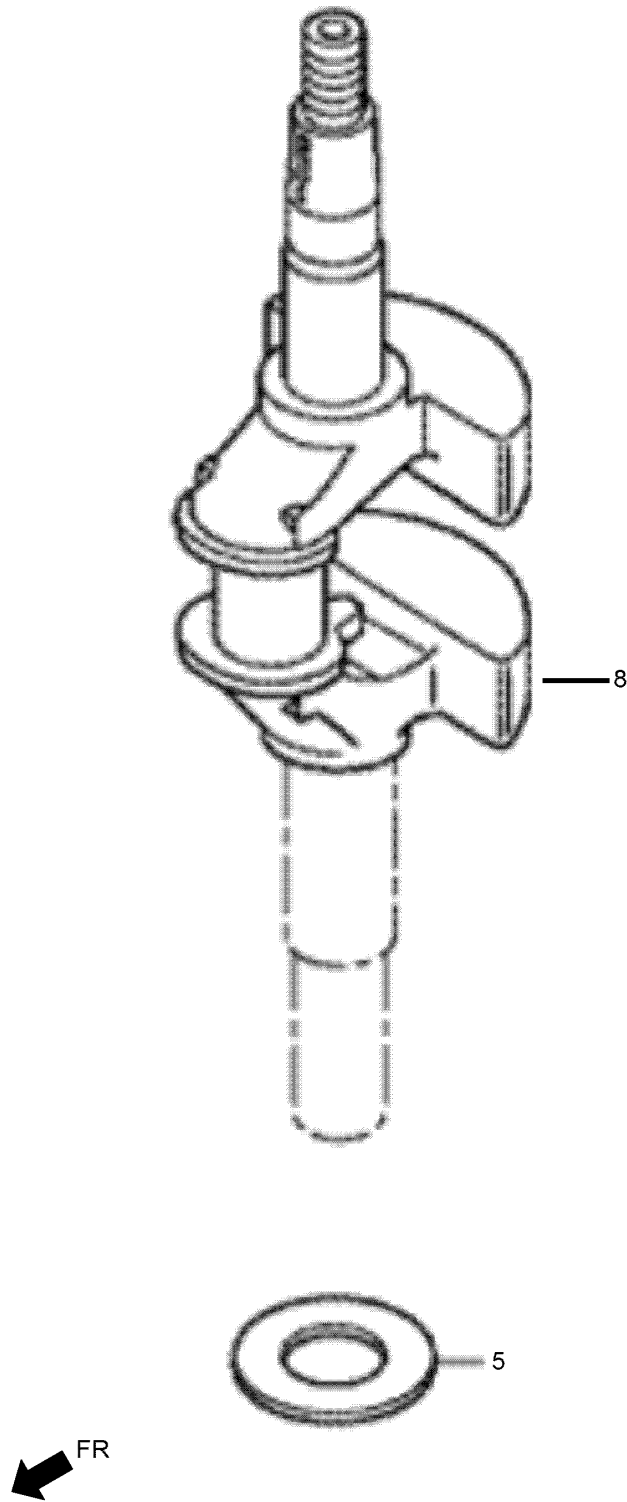
Oil Pan Assembly



Oil Pan Assembly (continued)

<i>Ref.</i>	<i>Part Number</i>	<i>Qty.</i>	<i>Description</i>	<i>Ref.</i>	<i>Part Number</i>	<i>Qty.</i>	<i>Description</i>
1	132-0102	1	Pan ASM-Oil	15	132-0595	1	Bolt-Flange-6X14
2	132-0230	1	Gauge ASM-Oil Level	16	132-0606	8	Bolt-Flange-6X26
4	132-0226	1	Packing-Oil Filler Cap	16	132-0620	8	Bolt-Flange-6X25
5	132-0227	1	Extension-Oil Filler	17	132-0635	1	Washer-Thrust-6Mm
6	132-0229	1	Washer-Extension Lock	18	132-0642	1	Clip-Governor Holder
8	132-0296	1	Governor Holder Shaft ASM	19	132-0660	1	Oil Seal-28X41.25X6
9	132-0297	1	Governor ASM	20	132-0666	1	O-Ring-14.8X2.4
10	132-0299	2	Weight-Governor	21	132-0688	1	Washer-Plain-6Mm
11	132-0301	1	Holder-Governor Weight	22	132-0693	1	Pin-Lock-8Mm
12	132-0303	2	Pin-Governor Weight	23	132-0696	2	Dowel Pin-8X20
13	132-0304	1	Slider-Governor	26	132-0661	1	Oil Seal-6X11X4
14	132-0308	1	Shaft-Governor Arm				

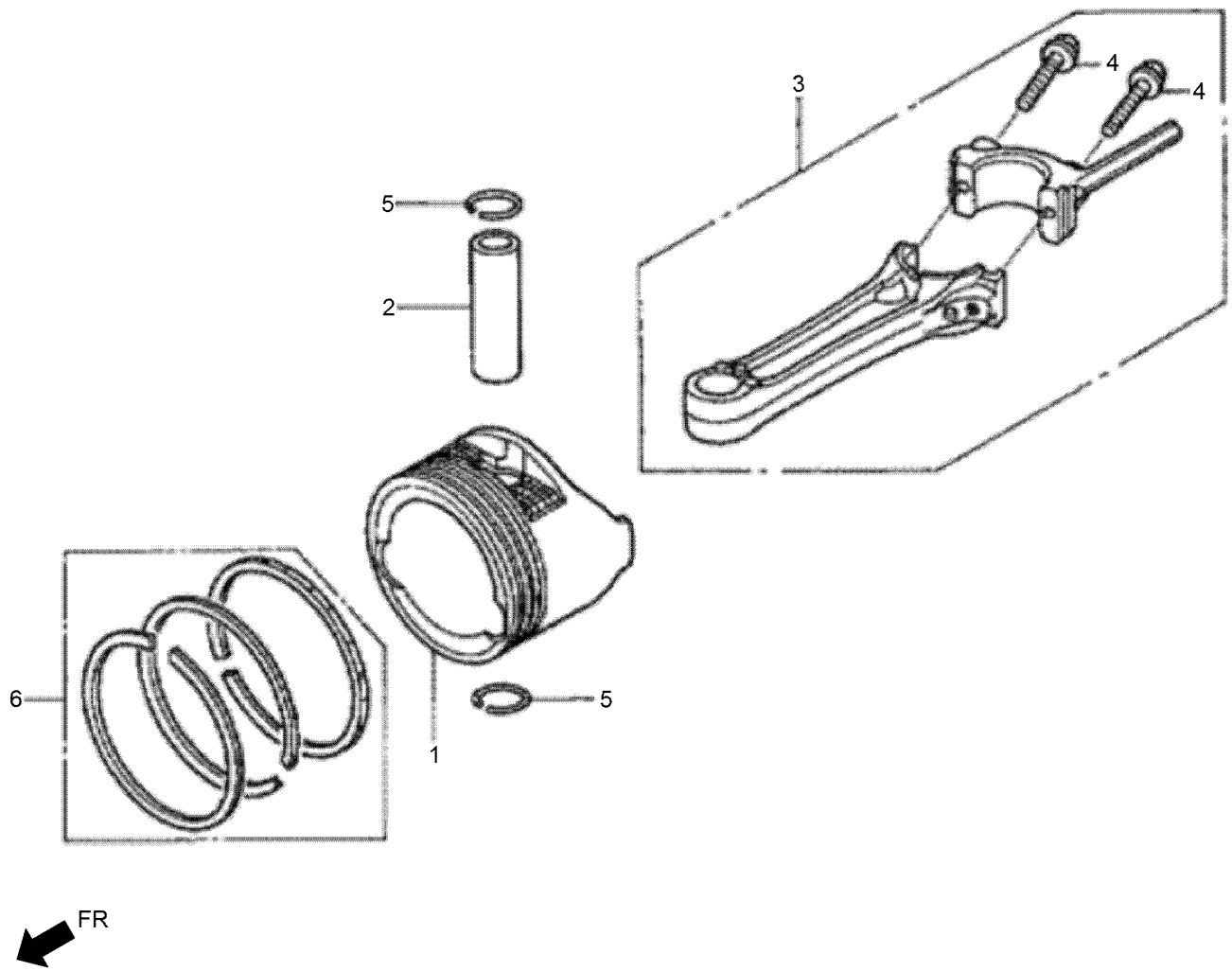
Crankshaft Assembly



Crankshaft Assembly (continued)

<i>Ref.</i>	<i>Part Number</i>	<i>Qty.</i>	<i>Description</i>
5	132-0632	1	Washer-Thrust
8	132-0160	1	Crankshaft ASM

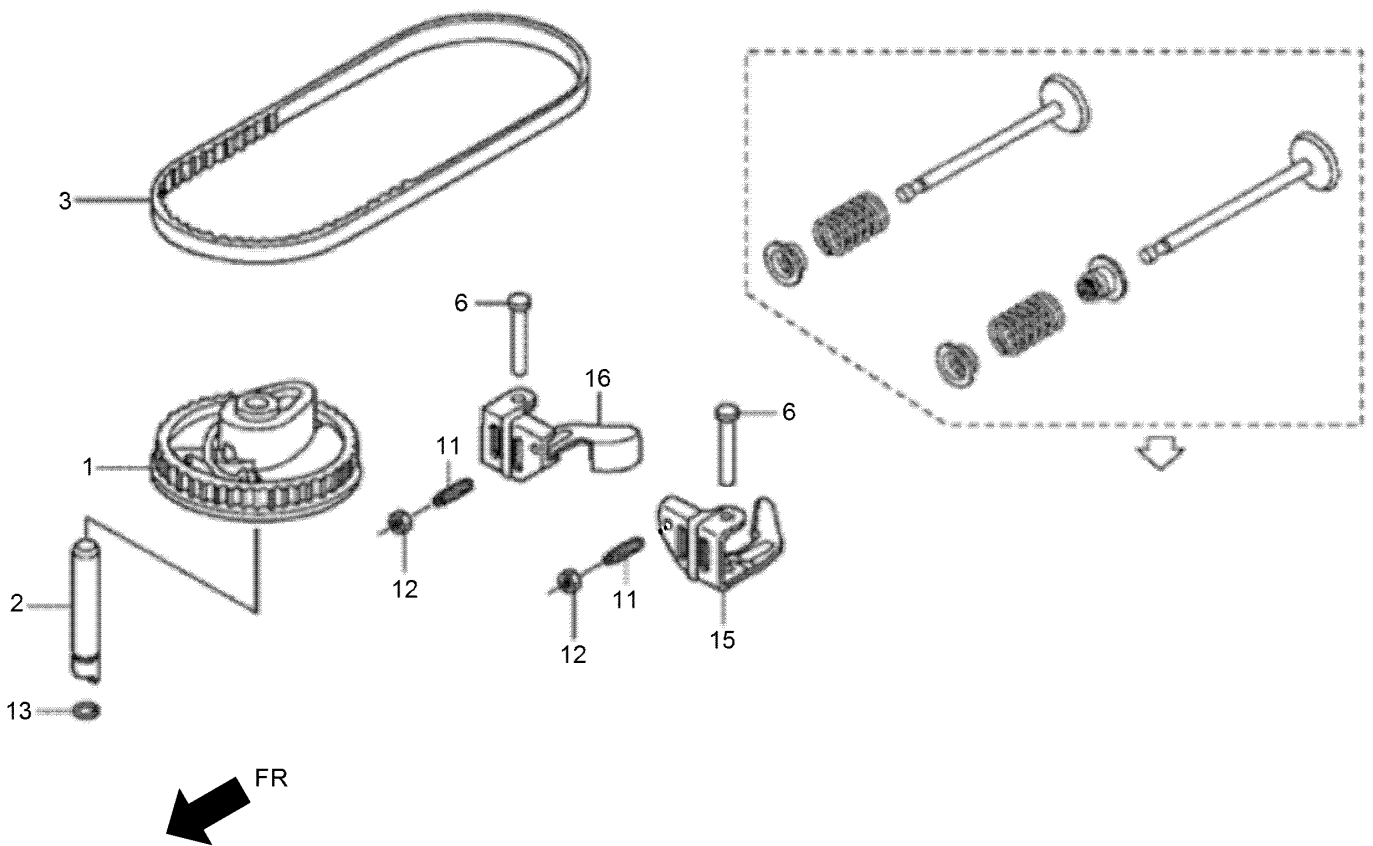
Piston and Connecting Rod Assembly



Piston and Connecting Rod Assembly (continued)

<i>Ref.</i>	<i>Part Number</i>	<i>Qty.</i>	<i>Description</i>	<i>Ref.</i>	<i>Part Number</i>	<i>Qty.</i>	<i>Description</i>
1	132-0143	1	Piston (To S/N 3406723)	3	132-0156	1	Rod ASM-Connecting
1	132-0145	1	Piston (From S/N 3406724)	4	132-0573	2	Bolt-Connecting Rod
2	132-0152	1	Pin-Piston (To S/N 3406723)	5	132-0636	2	Clip-Piston Pin-13Mm
2	132-0149	1	Pin-Piston (From S/N 3406724)	6	132-0136	1	Ring Set-Piston (STD)

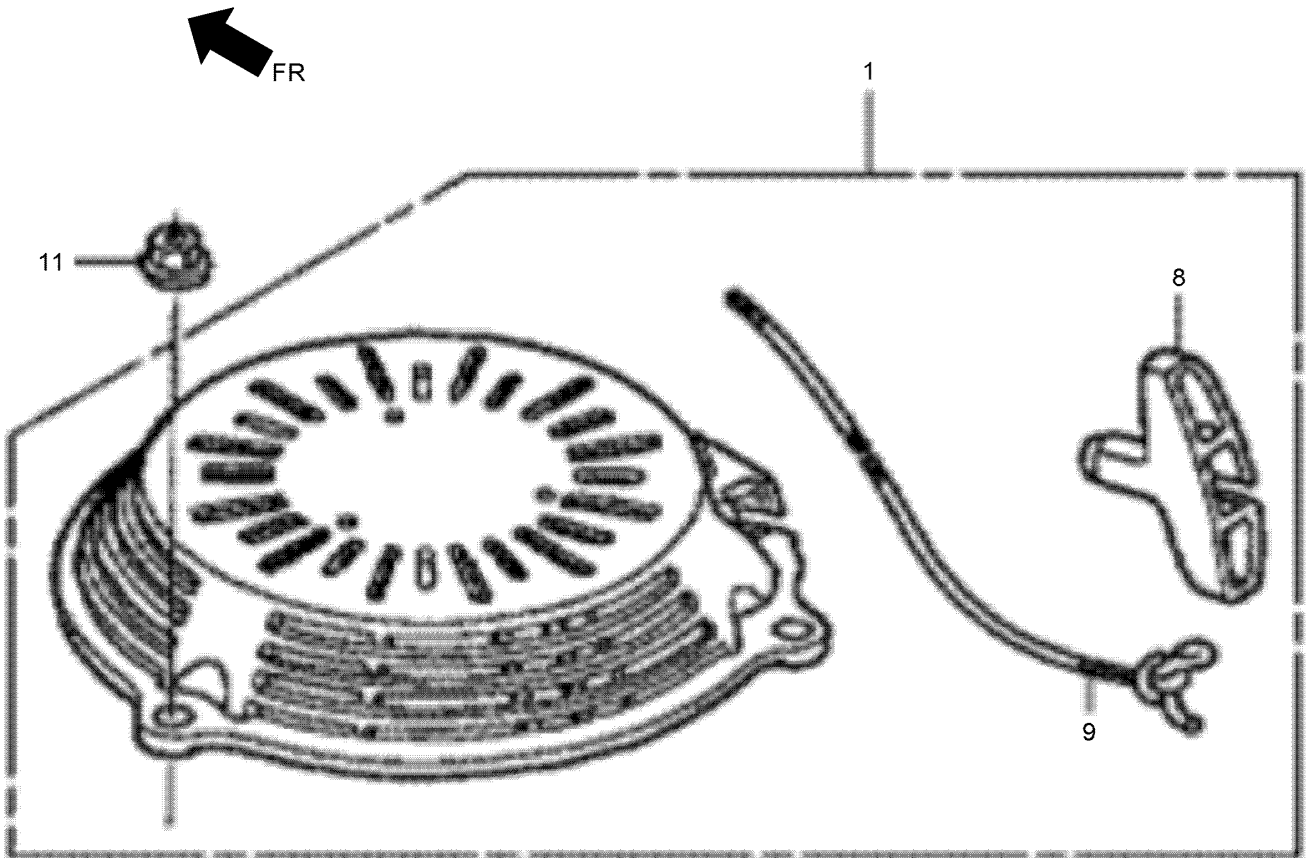
Camshaft Pulley Assembly



Camshaft Pulley Assembly (continued)

<i>Ref.</i>	<i>Part Number</i>	<i>Qty.</i>	<i>Description</i>	<i>Ref.</i>	<i>Part Number</i>	<i>Qty.</i>	<i>Description</i>
1	132-0175	1	Pulley-Camshaft	12	132-0627	2	Nut-Tappet Adjusting
2	132-0177	1	Shaft-Cam Pulley	13	132-0663	1	O-Ring-6.8X1.9
3	132-0179	1	Belt-Timing	15	132-0183	1	Arm-Intake Valve Rocker
6	132-0190	2	Shaft-Rocker Arm	16	132-0187	1	Arm-Exhaust Valve Rocker
11	132-0589	2	Screw-Tappet Adjusting				

Recoil Starter Assembly



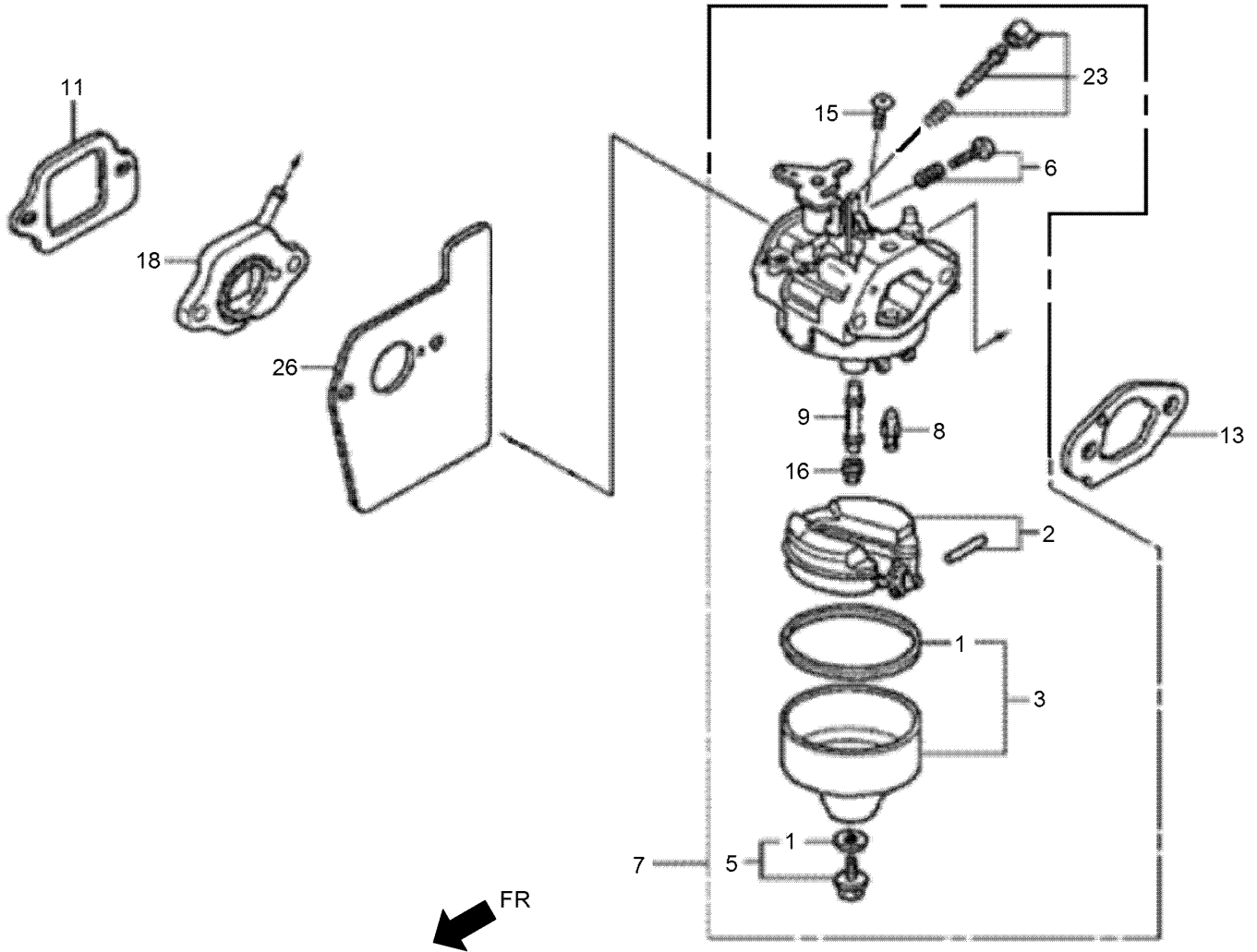
Recoil Starter Assembly (continued)

<i>Ref.</i>	<i>Part Number</i>	<i>Qty.</i>	<i>Description</i>	<i>Ref.</i>	<i>Part Number</i>	<i>Qty.</i>	<i>Description</i>
1	132-0480	1	Starter ASM-Recoil (Nh1)	9	132-0508	1	Rope-Recoil Starter
8	132-0505	1	Grip-Starter	11	132-0626	3	Nut-Flange-6Mm

Fuel Tank and Fuel Pump Assembly (continued)

<i>Ref.</i>	<i>Part Number</i>	<i>Qty.</i>	<i>Description</i>	<i>Ref.</i>	<i>Part Number</i>	<i>Qty.</i>	<i>Description</i>
1	132-0346	1	Pump ASM-Fuel	23	132-0527	1	Collar-Fr Winker
2	132-0347	1	Stay-Fuel Pump	26	132-0607	1	Bolt-Stud
3	132-0349	1	Rubber-Supporter	27	132-0613	2	Bolt-Stud (To S/N 3176791)
4	132-0352	1	Tube-Diaphragm	27	132-0608	2	Bolt-Stud (From S/N 3176792)
5	132-0355	1	Cock ASM-Fuel	28	132-0608	1	Bolt-Stud (From S/N 3176792)
7	132-0357	1	Strainer-Fuel	28	132-0613	1	Bolt-Stud (To S/N 3176791)
9	132-0401	1	Tank-Fuel (From S/N 3406724)	29	132-0639	1	Clip-Purse Lock
10	132-0402	1	Seal-Fuel Filler Neck	30	132-0644	1	Clip-Wire Harness
11	132-0403	1	Clip-Tank Mounting	31	132-0681	1	Screw-Washer-5X10
12	132-0406	1	Rubber A-Tank Mounting (From S/N 3406724)	32	132-0683	2	Screw-Washer-5X14
13	132-0408	1	Rubber B-Tank Mounting (From S/N 3406724)	34	132-4881	1	Nut-Flange-6Mm
14	132-0409	1	Nut-Tank Mounting	37	132-0699	2	Clip-Tube
15	132-0410	1	Cap ASM-Fuel Tank	38	131-8209	3	Clip-Tube
16	132-0432	1	Gauge-Fuel Level (From S/N 3406724)	43	131-8214	1	Clip-Tube
17	132-0433	1	Tube-Fuel Tank	44	131-8215	1	Clip-Tube
19	132-0440	1	Tube-Fuel	45	131-8216	1	Clip-Tube
20	132-0441	1	Tube B-Fuel	46	131-8217	1	Tube-Vinyl-9X11X210
21	132-0462	1	Fan Cover ASM (Nh1)	47	131-8219	1	Tube-Vinyl-13X15X90
22	132-0471	3	Collar-Fan Cover	50	132-0101	1	Tank Kit-Fuel (To S/N 3406723)

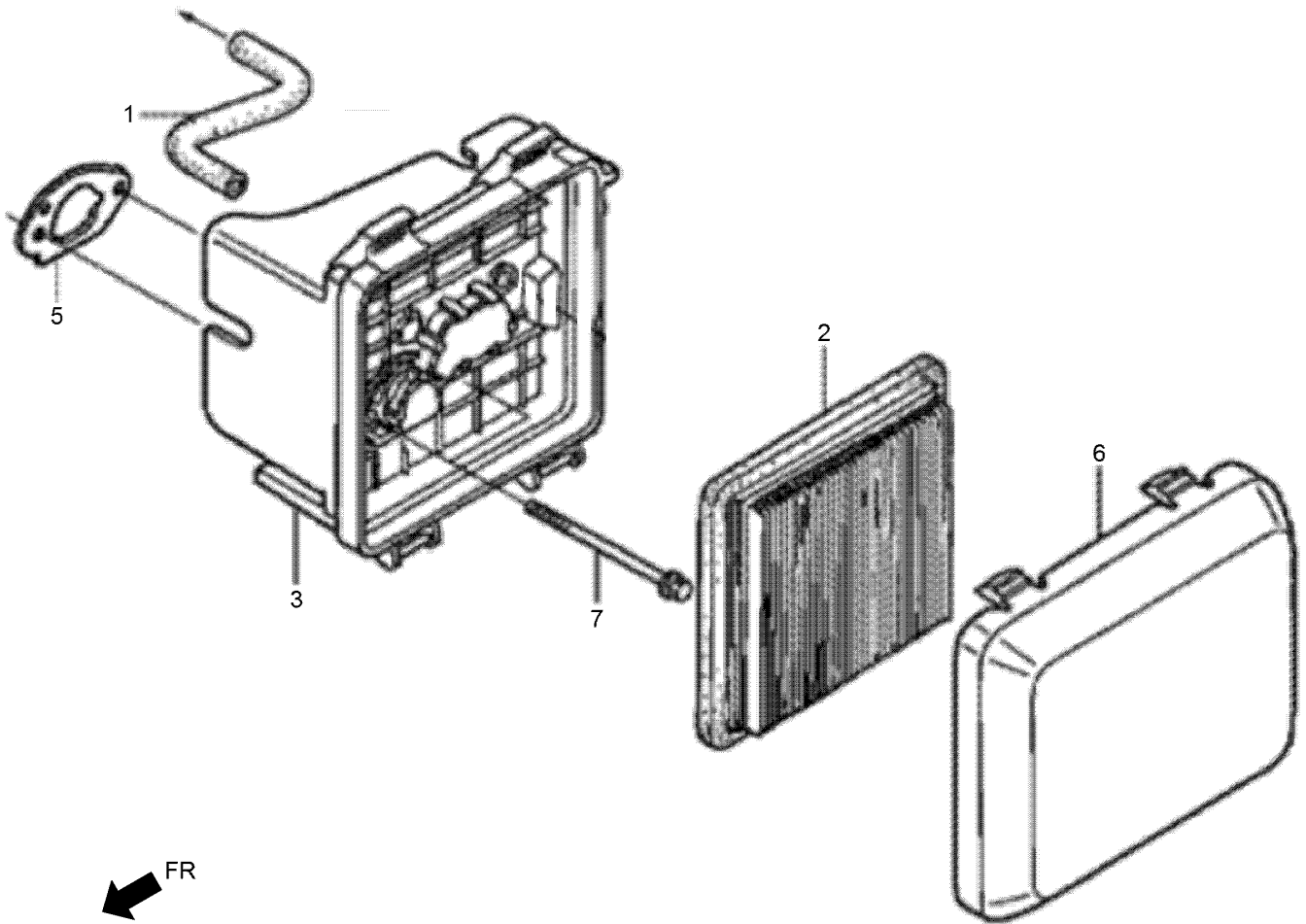
Carburetor Assembly



Carburetor Assembly (continued)

<i>Ref.</i>	<i>Part Number</i>	<i>Qty.</i>	<i>Description</i>	<i>Ref.</i>	<i>Part Number</i>	<i>Qty.</i>	<i>Description</i>
1	132-0238	1	Packing Set	8	132-0270	1	Valve-Float
2	132-0244	1	Float Set	9	132-0271	1	Nozzle-Main (Bb65V A)
3	132-0246	1	Chamber Set-Float	9	132-0273	1	Nozzle-Main (Bb62W C)
5	132-0254	1	Screw Set	11	132-0282	1	Packing-Insulator
6	132-0256	1	Screw Set	13	132-0289	1	Packing-Carburetor
7	132-0263	1	Carburetor ASM (Bb62Y B) (To S/N 3276088)	15	132-0677	1	Screw-Pan-5X6
7	132-0264	1	Carburetor ASM (Bb62Y C) (From S/N 3276089 To 3406723)	16	131-8234	1	Jet-Main No. 62
7	132-0267	1	Carburetor ASM (Bb65V A) (From S/N 3406724)	16	131-8235	1	Jet-Main No. 65
				18	132-0277	1	Carburetor Insulator ASM
				23	132-0249	1	Screw Set
				26	132-0476	1	Guide-Air

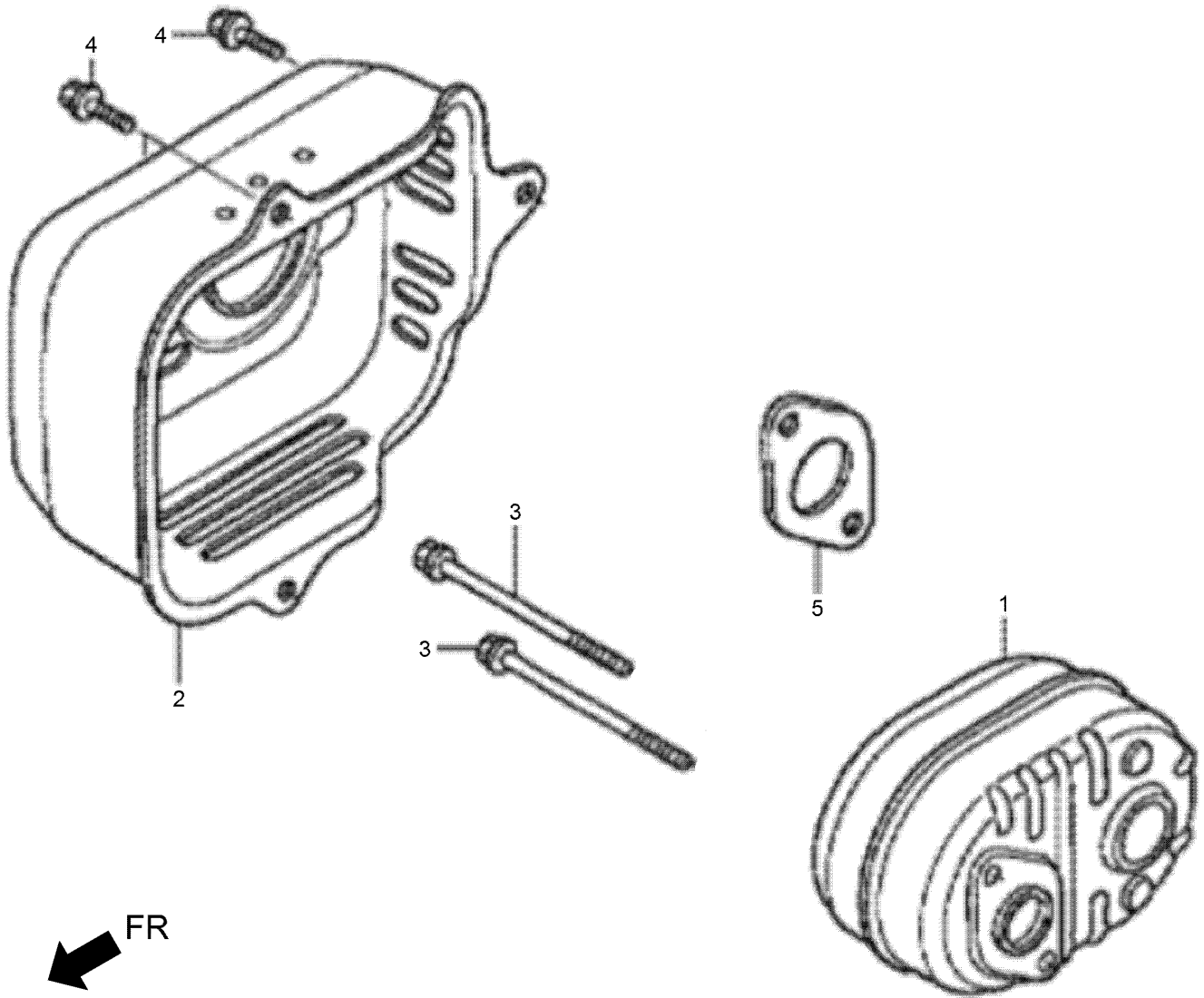
Air Cleaner Assembly



Air Cleaner Assembly (continued)

<i>Ref.</i>	<i>Part Number</i>	<i>Qty.</i>	<i>Description</i>	<i>Ref.</i>	<i>Part Number</i>	<i>Qty.</i>	<i>Description</i>
1	132-0235	1	Tube-Breather	5	132-0381	1	Packing-Air Cleaner
2	132-0370	1	Element-Air Cleaner	6	132-0385	1	Cover-Air Cleaner
3	132-0375	1	Air Cleaner Case ASM (To S/N 3091165)	7	132-0581	2	Bolt-Flange-6X85
3	132-0376	1	Air Cleaner Case ASM (From S/N 3091166)				

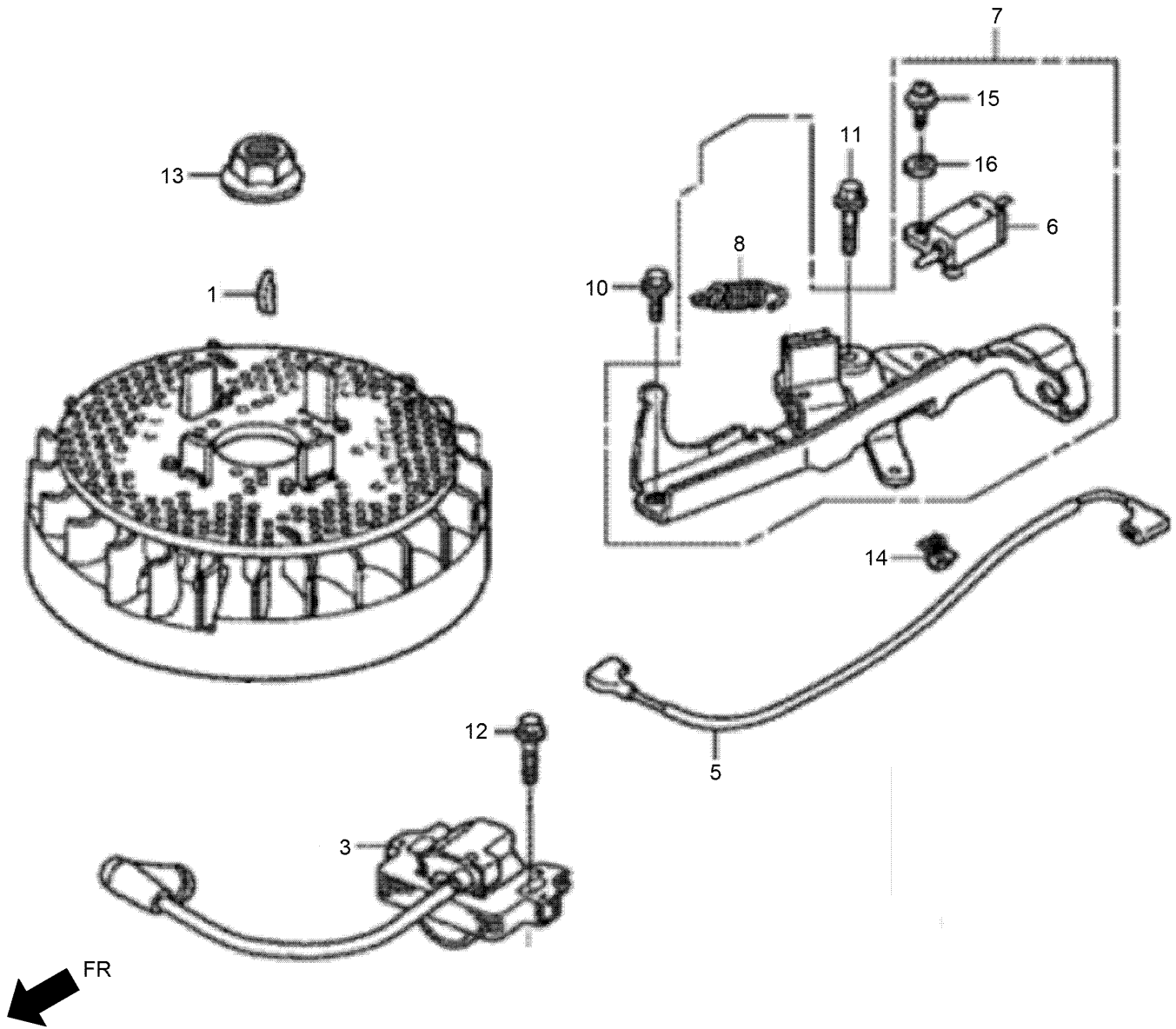
Muffler Assembly



Muffler Assembly (continued)

<i>Ref.</i>	<i>Part Number</i>	<i>Qty.</i>	<i>Description</i>	<i>Ref.</i>	<i>Part Number</i>	<i>Qty.</i>	<i>Description</i>
1	132-0448	1	Muffler	4	132-4880	3	Bolt-Flange-6X12
2	132-0451	1	Muffler Protector ASM	5	132-0458	1	Gasket-Muffler
3	132-0584	2	Bolt-Flange-6X79				

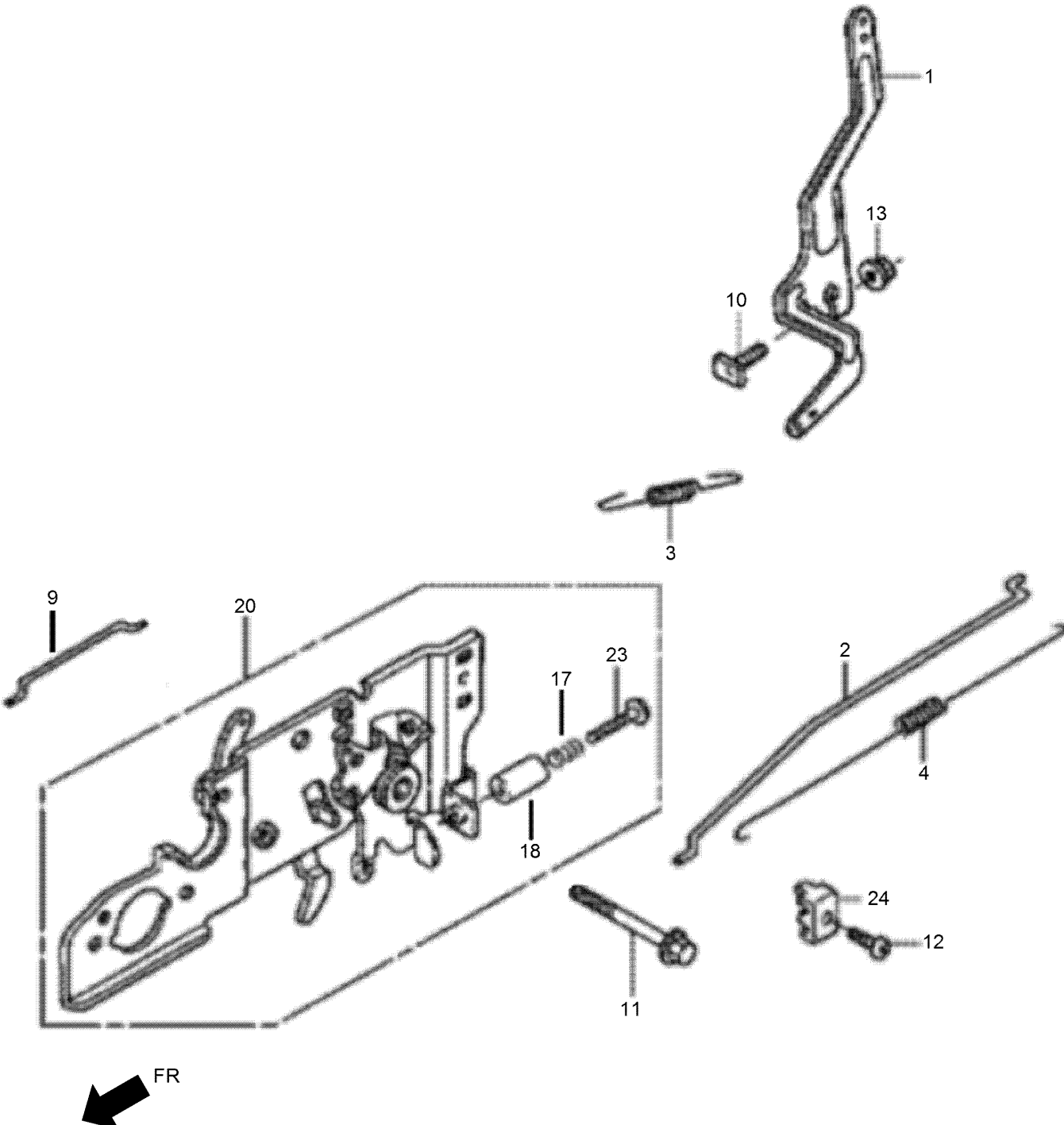
Flywheel and Ignition Coil Assembly



Flywheel and Ignition Coil Assembly (continued)

<i>Ref.</i>	<i>Part Number</i>	<i>Qty.</i>	<i>Description</i>	<i>Ref.</i>	<i>Part Number</i>	<i>Qty.</i>	<i>Description</i>
1	132-0167	1	Key-Special Woodruff-25X18	8	132-0538	1	Spring-Brake Lever
3	132-0512	1	Coil ASM-Ignition	10	132-0595	1	Bolt-Flange-6X14
5	132-0525	1	Cord-Stop Switch	11	132-0603	1	Bolt-Flange-6X23
6	132-0531	1	Switch ASM-Engine Stop	12	132-0605	1	Bolt-Flange-6X20
7	132-0535	1	Brake ASM (From S/N 3238210)	13	132-0625	1	Nut-Special-14Mm
7	132-0536	1	Brake ASM (To S/N 3238209)	14	132-0645	1	Clip A-Cable
				15	132-0682	1	Screw-Washer-4X12
				16	132-0689	1	Washer-Plain-4Mm

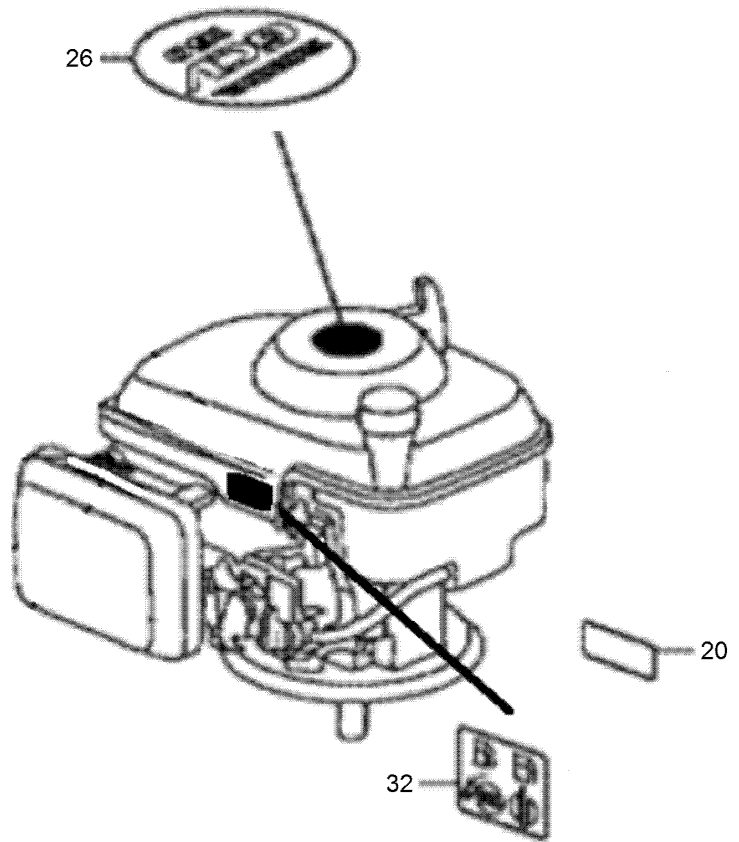
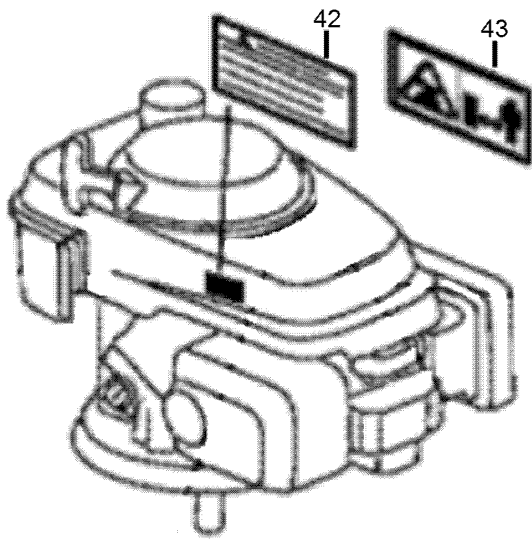
Control Assembly



Control Assembly (continued)

<i>Ref.</i>	<i>Part Number</i>	<i>Qty.</i>	<i>Description</i>	<i>Ref.</i>	<i>Part Number</i>	<i>Qty.</i>	<i>Description</i>
1	132-0312	1	Arm-Governor	12	132-0678	1	Screw-Pan-5X16
2	132-0317	1	Rod-Governor	13	132-4881	1	Nut-Flange-6Mm
3	132-0321	1	Spring-Governor	17	132-0340	1	Spring-Control Adjusting
4	132-0325	1	Spring-Throttle Return	18	132-0342	1	Collar-Stopper
9	132-0345	1	Rod-Choke	20	132-0335	1	Control Base ASM
10	132-0598	1	Bolt-Governor Arm	23	132-0601	1	Screw-Recessed-5X28
11	132-0602	1	Bolt-Flange-6X45	24	132-0344	1	Holder-Cable

Label Assembly



Label Assembly (continued)

<i>Ref.</i>	<i>Part Number</i>	<i>Qty.</i>	<i>Description</i>	<i>Ref.</i>	<i>Part Number</i>	<i>Qty.</i>	<i>Description</i>
20	132-0544	1	Label-Warning	42	132-0568	1	Mark-Exhaust Caution (English)
26	132-0539	1	Mark-Emblem	43	132-0569	1	Mark-Exhaust Caution
32	132-0565	1	Mark-Fuel Cock Caution				

Attachments and Accessories

For 02609 HoverPro 450 Mower

Product Name	Model/Part
High-Rise Kit.....	02619
Transport Wheel Kit	02622
Handlebar Extension Kit	02623
Anti-Vibration Handlebar Kit	02624

Notes:

Notes:

Notes:



Count on it.