



Count on it.

Parts Catalog

GreensPro™ 1240 Greens Roller

Model No. 44912—Serial No. 314000001 and Up



Ordering Replacement Parts

To order replacement parts, please supply the part number, the quantity, and the description of each part desired.

Understanding Reference Numbers

Each identified part in an illustration has a reference number. The reference number for a part also appears in the parts list, along with other information about the part.

This catalog uses two special reference number formats, one to indicate parts in a service assembly and another to indicate the quantity of a given part in an illustration.

Service Assembly Reference Numbers

Parts in service assemblies have reference numbers in the form a:b. The a represents the reference number of the entire service assembly and the b represents a sequential number unique to each part within the service assembly.

For example, a wheel assembly might be identified by reference number 6, the tire by 6:1, the valve by 6:2, and the wheel by 6:3. When you order the assembly identified by reference number 6, you receive all parts identified by reference numbers 6:1, 6:2, and 6:3. However, you may also order any part individually. Reference numbers of this type appear in illustration and in parts lists.

Reference Numbers Indicating Quantity

In an illustration, if a reference number indicates more than one part, the reference number has the form nX y. The n represents the quantity of the part, the X is the multiplication symbol, and the y represents the reference number.

For example, in an illustration, the reference number 2X 37 means that two of the parts identified by reference number 37 are indicated.

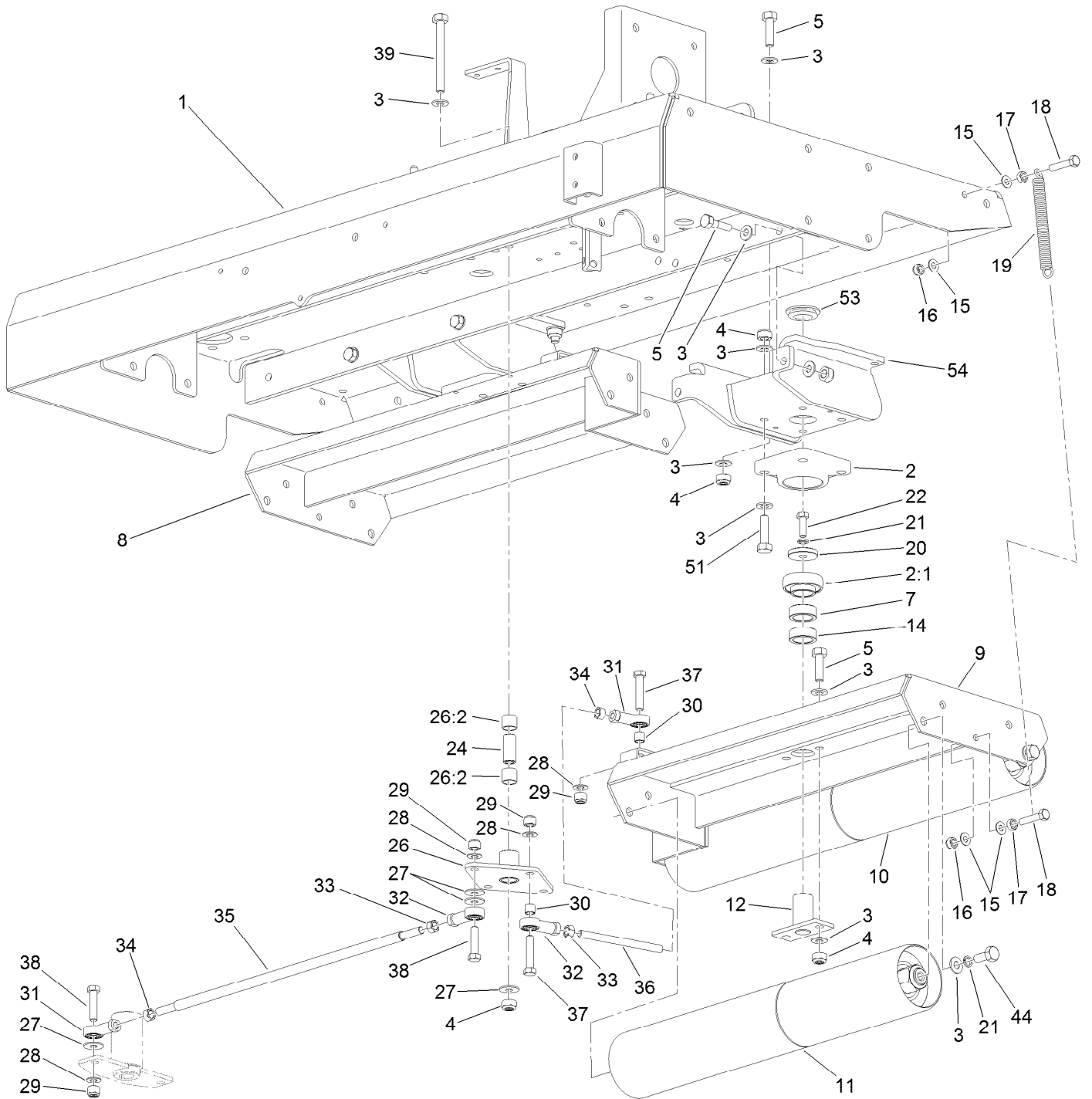
List of Abbreviations

| | | |
|--|--|--|
| AR: as required | HLH: hex lag head | PTO: power-take-off |
| ASM: assembly | HOC: height-of-cut | RH: right hand |
| BBC: blade brake control | HSBH: hex socket button head | ROPS: roll-over protection system |
| BHTF: button head thread forming | HSFH: hex socket flat head | RRB: rear roller brush |
| CARR: carriage | HSH: hex socket head | SFH: slotted fillister head |
| CCW: counter clockwise | HWH: hex washer head | SHH: slotted hex head |
| CW: clockwise | HWHTF: hex washer head thread forming | SHWH: slotted hex washer head |
| DEG: degrees | HYD: hydraulic | SPH: slotted pan head |
| DPA: Dual Point Adjustment | LH: left hand | SQH: square head |
| ECM: electronic control module | LP: Liquefied Petroleum Gas | SRH: slotted round head |
| EXT: external | LPG: Liquefied Petroleum Gas | STD: standard |
| FH: flat head | NI: nylon insert | TAP: self tapping |
| GA: gauge | NPTF: national pipe thread fine | TTH: torx truss head |
| HD: heavy-duty | PFH: phillips flat head | |
| HF: hex flange | PPH: phillips pan head | |
| HH: hex head | PPHTF: phillips pan head thread forming | |
| HHF: hex head flange | PRH: phillips round head | |
| HHFTF: hex head flange thread forming | PTH: phillips truss head | |
| HJ: hex jam | | |

Contents

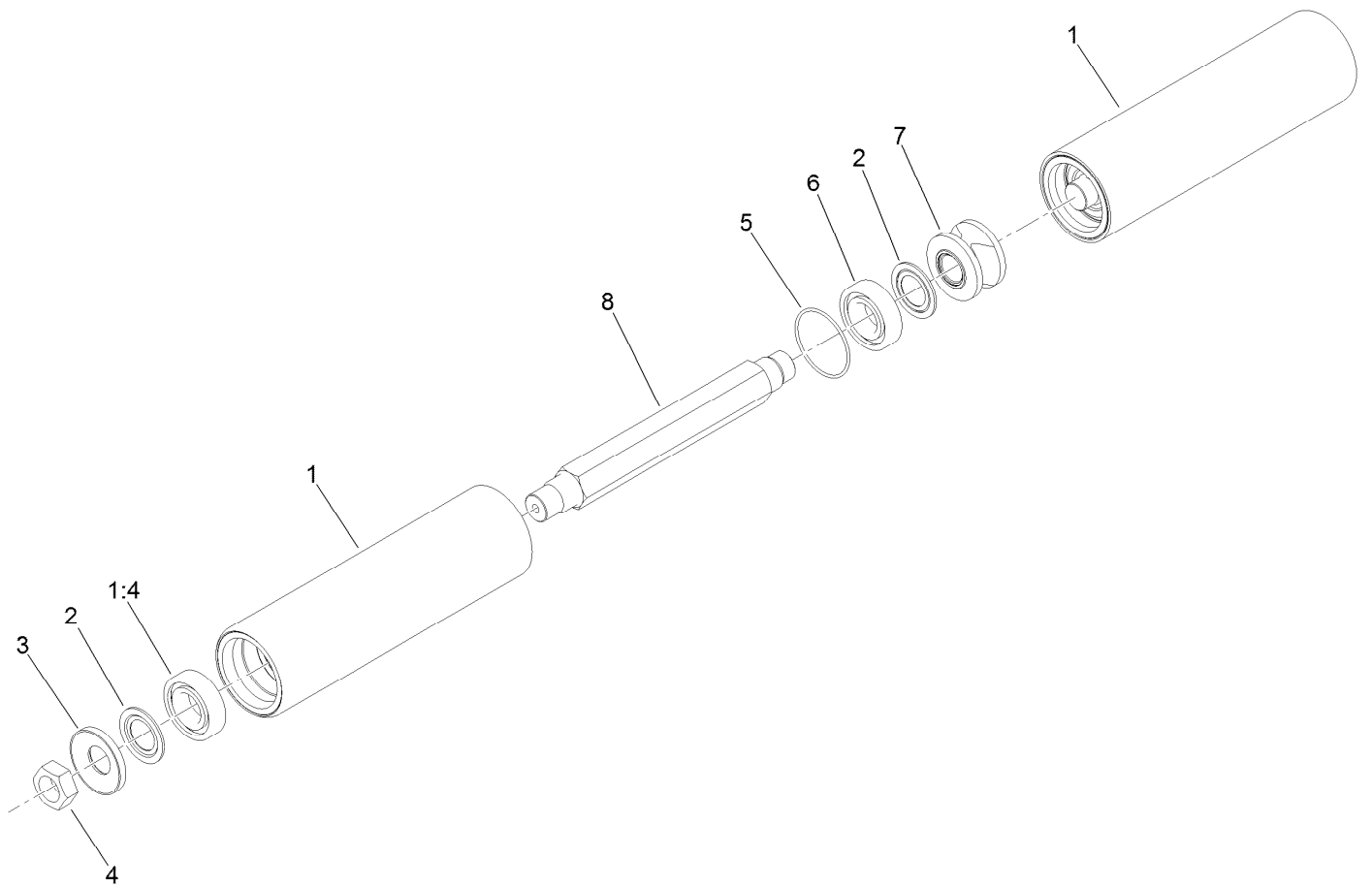
| | |
|--|----|
| Steering Roller Assembly | 4 |
| Complete Long Steering Roller Assembly No. 127-7958 | 6 |
| Complete Short Steering Roller Assembly No. 127-7963 | 7 |
| Hydraulic Tank and Hose Assembly | 8 |
| Drive Roller Assembly | 9 |
| Drive Roller Assembly No. 111-5789 | 10 |
| Engine Assembly | 11 |
| Lifting Mechanism Assembly | 12 |
| Hitch Assembly | 13 |
| Seat Assembly | 15 |
| Steering Wheel Assembly | 17 |
| Transmission Control Assembly | 18 |
| Transmission Assembly No. 111-6000 | 20 |
| Attachments and Accessories | 22 |

Steering Roller Assembly



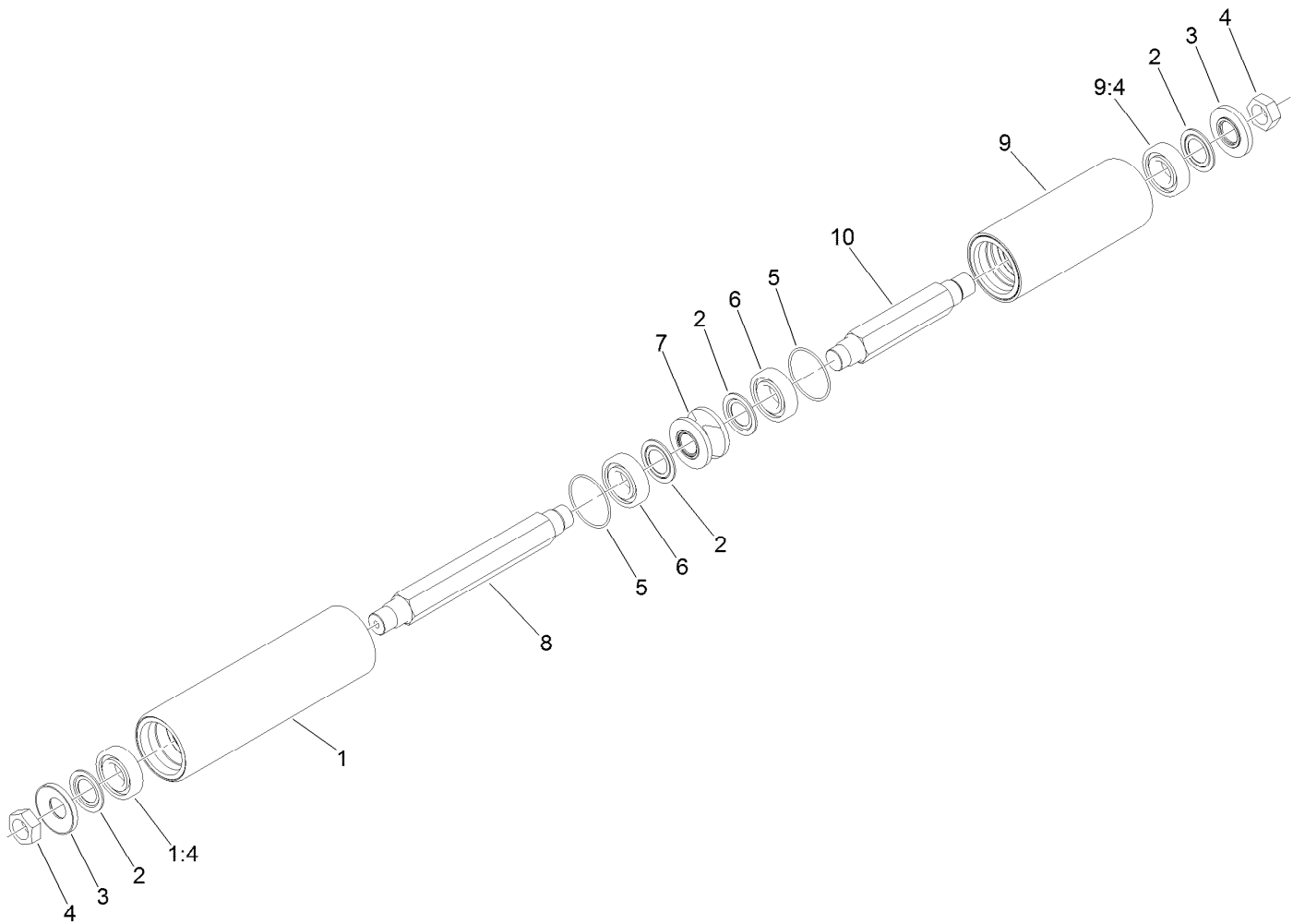
Steering Roller Assembly (continued)

| <i>Ref.</i> | <i>Part Number</i> | <i>Qty.</i> | <i>Description</i> | <i>Ref.</i> | <i>Part Number</i> | <i>Qty.</i> | <i>Description</i> |
|-------------|--------------------|-------------|---------------------------------------|-------------|--------------------|-------------|---------------------|
| 1 | 127-5836-01 | 1 | Chassis-Roller | 22 | 03162 | 2 | Screw-HH |
| 2 | 111-5753 | 2 | Bearing Housing ASM | 24 | 127-5938 | 1 | Bushing-Pivot |
| 2:1 | 111-5779 | 1 | Bearing | 26 | 127-5949 | 1 | Steering Disc ASM |
| 3 | ZWQ1J000U | 33 | Washer-Plain | 26:2 | 256-311 | 2 | Bushing-Split |
| 4 | ZNN1J000U | 21 | Nut-Hex, NI | 27 | HY03355 | 4 | Washer-Plated |
| 5 | 09394 | 8 | Bolt | 28 | 09271 | 6 | Washer-Plain |
| 7 | 111-5680 | 2 | Bushing-Axle | 29 | 09216 | 6 | Nut-Hex, NI |
| 8 | 111-5707-01 | 1 | Head-Steering, Front | 30 | 111-5684 | 4 | Bushing |
| 9 | 111-5708-01 | 1 | Head-Steering, Rear | 31 | 111-5748 | 3 | Joint-Ball |
| 10 | 127-7958 | 2 | Complete Long Steering Roller ASM | 32 | 111-5959 | 3 | Joint-Ball |
| 11 | 127-7963 | 2 | Complete Short Steering Roller ASM | 33 | 111-5855 | 3 | Nut-Hex, LH |
| 12 | 111-5688 | 2 | Shaft-Pivot | 34 | 09213 | 3 | Nut |
| 14 | 111-6108 | 2 | Bushing-Axle | 35 | 111-5692 | 1 | Rod-Pivot, Steering |
| 15 | 09475 | 8 | Washer | 36 | 111-5690 | 2 | Arm-Linkage |
| 16 | 09441 | 4 | Nut-Hex, NI | 37 | 09119 | 4 | Bolt |
| 17 | ZNH1H000U | 4 | Nut-Hex | 38 | 09118 | 2 | Bolt-HH |
| 18 | 09681 | 4 | Bolt | 39 | ZBH1J095U | 1 | Bolt-HH |
| 19 | 111-5883 | 2 | Spring-Extension | 44 | 09395 | 8 | Screw-HH |
| 20 | 111-5674 | 2 | Collar-Fixing | 51 | 09611 | 8 | Bolt-HH |
| 21 | 09480 | 10 | Washer-Spring | 53 | 107-3532 | 2 | Grommet |
| | | | | 54 | 131-1572-01 | 2 | Support-Roller |



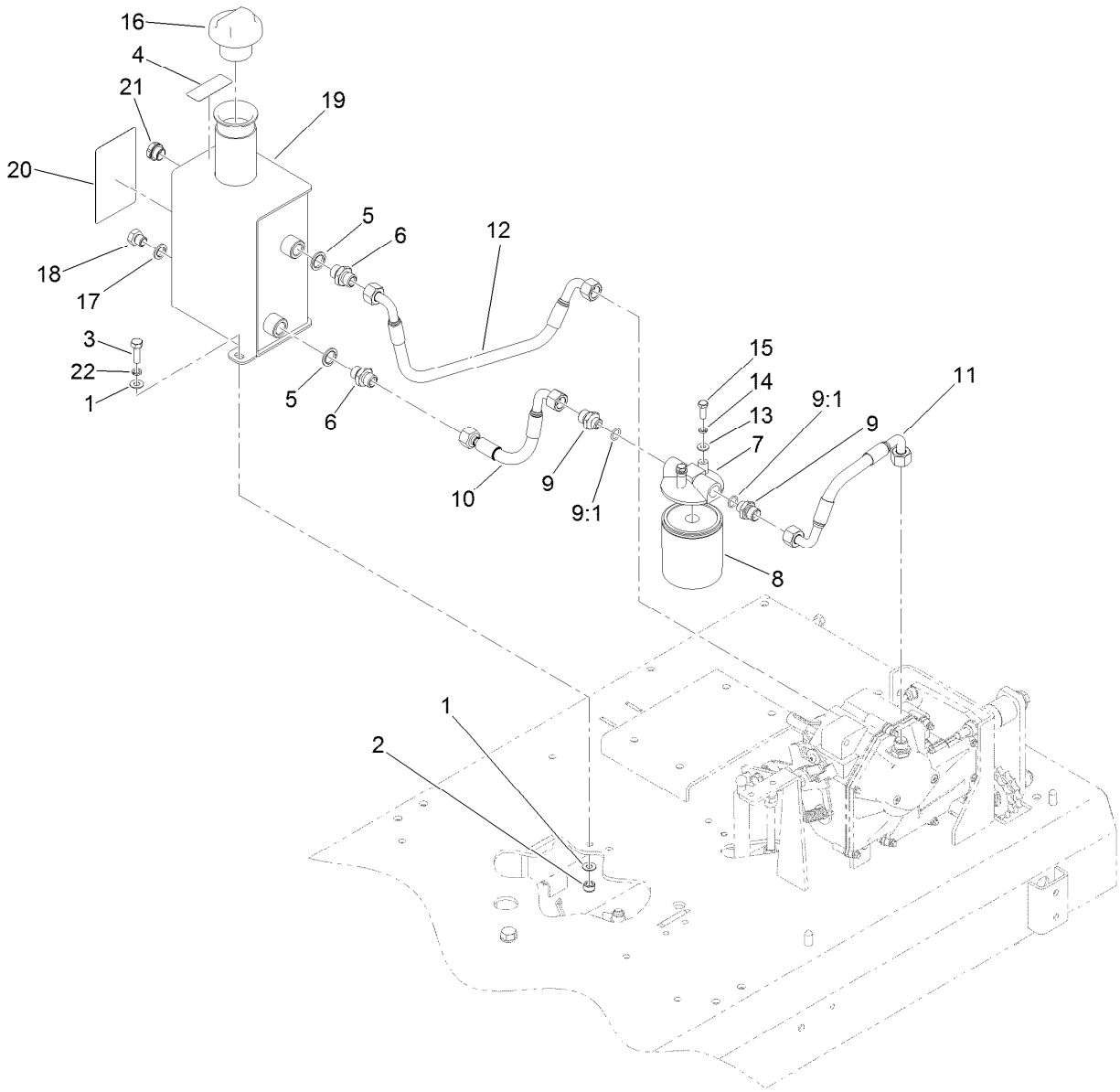
Complete Long Steering Roller Assembly No. 127-7958

| <i>Ref.</i> | <i>Part Number</i> | <i>Qty.</i> | <i>Description</i> |
|-------------|--------------------|-------------|--------------------------|
| 1 | 127-7966 | 2 | Long Steering Roller ASM |
| 1:4 | 115-3296 | 1 | Bearing-Sealed |
| 2 | 115-3299 | 4 | Seal-Flocked |
| 3 | 127-7959 | 2 | Spacer-Bearing |
| 4 | 3296-49 | 2 | Nut-Lock, NI |
| 5 | 117-8177 | 2 | O-Ring |
| 6 | 115-3296 | 2 | Bearing-Sealed |
| 7 | 127-7960 | 1 | Sleeve-Roller |
| 8 | 127-7961 | 2 | Shaft-Roller |



Complete Short Steering Roller Assembly No. 127-7963

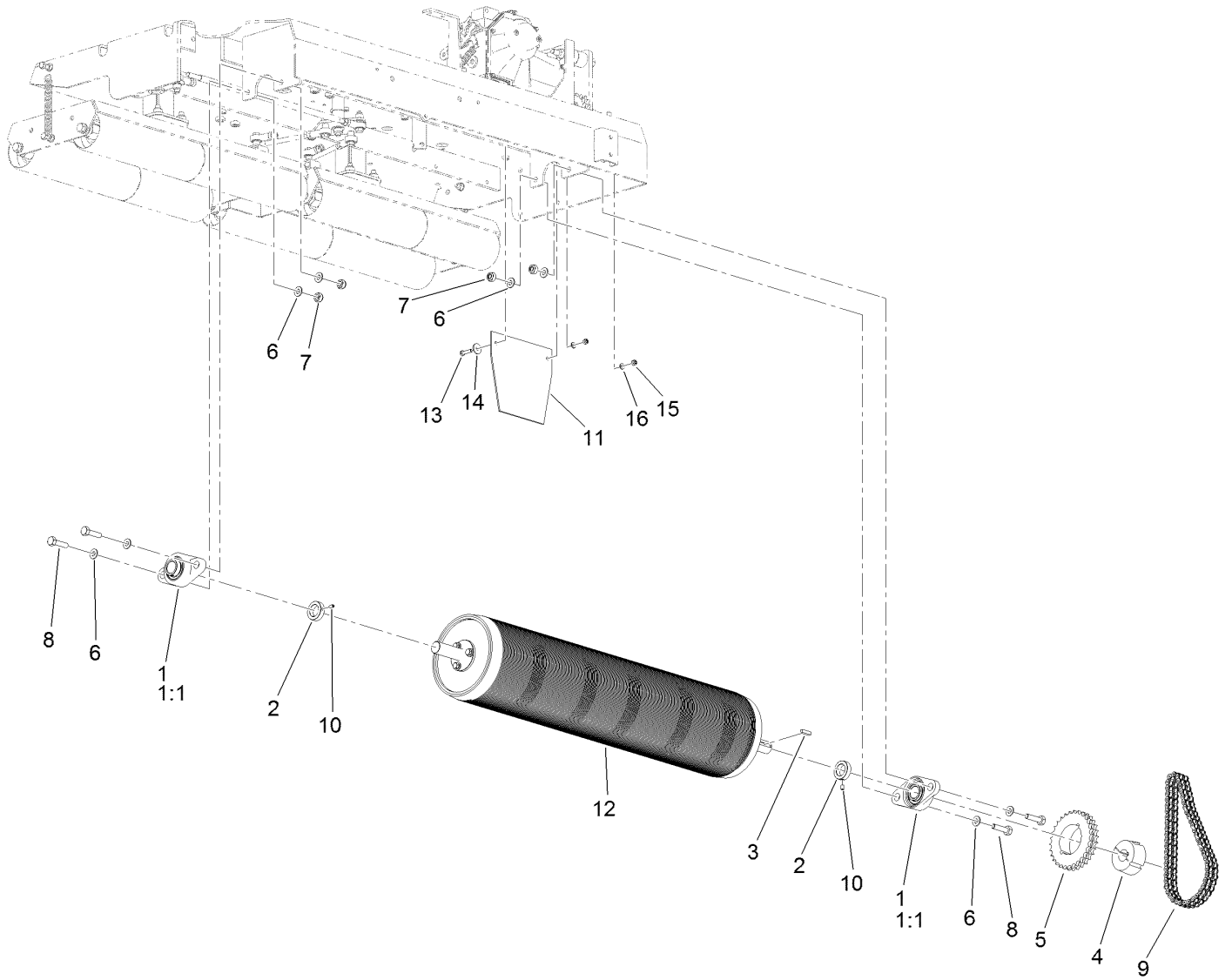
| Ref. | Part Number | Qty. | Description |
|------|-------------|------|----------------------------|
| 1 | 127-7966 | 1 | Long Steering Roller ASM |
| 1:4 | 115-3296 | 1 | Bearing-Sealed |
| 2 | 115-3299 | 4 | Seal-Flocked |
| 3 | 127-7959 | 2 | Spacer-Bearing |
| 4 | 3296-49 | 2 | Nut-Lock, NI |
| 5 | 117-8177 | 2 | O-Ring |
| 6 | 115-3296 | 2 | Bearing-Sealed |
| 7 | 127-7960 | 1 | Sleeve-Roller |
| 8 | 127-7961 | 1 | Shaft-Roller |
| 9 | 127-7967 | 1 | Short Steering Roller Assy |
| 9:4 | 115-3296 | 1 | Bearing-Sealed |
| 10 | 127-7962 | 1 | Shaft-Roller Short |



Hydraulic Tank and Hose Assembly

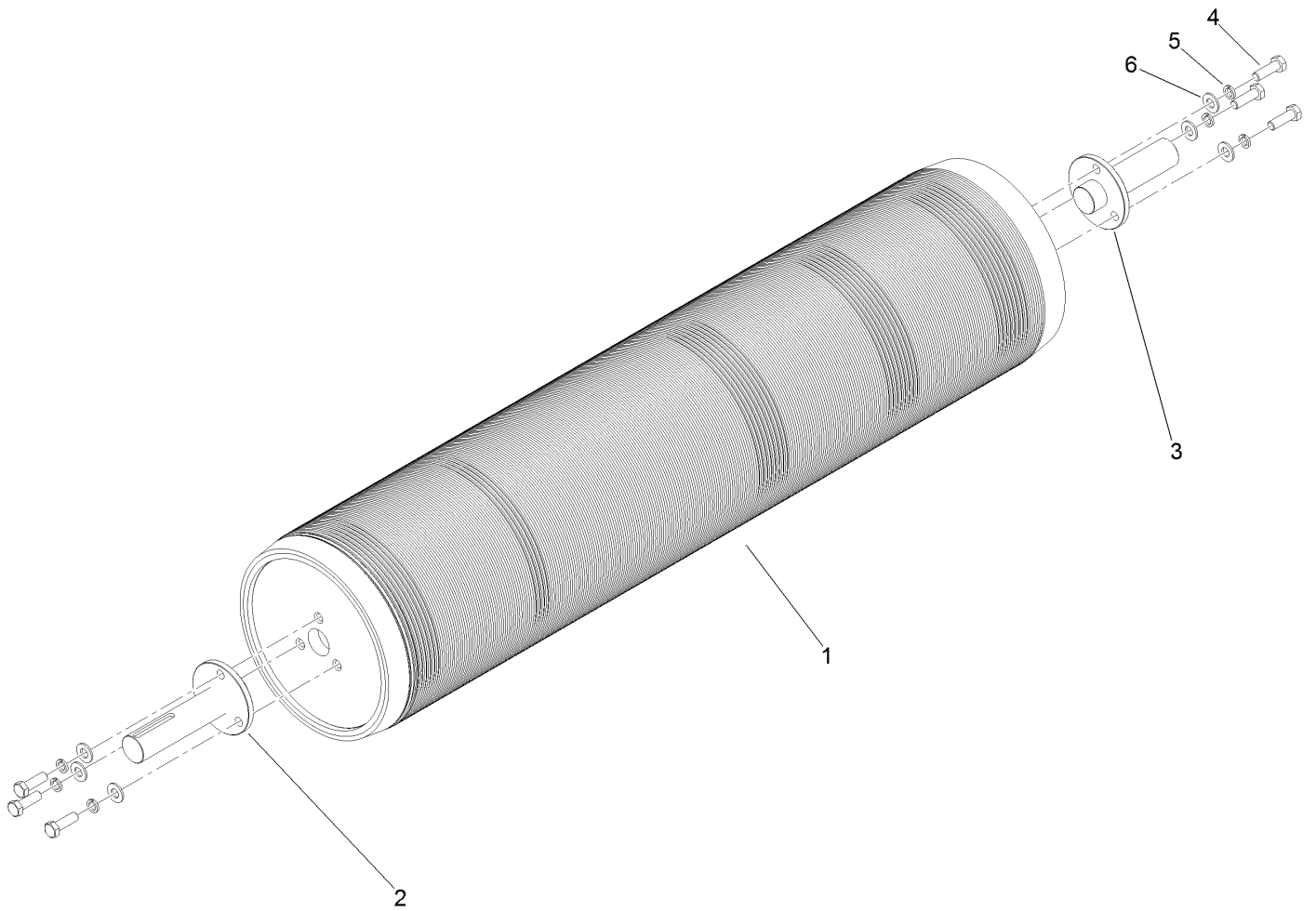
| Ref. | Part Number | Qty. | Description |
|------|-------------|------|-----------------------|
| 1 | 09475 | 4 | Washer |
| 2 | 09441 | 2 | Nut-Hex, NI |
| 3 | 03162 | 2 | Screw-HH |
| 4 | 93-6686 | 1 | Decal-Oil, HYD |
| 5 | 10-06-031 | 2 | Seal-Dowty |
| 6 | 10-06-042 | 2 | Adaptor-Bspp |
| 7 | 111-5752 | 1 | Head-Filter, Oil |
| 8 | 111-5750 | 1 | Cartridge-Filter, Oil |
| 9 | 111-4788 | 2 | Fitting-Straight |
| 9:1 | 70-06-165 | 1 | Seal-O Ring |
| 10 | 111-5956 | 1 | HYD Hose ASM |
| 11 | 111-5957 | 1 | HYD Hose ASM |

| Ref. | Part Number | Qty. | Description |
|------|-------------|------|---------------|
| 12 | 111-5958 | 1 | HYD Hose ASM |
| 13 | 09261 | 2 | Washer-Plain |
| 14 | 09264 | 2 | Washer-Spring |
| 15 | 09821 | 2 | Screw-HH |
| 16 | 111-5749 | 1 | Cap-Tank |
| 17 | 10-06-030 | 1 | Seal-Dowty |
| 18 | 30-06-200 | 1 | Plug-HYD |
| 19 | 127-5868 | 1 | Tank-Oil |
| 20 | 127-5832 | 1 | Decal-Warning |
| 21 | 127-5834 | 1 | Glass-Sight |
| 22 | 03469 | 2 | Washer-Spring |



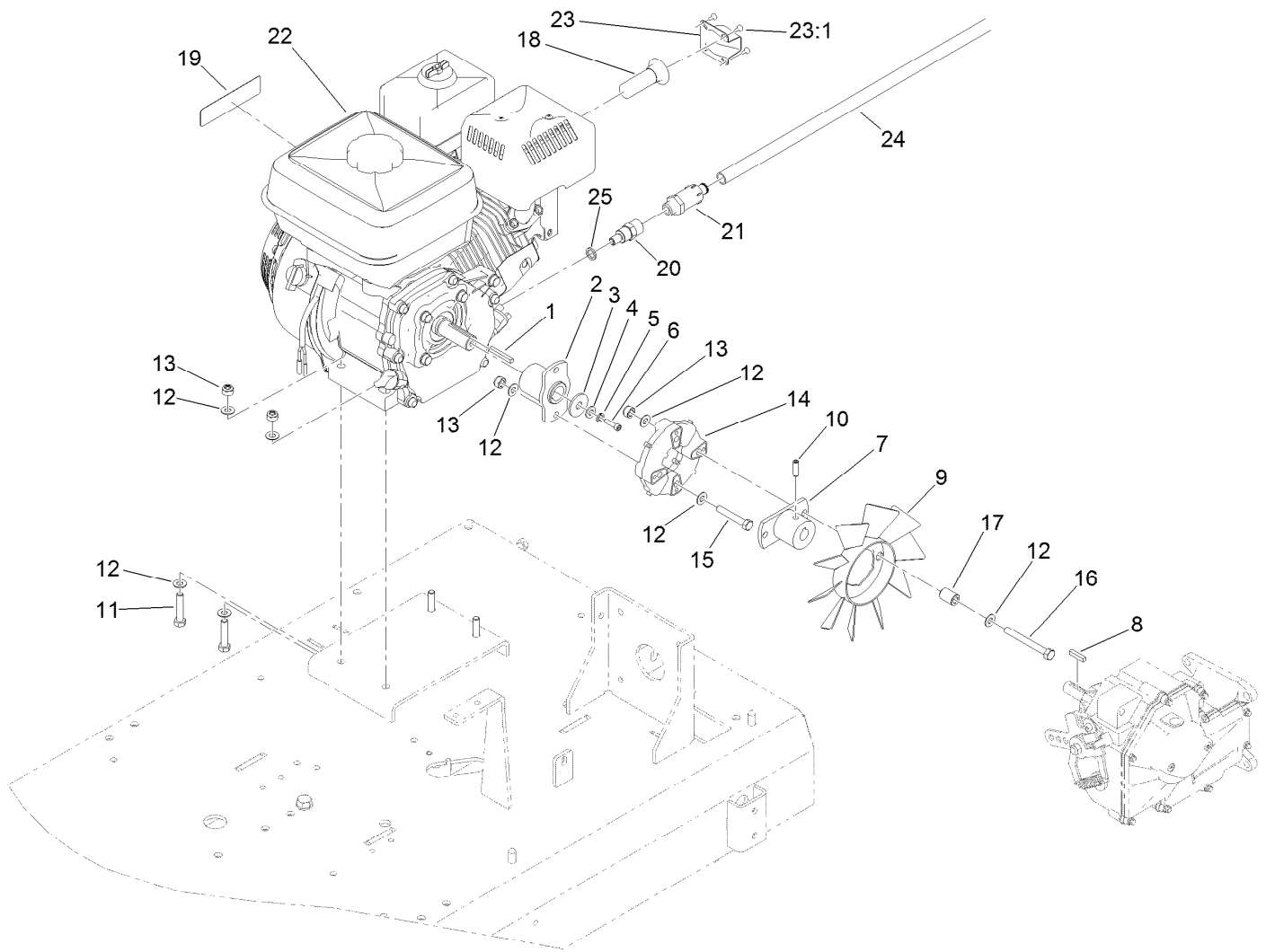
Drive Roller Assembly

| Ref. | Part Number | Qty. | Description | Ref. | Part Number | Qty. | Description |
|------|-------------|------|---------------------------|------|-------------|------|---------------------|
| 1 | 111-5744 | 2 | Bearing ASM | 9 | 127-5865 | 1 | Chain-Drive |
| 1:1 | 111-5758 | 1 | Bearing | 10 | 09619 | 2 | Screw-Grub |
| 2 | 111-5785 | 2 | Collar | 11 | 111-7089 | 1 | Guard-Chain, Rubber |
| 3 | 04522 | 1 | Key-Square | 12 | 111-5789 | 1 | Drive Roller ASM |
| 4 | 111-5762 | 1 | Hub-Taperlock | 13 | 09364 | 2 | Screw-HH |
| 5 | 111-5763 | 1 | Sprocket-30 Tooth, Duplex | 14 | 09263 | 2 | Washer |
| 6 | 09491 | 8 | Washer-Plain | 15 | 09438 | 2 | Nut-Nyloc |
| 7 | 09456 | 4 | Nut | 16 | 09472 | 2 | Washer-Plain |
| 8 | 33118-045 | 4 | Screw-HH | | | | |



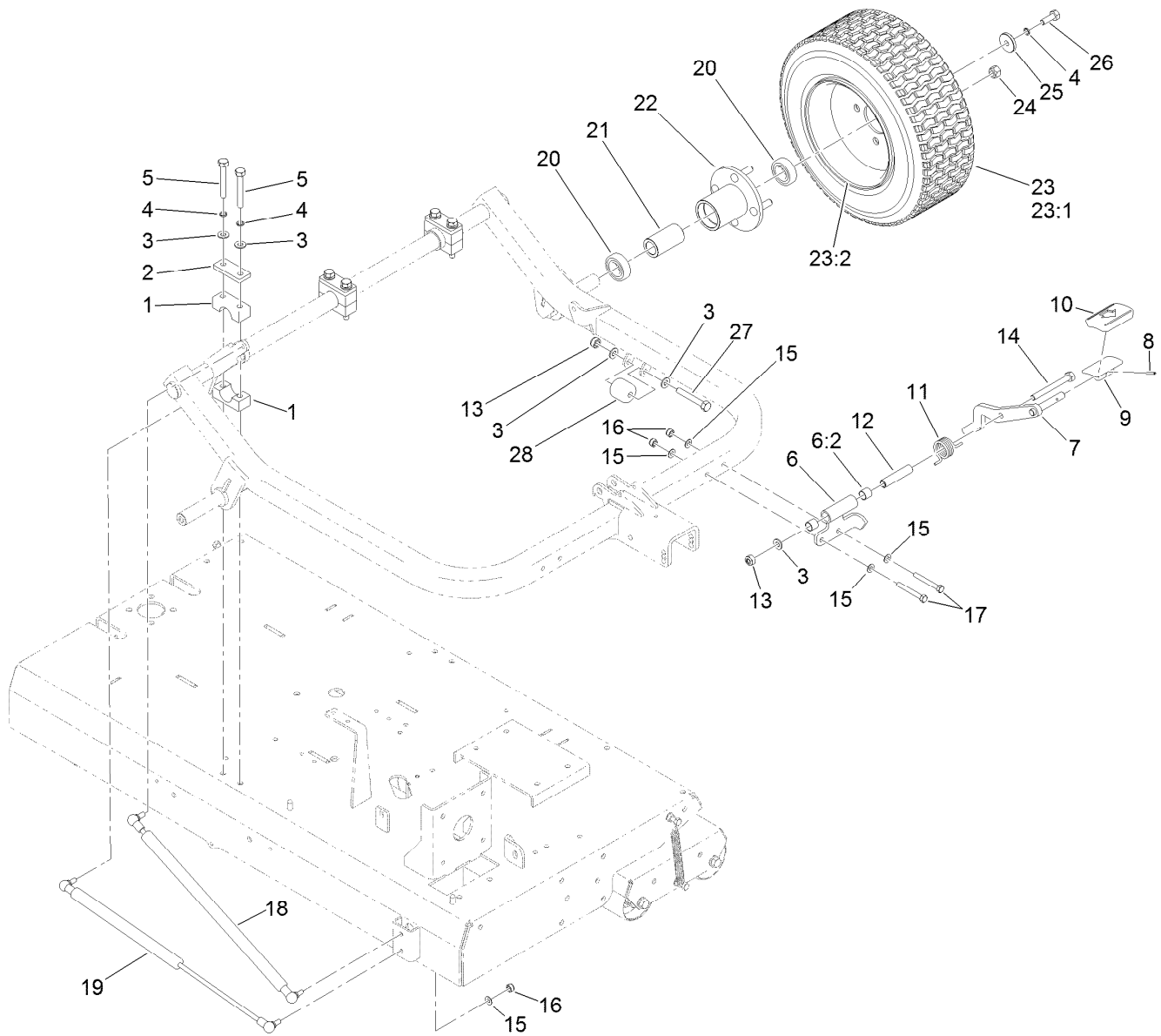
Drive Roller Assembly No. 111-5789

| <i>Ref.</i> | <i>Part Number</i> | <i>Qty.</i> | <i>Description</i> |
|-------------|--------------------|-------------|--------------------|
| 1 | 111-6857 | 1 | Drum-Roller, Drive |
| 2 | 111-5733 | 1 | Axle-Roller, Keyed |
| 3 | 111-5734 | 1 | Axle-Roller |
| 4 | 09073 | 6 | Setscrew |
| 5 | 03469 | 6 | Washer-Spring |
| 6 | 09266 | 6 | Washer-Plain |



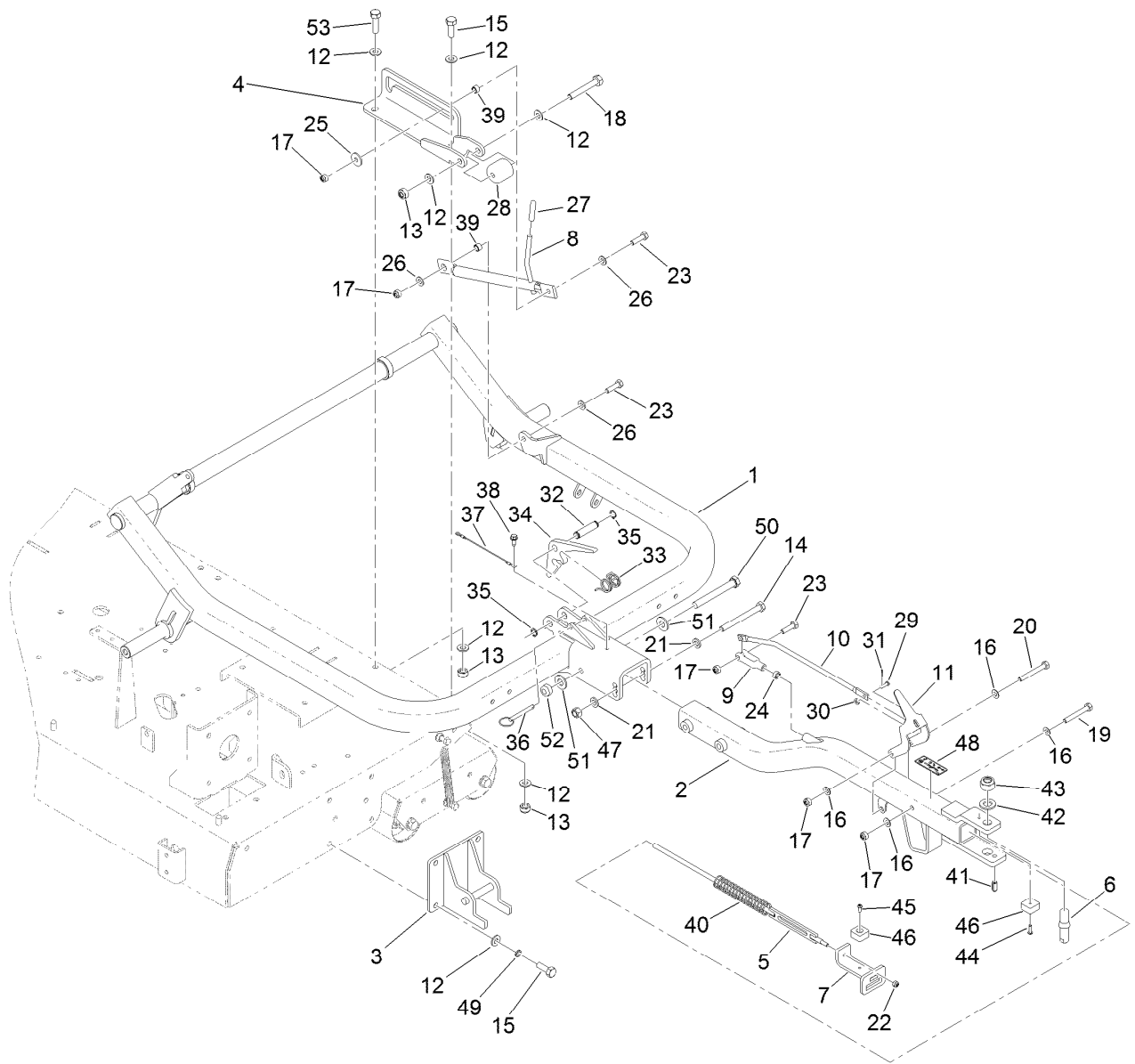
Engine Assembly

| <i>Ref.</i> | <i>Part Number</i> | <i>Qty.</i> | <i>Description</i> | <i>Ref.</i> | <i>Part Number</i> | <i>Qty.</i> | <i>Description</i> |
|-------------|--------------------|-------------|--------------------|-------------|--------------------|-------------|-----------------------|
| 1 | 103-2739 | 1 | Key | 14 | 119-0652 | 1 | Coupler-Rubber |
| 2 | 127-5799 | 1 | Collar-Engine | 15 | ZBH1H050U | 2 | Bolt |
| 3 | 93-8806 | 1 | Washer-Hardened | 16 | ZBH1H075U | 2 | Bolt |
| 4 | ZWP1H000U | 1 | Washer-Plain | 17 | 127-5847 | 2 | Bushing |
| 5 | 03469 | 1 | Washer-Spring | 18 | 111-6526 | 1 | Arrester-Spark |
| 6 | ZCS1H030U | 1 | Screw-Cap | 19 | 117-2718 | 1 | Decal-Arrester, Spark |
| 7 | 111-5730 | 1 | Collar-Pump | 20 | 111-7088 | 1 | Adaptor-Drain, Oil |
| 8 | 111-5724 | 1 | Key-Square | 21 | 92-6877 | 1 | Valve-Drain, Oil |
| 9 | 127-5846 | 1 | Fan | 22 | 111-6476 | 1 | Engine-Honda, Gx200 |
| 10 | 100-7594 | 1 | Screw-Set | 23 | 111-5980 | 1 | Exhaust Deflector ASM |
| 11 | 09681 | 4 | Bolt | 23:1 | 111-5979 | 4 | Screw-TAP |
| 12 | 09475 | 16 | Washer | 24 | 103-1964 | 1 | Hose-Drain, Oil |
| 13 | 09441 | 8 | Nut-Hex, NI | 25 | 111-7401 | 1 | Washer-Plug, Sump |



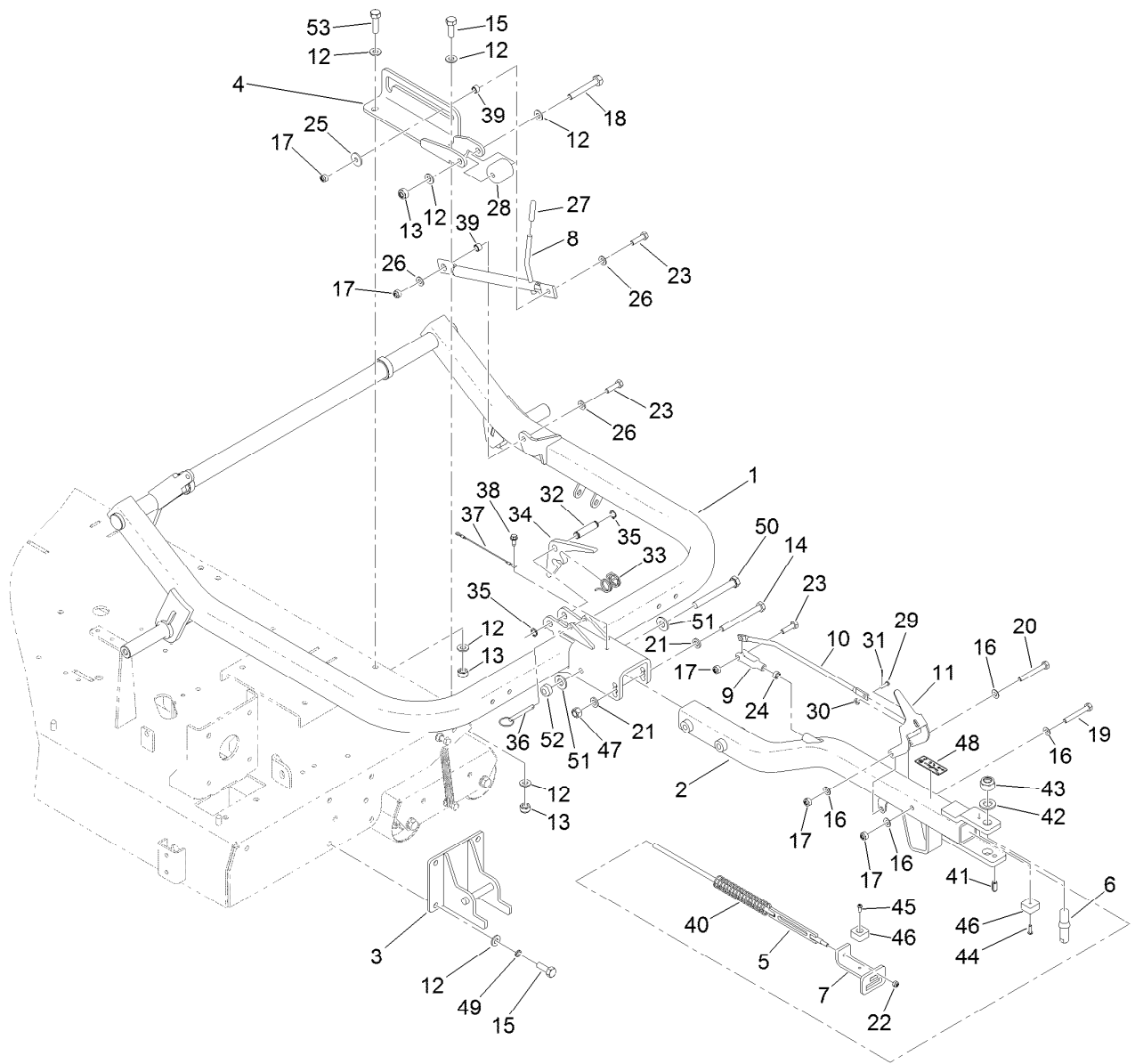
Lifting Mechanism Assembly

| Ref. | Part Number | Qty. | Description | Ref. | Part Number | Qty. | Description |
|------|-------------|------|--------------------|------|-------------|------|--------------------|
| 1 | 127-8044 | 3 | Clamp-Drawbar | 16 | 09441 | 4 | Nut-Hex, NI |
| 2 | 111-5681 | 3 | Plate-Clamp, Axle | 17 | ZBH1H065U | 2 | Bolt |
| 3 | ZWQ1J000U | 5 | Washer-Plain | 18 | 127-1326 | 1 | Damper |
| 4 | 09480 | 8 | Washer-Spring | 19 | 125-5696 | 1 | Spring-Gas |
| 5 | ZBH1J075U | 6 | Bolt-HH | 20 | 63-07-009 | 4 | Bearing |
| 6 | 127-1351 | 1 | Pedal Pivot ASM | 21 | 111-5858 | 2 | Spacer-Bearing |
| 6:2 | 256-311 | 2 | Bushing-Split | 22 | 111-7103-03 | 2 | Wheel Hub ASM |
| 7 | 127-1349-01 | 1 | Lever-Pedel | 23 | 111-5678 | 2 | Wheel And Tire ASM |
| 8 | 32121-45 | 1 | Pin-Spring | 23:1 | 111-5755 | 1 | Tire |
| 9 | 117-9507 | 1 | Pedal-Accelerator | 23:2 | 111-5756 | 1 | Rim-Wheel |
| 10 | 74-9100 | 1 | Pad-Pedal, Forward | 24 | 93-5268 | 8 | Nut-Lug |
| 11 | 127-1353 | 1 | Spring-Torsion | 25 | 111-5674 | 2 | Collar-Fixing |
| 12 | 127-1355 | 1 | Spacer | 26 | 09392 | 2 | Screw-HH |
| 13 | ZNN1J000U | 2 | Nut-Hex, NI | 27 | 09399 | 1 | Bolt |
| 14 | ZBH1J095U | 1 | Bolt-HH | 28 | 127-1342 | 1 | Roller |
| 15 | 09475 | 6 | Washer | | | | |



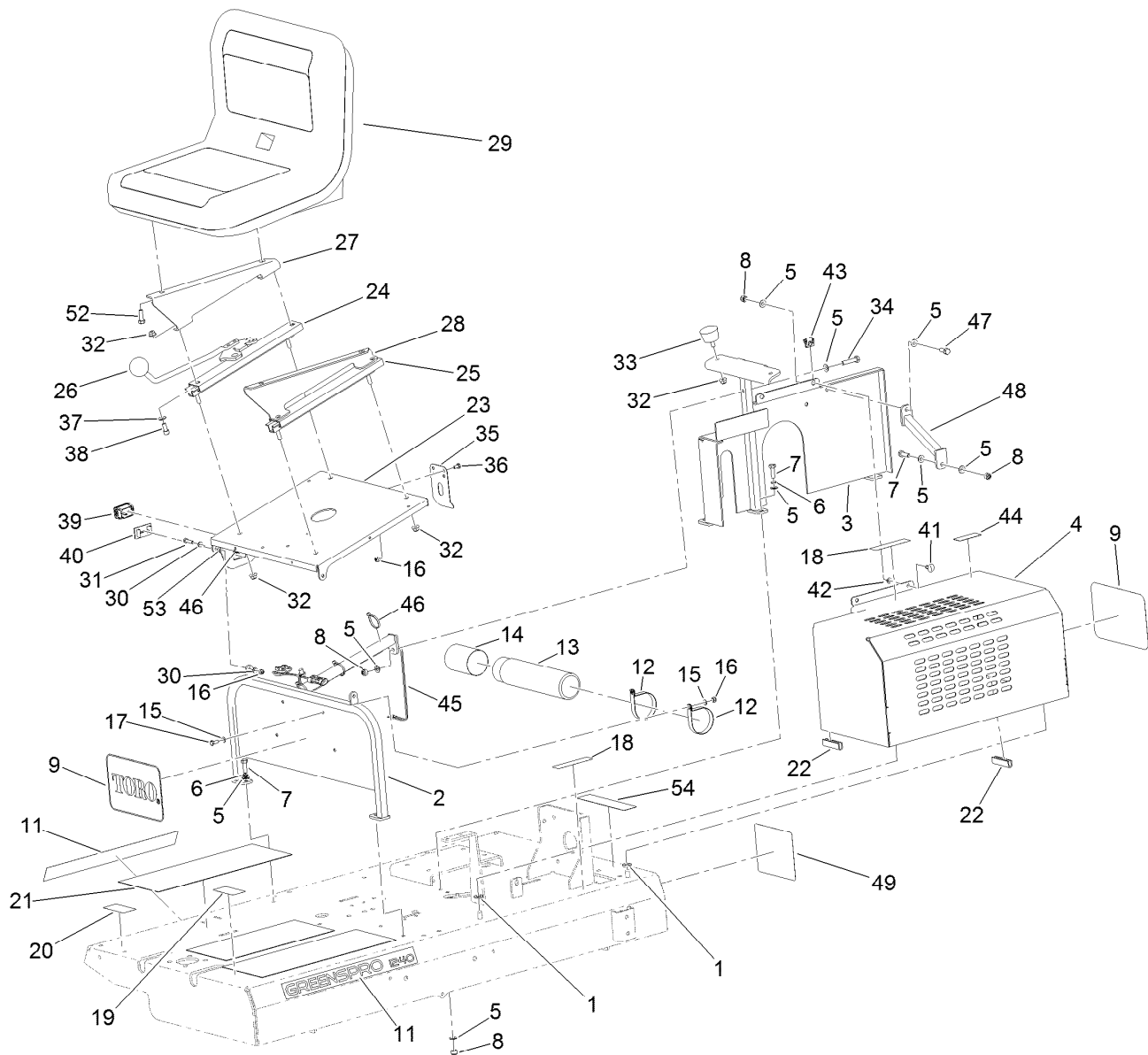
Hitch Assembly

| Ref. | Part Number | Qty. | Description | Ref. | Part Number | Qty. | Description |
|------|-------------|------|-----------------|------|-------------|------|--------------------|
| 1 | 125-5704-01 | 1 | Hitch Pivot ASM | 22 | 09438 | 1 | Nut-Nyloc |
| 2 | 125-5725-01 | 1 | Hitch ASM | 23 | 09369 | 3 | Screw-HH |
| 3 | 125-5724-01 | 1 | Bracket-Lock | 24 | 09207 | 1 | Nut |
| 4 | 125-5717-01 | 1 | Bracket-Slide | 25 | 1-603716 | 1 | Washer-Friction |
| 5 | 125-5743 | 1 | Lever ASM | 26 | 3256-23 | 3 | Washer-Flat |
| 6 | 127-5861 | 1 | Pin-Tow | 27 | 125-5722 | 1 | Cap-Flex |
| 7 | 125-5741-01 | 1 | Slide | 28 | 127-1342 | 1 | Roller |
| 8 | 125-5730-01 | 1 | Lever | 29 | 283-29 | 1 | Pin-Clevis |
| 9 | 1-303105 | 1 | Yoke-Adjustable | 30 | 3256-51 | 1 | Washer-Flat |
| 10 | 127-1317 | 1 | Wire-Form | 31 | 3272-1 | 1 | Pin-Cotter |
| 11 | 127-1321 | 1 | Lever | 32 | 125-5731 | 1 | Pin-Lock, Lever |
| 12 | ZWQ1J000U | 14 | Washer-Plain | 33 | 125-5723 | 1 | Spring-Torsion |
| 13 | ZNN1J000U | 4 | Nut-Hex, NI | 34 | 125-5711-01 | 1 | Latch-Hitch |
| 14 | 127-5864 | 1 | Screw-HH | 35 | 32151-61 | 2 | Ring-Retaining |
| 15 | 09392 | 5 | Screw-HH | 36 | 108-0094 | 1 | Pin-Cotterless |
| 16 | 09475 | 7 | Washer | 37 | 28-8070 | 1 | Lanyard |
| 17 | 09441 | 5 | Nut-Hex, NI | 38 | 32144-10 | 1 | Screw-HWH |
| 18 | 09399 | 1 | Bolt | 39 | 120-9697 | 2 | Spacer |
| 19 | 09371 | 1 | Bolt | 40 | 125-5737 | 1 | Spring-Compression |
| 20 | ZBH1H065U | 1 | Bolt | 41 | 32121-123 | 1 | Pin-Roll |
| 21 | 107-1413 | 2 | Washer-Hardened | 42 | 09491 | 1 | Washer-Plain |



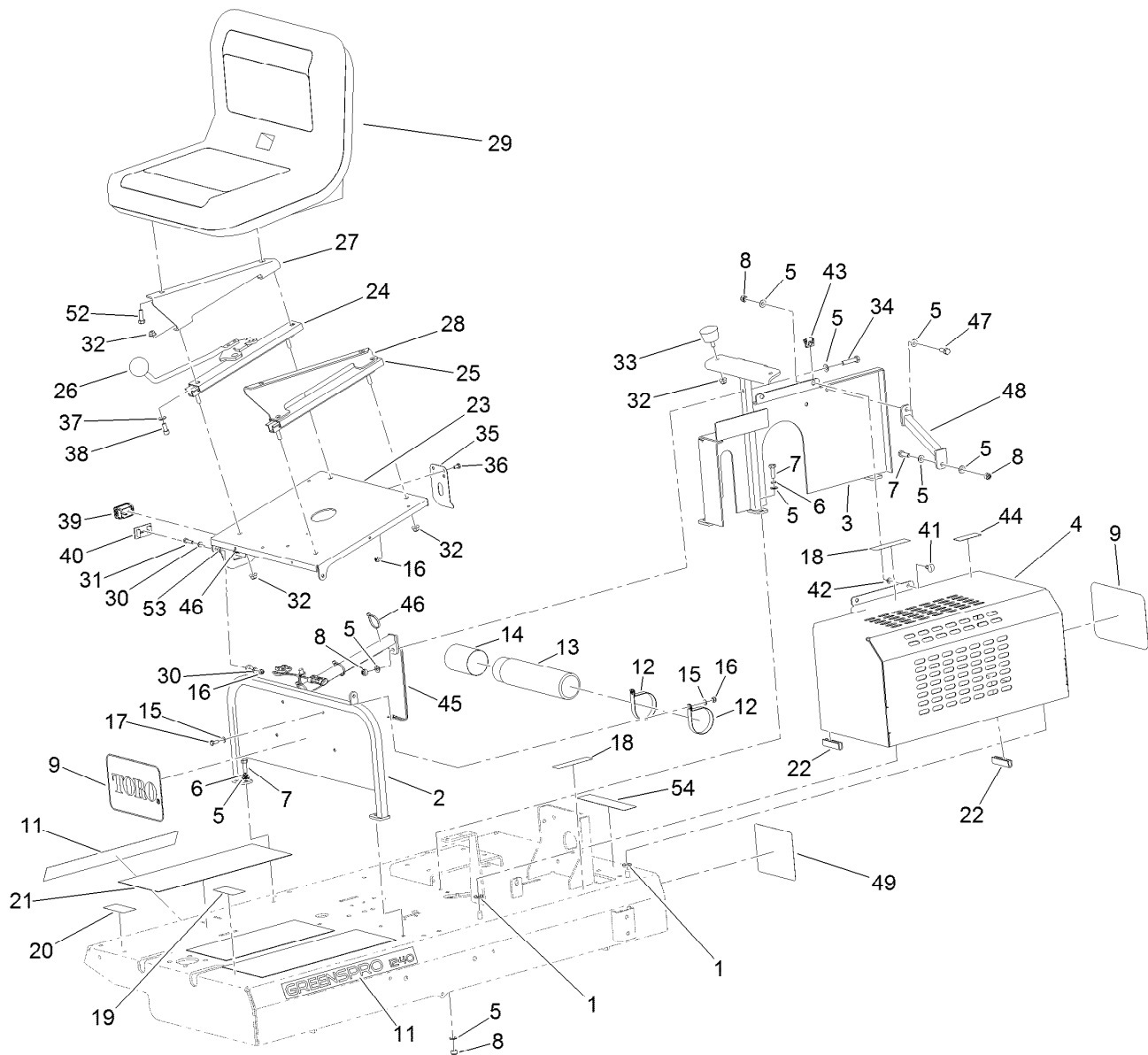
Hitch Assembly (continued)

| <i>Ref.</i> | <i>Part Number</i> | <i>Qty.</i> | <i>Description</i> | <i>Ref.</i> | <i>Part Number</i> | <i>Qty.</i> | <i>Description</i> |
|-------------|--------------------|-------------|-------------------------|-------------|--------------------|-------------|--------------------|
| 43 | 09456 | 1 | Nut | 49 | 09480 | 2 | Washer-Spring |
| 44 | 119-7568 | 1 | Screw-HSBH | 50 | 131-1557 | 1 | Screw-H |
| 45 | 127-5866 | 1 | Screw-HSBH | 51 | 87-7270 | 2 | Washer-Thrust |
| 46 | 94-1392 | 2 | Pad-Rubber | 52 | 94-4307 | 1 | Nut-Hex Lock |
| 47 | 131-1558 | 1 | Nut-Lock | 53 | 09394 | 1 | Bolt |
| 48 | 127-5885 | 1 | Decal-Disconnect, Hitch | | | | |



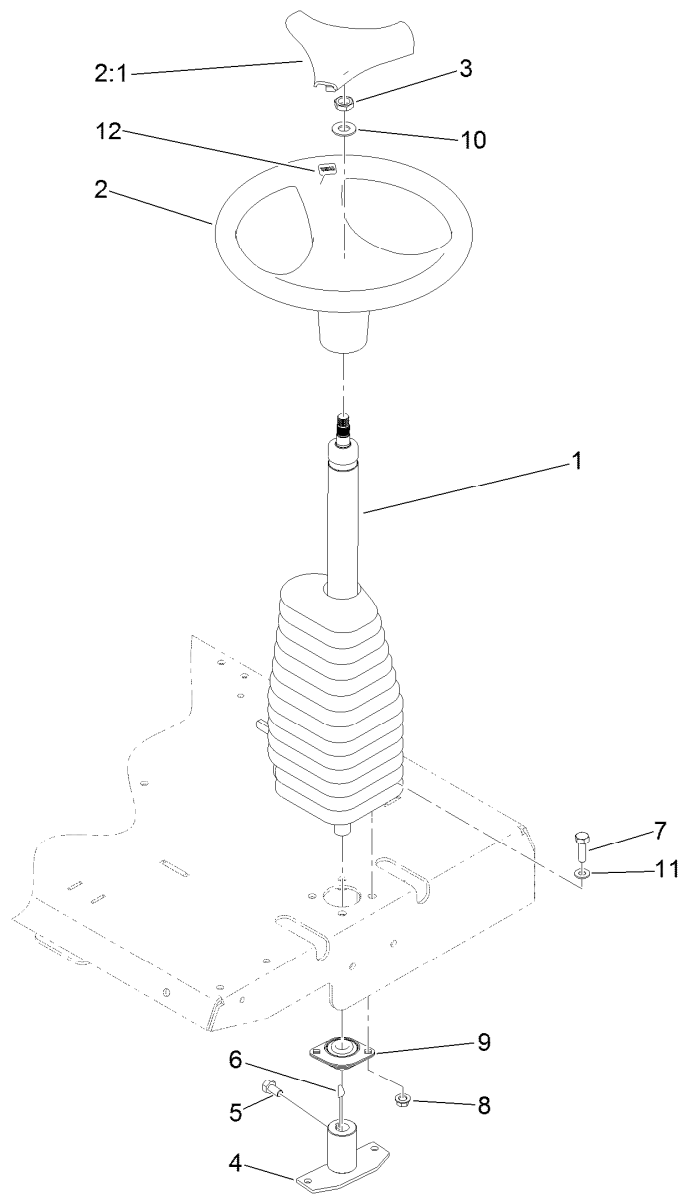
Seat Assembly

| Ref. | Part Number | Qty. | Description | Ref. | Part Number | Qty. | Description |
|------|-------------|------|------------------------------|------|-------------|------|-------------------------|
| 1 | 111-5739 | 2 | Washer-Rubber | 23 | 127-5752-01 | 1 | Pan-Seat |
| 2 | 127-5755-01 | 1 | Support-Seat | 24 | 119-4483 | 1 | Seat Adjuster Lever ASM |
| 3 | 127-5775-01 | 1 | Frame-Support, Rear | 25 | 92-8990 | 1 | Adjuster-Slave |
| 4 | 127-5869 | 1 | Cover-Transmission | 26 | 233-48 | 1 | Knob |
| 5 | 09475 | 14 | Washer | 27 | 127-5759-01 | 1 | Bracket-Seat, RH |
| 6 | 03469 | 5 | Washer-Spring | 28 | 127-5754-01 | 1 | Bracket-Seat, LH |
| 7 | 03162 | 6 | Screw-HH | 29 | 111-5742 | 1 | Seat ASM |
| 8 | 09441 | 6 | Nut-Hex, NI | 30 | 09472 | 4 | Washer-Plain |
| 9 | 111-3728 | 2 | Decal | 31 | ZBH1F025U | 2 | Bolt-HH |
| 11 | 127-5895 | 2 | Decal | 32 | 104-8300 | 10 | Nut-Flange, NI |
| 12 | 107-1865 | 2 | R-Clamp | 33 | 68-3270 | 2 | Bumper-Rubber |
| 13 | 104-7050 | 1 | Tube-Manual | 34 | 09681 | 1 | Bolt |
| 14 | 104-7048 | 1 | Cap-Housing | 35 | 66-2630 | 1 | Latch-Seat |
| 15 | ZWP1F000U | 4 | Washer-Plain | 36 | 09361 | 2 | Screw-HH |
| 16 | 09438 | 6 | Nut-Nyloc | 37 | 3256-23 | 4 | Washer-Flat |
| 17 | 09362 | 2 | Screw-HH | 38 | 3274-10 | 4 | Screw-HSH |
| 18 | 111-5646 | 2 | Decal-Warning | 39 | 120-2244 | 1 | Hourmeter |
| 19 | 111-5649 | 1 | Decal-Control, Pedal (Left) | 40 | 111-2337 | 1 | Blank-Switch |
| 20 | 111-5650 | 1 | Decal-Control, Pedal (Right) | 41 | 119-1728 | 2 | Stud-1/4 Turn |
| 21 | 70-07-067 | 4 | Tape-Slip, Anti | 42 | 119-1729 | 2 | Retainer-Stud |
| 22 | 50-08-001 | 1 | Edging-Rubber | 43 | 119-1730 | 2 | Receptacle-Clip, Mini |



Seat Assembly (continued)

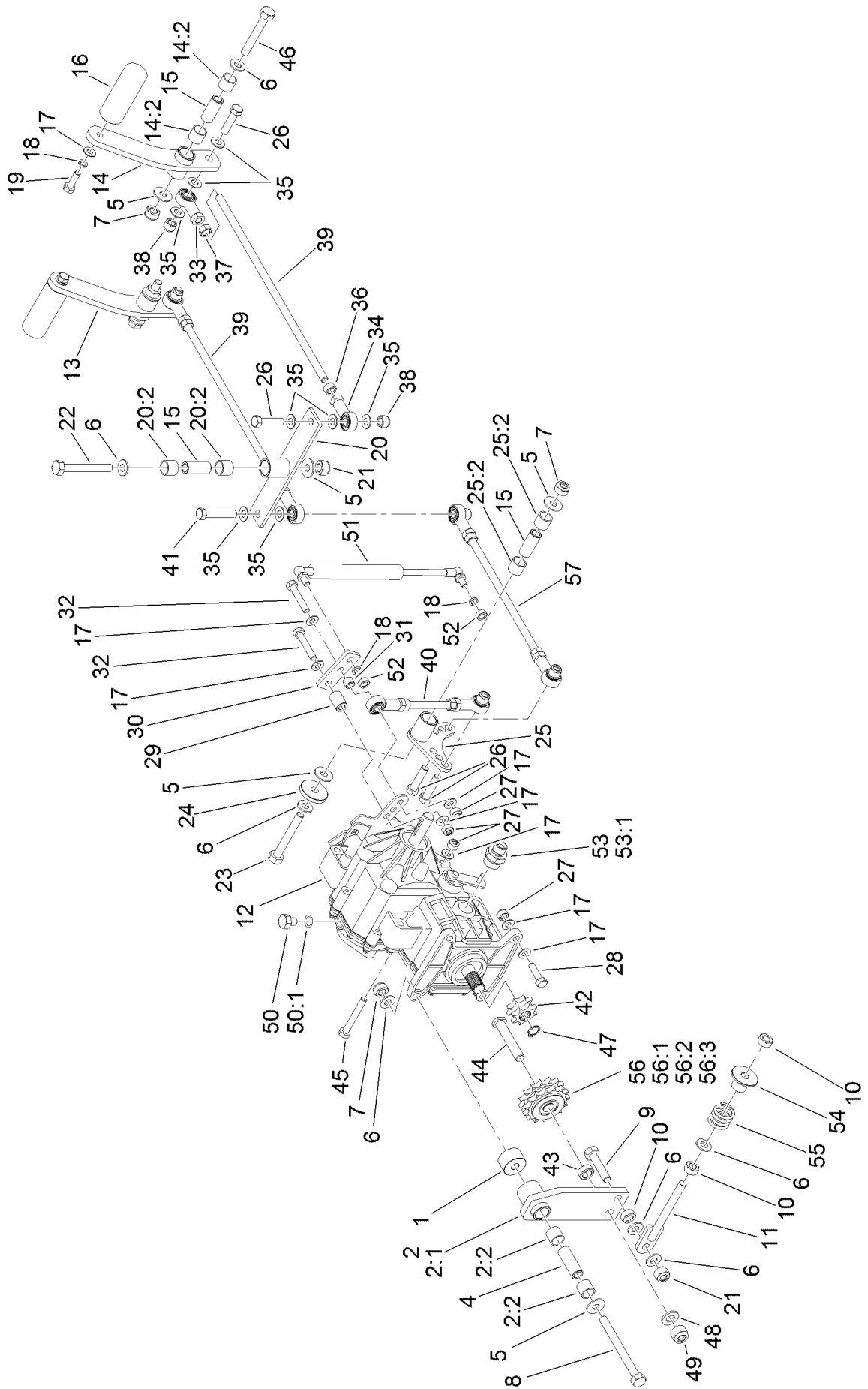
| <i>Ref.</i> | <i>Part Number</i> | <i>Qty.</i> | <i>Description</i> | <i>Ref.</i> | <i>Part Number</i> | <i>Qty.</i> | <i>Description</i> |
|-------------|--------------------|-------------|--------------------------|-------------|--------------------|-------------|-------------------------------|
| 44 | 127-0392 | 1 | Decal-Hot Surface | 49 | 127-5878 | 1 | Decal-Reference, Japanese |
| 45 | 122-0190 | 1 | Harness-Wire | 49 | 127-5879 | 1 | Decal-Reference, Dutch |
| 46 | HY3966 | 4 | Tie-Cable | 49 | 127-5880 | 1 | Decal-Reference, Norwegian |
| 47 | 09368 | 1 | Screw-HH | 49 | 127-5881 | 1 | Decal-Reference, Polish |
| 48 | 127-5928-01 | 1 | Support Strut | 49 | 127-5882 | 1 | Decal-Reference, Portuguese |
| 49 | 127-5867 | 1 | Decal-Service, Gp1240 | 49 | 127-5883 | 1 | Decal-Reference, Swedish |
| 49 | 127-5871 | 1 | Decal-Service, Czech | 52 | 33104-016 | 4 | Screw-HHF |
| 49 | 127-5872 | 1 | Decal-Reference, Danish | 53 | 88-7860 | 2 | Spacer |
| 49 | 127-5873 | 1 | Decal-Reference, German | 54 | 127-8010 | 1 | Decal-Adjust, Tension (Chain) |
| 49 | 127-5874 | 1 | Decal-Reference, Spanish | | | | |
| 49 | 127-5875 | 1 | Decal-Reference, Finnish | | | | |
| 49 | 127-5876 | 1 | Decal-Reference, French | | | | |
| 49 | 127-5877 | 1 | Decal-Reference, Italian | | | | |



Steering Wheel Assembly

| Ref. | Part Number | Qty. | Description |
|------|-------------|------|-----------------------|
| 1 | 127-5772 | 1 | Column-Steering |
| 2 | 98-1471 | 1 | Wheel-Steering |
| 2:1 | 98-1468 | 1 | Cover-Wheel, Steering |
| 3 | 110-8816 | 1 | Nut-Hex |
| 4 | 127-5776-01 | 1 | Pivot-Steering |
| 5 | 09391 | 1 | Screw-HH |
| 6 | HY4325 | 1 | Key-Woodruff |
| 7 | 09394 | 4 | Bolt |
| 8 | 63-11-015 | 4 | Nut-Flanged |
| 9 | 127-5779 | 1 | Bearing ASM |
| 10 | 3256-27 | 1 | Washer-Flat |
| 11 | ZWQ1J000U | 4 | Washer-Plain |
| 12 | 98-1459 | 1 | Decal |

Transmission Control Assembly

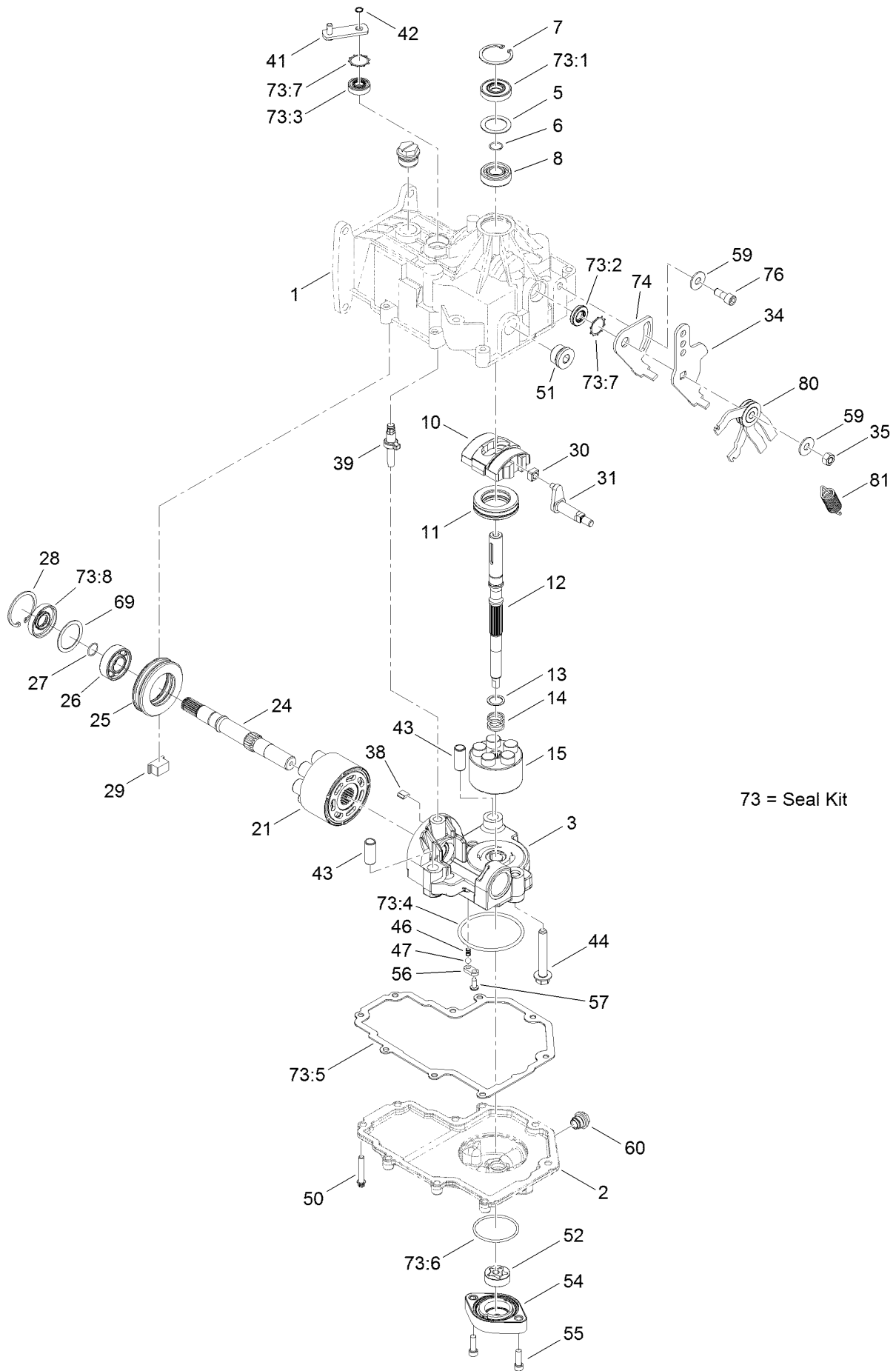


Transmission Control Assembly (continued)

| <i>Ref.</i> | <i>Part Number</i> | <i>Qty.</i> | <i>Description</i> | <i>Ref.</i> | <i>Part Number</i> | <i>Qty.</i> | <i>Description</i> |
|-------------|--------------------|-------------|--------------------------------|-------------|--------------------|-------------|------------------------|
| 1 | 111-5672 | 1 | Spacer | 29 | 111-5722 | 1 | Spacer-Damper |
| 2 | 127-7972 | 1 | Idler Arm ASM | 30 | 111-5711 | 1 | Plate-Damper |
| 2:1 | 127-7970 | 1 | Idler Arm ASM | 31 | 111-5792 | 1 | Bushing |
| 2:2 | 256-311 | 2 | Bushing-Split | 32 | 09654 | 2 | Bolt |
| 4 | 127-7969 | 1 | Bushing-Pivot | 33 | 111-5959 | 4 | Joint-Ball |
| 5 | HY03355 | 6 | Washer-Plated | 34 | 111-5748 | 4 | Joint-Ball |
| 6 | ZWQ1J000U | 8 | Washer-Plain | 35 | 09271 | 14 | Washer-Plain |
| 7 | ZNN1J000U | 4 | Nut-Hex, NI | 36 | 09213 | 4 | Nut |
| 8 | 09405 | 1 | Bolt | 37 | 111-5855 | 4 | Nut-Hex, LH |
| 9 | ZDH1J045U | 1 | Screw-HH | 38 | 09216 | 6 | Nut-Hex, NI |
| 10 | 09449 | 3 | Nut | 39 | 111-5682 | 2 | Rod-Linkage |
| 11 | 111-5736 | 1 | Tensioning Rod ASM | 40 | 111-5690 | 1 | Arm-Linkage |
| 12 | 111-6000 | 1 | Transmission | 41 | 09121 | 1 | Bolt |
| 13 | 127-5948 | 1 | Left Hand Motion Pedal ASM | 42 | 127-5870 | 1 | Sprocket-8 Tooth |
| 13:2 | 256-311 | 2 | Bushing-Split ● | 43 | 111-5712 | 1 | Bushing-Idler, Gear |
| 14 | 127-5947 | 1 | Right Hand Motion Pedal ASM | 44 | 111-5723 | 1 | Bolt-Sprocket, Idler |
| 14:2 | 256-311 | 2 | Bushing-Split | 45 | 09371 | 1 | Bolt |
| 15 | 127-5938 | 4 | Bushing-Pivot | 46 | 09399 | 2 | Bolt |
| 16 | 111-5727 | 2 | Pedal | 47 | 111-6009 | 1 | Circlip-EXT |
| 17 | 09475 | 14 | Washer | 48 | HY09485 | 1 | Washer-Plain |
| 18 | 03469 | 4 | Washer-Spring | 49 | ZNN1L000U | 1 | Nut-Nyloc |
| 19 | 03162 | 2 | Screw-HH | 50 | 111-4788 | 1 | Fitting-Straight |
| 20 | 127-5946 | 1 | Pedal Rod Pivot ASM | 50:1 | 70-06-165 | 1 | Seal-O Ring |
| 20:2 | 256-311 | 2 | Bushing-Split | 51 | 127-5896 | 1 | Damper |
| 21 | 09447 | 2 | Nut | 52 | ZNH1H000U | 2 | Nut-Hex |
| 22 | 09404 | 1 | Bolt | 53 | 70-06-053 | 1 | Adaptor-Boss |
| 23 | ZBH1J075U | 1 | Bolt-HH | 53:1 | 63-06-111 | 1 | Seal-O Ring |
| 24 | 111-5674 | 1 | Collar-Fixing | 54 | 127-5829 | 1 | Spacer |
| 25 | 127-7950 | 1 | Lever Quadrant ASM | 55 | 127-5849 | 1 | Spring-Compression |
| 25:2 | 256-311 | 2 | Bushing-Split | 56 | 111-5768 | 1 | Idler Sprocket ASM |
| 26 | 09118 | 5 | Bolt-HH | 56:1 | 111-6116 | 1 | Sprocket-Idler, 15T |
| 27 | 09441 | 6 | Nut-Hex, NI | 56:2 | 111-6115 | 1 | Spacer-Sprocket, Idler |
| 28 | 09369 | 3 | Screw-HH | 56:3 | 411027 | 2 | Bearing |
| | | | | 57 | 111-5697 | 1 | Rod-Linkage, Long |

● Not illustrated

Transmission Assembly No. 111-6000



Transmission Assembly No. 111-6000 (continued)

| <i>Ref.</i> | <i>Part Number</i> | <i>Qty.</i> | <i>Description</i> | <i>Ref.</i> | <i>Part Number</i> | <i>Qty.</i> | <i>Description</i> |
|-------------|--------------------|-------------|-------------------------|-------------|--------------------|-------------|------------------------|
| 1 | | 1 | Housing-Upper ● | 43 | 94-1927 | 2 | Pin |
| 2 | | 1 | Housing-Lower ● | 44 | 94-6926 | 3 | Bolt |
| 3 | 125-9162 | 1 | Center Section Kit | 46 | 108-8548 | 1 | Spring-Helical |
| 5 | 104-2104 | 1 | Spacer | 47 | 108-8549 | 1 | Ball-1/4 Inch |
| 6 | 119-5531 | 1 | Ring-Retaining, Wire | 50 | 94-1926 | 9 | Bolt |
| 7 | 119-5533 | 1 | Ring-Retaining | 51 | 125-9168 | 1 | Plug |
| 8 | 119-5530 | 1 | Bearing-Ball | 52 | 104-2122 | 1 | Gerotor ASM |
| 10 | 94-1907 | 1 | Swashplate-Variable | 54 | | 1 | Housing-Pump, Charge ● |
| 11 | 94-6922 | 1 | Bearing-Thrust | 55 | 106-8758 | 2 | Screw-HSH |
| 12 | 125-9163 | 1 | Shaft-Input | 56 | 108-8550 | 1 | Plate-Relief |
| 13 | 120-5538 | 1 | Washer | 57 | 112-5910 | 1 | Bolt-TAP |
| 14 | 120-5537 | 1 | Spring-Compression | 59 | 5-4460 | 1 | Washer-Pivot |
| 15 | 103-2666 | 1 | Cylinder Block Kit | 60 | | 1 | Plug ● |
| 21 | 94-1913 | 1 | Cylinder Block ASM | 69 | 104-5308 | 1 | Spacer |
| 24 | 125-9164 | 1 | Shaft-Output | 73 | 125-9176 | 1 | Seal Kit |
| 25 | 94-6923 | 1 | Bearing-Thrust | 73:1 | 119-5532 | 1 | Seal-Lip |
| 26 | 104-5311 | 1 | Bearing-Ball | 73:2 | 125-9166 | 1 | Seal-Lip |
| 27 | 104-5307 | 1 | Ring-Retaining | 73:3 | 92-6545 | 1 | Seal-Lip |
| 28 | 104-5309 | 1 | Ring-Retaining | 73:4 | 108-8545 | 1 | O-Ring |
| 29 | 125-9165 | 1 | Retainer-Bearing, Motor | 73:5 | | 1 | Gasket ● |
| 30 | 94-1910 | 1 | Guide-Slot | 73:6 | 106-8757 | 1 | O-Ring |
| 31 | 104-2112 | 1 | Trunnion ASM | 73:7 | 125-9175 | 2 | Ring-Retaining, Star |
| 34 | 125-9167 | 1 | Arm-Control | 73:8 | 104-5310 | 1 | Seal-Lip |
| 35 | 32128-16 | 1 | Nut-HHF | 74 | 125-9177 | 1 | Arm-Return |
| 38 | 112-5892 | 1 | Bypass Plate Kit | 76 | 125-9178 | 1 | Screw |
| 39 | 94-1914 | 1 | Actuator-Bypass | 80 | 125-9179 | 1 | Scissor Arm ASM |
| 41 | 104-2117 | 1 | Arm-Bypass | 81 | 114-8462 | 1 | Spring-Extension |
| 42 | 936109 | 1 | Ring-Retaining | | | | |

● Not serviced separately

Attachments and Accessories

For 44912 GreensPro 1240 Greens Roller

| Product Name | Model/Part |
|---------------------------------------|-------------------|
| Armrest Kit..... | 44908 |
| Roller Scraper Kit..... | 44911 |
| My Turf Wireless Hour Meter Kit | 44922 |
| LED Light Kit..... | 44923 |

Notes:



Count on it.