



**Count on it.**

**Parts Catalog**

**18in Dethatcher**

Model No. 23513—Serial No. 316000001 and Up



# Ordering Replacement Parts

To order replacement parts, please supply the part number, the quantity, and the description of each part desired.

## Understanding Reference Numbers

Each identified part in an illustration has a reference number. The reference number for a part also appears in the parts list, along with other information about the part.

This catalog uses two special reference number formats, one to indicate parts in a service assembly and another to indicate the quantity of a given part in an illustration.

## Service Assembly Reference Numbers

Parts in service assemblies have reference numbers in the form a:b. The a represents the reference number of the entire service assembly and the b represents a sequential number unique to each part within the service assembly.

For example, a wheel assembly might be identified by reference number 6, the tire by 6:1, the valve by 6:2, and the wheel by 6:3. When you order the assembly identified by reference number 6, you receive all parts identified by reference numbers 6:1, 6:2, and 6:3. However, you may also order any part individually. Reference numbers of this type appear in illustration and in parts lists.

## Reference Numbers Indicating Quantity

In an illustration, if a reference number indicates more than one part, the reference number has the form nX y. The n represents the quantity of the part, the X is the multiplication symbol, and the y represents the reference number.

For example, in an illustration, the reference number 2X 37 means that two of the parts identified by reference number 37 are indicated.

# List of Abbreviations

**AR:** as required

**ASM:** assembly

**BBC:** blade brake control

**BHTF:** button head thread forming

**CARR:** carriage

**CCW:** counter clockwise

**CW:** clockwise

**DEG:** degrees

**DPA:** Dual Point Adjustment

**ECM:** electronic control module

**EXT:** external

**FH:** flat head

**GA:** gauge

**HD:** heavy-duty

**HF:** hex flange

**HH:** hex head

**HHF:** hex head flange

**HHFTF:** hex head flange thread forming

**HJ:** hex jam

**HLH:** hex lag head

**HOC:** height-of-cut

**HP:** high pressure

**HSBH:** hex socket button head

**HSFH:** hex socket flat head

**HSH:** hex socket head

**HWH:** hex washer head

**HWHTF:** hex washer head thread forming

**HYD:** hydraulic

**LH:** left hand

**LP:** low pressure

**LPG:** Liquefied Petroleum Gas

**NI:** nylon insert

**NPTF:** national pipe thread fine

**PFH:** phillips flat head

**PPH:** phillips pan head

**PPHTF:** phillips pan head thread forming

**PRH:** phillips round head

**PTH:** phillips truss head

**PTO:** power-take-off

**RH:** right hand

**ROPS:** roll-over protection system

**RRB:** rear roller brush

**SFH:** slotted fillister head

**SHH:** slotted hex head

**SHWH:** slotted hex washer head

**SPH:** slotted pan head

**SQH:** square head

**SRH:** slotted round head

**STD:** standard

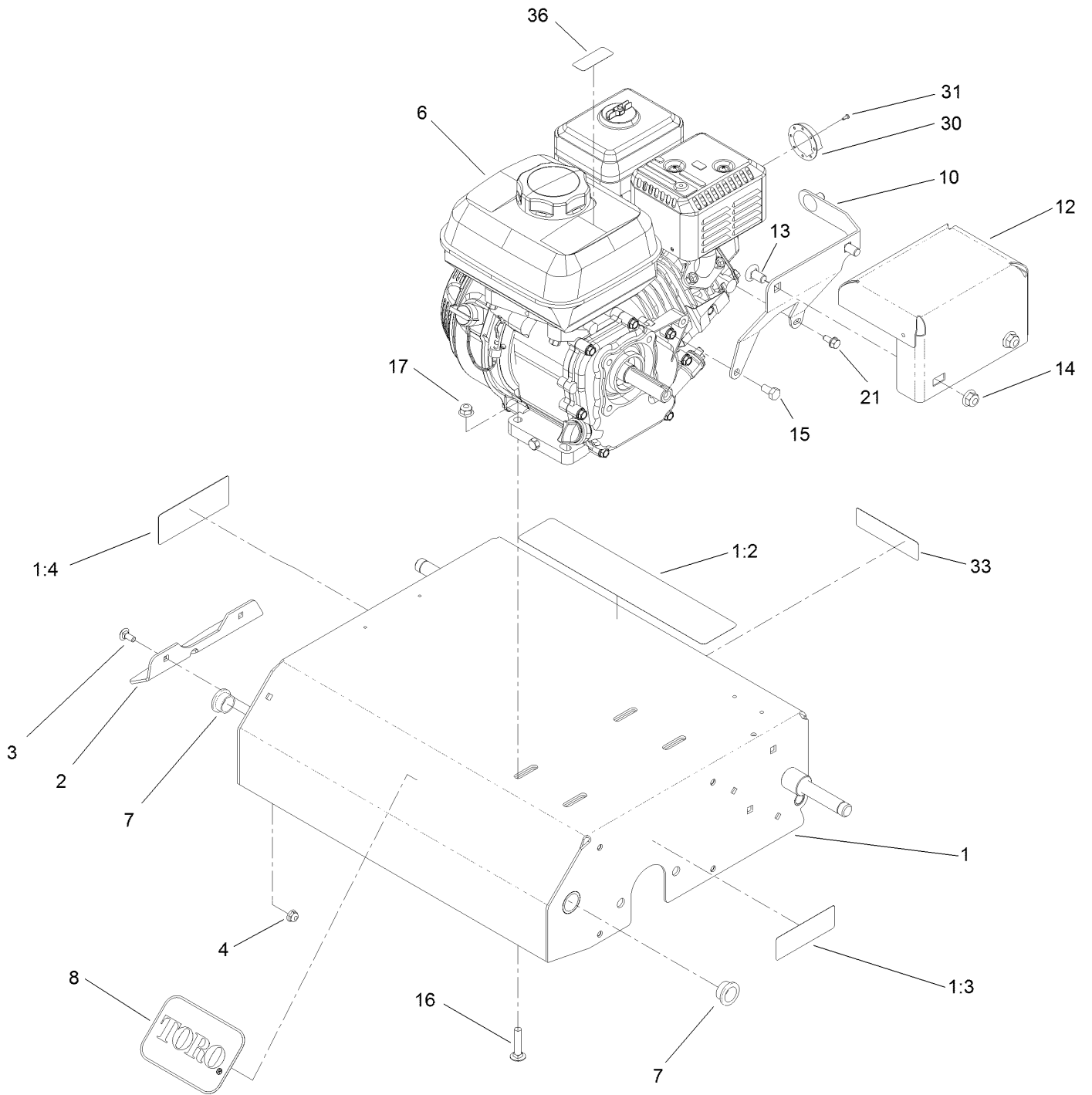
**TAP:** self tapping

**TTH:** torx truss head

# Contents

- Frame and Engine Assembly ..... 4
- Handle Assembly ..... 6
- Bearing and Shaft Assembly ..... 8
- Transport-Wheel Assembly..... 10
- Belt Guard Assembly ..... 12

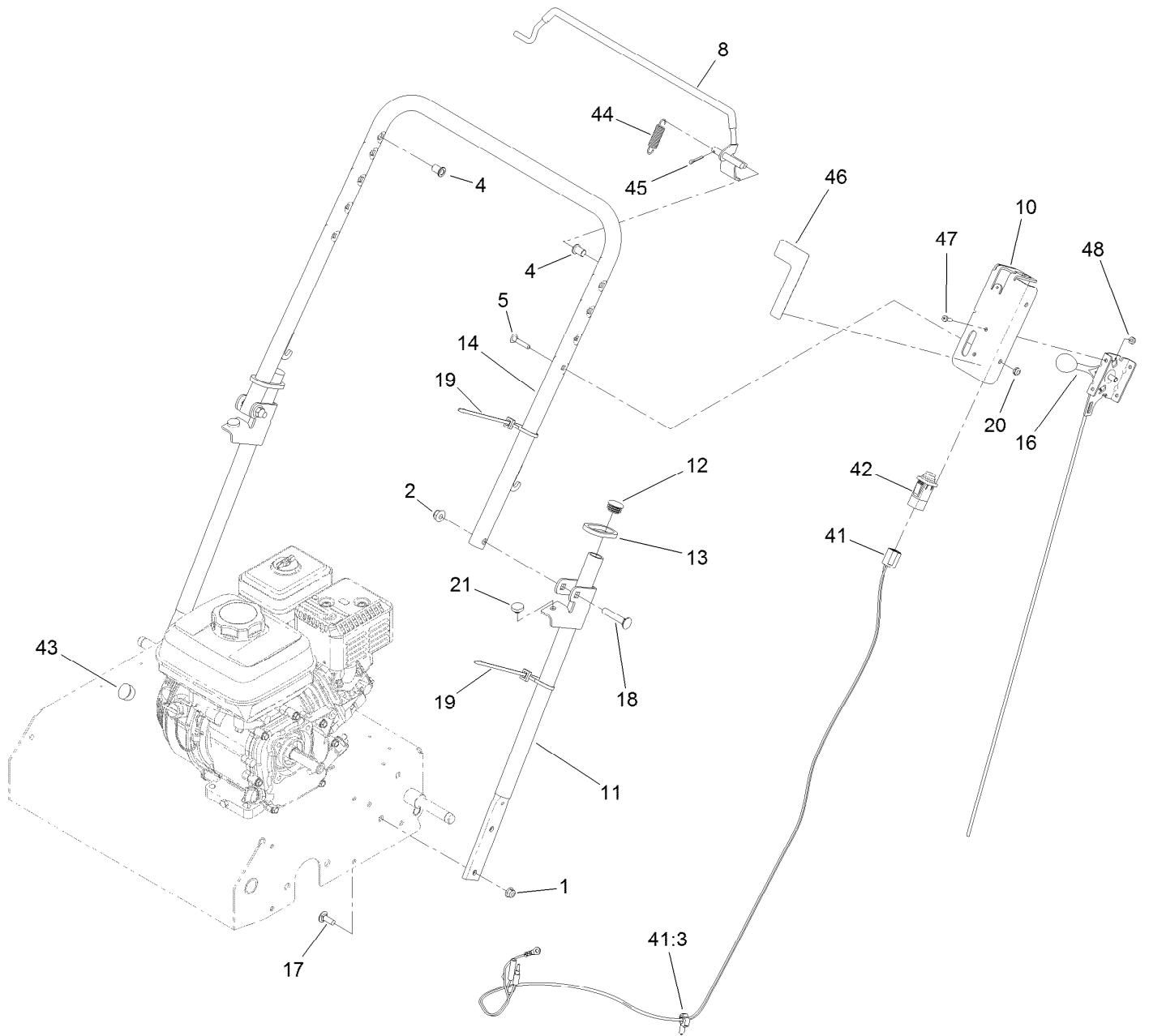
# Frame and Engine Assembly



## Frame and Engine Assembly (continued)

| <i>Ref.</i> | <i>Part Number</i> | <i>Qty.</i> | <i>Description</i>     | <i>Ref.</i> | <i>Part Number</i> | <i>Qty.</i> | <i>Description</i>     |
|-------------|--------------------|-------------|------------------------|-------------|--------------------|-------------|------------------------|
| 1           | 125-3825           | 1           | Frame ASM              | 12          | 132-7166-03        | 1           | Shield-Heat            |
| 1:2         | 125-3809           | 1           | Decal-Warning          | 13          | 3231-21            | 3           | Screw-CARR             |
| 1:3         | 117-4979           | 1           | Decal-Warning, Shields | 14          | 104-8301           | 3           | Nut-Flange, NI         |
| 1:4         | 93-7321            | 1           | Decal-Danger           | 15          | 3210-2             | 1           | Screw-HH               |
| 2           | 121-1853-01        | 1           | Guard-Hand             | 16          | 3230-4             | 4           | Screw-CARR             |
| 3           | 3229-11            | 2           | Screw-CARR             | 17          | 104-8300           | 4           | Nut-Flange, NI         |
| 4           | 104-7201           | 2           | Nut-Flange, NI         | 21          | 125-8383           | 1           | Screw-HWH              |
| 6           | 125-4813           | 1           | Engine-Honda, Gx160    | 30          | 125-3866           | 1           | Deflector              |
| 7           | 121-1876           | 2           | Bushing                | 31          | 120-1884           | 2           | Screw-PPHTF            |
| 8           | 67-1300            | 1           | Decal                  | 33          | 117-2718           | 1           | Decal-Arrester, Spark  |
| 10          | 132-7167-03        | 1           | Mount-Heat Shield      | 36          | 130-8322           | 1           | Decal-Warning, Ethanol |

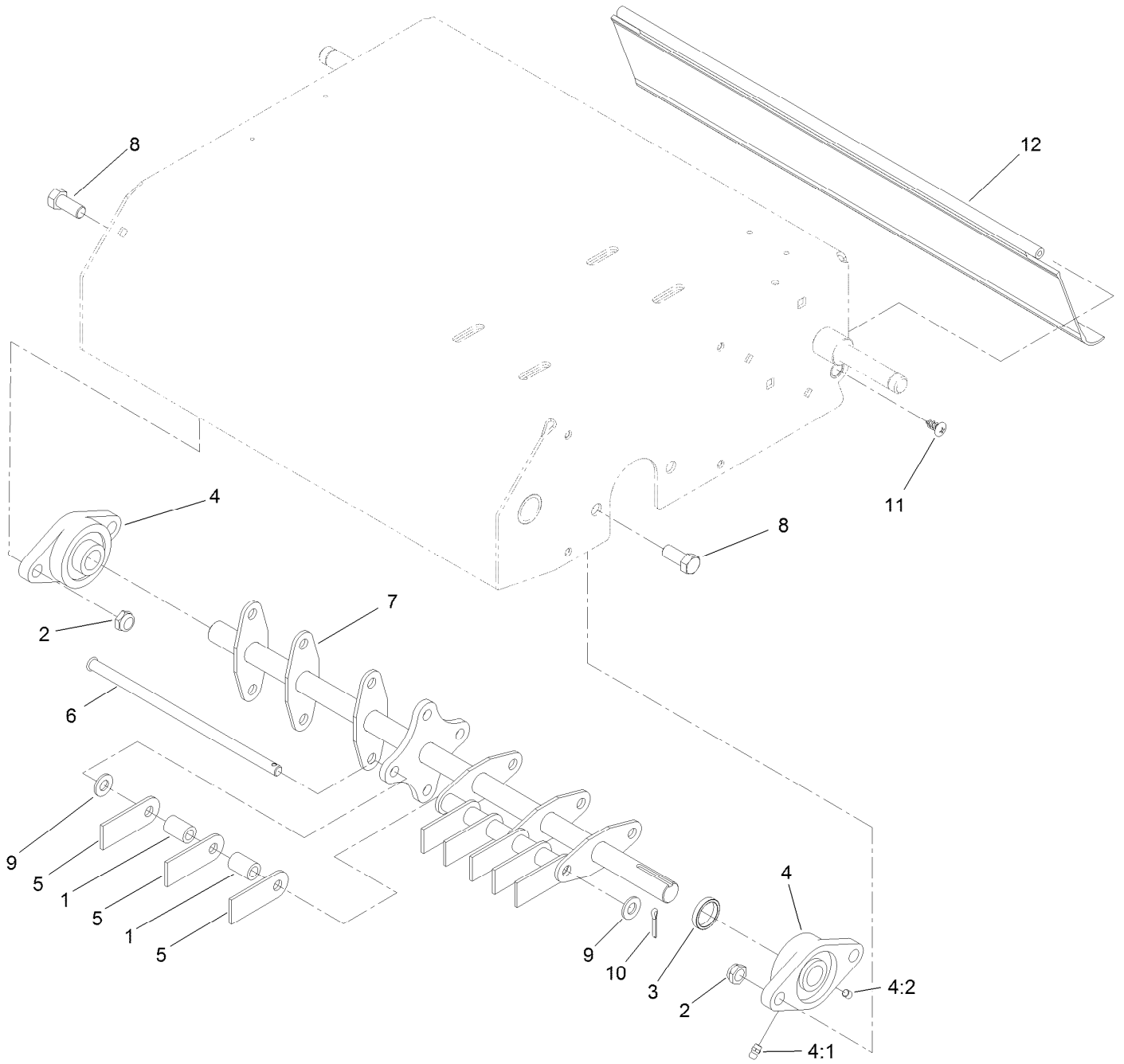
# Handle Assembly



## Handle Assembly (continued)

| <i>Ref.</i> | <i>Part Number</i> | <i>Qty.</i> | <i>Description</i> | <i>Ref.</i> | <i>Part Number</i> | <i>Qty.</i> | <i>Description</i> |
|-------------|--------------------|-------------|--------------------|-------------|--------------------|-------------|--------------------|
| 1           | 104-8300           | 4           | Nut-Flange, NI     | 19          | 3290-378           | 2           | Tie-Cable          |
| 2           | 104-8301           | 2           | Nut-Flange, NI     | 20          | 3296-56            | 2           | Nut-Lock, NI       |
| 4           | 109-2713           | 2           | Bushing            | 21          | 1-513658           | 2           | Bumper             |
| 5           | 109-8144           | 2           | Bolt-Handle        | 41          | 127-4042           | 1           | Harness-Wire       |
| 8           | 127-4026           | 1           | Bail               | 41:3        | 32180-037          | 1           | Clip-Harness       |
| 10          | 127-4027-03        | 1           | Bracket-Throttle   | 42          | 100-1268           | 1           | Switch-Plunger     |
| 11          | 125-3621-03        | 2           | Handle             | 43          | 120-1887           | 1           | Plug-Engine        |
| 12          | 121-4870           | 2           | Plug               | 44          | 121-4409           | 1           | Spring-Extension   |
| 13          | 121-6202           | 2           | Ring-Handle Lock   | 45          | 3272-10            | 1           | Pin-Cotter         |
| 14          | 125-3800-03        | 1           | Handle-Upper       | 46          | 127-4061           | 1           | Decal-Throttle     |
| 16          | 127-4048           | 1           | Cable-Throttle     | 47          | 3290-500           | 2           | Screw-PPH          |
| 17          | 3230-10            | 4           | Screw-CARR         | 48          | 3296-2             | 2           | Nut-Lock, NI       |
| 18          | 3231-6             | 2           | Screw-CARR         |             |                    |             |                    |

# Bearing and Shaft Assembly

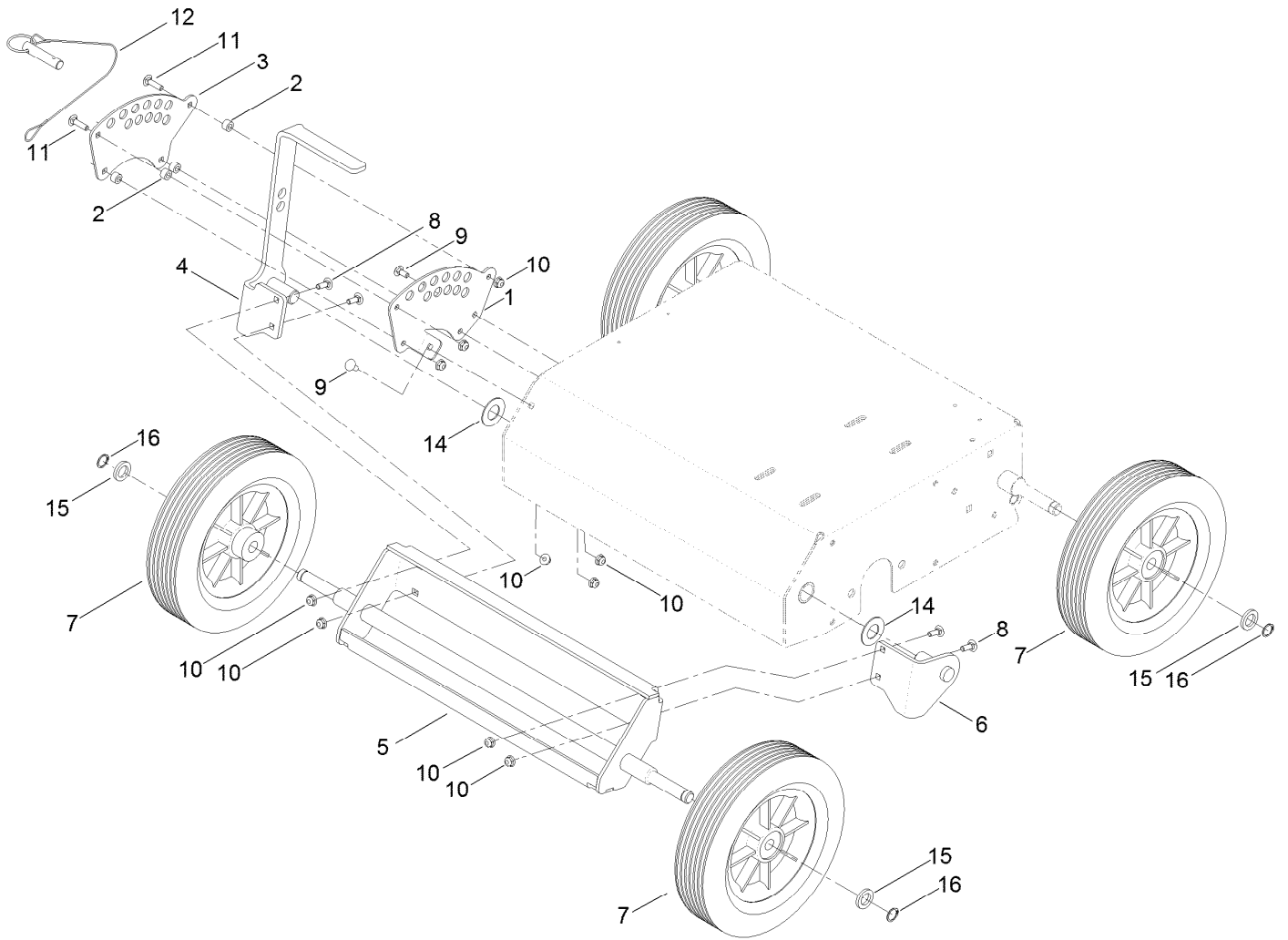




## Bearing and Shaft Assembly (continued)

| <i>Ref.</i> | <i>Part Number</i> | <i>Qty.</i> | <i>Description</i> | <i>Ref.</i> | <i>Part Number</i> | <i>Qty.</i> | <i>Description</i> |
|-------------|--------------------|-------------|--------------------|-------------|--------------------|-------------|--------------------|
| 1           | 125-3870           | 28          | Spacer             | 6           | 121-6208           | 4           | Shaft-Satellite    |
| 2           | 3296-38            | 4           | Nut-Lock, NI       | 7           | 121-6220-03        | 1           | Shaft-Rake         |
| 3           | 116-5805           | 1           | Collar             | 8           | 3212-4             | 4           | Screw-HH           |
| 4           | 106-7126           | 2           | Bearing-Flange     | 9           | 3256-24            | 8           | Washer-Flat        |
| 4:1         | 302-58             | 1           | Fitting-Straight   | 10          | 3272-10            | 4           | Pin-Cotter         |
| 4:2         | 3245-35            | 2           | Screw-Set, HSH     | 11          | 117-1092           | 2           | Screw-PTH          |
| 5           | 121-1869           | 32          | Blade-Flail        | 12          | 120-6241           | 1           | Shield-Trailing    |

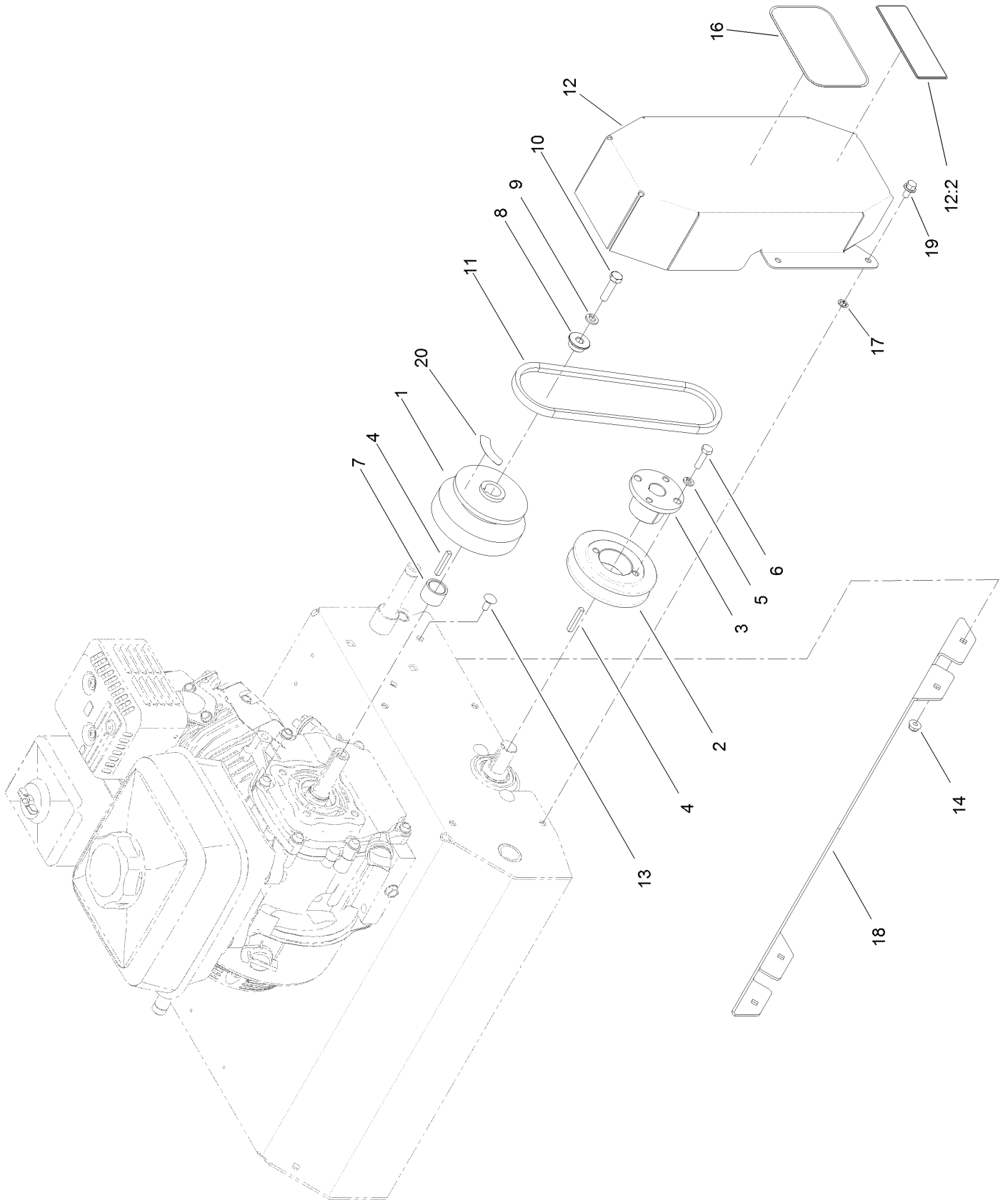
# Transport-Wheel Assembly



## Transport-Wheel Assembly (continued)

| <i>Ref.</i> | <i>Part Number</i> | <i>Qty.</i> | <i>Description</i>     | <i>Ref.</i> | <i>Part Number</i> | <i>Qty.</i> | <i>Description</i>  |
|-------------|--------------------|-------------|------------------------|-------------|--------------------|-------------|---------------------|
| 1           | 121-1854           | 1           | Bracket                | 9           | 3229-11            | 2           | Screw-CARR          |
| 2           | 98-4799            | 4           | Spacer                 | 10          | 104-7201           | 10          | Nut-Flange, NI      |
| 3           | 121-1856           | 1           | Plate                  | 11          | 3229-2             | 4           | Screw-CARR          |
| 4           | 125-3599-03        | 1           | Bracket-Adjust, Height | 12          | 104-3678           | 1           | Pin-Hitch           |
| 5           | 125-3626-03        | 1           | Bracket-Wheel, HOC     | 14          | 3256-39            | 2           | Washer-Flat         |
| 6           | 125-3600-03        | 1           | Bracket-Wheel          | 15          | 63-9710            | 4           | Spacer-Bearing      |
| 7           | 120-3560           | 4           | Wheel-10 Inch          | 16          | 32120-64           | 4           | Ring-Snap, External |
| 8           | 3229-1             | 4           | Bolt-CARR              |             |                    |             |                     |

# Belt Guard Assembly



## Belt Guard Assembly (continued)

| <i>Ref.</i> | <i>Part Number</i> | <i>Qty.</i> | <i>Description</i> | <i>Ref.</i> | <i>Part Number</i> | <i>Qty.</i> | <i>Description</i> |
|-------------|--------------------|-------------|--------------------|-------------|--------------------|-------------|--------------------|
| 1           | 120-1215           | 1           | Clutch-Centrifugal | 11          | 53-4650            | 1           | V-Belt             |
| 2           | 121-2019           | 1           | Sheave-Taper Lock  | 12          | 125-3827           | 1           | Belt Guard ASM     |
| 3           | 121-2022           | 1           | Bushing-Taper Lock | 12:2        | 93-7321            | 1           | Decal-Danger       |
| 4           | 92-2649            | 2           | Key-Square         | 13          | 3229-11            | 4           | Screw-CARR         |
| 5           | 3253-3             | 2           | Washer-Lock        | 14          | 104-7201           | 4           | Nut-Flange, NI     |
| 6           | 321-6              | 2           | Screw-HH           | 16          | 67-1300            | 1           | Decal              |
| 7           | 121-7731           | 1           | Spacer             | 17          | 1-803037           | 4           | Nut-Retaining      |
| 8           | 121-7732           | 1           | Bushing            | 18          | 121-6235-01        | 1           | Baffle-Deflector   |
| 9           | 3253-4             | 1           | Washer-Lock        | 19          | 3234-13            | 4           | Screw-HHF          |
| 10          | 3210-6             | 1           | Screw-HH           | 20          | 125-3897           | 1           | Decal-Warning      |

**Notes:**

**Notes:**



**Count on it.**