

Sunshade Kit

Kit No. 126-8077

Installation Instructions

▲ WARNING

CALIFORNIA Proposition 65 Warning

This product contains a chemical or chemicals known to the State of California to cause cancer, birth defects, or reproductive harm.

Safety Alert Symbol

This Safety Alert Symbol (Figure 1) is used both in this instruction sheet and on the machine to identify important safety messages which must be followed to avoid accidents

This symbol means: **ATTENTION! BECOME ALERT! YOUR SAFETY IS INVOLVED!**



Figure 1
Safety Alert Symbol

The safety alert symbol appears above information which alerts you to unsafe actions or situations and will be followed by the word **DANGER**, **WARNING**, or **CAUTION**.

DANGER: Indicates an imminently hazardous situation which, if not avoided, **Will** result in death or serious injury.

WARNING: Indicates a potentially hazardous situation which, if not avoided, **Could** result in death or serious injury.

CAUTION: Indicates a potentially hazardous situation which, if not avoided, **May** result in minor or moderate injury.

This manual uses two other words to highlight information.

Important calls attention to special mechanical information and **Note** emphasizes general information worthy of special attention.

▲ WARNING

While maintenance or adjustments are being made, someone could start the engine. Accidental starting of the engine could seriously injure you or other bystanders.

Remove the key from the ignition switch, engage parking brake, and pull the wire(s) off the spark plug(s) before you do any maintenance. Also push the wire(s) aside so it does not accidentally contact the spark plug(s).

Note: Determine the left and right sides of the machine from the normal operating position.

Note: Park the unit on a level surface. Make sure all moving parts have stopped, parking brake is engaged, the key has been removed, and the spark plug wire has been disconnected. Allow unit to cool before starting these instructions.



Loose Parts

Use the chart below to verify that all parts have been shipped.

Item No.	Part No.	Description	Qty
1	116-0588	Bracket– Front Bow Mount	2
2	116-0592	Bow– Front	1
3	116-0594	Bow–Rear	1
4	116-0587	U-Bolt	2
5	3256-4	Washer-3/8 Std	8
6	3296-39	Nut-Nyloc 3/8-16	8

Item No.	Part No.	Description	Qty
7	126-8464	Cover-Canvas	1
8	116-0591	Asm-Strap	2
9	126-5467	Clamp-Inner Channel	2
10	3231-22	Bolt-Carriage 3/8-16 X 1	4
11	3231-24	Bolt-Carriage 3/8-16 X 3 3/4	4
12	126-5862	Clamp-Outer Channel	2

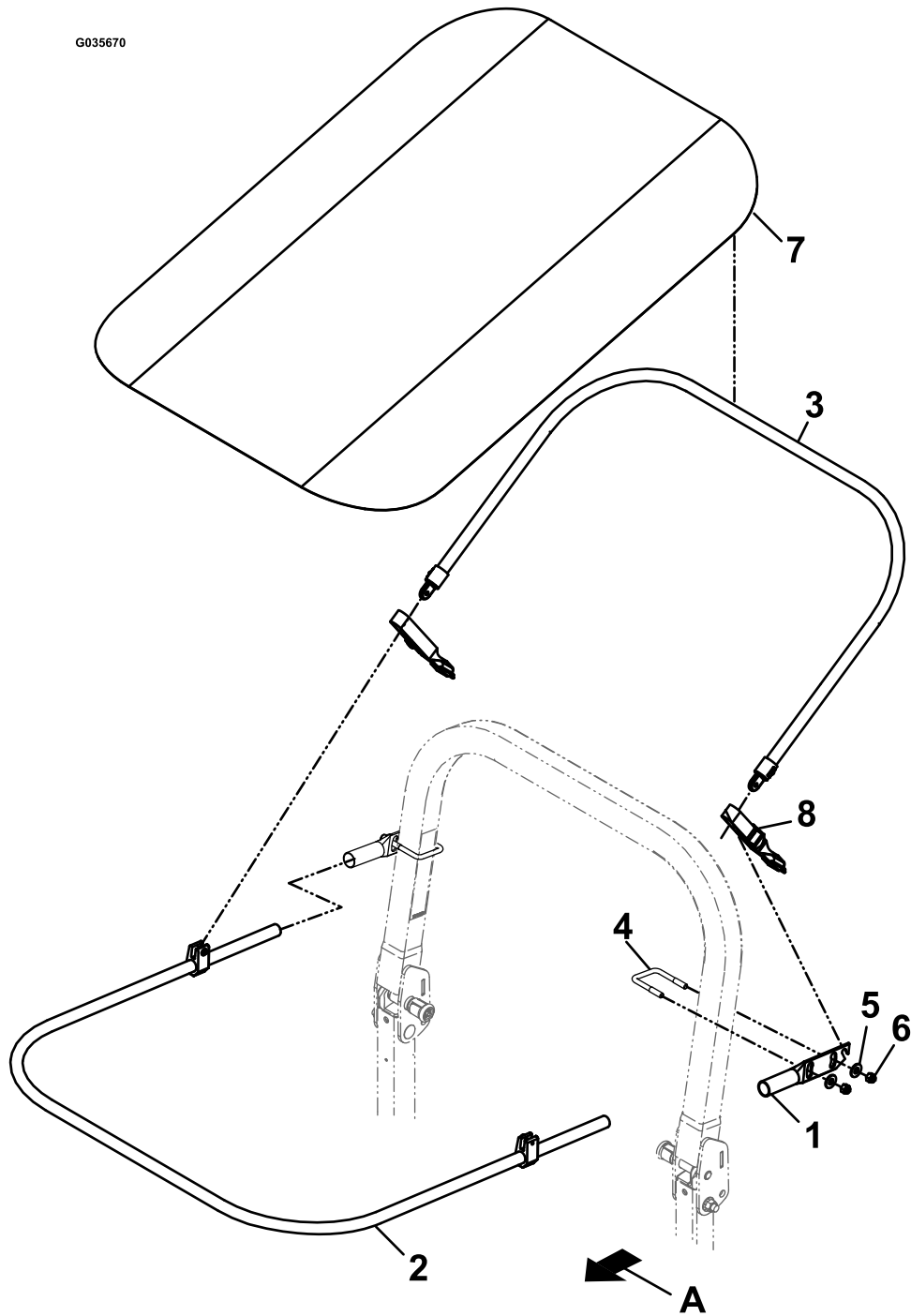


Figure 2
Square Tube ROPS

A. Front of the machine

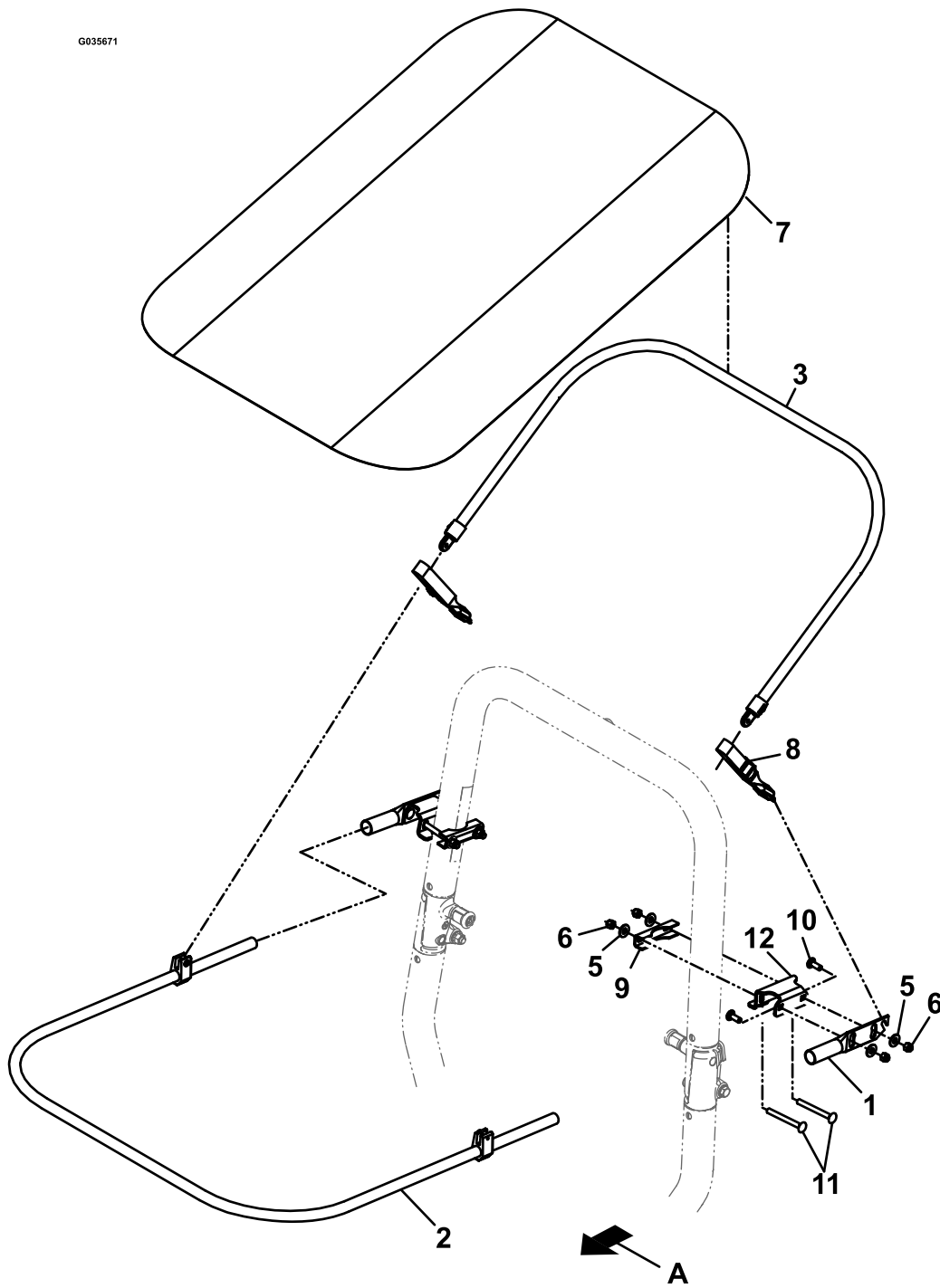


Figure 3
Round Tube ROPS

A. Front of the machine

Assembling the Sunshade

1. Remove the contents from the box.
2. Unfold the canvas cover onto a flat surface with the sewn pockets facing up.
3. Slide the front bow through the front pocket of the canvas with the fittings pointing downward as shown in [Figure 4](#).

Note: The tag indicates the back of the canvas cover.

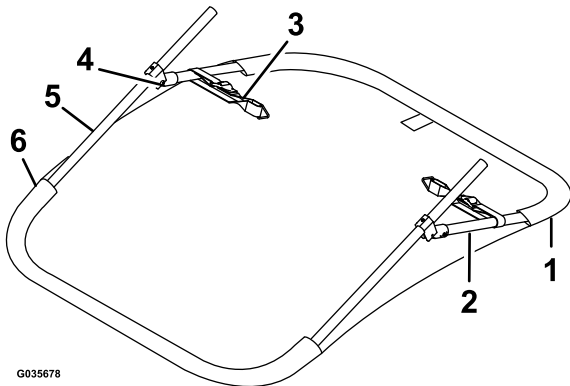


Figure 4

- | | |
|-----------------------|-----------------|
| 1. Rear canvas pocket | 4. Screw |
| 2. Rear bow | 5. Front bow |
| 3. Strap | 6. Front pocket |

4. Slide the rear bow through the rear pocket of the canvas cover.
5. Install the straps by sliding the sewn loop with cinch-loc onto the ends of the rear bow past the fittings.
6. Remove the screw from the front bow fitting. Align the holes in the front and rear fittings and re-install the screw.
7. Turn the canvas assembly over and fold together.

Installing the Sunshade

1. Position the mount brackets, on each side of the roll bar, to face upward and towards the front of the machine.

- **For Square ROPS:**

- A. Loosely install the U-bolts, washers, and nuts as shown in [Figure 5](#).
- B. Slide the front bow mount bracket close to the radius in the roll bar. Tighten the hardware, but leave loose for adjustments.

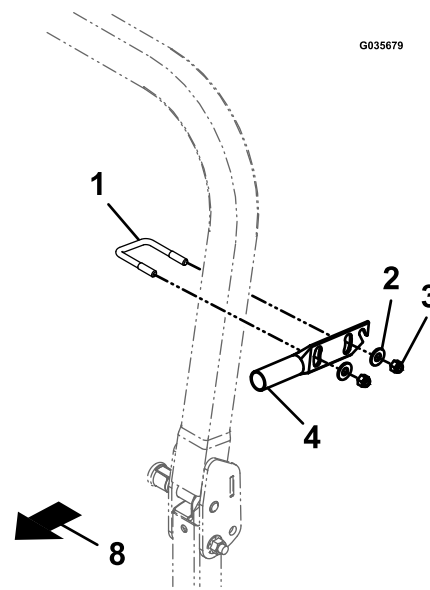


Figure 5

- | | |
|-----------------------|----------------------------|
| 1. U-bolt | 4. Front bow mount bracket |
| 2. Washer | 5. Front of the machine |
| 3. 3/8 inch nyloc nut | |

- **For Round ROPS:**

- A. Assemble the front bow mount bracket to the outer channel clamp using two 3/8-16 x 1 inch screws, flat washers, and 3/8 inch nyloc nuts as shown in [Figure 6](#).

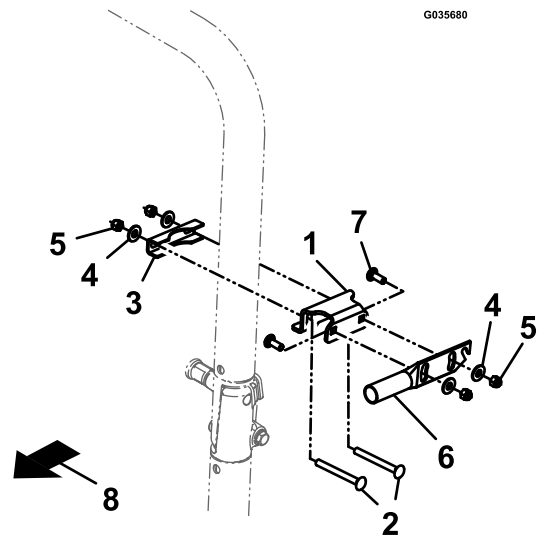


Figure 6

- | | |
|------------------------------|----------------------------|
| 1. Outer channel clamp | 5. 3/8 inch nyloc nut |
| 2. 3/8-16 x 3 3/4 inch screw | 6. Front bow mount bracket |
| 3. Inner channel clamp | 7. 3/8-16 x 1 inch screw |
| 4. Flat washer | 8. Front of the machine |

- B. Assemble the inner and outer channel clamps close to the radius in the roll bar. Tighten the hardware, but leave loose for adjustments

2. Position the canvas assembly so that the folded portion is facing up as shown
3. Insert the front bow tubes into the mount brackets and apply light pressure to seat.
4. Unfold the canvas assembly.
5. Hook the triangular rings, located on the straps, onto the front bow mount brackets.

G035682

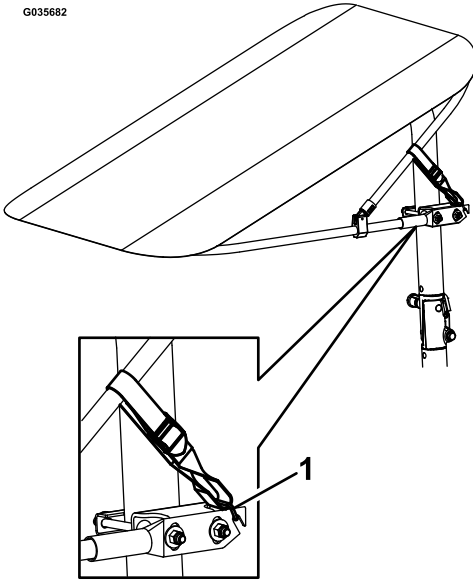


Figure 7

1. Triangular ring

6. Adjust the straps on both sides until the canvas tightens and the front and back appear centered and level.
7. Tighten the mount bracket hardware.

Important: The sunshade is not designed for highway speeds. Remove the canvas assembly before transporting the unit in an open truck or trailer or damage may occur.

Removing the Sunshade

1. Apply downward pressure on the rear bow of the canvas assembly and unhook the triangular rings from the mount brackets.

G035699

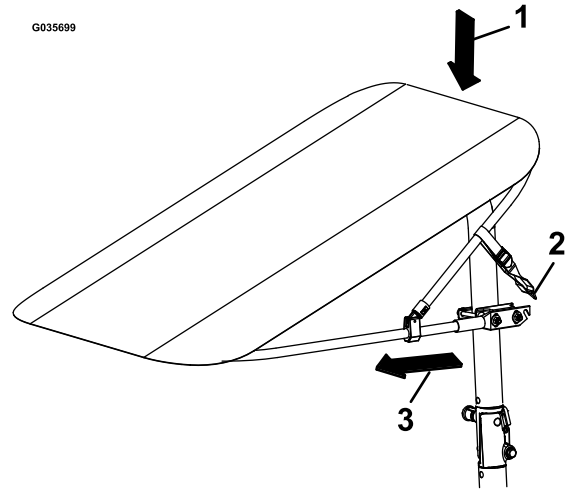


Figure 8

1. Press downward
2. Unhook triangle ring
3. Pull outward

2. Fold the canvas assembly
3. Pull outward on the canvas assembly to remove the front bow tubes from the mount brackets.
4. The mount brackets Do Not need to be removed.