



Count on it.

Parts Catalog

**36RD Mid-Size Rear-Discharge
Deck**

Model No. 02711—Serial No. 31600001 and Up



Ordering Replacement Parts

To order replacement parts, please supply the part number, the quantity, and the description of each part desired.

Understanding Reference Numbers

Each identified part in an illustration has a reference number. The reference number for a part also appears in the parts list, along with other information about the part.

This catalog uses two special reference number formats, one to indicate parts in a service assembly and another to indicate the quantity of a given part in an illustration.

Service Assembly Reference Numbers

Parts in service assemblies have reference numbers in the form a:b. The a represents the reference number of the entire service assembly and the b represents a sequential number unique to each part within the service assembly.

For example, a wheel assembly might be identified by reference number 6, the tire by 6:1, the valve by 6:2, and the wheel by 6:3. When you order the assembly identified by reference number 6, you receive all parts identified by reference numbers 6:1, 6:2, and 6:3. However, you may also order any part individually. Reference numbers of this type appear in illustration and in parts lists.

Reference Numbers Indicating Quantity

In an illustration, if a reference number indicates more than one part, the reference number has the form nX y. The n represents the quantity of the part, the X is the multiplication symbol, and the y represents the reference number.

For example, in an illustration, the reference number 2X 37 means that two of the parts identified by reference number 37 are indicated.

List of Abbreviations

AR: as required

ASM: assembly

BBC: blade brake control

BHTF: button head thread forming

CARR: carriage

CCW: counter clockwise

CW: clockwise

DEG: degrees

DPA: Dual Point Adjustment

ECM: electronic control module

EXT: external

FH: flat head

GA: gauge

HD: heavy-duty

HF: hex flange

HH: hex head

HHF: hex head flange

HHFTF: hex head flange thread forming

HJ: hex jam

HLH: hex lag head

HOC: height-of-cut

HP: high pressure

HSBH: hex socket button head

HSFH: hex socket flat head

HSH: hex socket head

HWH: hex washer head

HWHTF: hex washer head thread forming

HYD: hydraulic

LH: left hand

LP: low pressure

LPG: Liquefied Petroleum Gas

NI: nylon insert

NPTF: national pipe thread fine

PFH: phillips flat head

PPH: phillips pan head

PPHTF: phillips pan head thread forming

PRH: phillips round head

PTH: phillips truss head

PTO: power-take-off

RH: right hand

ROPS: roll-over protection system

RRB: rear roller brush

SFH: slotted fillister head

SHH: slotted hex head

SHWH: slotted hex washer head

SPH: slotted pan head

SQH: square head

SRH: slotted round head

STD: standard

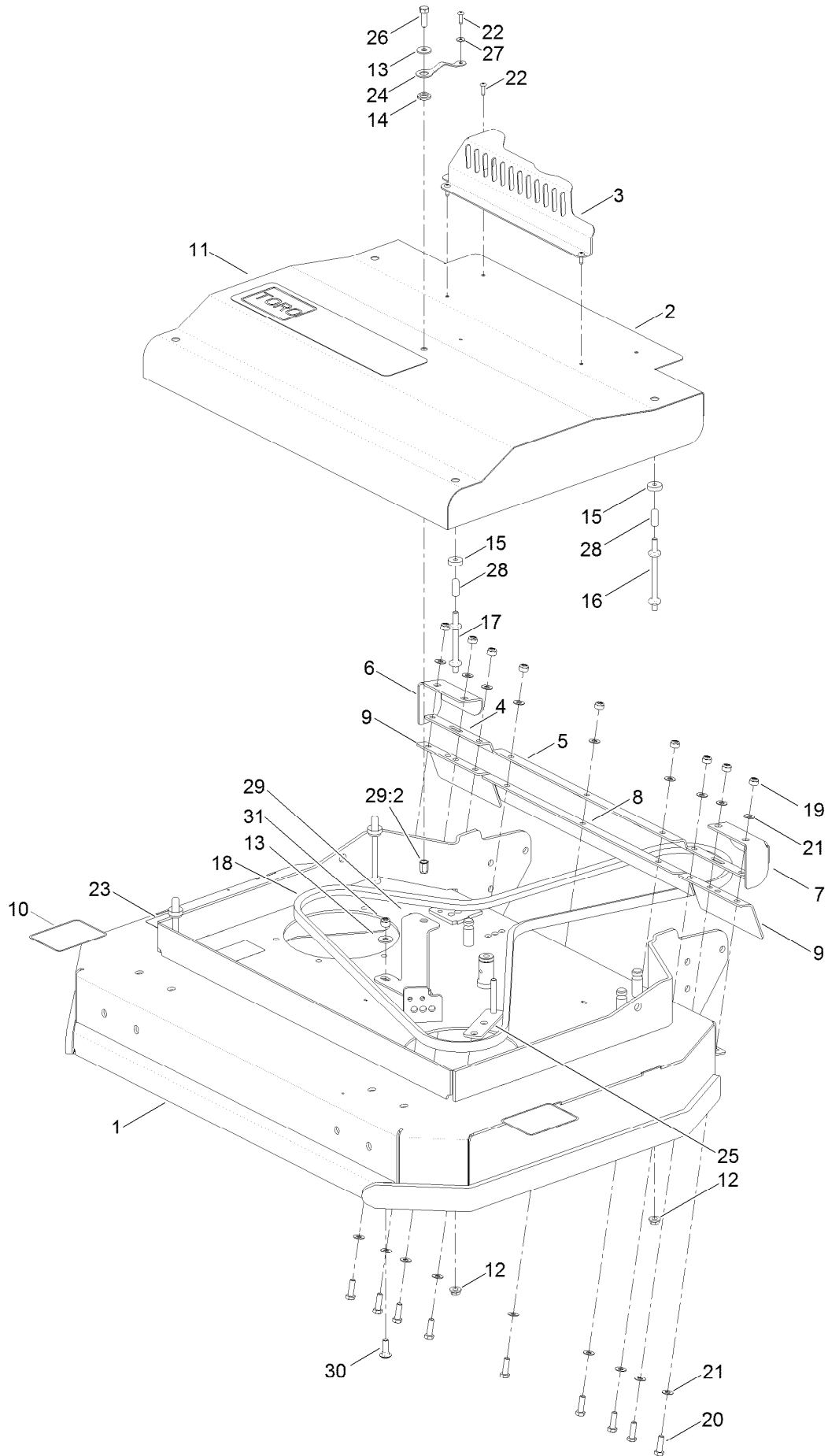
TAP: self tapping

TTH: torx truss head

Contents

Deck, Cover and Guard Assembly	4
Sheave, Spindle and Blade Assembly	6
Idler and Brake Assembly	8
Caster Assembly	10
Guard and Drag Shield Assembly	12

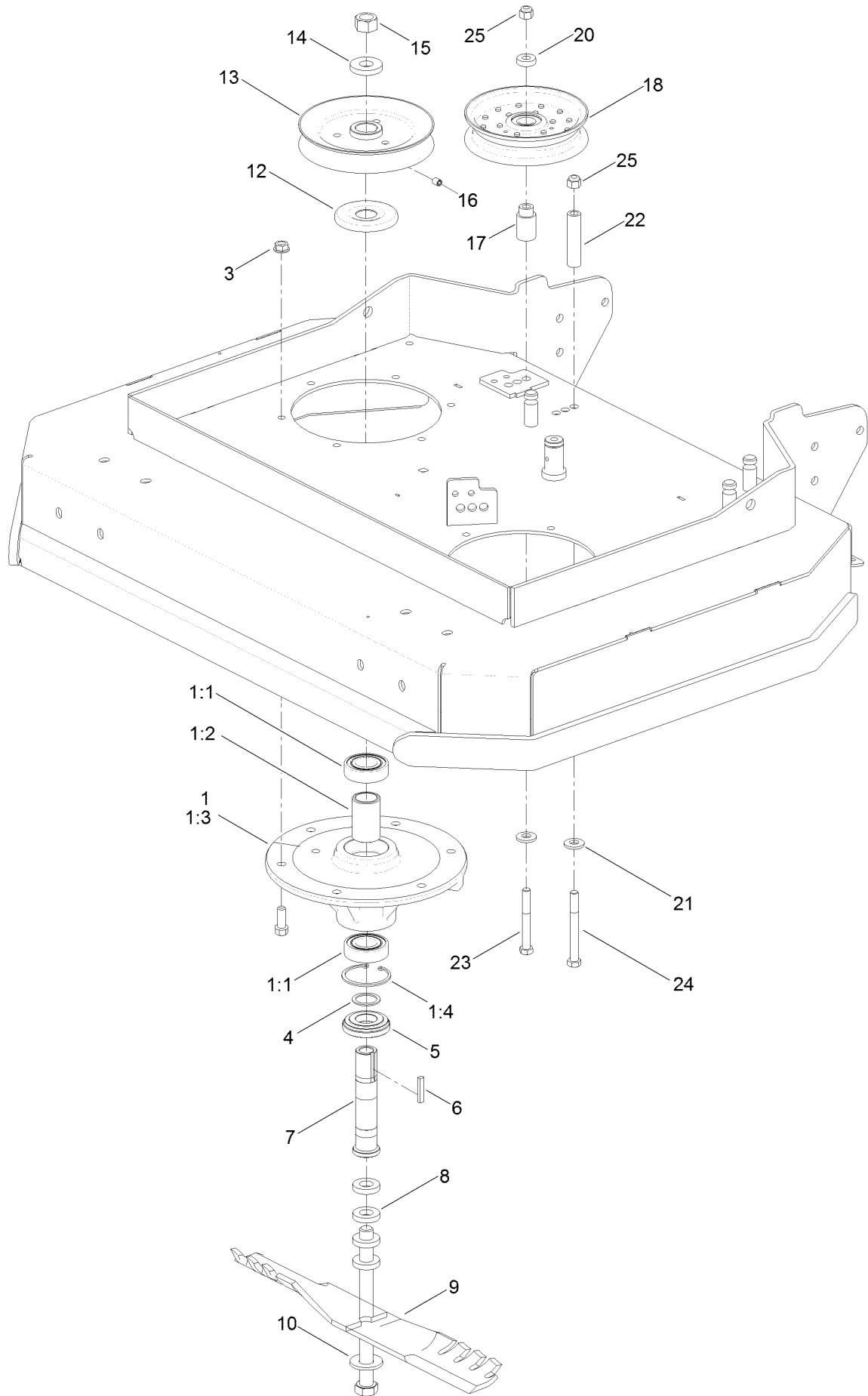
Deck, Cover and Guard Assembly



Deck, Cover and Guard Assembly (continued)

<i>Ref.</i>	<i>Part Number</i>	<i>Qty.</i>	<i>Description</i>	<i>Ref.</i>	<i>Part Number</i>	<i>Qty.</i>	<i>Description</i>
1	111-1330-01	1	36 Inch Deck ASM	17	1-303537	2	Stud-Shield, Belt (Short)
2	111-3923-01	1	Cover-Deck	18	111-2478	1	Belt-V
3	111-4929-01	1	Guard-Pipe, Exhaust	19	ZNN3E000U	9	Nut-Nyloc
4	111-1645-01	2	Bracket-Deflector, Side	20	ZDH3E016U	9	Screw-HH
5	111-1545-01	1	Bracket-Deflector, Center	21	09475	18	Washer
6	111-1643-01	1	Guard-Discharge, RH	22	09320	4	Rivet
7	111-1644-01	1	Guard-Discharge, LH	23	111-1979	1	Decal-Noise
8	111-1547	1	Deflector-Centre, Rubber	24	117-8339	1	Lanyard-3 Inch
9	111-1646	2	Deflector-Side, Rubber	25	111-2470-03	1	Guide-Belt
10	40-13-010	2	Decal-Warning	26	03162	1	Screw-HH
11	111-1765	1	Decal-Toro	27	09257	1	Washer
12	32128-20	4	Nut-HF	28	111-3882	4	Cap-End, Rubber
13	09267	3	Washer	29	111-3887	1	Bracket-Guard
14	111-3697	1	Nut-Retainer	29:2	111-7683	1	Nut-Rivet
15	1-323417	4	Washer	30	09373	2	Bolt-Coach
16	1-303536	2	Stud-Shield, Belt (Long)	31	09442	2	Nut

Sheave, Spindle and Blade Assembly

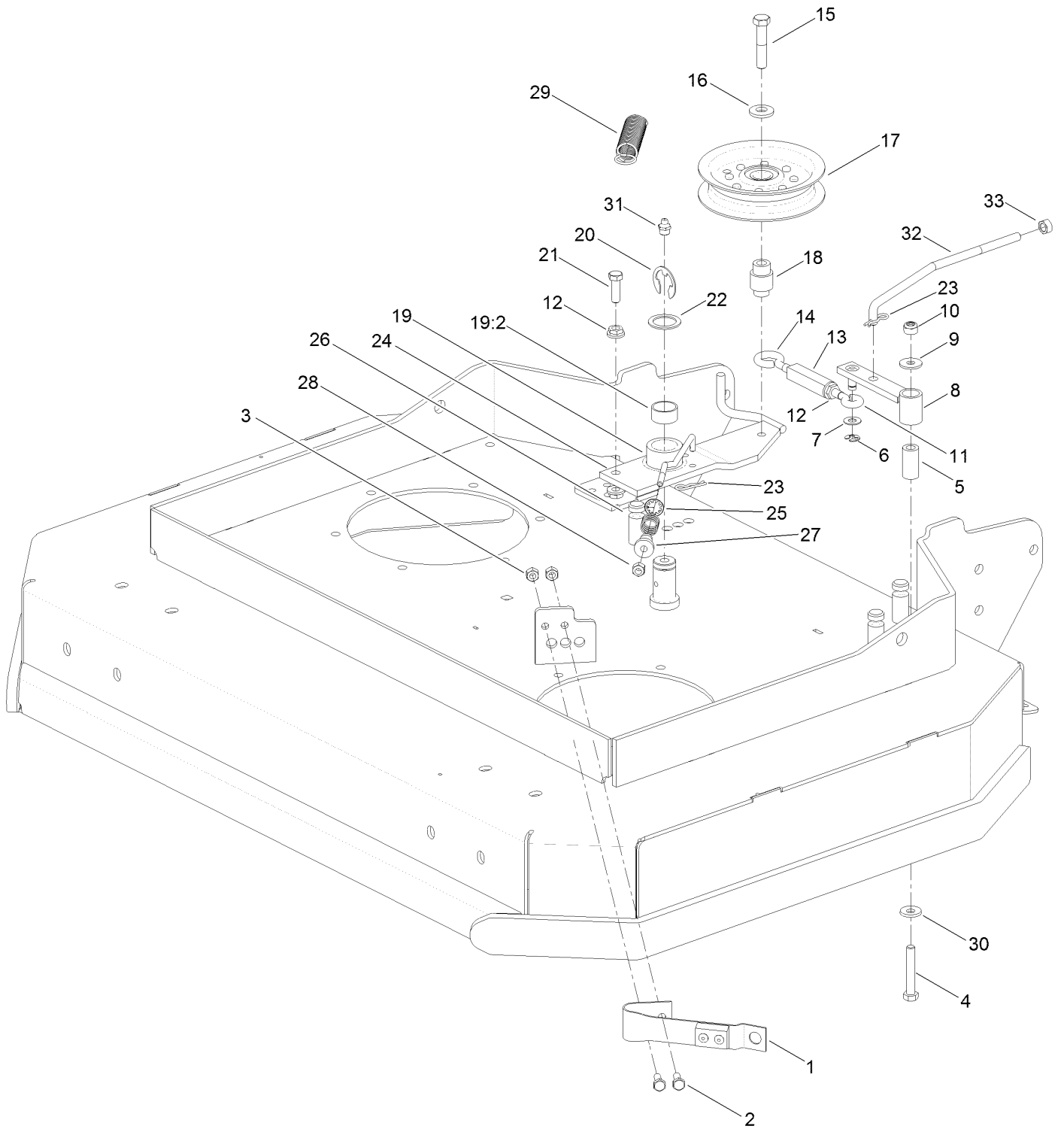


Sheave, Spindle and Blade Assembly (continued)

<i>Ref.</i>	<i>Part Number</i>	<i>Qty.</i>	<i>Description</i>	<i>Ref.</i>	<i>Part Number</i>	<i>Qty.</i>	<i>Description</i>
1	108-6697	2	Spindle Housing ASM	11	1-800861	2	Screw-Cap, HH ●
1:1	119-7857	2	Bearing-Ball, 1 Inch	12	103-1330	2	Guard-Bearing, Top
1:2	110-2116	1	Spacer-Bearing	13	1-403183	2	Sheave
1:3	108-6694	1	Housing-Spindle	14	1-323339	2	Washer-Retainer, Sheave
1:4	32120-8	1	Ring-Snap	15	3219-6	2	Nut-Hex
2	95-1726	12	Screw-Taptite ●	16	1-803310	2	Screw-Set
3	3290-357	12	Nut-HHF, Whiz	17	1-413113	1	Bushing-Idler
4	110-4888	2	Washer-Spacer	18	116-4665	1	Idler-Pulley, Flat
5	103-2535	2	Spacer-Guard, Bottom	20	5-0652	1	Spacer
6	1-807267	2	Key	21	98-5975	2	Washer-Belleville
7	1-323529	2	Tube-Spindle, Short	22	1-403188	1	Spacer
8	1-323539	8	Spacer	23	09353	1	Bolt
9	105-7796-03	2	Blade-Atomic	24	323-15	1	Screw-HH
10	1-513208	2	Washer-Spring	25	3296-39	2	Nut-Lock, NI

● Not illustrated

Idler and Brake Assembly

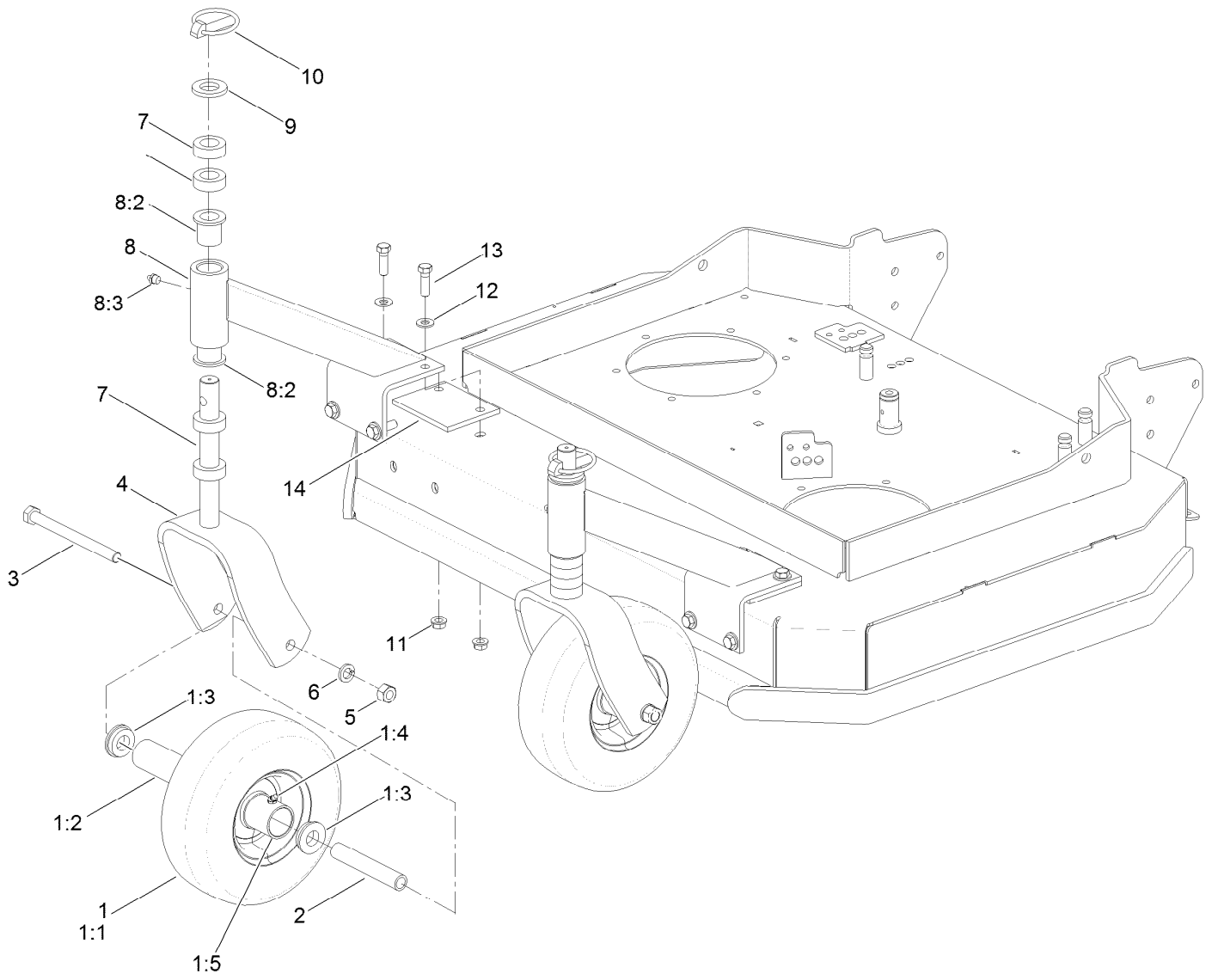


Idler and Brake Assembly (continued)

<i>Ref.</i>	<i>Part Number</i>	<i>Qty.</i>	<i>Description</i>	<i>Ref.</i>	<i>Part Number</i>	<i>Qty.</i>	<i>Description</i>
1	1-324372	1	Pad And Spring ASM	17	116-3626	1	Pulley-Idler
1:1	1-323709	1	Pad-Brake ●	18	1-303434	1	Bushing-Engagement
1:2	1-323710	1	Spring ●	19	103-3600	1	Idler Arm ASM
1:3	103-0138	2	Rivet-Pop ●	19:2	1-323729	2	Sleeve-Bearing
2	09821	2	Screw-HH	20	32151-103	1	Ring-Retaining, EXT
3	3296-42	2	Nut-Lock, NI	21	ZDH3E016U	1	Screw-HH
4	322-10	1	Screw-HH	22	1-303352	1	Washer-Spindle
5	1-403179	1	Tube-Pivot	23	1-806003	2	Pin-Cotter
6	32120-35	1	Ring-Retaining, EXT	24	1-323715	1	Rod-Brake
7	09475	1	Washer	25	1-323748	1	Ring-Push On
8	1-322235	1	Arm-Assist	26	1-323747	1	Spring-Compression
9	09267	1	Washer	27	1-323746	1	Spacer-Flanged
10	ZNN3E000U	1	Nut-Nyloc	28	3296-42	1	Nut-Lock, NI
11	1-303238	1	Eyebolt-Thread, RH	29	1-323071	1	Spring-Extension
12	32128-20	3	Nut-HF	30	1-303334	1	Washer-Spring
13	1-303236	1	Body-Turnbuckle	31	10-11-017	1	Fitting-Straight
14	1-303348	1	Eyebolt-Thread, LH	32	111-1629	1	Rod-Linkage, Drive
15	702809	1	Screw-HH	33	09207	1	Nut
16	98-5975	1	Washer-Belleville				

● Not illustrated

Caster Assembly

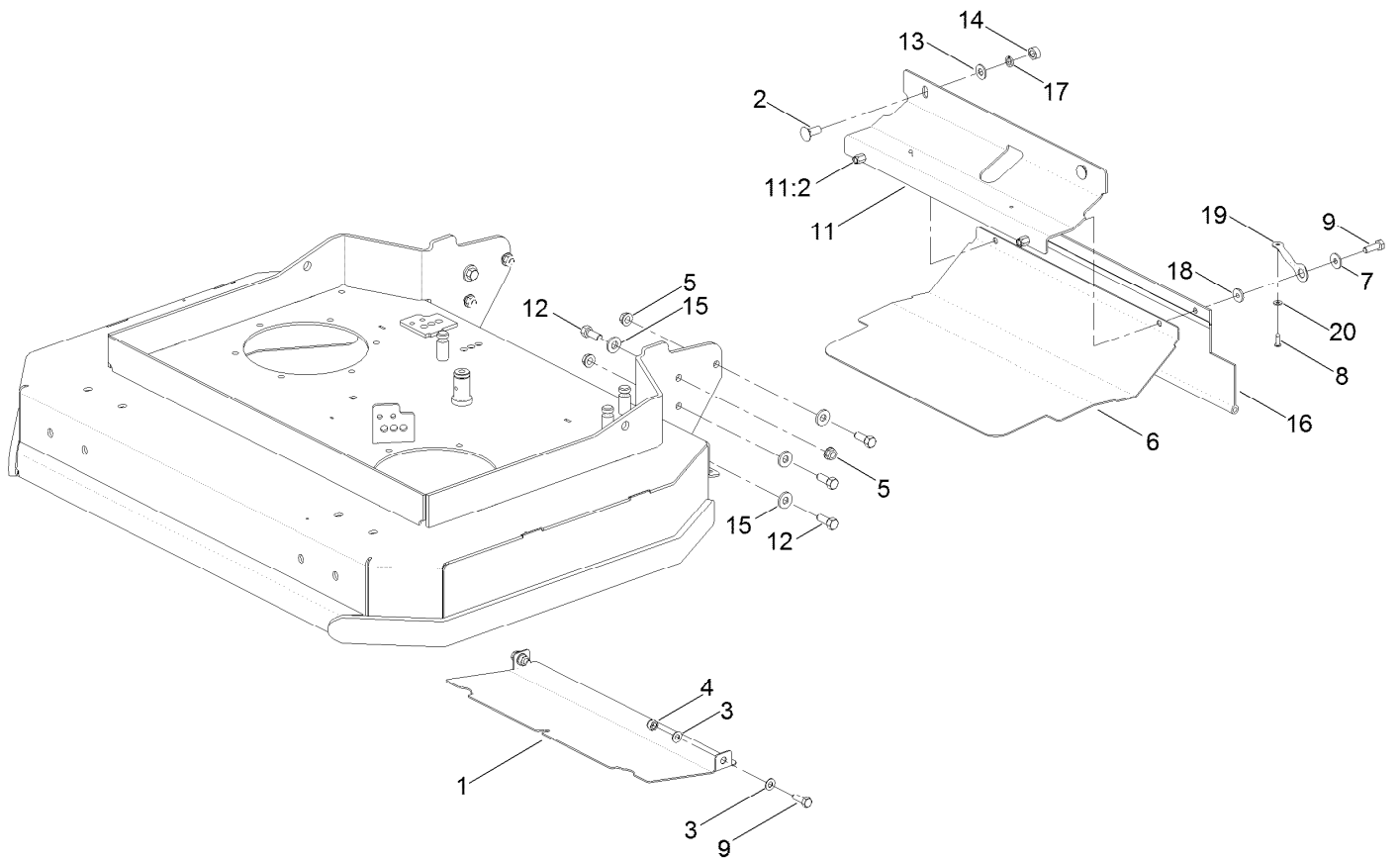


Caster Assembly (continued)

<i>Ref.</i>	<i>Part Number</i>	<i>Qty.</i>	<i>Description</i>	<i>Ref.</i>	<i>Part Number</i>	<i>Qty.</i>	<i>Description</i>
1	110-5023	2	Wheel And Tire ASM	7	1-303314	8	Spacer-Caster
1:1		1	Tire ●	8	110-2130	2	Support ASM
1:2	1-513809	1	Bearing	8:2	1-303514	2	Bearing-Flanged
1:3	1-513810	2	Bushing	8:3	302-52	1	Fitting-Grease
1:4	302-61	1	Fitting-Grease	9	1-513338	2	Washer-Flat
1:5		1	Wheel ●	10	1-809020	2	Pin
2	1-513547	2	Spacer	11	3290-357	8	Nut-HHF, Whiz
3	325-20	2	Screw-HH	12	ZWQ1J000U	8	Washer-Plain
4	116-7942-01	2	Fork-Caster	13	323-7	8	Screw-HH
5	3217-9	2	Nut-HH	14	111-1900-01	2	Spacer-Caster
6	3253-7	2	Washer-Lock				

● Not serviced separately

Guard and Drag Shield Assembly



Guard and Drag Shield Assembly (continued)

<i>Ref.</i>	<i>Part Number</i>	<i>Qty.</i>	<i>Description</i>	<i>Ref.</i>	<i>Part Number</i>	<i>Qty.</i>	<i>Description</i>
1	111-1408-01	1	Guard-Discharge, Center	11:2	111-7683	2	Nut-Rivet
2	15-11-003	2	Bolt-CARR	12	HY103653	8	Screw-HH
3	09475	4	Washer	13	ZWQ1J000U	2	Washer-Plain
4	09441	2	Nut-Hex, NI	14	09449	2	Nut
5	3290-357	8	Nut-HHF, Whiz	15	98-5975	8	Washer-Belleville
6	111-1655-01	1	Guard-Underside	16	103-2056	1	Shield-Drag
7	09267	2	Washer	17	09480	2	Washer-Lock
8	09320	2	Rivet	18	111-3697	2	Nut-Retainer
9	03162	4	Screw-HH	19	117-8339	2	Lanyard-3 Inch
11	111-1986	1	Guard-Drive	20	09257	2	Washer

Notes:

Notes:



Count on it.