



Weight Kit
GrandStand® Mower
 Model No. 133-1428

Installation Instructions

⚠ WARNING

CALIFORNIA
Proposition 65 Warning

This product contains a chemical or chemicals known to the State of California to cause cancer, birth defects, or reproductive harm.

Installation

Loose Parts

Use the chart below to verify that all parts have been shipped.

Description	Qty.	Use
Weight	1	Install the weights.
Spacer	4	
Washer	4	
Bolt (3/8 x 2-3/4 inch)	2	
Bolt (3/8 x 4 inch)	2	
Bolt (3/8 x 5 inch)	2	
Bolt (3/8 x 6 inch)	2	
Nut	4	

Preparing the Machine

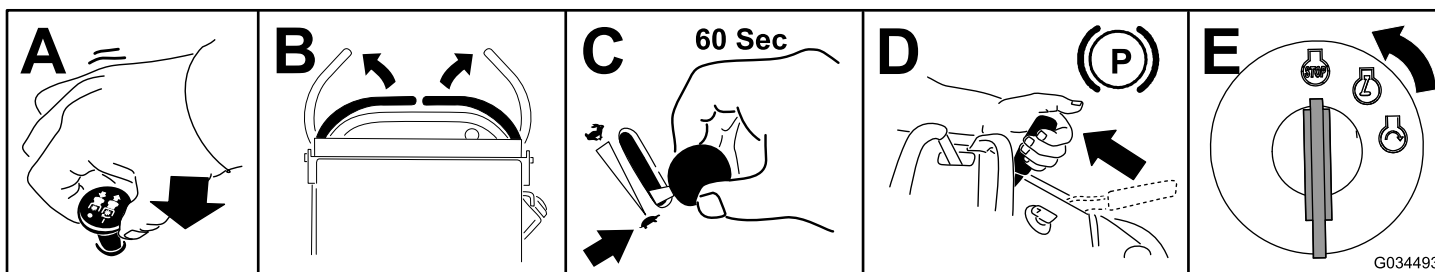


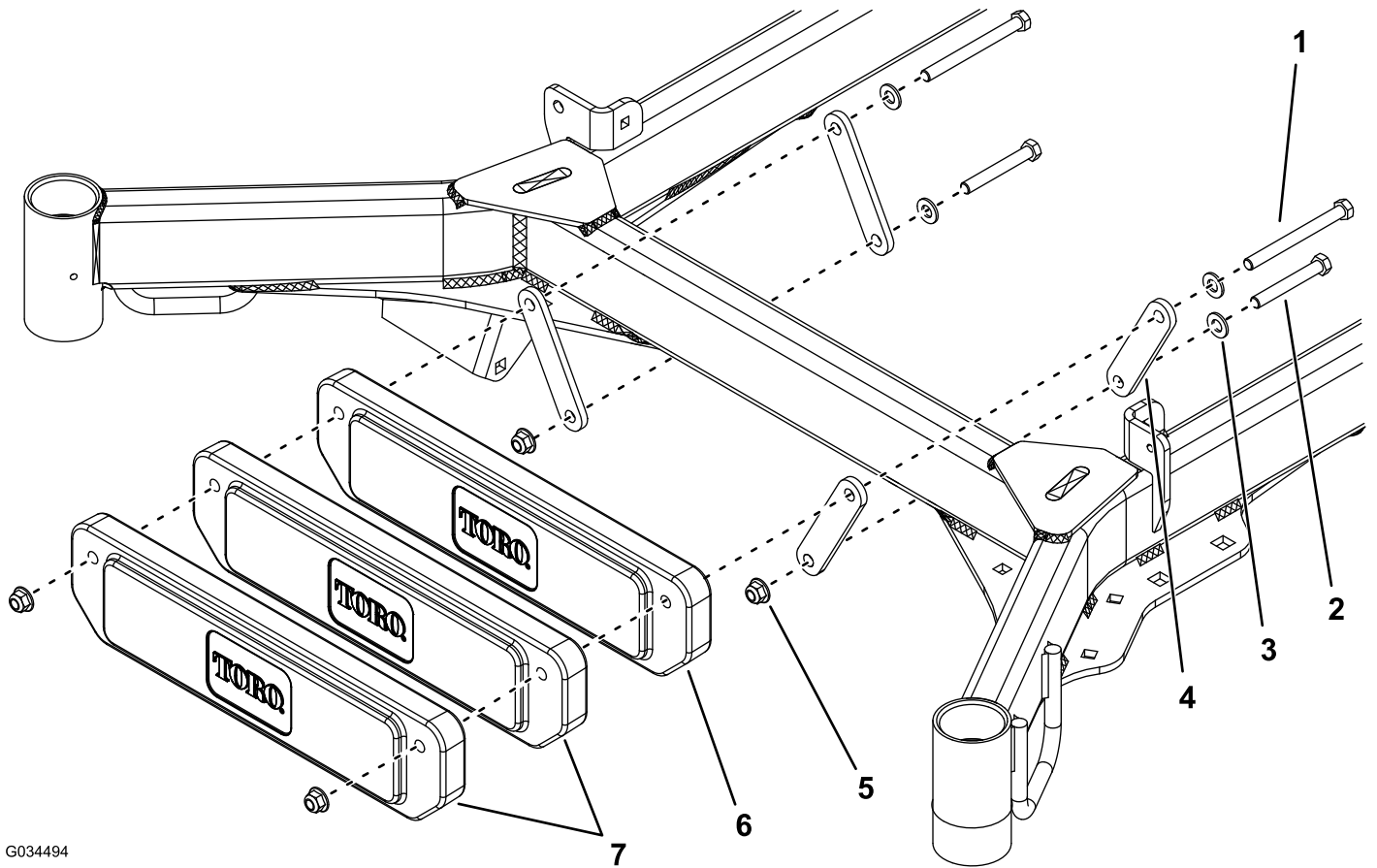
Figure 1



Installing the Weights

This kit includes 1 weight, but you can add additional weights (sold separately) using the longer bolts. Use this table to determine which size bolts to use.

Number of weights	Top bolt size
1	3/8 x 4 inch
2	3/8 x 5 inch
3	3/8 x 6 inch



G034494

Figure 2

1. Top bolt
2. Bolt (3/8 x 2-3/4 inch)
3. Washer
4. Spacer
5. Nut
6. Weight
7. Additional weights (sold separately)