



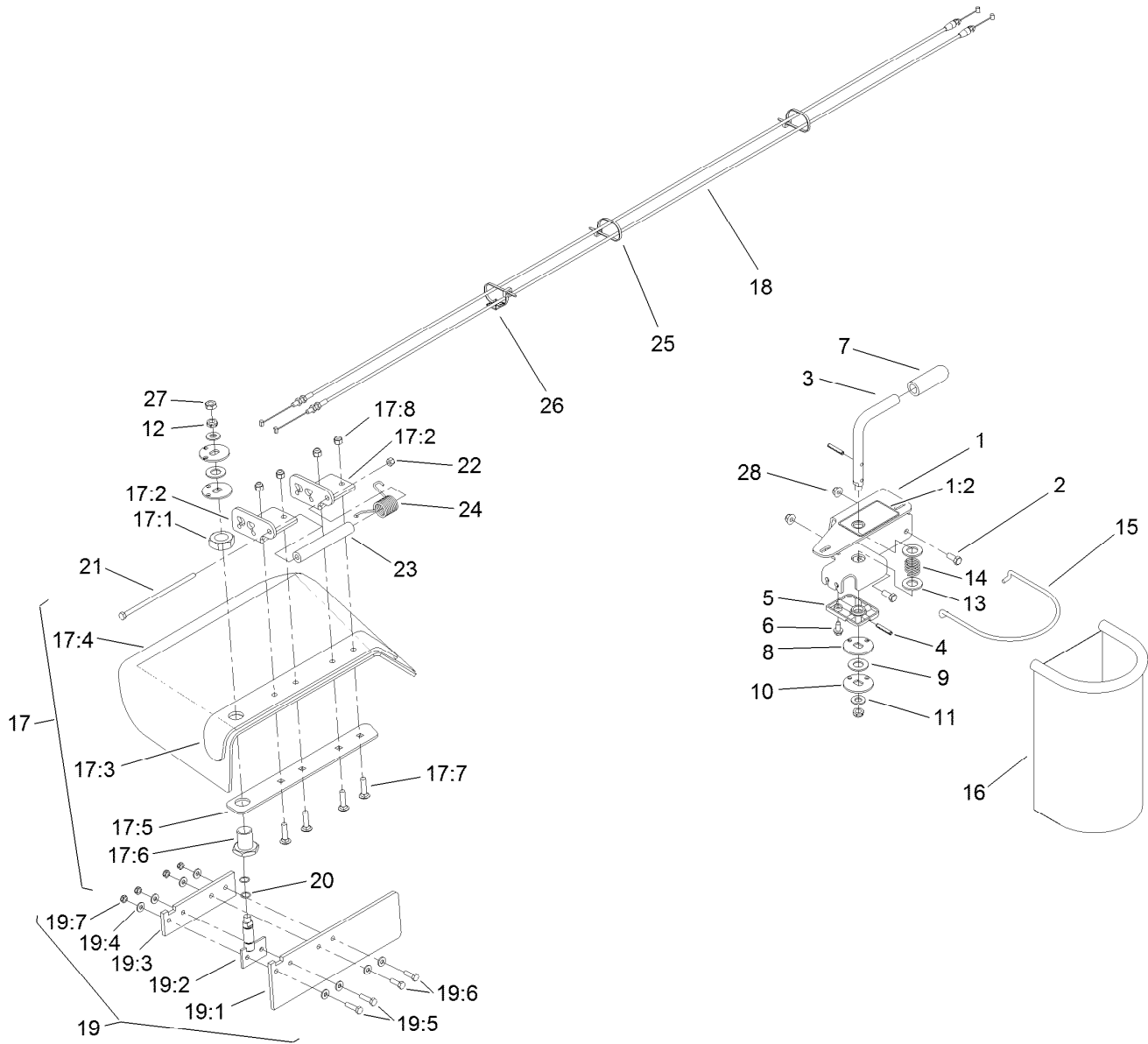
**Count on it.**

**Parts Catalog**

**Chute Gate Kit  
GrandStand® Mower**

Model No. 133-1434

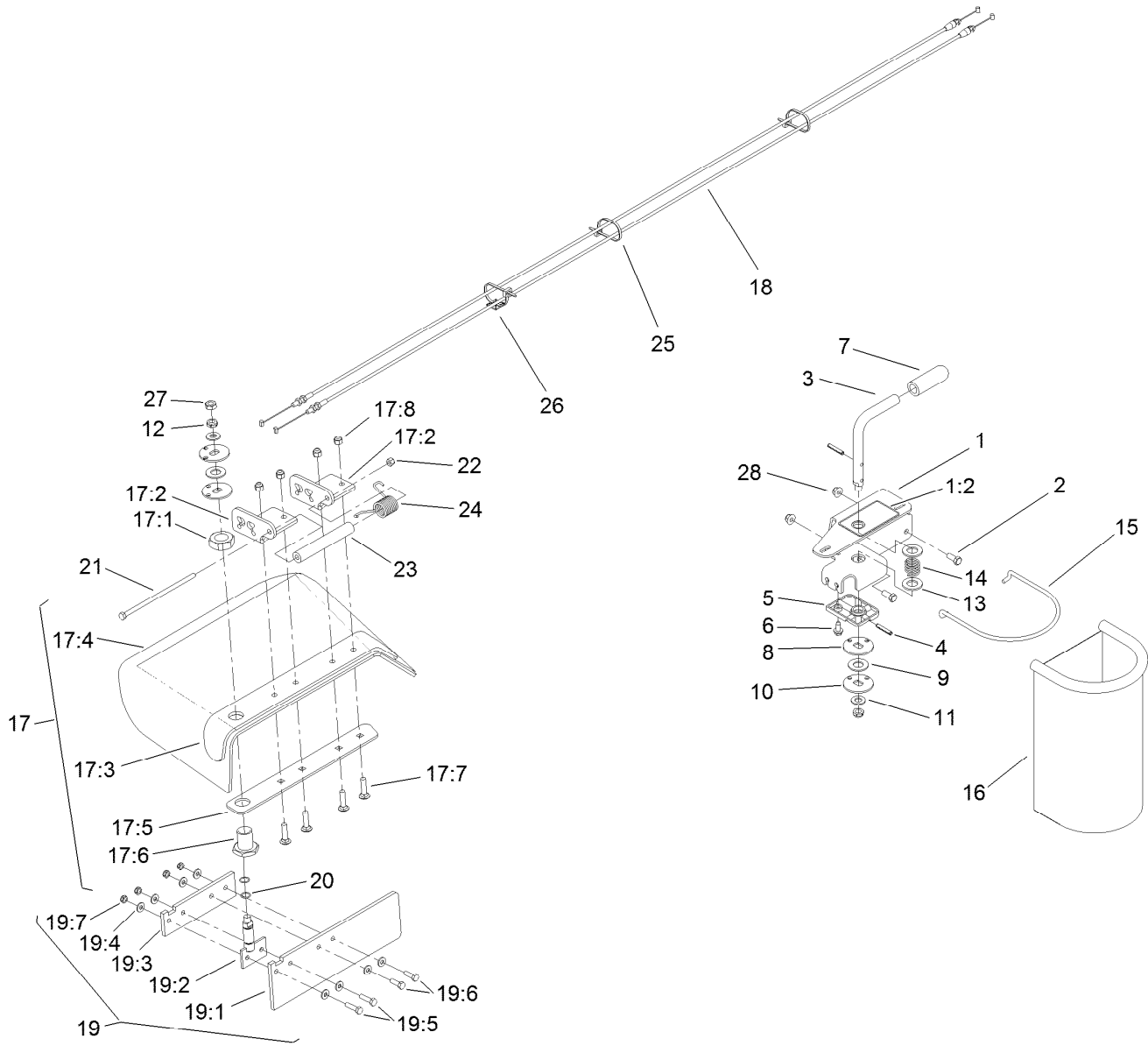




## Chute Gate Kit Assembly

Ref.	Part Number	Qty.	Description	Ref.	Part Number	Qty.	Description
1		1	Control Bracket ASM ●	17:1	67-5840	1	Nut-Jam
1:2	117-8569	1	Decal-Gate, Chute	17:2	108-2241-01	2	Plate-Hinge
2	92-1624	2	Screw-HWH	17:3	108-2245-01	1	Deflector
3	114-1958	1	Handle	17:4	117-0470	1	Deflector-Chute, Rubber
4	32121-15	2	Pin-Roll	17:5	108-2247-03	1	Strap-Discharge
5	108-2231	1	Block-Detent	17:6	108-7215	1	Hub ASM
6	32144-70	1	Screw-HWHTF	17:7	3231-4	4	Screw-CARR
7	108-7221	1	Grip	17:8	3296-39	4	Nut-Lock, NI
8	108-7218	2	Pulley-Top	18	115-4175	2	Cable
9	108-7217	2	Pulley-Middle	19	117-0471	1	Door ASM
10	108-7216	2	Pulley-Bottom	19:1	117-0472	1	Gate-Chute, Rubber
11	3256-26	2	Washer-Flat	19:2	107-8505	1	Hinge-Gate
12	3296-45	2	Nut-Lock, NI	19:3	108-7219	1	Door-Support
13	3256-28	2	Washer-Flat	19:4	3256-2	8	Washer-Flat
14	87-3660	1	Spring-Compression	19:5	322-6	2	Screw-HH
15	117-0546	1	Rod-Bag, Trash	19:6	322-5	2	Screw-HH
16	103-5971	1	Bag-Trash	19:7	3296-47	4	Nut-Lock, NI
17	117-0469	1	Rubber Deflector ASM	20	237-65	2	O-Ring

● Not serviced separately



## Chute Gate Kit Assembly (continued)

<i>Ref.</i>	<i>Part Number</i>	<i>Qty.</i>	<i>Description</i>
21	322-50	1	Screw-HH
22	3296-29	1	Nut-Lock, NI
23	105-4622	1	Spacer
24	108-4052	1	Spring-Torsion

<i>Ref.</i>	<i>Part Number</i>	<i>Qty.</i>	<i>Description</i>
25	3290-378	3	Tie-Cable
26	93-3922	1	Mount-Tie, Cable
27	3218-5	1	Nut-Jam
28	104-8301	2	Nut-Flange, NI

● Not serviced separately



**Count on it.**