



**Light Kit**  
**TX 1000 Compact Tool Carrier**  
 Model No. 131-9247

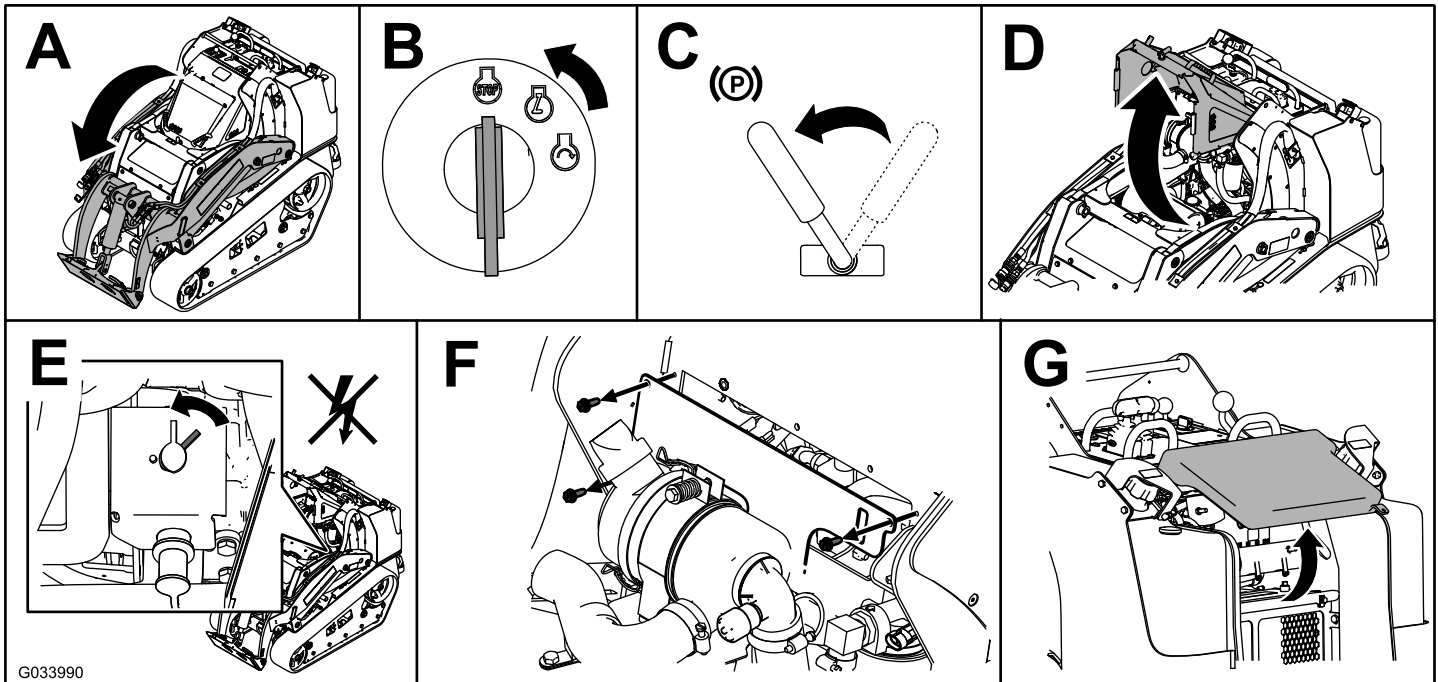
**Installation Instructions**

**⚠ WARNING**

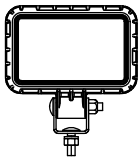
**CALIFORNIA**  
**Proposition 65 Warning**

This product contains a chemical or chemicals known to the State of California to cause cancer, birth defects, or reproductive harm.

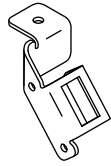
**Preparing the Machine**



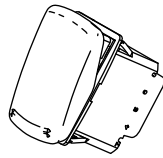
# Installing the Front Light



x 1



x 1



x 1

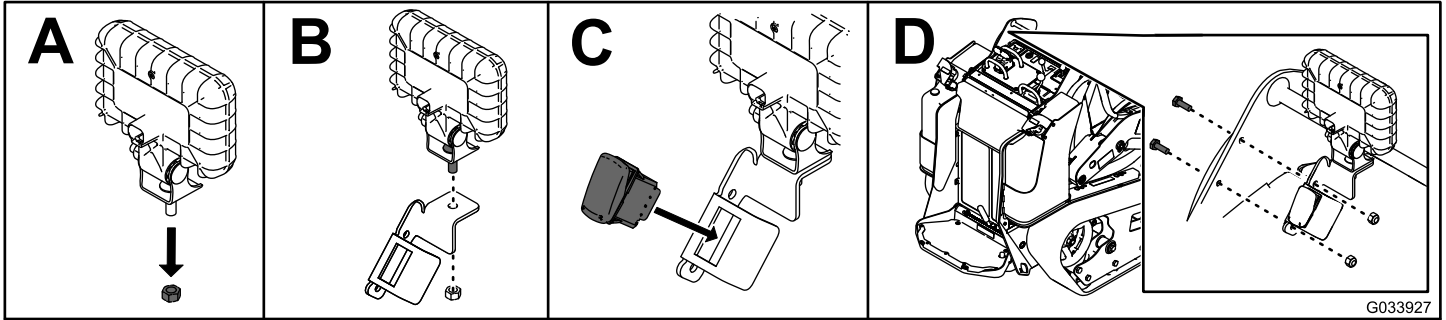


x 2

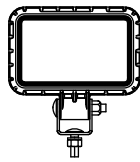


x 2

G033926



# Installing the Rear Light

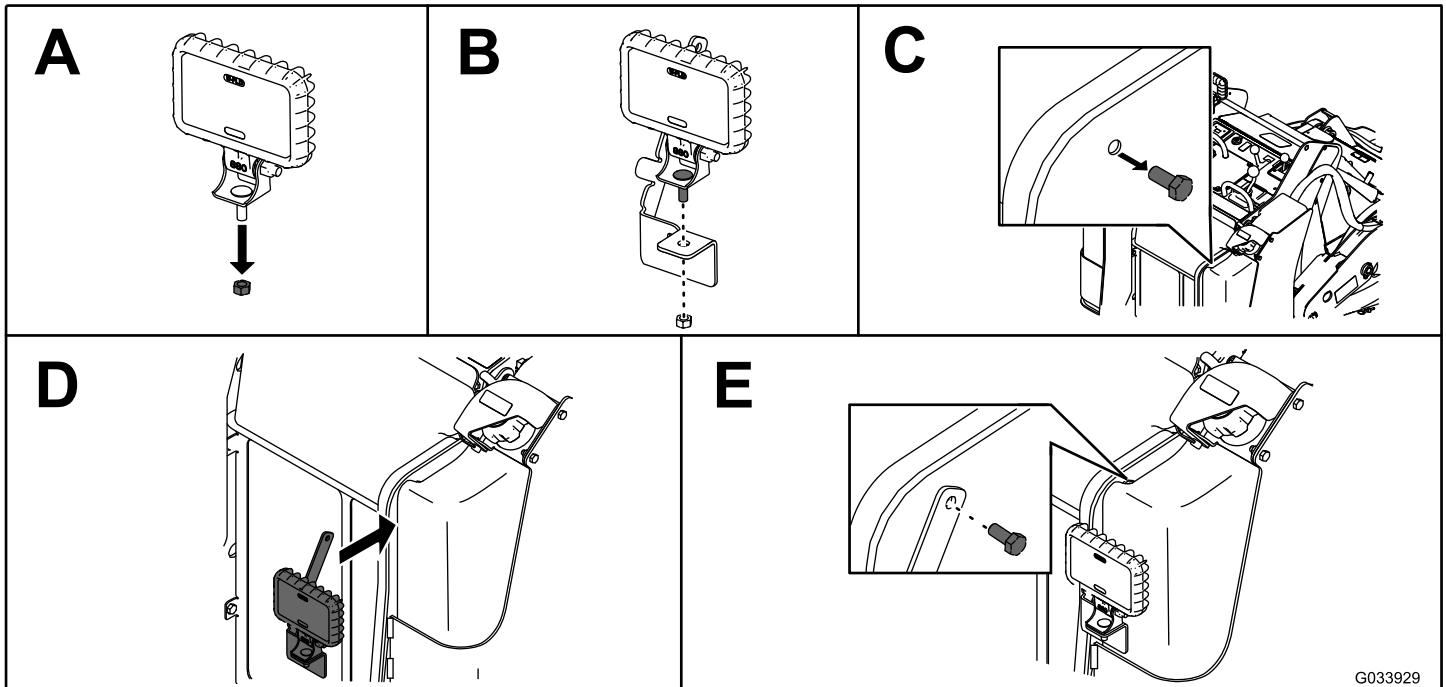


x 1



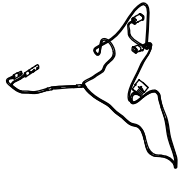
x 1

G033928

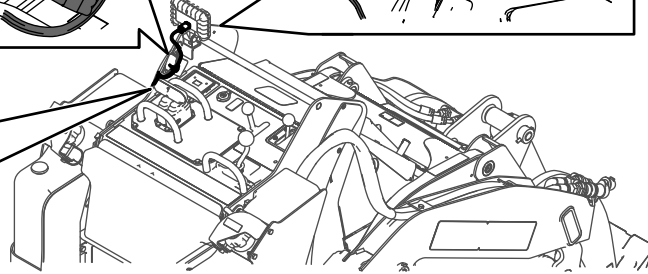
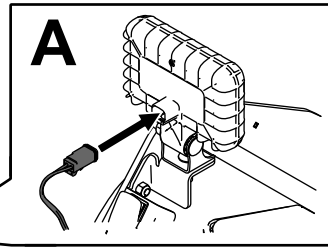
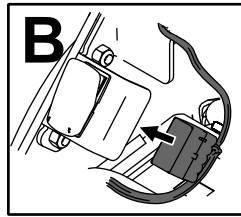
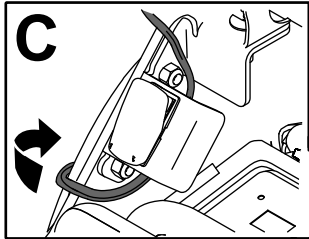


# Routing the Wire Harness

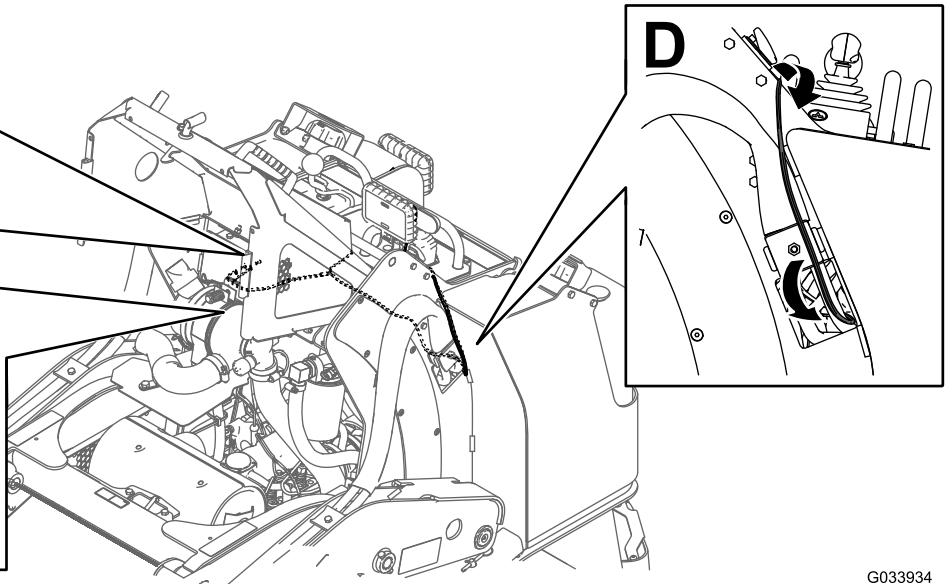
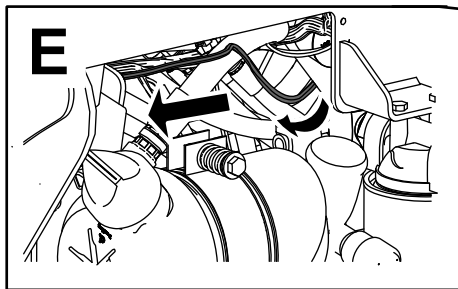
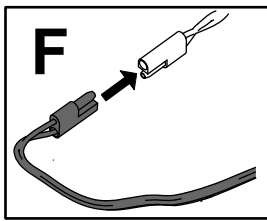
Follow Steps A through H



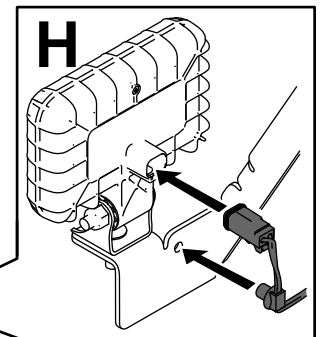
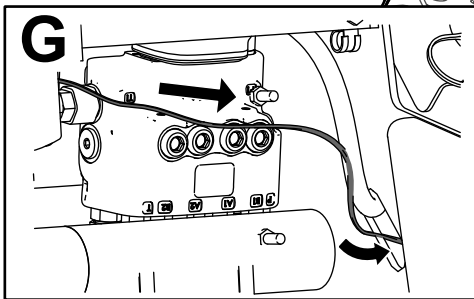
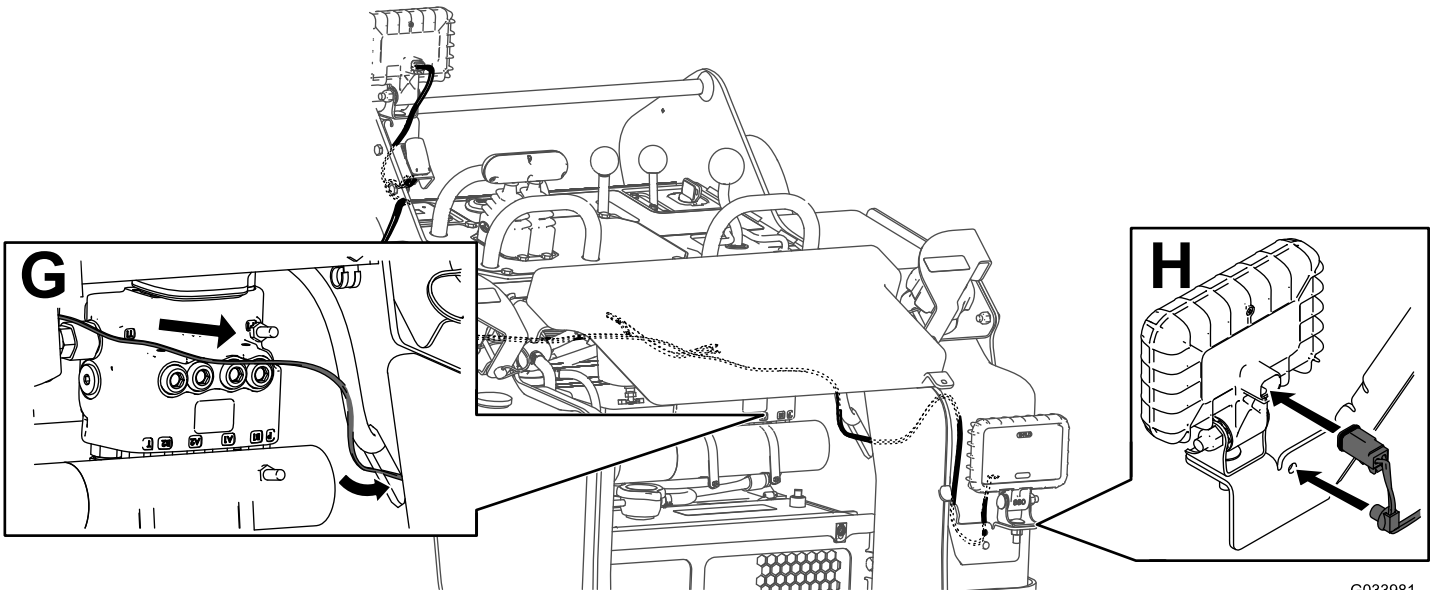
x1



G033930

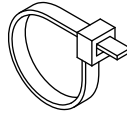


G033934

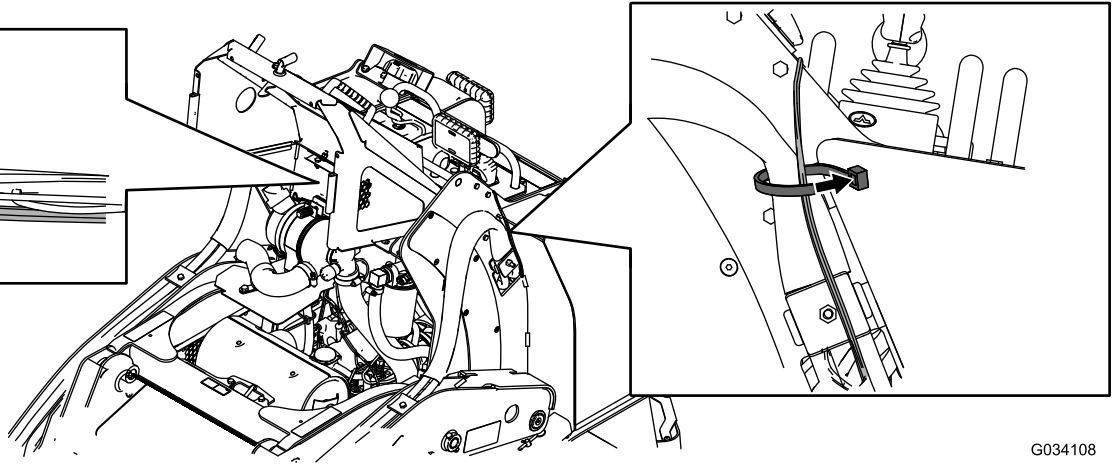
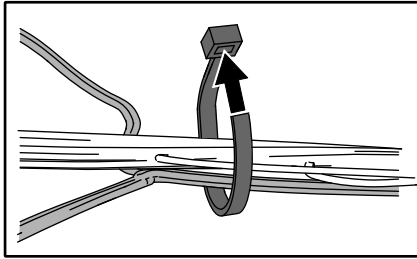


G033981

# Securing the Wire Harness



x2



G034108

# Installing the Reflectors

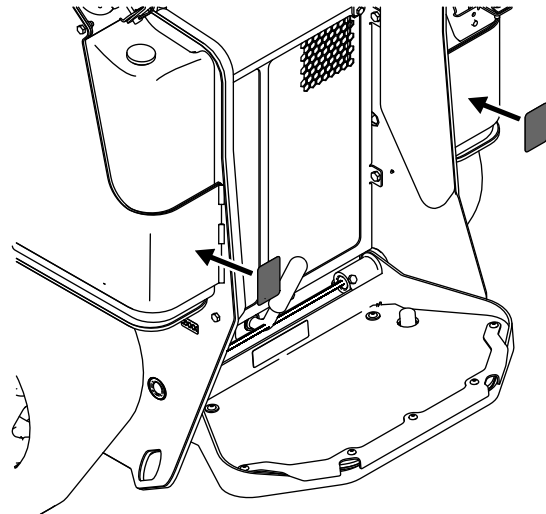
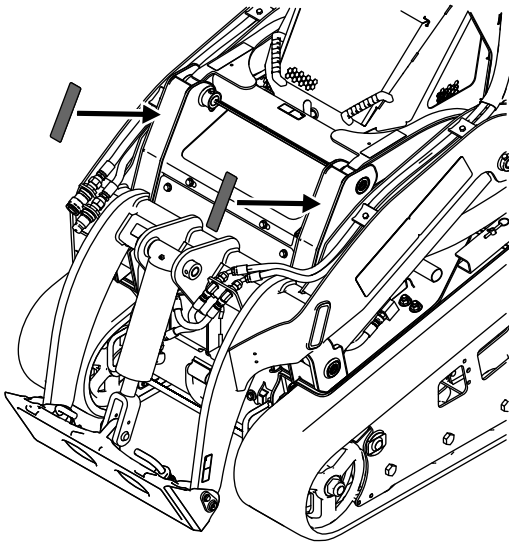


x 2



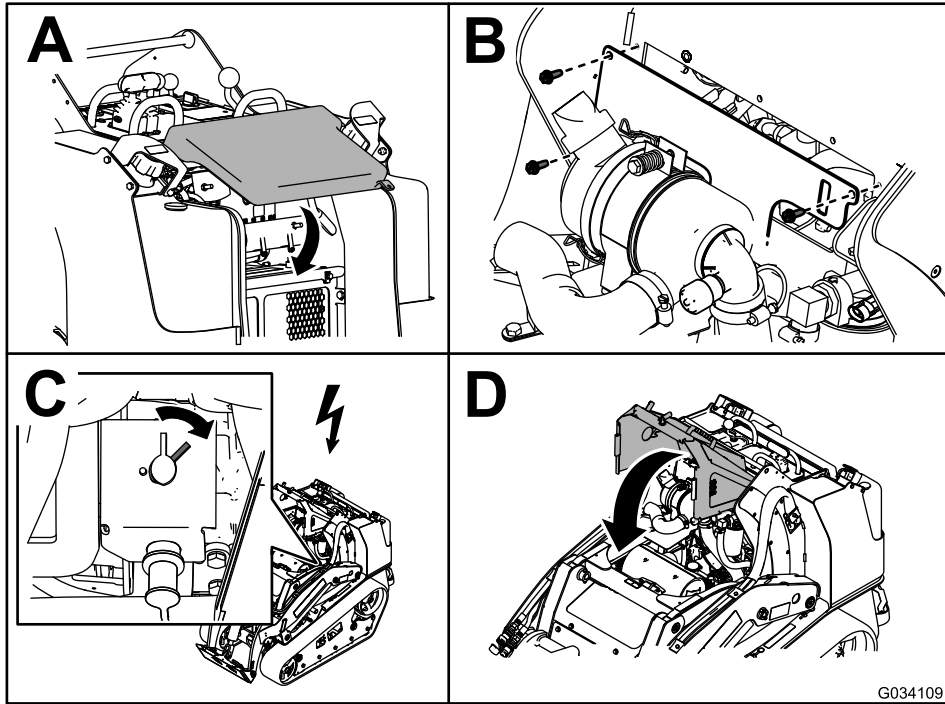
x 2

G033982



G033983

# Completing the Installation



**Notes:**

**Notes:**



**Count on it.**