



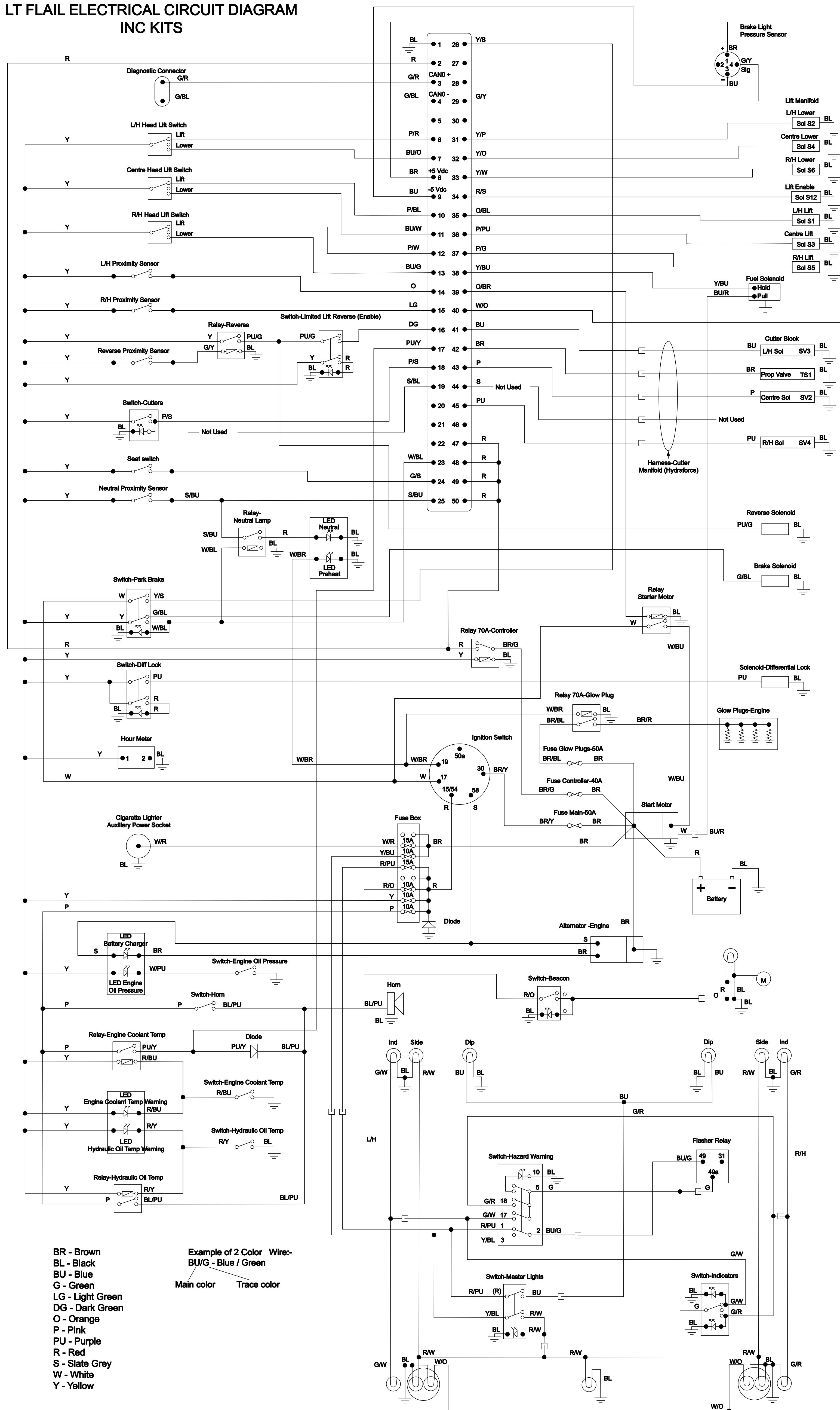
LT-F3000 Heavy-Duty Triple Turf Flail Mower

Model No. 30659—Serial No. 31600001 and Up

Electrical Schematic

Model No. 30659
111-9629 Rev A
1 of 1

LT FLAIL ELECTRICAL CIRCUIT DIAGRAM INC KITS



BR - Brown
 BL - Black
 BU - Blue
 G - Green
 LG - Light Green
 DG - Dark Green
 O - Orange
 P - Pink
 PU - Purple
 R - Red
 S - Slate Grey
 W - White
 Y - Yellow

Example of 2 Color Wire:-
 BU/G - Blue / Green
 Main color Trace color

ALL DIMENSIONS IN METRIC